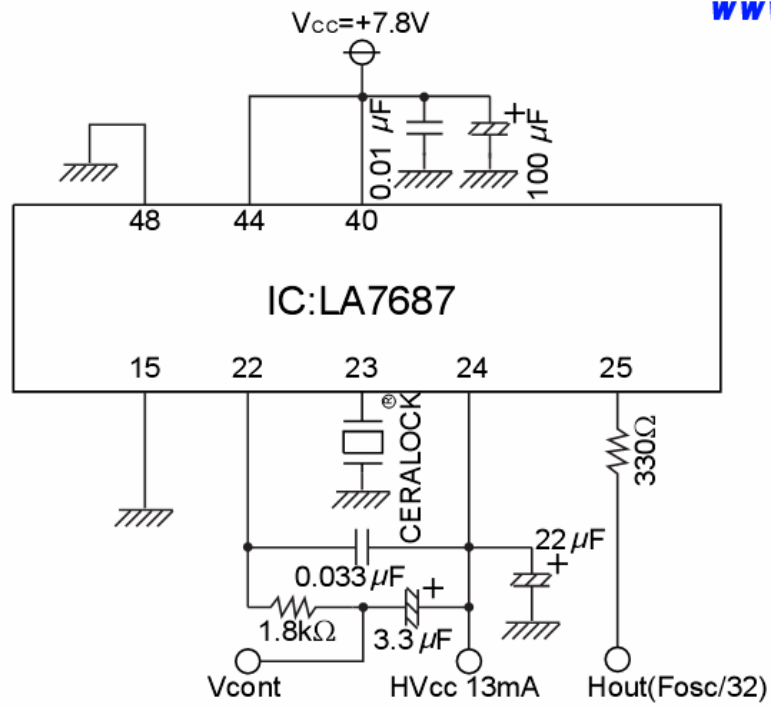


# Application to LA7687 (SANYO) (TV Horizontal Synthesizer Circuit)

[www.DataSheet4U.com](http://www.DataSheet4U.com)



Recommendable Value  
CERALOCK® : CSB500F55