

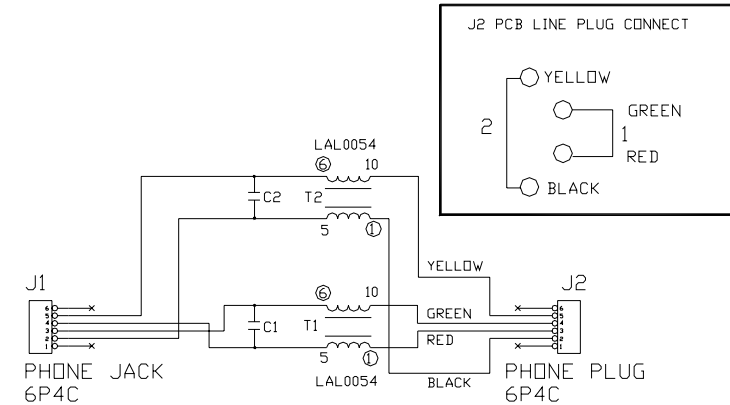
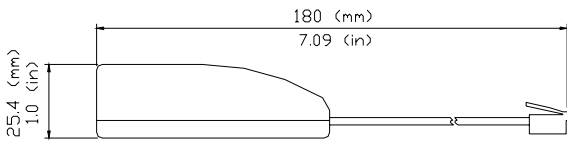
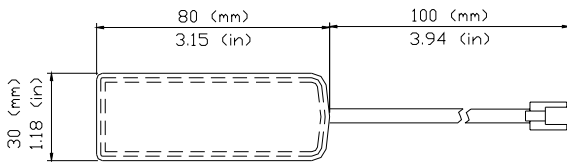
MICRO FILTER

FEATURES

- COMPLIANT WITH UL1950 & 94V-0
- OPERATION TEMPERATURE FOM -10°C TO +70°C
- DESIGNED FOR FCC APPROVALS
- 2-LINE MICROFILTER



DIMENSIONS [m / m]



CONNECTOR DATA

FUNCTION	TYPE	PIN/No.
PHONE 1	RJ11 (J)	3/4
PHONE 2	RJ11 (J)	2/5
LINE 1	RJ11 (P)	3/4
LINE 2	RJ11 (P)	2/5

ELECTRICAL SPECIFICATIONS @ 25°C

PARAMETER	CONDITION	UNIT	MIN	TYP	MAX
LOW PASS FILTER ORDER					
ATTENUATION	25KHz	dB	50		
ATTENUATION	50KHz	dB	60		
CUT OFF FREQUENCY	8KHz	dB		3	
ATTENUATION DISTORTION	0.2-3.4KHz	dB	-0.5		0.5
ATTENUATION DISTORTION	0.2-4KHz	dB	-1		1.0
INSERTION LOSS	1004Hz	dB			1.0
LONGITUDINAL BALANCE	0.2-3KHz	dB	54		
DCR	Each line	ohm			12.0
RETURN LOSS	0.3K-3.4KHz	dB	18		
TIP & RING TO GROUND DCR		Mohm	5		
DC CURRENT CARRYING CAPACITY		mA			110
DELAY DISTORTION	0.6-3.2KHz	usec			200
DELAY DISTORTION	0.2-4kKHz	usec			250
OFF-HOOK IMPEDANCE (VOICE BAND)	0.3K-3.4KHz	ohm		600	
IMPEDANCE WITHIN ADSL FREQUENCY	ADSL band	Kohms	3.5		
OPEN CIRCUIT IMPEDANCE		Kohms	100		

NOTE

www.linkcom.com.tw For more information, please contact with: sales@linkcom.com.tw