

---

---

**2/3-Port EtherCAT® Device Controller with Integrated PHYs  
& SAM E53J 32-bit ARM® Cortex®-M4F MCU**

---

---

**Highlights**

- 2/3-port EtherCAT® device controller with 8 Fieldbus Memory Management Units (FMMUs) and 8 SyncManagers
- Integrated ARM Cortex-M4F MCU with 1 Msps 12-bit ADC, SQSPI, USB LS/Fs Host and Device, Ethernet MAC, and PTC
- Integrated EtherCAT PHYs with HP Auto-MDIX
- EtherCAT cable diagnostic support

**Target Applications**

- Motor Motion Control
- Process/Factory Automation
- Communication Modules, Interface Cards
- Sensors
- Hydraulic & Pneumatic Valve Systems
- Operator Interfaces

**Key Benefits**

- **Microchip SAM E53J ARM Cortex-M4F**
  - Memories
    - 1 MB/512 KB/256 KB in-system programmable flash
    - 256 KB /192 KB/128 KB SRAM main memory
  - System
    - Power-on Reset (POR) and Brown-out detection
    - Internal and external clock options
  - Power Supply
    - Idle, Standby, Hibernate, Backup, and Off sleep modes
    - SleepWalking peripherals
    - Embedded Buck/LDO regulator
  - Peripherals
    - 32-channel Direct Memory Access Controller (DMAC)
    - SD/MMC Host Controller (SDHC)
    - Quad I/O Serial Peripheral Interface (QSPI)
    - 10/100 Ethernet MAC with 1588 PTP/TSU
    - Full-Speed USB 2.0 interface
    - 32-channel Event System
    - Dual 1 MSPS 12-bit ADCs and DACs
    - Peripheral Touch Controller (PTC)

**• Microchip LAN9253 2/3-Port EtherCAT Device**

- Integrated 100Mbps Ethernet transceivers
    - Compliant with IEEE 802.3/802.3u (Fast Ethernet)
    - Signal Quality Index diagnostics
    - Loop-back modes
    - Automatic polarity detection and correction
    - HP Auto-MDIX
    - Compatible with EtherCAT P
  - EtherCAT device controller
    - Supports 8 FMMUs
    - Supports 8 SyncManagers
    - Distributed clock support allows synchronization with other EtherCAT devices
    - 8K bytes of DPRAM
  - Host Bus Interface
    - SPI / SQI (Quad SPI) support at up to 60MHz
  - 3rd port for flexible network configurations
  - Comprehensive power management features
    - 3 power-down levels
    - Wake on link status change (energy detect)
    - Magic packet wakeup, Wake on LAN (WoL), wake on broadcast, wake on perfect DA
    - Wakeup indicator event signal
  - Power and I/O
    - Integrated power-on reset circuit
    - Latch-up performance exceeds 150mA per EIA/JESD78, Class II
    - JEDEC Class 3A ESD performance
    - Single 3.3V power supply (integrated 1.2V regulator)
    - Option for external power supplies
    - Local host allowed to enter sleep mode until addressed by EtherCAT Host
  - Additional Features
    - EEPROM emulation
    - Enhanced EtherCAT cycle time
    - Transformer-less link support
    - Multifunction GPIOs
    - Ability to use low cost 25MHz crystal for reduced BOM
    - 25MHz clock output for reference clock daisy chaining
- **Packaging**
    - Pb-free RoHS compliant 128-pin TQFP (14mm x 14mm, 0.4mm pitch)
  - **Environmental**
    - Commercial (0°C to +70°C)
    - Industrial (-40°C to +85°C)
    - Extended industrial (-40°C to +105°C)

## TO OUR VALUED CUSTOMERS

It is our intention to provide our valued customers with the best documentation possible to ensure successful use of your Microchip products. To this end, we will continue to improve our publications to better suit your needs. Our publications will be refined and enhanced as new volumes and updates are introduced.

If you have any questions or comments regarding this publication, please contact the Marketing Communications Department via E-mail at [docerrors@microchip.com](mailto:docerrors@microchip.com). We welcome your feedback.

### Most Current Documentation

To obtain the most up-to-date version of this documentation, please register at our Worldwide Web site at:

<http://www.microchip.com>

You can determine the version of a data sheet by examining its literature number found on the bottom outside corner of any page. The last character of the literature number is the version number, (e.g., DS30000000A is version A of document DS30000000).

### Errata

An errata sheet, describing minor operational differences from the data sheet and recommended workarounds, may exist for current devices. As device/documentation issues become known to us, we will publish an errata sheet. The errata will specify the revision of silicon and revision of document to which it applies.

To determine if an errata sheet exists for a particular device, please check with one of the following:

- Microchip's Worldwide Web site; <http://www.microchip.com>
- Your local Microchip sales office (see last page)

When contacting a sales office, please specify which device, revision of silicon and data sheet (include -literature number) you are using.

### Customer Notification System

Register on our web site at [www.microchip.com](http://www.microchip.com) to receive the most current information on all of our products.

## Table of Contents

1.0 Preface .....	4
2.0 Introduction .....	5
3.0 LAN9255 Device Specifications .....	6
4.0 Pin Configuration .....	8
5.0 Package Information .....	16
Appendix A: Revision History .....	19
The Microchip Web Site .....	20
Customer Change Notification Service .....	20
Customer Support .....	20
Product Identification System .....	21

# LAN9255

---

## 1.0 PREFACE

### 1.1 References

- Microchip LAN9253 Data Sheet: <https://www.microchip.com/wwwproducts/en/LAN9253>
- Microchip SAM E53J Data Sheet: <http://ww1.microchip.com/downloads/en/DeviceDoc/60001507E.pdf>

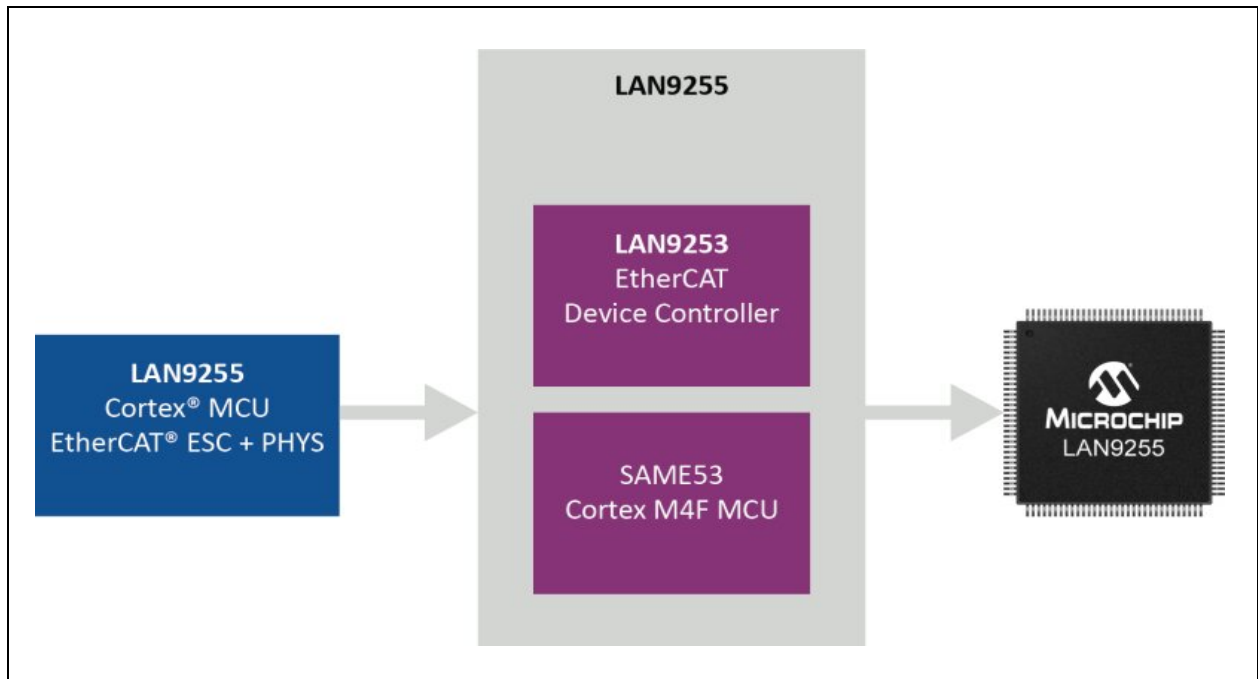
## 2.0 INTRODUCTION

The LAN9255 is a System-In-Package (SIP) design that combines the Microchip LAN9253 2/3-port EtherCAT device controller with dual integrated Ethernet PHYs and the Microchip SAM E53J ARM Cortex-M4F MCU into a single 128-pin TQFP package.

The LAN9255 is available in commercial (0°C to +70°C), industrial (-40°C to +85°C), and extended industrial (-40°C to +105°C) temperature ranges. A block diagram of the LAN9255 is provided in [Figure 2-1](#).

Details on each integrated device (LAN9253 & SAM E53J) can be referenced via their respective data sheets, as outlined in [Section 1.1, References](#). Any device specific details outside of those detailed in the respective data sheets are provided in [Section 3.0, LAN9255 Device Specifications](#). Pinout information for the LAN9255 is detailed in [Section 4.0, Pin Configuration](#).

**FIGURE 2-1: LAN9255 BLOCK DIAGRAM**



# LAN9255

## 3.0 LAN9255 DEVICE SPECIFICATIONS

This section details device specifications that are unique to the LAN9255 and/or supersede those included in the LAN9253 and SAM E53J data sheets.

### 3.1 Optimal Interfacing between LAN9253 and SAM E53J

The following guidelines will provide optimal interfacing between the internal LAN9253 and SAM E53J die.

- The following connections are required between die for SPI/QSPI operation:

**TABLE 3-1: SPI/QSPI CONNECTIONS**

SPI Function	LAN9253 Pins	SAM E53J Pins
SCK	41	40
SCS#	101	42
SIO0	38	33
SIO1	26	34
SIO2	24	35
SIO3	71	36

- ESC EEPROM connected to the LAN9253 is optional
- Refer to the LAN9253 Data Sheet for information on configuration straps required to enable EEPROM emulation
- The 25MHz clock from the LAN9253 may be optionally used to feed the SAM E53J

### 3.2 Optimal EtherCAT Interfacing

- The EtherCAT RUN and EtherCAT ERROR LEDs can be used. Refer to the LAN9253 Data Sheet for additional information.

#### 3.2.1 IMPLEMENTING ETHERNET

**TABLE 3-2: RMII INTERFACE**

RMII Function	Pin Name	LAN9255 Pin Number
TXEN	PA17	68
TXD0	PA18	69
TXD1	PA19	73
RXDV	PA16	67
RXD0	PA13	62
RXD1	PA12	61
RXER	PA15	64
MDIO	PA21	87
MDC	PA20	84

### 3.3 Device ID

- The LAN9255 provides a dedicated device ID returned by the integrated SAM E53J. This enables developers to distinguish between discrete SAM E53J implementations and those with the LAN9255. A list of the Device IDs for the various ordering options is detailed in [Table 3-3](#).
- The integrated LAN9253 returns its normal device ID.

**TABLE 3-3: DEVICE ID**

CPP Number	Temp/MEM Size	UNG Part ID
LAN9255-V/ZMX020	105°C 1024k Memory	0x61830355
LAN9255-I/ZMX020	85°C 1024k Memory	0x61830355
LAN9255/ZMX020	70°C 1024k Memory	0x61830355
LAN9255-V/ZMX019	105°C 512k Memory	0x61830356
LAN9255-I/ZMX019	85°C 512k Memory	0x61830356
LAN9255/ZMX019	70°C 512k Memory	0x61830356
LAN9255-V/ZMX018	105°C 256k Memory	0x61830357
LAN9255-I/ZMX018	85°C 256k Memory	0x61830357
LAN9255/ZMX018	70°C 256k Memory	0x61830357

### 3.4 Extended Temperature Operation

As also noted in the LAN9253 Data Sheet, for the extended industrial temperature range option, the following restrictions apply:

- Internal regulator disabled
- 2.5V (typical) Ethernet magnetics voltage required

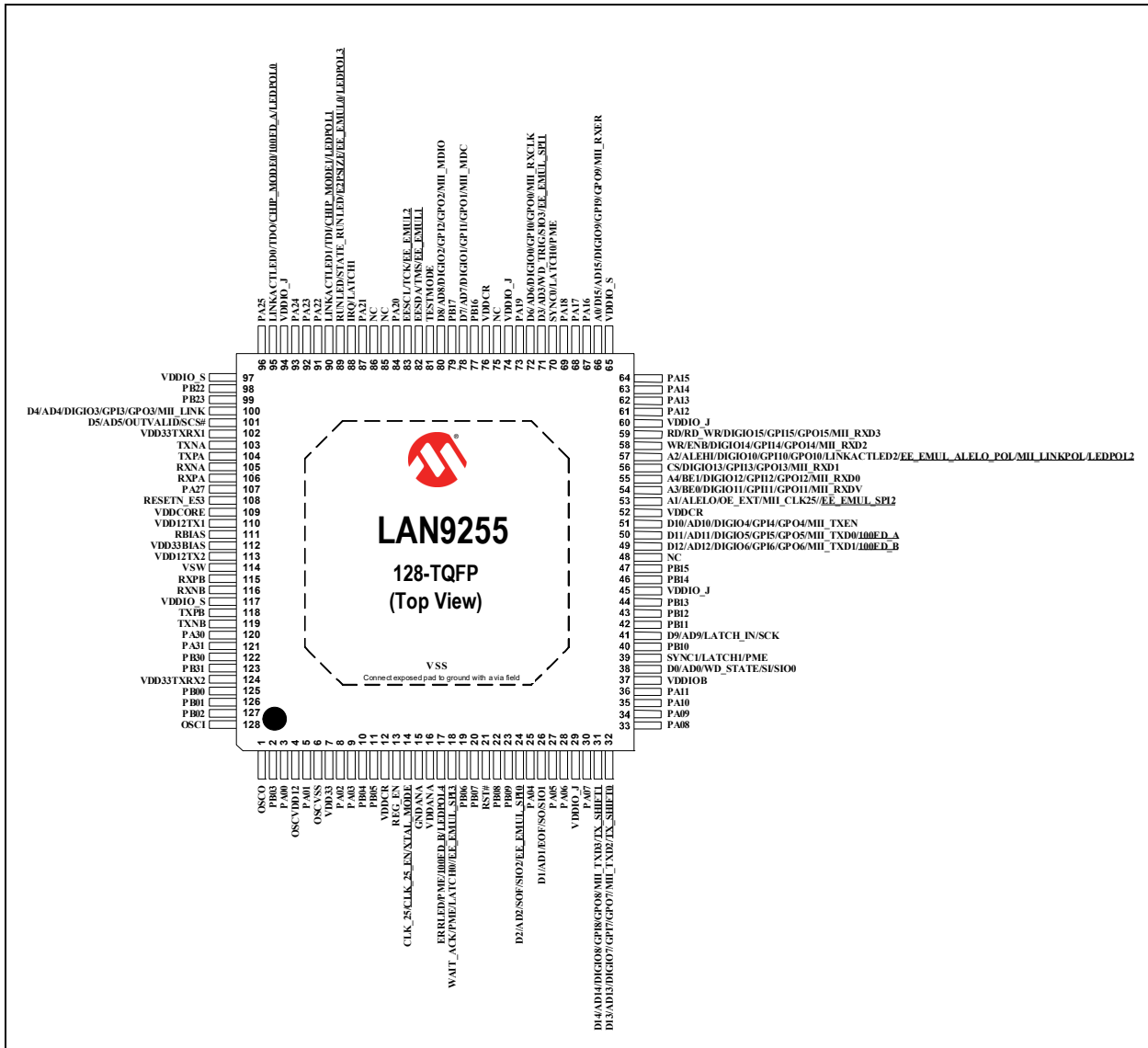
# LAN9255

## 4.0 PIN CONFIGURATION

This section provides pin assignment information for the LAN9255. Pin descriptions for the various LAN9253 and SAM E53J functions should be referenced in their respective data sheets, as detailed in [Section 1.1, References](#).

### 4.1 Pin Assignments

**FIGURE 4-1: PIN ASSIGNMENTS (TOP VIEW)**



**Note:** When a “#” is used at the end of the signal name, it indicates that the signal is active low. For example, RST# indicates that the reset signal is active low. Configuration straps are identified by an underlined symbol name.



Table 4-1 details the pin assignments in table format. As shown, select pin functions may change based on the device's mode of operation. For modes where a specific pin has no function, the table cell will be marked with "-". The source die and original source die pin number for each signal is also provided.

**TABLE 4-1: LAN9255 PIN ASSIGNMENTS**

LAN9255 Pin Number	HBI Indexed Mode Pin Name	HBI Multiplexed Mode Pin Name	SPI with GPIO Mode Pin Name	SPI with MII Mode Pin Name	Digital I/O Mode Pin Name	Source Die	Source Die Pin
1	OSCO					LAN9253	2
2	PB03					SAM E53J	64
3	PA00					SAM E53J	1
4	OSCVDD12					LAN9253	3
5	PA01					SAM E53J	2
6	OSCVSS					LAN9253	4
7	VDD33					LAN9253	5
8	PA02					SAM E53J	3
9	PA03					SAM E53J	4
10	PB04					SAM E53J	5
11	PB05					SAM E53J	6
12	VDDCR					LAN9253	6
13	REG_EN					LAN9253	7
14	CLK_25/CLK_25_EN/XTAL_MODE					LAN9253	8
15	GNDANA					SAM E53J	7
16	VDDANA					SAM E53J	8
17	ERRLED/PME/100FD_B/LEDPOL4			ERRLED/PME/LEDPOL4	ERRLED/100FD_B/LEDPOL4	LAN9253	9
18	WAIT_ACK/PME	WAIT_ACK/PME/EE_EMUL_SPI3		LATCH0		LAN9253	10
19	PB06					SAM E53J	9
20	PB07					SAM E53J	10
21	RST#					LAN9253	11
22	PB08					SAM E53J	11
23	PB09					SAM E53J	12
24	D2	AD2	SIO2/EE_EMUL_SPI0		SOF	LAN9253	12
25	PA04					SAM E53J	13
26	D1	AD1	SO/SIO1		EOF	LAN9253	13
27	PA05					SAM E53J	14
28	PA06					SAM E53J	15
29	VDDIO_J					LAN9253	14
30	PA07					SAM E53J	16

# LAN9255

TABLE 4-1: LAN9255 PIN ASSIGNMENTS (CONTINUED)

LAN9255 Pin Number	HBI Indexed Mode Pin Name	HBI Multiplexed Mode Pin Name	SPI with GPIO Mode Pin Name	SPI with MII Mode Pin Name	Digital I/O Mode Pin Name	Source Die	Source Die Pin
31	D14	AD14	GPI8/GPO8	MII_TXD3/ <u>TX_SHIFT1</u>	DIGIO8	LAN9253	15
32	D13	AD13	GPI7/GPO7	MII_TXD2/ <u>TX_SHIFT0</u>	DIGIO7	LAN9253	16
33	PA08					SAM E53J	17
34	PA09					SAM E53J	18
35	PA10					SAM E53J	19
36	PA11					SAM E53J	20
37	VDDIOB					SAM E53J	21
38	D0	AD0	SI/SIO0		WD_STATE	LAN9253	17
39	SYNC1/LATCH1/PME				SYNC1/ LATCH1	LAN9253	18
40	PB10					SAM E53J	23
41	D9	AD9	SCK		LATCH_IN	LAN9253	19
42	PB11					SAM E53J	24
43	PB12					SAM E53J	25
44	PB13					SAM E53J	26
45	VDDIO_J					LAN9253	20
46	PB14					SAM E53J	27
47	PB15					SAM E53J	28
48	NC					N/A	N/A
49	D12	AD12	GPI6/GPO6	MII_TXD1/ <u>100FD_B</u>	DIGIO6	LAN9253	21
50	D11	AD11	GPI5/GPO5	MII_TXD0/ <u>100FD_A</u>	DIGIO5	LAN9253	22
51	D10	AD10	GPI4/GPO4	MII_TXEN	DIGIO4	LAN9253	23
52	VDDCR					LAN9253	24
53	A1	ALELO	-	MII_CLK25/ <u>EE_EMUL_S</u> <u>PI2</u>	OE_EXT	LAN9253	25
54	A3	BE0	GPI11/GPO11	MII_RXDV	DIGIO11	LAN9253	26
55	A4	BE1	GPI12/ GPO12	MII_RXD0	DIGIO12	LAN9253	27
56	CS		GPI13/ GPO13	MII_RXD1	DIGIO13	LAN9253	28

**TABLE 4-1: LAN9255 PIN ASSIGNMENTS (CONTINUED)**

LAN9255 Pin Number	HBI Indexed Mode Pin Name	HBI Multiplexed Mode Pin Name	SPI with GPIO Mode Pin Name	SPI with MII Mode Pin Name	Digital I/O Mode Pin Name	Source Die	Source Die Pin
57	A2	ALEHI/ <u>EE_EMUL_A</u> <u>LELO_POL</u>	GPI10/ GPO10	LINKACT- LED2/ <u>MII_LINK-</u> <u>POL/LED-</u> <u>POL2</u>	DIGIO10	LAN9253	29
58	WR/ENB		GPI14/ GPO14	MII_RXD2	DIGIO14	LAN9253	30
59	RD/RD_WR		GPI15/ GPO15	MII_RXD3	DIGIO15	LAN9253	31
60	VDDIO_J					LAN9253	32
61	PA12					SAM E53J	29
62	PA13					SAM E53J	30
63	PA14					SAM E53J	31
64	PA15					SAM E53J	32
65	VDDIO_S					SAM E53J	34
66	A0/D15	AD15	GPI9/GPO9	MII_RXER	DIGIO9	LAN9253	33
67	PA16					SAM E53J	35
68	PA17					SAM E53J	36
69	PA18					SAM E53J	37
70	SYNC0/LATCH0/PME				SYNC0/ LATCH0	LAN9253	34
71	D3	AD3	<u>SIO3/EE_EMUL_SPI</u>		WD_TRIG	LAN9253	35
72	D6	AD6	GPI0/GPO0	MII_RXCLK	DIGIO0	LAN9253	36
73	PA19					SAM E53J	38
74	VDDIO_J					LAN9253	37
75	NC					N/A	N/A
76	VDDCR					LAN9253	38
77	PB16					SAM E53J	39
78	D7	AD7	GPI1/GPO1	MII_MDC	DIGIO1	LAN9253	39
79	PB17					SAM E53J	40
80	D8	AD8	GPI2/GPO2	MII_MDIO	DIGIO2	LAN9253	40
81	TESTMODE					LAN9253	41
82	<u>EESDA/TMS/EE_EMUL1</u>				EESDA/TMS	LAN9253	42
83	<u>EESCL/TCK/EE_EMUL2</u>				EESCL/TCK	LAN9253	43
84	PA20					SAM E53J	41
85	NC					N/A	N/A
86	NC					N/A	N/A

# LAN9255

TABLE 4-1: LAN9255 PIN ASSIGNMENTS (CONTINUED)

LAN9255 Pin Number	HBI Indexed Mode Pin Name	HBI Multiplexed Mode Pin Name	SPI with GPIO Mode Pin Name	SPI with MII Mode Pin Name	Digital I/O Mode Pin Name	Source Die	Source Die Pin
87	PA21					SAM E53J	42
88	IRQ				LATCH1	LAN9253	44
89	RUNLED/STATE_RUNLED/ <u>E2PSIZE/EE_EMUL0/LEDPOL3</u>				RUNLED/ STATE_RUN- LED/ <u>E2PSIZE/</u> <u>LEDPOL3</u>	LAN9253	45
90	LINKACTLED1/TDI/ <u>CHIP_MODE1/LEDPOL1</u>					LAN9253	46
91	PA22					SAM E53J	43
92	PA23					SAM E53J	44
93	PA24					SAM E53J	45
94	VDDIO_J					LAN9253	47
95	LINKACTLED0/TDO/ <u>CHIP_MODE0/100FD_A/LEDPOL0</u>		LINKACT- LED0/TDO/ <u>CHIP -</u> <u>MODE0/</u> <u>LEDPOL0</u>	LINKACT- LED0/TDO/ <u>CHIP -</u> <u>MODE0/</u> <u>100FD_A/</u> <u>LEDPOL0</u>	LAN9253	48	
96	PA25					SAM E53J	46
97	VDDIO_S					SAM E53J	48
98	PB22					SAM E53J	49
99	PB23					SAM E53J	50
100	D4	AD4	GPI3/GPO3	MII_LINK	DIGIO3	LAN9253	49
101	D5	AD5	SCS#		OUTVALID	LAN9253	50
102	VDD33TXRX1					LAN9253	51
103	TXNA					LAN9253	52
104	TXPA					LAN9253	53
105	RXNA					LAN9253	54
106	RXPA					LAN9253	55
107	PA27					SAM E53J	51
108	RESETN_E53					SAM E53J	52
109	VDDCORE					SAM E53J	53
110	VDD12TX1					LAN9253	56
111	RBIAS					LAN9253	57
112	VDD33BIAS					LAN9253	58
113	VDD12TX2					LAN9253	59
114	VSW					SAM E53J	55
115	RXPB					LAN9253	60

**TABLE 4-1: LAN9255 PIN ASSIGNMENTS (CONTINUED)**

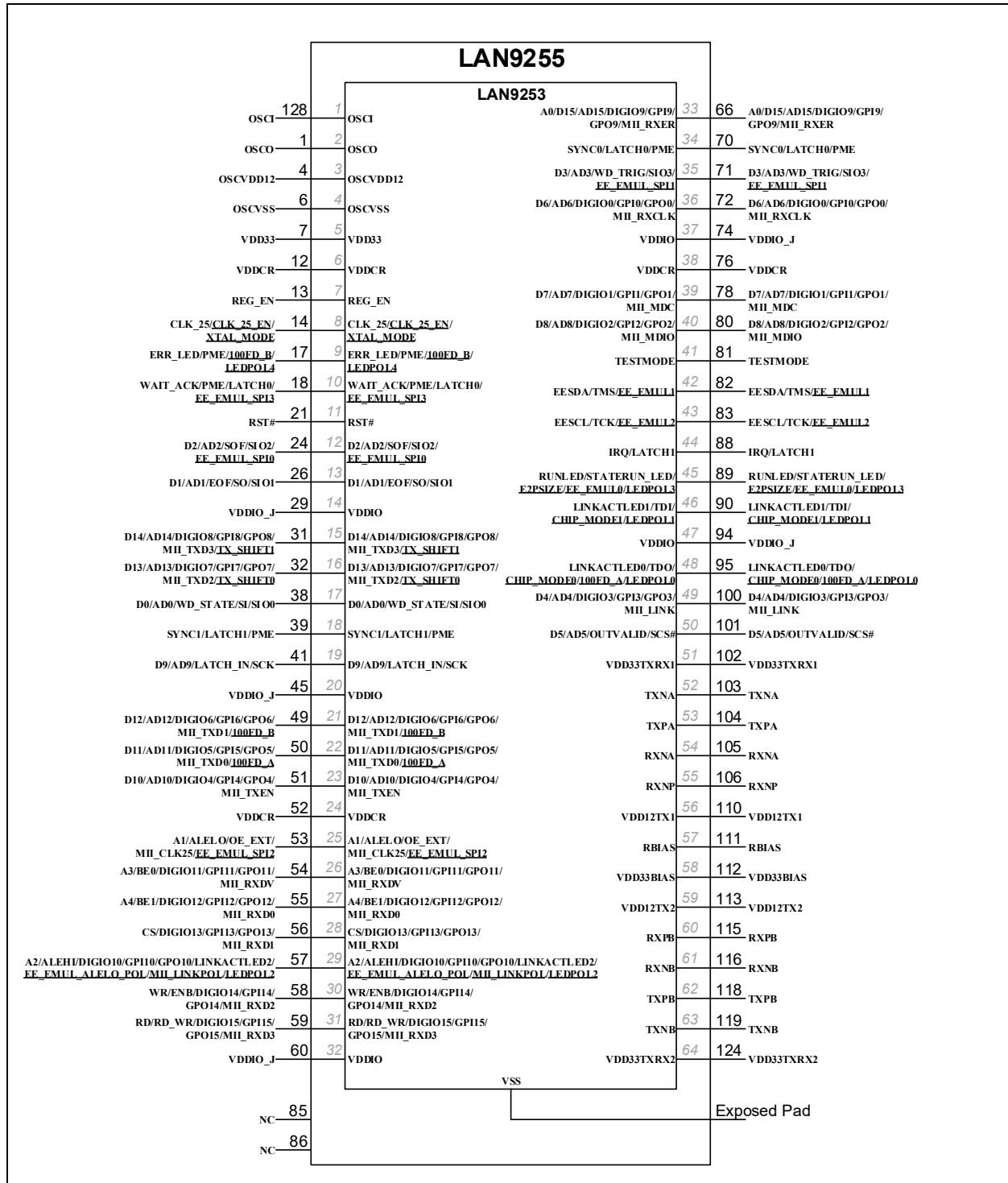
LAN9255 Pin Number	HBI Indexed Mode Pin Name	HBI Multiplexed Mode Pin Name	SPI with GPIO Mode Pin Name	SPI with MII Mode Pin Name	Digital I/O Mode Pin Name	Source Die	Source Die Pin
116	RXNB					LAN9253	61
117	VDDIO_S					SAM E53J	56
118	TXPB					LAN9253	62
119	TXNB					LAN9253	63
120	PA30					SAM E53J	57
121	PA31					SAM E53J	58
122	PB30					SAM E53J	59
123	PB31					SAM E53J	60
124	VDD33TXRX2					LAN9253	64
125	PB00					SAM E53J	61
126	PB01					SAM E53J	62
127	PB02					SAM E53J	63
128	OSCI					LAN9253	1
Exposed Pad	VSS					LAN9253	ePad
						SAM E53J	22,33,47,54

# LAN9255

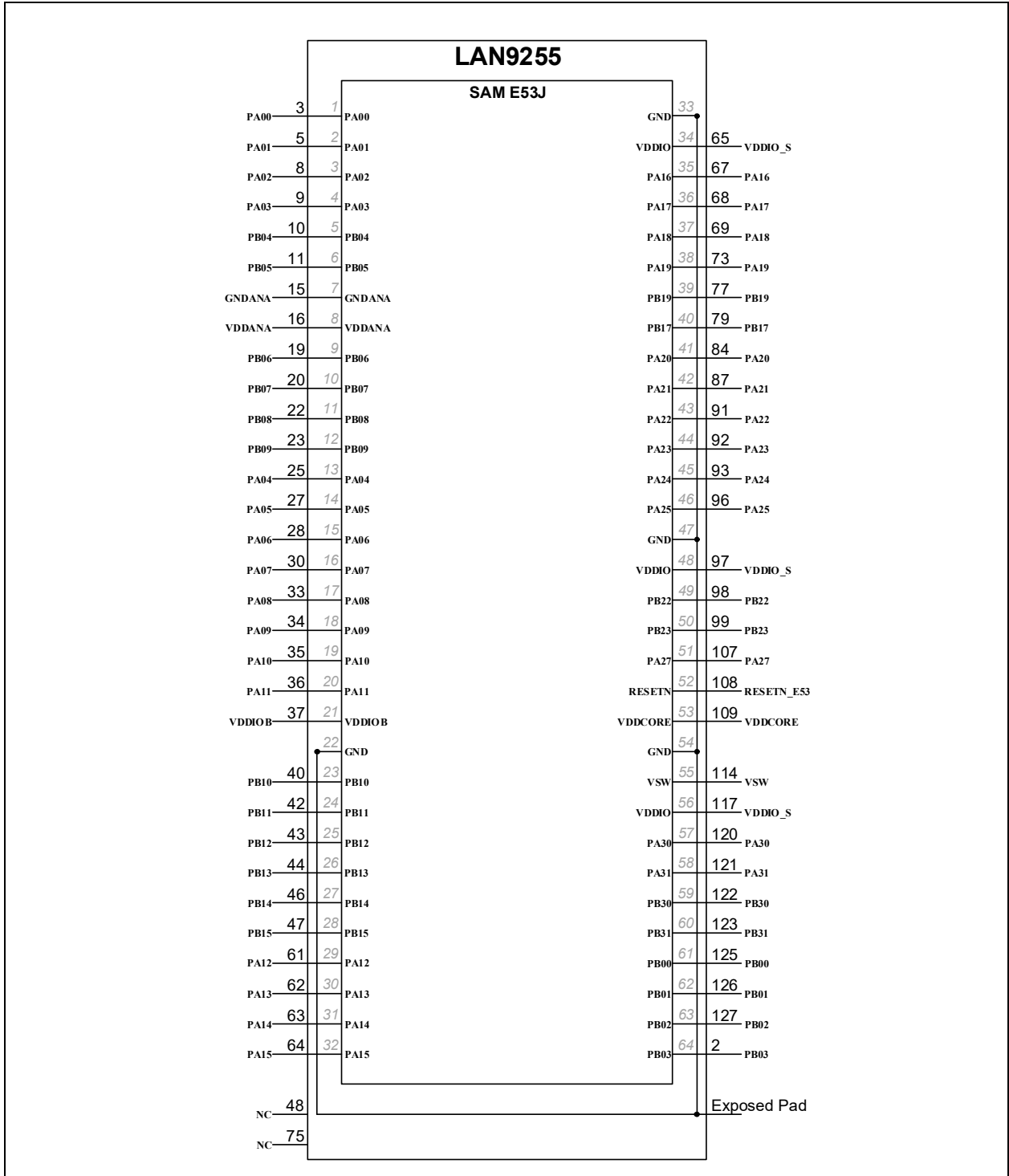
## 4.1.1 INTERNAL PIN MAPPING

Figure 4-2 and Figure 4-3 detail the LAN9255 internal pin mappings between the integrated LAN9253 and SAM E53J, respectively.

**FIGURE 4-2: LAN9253 INTERNAL PIN MAPPING**



**FIGURE 4-3: SAM E53J INTERNAL PIN MAPPING**

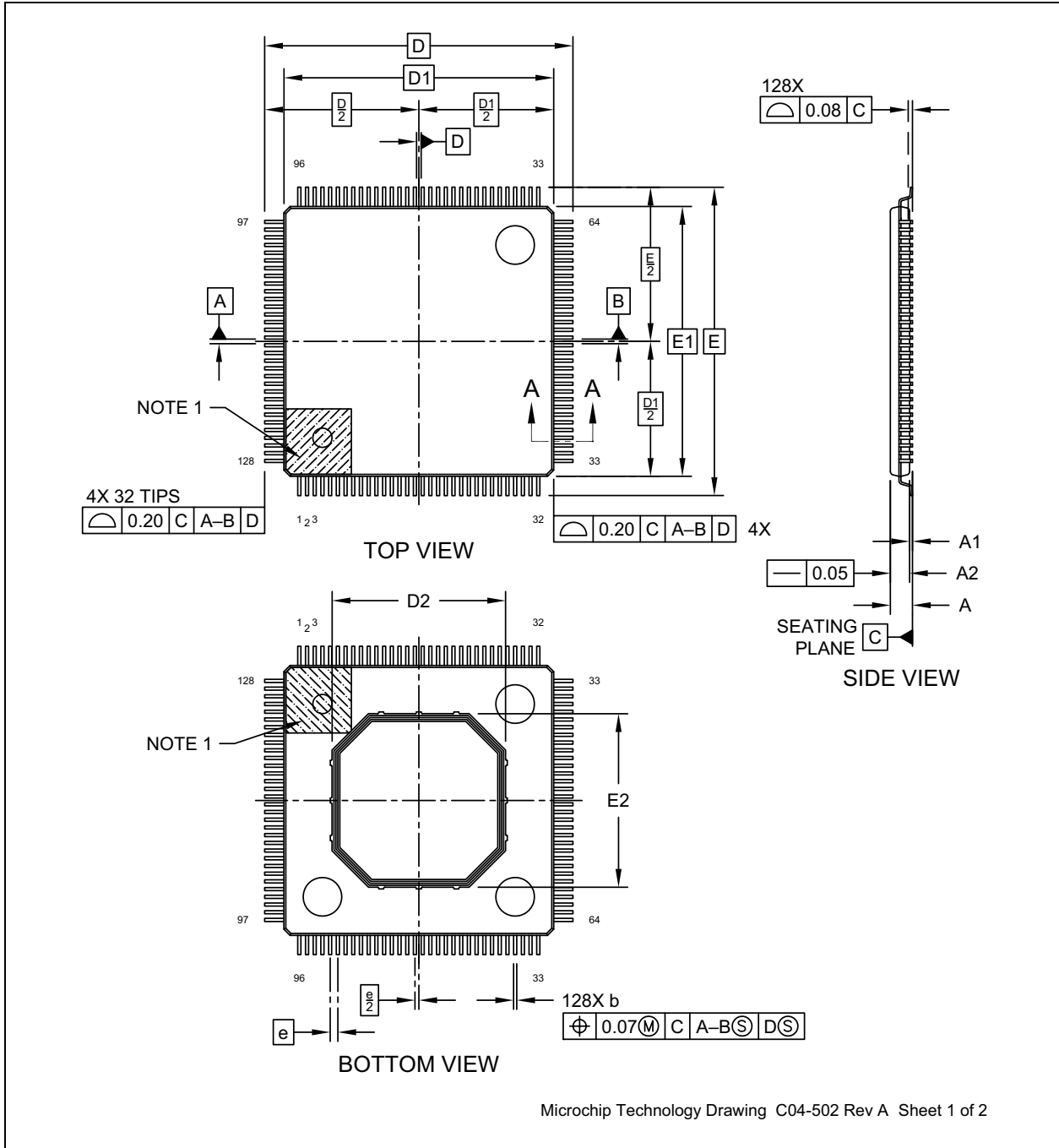


# LAN9255

## 5.0 PACKAGE INFORMATION

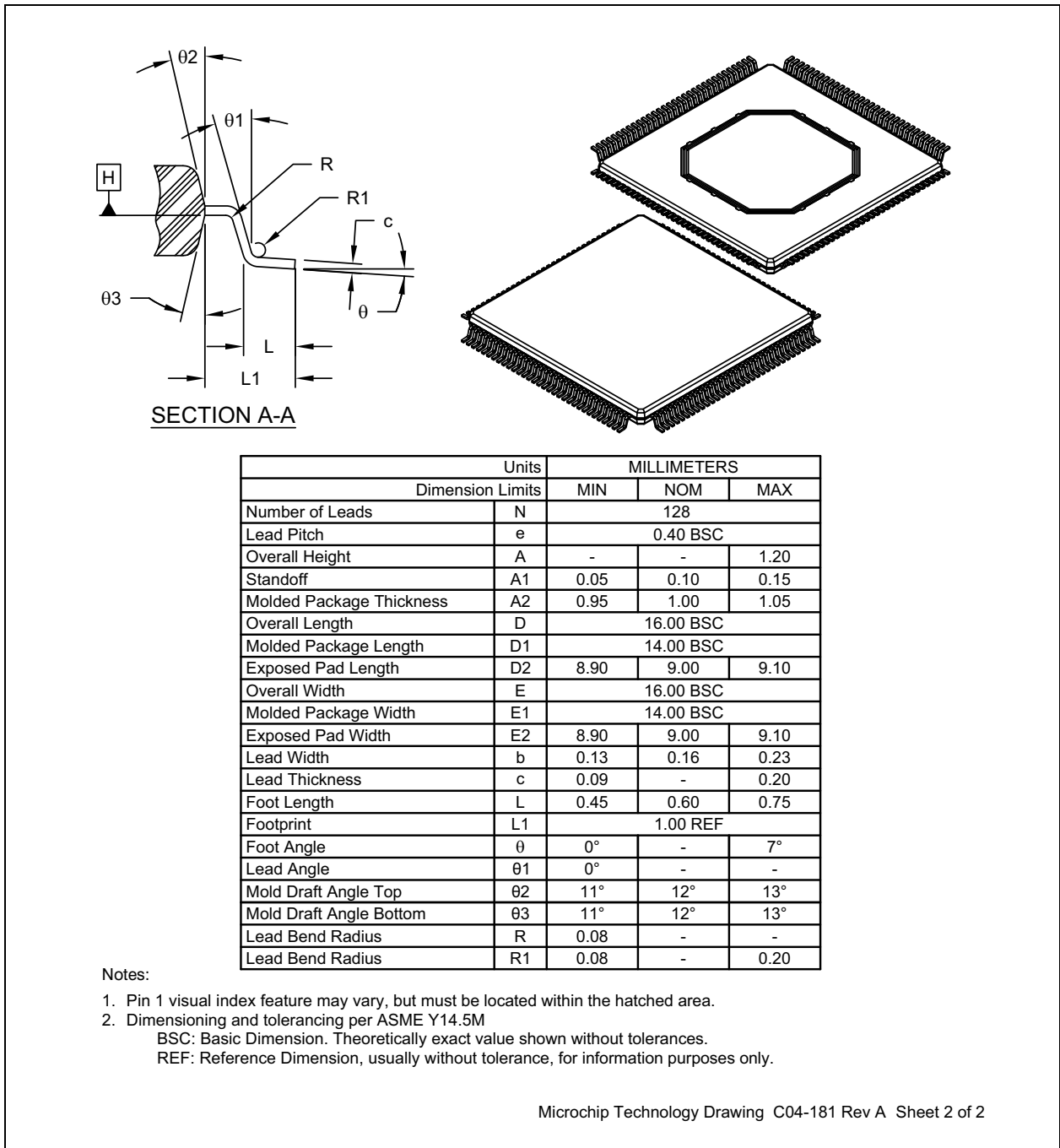
**Note:** For the most current package drawings, see the Microchip Packaging Specification at <http://www.microchip.com/packaging>.

**FIGURE 5-1: 128-TQFP PACKAGE (DRAWING)**



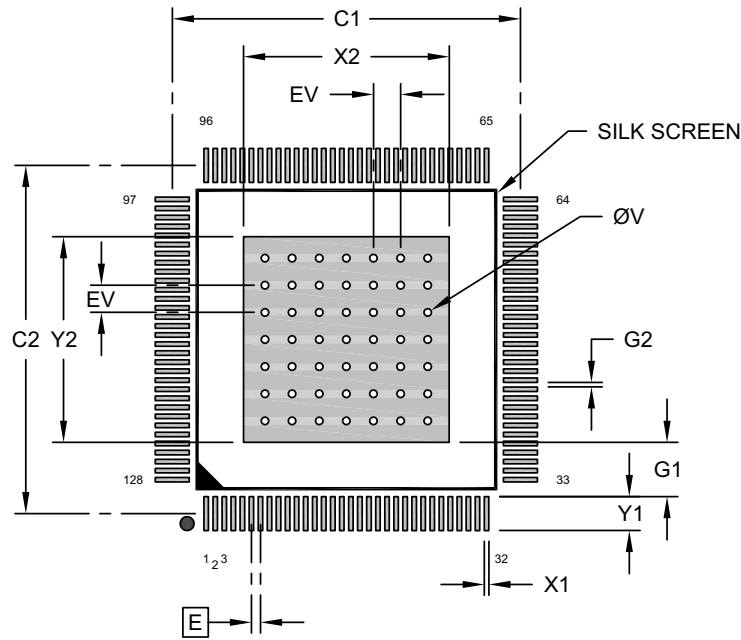


**FIGURE 5-2: 128-TQFP PACKAGE (DIMENSIONS)**



# LAN9255

FIGURE 5-3: 128-TQFP PACKAGE (LAND PATTERN)



## RECOMMENDED LAND PATTERN

Dimension Limits	Units	MILLIMETERS		
		MIN	NOM	MAX
Contact Pitch	E	0.40 BSC		
Optional Center Pad Width	X2			9.10
Optional Center Pad Length	Y2			9.10
Contact Pad Spacing	C1		15.40	
Contact Pad Spacing	C2		15.40	
Contact Pad Width (X128)	X1			0.20
Contact Pad Length (X128)	Y1			1.50
Contact Pad to Center Pad (X128)	G1	2.40		
Contact Pad to Contact Pad (X124)	G2	0.20		
Thermal Via Diameter	V		0.33	
Thermal Via Pitch	EV		1.20	

Notes:

1. Dimensioning and tolerancing per ASME Y14.5M  
BSC: Basic Dimension. Theoretically exact value shown without tolerances.
2. For best soldering results, thermal vias, if used, should be filled or tented to avoid solder loss during reflow process

Microchip Technology Drawing C04-2502 Rev A

## APPENDIX A: REVISION HISTORY

TABLE A-1: REVISION HISTORY

Revision Level	Section/Figure/Entry	Correction
DS00003646B (04-09-21)		<ul style="list-style-type: none"> <li>- Changed "EtherCAT Master" to "EtherCAT Host" in features</li> <li>- Title of <a href="#">Table 3-2</a> changed from "RGMII Interface" to "RMII Interface", first column heading changed from "RGMII Function" to "RMII Function"</li> <li>- Removed "slave" and replaced with "device" in <a href="#">Figure 2-1</a>.</li> <li>- Added the following sentence to the end of the first bullet in <a href="#">Section 3.3</a> Device ID: "A list of the Device IDs for the various ordering options is detailed in <a href="#">Table 3-3</a>, "Device ID"</li> <li>- Added <a href="#">Table 3-3</a>, "Device ID"</li> <li>- Removed "Confidential - NDA Required" nomenclature from footer.</li> </ul>
DS00003646A (09-15-20)	All	Initial Release

# LAN9255

---

## THE MICROCHIP WEB SITE

Microchip provides online support via our WWW site at [www.microchip.com](http://www.microchip.com). This web site is used as a means to make files and information easily available to customers. Accessible by using your favorite Internet browser, the web site contains the following information:

- **Product Support** – Data sheets and errata, application notes and sample programs, design resources, user's guides and hardware support documents, latest software releases and archived software
- **General Technical Support** – Frequently Asked Questions (FAQ), technical support requests, online discussion groups, Microchip consultant program member listing
- **Business of Microchip** – Product selector and ordering guides, latest Microchip press releases, listing of seminars and events, listings of Microchip sales offices, distributors and factory representatives

## CUSTOMER CHANGE NOTIFICATION SERVICE

Microchip's customer notification service helps keep customers current on Microchip products. Subscribers will receive e-mail notification whenever there are changes, updates, revisions or errata related to a specified product family or development tool of interest.

To register, access the Microchip web site at [www.microchip.com](http://www.microchip.com). Under "Support", click on "Customer Change Notification" and follow the registration instructions.

## CUSTOMER SUPPORT

Users of Microchip products can receive assistance through several channels:

- Distributor or Representative
- Local Sales Office
- Field Application Engineer (FAE)
- Technical Support

Customers should contact their distributor, representative or field application engineer (FAE) for support. Local sales offices are also available to help customers. A listing of sales offices and locations is included in the back of this document.

**Technical support is available through the web site at: <http://microchip.com/support>**

## PRODUCT IDENTIFICATION SYSTEM

To order or obtain information, e.g., on pricing or delivery, refer to the factory or the listed sales office.

<u>PART NO.</u>	[X]	[-X]	/	XXX	XXX
Device	Tape and Reel Option	Temperature Range		Package	Mem. Cfg.
<b>Device:</b>	LAN9255				
<b>Tape and Reel Option:</b>	Blank = Standard packaging (Tray) T = Tape and Reel <a href="#">(Note 1)</a>				
<b>Temperature Range:</b>	Blank = 0°C to +70°C (Commercial) I = -40°C to +85°C (Industrial) V = -40°C to +105°C (Extended Industrial)				
<b>Package:</b>	ZMX = 128-pin TQFP (9.0mm ePad)				
<b>Mem. Config:</b>	018 = 256K Programmable Memory 019 = 512K Programmable Memory 020 = 1024K Programmable Memory				
<b>Examples:</b>					
a) LAN9255/ZMX018 Standard Packaging (Tray), Commercial Temperature, 128-pin TQFP, 256K Memory					
b) LAN9255-I/ZMX019 Standard Packaging (Tray) Industrial Temperature, 128-pin TQFP, 512K Memory					
c) LAN9255-V/ZMX020 Standard Packaging (Tray) Extended Industrial Temperature, 128-pin TQFP, 1024K Memory					
d) LAN9255T/ZMX018 Tape and Reel Commercial Temperature, 128-pin TQFP, 256K Memory					
e) LAN9255T-I/ZMX019 Tape and Reel Industrial Temperature, 128-pin TQFP, 512K Memory					
f) LAN9255T-V/ZMX020 Tape and Reel Extended Industrial Temperature, 128-pin TQFP, 1024K Memory					
<b>Note 1:</b> Tape and Reel identifier only appears in the catalog part number description. This identifier is used for ordering purposes and is not printed on the device package. Check with your Microchip Sales Office for package availability with the Tape and Reel option.					

**Note the following details of the code protection feature on Microchip devices:**

- Microchip products meet the specifications contained in their particular Microchip Data Sheet.
- Microchip believes that its family of products is secure when used in the intended manner and under normal conditions.
- There are dishonest and possibly illegal methods being used in attempts to breach the code protection features of the Microchip devices. We believe that these methods require using the Microchip products in a manner outside the operating specifications contained in Microchip's Data Sheets. Attempts to breach these code protection features, most likely, cannot be accomplished without violating Microchip's intellectual property rights.
- Microchip is willing to work with any customer who is concerned about the integrity of its code.
- Neither Microchip nor any other semiconductor manufacturer can guarantee the security of its code. Code protection does not mean that we are guaranteeing the product is "unbreakable." Code protection is constantly evolving. We at Microchip are committed to continuously improving the code protection features of our products. Attempts to break Microchip's code protection feature may be a violation of the Digital Millennium Copyright Act. If such acts allow unauthorized access to your software or other copyrighted work, you may have a right to sue for relief under that Act.

---

Information contained in this publication is provided for the sole purpose of designing with and using Microchip products. Information regarding device applications and the like is provided only for your convenience and may be superseded by updates. It is your responsibility to ensure that your application meets with your specifications.

THIS INFORMATION IS PROVIDED BY MICROCHIP "AS IS". MICROCHIP MAKES NO REPRESENTATIONS OR WARRANTIES OF ANY KIND WHETHER EXPRESS OR IMPLIED, WRITTEN OR ORAL, STATUTORY OR OTHERWISE, RELATED TO THE INFORMATION INCLUDING BUT NOT LIMITED TO ANY IMPLIED WARRANTIES OF NON-INFRINGEMENT, MERCHANTABILITY, AND FITNESS FOR A PARTICULAR PURPOSE OR WARRANTIES RELATED TO ITS CONDITION, QUALITY, OR PERFORMANCE.

IN NO EVENT WILL MICROCHIP BE LIABLE FOR ANY INDIRECT, SPECIAL, PUNITIVE, INCIDENTAL OR CONSEQUENTIAL LOSS, DAMAGE, COST OR EXPENSE OF ANY KIND WHATSOEVER RELATED TO THE INFORMATION OR ITS USE, HOWEVER CAUSED, EVEN IF MICROCHIP HAS BEEN ADVISED OF THE POSSIBILITY OR THE DAMAGES ARE FORESEEABLE. TO THE FULLEST EXTENT ALLOWED BY LAW, MICROCHIP'S TOTAL LIABILITY ON ALL CLAIMS IN ANY WAY RELATED TO THE INFORMATION OR ITS USE WILL NOT EXCEED THE AMOUNT OF FEES, IF ANY, THAT YOU HAVE PAID DIRECTLY TO MICROCHIP FOR THE INFORMATION. Use of Microchip devices in life support and/or safety applications is entirely at the buyer's risk, and the buyer agrees to defend, indemnify and hold harmless Microchip from any and all damages, claims, suits, or expenses resulting from such use. No licenses are conveyed, implicitly or otherwise, under any Microchip intellectual property rights unless otherwise stated.

#### Trademarks

The Microchip name and logo, the Microchip logo, Adaptec, AnyRate, AVR, AVR logo, AVR Freaks, BesTime, BitCloud, chipKIT, chipKIT logo, CryptoMemory, CryptoRF, dsPIC, FlashFlex, flexPWR, HELDO, IGLoo, JukeBlox, KeelQ, Kleer, LANCheck, LinkMD, maXStylus, maXTouch, MediaLB, megaAVR, Microsemi, Microsemi logo, MOST, MOST logo, MPLAB, OptoLyzer, PackeTime, PIC, picoPower, PICSTART, PIC32 logo, PolarFire, Prochip Designer, QTouch, SAM-BA, SenGenuity, SpyNIC, SST, SST Logo, SuperFlash, Symmetricom, SyncServer, Tachyon, TempTrackr, TimeSource, tinyAVR, UNI/O, Vectron, and XMEGA are registered trademarks of Microchip Technology Incorporated in the U.S.A. and other countries.

APT, ClockWorks, The Embedded Control Solutions Company, EtherSynch, FlashTec, Hyper Speed Control, HyperLight Load, IntelliMOS, Libero, motorBench, mTouch, Powermite 3, Precision Edge, ProASIC, ProASIC Plus, ProASIC Plus logo, Quiet-Wire, SmartFusion, SyncWorld, Temux, TimeCesium, TimeHub, TimePictra, TimeProvider, Vite, WinPath, and ZL are registered trademarks of Microchip Technology Incorporated in the U.S.A.

Adjacent Key Suppression, AKS, Analog-for-the-Digital Age, Any Capacitor, AnyIn, AnyOut, BlueSky, BodyCom, CodeGuard, CryptoAuthentication, CryptoAutomotive, CryptoCompanion, CryptoController, dsPICDEM, dsPICDEM.net, Dynamic Average Matching, DAM, ECAN, EtherGREEN, In-Circuit Serial Programming, ICSP, INICnet, Inter-Chip Connectivity, JitterBlocker, KleerNet, KleerNet logo, memBrain, Mindi, MiWi, MPASM, MPF, MPLAB Certified logo, MPLIB, MPLINK, MultiTRAK, NetDetach, Omniscient Code Generation, PICDEM, PICDEM.net, PICkit, PICtail, PowerSmart, PureSilicon, QMatrix, REAL ICE, Ripple Blocker, SAM-ICE, Serial Quad I/O, SMART-I.S., SQI, SuperSwitcher, SuperSwitcher II, Total Endurance, TSHARC, USBCheck, VariSense, ViewSpan, WiperLock, Wireless DNA, and ZENA are trademarks of Microchip Technology Incorporated in the U.S.A. and other countries.

SQTP is a service mark of Microchip Technology Incorporated in the U.S.A.

The Adaptec logo, Frequency on Demand, Silicon Storage Technology, and Symmcom are registered trademarks of Microchip Technology Inc. in other countries.

GestIC is a registered trademark of Microchip Technology Germany II GmbH & Co. KG, a subsidiary of Microchip Technology Inc., in other countries.

AMBA, Arm, Arm7, Arm7TDMI, Arm9, Arm11, Artisan, big.LITTLE, Cordio, CoreLink, CoreSight, Cortex, DesignStart, DynamIQ, Jazelle, Keil, Mali, Mbed, Mbed Enabled, NEON, POP, RealView, SecurCore, Socrates, Thumb, TrustZone, ULINK, ULINK2, ULINK-ME, ULINK-PLUS, ULINKpro, µVision, Versatile are trademarks or registered trademarks of Arm Limited (or its subsidiaries) in the US and/or elsewhere.

All other trademarks mentioned herein are property of their respective companies.

© 2020-2021, Microchip Technology Incorporated, All Rights Reserved.

ISBN: 9781522477044

For information regarding Microchip's Quality Management Systems, please visit [www.microchip.com/quality](http://www.microchip.com/quality).



## Worldwide Sales and Service

### AMERICAS

**Corporate Office**  
2355 West Chandler Blvd.  
Chandler, AZ 85224-6199  
Tel: 480-792-7200  
Fax: 480-792-7277  
Technical Support:  
<http://www.microchip.com/support>  
Web Address:  
[www.microchip.com](http://www.microchip.com)

#### Atlanta

Duluth, GA  
Tel: 678-957-9614  
Fax: 678-957-1455

#### Austin, TX

Tel: 512-257-3370

#### Boston

Westborough, MA  
Tel: 774-760-0087  
Fax: 774-760-0088

#### Chicago

Itasca, IL  
Tel: 630-285-0071  
Fax: 630-285-0075

#### Dallas

Addison, TX  
Tel: 972-818-7423  
Fax: 972-818-2924

#### Detroit

Novi, MI  
Tel: 248-848-4000

#### Houston, TX

Tel: 281-894-5983

#### Indianapolis

Noblesville, IN  
Tel: 317-773-8323  
Fax: 317-773-5453  
Tel: 317-536-2380

#### Los Angeles

Mission Viejo, CA  
Tel: 949-462-9523  
Fax: 949-462-9608  
Tel: 951-273-7800

#### Raleigh, NC

Tel: 919-844-7510

#### New York, NY

Tel: 631-435-6000

#### San Jose, CA

Tel: 408-735-9110  
Tel: 408-436-4270

#### Canada - Toronto

Tel: 905-695-1980  
Fax: 905-695-2078

### ASIA/PACIFIC

**Australia - Sydney**  
Tel: 61-2-9868-6733

**China - Beijing**  
Tel: 86-10-8569-7000

**China - Chengdu**  
Tel: 86-28-8665-5511

**China - Chongqing**  
Tel: 86-23-8980-9588

**China - Dongguan**  
Tel: 86-769-8702-9880

**China - Guangzhou**  
Tel: 86-20-8755-8029

**China - Hangzhou**  
Tel: 86-571-8792-8115

**China - Hong Kong SAR**  
Tel: 852-2943-5100

**China - Nanjing**  
Tel: 86-25-8473-2460

**China - Qingdao**  
Tel: 86-532-8502-7355

**China - Shanghai**  
Tel: 86-21-3326-8000

**China - Shenyang**  
Tel: 86-24-2334-2829

**China - Shenzhen**  
Tel: 86-755-8864-2200

**China - Suzhou**  
Tel: 86-186-6233-1526

**China - Wuhan**  
Tel: 86-27-5980-5300

**China - Xian**  
Tel: 86-29-8833-7252

**China - Xiamen**  
Tel: 86-592-2388138

**China - Zhuhai**  
Tel: 86-756-3210040

### ASIA/PACIFIC

**India - Bangalore**  
Tel: 91-80-3090-4444

**India - New Delhi**  
Tel: 91-11-4160-8631

**India - Pune**  
Tel: 91-20-4121-0141

**Japan - Osaka**  
Tel: 81-6-6152-7160

**Japan - Tokyo**  
Tel: 81-3-6880-3770

**Korea - Daegu**  
Tel: 82-53-744-4301

**Korea - Seoul**  
Tel: 82-2-554-7200

**Malaysia - Kuala Lumpur**  
Tel: 60-3-7651-7906

**Malaysia - Penang**  
Tel: 60-4-227-8870

**Philippines - Manila**  
Tel: 63-2-634-9065

**Singapore**  
Tel: 65-6334-8870

**Taiwan - Hsin Chu**  
Tel: 886-3-577-8366

**Taiwan - Kaohsiung**  
Tel: 886-7-213-7830

**Taiwan - Taipei**  
Tel: 886-2-2508-8600

**Thailand - Bangkok**  
Tel: 66-2-694-1351

**Vietnam - Ho Chi Minh**  
Tel: 84-28-5448-2100

### EUROPE

**Austria - Wels**  
Tel: 43-7242-2244-39  
Fax: 43-7242-2244-393

**Denmark - Copenhagen**  
Tel: 45-4485-5910  
Fax: 45-4485-2829

**Finland - Espoo**  
Tel: 358-9-4520-820

**France - Paris**  
Tel: 33-1-69-53-63-20  
Fax: 33-1-69-30-90-79

**Germany - Garching**  
Tel: 49-8931-9700

**Germany - Haan**  
Tel: 49-2129-3766400

**Germany - Heilbronn**  
Tel: 49-7131-72400

**Germany - Karlsruhe**  
Tel: 49-721-625370

**Germany - Munich**  
Tel: 49-89-627-144-0  
Fax: 49-89-627-144-44

**Germany - Rosenheim**  
Tel: 49-8031-354-560

**Israel - Ra'anana**  
Tel: 972-9-744-7705

**Italy - Milan**  
Tel: 39-0331-742611  
Fax: 39-0331-466781

**Italy - Padova**  
Tel: 39-049-7625286

**Netherlands - Drunen**  
Tel: 31-416-690399  
Fax: 31-416-690340

**Norway - Trondheim**  
Tel: 47-7288-4388

**Poland - Warsaw**  
Tel: 48-22-3325737

**Romania - Bucharest**  
Tel: 40-21-407-87-50

**Spain - Madrid**  
Tel: 34-91-708-08-90  
Fax: 34-91-708-08-91

**Sweden - Gothenberg**  
Tel: 46-31-704-60-40

**Sweden - Stockholm**  
Tel: 46-8-5090-4654

**UK - Wokingham**  
Tel: 44-118-921-5800  
Fax: 44-118-921-5820