

Product Specification

SPECIFICATION FOR APPROVAL

- () Preliminary Specification
(●) Final Specification

Title	7.0"W (480 X RGB X 234) TFT-LCD
--------------	--

BUYER	
MODEL	

SUPPLIER	LG.Philips LCD Co., Ltd.
MODEL	LB070W02
SUFFIX	

* The model included T-con separately

SIGNATURE	DATE
_____/	_____
_____/	_____
_____/	_____

APPROVED BY	DATE
C.S. KYOUNG /G.Manager	_____
REVIEWED BY	
J.D. KIM /Manager	_____
PREPARED BY	
C.S. SO /Engineer	_____

**Product Engineering Dept.
LG. Philips LCD Co., Ltd**

Product Specification**CONTENTS**

NO.	ITEM	PAGE
0	Record of Revisions	3
1	Summary	4
2	Features	4
3	General Specification	4
4	Interface (Input Terminal)	5
5	Absolute Maximum Ratings	7
6	Electrical Characteristics	8
7	Electro-optical Characteristics	15
8	Mechanical Characteristics	18
9	Reliability Test	20
10	International Standards	21
11	Packing	22
12	Precautions	23

Product Specification

1. Summary

This module utilizes amorphous silicon thin film transistors and a 16:9 aspect ratio. A 7.0" active matrix liquid crystal display allows full color to be displayed.

The applications are Portable DVD, Multimedia applications and others AV system.

2. Features

- Utilizes a panel with a 16:9 aspect ratio, which makes the module suitable for use in wide-screen systems.
- The 7.0" screen produces a high resolution image that is composed of 112,320 pixel elements in a stripe arrangement.
- Wide viewing angle technology is employed.
[The most suitable viewing direction is in the 12 o'clock direction.]
- By adopting an active matrix drive, a picture with high contrast is realized.
- A thin, light and compact module is accomplished through the use of COG mounting technology.
- By adopting a high aperture panel, high transmittance color filter and high transmission polarizing plates, transmittance ratio is realized.
- This module is compatible with the T-con(Timing controller) developed by LG.Philips LCD.
[**T-con Model Name : BULL_REV(HS353149), Part Number : 0IHYL-0045A**]
For a application including the T-con, please refer to the T-con datasheet with this specification sheet.

3. General Specification

CHARACTERISTIC ITEM	SPECIFICATION
Video Signal Interface	Analog Video Interface
Display Technology	a-Si TFT active matrix
Display Mode	TN Type Full Color / Transmitting Type / Normally White
Screen Size (Diagonal)	7.0" (17.67 _{cm})
Outline Dimension	166mm (W) X 100mm (H) X 7.0mm (D)
Active Area	154.08mm (W) X 86.58mm (H)
Number Of dots	480(H) X 3(R,G,B) X 234(V)
Dot Pitch	0.107mm (W) X 0.370mm (H)
Color Filter Array	RGB vertical stripes
Weight	155 g (TYP)
Backlight	CCFL with 3 wave-length spectrum (L Type)
Surface Treatment	Anti-Glare Treatment

Product Specification

4. Interface (Input terminal)

1> TFT-LCD Panel Driving Part

Pin No.	SYMBOL	FUNCTION	REMARK
1	VDD1	Power Line For Logic	
2	VDD1	Power Line For Logic	
3	DS	Gate Driver Double Scan Control	See P.14
4	U/D	Up/Down Scanning Change	See 6-3> P.11
5	STV	Gate Scanning Start Signal (GSP)	
6	CLK	Gate Driver Scanning Clock Pulse (GSC)	
7	OE	Gate Driver Output Enable (GOE)	H: enable / L:disable
8	DSOE	Gate Driver Double Scan Pulse Width Control	See P.14
9	DGND	Ground For Logic Circuit	
10	VGL	Gate Driver Negative Voltage	
11	VGH	Gate Driver Positive Voltage	
12	AGND	Ground For Analog Circuit	
13	AGND	Ground For Analog Circuit	
14	VDD2	Power Line For Source Driver IC	
15	VDD2	Power Line For Source Driver IC	
16	VB	Blue Analog Video Signal	
17	VG	Green Analog Video Signal	
18	VR	Red Analog Video Signal	
19	DGND	Ground For Logic Circuit	
20	STHL	Source Scanning Left Start Signal (SSP_L)	
21	SEQ/SIM	Sampling Mode Change	See 6-4> P.11
22	L/R	Left/Right Scanning Change	See 6-3> P.11
23	RESET	Source Driver Reset	H: reset / L: operation
24	INH	Source Driver Output Enable (SOE)	H: disable / L: enable
25	CLI1	Source Driver Clock Input 1(SSC_1)	
26	CLI2	Source Driver Clock Input 2 (SSC_2)	
27	CLI3	Source Driver Clock Input 3 (SSC_3)	
28	STHR	Source Scanning Right Start Signal (SSP_R)	
29	VEE	Gate Driver Negative Voltage For Internal Operation	
30	VCOM	Voltage Applied To Color Filter Substrate	

The matching connector part number is **GF053-30S-LSS(Bottom Contact Type) or **GF055-30S-LSS (Top Contact Type)** manufactured by LG Cable Ltd. or equivalent.

Product Specification

2> Backlight Fluorescent Tube Driving Part

Pin No.	SYMBOL	FUCTION	REMARK
1	HV	Power Supply For Lamp [High Voltage Side]	[Note 4-1]
2	LV	Power Supply For Lamp [Low Voltage Side]	[Note 4-2]

The backlight interface connector is a model **BHSR-02VS-1** manufactured by JST or a model **1674817-1** manufactured by AMP. The matching connector part number is **SM02B-BHSS-1-TB** manufactured by JST or equivalent.

[Note 4-1] The wire color of high voltage side is pink.

[Note 4-2] The wire color of low voltage side is white. Connect the low voltage side of the DC/AC inverter used to drive the fluorescent tube to GND of the inverter circuit.

Product Specification

5. Absolute Maximum Ratings

PARAMETER	SYMBOL	CONDITION	MIN.	MAX.	UNIT	REMARK
Logic Voltage	VDD1	T _a =25°C	-0.5	6.0	V	
Source Driver Voltage	VDD2	T _a =25°C	-0.5	6.0	V	
Digital Input Signals	V _{DI}	T _a =25°C	-0.5	VDD1+0.5	V	[Note 5-1]
Analog Input Signals	V _{AI}	T _a =25°C	-0.5	VDD2+0.5	V	[Note 5-2]
Gate Driver High Supply Voltage	VGH	T _a =25°C	-0.5	28	V	
Gate Driver Internal Negative Supply Voltage	VEE	T _a =25°C	-16	0.5	V	
Gate Driver Low Supply Voltage	VGL	T _a =25°C	VEE-0.3	VEE+7.0	V	
Storage Temperature	T _{st}	-	-40	85	°C	[Note 5-3,4]
Operating Temperature (Panel surface)	T _a	-	-30	85	°C	[Note 5-3,4,5]
Operating Temperature (Ambient Temperature)	T _a	-	-30	65	°C	[Note 5-3,4,5,6]

[Note 5-1] DS, U/D, STV, CLK, OE, DSOE, STHL, SEQ/SIM, L/R, RESET, INH, CLI1, CLI2, CLI3, STHR

[Note 5-2] VR, VG, VB

[Note 5-3] This rating applies to all parts of the module and should not be exceeded.

[Note 5-4] Maximum wet-bulb temperature is 60°C. Condensation of dew must be avoided as electrical current leaks will occur, causing a degradation of performance specifications.

[Note 5-5] The operating temperature only guarantees operation of the circuit. The contrast, response speed, and the other specification related to electro-optical display quality is determined at the room temperature, T_a ≒ 25°C.

[Note 5-6] Ambient temperature when the backlight is lit (reference value).

Product Specification

6. Electrical Characteristics

1> Recommended Operating Conditions

◆ TFT-LCD Panel Driving Section

$T_a=25^{\circ}\text{C}$

PARAMETER		SYMBOL	MIN.	TYP.	MAX.	UNIT	REMARK	
Logic Supply Voltage		VDD1	3.0	3.3	3.6	V		
Digital Input Signal	High Level	V_{IH}	0.8VDD1	-	VDD1	V		
	Low Level	V_{IL}	0	-	0.2VDD1	V		
Source Driver Supply Voltage		VDD2	4.5	5.0	5.5	V		
Gate Driver	High Supply Voltage	VGH	16.0	16.5	17.0	V		
	Low Supply Voltage	AC	$V_{GL_{AC}}$	4.0	5.0	6.0	V_{P-P}	
		DC	$V_{GL_{DC}}$	-12.0	-11.5	-11.0	V	
Internal Negative Supply Voltage		VEE	-15.0	-14.5	-14.0	V		
Analog Video Signal Input Voltage		V_{VI}	AGND+0.2	-	VDD2-0.2	V		
Color Filter Substrate Voltage	AC Component	$V_{COM_{AC}}$	4.0	5.0	6.0	V_{P-P}		
	DC Component	$V_{COM_{DC}}$	1.5	1.75	2.0	V	[Note 1]	

[Note 1] This value should be tuned for optimal display quality of each panel.

***** Cautionary Matter : When applying or disconnecting power, please be sure that such action is sequentially carried out for all power supplies. In addition, apply input signals only after power has been turned on.

-Source Driver :

Turn on power to VDD1, logic input, VDD2, and video signal input in this order.
 Turn off power in the reverse order.

-Gate Driver :

Turn on power to VDD1, VEE, VGL, VGH, and logic input in this order.
 Turn off power in the reverse order.

Product Specification

PARAMETER	SYMBOL	MIN.	TYP.	MAX.	UNIT	REMARK
Logic Supply Current	I_{DD1}	-	-	5.0	mA	VDD1 = 3.3V
Source Driver Supply Current	I_{DD2}	-	-	50	mA	VDD2 = 5.0V
Gate Driver Internal Negative Supply Current	I_{EE}	-	-	1.5	mA	VEE=-14.5V
Gate Driver High Supply Current	I_{GH}	-	-	0.5	mA	VGH=16.5V
Gate Driver Low Supply Current	I_{GL}	-	-	15	mArms	VGL _{DC} =-11.5V VGL _{AC} =5.0V

◆ Backlight Driving Section

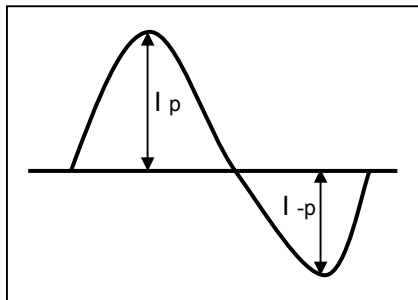
PARAMETER	SYMBOL	MIN.	TYP.	MAX.	UNIT	REMARK
Lamp Current	I_{BL}	3.0	6.0	6.5	mArms	
Lamp Voltage	V_{BL}	542 (6.5mA)	555 (6.0mA)	670 (3.0mA)	Vrms	±10[%]
Lamp Power Consumption	P_{BL}	2.01	3.33	3.53	Wrms	
Lamp Frequency	f_{BL}	40	-	60	kHz	*1
		40	-	80		*2
Kick-Off Voltage (*3)	V_S	-	-	1080	Vrms	T _a =25℃
		-	-	1390	Vrms	T _a =0℃
Discharge Stabilization Time	T_S	-	-	3	Minutes	*4
Life Time	-	20,000	-	-	Hour	*5

Product Specification

- * 1 : This frequency range means the range to keep within $\pm 10\%$ change of electrical and optical characteristics.
- * 2 : This frequency range means not affecting to lamp life and reliability characteristics.
(The lamp frequency should be selected as different as possible from display horizontal synchronous signal (Including harmonic frequency of this scanning frequency) to avoid "Beat" interference which may be observed on the screen as horizontal stripes like moving wave. This phenomenon is caused by interference between lamp (CCFL) lighting frequency and LCD horizontal synchronous signal.)
- * 3 : The "MAX" of "Kick-Off Voltage" means the minimum voltage for inverter to turn on the CCFL normally in the LCD module. However this isn't the values that we can assure stability of starting lamp on condition that the module is installed in your set.
It should be careful that "Kick-Off Voltage" is changed by an increase of stray capacitance in your set, inverter method, value of ballast capacitor in your inverter and so on.
Especially, the value of "Kick-Off Voltage" is higher in low temperature condition than in normal temperature condition, because impedance of CCFL is increased.
- * 4 : The time needed to achieve not less than 95% brightness of the center part of lamp.
The brightness of the lamp after being lighted for 5 minutes is defined as 100%.
- * 5 : "Life time" is defined as the time the lamp brightness decreases to 50% from original brightness at $I_{BL}=TYP$; continuous lighting, $T_a=25^\circ C$.

Requirements for a system inverter design, which is intended to have a better display performance, a better power efficiency and a more reliable lamp, are following. It shall help increase the lamp lifetime and reduce leakage current. Inverter should be designed to be subject to the conditions below

- A. The asymmetry rate of the inverter waveform should be less than 10%.
 - B. The distortion rate of the waveform should be within $\sqrt{2} \pm 10\%$.
- * Inverter output waveform had better be more similar to ideal sine wave.



* Asymmetry rate:

$$\frac{|I_p - I_{-p}|}{I_{rms}} * 100\%$$

• Distortion rate:

$$I_p \text{ (or } I_{-p}) / I_{rms}$$

- C. There should not be any spikes in the waveform.
- D. Lamp current should not exceed the "MAX" value under the "Operating Temperature" (it is prohibited to exceed the "MAX." value even if it is operated in the guaranteed temperature).
When lamp current exceed the maximum value for a long time, it may cause a smoking and ignition.
Therefore, it is recommended that the inverter have the current limited circuit that is used as a protection circuit and/or the lamp current-controlled inverter.

- * Do not attach a conducting tape to lamp connecting wire.
If the lamp wire attaches to a conducting tape, TFT-LCD Module has a low luminance and the inverter has abnormal action. Because leakage current is occurred between lamp wire and conducting tape.

Product Specification

2> Timing Characteristics of input signals

	PARAMETER	SYMBOL	MIN.	TYP.	MAX.	UNIT	REMARK
SOURCE	Clock Pulse Width	PW_{CLI}	33	-	-	ns	CLI1, CLI2, CLI3
	Start Pulse Setup Time	t_{SETUP}	8	-	-	ns	STHR, STHL
	Start Pulse Hold Time	t_{HOLD}	8	-	-	ns	STHR, STHL
	Reset Pulse Width	PW_{RES}	66	-	-	ns	
	INH Setup Time	t_{ISETUP}	33	-	-	ns	
	INH Hold Time	t_{IHOLD}	33	-	-	ns	
	Reset-INH Time	t_{R-I}	81	-	-	ns	
	INH Pulse Width	PW_{INH}	5	-	-	CLK	
***** Keep the rise and fall times of the logic input signals to within $tr=tf=5ns$ (10 to 90%).							
GATE	Clock Pulse High Width	$PW_{CLK(H)}$	(500)	-		ns	CLK
	Clock Pulse Low Width	$PW_{CLK(L)}$	(500)	-		ns	CLK
	Enable Pulse Width	PW_{OE}	(1000)	-		ns	OE
	Start Pulse Setup Time	t_{SETUP1}	(200)	-		ns	STV
	Start Pulse Hold Time	t_{HOLD1}	(200)	-		ns	STV
	Double Scan Setup Time	t_{SETUP2}	(200)	-		ns	DS
	Double Scan Hold Time	t_{HOLD2}	(200)	-		ns	DS
***** The enclosed value in parentheses is a reference value.							

3> Scanning Mode Selection (Reference position : @ Input terminal)

MODE	L/R	U/D	STHL	STHR	STV	REMARK
Normal Mode	H	H	Signal Output	Signal Input	Input	See P.16 (the figure of [Note 7-3])
Left/Right Reverse Mode	L	H	Signal Input	Signal Output	Input	
Up/Down Reverse Mode	H	L	Signal Output	Signal Input	Input	
Left/Right & Up/Down Reverse Mode	L	L	Signal Input	Signal Output	Input	

***** H(High Level) =VDD1 , L(Low Level)=DGND

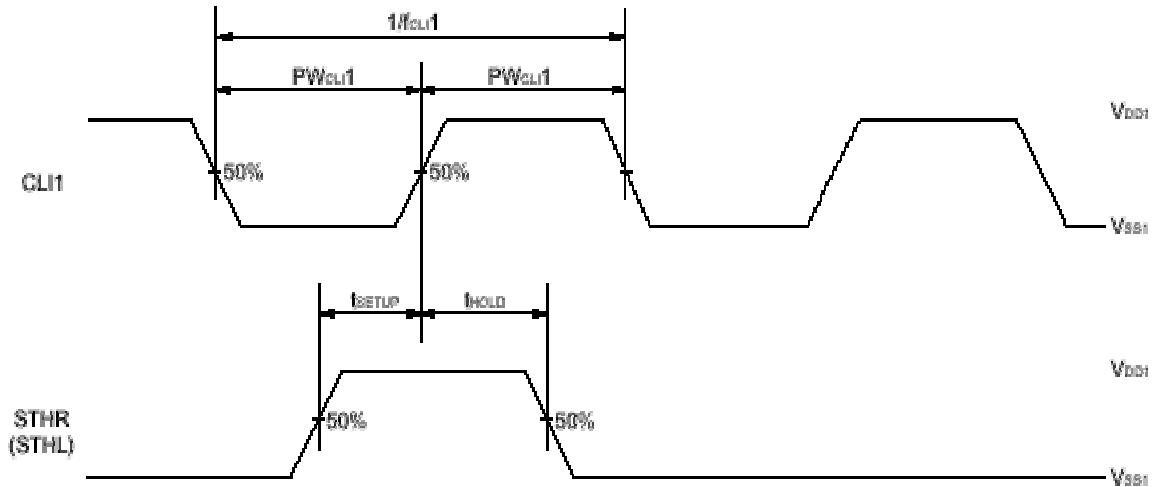
***** For a application including T-con developed by LG.Philips LCD, please refer to the T-con datasheet with this specification sheet.

4> Sampling Mode Selection (Reference position : @ Input terminal)

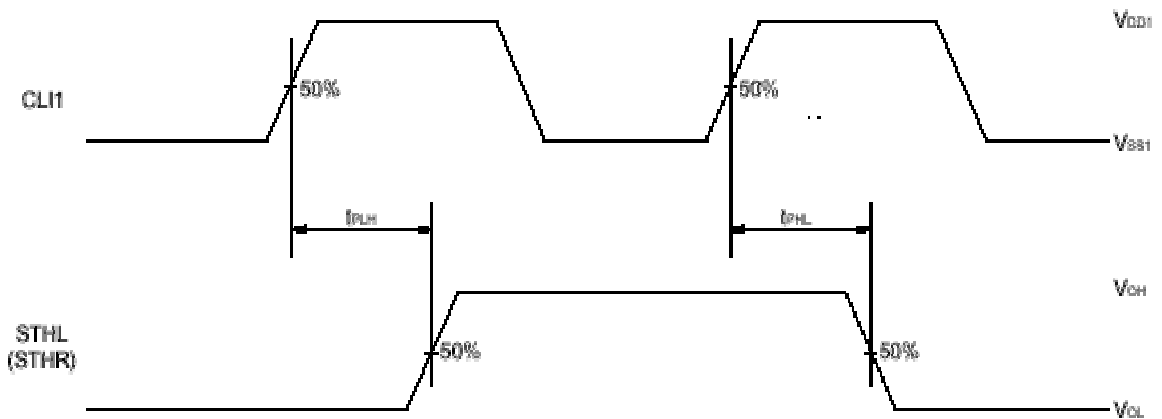
SEQ/SIM	H (High Level)	L (Low Level)
MODE	Sequential Sampling Mode	Simultaneous Sampling Mode

Product Specification

Start Pulse Input Timing for a Source Driver



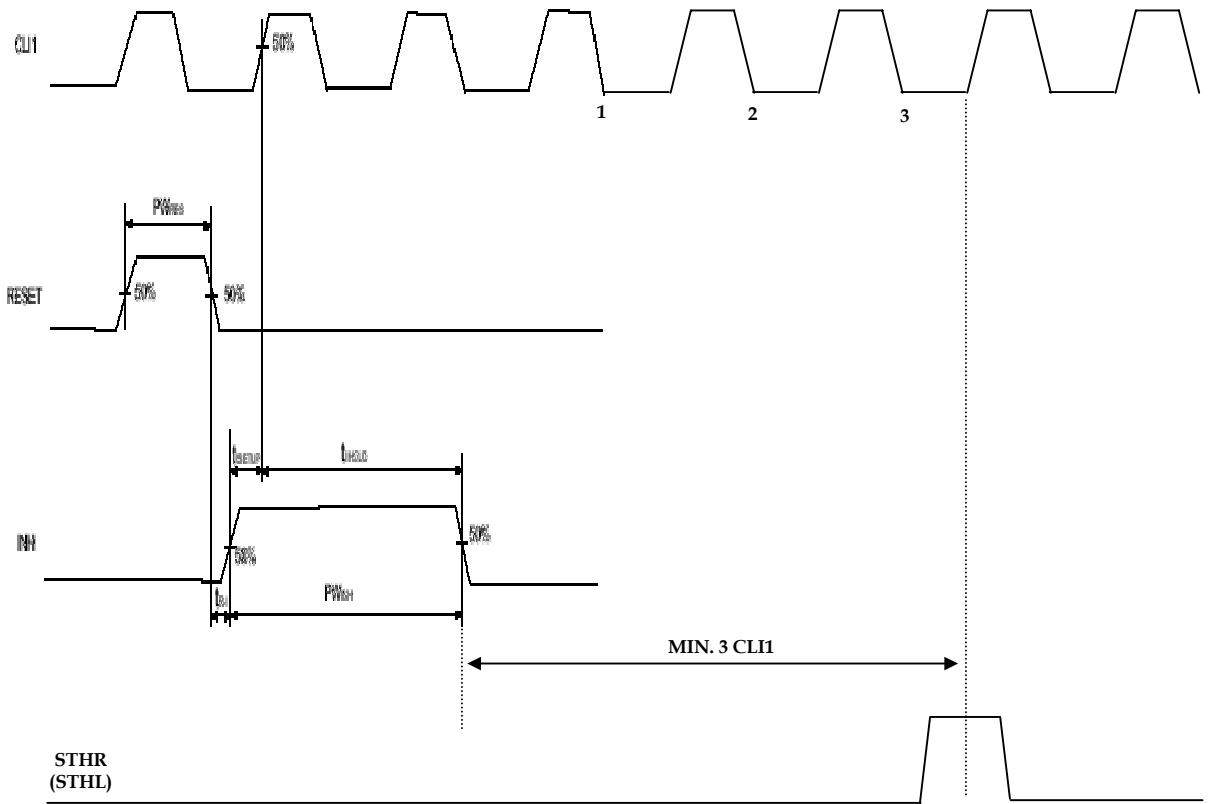
Start Pulse Output Timing for a Source Driver



Remark The input/output timing of the start pulse is the same for simultaneous/successive sampling.

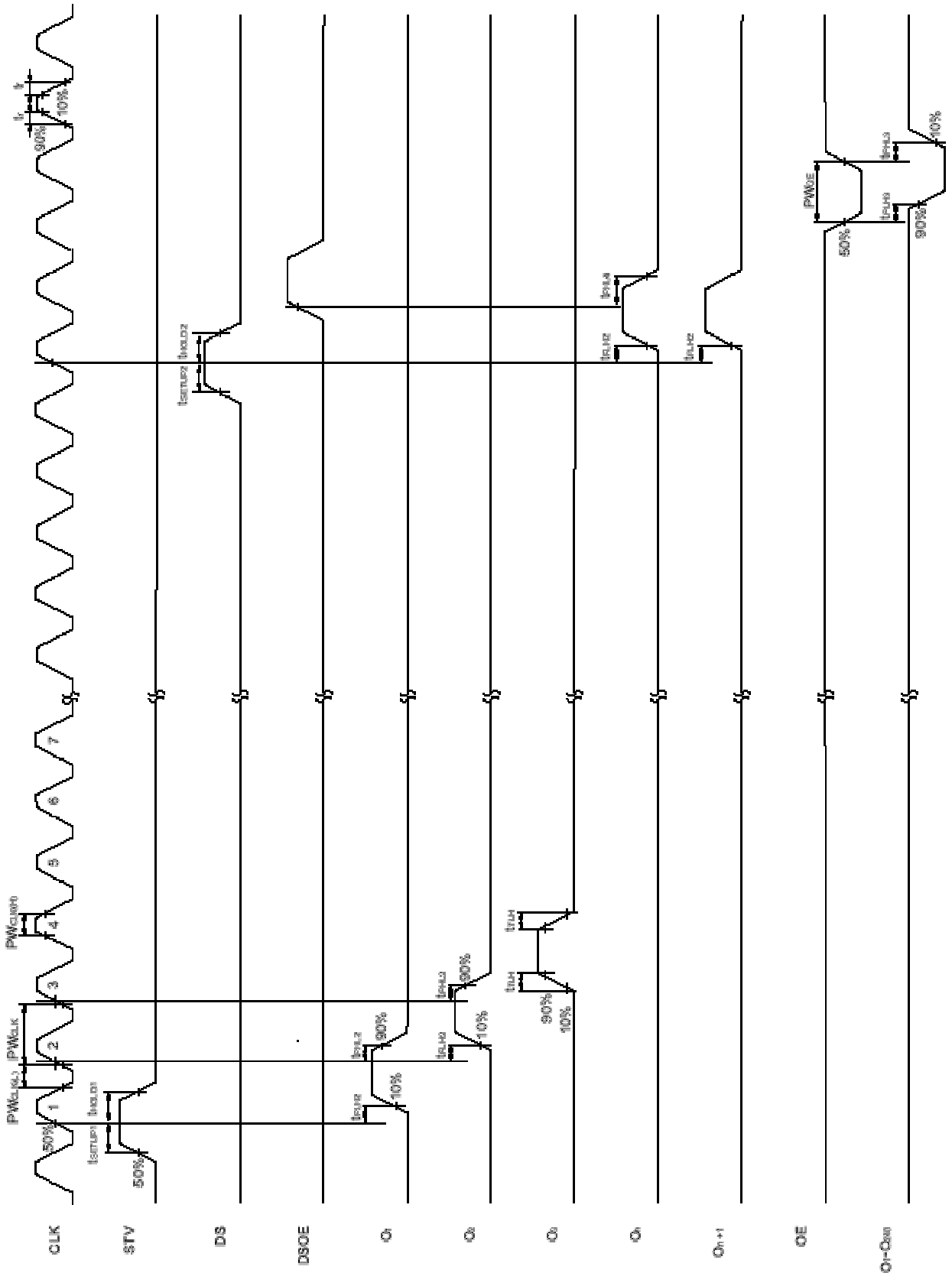
Product Specification

Reset INH Pulse Timing for a Source Driver



Product Specification

Switching Characteristics Waveform for Gate Driver (U/D =H)

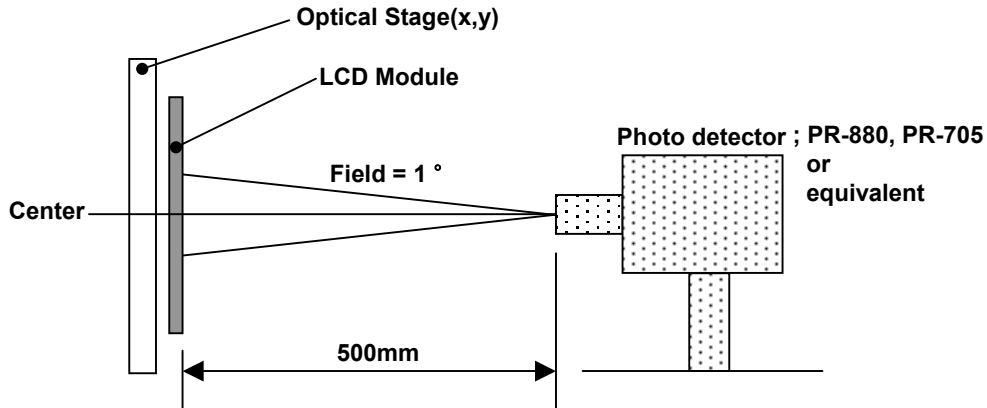


Product Specification

7. Electro-optical Characteristics

$T_a=25^{\circ}\text{C}$

PARAMETER	SYMBOL	CONDITION	MIN.	TYP.	MAX.	UNIT	REMARK	
Luminance	Y	$I_{BL}=6\text{mA rms}$	300	400	-	cd/m^2	[Note 7-1]	
Contrast Ratio	CR	Optimal	300	400	-	-	[Note 7-2]	
White Color Chromaticity	W_x	$I_{BL}=6\text{mA rms}$	0.270	0.300	0.330	-	[Note 7-1]	
	W_y		0.304	0.334	0.364	-		
Viewing Angle	$\phi=180^{\circ}$	Θ_l	$\text{CR} \geq 5$	60	65	-	$^{\circ}$	[Note 7-2] [Note 7-3]
	$\phi=0^{\circ}$	Θ_r		60	65	-	$^{\circ}$	
	$\phi=90^{\circ}$	Θ_u		60	65	-	$^{\circ}$	
	$\phi=270^{\circ}$	Θ_d		45	50	-	$^{\circ}$	
Response Time	Rise	τ_r	$\Theta=0^{\circ}$	-	10	20	ms	[Note 7-4]
	Fall	τ_d		-	30	45	ms	



Measuring Condition ;

-Measuring surroundings : Dark Room

-Measuring temperature : $T_a=25^{\circ}\text{C}$

-Adjust operating voltage to get optimum contrast at the center of the display.

-Measured value at the center point of LCD panel after more than 30 minutes while backlight turning on.

Product Specification

[Note 7-1]

Measured on the center area of the panel by PHOTO RESEARCH photometer PR-880 and PR-705 or equivalent.

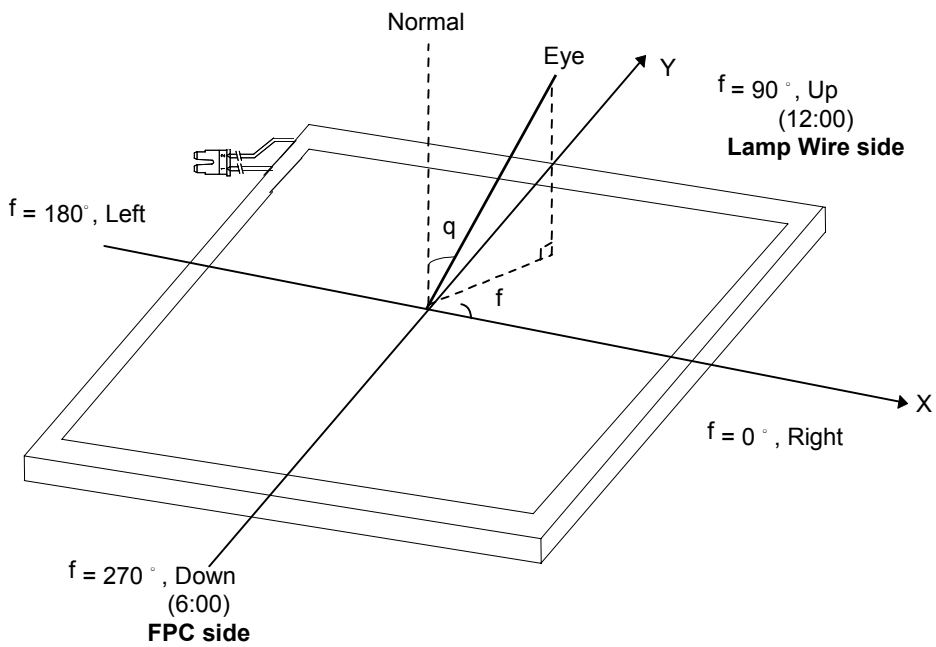
[Note 7-2]

Contrast ratio is defined as follows ;

$$\text{Contrast Ratio(CR)} = \frac{\text{Photo detector output with LCD being "white"}}{\text{Photo detector output with LCD being "black"}}$$

[Note 7-3]

Viewing angle range is defined as follows;

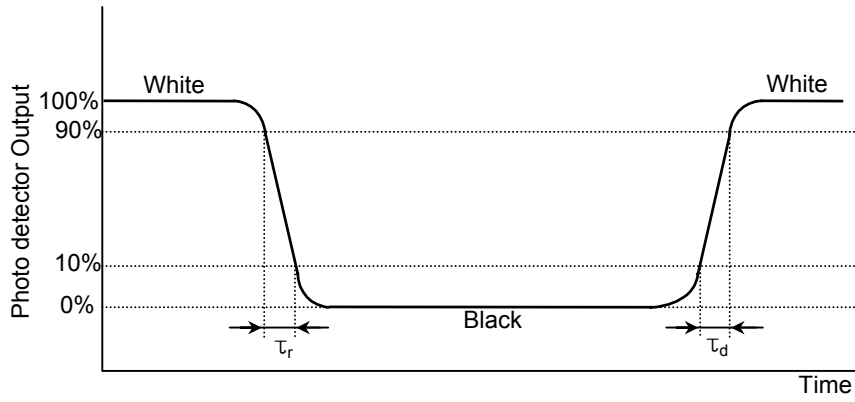


[Normal scanning Mode view]

Product Specification

[Note 7-4]

Response time is obtained by measuring the transition time of photo detector output, when input signals are applied so as to make the area “black” to and from “white”.



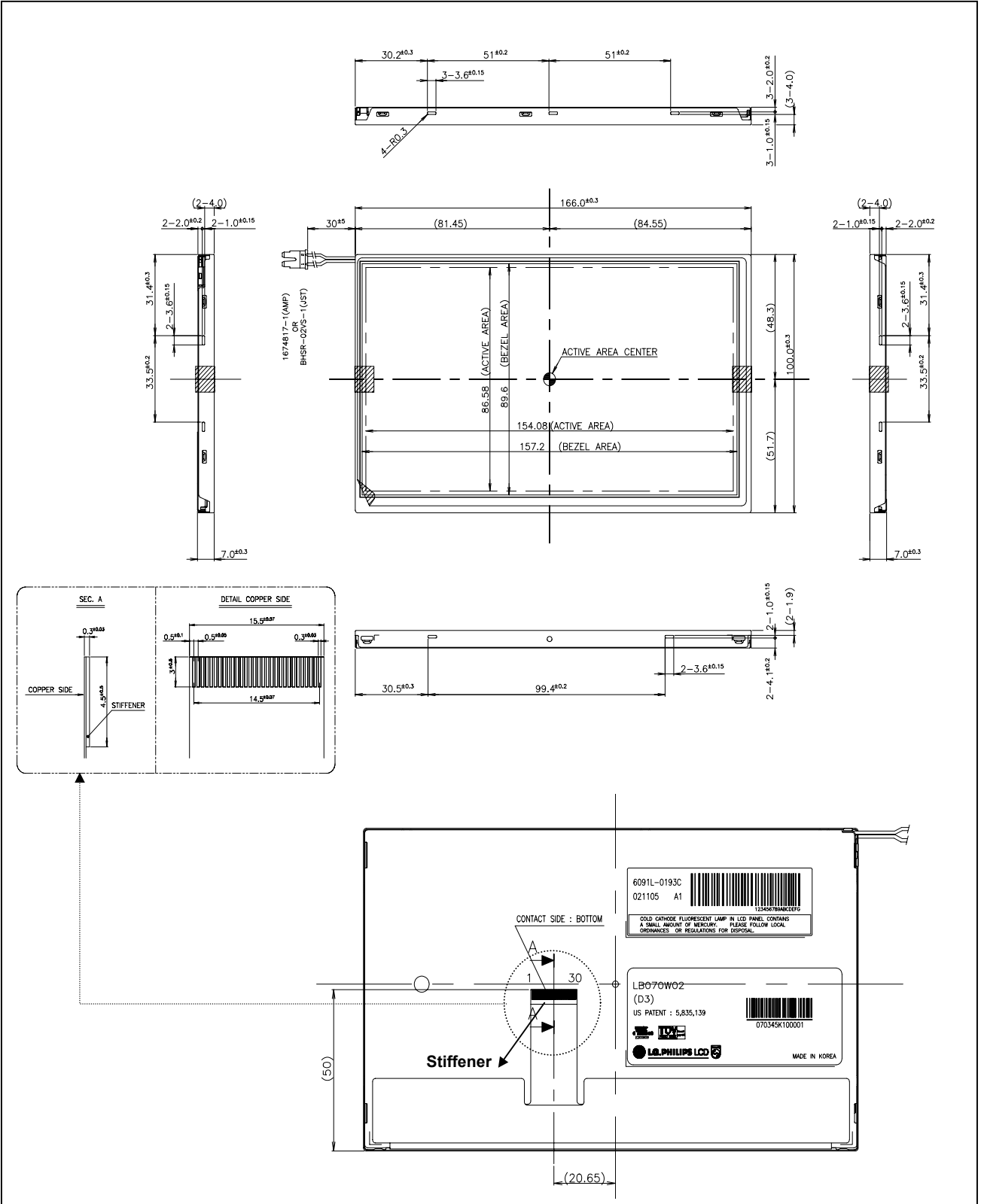
Product Specification

8. Mechanical Characteristics

PARAMETER	SPECIFICATION		UNIT	REMARK
Outline Dimension	Width	166	mm	
	Height	100	mm	
	Depth	7.0 (TYP)	mm	
Bezel Area	Width	157.2	mm	
	Height	89.6	mm	
Active Display Area	Width	154.08	mm	
	Height	86.58	mm	
Weight	155 (TYP.)		g	
Surface Treatment	Anti-Glare Treatment		-	

Product Specification

[Outline Dimension]



Product Specification

9. Reliability Test

No.	Test Items	Test Condition	REMARK
1	High Temperature Storage Test	Ta=85℃ 240h	
2	Low Temperature Storage Test	Ta=-40℃ 240h	
3	High Temperature Operation Test	Ta=85℃ 50%RH 240h	
4	Low Temperature Operation Test	Ta=-30℃ 240h	
5	High Temperature and High Humidity Operation Test	Ta=65℃ 90%RH 240h	
6	Electro Static Discharge Test	-Panel Surface/Top_Case : 150pF ±15kV 150Ω (direct discharge, five times) -FPC input terminal : 100pF ±200V 0Ω	
7	Shock Test (non-operating)	Half sine wave, 80G, 11ms 3 times shock of each six faces	
8	Vibration Test (non-operating)	Sine wave, 10 ~ 500 ~ 10Hz, 1.5G, 0.37oct/min 3 axis, 1hour/axis	
9	Thermal Shock Test	-40℃(0.5h) ~ 85℃(0.5h) / 100 cycles	

***** T_a= Ambient Temperature

Product Specification

10. International Standards

10-1. Safety

- a) UL 60950, Third Edition, Underwriters Laboratories, Inc., Dated Dec. 11, 2000.
Standard for Safety of Information Technology Equipment, Including Electrical Business Equipment.
- b) CAN/CSA C22.2, No. 60950, Third Edition, Canadian Standards Association, Dec. 1, 2000.
Standard for Safety of Information Technology Equipment, Including Electrical Business Equipment.
- c) EN 60950 : 2000, Third Edition
IEC 60950 : 1999, Third Edition
European Committee for Electrotechnical Standardization(CENELEC)
EUROPEAN STANDARD for Safety of Information Technology Equipment Including Electrical Business Equipment.

10-2. EMC

- a) ANSI C63.4 "Methods of Measurement of Radio-Noise Emissions from Low-Voltage Electrical and Electrical Equipment in the Range of 9kHz to 40GHz." American National Standards Institute(ANSI), 1992
- b) C.I.S.P.R "Limits and Methods of Measurement of Radio Interface Characteristics of Information Technology Equipment." International Special Committee on Radio Interference.
- c) EN 55022 "Limits and Methods of Measurement of Radio Interface Characteristics of Information Technology Equipment." European Committee for Electrotechnical Standardization.(CENELEC), 1998
(Including A1: 2000)

Product Specification

11. Packing

11-1. Designation of Lot Mark

a) Lot Mark

A	B	C	D	E	F	G	H	I	J	K	L	M
---	---	---	---	---	---	---	---	---	---	---	---	---

A,B,C : SIZE(INCH)

D : YEAR

F : PANEL CODE

H : ASSEMBLY CODE

E : MONTH

G : FACTORY CODE

I,J,K,L,M : SERIAL NO.

Note

1. YEAR

Year	97	98	99	2000	2001	2002	2003	2004	2005	2006	2007
Mark	7	8	9	0	1	2	3	4	5	6	7

2. MONTH

Month	Jan	Feb	Mar	Apr	May	Jun	Jul	Aug	Sep	Oct	Nov	Dec
Mark	1	2	4	4	5	6	7	8	9	A	B	C

3. PANEL CODE

Panel Code	P1 Factory	P2 Factory	P3 Factory	P4 Factory	P5 Factory	Hydis Panel
Mark	1	2	3	4	5	H

4. FACTORY CODE

Factory Code	LPL Gumi	LPL Nanjing
Mark	K	C

5. SERIAL NO.

Year	1 ~ 99999	100000 ~
Mark	00001 ~ 99999	A0001 ~ A9999, , Z9999

b) Location of Lot Mark

Serial NO. is printed on the label. The label is attached to the backside of the LCD module.
This is subject to change without prior notice.

11-2. Packing Form

a) Package quantity in one box : 20 pcs

b) Box Size : 335×384×282 (mm)

Product Specification

12. PRECAUTIONS

Please pay attention to the following when you use this TFT LCD module.

12-1. MOUNTING PRECAUTIONS

- (1) You must mount a module using holes arranged in four corners or four sides.
- (2) You should consider the mounting structure so that uneven force(ex. Twisted stress) is not applied to the module.
And the case on which a module is mounted should have sufficient strength so that external force is not transmitted directly to the module.
- (3) Please attach a transparent protective plate to the surface in order to protect the polarizer.
Transparent protective plate should have sufficient strength in order to the resist external force.
- (4) You should adopt radiation structure to satisfy the temperature specification.
- (5) Acetic acid type and chlorine type materials for the cover case are not desirable because the former generates corrosive gas of attacking the polarizer at high temperature and the latter causes circuit break by electro-chemical reaction.
- (6) Do not touch, push or rub the exposed polarizers with glass, tweezers or anything harder than HB pencil lead. And please do not rub with dust clothes with chemical treatment.
Do not touch the surface of polarizer for bare hand or greasy cloth.(Some cosmetics deteriorate the polarizer.)
- (7) When the surface becomes dusty, please wipe gently with absorbent cotton or other soft materials like chamois soaks with petroleum benzine. Normal-hexane is recommended for cleaning the adhesives used to attach front / rear polarizers. Do not use acetone, toluene and alcohol because they cause chemical damage to the polarizer.
- (8) Wipe off saliva or water drops as soon as possible. Their long time contact with polarizer causes deformations and color fading.
- (9) Do not open the case because inside circuits do not have sufficient strength.
- (10) The metal case of a module should be contacted to electrical ground of your system.

12-2. OPERATING PRECAUTIONS

- (1) The spike noise causes the mis-operation of circuits. It should be lower than following voltage :
 $V = \pm 200\text{mV}$ (Over and under shoot voltage)
- (2) Response time depends on the temperature.(In lower temperature, it becomes longer.)
- (3) Brightness depends on the temperature. (In lower temperature, it becomes lower.)
And in lower temperature, response time(required time that brightness is stable after turned on) becomes longer.
- (4) Be careful for condensation at sudden temperature change. Condensation makes damage to polarizer or electrical contacted parts. And after fading condensation, smear or spot will occur.
- (5) When fixed patterns are displayed for a long time, remnant image is likely to occur.
- (6) Module has high frequency circuits. Sufficient suppression to the electromagnetic interference shall be done by system manufacturers. Grounding and shielding methods may be important to minimized the interference.

Product Specification

12-3. ELECTROSTATIC DISCHARGE CONTROL

Since a module is composed of electronic circuits, it is not strong to electrostatic discharge. Make certain that treatment persons are connected to ground through wrist band etc. And don't touch interface pin directly.

12-4. PRECAUTIONS FOR STRONG LIGHT EXPOSURE

Strong light exposure causes degradation of polarizer and color filter.

12-5. STORAGE

When storing modules as spares for a long time, the following precautions are necessary.

- (1) Store them in a dark place. Do not expose the module to sunlight or fluorescent light. Keep the temperature between 5°C and 35°C at normal humidity.
- (2) The polarizer surface should not come in contact with any other object.
It is recommended that they be stored in the container in which they were shipped.

12-6. HANDLING PRECAUTIONS FOR PROTECTION FILM

- (1) When the protection film is peeled off, static electricity is generated between the film and polarizer.
This should be peeled off slowly and carefully by people who are electrically grounded and with well ion-blown equipment or in such a condition, etc.
- (2) The protection film is attached to the polarizer with a small amount of glue. If some stress is applied to rub the protection film against the polarizer during the time you peel off the film, the glue is apt to remain on the polarizer.
Please carefully peel off the protection film without rubbing it against the polarizer.
- (3) When the module with protection film attached is stored for a long time, sometimes there remains a very small amount of glue still on the polarizer after the protection film is peeled off.
- (4) You can remove the glue easily. When the glue remains on the polarizer surface or its vestige is recognized, please wipe them off with absorbent cotton waste or other soft material like chamois soaked with normal-hexane.