



Product Specification

SPECIFICATION FOR APPROVAL

- () Preliminary Specification
- () Final Specification

| | |
|--------------|--|
| Title | 7.0" WVGA (800 x RGB x 480) TFT LCD |
|--------------|--|

| | |
|-------|--|
| BUYER | |
| MODEL | |

| | |
|----------|--------------------------|
| SUPPLIER | LG.Philips LCD Co., Ltd. |
| *MODEL | LB070WV4 |
| Suffix | TD02 |

| SIGNATURE | DATE |
|-----------|-------|
| / | _____ |
| / | _____ |
| / | _____ |

| SIGNATURE | DATE |
|--------------------|-------|
| / G.Manager | _____ |
| REVIEWED BY | _____ |
| / Manager | _____ |
| / Manager | _____ |
| PREPARED BY | _____ |
| / Engineer | _____ |
| / Engineer | _____ |

Please return 1 copy for your confirmation with your signature and comments.

**Products Engineering Dept.
LG. Philips LCD Co., Ltd**

Product Specification

Contents

| No | ITEM | Page |
|-----|------------------------------|------|
| | COVER | 1 |
| | CONTENTS | 2 |
| | RECORD OF REVISIONS | 3 |
| 1 | GENERAL DESCRIPTION | 4 |
| 2 | ABSOLUTE MAXIMUM RATINGS | 5 |
| 3 | ELECTRICAL SPECIFICATIONS | 6 |
| 3-1 | ELECTRICAL CHARACTERISTICS | 6 |
| 3-2 | INTERFACE CONNECTIONS | 7 |
| 3-3 | SIGNAL TIMING SPECIFICATIONS | 8 |
| 3-4 | SIGNAL TIMING WAVEFORMS | 9 |
| 3-5 | COLOR INPUT DATA REFERENCE | 10 |
| 3-6 | POWER SEQUENCE | 11 |
| 4 | OPTICAL SPECIFICATIONS | 12 |
| 5 | MECHANICAL CHARACTERISTICS | 16 |
| 6 | RELIABILITY | 19 |
| 7 | INTERNATIONAL STANDARDS | 20 |
| 7-1 | SAFETY | 20 |
| 7-2 | EMC | 20 |
| 8 | PACKING | 21 |
| 8-1 | DESIGNATION OF LOT MARK | 21 |
| 8-2 | PACKING FORM | 21 |
| 9 | PRECAUTIONS | 23 |

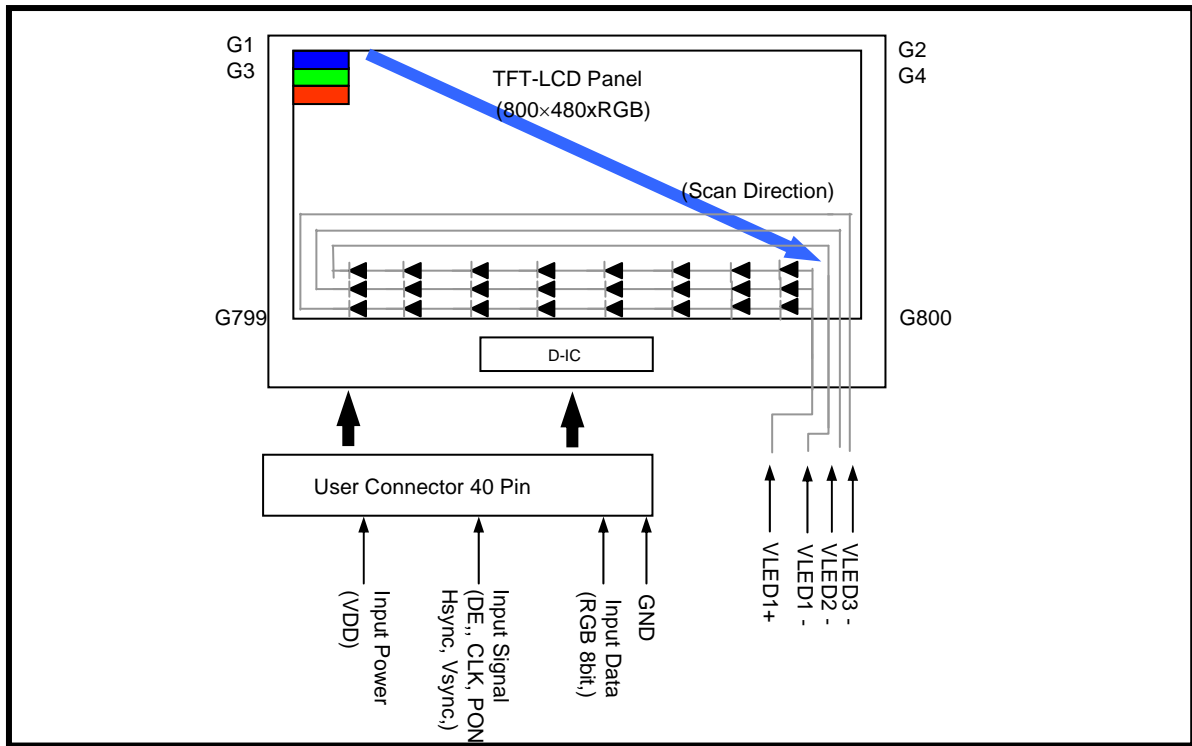
Product Specification

1. General Description

The LB070WV4 is a Color Active Matrix Liquid Crystal Display with an integral Light Emitting Diode(LED) backlight system. The matrix employs a-Si Thin Film Transistor as the active element. It is a transmissive type display operating in the normally white mode. This TFT-LCD has 7.0 inches diagonally measured active display area with WVGA resolution(800 horizontal by 480 vertical pixel array). Each pixel is divided into Red, Green and Blue sub-pixels or dots which are arranged in horizontal stripes. Gray scale or the brightness of the sub-pixel color is determined with a 8-bit gray scale signal for each dot, thus, presenting a palette of more than 16,772,216 colors.

The LB070WV4 has been designed to apply the interface method that enables low power, high speed, low EMI.

The LB070WV4 is intended to support applications where thin thickness, low power are critical factors and graphic displays are important. In combination with the vertical arrangement of the sub-pixels, the LB070WV4 characteristics provide an excellent flat display.



General Features

| | |
|------------------------|--|
| Active Screen Size | 7.0 inches diagonal |
| Outline Dimension | 165x104.6x3.6mm |
| Pixel Pitch | 0.1893 mm × 0.1887 mm |
| Pixel Format | 800 horiz. by 480 vert. Pixels RGB strip arrangement |
| Color Depth | 8-bit, 16,772,216 colors |
| Luminance, White | 350 cd/m ² (Typ.) |
| Power Consumption | TBD |
| Weight | TBD |
| Display Operating Mode | Transmissive mode, normally white |
| Surface Treatment | Anti-glare treatment of the front polarizer |

Product Specification

2. Absolute Maximum Ratings

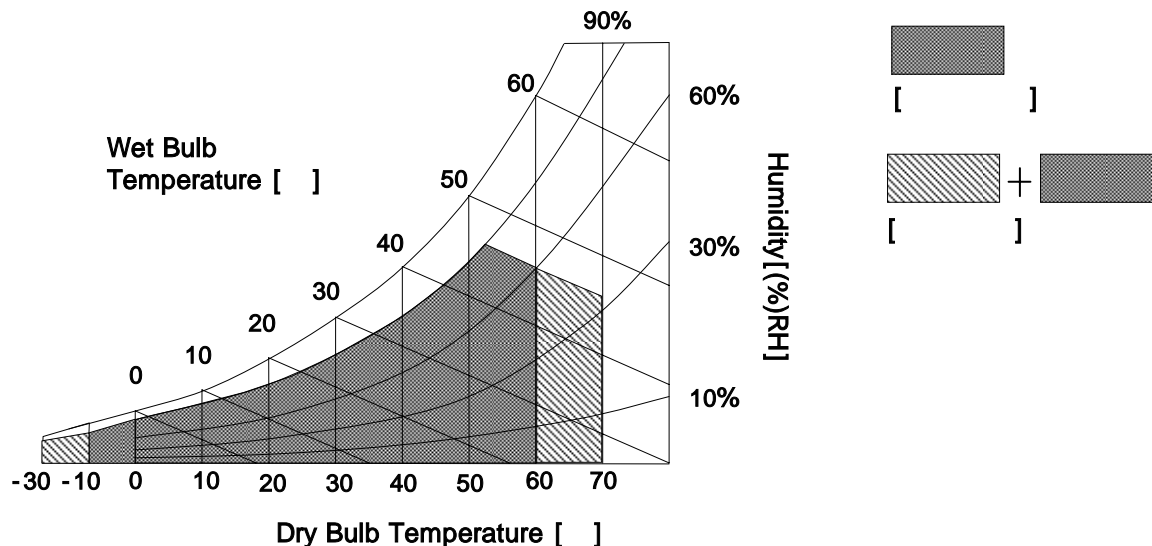
The following are maximum values which, if exceeded, may cause faulty operation or damage to the unit.

Table 1. ABSOLUTE MAXIMUM RATINGS

| Parameter | Symbol | Values | | Units | Notes | |
|-----------------------|------------------|--------|-----|------------------|-----------------------------|-------|
| | | Min | Max | | | |
| Power Input Voltage | VCC | 0.0 | 3.6 | Vdc | at $25 \pm 5^\circ\text{C}$ | |
| Storage Temperature | HST | -30 | 80 | $^\circ\text{C}$ | 1 | |
| Operating Temperature | Surface Of Panel | T_p | -20 | 70 | $^\circ\text{C}$ | 1,2 |
| | Ambient | T_a | - | - | $^\circ\text{C}$ | 1,2,3 |

Notes :

- Maximum wet-bulb temperature is 52 . Condensation of dew must be avoided, because it may cause electrical current leakage, and deterioration of performance and quality.
- The operating temperature means that LCD Module guarantees operation of the circuit.
All the contents of Electro-optical specifications are guaranteed under the room temperature condition.
- This temperature is ambient temperature with regard to the heat which is generated under operation of circuit and backlight on.(reference value)



Product Specification

3. Electrical Specifications**3-1. Electrical Characteristics**

The LB070WV1 requires two power inputs. One is employed to power the LCD electronics and to drive the TFT array and liquid crystal. The second input which powers the **LED**, is typically generated by an LED Driver. The LED Driver is an internal unit to the LCD.

Table 2. ELECTRICAL CHARACTERISTICS

| Parameter | Symbol | Values | | | Unit | Notes |
|----------------------------|-----------------|--------|-----|-----|-----------------|-------|
| | | Min | Typ | Max | | |
| LCD : | | | | | | |
| Power Supply Input Voltage | VCC | 3.0 | 3.3 | 3.6 | V _{DC} | |
| Power Supply Input Current | I _{CC} | - | TBD | - | mA | 1 |
| Power Consumption | P _c | - | TBD | - | Watt | 1 |

Note)

1. The specified current and power consumption are under the Vcc = 3.3V , 25 , fv = 60Hz condition whereas "Full Black Pattern" is displayed and fv is the frame frequency.

Product Specification
3-2. Interface Connections
Table 3. MODULE CONNECTOR PIN CONFIGURATION (CN1)

| Pin No. | Symbol | Description | Pin No. | Symbol | Description |
|---------|--------|----------------------|---------|--------|-------------------------------|
| 1 | GND | Ground | 21 | B0 | Blue Data 0 [LSB] |
| 2 | GND | Ground | 22 | B1 | Blue Data 1 |
| 3 | VCC | Power Line For Logic | 23 | B2 | Blue Data 2 |
| 4 | VCC | Power Line For Logic | 24 | B3 | Blue Data 3 |
| 5 | R0 | Red Data 0 [LSB] | 25 | B4 | Blue Data 4 |
| 6 | R1 | Red Data 1 | 26 | B5 | Blue Data 5 |
| 7 | R2 | Red Data 2 | 27 | B6 | Blue Data 6 |
| 8 | R3 | Red Data 3 | 28 | B7 | Blue Data 7 [MSB] |
| 9 | R4 | Red Data 4 | 29 | GND | Ground |
| 10 | R5 | Red Data 5 | 30 | DCLK | Dot clock signal |
| 11 | R6 | Red Data 6 | 31 | PON | Display mode control |
| 12 | R7 | Red Data 7 [MSB] | 32 | HSYNC | Horizontal Synchronous signal |
| 13 | G0 | Green Data 0 [LSB] | 33 | VSYNC | Vertical Synchronous signal |
| 14 | G1 | Green Data 1 | 34 | DE | Data enable |
| 15 | G2 | Green Data 2 | 35 | NC | No Connection |
| 16 | G3 | Green Data 3 | 36 | NC | No Connection |
| 17 | G4 | Green Data 4 | 37 | GND | Ground |
| 18 | G5 | Green Data 5 | 38 | GND | Ground |
| 19 | G6 | Green Data 6 | 39 | NC | No Connection |
| 20 | G7 | Green Data 7 [MSB] | 40 | NC | No Connection |

(Connector Type : 40Pin 0.5mm pitch.

Matching Connector : Hirose FH12 Series)

Table 4. LED CONNECTOR PIN CONFIGURATION (CN2)

| Pin No. | Symbol | Description |
|---------|----------|-----------------------|
| 1 | LED1 | Current Sink For LED1 |
| 2 | VLED(5V) | Power Line For LED |
| 3 | LED2 | Current Sink For LED2 |
| 4 | VLED(5V) | Power Line For LED |
| 5 | LED3 | Current Sink For LED3 |
| 6 | VLED(5V) | Power Line For LED |

(Connector Type : 6Pin 0.5mm pitch.

Matching Connector : Hirose TF12S Series)

Product Specification
3-3. Signal Timing Specifications

This is the signal timing required at the input of the User connector. All of the interface signal timing should be satisfied with the following specifications for its proper operation.

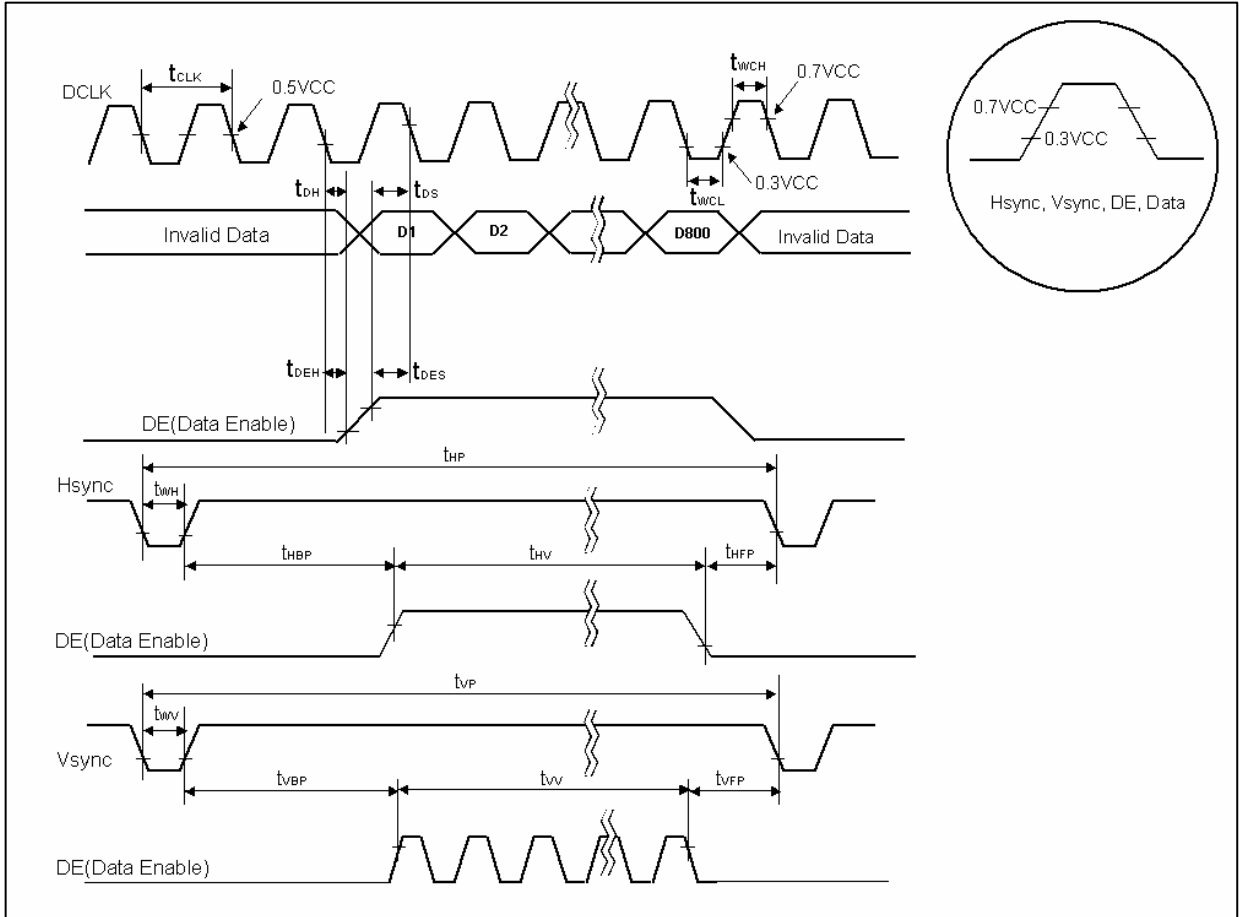
Table 5. TIMING TABLE

*** 60Hz Framerate ***

| | Item | Symbol | Min. | Typ. | Max. | Unit | Remarks |
|-------|------------------------|-----------|-------|-------|-------|-----------|---------|
| DCLK | Frequency | f_{CLK} | 31.95 | 33.26 | 34.60 | MHz | |
| | Period | t_{CLK} | 28.90 | 30.06 | 31.30 | ns | |
| | High Level Width | t_{WCH} | 6 | - | - | ns | |
| | Low Level Width | t_{WCL} | 6 | - | - | ns | |
| DATA | Setup Time | t_{DS} | 4 | - | - | ns | |
| | Hold Time | t_{DH} | 4 | - | - | ns | |
| DE | Setup Time | t_{DES} | 5 | - | - | ns | |
| | Hold Time | t_{DEH} | 5 | - | - | ns | |
| Hsync | Period | t_{HP} | 1024 | 1056 | 1088 | t_{CLK} | |
| | Width | t_{WH} | 10 | 128 | 268 | | |
| | Horizontal Valid | t_{HV} | 800 | 800 | 800 | | |
| | Horizontal Back Porch | t_{HBP} | 10 | 88 | 268 | | |
| | Horizontal Front Porch | t_{HFP} | 10 | 40 | 268 | | |
| Vsync | Period | t_{VP} | 520 | 525 | 530 | t_{HP} | |
| | Width | t_{WV} | 2 | 2 | 42 | | |
| | Vertical Valid | t_{VV} | 480 | 480 | 480 | | |
| | Vertical Back Porch | t_{VBP} | 6 | 30 | 46 | | |
| | Vertical Front Porch | t_{VFP} | 2 | 13 | 42 | | |

Product Specification

3-4. Signal Timing Waveforms





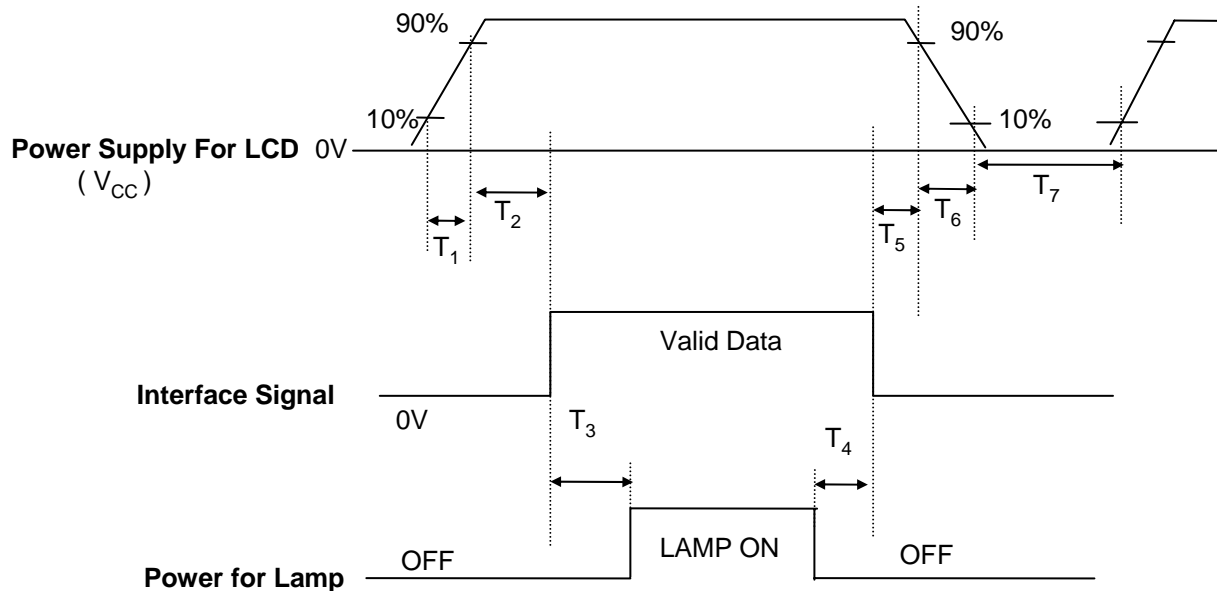
Product Specification

3-5. Color Input Data Reference

The brightness of each primary color (red, green and blue) is based on the 6-bit gray scale data input for the color ; the higher the binary input, the brighter the color. The table below provides a reference for color versus data input.

Table 6. COLOR DATA REFERENCE

| Colors & Gray Scale | Gray Scale Levels | Data Signal | | | | | | | | | | | | | | | | | | | | | | | | | | | |
|---------------------|-------------------|-------------|----|----|----|----|----|----|-------|----|----|----|----|----|----|------|----|----|----|----|----|----|----|----|----|--|--|--|--|
| | | RED | | | | | | | GREEN | | | | | | | BLUE | | | | | | | | | | | | | |
| | | R0 | R1 | R2 | R3 | R4 | R5 | R6 | R7 | G0 | G1 | G2 | G3 | G4 | G5 | G6 | G7 | B0 | B1 | B2 | B3 | B4 | B5 | B6 | B7 | | | | |
| Black | -- | 0 | 0 | 0 | 0 | 0 | 0 | 0 | 0 | 0 | 0 | 0 | 0 | 0 | 0 | 0 | 0 | 0 | 0 | 0 | 0 | 0 | 0 | 0 | 0 | | | | |
| Blue | -- | 0 | 0 | 0 | 0 | 0 | 0 | 0 | 0 | 0 | 0 | 0 | 0 | 0 | 0 | 0 | 0 | 1 | 1 | 1 | 1 | 1 | 1 | 1 | 1 | | | | |
| Green | -- | 0 | 0 | 0 | 0 | 0 | 0 | 0 | 0 | 1 | 1 | 1 | 1 | 1 | 1 | 1 | 0 | 0 | 0 | 0 | 0 | 0 | 0 | 0 | | | | | |
| Cyan | -- | 0 | 0 | 0 | 0 | 0 | 0 | 0 | 0 | 1 | 1 | 1 | 1 | 1 | 1 | 1 | 1 | 1 | 1 | 1 | 1 | 1 | 1 | 1 | | | | | |
| Red | -- | 1 | 1 | 1 | 1 | 1 | 1 | 1 | 1 | 0 | 0 | 0 | 0 | 0 | 0 | 0 | 0 | 0 | 0 | 0 | 0 | 0 | 0 | 0 | | | | | |
| Magenta | -- | 1 | 1 | 1 | 1 | 1 | 1 | 1 | 1 | 0 | 0 | 0 | 0 | 0 | 0 | 0 | 1 | 1 | 1 | 1 | 1 | 1 | 1 | 1 | | | | | |
| Yellow | -- | 1 | 1 | 1 | 1 | 1 | 1 | 1 | 1 | 1 | 1 | 1 | 1 | 1 | 1 | 1 | 0 | 0 | 0 | 0 | 0 | 0 | 0 | 0 | | | | | |
| White | -- | 1 | 1 | 1 | 1 | 1 | 1 | 1 | 1 | 1 | 1 | 1 | 1 | 1 | 1 | 1 | 1 | 1 | 1 | 1 | 1 | 1 | 1 | 1 | | | | | |
| Black | R0 | 0 | 0 | 0 | 0 | 0 | 0 | 0 | 0 | 0 | 0 | 0 | 0 | 0 | 0 | 0 | 0 | 0 | 0 | 0 | 0 | 0 | 0 | 0 | | | | | |
| Darker | R1 | 1 | 0 | 0 | 0 | 0 | 0 | 0 | 0 | 0 | 0 | 0 | 0 | 0 | 0 | 0 | 0 | 0 | 0 | 0 | 0 | 0 | 0 | 0 | | | | | |
| | R2 | 0 | 1 | 0 | 0 | 0 | 0 | 0 | 0 | 0 | 0 | 0 | 0 | 0 | 0 | 0 | 0 | 0 | 0 | 0 | 0 | 0 | 0 | 0 | | | | | |
| Brighter | | : | : | : | : | : | : | : | : | : | : | : | : | : | : | : | : | : | : | : | : | : | : | : | | | | | |
| | | : | : | : | : | : | : | : | : | : | : | : | : | : | : | : | : | : | : | : | : | : | : | : | | | | | |
| | R253 | 1 | 0 | 1 | 1 | 1 | 1 | 1 | 1 | 0 | 0 | 0 | 0 | 0 | 0 | 0 | 0 | 0 | 0 | 0 | 0 | 0 | 0 | 0 | | | | | |
| | R254 | 0 | 1 | 1 | 1 | 1 | 1 | 1 | 0 | 0 | 0 | 0 | 0 | 0 | 0 | 0 | 0 | 0 | 0 | 0 | 0 | 0 | 0 | | | | | | |
| Red | R255 | 1 | 1 | 1 | 1 | 1 | 1 | 1 | 0 | 0 | 0 | 0 | 0 | 0 | 0 | 0 | 0 | 0 | 0 | 0 | 0 | 0 | 0 | | | | | | |
| Black | G0 | 0 | 0 | 0 | 0 | 0 | 0 | 0 | 0 | 0 | 0 | 0 | 0 | 0 | 0 | 0 | 0 | 0 | 0 | 0 | 0 | 0 | 0 | 0 | | | | | |
| Darker | G1 | 0 | 0 | 0 | 0 | 0 | 0 | 0 | 0 | 1 | 0 | 0 | 0 | 0 | 0 | 0 | 0 | 0 | 0 | 0 | 0 | 0 | 0 | 0 | | | | | |
| | G2 | 0 | 0 | 0 | 0 | 0 | 0 | 0 | 0 | 0 | 1 | 0 | 0 | 0 | 0 | 0 | 0 | 0 | 0 | 0 | 0 | 0 | 0 | 0 | | | | | |
| Brighter | | : | : | : | : | : | : | : | : | : | : | : | : | : | : | : | : | : | : | : | : | : | : | : | | | | | |
| | | : | : | : | : | : | : | : | : | : | : | : | : | : | : | : | : | : | : | : | : | : | : | : | | | | | |
| | G253 | 0 | 0 | 0 | 0 | 0 | 0 | 0 | 0 | 1 | 0 | 1 | 1 | 1 | 1 | 1 | 0 | 0 | 0 | 0 | 0 | 0 | 0 | 0 | | | | | |
| | G254 | 0 | 0 | 0 | 0 | 0 | 0 | 0 | 0 | 1 | 1 | 1 | 1 | 1 | 1 | 0 | 0 | 0 | 0 | 0 | 0 | 0 | 0 | | | | | | |
| Green | G255 | 0 | 0 | 0 | 0 | 0 | 0 | 0 | 1 | 1 | 1 | 1 | 1 | 1 | 1 | 0 | 0 | 0 | 0 | 0 | 0 | 0 | 0 | | | | | | |
| Black | B0 | 0 | 0 | 0 | 0 | 0 | 0 | 0 | 0 | 0 | 0 | 0 | 0 | 0 | 0 | 0 | 0 | 0 | 0 | 0 | 0 | 0 | 0 | 0 | | | | | |
| Darker | B1 | 0 | 0 | 0 | 0 | 0 | 0 | 0 | 0 | 0 | 0 | 0 | 0 | 0 | 0 | 0 | 1 | 0 | 0 | 0 | 0 | 0 | 0 | 0 | | | | | |
| | B2 | 0 | 0 | 0 | 0 | 0 | 0 | 0 | 0 | 0 | 0 | 0 | 0 | 0 | 0 | 0 | 0 | 1 | 0 | 0 | 0 | 0 | 0 | 0 | | | | | |
| Brighter | | : | : | : | : | : | : | : | : | : | : | : | : | : | : | : | : | : | : | : | : | : | : | : | | | | | |
| | | : | : | : | : | : | : | : | : | : | : | : | : | : | : | : | : | : | : | : | : | : | : | : | | | | | |
| | B253 | 0 | 0 | 0 | 0 | 0 | 0 | 0 | 0 | 0 | 0 | 0 | 0 | 0 | 0 | 0 | 1 | 0 | 1 | 1 | 1 | 1 | 1 | 1 | | | | | |
| | B254 | 0 | 0 | 0 | 0 | 0 | 0 | 0 | 0 | 0 | 0 | 0 | 0 | 0 | 0 | 0 | 1 | 1 | 1 | 1 | 1 | 1 | 1 | | | | | | |
| Blue | B255 | 0 | 0 | 0 | 0 | 0 | 0 | 0 | 0 | 0 | 0 | 0 | 0 | 0 | 0 | 1 | 1 | 1 | 1 | 1 | 1 | 1 | 1 | | | | | | |

Product Specification
3-6. Power Sequence

Table 7. POWER SEQUENCE TABLE

| Parameter | Value | | | Units |
|----------------|-------|------|------|-------|
| | Min. | Typ. | Max. | |
| T ₁ | 0.5 | - | 10 | (ms) |
| T ₂ | 0 | - | 50 | (ms) |
| T ₃ | 200 | - | - | (ms) |
| T ₄ | 200 | - | - | (ms) |
| T ₅ | 0 | - | 50 | (ms) |
| T ₆ | 0 | - | 10 | (ms) |
| T ₇ | 400 | - | - | (ms) |

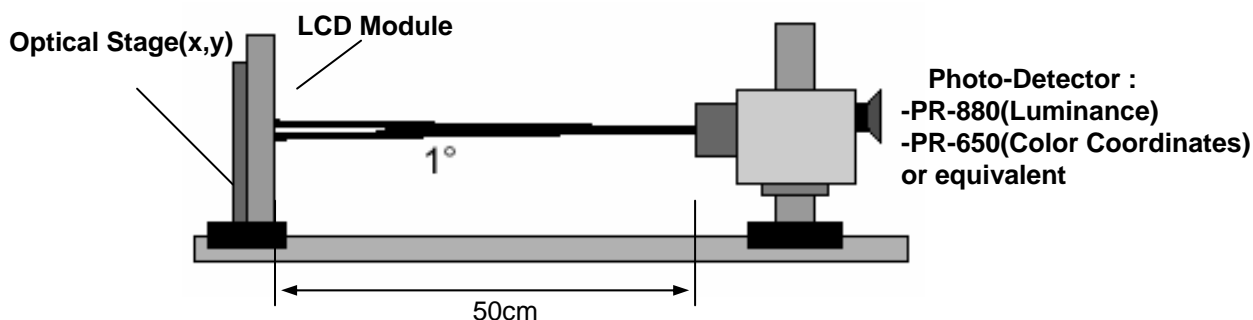
Note)

1. Please avoid floating state of interface signal at invalid period.
2. When the interface signal is invalid, be sure to pull down the power supply for LCD VCC to 0V.
3. Lamp power must be turn on after power supply for LCD and interface signal are valid.

Product Specification
4. Optical Specifications

Optical characteristics are determined after the unit has been 'ON' and stable for approximately 30 minutes in a dark environment at 25°C. The values specified are at an approximate distance 50cm from the LCD surface at a viewing angle of Φ and Θ equal to 0°.

FIG. 1 presents additional information concerning the measurement equipment and method.

FIG. 1 Optical Characteristic Measurement Equipment and Method

Table 9. OPTICAL CHARACTERISTICS
 $T_a=25^\circ\text{C}$, $V_{CC}=3.3\text{V}$, $f_v=60\text{Hz}$, $f_{CLK}=33.26\text{MHz}$, $I_{BL}=6.0\text{mA}_{RMS}$

| Parameter | Symbol | Values | | | Units | Notes |
|-------------------------------------|------------------|--------|-----|-----|-------------------|-------|
| | | Min | Typ | Max | | |
| Contrast Ratio | CR | - | 400 | - | | 1 |
| Surface Luminance, white | L_{WH} | - | 350 | - | cd/m ² | 2 |
| Luminance Variation | δ_{WHITE} | - | TBD | - | | 3 |
| Response Time | | | | | | 4 |
| : Rise Time | T_{rR} | - | 10 | - | ms | |
| : Decay Time | T_{rD} | - | 15 | - | ms | |
| Color Coordinates | | | | | | 2 |
| : RED | RX | TBD | TBD | TBD | | |
| : GREEN | GX | TBD | TBD | TBD | | |
| : BLUE | BX | TBD | TBD | TBD | | |
| : WHITE | WX | TBD | TBD | TBD | | |
| : Y | WY | TBD | TBD | TBD | | |
| Viewing Angle | | TBD | TBD | TBD | | 5 |
| : x axis, right ($\Phi=0^\circ$) | Θ_r | - | 65 | - | degree | |
| : x axis, left ($\Phi=180^\circ$) | Θ_l | - | 65 | - | degree | |
| : y axis, up ($\Phi=90^\circ$) | Θ_u | - | 50 | - | degree | |
| : y axis, down ($\Phi=270^\circ$) | Θ_d | - | 60 | - | degree | |
| Gray Scale | | | | | | 6 |

Product Specification

Note)

1. Contrast Ratio(CR) is defined mathematically as

$$\text{Contrast Ratio} = \frac{\text{Surface Luminance with all white pixels}}{\text{Surface Luminance with all black pixels}}$$

2. Surface luminance is measured at the center point(L
- ₁
-) of the LCD with all pixels displaying white at the distance of 50cm by PR-880. Color Coordinates are measured at the center point(L
- ₁
-) of the LCD with all pixels displaying red, green, blue and white at the distance of 50cm by PR-650. For more information, refer to the FIG 1 and FIG 2.
-
3. Luminance % uniformity is measured for 9 point For more information see FIG 2.
-
- $$\text{WHITE} = \text{Maximum}(L_1, L_2, \dots, L_9) \div \text{Minimum}(L_1, L_2, \dots, L_9)$$
-
4. Response time is the time required for the display to transition from white to black (Rise Time, Tr
- _R
-) and from black to white(Decay Time, Tr
- _D
-). For additional information see FIG 3.
-
5. Viewing angle is the angle at which the contrast ratio is greater than 10. The angles are determined for the horizontal or x axis and the vertical or y axis with respect to the z axis which is normal to the LCD surface. For more information see FIG 4.
-
6. Gray scale specification

| Gray Level | Luminance [%] (Typ) |
|------------|---------------------|
| L0 | TBD |
| L7 | TBD |
| L15 | TBD |
| L23 | TBD |
| L31 | TBD |
| L39 | TBD |
| L47 | TBD |
| L55 | TBD |
| L63 | TBD |

Product Specification

FIG. 2 Luminance

<measuring point for surface luminance & measuring point for luminance variation>

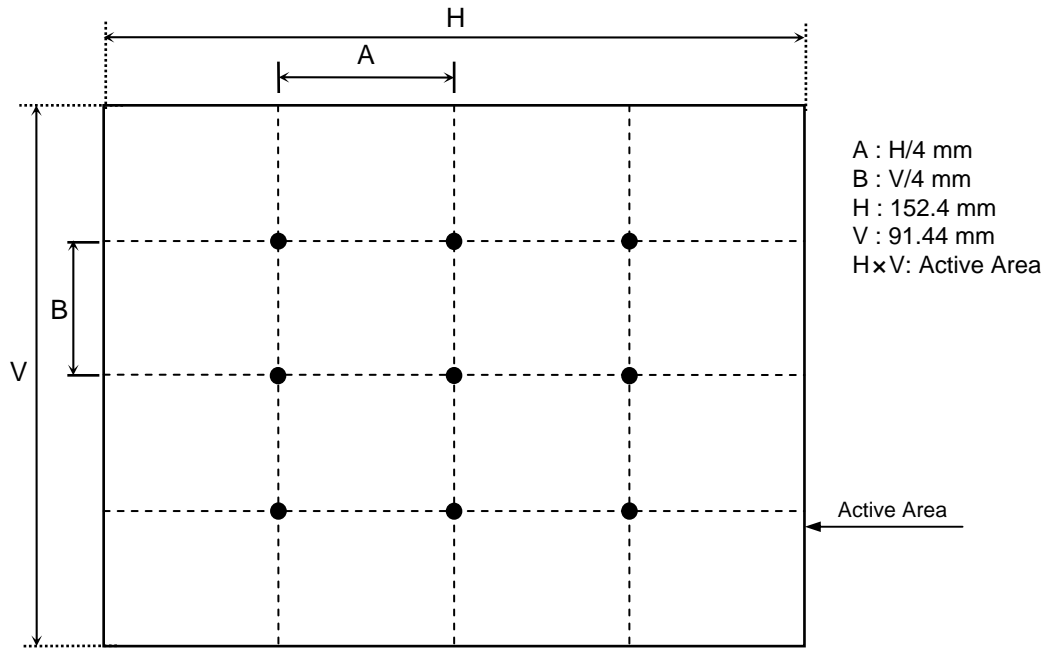
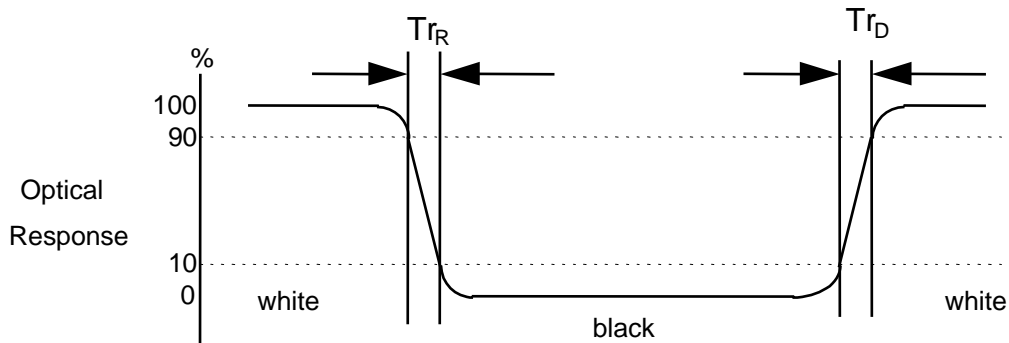


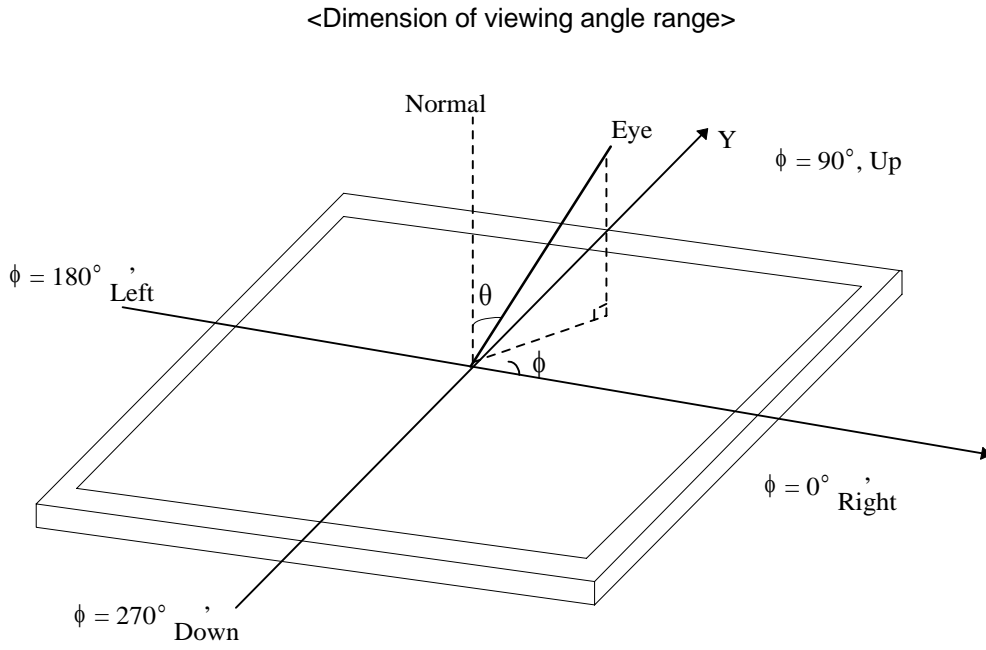
FIG. 3 Response Time

The response time is defined as the following figure and shall be measured by switching the input signal for "black" and "white".



Product Specification

FIG. 4 Viewing angle



Product Specification

5. Mechanical Characteristics

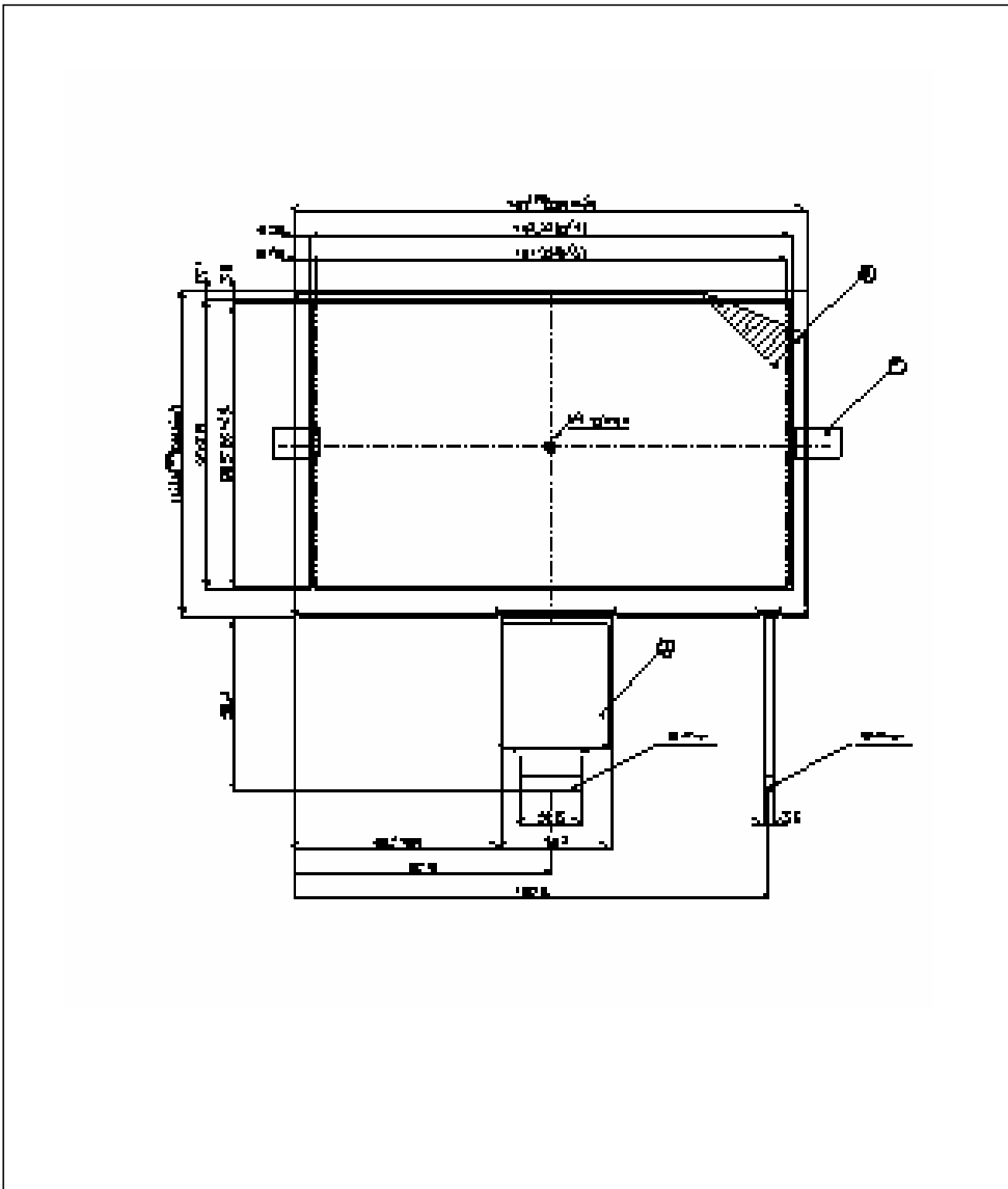
The contents provide general mechanical characteristics for the model LB070WV1. In addition the figures in the next page are detailed mechanical drawing of the LCD.

| | | |
|---------------------|---|------------------|
| Outline Dimension | Horizontal | 165 mm(Typ) |
| | Vertical | 104.6 mm(Typ) |
| | Depth | 3.6 mm (Typ.) |
| Bezel Area | Horizontal | 155.6 mm (Typ.) |
| | Vertical | 94.6 mm (Typ.) |
| Active Display Area | Horizontal | 152.40 mm (Typ.) |
| | Vertical | 91.44 mm (Typ.) |
| Weight | TBD | |
| Surface Treatment | Anti-glare treatment of the front polarizer | |

Product Specification

<FRONT VIEW>

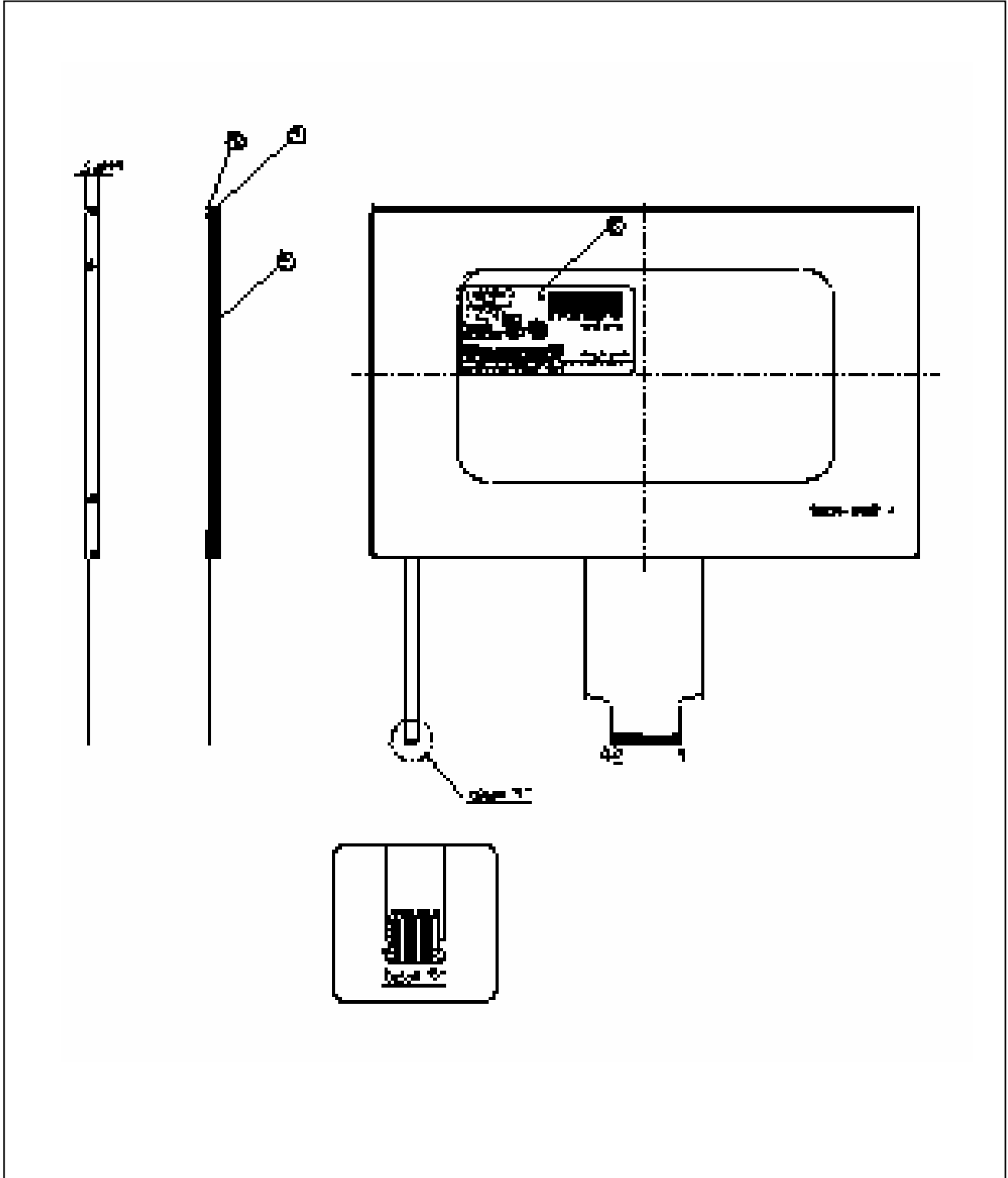
Note) Unit:[mm], General tolerance: $\pm 0.3\text{mm}$



Product Specification

<REAR VIEW>

Note) Unit:[mm], General tolerance: $\pm 0.3\text{mm}$



Product Specification

6. Reliability

Environment test condition

| No. | Test Item | Conditions |
|-----|---|---|
| 1 | High Temperature Storage Test | Ta=+80 240h |
| 2 | Low Temperature Storage Test | Ta=-30 240h |
| 3 | High Temperature Operation Test | Tp=+70 240h |
| 4 | Low Temperature Operation Test | Ta=-20 240h |
| 5 | High Temperature and High Humidity Operation Test | Ta=60 80%RH 240h |
| 6 | Vibration test (non-operating) | Sine wave, 10 ~ 500 ~ 10Hz, 1.5G, 0.37oct/min 3 axis, 1hour/axis |
| 7 | Shock test (non-operating) | Half sine wave, 100G, 6ms, 3 times shock of each six faces (±X / ±Y / ±Z) |
| 8 | Thermal Shock Test (non-operating) | -30 (0.5h) ~ 80 (0.5h) / 100 cycles |

Ta= Ambient Temperature, Tp= Panel Temperature

{ Result Evaluation Criteria }

There should be no change which might affect the practical display function when the display quality test is conducted under normal operating condition.

Product Specification

7. International Standards

7-1. Safety

- a) UL 60950, Third Edition, Underwriters Laboratories, Inc., Dated Dec. 11, 2000.
Standard for Safety of Information Technology Equipment, Including Electrical Business Equipment.
- b) CAN/CSA C22.2, No. 60950, Third Edition, Canadian Standards Association, Dec. 1, 2000.
Standard for Safety of Information Technology Equipment, Including Electrical Business Equipment.
- c) EN 60950 : 2000, Third Edition
IEC 60950 : 1999, Third Edition
European Committee for Electrotechnical Standardization(CENELEC)
EUROPEAN STANDARD for Safety of Information Technology Equipment Including Electrical Business Equipment.

7-2. EMC

- a) ANSI C63.4 "Methods of Measurement of Radio-Noise Emissions from Low-Voltage Electrical and Electrical Equipment in the Range of 9kHz to 40GHz. "American National Standards Institute(ANSI), 1992
- b) C.I.S.P.R. "Limits and Methods of Measurement of Radio Interface Characteristics of Information Technology Equipment." International Special Committee on Radio Interference.
- c) EN 55022 "Limits and Methods of Measurement of Radio Interface Characteristics of Information Technology Equipment." European Committee for Electrotechnical Standardization.(CENELEC), 1998 (Including A1: 2000)



Product Specification

8. Packing**8-1. Designation of Lot Mark**

a) Lot Mark

| | | | | | | | | | | | | |
|---|---|---|---|---|---|---|---|---|---|---|---|---|
| A | B | C | D | E | F | G | H | I | J | K | L | M |
|---|---|---|---|---|---|---|---|---|---|---|---|---|

A,B,C : SIZE(INCH)

E : MONTH

G : ASSEMBLY CODE

D : YEAR

F : FACTORY CODE

H ~ M : SERIAL NO.

Note

1. YEAR

| | | | | | | | | | | | |
|------|----|----|----|------|------|------|------|------|------|------|------|
| Year | 97 | 98 | 99 | 2000 | 2001 | 2002 | 2003 | 2004 | 2005 | 2006 | 2007 |
| Mark | 7 | 8 | 9 | 0 | 1 | 2 | 3 | 4 | 5 | 6 | 7 |

2. MONTH

| | | | | | | | | | | | | |
|-------|-----|-----|-----|-----|-----|-----|-----|-----|-----|-----|-----|-----|
| Month | Jan | Feb | Mar | Apr | May | Jun | Jul | Aug | Sep | Oct | Nov | Dec |
| Mark | 1 | 2 | 4 | 4 | 5 | 6 | 7 | 8 | 9 | A | B | C |

3. FACTORY CODE

| | | | |
|--------------|----------|-------------|---------|
| Factory Code | LPL Gumi | LPL Nanjing | HEESUNG |
| Mark | K | C | D |

4. SERIAL NO.

| | |
|------|---|
| Mark | 100001~199999, 200001~299999, 300001~399999, ..., A00001~A99999, ..., Z00001~Z99999 |
|------|---|

b) Location of Lot Mark

Serial NO. is printed on the label. The label is attached to the backside of the LCD module.
This is subject to change without prior notice.

8-2. Packing Forma) Package quantity in one box : **36 pcs**b) Box Size : **475 mm × 348 mm × 182 mm**

Product Specification

9. PRECAUTIONS

Please pay attention to the followings when you use this TFT LCD module.

9-1. MOUNTING PRECAUTIONS

- (1) You must mount a module using holes arranged in four corners or four sides.
- (2) You should consider the mounting structure so that uneven force (ex. Twisted stress) is not applied to the module. And the case on which a module is mounted should have sufficient strength so that external force is not transmitted directly to the module.
- (3) Please attach the surface transparent protective plate to the surface in order to protect the polarizer. Transparent protective plate should have sufficient strength in order to resist external force.
- (4) You should adopt radiation structure to satisfy the temperature specification.
- (5) Acetic acid type and chlorine type materials for the cover case are not desirable because the former generates corrosive gas of attacking the polarizer at high temperature and the latter causes circuit break by electro-chemical reaction.
- (6) Do not touch, push or rub the exposed polarizers with glass, tweezers or anything harder than HB pencil lead. And please do not rub with dust clothes with chemical treatment. Do not touch the surface of polarizer for bare hand or greasy cloth. (Some cosmetics are detrimental to the polarizer.)
- (7) When the surface becomes dusty, please wipe gently with absorbent cotton or other soft materials like chamois soaks with petroleum benzene. Normal-hexane is recommended for cleaning the adhesives used to attach front / rear polarizers. Do not use acetone, toluene and alcohol because they cause chemical damage to the polarizer.
- (8) Wipe off saliva or water drops as soon as possible. Their long time contact with polarizer causes deformations and color fading.
- (9) Do not open the case because inside circuits do not have sufficient strength.

9-2. OPERATING PRECAUTIONS

- (1) The spike noise causes the mis-operation of circuits. It should be lower than following voltage :
 $V = \pm 200\text{mV}$ (Over and under shoot voltage)
- (2) Response time depends on the temperature. (In lower temperature, it becomes longer.)
- (3) Brightness depends on the temperature. (In lower temperature, it becomes lower.)
And in lower temperature, response time (required time that brightness is stable after turned on) becomes longer.
- (4) Be careful for condensation at sudden temperature change. Condensation makes damage to polarizer or electrical contacted parts. And after fading condensation, smear or spot will occur.
- (5) When fixed patterns are displayed for a long time, remnant image is likely to occur.
- (6) Module has high frequency circuits. Sufficient suppression to the electromagnetic interference shall be done by system manufacturers. Grounding and shielding methods may be important to minimize the interference.

Product Specification**9-3. ELECTROSTATIC DISCHARGE CONTROL**

Since a module is composed of electronic circuits, it is not strong to electrostatic discharge. Make certain that treatment persons are connected to ground through wrist band etc. And don't touch interface pin directly.

9-4. PRECAUTIONS FOR STRONG LIGHT EXPOSURE

Strong light exposure causes degradation of polarizer and color filter.

9-5. STORAGE

When storing modules as spares for a long time, the following precautions are necessary.

- (1) Store them in a dark place. Do not expose the module to sunlight or fluorescent light. Keep the temperature between 5°C and 35°C at normal humidity.
- (2) The polarizer surface should not come in contact with any other object.
It is recommended that they be stored in the container in which they were shipped.

9-6. HANDLING PRECAUTIONS FOR PROTECTION FILM

- (1) When the protection film is peeled off, static electricity is generated between the film and polarizer.
This should be peeled off slowly and carefully by people who are electrically grounded and with well ion-blown equipment or in such a condition, etc.
- (2) The protection film is attached to the polarizer with a small amount of glue. If some stress is applied to rub the protection film against the polarizer during the time you peel off the film, the glue is apt to remain on the polarizer.
Please carefully peel off the protection film without rubbing it against the polarizer.
- (3) When the module with protection film attached is stored for a long time, sometimes there remains a very small amount of glue still on the polarizer after the protection film is peeled off.
- (4) You can remove the glue easily. When the glue remains on the polarizer surface or its vestige is recognized, please wipe them off with absorbent cotton waste or other soft material like chamois soaked with normal-hexane.