



# LB11650H

## PWM Input Forward/Reverse Motor Driver

### Overview

The LB11650H is a full bridge driver that supports switching between forward and reverse directions. It operates in one of four modes under application control: forward, reverse, brake, and open. It also supports direct PWM control from an external signal. The LB11650 is optimal for driving brush DC motors and bipolar stepping motors.

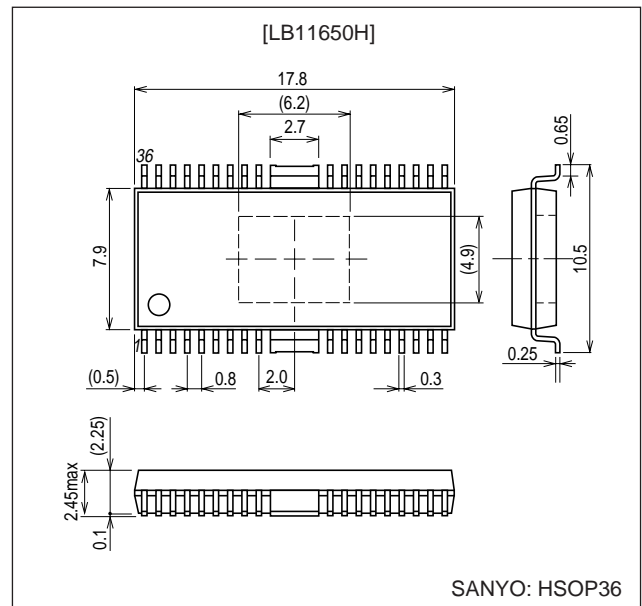
### Features

- Supports PWM input
- Built-in high and low side diodes
- Simultaneous on state prevention function (prevents through currents)
- Built-in thermal shutdown circuit (latching type)
- High and low side short circuit protection function (latching type overcurrent protection)
- Externally controllable modes: forward, reverse, brake, open
- Standby mode function

### Package Dimensions

unit: mm

3235A-HSOP36



### Specifications

#### Absolute Maximum Ratings at Ta = 25°C

Parameter	Symbol	Conditions	Ratings	Unit
Motor supply voltage	VM max		30	V
Peak output current	IO PEAK	tW ≤ 10 μs	2.0	A
Continuous output current	IO max		1.5	A
Logic system supply voltage	VCC max		7.0	V
Allowable power dissipation	Pd max	When mounted on a glass epoxy circuit board (reference value): 114.3 mm × 76.1 mm × 1.6 mm	1.75	W
Operating temperature	Topr		-20 to +85	°C
Storage temperature	Tstg		-55 to +150	°C

■ Any and all SANYO products described or contained herein do not have specifications that can handle applications that require extremely high levels of reliability, such as life-support systems, aircraft's control systems, or other applications whose failure can be reasonably expected to result in serious physical and/or material damage. Consult with your SANYO representative nearest you before using any SANYO products described or contained herein in such applications.

■ SANYO assumes no responsibility for equipment failures that result from using products at values that exceed, even momentarily, rated values (such as maximum ratings, operating condition ranges, or other parameters) listed in products specifications of any and all SANYO products described or contained herein.

**SANYO Electric Co.,Ltd. Semiconductor Company**

TOKYO OFFICE Tokyo Bldg., 1-10, 1 Chome, Ueno, Taito-ku, TOKYO, 110-8534 JAPAN

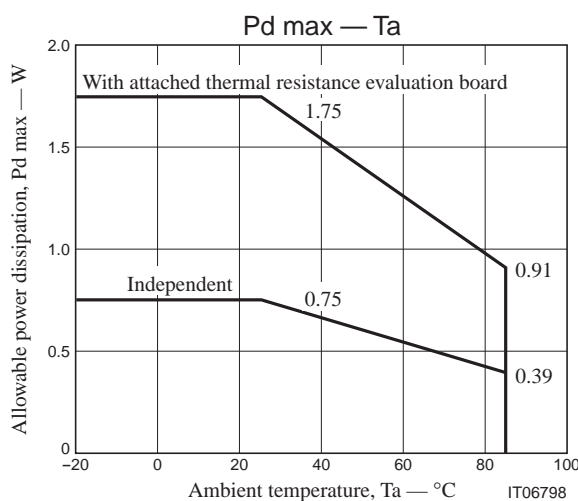
Recommended Operating Ranges at  $T_a = 25^\circ\text{C}$ 

Parameter	Symbol	Conditions	Ratings	Unit
Motor supply voltage	VM		8 to 28	V
Logic system supply voltage	V <sub>CC</sub>		3.0 to 5.25	V
Logic input voltage range	V <sub>IN</sub>		-0.3 to V <sub>CC</sub>	V

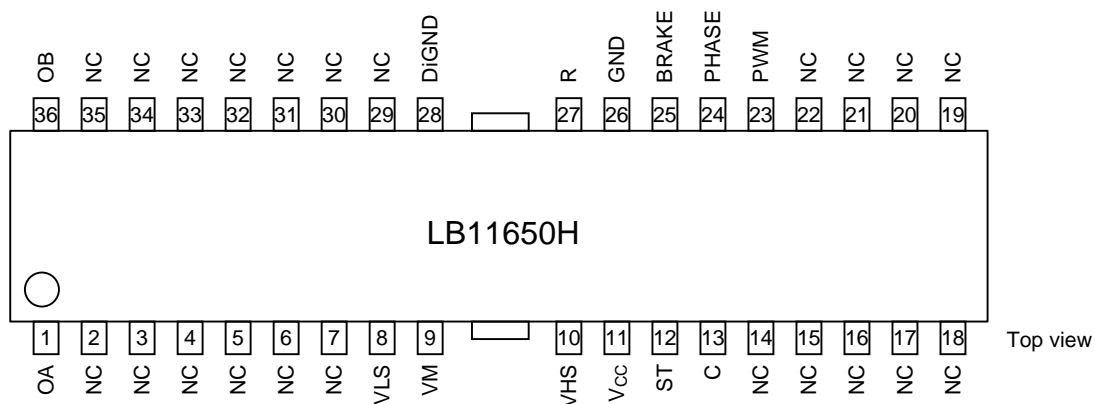
Electrical Characteristics at  $T_a = 25^\circ\text{C}$ , VM = 24 V, V<sub>CC</sub> = 5 V

Parameter	Symbol	Conditions	Ratings			Unit
			min	typ	max	
[Output Block]						
Output stage supply current 1	IM ON	With no load, ST = high	0.84	1.2	1.56	mA
Output stage supply current 2	IM wt	With no load, ST = low			50	μA
Output saturation voltage 1	V <sub>O</sub> sat1	I <sub>O</sub> = +0.5 A, sink side		0.3	0.5	V
Output saturation voltage 2	V <sub>O</sub> sat2	I <sub>O</sub> = +1.0 A, sink side		0.5	0.7	V
Output saturation voltage 3	V <sub>O</sub> sat3	I <sub>O</sub> = -0.5 A, source side		1.5	1.8	V
Output saturation voltage 4	V <sub>O</sub> sat4	I <sub>O</sub> = -1.0 A, source side		1.7	2.0	V
Output leakage current	I <sub>O</sub> leak	V <sub>O</sub> = VM, sink side			50	μA
		V <sub>O</sub> = 0 V, source side	-50			μA
[Logic Block]						
Logic supply current	I <sub>CC</sub> ON	V <sub>CC</sub> = 5 V, with the R pin open BRAKE: LOW, PWM: HI, ST: HI	50	68	85	mA
		V <sub>CC</sub> = 3.3 V, with the R pin shorted to V <sub>CC</sub> BRAKE: LOW, PWM: HI, ST: HI	55	75	95	mA
	I <sub>CC</sub> BR	BRAKE: HI, PWM: HI, ST: HI	3.4	4.7	6.0	mA
	I <sub>CC</sub> OFF	BRAKE: LOW, PWM: LOW, ST: HI	4.0	5.2	6.5	mA
	I <sub>CC</sub> wt	ST: LOW			50	μA
Input voltage	V <sub>INH</sub>		2.0			V
	V <sub>INL</sub>				0.8	V
Input current	I <sub>INH</sub>	V <sub>IN</sub> = 3.3 V	35	50	75	μA
	I <sub>INL</sub>	V <sub>IN</sub> = 0.8 V	5	10	13	μA
C pin charge current	IC	VC = 0 V	35	50	65	μA
C pin output off threshold voltage	V <sub>tc</sub>		1.17	1.3	1.43	V
VHS pin current detection threshold voltage	V <sub>tVHS</sub>		VM - 0.55	VM - 0.5	VM - 0.45	V
VLS pin current detection threshold voltage	V <sub>tVLS</sub>		0.45	0.5	0.55	V
Low voltage cutoff voltage	VLVSD		2.25	2.5	2.75	V
Low voltage cutoff hysteresis	VLVHYS		0.15	0.2	0.25	V
Thermal shutdown temperature	TTSD	Design target value*	150	175		°C

\*: This is a design target value and is not measured.



## Pin Assignment



## Truth Table

PHASE	BRAKE	ST	PWM	OA	OB	Operating mode
H	L	H	H	H	L	Forward
L	L	H	H	L	H	Reverse
X	L	H	L	OFF	OFF	Output off
X	H	H	X	H	H	Brake
X	X	L or OPEN	X	OFF	OFF	Standby mode (circuits off)

X: H or L

## Pin Functions

Pin No.	Pin	Pin function
1	OA	Output
36	OB	Output
10	VHS	High side current sensing (Insert an external resistor between VM and VHS. When the voltage across this resistor reaches 0.5 V, the outputs are turned off.)
8	VLS	Low side current sensing (Insert an external resistor between VLS and ground. When the voltage across this resistor reaches 0.5 V, the outputs are turned off.)
13	C	Connection for an external filter capacitor that prevents incorrect operation of the current sensing output shutdown and thermal shutdown circuits.
9	VM	Motor system power supply
11	V <sub>CC</sub>	Logic system power supply
24	PHASE	Forward/reverse switching pin
25	BRAKE	Brake control input. A high input switches the IC to brake mode.
12	ST	Standby mode control. The IC operates in standby mode when this pin is low or open.
23	PWM	PWM input. High: on Low: off
27	R	Low side drive current switching. (Short R to V <sub>CC</sub> when V <sub>CC</sub> is 3.3 V, and leave R open when V <sub>CC</sub> = 5.0 V.)
26	GND	Ground
28	DiGND	Lower side regeneration diode ground connection
Other pins	N.C.	No connect pins

### High/Low Short Protection Function

This function turns the outputs off to prevent destruction of the IC if a problem such as an output pin being shorted to VM or ground occurs and excessive current flows in the output transistors.

When an excessive current flows in an output transistor, a potential will occur across either the high side or the low side current sense resistor. If that value exceeds the current detection threshold voltage, the capacitor connected to the C pin starts to charge. Then, when the C pin voltage is charged to the output off threshold voltage, the output transistors are turned off.

To restart the IC once it has gone to the output off state, either set the ST pin to the low level, or temporarily cut the  $V_{CC}$  power supply, and then reapply power.

The overcurrent detection current setting can be set to an arbitrary level with the resistor inserted between VM and VHS for current flowing in the high side output transistor, and with the resistor inserted between VLS and ground for current flowing in the low side output transistor.

When the resistor connected to VHS or VLS pin is  $R$  ( $\Omega$ ), the detected current  $I$  (A) will be as follows.

$$I \text{ (A)} = 0.5 \text{ (V)} / R \text{ (\Omega)}$$

For example, if  $R$  is  $0.5 \Omega$ , the detected current  $I$  will be 1 A.

This function is not an output current limiter function.

The detection current described above has the meaning that the short-circuit protection circuit begins to operate when a current in excess of the detection current flows in the outputs. Therefore, if an output pin is shorted to VM or ground, the maximum possible overcurrent that the output transistors are capable of will flow until the mask time set with the filter circuit has elapsed. Designers must exert great care in designing the mask time setting.

### Filter Circuit

To prevent the overcurrent protection and thermal shutdown circuits from operating incorrectly due to noise, the LB11650 includes a circuit that sets a mask time so that when an abnormality is detected, it only turns the outputs off if that state continues for a certain length of time.

When the capacitor connected between the C pin and ground is  $C$  (pF), the mask time  $T$  ( $\mu$ s) will be as follows.

$$T \text{ (\mu s)} = 2.6 \times 10^{-2} \times C \text{ (pF)}$$

For example, if  $C$  is 50 pF, the mask time  $T$  will be 1.3  $\mu$ s.

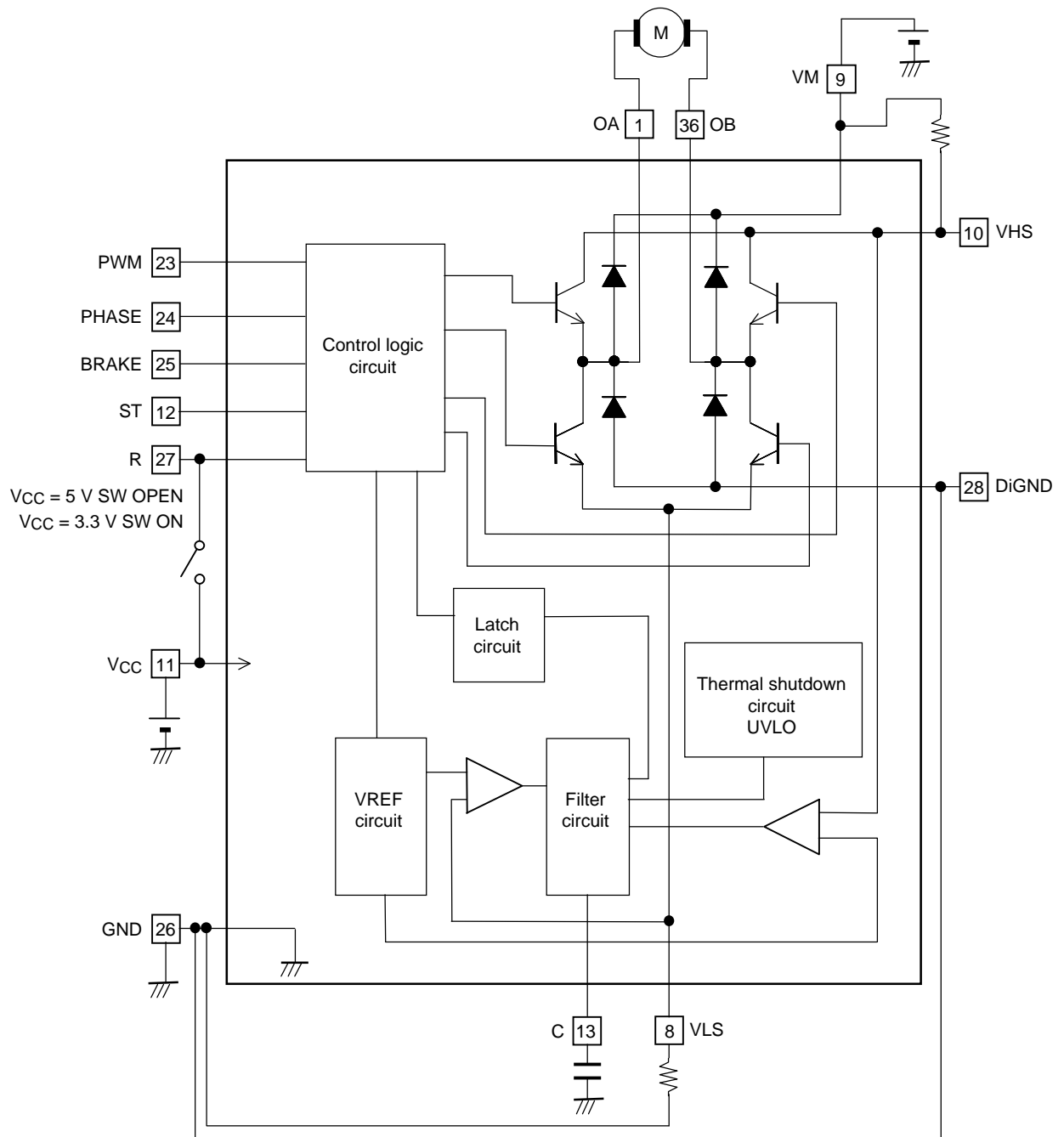
### Low Side Transistor Drive Current Switching Pin

Since the lower side output transistor drive current is created from  $V_{CC}$ , if the  $V_{CC}$  power supply level is reduced, the drive current will also be reduced. Therefore, the LB11650 is provided with a pin for switching the drive current so that the LB11650 can provide the same drive current when used with 3.3 V specifications as it does when used with 5 V specifications.

When  $V_{CC} = 5 \text{ V}$ : Leave the R pin open.

When  $V_{CC} = 3.3 \text{ V}$ : Short the R pin to  $V_{CC}$ .

Block Diagram



- Specifications of any and all SANYO products described or contained herein stipulate the performance, characteristics, and functions of the described products in the independent state, and are not guarantees of the performance, characteristics, and functions of the described products as mounted in the customer's products or equipment. To verify symptoms and states that cannot be evaluated in an independent device, the customer should always evaluate and test devices mounted in the customer's products or equipment.
- SANYO Electric Co., Ltd. strives to supply high-quality high-reliability products. However, any and all semiconductor products fail with some probability. It is possible that these probabilistic failures could give rise to accidents or events that could endanger human lives, that could give rise to smoke or fire, or that could cause damage to other property. When designing equipment, adopt safety measures so that these kinds of accidents or events cannot occur. Such measures include but are not limited to protective circuits and error prevention circuits for safe design, redundant design, and structural design.
- In the event that any or all SANYO products (including technical data, services) described or contained herein are controlled under any of applicable local export control laws and regulations, such products must not be exported without obtaining the export license from the authorities concerned in accordance with the above law.
- No part of this publication may be reproduced or transmitted in any form or by any means, electronic or mechanical, including photocopying and recording, or any information storage or retrieval system, or otherwise, without the prior written permission of SANYO Electric Co., Ltd.
- Any and all information described or contained herein are subject to change without notice due to product/technology improvement, etc. When designing equipment, refer to the "Delivery Specification" for the SANYO product that you intend to use.
- Information (including circuit diagrams and circuit parameters) herein is for example only; it is not guaranteed for volume production. SANYO believes information herein is accurate and reliable, but no guarantees are made or implied regarding its use or any infringements of intellectual property rights or other rights of third parties.

This catalog provides information as of November, 2003. Specifications and information herein are subject to change without notice.