



**SANYO Semiconductors**  
**DATA SHEET**

**Monolithic Digital IC**  
**LB11876 — For Polygonal Mirror Motors**  
**Three-Phase Brushless Motor Driver**

**Overview**

The LB11876 is a 3-phase brushless motor driver developed for driving the polygonal mirror motor in plain-paper copiers and similar products. It can support any motor voltage and motor current required by the use of appropriate external components.

The LB11876 adopts direct PWM drive to achieve drive with minimal power loss.

**Functions**

- This is a version of the LB11875 with a modified constraint protection function.
- Three-phase bipolar drive (direct PWM)
- PLL speed control circuit
- Dedicated external clock
- Clock divider switching function
- Hall sensor FG support
- Short-circuit braking function
- Built-in current limiter, thermal protection, constraint protection, and undervoltage protection circuits

**Specifications**

**Absolute Maximum Ratings** at Ta = 25°C

Parameter	Symbol	Conditions	Ratings	Unit
Supply voltage	V <sub>CC</sub> max		18	V
Input current	I <sub>I3</sub> max	V13 pin	5	mA
Output current	I <sub>O</sub> max	UL pin, VL pin, WL pin, UH pin, VH pin, and WH pin	30	mA
LVSD pin apply voltage	LVSD max		18	V

Continued on next page.

■ Any and all SANYO Semiconductor Co.,Ltd. products described or contained herein are, with regard to "standard application", intended for the use as general electronics equipment (home appliances, AV equipment, communication device, office equipment, industrial equipment etc.). The products mentioned herein shall not be intended for use for any "special application" (medical equipment whose purpose is to sustain life, aerospace instrument, nuclear control device, burning appliances, transportation machine, traffic signal system, safety equipment etc.) that shall require extremely high level of reliability and can directly threaten human lives in case of failure or malfunction of the product or may cause harm to human bodies, nor shall they grant any guarantee thereof. If you should intend to use our products for applications outside the standard applications of our customer who is considering such use and/or outside the scope of our intended standard applications, please consult with us prior to the intended use. If there is no consultation or inquiry before the intended use, our customer shall be solely responsible for the use.

■ Specifications of any and all SANYO Semiconductor Co.,Ltd. products described or contained herein stipulate the performance, characteristics, and functions of the described products in the independent state, and are not guarantees of the performance, characteristics, and functions of the described products as mounted in the customer's products or equipment. To verify symptoms and states that cannot be evaluated in an independent device, the customer should always evaluate and test devices mounted in the customer's products or equipment.

# LB11876

www.datasheet4u.com

Continued from preceding page.

Parameter	Symbol	Conditions	Ratings	Unit
Allowable power dissipation 1	Pd max1	Independent IC	0.62	W
Allowable power dissipation 2	Pd max2	When mounted on a circuit board *1	1.36	W
Operating temperature	Topr		-20 to +80	°C
Storage temperature	Tstg		-55 to +150	°C

\*1 Specified circuit board : 114.3 × 76.1 × 1.6mm<sup>3</sup>, glass epoxy.

## Allowable Operating Ranges at Ta = 25°C

Parameter	Symbol	Conditions	Ratings	Unit
Supply voltage range 1	V <sub>CC1</sub>		8 to 17	V
Supply voltage range 2	V <sub>CC2</sub>	With V <sub>CC</sub> shorted to VREG	4.5 to 5.5	V
Input current range	I <sub>I3</sub>	V13 pin	0.5 to 4	mA
Output current	I <sub>O</sub>	UL pin, VL pin, WL pin, UH pin, VH pin, and WH pin	20	mA
5V constant voltage output	I <sub>REG</sub>		0 to -30	mA
LD pin apply voltage	V <sub>LD</sub>		0 to 17	V
LD pin output current	I <sub>LD</sub>		0 to 15	mA
FGS pin apply voltage	V <sub>FGS</sub>		0 to 17	V
FGS pin output current	I <sub>FGS</sub>		0 to 10	mA

## Electrical Characteristics at Ta = 25°C, V<sub>CC</sub> = 12V

Parameter	Symbol	Conditions	Ratings			Unit
			min	typ	max	
Supply current 1	I <sub>CC1</sub>			15	25	mA
Supply current 2	I <sub>CC2</sub>	Stop mode		3	5	mA
<b>5V constant voltage output (VREG pin)</b>						
Output voltage	V <sub>REG</sub>		4.65	5.0	5.35	V
Line regulation	ΔV <sub>REG1</sub>	V <sub>CC</sub> = 8 to 13.5V		40	100	mV
Load regulation	ΔV <sub>REG2</sub>	I <sub>O</sub> = 0 to -15mA		20	100	mV
Temperature coefficient	ΔV <sub>REG3</sub>	Design target		0		mV/°C
<b>13V constant voltage output (V13 pin)</b>						
Output voltage	V <sub>13</sub>	I <sub>O</sub> = 2mA	12.5	13.5	14.5	V
<b>Output Block</b>						
Output saturation voltage 1-1	V <sub>O sat1-1</sub>	Low level, I <sub>O</sub> = 400μA		0.2	0.5	V
Output saturation voltage 1-2	V <sub>O sat1-2</sub>	Low level, I <sub>O</sub> = 10mA		0.9	1.2	V
Output saturation voltage 2	V <sub>O sat2</sub>	High level, I <sub>O</sub> = -20mA	V <sub>CC</sub> - 1.2	V <sub>CC</sub> - 0.9		V
Output leakage current	I <sub>O leak</sub>				10	μA
<b>Hall Sensor Amplifier Block</b>						
Input bias current	I <sub>HB</sub> (HA)		-2	-0.5		μA
Common-mode input voltage range1	V <sub>ICM1</sub> (HA)	When a Hall sensor is used	0.5		V <sub>CC</sub> - 2.0	V
Common-mode input voltage range2	V <sub>ICM2</sub> (HA)	When a single-sided input bias is used (using a Hall sensor IC)	0		V <sub>CC</sub>	V
Input sensitivity		Sine wave	80			mVp-p
Hysteresis	ΔV <sub>IN</sub> (HA)		15	24	42	mV
Input current low → high	V <sub>SLH</sub> (HA)			12		mV
Input current high → low	V <sub>SHL</sub> (HA)			-12		mV
<b>FG Schmitt Trigger Block</b>						
Input bias current	I <sub>B</sub> (FGS)		-2	-0.5		μA
Common-mode input voltage range1	V <sub>ICM1</sub> (FGS)	When a Hall sensor is used	0.5		V <sub>CC</sub> - 2.0	V
Common-mode input voltage range2	V <sub>ICM2</sub> (FGS)	When a single-sided input bias is used (using a Hall sensor IC)	0		V <sub>CC</sub>	V
Input sensitivity	V <sub>IN</sub> (FGS)	Sine wave	80			mVp-p
Hysteresis	ΔV <sub>IN</sub> (FGS)	Design target	15	24	42	mV
Input current low → high	V <sub>SLH</sub> (FGS)	Design target		12		mV
Input current high → low	V <sub>SHL</sub> (FGS)	Design target		-12		mV

Continued on next page.

# LB11876

www.datasheet4u.com

Continued from preceding page.

Parameter	Symbol	Conditions	Ratings			Unit
			min	typ	max	
<b>FGS Output</b>						
Output saturation voltage	$V_{OL}$ (FGS)	$I_{LD} = 7\text{mA}$		0.15	0.5	V
Output leakage current	$I_L$ (FGS)	$V_O = V_{CC}$			10	$\mu\text{A}$
<b>PWM Oscillator</b>						
High-level output voltage	$V_{OH}$ (PWM)		2.6	2.9	3.2	V
Low-level output voltage	$V_{OL}$ (PWM)		1.4	1.7	2.0	V
External capacitor charge current	ICHG	VPWM = 2.0V	-65	-50	-35	$\mu\text{A}$
Oscillator frequency	f (PWM)	C = 620pF		50		kHz
Amplitude	V (PWM)		1.0	1.2	1.4	Vp-p
<b>CSD Oscillator Circuit</b>						
High-level output voltage	$V_{OH}$ (CSD)		3.2	3.5	3.8	V
Low-level output voltage	$V_{OL}$ (CSD)		0.9	1.1	1.3	V
External capacitor charge current	ICHG1		-13	-10	-7	$\mu\text{A}$
External capacitor discharge current	ICHG2		7	10	13	$\mu\text{A}$
Oscillator frequency	f (CSD)	C = 0.068 $\mu\text{F}$		30		Hz
Amplitude	V (CSD)		2.2	2.4	2.6	Vp-p
<b>Phase Comparator Output</b>						
High-level input voltage	VPDH	$I_{OH} = -100\mu\text{A}$	VREG - 0.2	VREG - 0.1		V
Low-level input voltage	VPDL	$I_{OH} = 100\mu\text{A}$		0.2	0.3	V
Input source current	IPD+	VPD = VREG/2			-0.6	mA
Input sink current	IPD-	VPD = VREG/2	1.5			mA
<b>Phase Lock Detection Output</b>						
Output saturation voltage	$V_{OL}$ (LD)	$I_{LD} = 10\text{mA}$		0.15	0.4	V
Output leakage current	$I_L$ (LD)	$V_O = V_{CC}$			10	$\mu\text{A}$
<b>Error Amplifier Block</b>						
Input offset voltage	$V_{IO}$ (ER)	Design target value	-10		10	mV
Input bias current	IB (ER)		-0.4		0.4	$\mu\text{A}$
High-level output voltage	$V_{OH}$ (ER)	IEI = -0.1mA, no load		3.7		V
Low-level output voltage	$V_{OL}$ (ER)	IEI = 0.1mA, no load		1.3		V
DC bias level	VB (ER)	Design target value	-5%	VREG/2	5%	V
<b>Current Limiter Circuit</b>						
Limiter voltage	VRF		0.225	0.25	0.275	V
<b>Low Voltage Protection Circuit</b>						
Operating voltage	VSDL		3.5	3.7	3.9	V
Release voltage	VSDH		4.0	4.2	4.4	V
Hysteresis	$\Delta\text{VSD}$		0.35	0.5	0.65	V
<b>Thermal shutdown circuit</b>						
Thermal shutdown operating temperature	TSD	Design target value (junction temperature)	150	180		$^{\circ}\text{C}$
Thermal shutdown temperature hysteresis	$\Delta\text{TSD}$	Design target value (junction temperature)		30		$^{\circ}\text{C}$
<b>CLD Circuit</b>						
External capacitor discharge current	ICLD		-5	-4	-3	$\mu\text{A}$
Operating voltage	$V_H$ (CLD)		3.25	3.5	3.75	V

Continued on next page.

# LB11876

www.datasheet4u.com

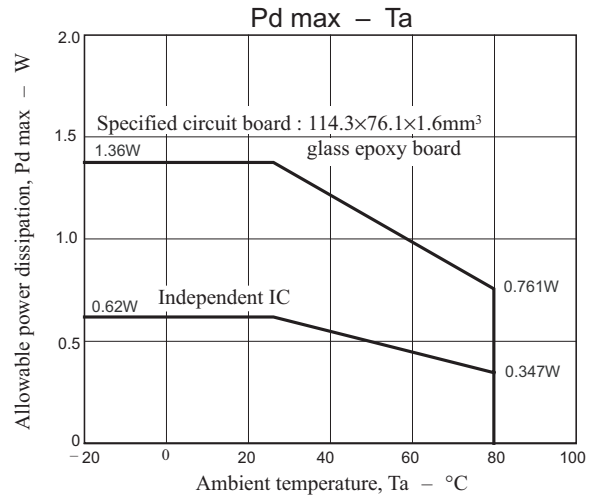
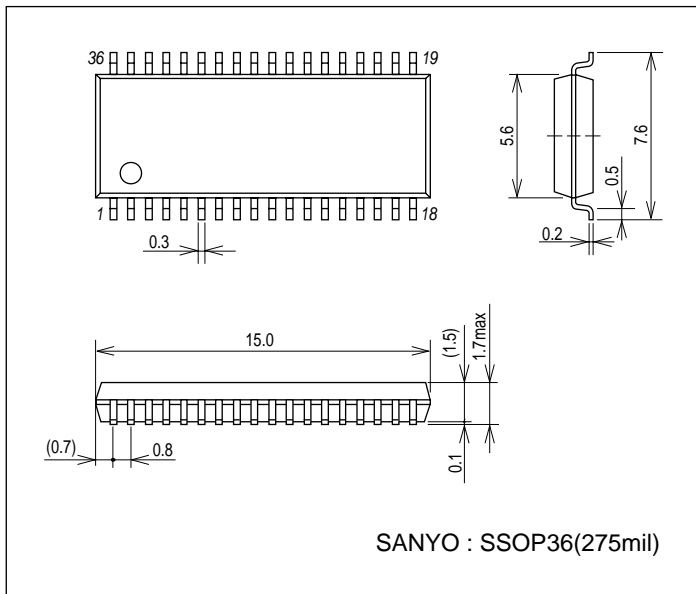
Continued from preceding page.

Parameter	Symbol	Conditions	Ratings			Unit
			min	typ	max	
<b>CLKIN pin</b>						
External input frequency	f <sub>I</sub> (CKIN)		0.1		10	kHz
High-level input voltage	V <sub>IH</sub> (CKIN)		2.0		VREG	V
Low-level input voltage	V <sub>IL</sub> (CKIN)		0		1.0	V
Input open voltage	V <sub>IO</sub> (CKIN)		VREG – 0.5		VREG	V
Hysteresis	V <sub>IS</sub> (CKIN)		0.13	0.21	0.29	V
High-level input current	I <sub>IH</sub> (CKIN)	VCKIN = VREG	-10	0	10	μA
Low-level input current	I <sub>IL</sub> (CKIN)	VCKIN = 0V	-130	-90		μA
<b>S/S pin</b>						
High-level input voltage	V <sub>IH</sub> (SS)		2.0		VREG	V
Low-level input voltage	V <sub>IL</sub> (SS)		0		1.0	V
Input open voltage	V <sub>IO</sub> (SS)		VREG – 0.5		VREG	V
Hysteresis	V <sub>IS</sub> (SS)		0.13	0.21	0.29	V
High-level input current	I <sub>IH</sub> (SS)	VS/S = VREG	-10	0	10	μA
Low-level input current	I <sub>IL</sub> (SS)	VS/S = 0V	-130	-90		μA
<b>F/R pin</b>						
High-level input voltage	V <sub>IH</sub> (FR)		2.0		VREG	V
Low-level input voltage	V <sub>IL</sub> (FR)		0		1.0	V
Input open voltage	V <sub>IO</sub> (FR)		VREG – 0.5		VREG	V
Hysteresis	V <sub>IS</sub> (FR)		0.13	0.21	0.29	V
High-level input current	I <sub>IH</sub> (FR)	VF/R = VREG	-10	0	10	μA
Low-level input current	I <sub>IL</sub> (FR)	VF/R = 0V	-130	-90		μA
<b>BRSEL pin</b>						
High-level input voltage	V <sub>IH</sub> (BSEL)		2.0		VREG	V
Low-level input voltage	V <sub>IL</sub> (BSEL)		0		1.0	V
Input open voltage	V <sub>IO</sub> (BSEL)		VREG – 0.5		VREG	V
Hysteresis	V <sub>IS</sub> (BSEL)		0.13	0.21	0.29	V
High-level input current	I <sub>IH</sub> (BSEL)	VBSEL = VREG	-10	0	10	μA
Low-level input current	I <sub>IL</sub> (BSEL)	VBSEL = 0V	-130	-90		μA
<b>CLKSEL pin</b>						
High-level input voltage	V <sub>IH</sub> (CSEL)		2.0		VREG	V
Low-level input voltage	V <sub>IL</sub> (CSEL)		0		1.0	V
Input open voltage	V <sub>IO</sub> (CSEL)		VREG – 0.5		VREG	V
Hysteresis	V <sub>IS</sub> (CSEL)		0.13	0.21	0.29	V
High-level input current	I <sub>IH</sub> (CSEL)	VCSEL = VREG	-10	0	10	μA
Low-level input current	I <sub>IL</sub> (CSEL)	VCSEL = 0V	-130	-90		μA

**Package Dimensions**

unit : mm (typ)

3247A



**Three-Phase Logic Truth Table (The input "H" state is the state where IN+ > IN-)**

	F/R= "L"			F/R="H"			Output	
	IN1	IN2	IN3	IN1	IN2	IN3	Source	Sink
1	H	L	H	L	H	L	VH	UL
2	H	L	L	L	H	H	WH	UL
3	H	H	L	L	L	H	WH	VL
4	L	H	L	H	L	H	UH	VL
5	L	H	H	H	L	L	UH	WL
6	L	L	H	H	H	L	VH	WL

**S/S pin**

Input state	State
High or open	Stop
Low	Start

**BRSEL pin**

Input state	During deceleration
High or open	Free running
Low	Short-circuit braking

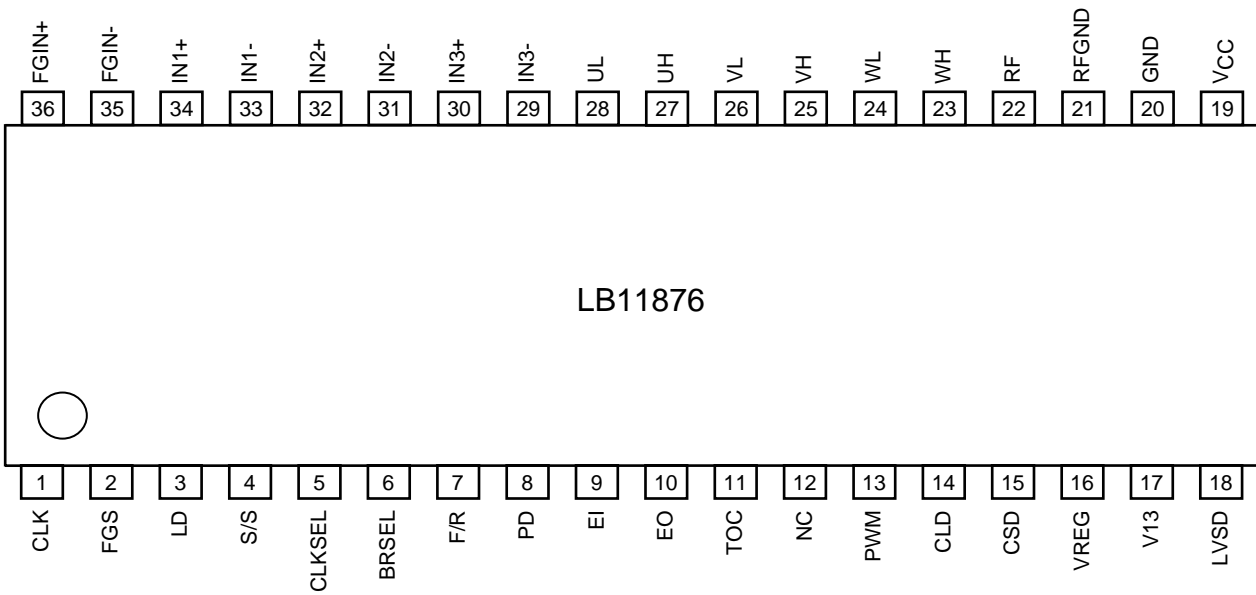
**CLKSEL pin**

Input state	Clock divisor
High or open	1
Low	2

$$f_{FG} = f_{CLK} \div \text{divisor}$$

# LB11876

## Pin Assignment



Top view

## Pin Functions

Pin No.	Pin	Description	Equivalent Circuit
1	CLK	External clock signal input Low : 0V to 1.0V High : 2.0V to VREG This pin goes to the high level when open. Hysteresis : about 0.21V f = 10kHz (maximum)	
2	FGS	FG Schmitt trigger output This is an open-collector output.	
3	LD	Phase lock detection output This output goes to the on state (low-level output) in the phase locked state. This is an open-collector output.	

Continued on next page.

# LB11876

Continued from preceding page.

Pin No.	Pin	Description	Equivalent Circuit
4	S/S	<p>Start/stop control</p> <p>Low : 0V to 1.0V</p> <p>High : 2.0V to VREG</p> <p>This pin goes to the high level when open.</p> <p>A low level specifies the start state.</p> <p>Hysteresis : about 0.21V</p>	
5	CLK SEL	<p>Clock divisor selection</p> <p>Low : 0V to 1.0V</p> <p>High : 2.0V to VREG</p> <p>This pin goes to the high level when open.</p> <p>A low level specifies a divisor of two, and a high level specifies a divisor of 1.</p> <p>Hysteresis : about 0.21V</p>	
6	BR SEL	<p>Deceleration (braking) control selection</p> <p>Low : 0V to 1.0V</p> <p>High : 2.0V to VREG</p> <p>This pin goes to the high level when open.</p> <p>A low level specifies short-circuit braking, and a high level or open specifies free running operation.</p> <p>Hysteresis : about 0.21V</p>	
7	F/R	<p>Forward/reverse selection</p> <p>Low : 0V to 1.0V</p> <p>High : 2.0V to VREG</p> <p>This pin goes to the high level when open.</p> <p>A low level specifies forward operation.</p> <p>Hysteresis : about 0.21V</p>	

Continued on next page.

# LB11876

Continued from preceding page.

Pin No.	Pin	Description	Equivalent Circuit
8	PD	Phase comparator output The phase error is converted to a pulse duty and output from this pin.	
9	EI	Error amplifier input	
10	EO	Error amplifier output	
11	TOC	Torque command input This pin is normally connected to the EO pin. When the TOC voltage falls, the UH, VH, and WH on duty is increased.	
12	NC	Since this pin is not connected to any internal circuits, it may be used as a connection point.	

Continued on next page.



# LB11876

Continued from preceding page.

Pin No.	Pin	Description	Equivalent Circuit
13	PWM	Sets the PWM oscillator frequency. Connect a capacitor between this pin and ground. A 620pF capacitor sets the oscillator frequency to be about 50kHz.	
14	CLD	Phase lock signal mask time setting A mask time of about 90ms can be set up by connected a capacitor (about 0.1μF) between this pin and ground. Leave this pin open if there is no need to mask the phase lock signal.	
15	CSD	Constraint protection circuit operating time setting and initialization pulse setting A protection circuit operating time of about 1 seconds can be set up by connecting a capacitor (about 0.068μF) between this pin and ground. Connect both a capacitor and a resistor (about 220kΩ and 4700pF) in parallel between this pin and ground if this protection circuit is not used.	
16	VREG	Stabilized power supply output (5V output) Connect a capacitor between this pin and ground for power supply stabilization. (About 0.1μF)	

Continued on next page.

# LB11876

Continued from preceding page.

Pin No.	Pin	Description	Equivalent Circuit
17	V13	13V shunt regulator output	
18	LVSD	Undervoltage protection detection If a power supply voltage of 5V or over is to be detected, connect a Zener diode in series to set the detection voltage.	
19	V <sub>CC</sub>	Power supply. Connect a capacitor between this pin and ground for power supply stabilization.	
20	GND	Ground	
21	RF GND	Output current detection reference The external resistor R <sub>f</sub> is connected to ground.	
22	RF	Output current detection A resistor is connected between RF and ground. The maximum output current I <sub>OUT</sub> is determined by the equation I <sub>OUT</sub> = 0.25/R <sub>f</sub> .	

Continued on next page.

# LB11876

Continued from preceding page.

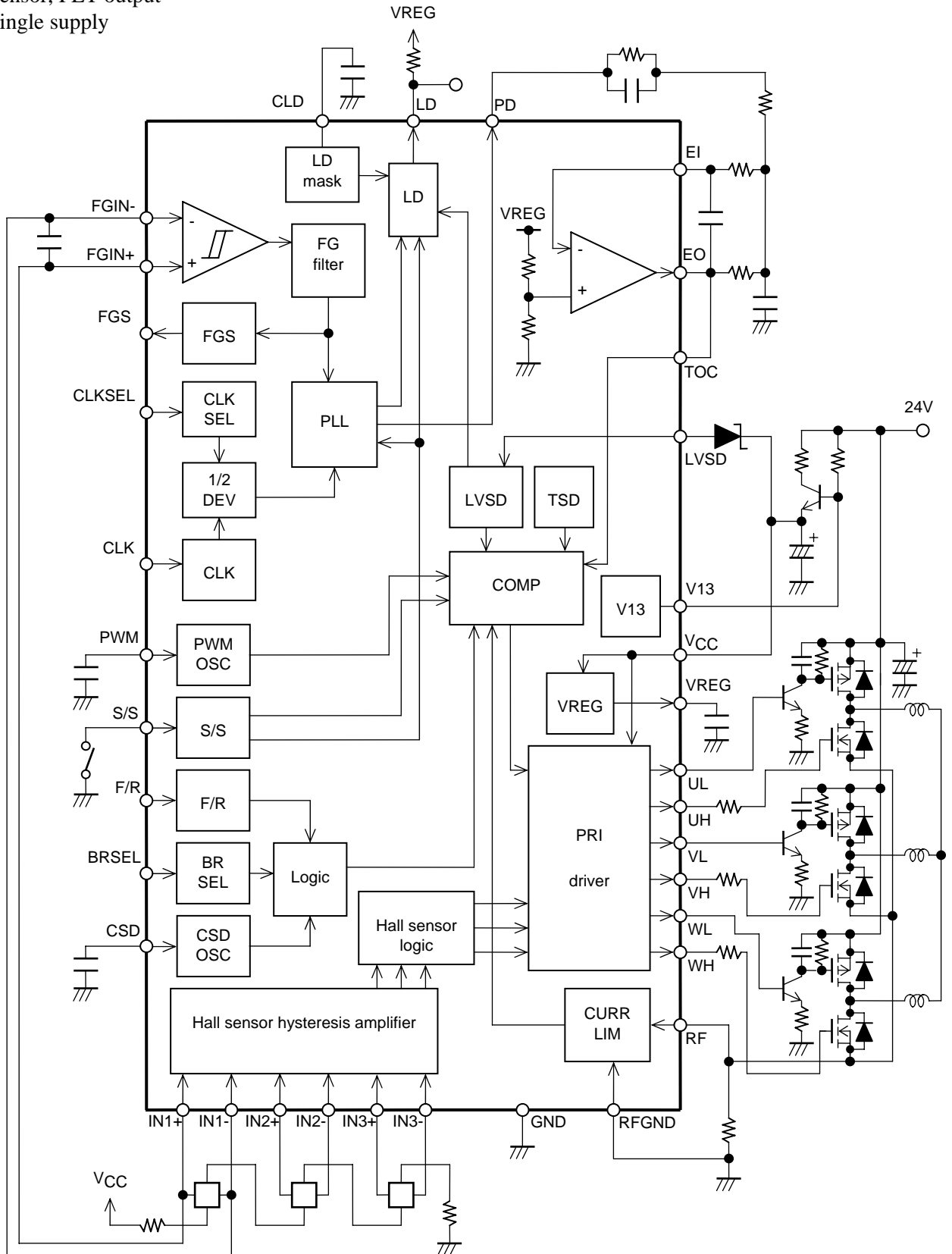
Pin No.	Pin	Description	Equivalent Circuit
23 24 25 26 27 28	WH WL VH VL UH UL	Outputs (that drive external transistors) Duty control is applied to the UH, VH, and WH outputs.	
29 30 31 32 33 34	IN3- IN3+ IN2- IN2+ IN1- IN1+	Hall sensor inputs "H" is the state where IN+ > IN-, and "L" is the reverse state. If noise on the Hall sensor signals is a problem, connect capacitors between the IN+ and IN- inputs.	
35 36	FGIN- FGIN+	FG input If noise on the FG signal is a problem, the input signal can be filtered with a capacitor or a capacitor plus resistor.	

# LB11876

www.datasheet4u.com

## Internal Equivalent Circuit Block Diagram and External Reference Circuit (Application example)

Hall sensor, FET output  
24V single supply



## LB11876 Overview

### 1. Speed control circuit

Since the LB11876 adopts PLL speed control, it provides precise, low-jitter, and stable motor operation. This PLL circuit compares the falling edge of the CLK signal with the FG signal (the falling edges of the FGIN+ or FGS output) and controls motor operation based on the difference.

The FG servo frequency during this control operation is controlled by the frequency given by the following formula which is based on the divisor selected by the clock input frequency ( $f_{CLK}$ ) and the CLKSEL pin.

$$f_{FG}(\text{servo}) = f_{CLK} \div \langle \text{divisor} \rangle$$

### 2. Output drive circuit

To minimize the power loss in the output, the LB11876 adopts direct PWM drive. The output transistors, which are external, are always saturated when on and the motor drive power is adjusted by changing the duty with which the output is on.

The PWM switching is performed with the UH, VH, and WH outputs. Either high side or low side switching can be selected by the way the output transistors are connected.

### 3. Current limiter circuit

The current limiter circuit limits the drive current to a current determined by the equation  $I = V_{RF}/R_f$ , where  $V_{RF} = 0.25V$  (typical) and  $R_f$  is the current detection resistor. The limiting operation works by reducing other output on duty to suppress the drive current.

Detection with excellent precision can be acquired by connecting the RF and RFGND pin lines to points as close as possible to the ends of the current detection resistor ( $R_f$ ).

### 4. Reference clock

Care must be taken to assure that no noise due to chattering or other problems appears on the externally input clock signal. While the input circuit is designed with hysteresis, noise must be rejected by, for example, inserting capacitors in the clock line if noise problems occur.

If the application is to be started in the state where there is no reference clock input signal, the motor will turn somewhat and then drive will be turned off.

### 5. PWM frequency

The PWM frequency is determined by the capacitance of the capacitor (C) connected to the PWM pin.

$$f_{PWM} \approx 1/(30000 \times C)$$

If a 620pF capacitor is used, the circuit will oscillate at about 50kHz. If the PWM frequency is too low the motor will emit switching noise, and if it is too high the power loss in the output will increase. A frequency in the range 30kHz to 100kHz is desirable. This capacitor must be connected between this pin and the GND pin by lines that are as short as possible to make this circuit immune to noise.

### 6. Hall sensor input signals

To prevent noise problems, the Hall sensor input signals should have an amplitude of at least 100mV. If the output waveforms (during phase switching) are disrupted by noise, this must be prevented by connecting capacitors across the inputs.

If the outputs from a Hall sensor IC are input, holding one side of the inputs (either the + or - side) at a voltage within the common-mode input range for direct Hall sensor signal input will allow the other side to be used as 0V to VCC input.

### 7. FG input signal

Normally, one of the Hall sensor signals is used as the FG input signal. If noise is a problem, the input signal must be filtered with a capacitor or a capacitor plus resistor.

## 8. Constraint protection circuit

The LB11876 includes a built-in constraint protection circuit to protect the IC and the motor if the motor is physically constrained from turning. If one Hall sensor input signals do not switch states for a period in excess of a certain fixed time in the start state, the PWM drive side output is turned off. The time is set by the capacitor connected to the CSD pin.

$$\text{Set time (seconds)} \approx 15.4 \times C (\mu\text{F})$$

If a 0.068 $\mu\text{F}$  capacitor is used, the protection time will be about 1.05 seconds. (If one Hall sensor input signal period becomes longer than this time, the PWM drive side output is turned off.) This set time must have a certain amount of margin with respect to the motor startup time. This protection circuit will not operate during deceleration due to switching the clock frequency. The constraint protection state can be cleared by either switching to the stop state or turning the power off and then on again.

Since the CSD pin also functions as the initial reset pulse generation pin, connecting this pin to ground will reset the logic circuits and make speed control operation impossible. Therefore, if the constraint protection circuit is not used, this pin must be connected to ground by a resistor of about 220k $\Omega$  and a capacitor of about 4700pF connected in parallel.

## 9. Undervoltage protection circuit

The LB11876 includes a undervoltage protection circuit to prevent incorrect operation when power is first applied or when the power supply voltage falls. The LVSD pin turns the PWM drive side output off at voltages under about 3.7V (typical), and clears the protection state when the voltage rises above about 4.2V (typical). An arbitrary operating voltage can be set by adding an external Zener diode.

Note that the maximum applied voltage for the LVSD pin is 18V.

## 10. Phase lock signal

(1) Phase lock range : Since this IC does not have a speed system counter, the speed error range in the phase locked state cannot be determined by the IC characteristics alone. (This is because the range is affected by the acceleration with changes in the FG frequency.) If it is necessary to stipulate this in conjunction with a motor, it will be necessary to measure the range with the actual motor state. Since speed errors occur easily in states where the FG acceleration is large, it is thought that the lock pull-in time at startup and the unlock time due to clock switching will be the cases where the speed error is the largest.

(2) Phase lock signal mask function : It is possible to assure that the lock signal is output in stable states by masking the short-term low levels due to hunting during lock pull-in. Note, however, that the lock signal output will be delayed by the amount of the mask time. The mask time is set by the capacitor connected between the CLD pin and ground.

$$\text{Mask time (seconds)} \approx 0.9 \times C (\mu\text{F})$$

When a 0.1 $\mu\text{F}$  capacitor is used, the mask time will be about 90ms. If full masking is required, the mask time must be set with an adequate margin. Leave the CLD pin open if masking is not required.

## 11. Power supply stabilization

(1) VCC : Since this IC is used in switching drive applications with large output currents, the power supply line is easily disrupted.

Therefore it is necessary to connect an adequately large capacitor between the VCC pin and ground. The capacitor ground side should be located as close to the IC GND pin as possible.

Since the power supply line is most easily disrupted during lock pull-in at high speeds, designers must analyze this case carefully and select an adequately large capacitor.

Since the power supply line is particularly susceptible to disruption if a diode is inserted in the power supply line to prevent destruction of the IC by reverse connection, an even larger capacitor must be selected in this case.

(2) 13V regulator : When implementing a motor driver circuit with single-voltage power supply specifications and a voltage that is outside the power supply voltage range of this IC, the supply voltage required by this IC (approx. 13V) can be created using the V13 pin. The V13 pin circuit is a shunt regulator and can generate a 13V level by supplying current through an external resistor. A stabilized voltage is generating by setting the current to a level in the range 0.5mA to 4mA. An external transistor with a current capacity of over 80mA ( $I_{CC} + \text{Hall sensor bias current} + \text{output source current}$ ) and a voltage handling capacity higher than the motor supply voltage must be selected. Since heat generation in the transistor may become a problem, heat dissipation must be provided by the package.

(3) 5V regulator : Connect a capacitor with a value over 0.1 $\mu\text{F}$  to stabilize the VREG voltage, which is the IC's control circuit power supply. That capacitor's ground side must be connected as close as possible to the IC ground.

**12. Power saving circuit**

This IC goes into a power saving state in which current drain is reduced when set to the stop state. This power saving state is implemented by cutting the bias current to most of the circuits in the IC. The 5V regulator output, however, is still output when the IC is in the power saving state.

**13. Error amplifier system components**

The external components for the error amplifier block must be located as close as possible to the IC to minimize the influence of noise. These components must also be located as far from the motor as possible.

**14. Forward/reverse switching**

In principle, forward/reverse switching must be performed with the motor in the stopped state.

This IC does provide circuit workarounds for handling the through currents that occur during switching if the direction is switched while the motor is turning. However, care is required with respect to lifting of the motor supply voltage during this switching, since the motor current will return to the power supply during brief instants. If this becomes a problem, the size of the capacitor connected between the power supply line and ground must be increased.

If the motor current after switching exceeds the current limit value, the PWM drive side output will be turned off.

However, the opposite side output will go to the short-circuit braking state and a current determined by the motor induced voltage and the coil resistance. This current must be held under the current rating of the output transistors used. (This aspect requires more care the faster the motor speed at which forward/reverse switching occurs.)

**15. Brake switching**

Either free running or short-circuit braking can be selected with the BRSEL pin.

The short-circuit braking mode adopts a form in which all phases of the PWM drive side output transistors are turned on (all phases of the reverse side transistors are turned off). Care is required, since the current limiter function does not operate during braking. During braking, the output circuits go to a shorted state with 100% duty. The current that flows in the output transistors during braking is determined by the motor induced voltage and the coil resistance. This current must be held under the current rating of the output transistors used. (This aspect requires more care the faster the motor speed at which braking occurs.)

**16. NC pins**

Since the NC pins are electrically open, they can be used for intermediate wiring connections without problem.

- SANYO Semiconductor Co.,Ltd. assumes no responsibility for equipment failures that result from using products at values that exceed, even momentarily, rated values (such as maximum ratings, operating condition ranges, or other parameters) listed in products specifications of any and all SANYO Semiconductor Co.,Ltd. products described or contained herein.
- SANYO Semiconductor Co.,Ltd. strives to supply high-quality high-reliability products, however, any and all semiconductor products fail or malfunction with some probability. It is possible that these probabilistic failures or malfunction could give rise to accidents or events that could endanger human lives, trouble that could give rise to smoke or fire, or accidents that could cause damage to other property. When designing equipment, adopt safety measures so that these kinds of accidents or events cannot occur. Such measures include but are not limited to protective circuits and error prevention circuits for safe design, redundant design, and structural design.
- In the event that any or all SANYO Semiconductor Co.,Ltd. products described or contained herein are controlled under any of applicable local export control laws and regulations, such products may require the export license from the authorities concerned in accordance with the above law.
- No part of this publication may be reproduced or transmitted in any form or by any means, electronic or mechanical, including photocopying and recording, or any information storage or retrieval system, or otherwise, without the prior written consent of SANYO Semiconductor Co.,Ltd.
- Any and all information described or contained herein are subject to change without notice due to product/technology improvement, etc. When designing equipment, refer to the "Delivery Specification" for the SANYO Semiconductor Co.,Ltd. product that you intend to use.
- Information (including circuit diagrams and circuit parameters) herein is for example only; it is not guaranteed for volume production.
- Upon using the technical information or products described herein, neither warranty nor license shall be granted with regard to intellectual property rights or any other rights of SANYO Semiconductor Co.,Ltd. or any third party. SANYO Semiconductor Co.,Ltd. shall not be liable for any claim or suits with regard to a third party's intellectual property rights which has resulted from the use of the technical information and products mentioned above.

This catalog provides information as of April, 2007. Specifications and information herein are subject to change without notice.