



DC COMPONENTS CO., LTD.

DISCRETE SEMICONDUCTORS

LB122T

TECHNICAL SPECIFICATIONS OF NPN TRIPLE DIFFUSED PLANAR TRANSISTOR

Description

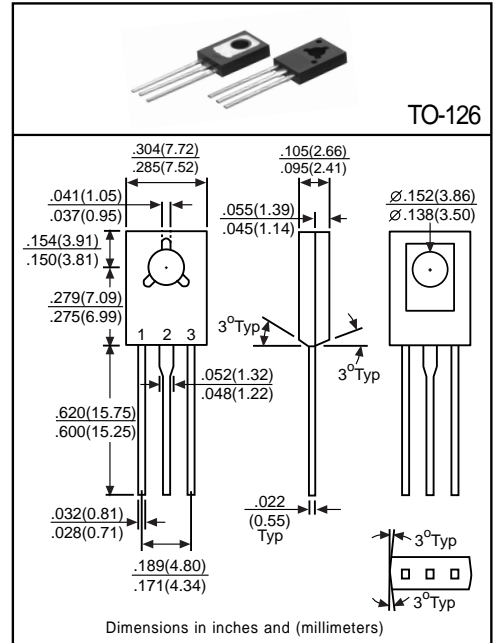
Designed for use in medium power switching applications.

Pinning

- 1 = Emitter
- 2 = Collector
- 3 = Base

Absolute Maximum Ratings(T<sub>A</sub>=25°C)

Characteristic	Symbol	Rating	Unit
Collector-Base Voltage	V <sub>CB0</sub>	600	V
Collector-Emitter Voltage	V <sub>CEO</sub>	400	V
Emitter-Base Voltage	V <sub>EB0</sub>	6	V
Collector Current (DC)	I <sub>C</sub>	800	mA
Collector Current (pulse)	I <sub>C</sub>	1600	mA
Base Current (DC)	I <sub>B</sub>	100	mA
Base Current (pulse)	I <sub>B</sub>	200	mA
Total Power Dissipation(T <sub>C</sub> =25°C)	P <sub>D</sub>	20	W
Junction Temperature	T <sub>J</sub>	+150	°C
Storage Temperature	T <sub>STG</sub>	-55 to +150	°C



Electrical Characteristics

(Ratings at 25°C ambient temperature unless otherwise specified)

Characteristic	Symbol	Min	Typ	Max	Unit	Test Conditions
Collector-Base Breakdown Voltage	BV <sub>CB0</sub>	600	-	-	V	I <sub>C</sub> =100μA
Collector-Emitter Breakdown Voltage	BV <sub>CEO</sub>	400	-	-	V	I <sub>C</sub> =10mA
Emitter-Base Breakdown Voltage	BV <sub>EB0</sub>	6	-	-	V	I <sub>E</sub> =10μA
Collector Cutoff Current	I <sub>CBO</sub>	-	-	10	μA	V <sub>CB</sub> =600V
	I <sub>CEO</sub>	-	-	10	μA	V <sub>CE</sub> =400V
Emitter Cutoff Current	I <sub>EB0</sub>	-	-	10	μA	V <sub>EB</sub> =6V
Collector-Emitter Saturation Voltage <sup>(1)</sup>	V <sub>CE(sat)1</sub>	-	-	0.4	V	I <sub>C</sub> =100mA, I <sub>B</sub> =20mA
	V <sub>CE(sat)2</sub>	-	-	0.8	V	I <sub>C</sub> =300mA, I <sub>B</sub> =60mA
Base-Emitter Saturation Voltage <sup>(1)</sup>	V <sub>BE(sat)</sub>	-	-	1	V	I <sub>C</sub> =100mA, I <sub>B</sub> =20mA
DC Current Gain <sup>(1)</sup>	h <sub>FE1</sub>	10	-	40	-	I <sub>C</sub> =0.1A, V <sub>CE</sub> =10V
	h <sub>FE2</sub>	10	-	-	-	I <sub>C</sub> =0.5A, V <sub>CE</sub> =10V
Turn-Off Time	T <sub>off</sub>	-	-	0.6	μS	I <sub>C</sub> =0.3A, V <sub>CC</sub> =100V, I <sub>B1</sub> =-I <sub>B2</sub> =0.06A

(1)Pulse Test: Pulse Width ≤ 380μs, Duty Cycle ≤ 2%

Classification of h<sub>FE1</sub>

Rank	B1	B2	B3	B4	B5	B6
Range	10~17	13~22	18~27	23~32	28~37	33~40