



LB1273R

6-Unit, Darlington Transistor Array

Overview

The circuit construction of this IC is a Darlington transistor array with six units, most suitable for printer hammer drive, lamp, and relay drive. With built-in protective diodes against negative inputs, it is advantageous in designing drive circuits for printer calculators and cash registers.

Features

- Since six units are included, it is suitable for 18-digit printers.
- The load current is considerably large i. e., 230mA and is, thus, suitable for thermal printers.

Specifications

Absolute Maximum Ratings at Ta = 25°C

Parameter	Symbol	Conditions	Ratings	Unit
Output supply voltage	V _{OUT}		-0.3 to +20	V
Input supply voltage	V _{IN}		-40 to +20	V
Output inflow current	I _{OUT}	per unit	150	mA
Instantaneous output inflow current	i _{op}	per unit duty=60%, pulse width<2ms	230	mA
GND pin inflow current	I ₇		-700	mA
GND pin instantaneous outflow current	I _{7p}	duty=60%, pulse width<2ms	1.4	A
Allowable power dissipation	Pd max		1.15	W
Instantaneous allowable power dissipation		Pulse width must be less than 2ms. The percentage of all of 6 units being ON must be less than 50% for 100ms.	2.3	W
Junction temperature	T _J		125	°C
Operating temperature	T _{opr}		-20 to +70	°C
Storage temperature	T _{stg}		-40 to +125	°C

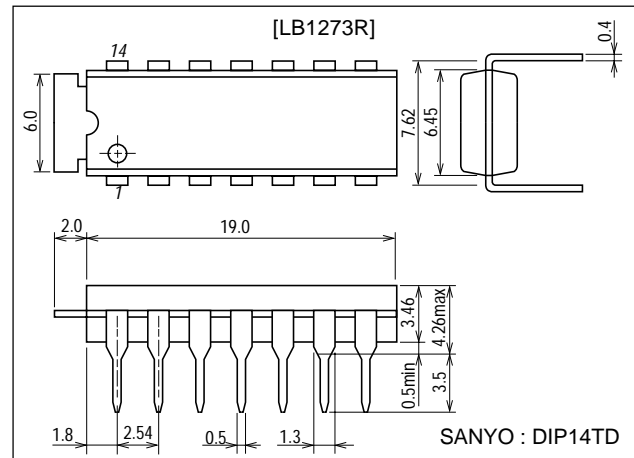
Allowable Operating Ranges at Ta = 25°C

Parameter	Symbol	Conditions	Ratings	Unit
Output supply voltage	V _{OUT}		20	V
Input high-level voltage	V _{IH}	output terminal current=150mA	15 to 20	V
Input low-level voltage	V _{IL}	output terminal current=100μA	-35 to +1	V
Load resistance	R _L	No inductance components should be included.	80	Ω(min)

Package Dimensions

unit:mm

3004A-DIP14TD



■ Any and all SANYO products described or contained herein do not have specifications that can handle applications that require extremely high levels of reliability, such as life-support systems, aircraft's control systems, or other applications whose failure can be reasonably expected to result in serious physical and/or material damage. Consult with your SANYO representative nearest you before using any SANYO products described or contained herein in such applications.

■ SANYO assumes no responsibility for equipment failures that result from using products at values that exceed, even momentarily, rated values (such as maximum ratings, operating condition ranges, or other parameters) listed in products specifications of any and all SANYO products described or contained herein.

SANYO Electric Co., Ltd. Semiconductor Company

TOKYO OFFICE Tokyo Bldg., 1-10, 1 Chome, Ueno, Taito-ku, TOKYO, 110-8534 JAPAN

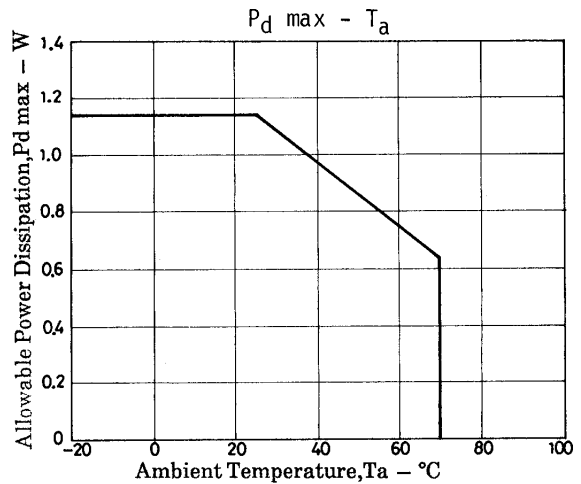
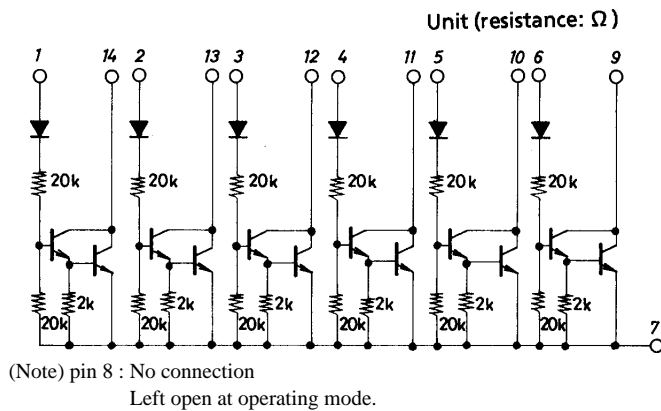
21501TN (KT)/O3195YK/7087KI/8055KI/D139KI No.667-1/2

LB1273R

Electrical Characteristics at $T_a = 25^\circ\text{C}$

Parameter	Symbol	Conditions	Ratings			Unit
			min	typ	max	
Output voltage	V_{OUT1}	$V_{IN}=15\text{V}, I_{OUT}=230\text{mA}$			1.7	V
Output voltage	V_{OUT2}	$V_{IN}=15\text{V}, I_{OUT}=150\text{mA}$			1.5	V
Output leakage current	I_{off}	$V_{IN}=1.0\text{V}, V_{OUT}=20\text{V}$			100	μA
Input current	I_{IN}	$V_{IN}=18\text{V}$			1.8	mA
Output current	I_{OUT}	$I_{IN}=0.5\text{mA}, V_{OUT}=1.5\text{V}$	150			mA
Input leakage current	I_{leak}	$V_{IN}=-35\text{V}$	-10			μA

Equivalent Circuit



- Specifications of any and all SANYO products described or contained herein stipulate the performance, characteristics, and functions of the described products in the independent state, and are not guarantees of the performance, characteristics, and functions of the described products as mounted in the customer's products or equipment. To verify symptoms and states that cannot be evaluated in an independent device, the customer should always evaluate and test devices mounted in the customer's products or equipment.
- SANYO Electric Co., Ltd. strives to supply high-quality high-reliability products. However, any and all semiconductor products fail with some probability. It is possible that these probabilistic failures could give rise to accidents or events that could endanger human lives, that could give rise to smoke or fire, or that could cause damage to other property. When designing equipment, adopt safety measures so that these kinds of accidents or events cannot occur. Such measures include but are not limited to protective circuits and error prevention circuits for safe design, redundant design, and structural design.
- In the event that any or all SANYO products (including technical data, services) described or contained herein are controlled under any of applicable local export control laws and regulations, such products must not be exported without obtaining the export license from the authorities concerned in accordance with the above law.
- No part of this publication may be reproduced or transmitted in any form or by any means, electronic or mechanical, including photocopying and recording, or any information storage or retrieval system, or otherwise, without the prior written permission of SANYO Electric Co., Ltd.
- Any and all information described or contained herein are subject to change without notice due to product/technology improvement, etc. When designing equipment, refer to the "Delivery Specification" for the SANYO product that you intend to use.
- Information (including circuit diagrams and circuit parameters) herein is for example only; it is not guaranteed for volume production. SANYO believes information herein is accurate and reliable, but no guarantees are made or implied regarding its use or any infringements of intellectual property rights or other rights of third parties.

This catalog provides information as of February, 2001. Specifications and information herein are subject to change without notice.