



LB1275

7-Unit, Darlington Transistor Array

Overview

This LB1275, 7-unit Darlington transistor array using NPN transistors, is specially designed for printer driver, lamp or relay driver.

Protector diodes against negative input are used by which it is easy to design drive circuits of a calculator with a printer using indicator or a cash register.

Features

- 7-unit version (DIP-16) or LB1274 (6-unit DIP-14).
- Protector diodes against negative input ($V_{IN} = -40$ to $+20V$).
- Spark killer diodes for inductive load.
- Suitable for 85mA type printer mechanism ($I_{OUT\ max} = 100mA$ DC).

Specifications

Absolute Maximum Ratings at $T_a = 25^\circ C$, voltage at pin8=0V

Parameter	Symbol	Conditions	Ratings	Unit
Output supply voltage	V_{OUT}		-0.3 to +22	V
Input supply voltage	V_{IN}		-40 to +20	V
Pin 8 supply voltage	V_{8p}		-0.3 to +20	V
Output flow-in current	I_{OUT}	per unit	0 to 100	mA
Instantaneous output flow-in current	I_{OP}	per unit, duty=10%, pulse width<20ms	0 to 150	mA
Forward current of spark killer diode	$I_{F(s)}$	per diode, duty=10%, pulse width<20ms	150 to 0	mA
Flow-out current at GND pin	I_g		-900 to 0	mA
Instantaneous flow-out current at pin 8	I_{gp}	duty=10%, pulse width<20ms	-500 to 0	mA
Instantaneous flow-out current at pin 9	I_{gp}	duty=10%, pulse width<20ms	-900 to 0	mA
Allowable power dissipation	$P_d\ max$		900	mW
Operating temperature	T_{opr}		-20 to +80	$^\circ C$
Storage temperature	T_{stg}		-40 to +125	$^\circ C$

Allowable Operating Ranges at $T_a = 25^\circ C$, voltage at pin8=0V

Parameter	Symbol	Conditions	Ratings	Unit
Output supply voltage	V_{OUT}		22V	min.
Input high-level voltage	V_{IH}	output pin current=100mA	9 to 20	V
Input low-level voltage	V_{IL}	output pin current=100 μA	-35 to +1	V
Load inductance	L_L	with protector diode	100mH	min.

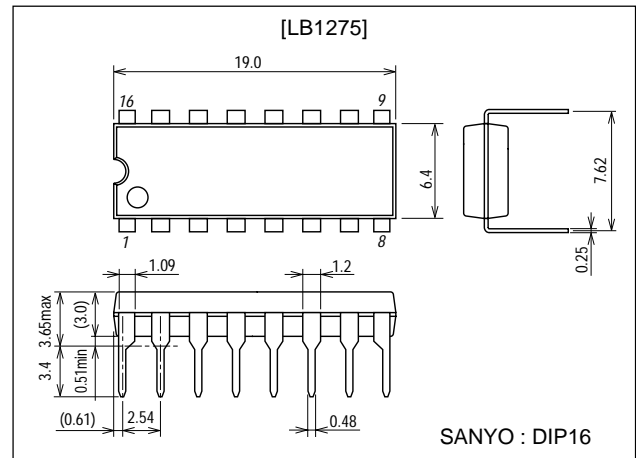
■ Any and all SANYO products described or contained herein do not have specifications that can handle applications that require extremely high levels of reliability, such as life-support systems, aircraft's control systems, or other applications whose failure can be reasonably expected to result in serious physical and/or material damage. Consult with your SANYO representative nearest you before using any SANYO products described or contained herein in such applications.

■ SANYO assumes no responsibility for equipment failures that result from using products at values that exceed, even momentarily, rated values (such as maximum ratings, operating condition ranges, or other parameters) listed in products specifications of any and all SANYO products described or contained herein.

Package Dimensions

unit:mm

3006C-DIP16

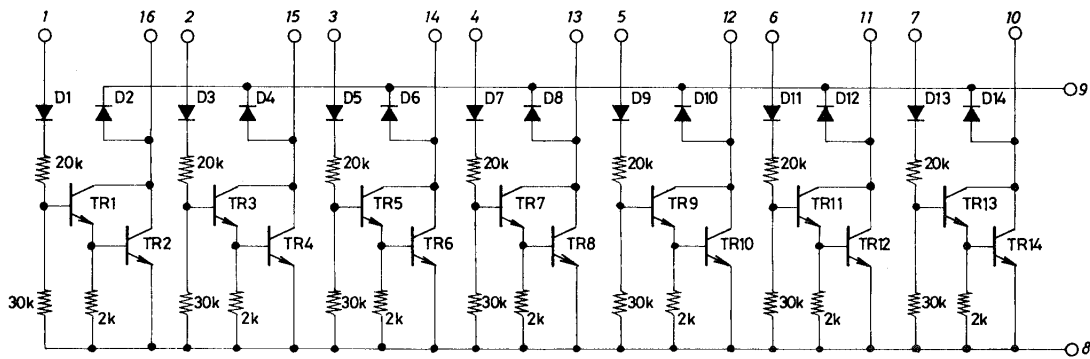


LB1275

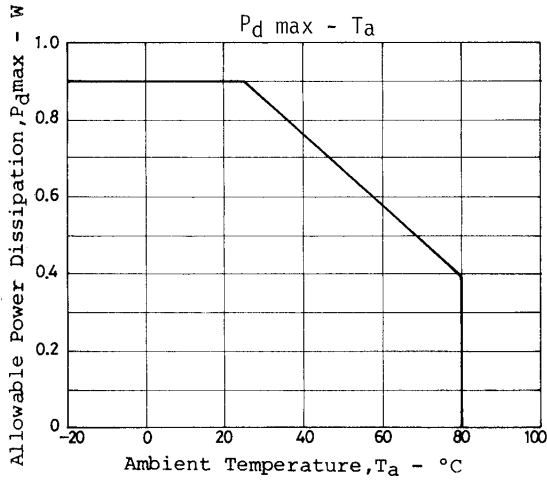
Electrical Characteristics at $T_a = 25^\circ\text{C}$, voltage at pin8=0V

Parameter	Symbol	Conditions	Ratings			Unit
			min	typ	max	
Output voltage	V_{OUT1}	$V_{IN}=9.0\text{V}, I_{OUT}=150\text{mA}$			1.7	V
	V_{OUT2}	$V_{IN}=9.0\text{V}, I_{OUT}=100\text{mA}$			1.4	V
Output sustain voltage	$V_{OUT(s)}$	$V_{IN}=\text{open}, \text{applied time} < 10\mu\text{s}, I_{OUT}=150\text{mA}$	22			V
Output leak current	I_{off}	$V_{IN}=1.0\text{V}, V_{OUT}=22\text{V}$			100	μA
Input current	I_{IN1}	$V_{IN}=18\text{V}$			1.8	mA
	I_{IN2}	$V_{IN}=9\text{V}$			0.8	mA
Output current	I_{OUT}	$I_{IN}=0.3\text{mA}, V_{OUT}=1.4\text{V}$	100			mA
Input leak current	I_{leak}	$V_{IN}=-35\text{V}$	-10			μA
Leak current at spark killer diode	$I_{leak(s)}$	$V_{OUT}=0\text{V}, \text{pin}8=20\text{V}$			30	μA
Forward voltage at spark killer diode	$V_{F(s)}$	$I_{F(s)}=150\text{mA}$			1.7	V

Equivalent Circuit



Unit (resistance: Ω)



- Specifications of any and all SANYO products described or contained herein stipulate the performance, characteristics, and functions of the described products in the independent state, and are not guarantees of the performance, characteristics, and functions of the described products as mounted in the customer's products or equipment. To verify symptoms and states that cannot be evaluated in an independent device, the customer should always evaluate and test devices mounted in the customer's products or equipment.
- SANYO Electric Co., Ltd. strives to supply high-quality high-reliability products. However, any and all semiconductor products fail with some probability. It is possible that these probabilistic failures could give rise to accidents or events that could endanger human lives, that could give rise to smoke or fire, or that could cause damage to other property. When designing equipment, adopt safety measures so that these kinds of accidents or events cannot occur. Such measures include but are not limited to protective circuits and error prevention circuits for safe design, redundant design, and structural design.
- In the event that any or all SANYO products(including technical data, services) described or contained herein are controlled under any of applicable local export control laws and regulations, such products must not be exported without obtaining the export license from the authorities concerned in accordance with the above law.
- No part of this publication may be reproduced or transmitted in any form or by any means, electronic or mechanical, including photocopying and recording, or any information storage or retrieval system, or otherwise, without the prior written permission of SANYO Electric Co., Ltd.
- Any and all information described or contained herein are subject to change without notice due to product/technology improvement, etc. When designing equipment, refer to the "Delivery Specification" for the SANYO product that you intend to use.
- Information (including circuit diagrams and circuit parameters) herein is for example only ; it is not guaranteed for volume production. SANYO believes information herein is accurate and reliable, but no guarantees are made or implied regarding its use or any infringements of intellectual property rights or other rights of third parties.

This catalog provides information as of February, 2001. Specifications and information herein are subject to change without notice.