

No.3297

LB1833M

Low-Saturation Bidirectional Motor Driver for Low-Voltage Applications

The LB1833M is a low-saturation stepping motor driver IC for use in low-voltage applications. It is especially suited for use in portable equipment such as printer, FDD, camera.

Features

- Capable of being operated from a low voltage (2.5V min)
- Low saturation voltage
(Upper transistor + lower transistor residual voltage 1.0V max at 400mA)
- Through current preventer on-chip
- Logic power supply and motor power supply are separate.
- On-chip spark killer diodes
- Possible to increase the internal allowable power dissipation because the package is compact (MFP-16FS) and heat can be radiated easily to the outside.

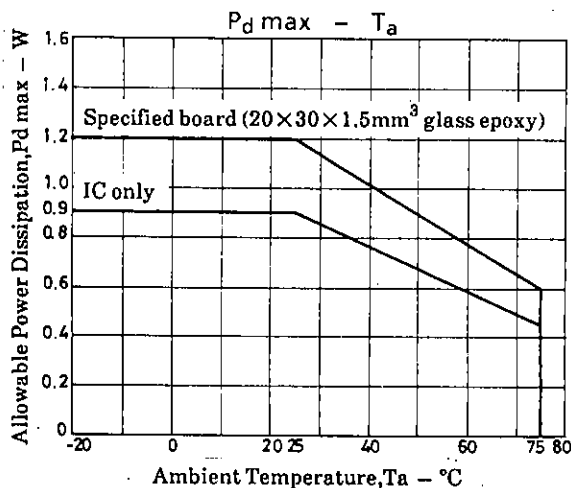
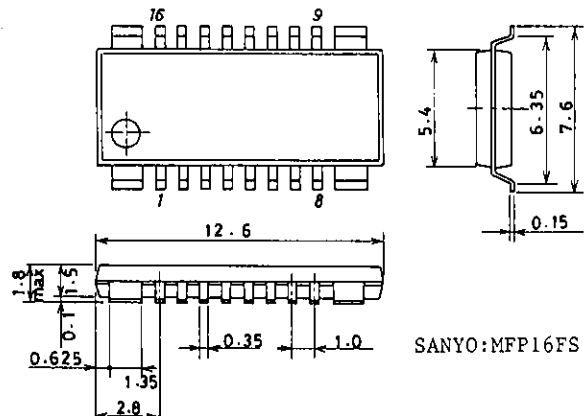
Absolute Maximum Ratings at Ta = 25°C

Parameter	Symbol	Value	unit
Maximum Supply Voltage	V _{CC} max	-0.3 to +8.0	V
	V _S max	-0.3 to +8.0	V
Output Supply Voltage	V _{OUT}	-0.3 to V _S + V _{SF}	V
Input Supply Voltage	V _{IN}	-0.3 to +8.0	V
GND Pin Flow-out Current	I _{GND}	Per channel	1.0 A
Allowable Power Dissipation	P _d max1	IC only	900 mW
	P _d max2	Mounted on specified board (20×30×1.5mm ³ glass epoxy)	1200 mW
Operating Temperature	T _{opg}	-20 to +75	°C
Storage Temperature	T _{stg}	-40 to +125	°C

Allowable Operating Conditions at Ta = 25°C

Parameter	Symbol	Value	unit
Supply Voltage	V _{CC}	2.5 to 7.0	V
	V _S	1.8 to 7.0	V
Input 'H'-Level Voltage	V _{IH}	1.8 to 7.0	V
Input 'L'-Level Voltage	V _{IL}	-0.3 to +0.7	V

Package Dimensions 3097
(unit: mm)



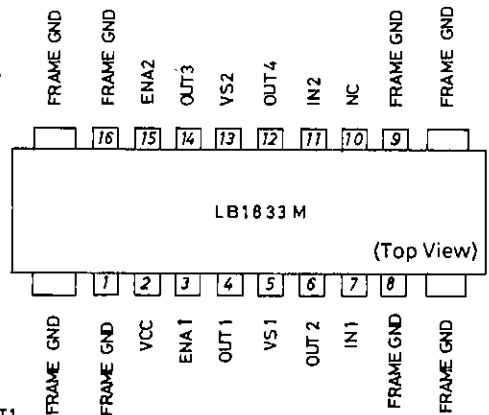
LB1833M

Electrical Characteristics at $T_a = 25^\circ\text{C}$, $V_{CC} = 3\text{V}$			min	typ	max	unit
Supply Current 1	I_{cco}	$EN_{A1,2} = 0\text{V}, 4 = 0\text{V},$ $V_{IN1} = 3\text{V}$ or $0\text{V}, I_S + I_{CC}$		0.1	10	μA
Supply Current 2	I_{CC}	$EN_{A1} = 3\text{V}, V_{IN1} = 3\text{V}$ or $0\text{V},$ $I_S + I_{CC}$		10	18	mA
Output Saturation Voltage	V_{OUT1}	$EN_{A1} = 3\text{V}, V_{IN} = 3\text{V}$ or $0\text{V}, I_{OUT} = 200\text{mA}$	0.35	0.50		V
	V_{OUT2}	$EN_{A1} = 3\text{V}, V_{IN} = 3\text{V}$ or $0\text{V}, I_{OUT} = 400\text{mA}$	0.75	1.0		V
Input Current 1	I_{IN}	$V_{CC} = 6\text{V}, V_{IN} = 6\text{V}$			250	μA
Input Current 2	I_{ENA}	$V_{CC} = 6\text{V}, EN_{A1} = 6\text{V}$			350	μA
Output Sustain Voltage [Spark Killer Diode]	$V_{O(sus)}$	$I_{OUT} = 400\text{mA}$	9			V
Reverse Current	I_S (leak)	$V_{CC}, V_S = 7\text{V}$			30	μA
Forward Voltage	V_{SF}	$I_{OUT} = 500\text{mA}$			1.7	V

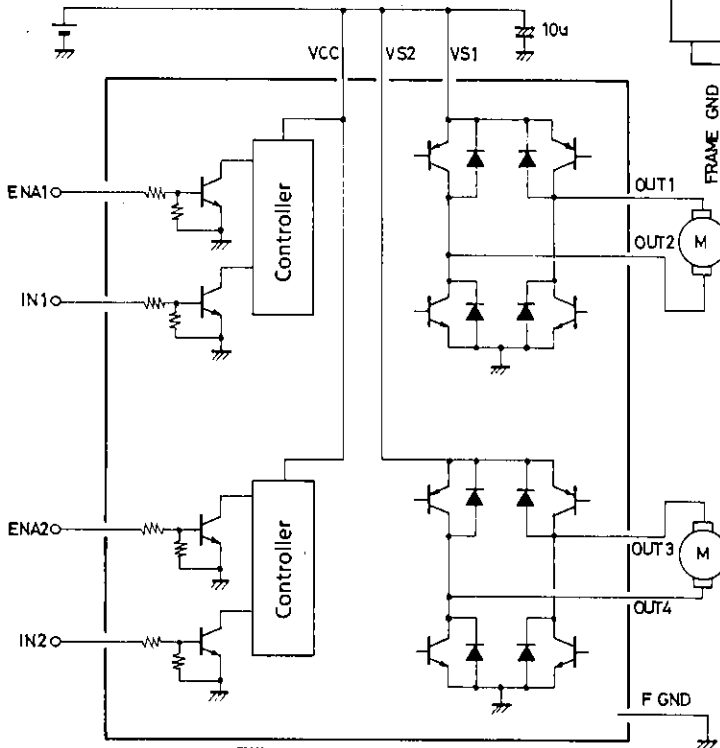
Truth Table

IN 1/2	ENA 1/2	OUT 1/3	OUT 2/4	Motor
L	H	H	L	Forward
H	H	L	H	Reverse
L	L	OFF	OFF	Standby
H	L	OFF	OFF	Standby

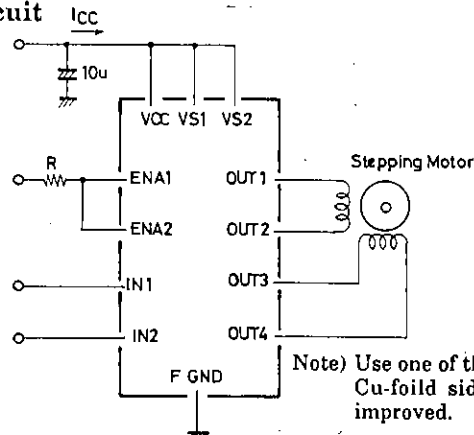
Pin Assignment



Equivalent Circuit Block Diagram



Sample Application Circuit



Note) Use one of the FRAME-GND pins for grounding. When the Cu-foild side is soldered, heat radiation can be more improved.

- No products described or contained herein are intended for use in surgical implants, life-support systems, aerospace equipment, nuclear power control systems, vehicles, disaster/crime-prevention equipment and the like, the failure of which may directly or indirectly cause injury, death or property loss.
- Anyone purchasing any products described or contained herein for an above-mentioned use shall:
 - ① Accept full responsibility and indemnify and defend SANYO ELECTRIC CO., LTD., its affiliates, subsidiaries and distributors and all their officers and employees, jointly and severally, against any and all claims and litigation and all damages, cost and expenses associated with such use;
 - ② Not impose any responsibility for any fault or negligence which may be cited in any such claim or litigation on SANYO ELECTRIC CO., LTD., its affiliates, subsidiaries and distributors or any of their officers and employees jointly or severally.
- Information (including circuit diagrams and circuit parameters) herein is for example only; it is not guaranteed for volume production. SANYO believes information herein is accurate and reliable, but no guarantees are made or implied regarding its use or any infringements of intellectual property rights or other rights of third parties.