

Ordering number : ENN7932A



SANYO Semiconductors DATA SHEET

LB1935T LB1935CL

Monolithic Digital IC
Stepping Motor Driver IC

Overview

LB1935T/LB1935CL is IC with forward/reverse motor drive 2-channel in which low saturation voltage and low voltage operation possible. Its small sized package is optimal for 2 phase excitation drive of 2 phase bipolar stepping motors for various portable devices such as digital still cameras.

Features

- Low saturation voltage, $V_{O(sat)} = 0.3V$ typ at $I_O = 150mA$
- Built-in shoot-through current protection circuit
- No standby current consumption (or zero)
- Built-in thermal shutdown circuit
- MSOP10 small-sized package (3.0mm×4.9mm×1.1mm typ) [LB1935T]
- ECSP2828-10 ultraminiature leadless package (2.8mm×2.8mm×0.8mm typ) [LB1935CL]

Absolute Maximum Ratings at $T_a = 25^\circ C$

Parameter	Symbol	Conditions	Ratings	Unit
Maximum Power Source Voltage	V_{CC} max		-0.3 to +8.0	V
Applied Output Voltage	V_{OUT} max	OUT1, OUT2, OUT3, OUT4 pin	$V_{CC}+VSF$	V
Applied Input Voltage	V_{IN} max	ENA, IN1, IN2 pin	-0.3 to +8.0	V
GND Pin Outflow Current	I GND	Per channel	400	mA
Allowable Power Consumption	P_d max	With substrate* [LB1935T]	400	mW
	P_d max	With substrate* [LB1935CL]	450	
Operating Temperature	T_{opr}		-20 to +75	$^\circ C$
Storage Temperature	T_{stg}		-40 to +150	$^\circ C$

* Specified substrate : 20.0mm×10.0mm×0.8mm paper phenol

Allowable Operating Range at $T_a = 25^\circ C$

Parameter	Symbol	Conditions	Ratings	Unit
Source Voltage	V_{CC}		2.2 to 7.5	V
Input High Level Voltage	V_{IH}	ENA, IN1, IN2 pin	1.8 to 7.5	V
Input Low Level Voltage	V_{IL}	ENA, IN1, IN2 pin	-0.3 to +0.7	V

- Any and all SANYO products described or contained herein do not have specifications that can handle applications that require extremely high levels of reliability, such as life-support systems, aircraft's control systems, or other applications whose failure can be reasonably expected to result in serious physical and/or material damage. Consult with your SANYO representative nearest you before using any SANYO products described or contained herein in such applications.
- SANYO assumes no responsibility for equipment failures that result from using products at values that exceed, even momentarily, rated values (such as maximum ratings, operating condition ranges, or other parameters) listed in products specifications of any and all SANYO products described or contained herein.

LB1935T, LB1935CL

Electric Characteristics at $T_a = 25^\circ\text{C}$, $V_{CC} = 3.3\text{V}$

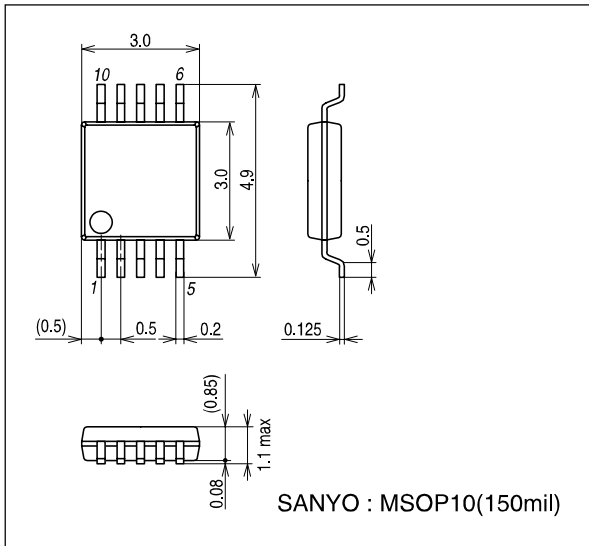
Parameter	Symbol	Conditions	Ratings			Unit
			min	typ	max	
Power Source Current	I_{CC0}	ENA = 0V, $V_{IN} = 3\text{V}$ or 0V		0.1	1	μA
	I_{CC1}	ENA = 3V, $V_{IN} = 3\text{V}$ or 0V		13	19	mA
Output Saturation Voltage	V_{OUT1}	ENA = 3V, $V_{IN} = 3\text{V}$ or 0V, $I_{OUT} = 100\text{mA}$		0.2	0.3	V
	V_{OUT2}^*	ENA = 3V, $V_{IN} = 3\text{V}$ or 0V, $I_{OUT} = 200\text{mA}$ [LB1935T only]		0.4	0.6	V
Input Current	I_{IN}	$V_{IN} = 3\text{V}$		40	60	μA
	I_{ENA}	$V_{ENA} = 3\text{V}$		40	60	μA
Spark killer diode						
Reverse Current	$I_{S(Leak)}$				1	μA
Forward Voltage	V_{SF}^*	$I_{OUT} = 200\text{mA}$ [LB1935T only]			1.7	V

Note : *For LB1935CL, it is a design assured value.

Package Dimensions

unit : mm

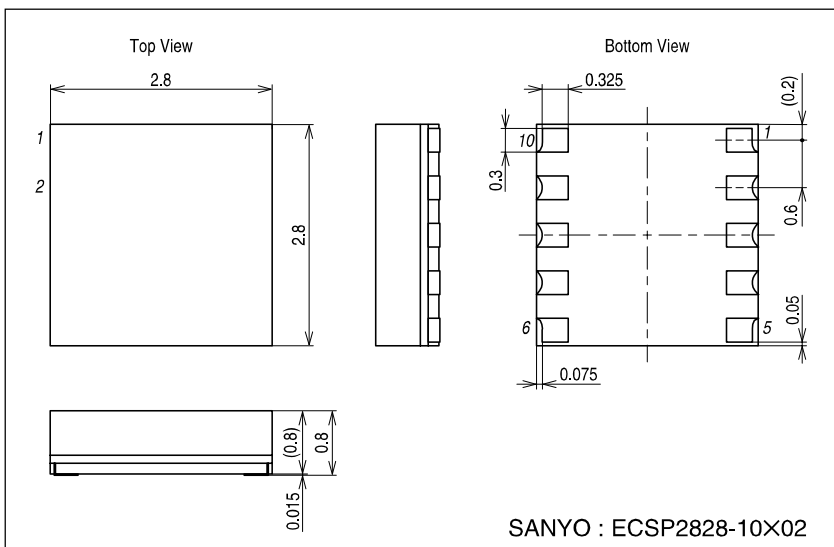
3297 [LB1935T]



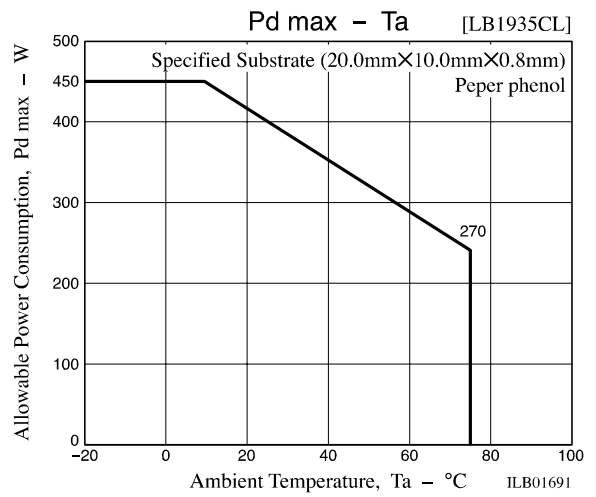
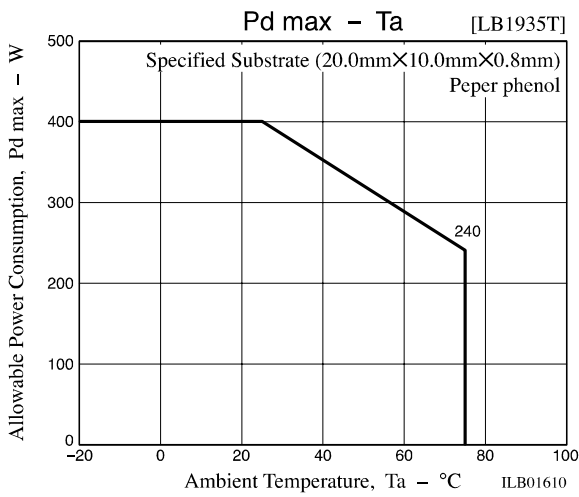
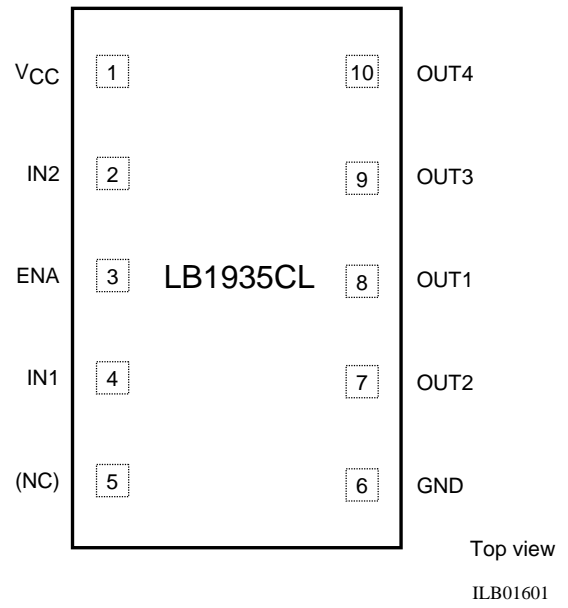
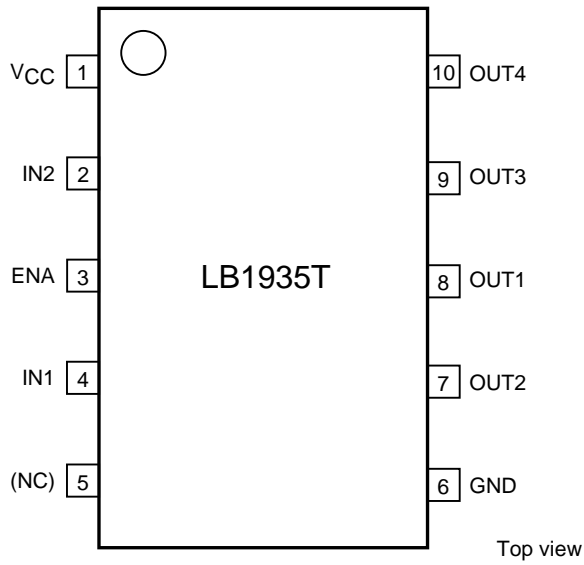
Package Dimensions

unit : mm

3301 [LB1935CL]

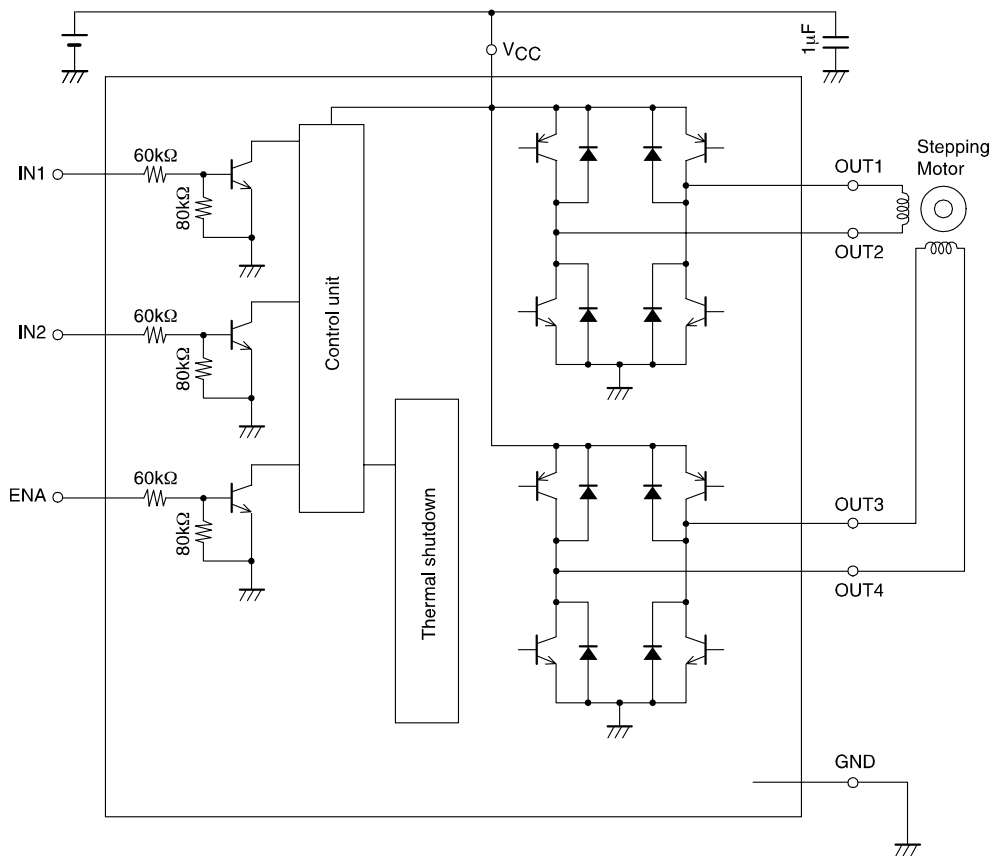


Pin Assignments



LB1935T, LB1935CL

Block Diagram



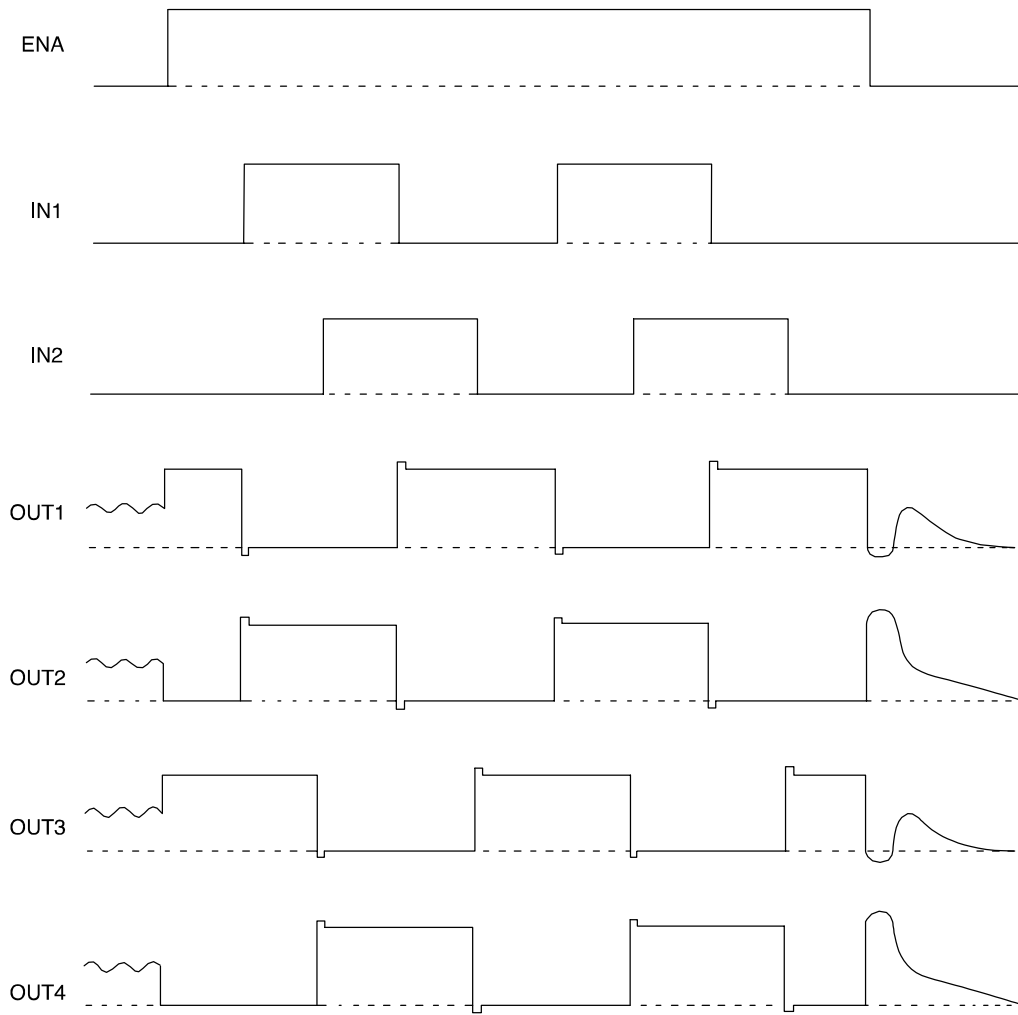
ILB01611

Truth Table

Input			Output				Remarks
ENA	IN1	IN2	OUT1	OUT2	OUT3	OUT4	
L	-	-	OFF	OFF	OFF	OFF	Stdby
H	L	L	H	L	H	L	2-phase excitation
	L	H	H	L	L	H	
	H	H	L	H	L	H	
	H	L	L	H	H	L	

Timing Chart

Timing chart below shows the 2 phase excitation stepping motor.



ILB01612

- Specifications of any and all SANYO products described or contained herein stipulate the performance, characteristics, and functions of the described products in the independent state, and are not guarantees of the performance, characteristics, and functions of the described products as mounted in the customer's products or equipment. To verify symptoms and states that cannot be evaluated in an independent device, the customer should always evaluate and test devices mounted in the customer's products or equipment.
- SANYO Electric Co., Ltd. strives to supply high-quality high-reliability products. However, any and all semiconductor products fail with some probability. It is possible that these probabilistic failures could give rise to accidents or events that could endanger human lives, that could give rise to smoke or fire, or that could cause damage to other property. When designing equipment, adopt safety measures so that these kinds of accidents or events cannot occur. Such measures include but are not limited to protective circuits and error prevention circuits for safe design, redundant design, and structural design.
- In the event that any or all SANYO products (including technical data, services) described or contained herein are controlled under any of applicable local export control laws and regulations, such products must not be exported without obtaining the export license from the authorities concerned in accordance with the above law.
- No part of this publication may be reproduced or transmitted in any form or by any means, electronic or mechanical, including photocopying and recording, or any information storage or retrieval system, or otherwise, without the prior written permission of SANYO Electric Co., Ltd.
- Any and all information described or contained herein are subject to change without notice due to product/technology improvement, etc. When designing equipment, refer to the "Delivery Specification" for the SANYO product that you intend to use.
- Information (including circuit diagrams and circuit parameters) herein is for example only ; it is not guaranteed for volume production. SANYO believes information herein is accurate and reliable, but no guarantees are made or implied regarding its use or any infringements of intellectual property rights or other rights of third parties.

This catalog provides information as of November, 2004. Specifications and information herein are subject to change without notice.