



ON Semiconductor®

<http://onsemi.com>

LB1945H

Monolithic Digital IC PWM Current Control Type Stepping Motor Driver

Overview

The LB1945H is a PWM current control type stepping motor driver.

Feature

- PWM current control (external excitation)
- Load current digital selection (1-2, W1-2, and 2 phase excitation drives possible)
- Built-in upper/lower diode
- Simultaneous ON prevention function (feed-through current prevention)
- Built-in thermal shutdown circuit
- Built-in noise canceler

Specifications

Absolute Maximum Ratings at $T_a = 25^\circ\text{C}$

Parameter	Symbol	Conditions	Ratings	Unit
Maximum motor supply voltage	V_{BB} max		30	V
Output peak current	I_O peak	$t_w \leq 20\mu\text{s}$	1.0	A
Output continuous current	I_O max		0.8	A
Logic supply voltage	V_{CC} max		6.0	V
Logic input voltage range	V_{IN} max		-0.3 to V_{CC}	V
Emitter output voltage	V_E max		1.0	V
Allowable power dissipation	P_d max	Mounted on a specified board *	1.9	W
Operating temperature	T_{opr}		-20 to +90	$^\circ\text{C}$
Storage temperature	T_{stg}		-55 to +150	$^\circ\text{C}$

* Specified board: 114.3mm \times 76.1mm \times 1.6mm, glass epoxy board.

Stresses exceeding Maximum Ratings may damage the device. Maximum Ratings are stress ratings only. Functional operation above the Recommended Operating Conditions is not implied. Extended exposure to stresses above the Recommended Operating Conditions may affect device reliability.

LB1945H

Allowable Operating Ranges at Ta = 25°C

Parameter	Symbol	Conditions	Ratings	Unit
Motor supply voltage	V _{BB}		10 to 28	V
Logic supply voltage	V _{CC}		4.75 to 5.25	V
Reference voltage	V _{REF}		1.5 to 5.0	V

Electrical Characteristics at Ta = 25°C, V_{BB} = 24V, V_{CC} = 5V, V_{REF} = 5.0V

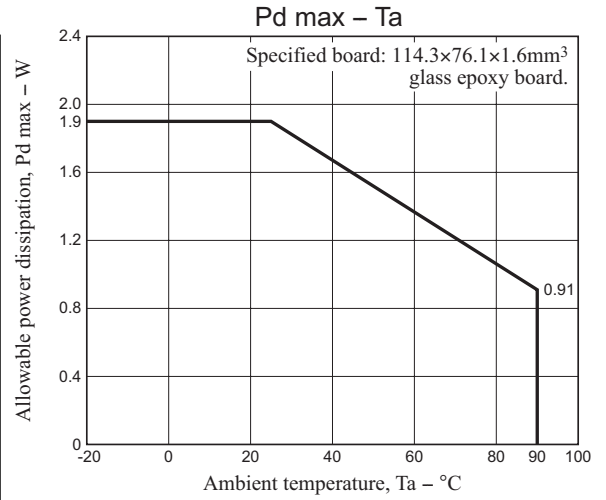
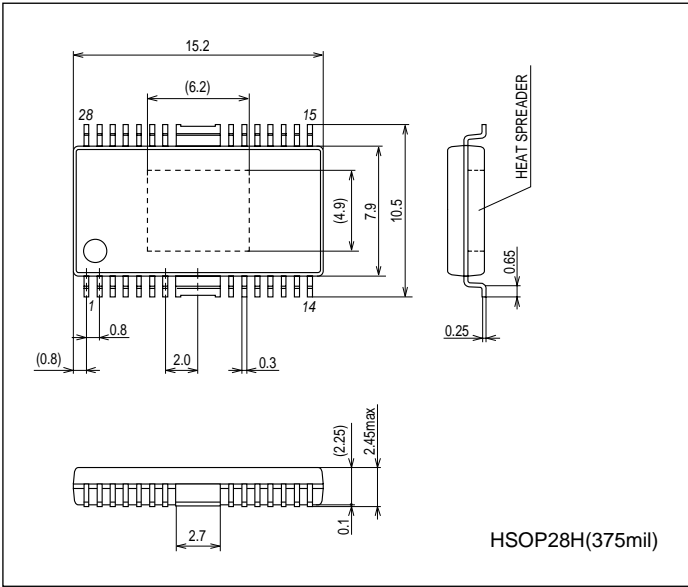
Parameter	Symbol	Conditions	Ratings			Unit
			min	typ	max	
Output Block						
Output stage supply current	I _{BB} ON	I ₁ = 0.8V, I ₂ = 0.8V, ENABLE = 0.8V	0.5	1.0	2.0	mA
	I _{BB} OFF	ENABLE = 3.2V			0.2	mA
Output saturation voltage	V _O sat1	I _O = +0.5A, sink		0.3	0.5	V
	V _O sat2	I _O = +0.8A, sink		0.5	0.7	V
	V _O sat3	I _O = -0.5A, source		1.6	1.8	V
	V _O sat4	I _O = -0.8A, source		1.8	2.0	V
Output leakage current	I _O 1(leak)	V _O = V _{BB} , sink			50	μA
	I _O 2(leak)	V _O = 0V, source	-50			μA
Output sustain voltage	V _{SUS}	L = 3.9mH, I _O = 1.0A, Design guarantee value *	30			V
Logic Block						
Logic supply current	I _{CC} ON	I ₁ = 0.8V, I ₂ = 0.8V, ENABLE = 0.8V	50	70	92	mA
	I _{CC} OFF	ENABLE = 3.2V	7	10	13	mA
Input voltage	V _{IH}		3.2			V
	V _{IL}				0.8	V
Input current	I _{IH}	V _{IH} = 3.2V	35	50	65	μA
	I _{IL}	V _{IL} = 0.8V	7	10	13	μA
Set current control threshold value	V _{ref} /V _{sen}	I ₁ = 0.8V, I ₂ = 0.8V	9.5	10	10.5	
		I ₁ = 3.2V, I ₂ = 0.8V	13.5	15	16.5	
		I ₁ = 0.8V, I ₂ = 3.2V	25.5	30	34.5	
Reference current	I _{ref}	V _{ref} = 5.0V, I ₁ = 0.8V, I ₂ = 0.8V	17.5	25	32.5	μA
CR pin current	I _{CR}	CR = 1.0V	-1.0			mA
Thermal shutdown temperature	T-TSD	Design guarantee value *		170		°C
Temperature hysteresis width	T _s hys			40		°C

* Design guarantee value, Do not measurement.

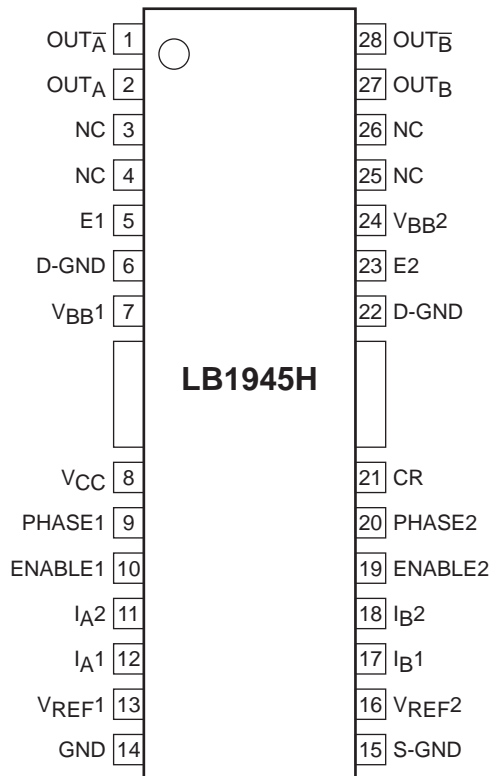
LB1945H

Package Dimensions

unit : mm (typ)
3233B

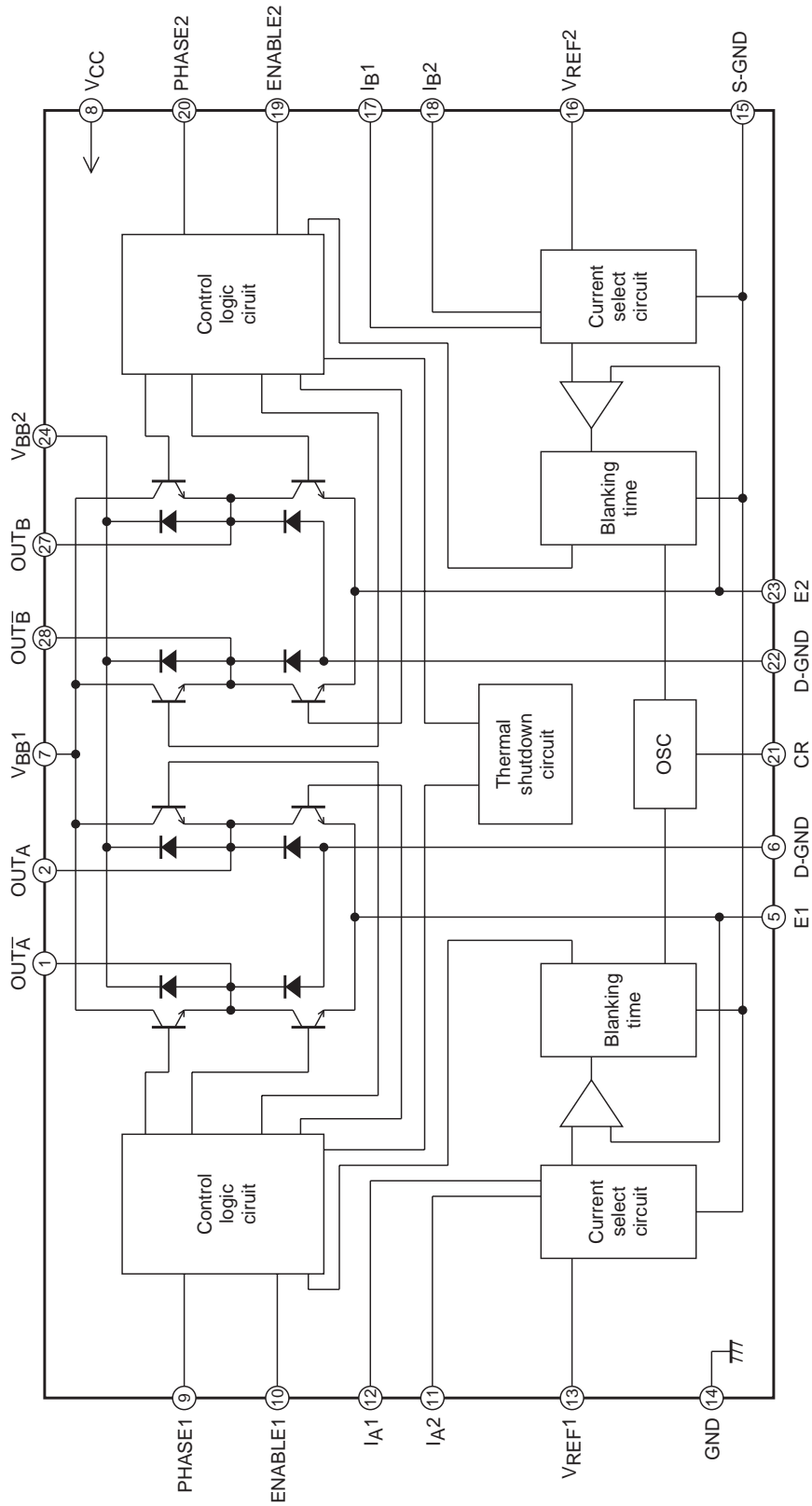


Pin Assignment



LB1945H

Block Diagram



LB1945H

Truth Table

ENABLE	PHASE	OUT _A	OUT _A [̄]
L	H	H	L
L	L	L	H
H	-	OFF	OFF

I ₁	I ₂	Output current
L	L	$V_{ref} / (10 \times RE) = I_{OUT}$
H	L	$V_{ref} / (15 \times RE) = I_{OUT} \times 2/3$
L	H	$V_{ref} / (30 \times RE) = I_{OUT} \times 1/3$
H	H	0

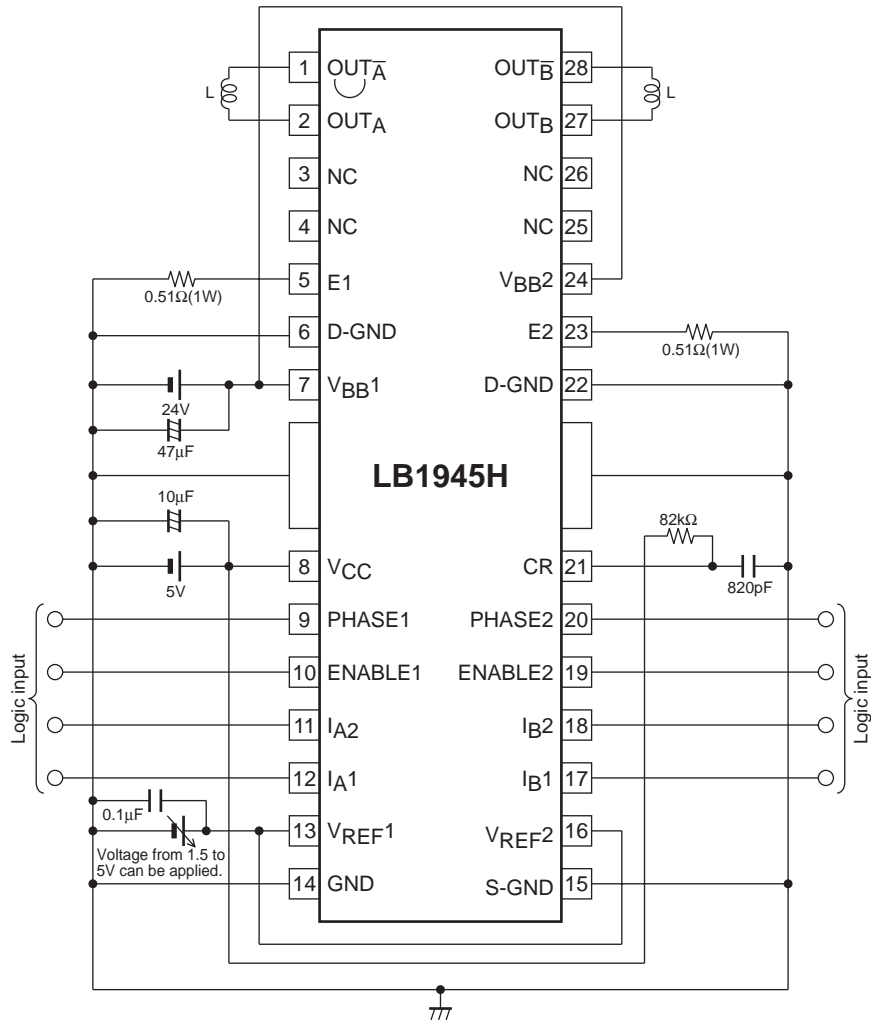
Note: Output is OFF when ENABLE = H or when I₁ = I₂ = H.

Pin Function

Pin No.	Pin name	Function
7	V _{BB1}	Output stage power supply voltage pin.
24	V _{BB2}	Cathode pin for the upper-side diodes.
5 23	E1 E2	Insert resistor RE between these pins and ground to control set current.
2 1 27 28	OUT _A OUT _A [̄] OUT _B OUT _B [̄]	Output pins.
14	GND	Ground pin.
15	S-GND	Sense ground pin.
6 22	D-GND D-GND	Lower-side internal diode ground (anode).
21	CR	Triangular wave chopping with CR constant setting. Triangular wave OFF time is noise cancel time.
13 16	V _{REF1} V _{REF2}	Output current setting pins. (Output current is set by inputting a 1.5V to 7.5V voltage.)
9 20	PHASE1 PHASE2	Output phase select input pin. High input: OUT _A = H, OUT _A [̄] = L Low input: OUT _A = L, OUT _A [̄] = H
10 19	ENABLE1 ENABLE2	Output ON/OFF setting input pins. High input: output OFF Low input: output ON
12,11 17,18	I _{A1} , I _{A2} I _{B1} , I _{B2}	Output current setting digital input pins. Current is set to 1/3, 2/3, 1 by High and Low combinations.
8	V _{CC}	Logic block power supply voltage pin.

LB1945H

Application Circuit Example



The fin on the bottom of HSOP-28H package and the fins between pins 7 and 8 and 21 and 22 should be grounded.

Usage Notes

1. VREF pin

Because the VREF pin is used as reference voltage input pin for the current setting, care must be taken to prevent noise from affecting the input.

2. GND pin

Because this IC switches large currents, the ground pattern must be designed with care. The fin on the bottom of the package and the fins between pins 7 and 8 and 21 and 22 should be grounded. Low-impedance patterns should be used in blocks where large currents flow, and these blocks should be separated from low-level signal blocks. In particular, the ground of the sense resistor RE at pin E should be located close to the IC ground. Pattern layout should be designed so that the capacitors between V_{CC} and ground and V_{BB} and ground are close to V_{CC} and V_{BB} .

ON Semiconductor and the ON logo are registered trademarks of Semiconductor Components Industries, LLC (SCILLC). SCILLC owns the rights to a number of patents, trademarks, copyrights, trade secrets, and other intellectual property. A listing of SCILLC's product/patent coverage may be accessed at www.onsemi.com/site/pdf/Patent-Marking.pdf. SCILLC reserves the right to make changes without further notice to any products herein. SCILLC makes no warranty, representation or guarantee regarding the suitability of its products for any particular purpose, nor does SCILLC assume any liability arising out of the application or use of any product or circuit, and specifically disclaims any and all liability, including without limitation special, consequential or incidental damages. "Typical" parameters which may be provided in SCILLC data sheets and/or specifications can and do vary in different applications and actual performance may vary over time. All operating parameters, including "Typicals" must be validated for each customer application by customer's technical experts. SCILLC does not convey any license under its patent rights nor the rights of others. SCILLC products are not designed, intended, or authorized for use as components in systems intended for surgical implant into the body, or other applications intended to support or sustain life, or for any other application in which the failure of the SCILLC product could create a situation where personal injury or death may occur. Should Buyer purchase or use SCILLC products for any such unintended or unauthorized application, Buyer shall indemnify and hold SCILLC and its officers, employees, subsidiaries, affiliates, and distributors harmless against all claims, costs, damages, and expenses, and reasonable attorney fees arising out of, directly or indirectly, any claim of personal injury or death associated with such unintended or unauthorized use, even if such claim alleges that SCILLC was negligent regarding the design or manufacture of the part. SCILLC is an Equal Opportunity/Affirmative Action Employer. This literature is subject to all applicable copyright laws and is not for resale in any manner.