



SANYO Semiconductors

DATA SHEET

An ON Semiconductor Company

LB1960MC

Monolithic Digital IC For Fan Motor 2-phase Half-Wave Driver

Overview

The LB1960MC is a 2-phase half-wave driver for fan motor. The LB1960MC is a compact package. Low external parts count, easy wiring, and small PCB area allow use also with miniature fan motors.

Functions

- Dual power supply voltage design (5/12V) and wide voltage handling range. (3V also supported for rotation functions only)
- Constant-voltage Hall bias power supply (1.3V across HB to GND) assures stable Hall output over entire temperature and power supply voltage range. External limiting resistor not required.
- Built-in Hall amplifier with hysteresis (supports core without commutating pole).
- Built-in lockup protection and automatic recovery circuits (External capacitor for rotation detection need only be 0.1 μ F, allowing compact, cost-saving design).
- Built-in output transistor with output withstand voltage 24V (max)/output current 500mA (average), 1A (peak).
- Built-in thermal protection circuit.

Specifications

Maximum Ratings at Ta = 25°C

Parameter	Symbol	Conditions	Ratings	Unit
Maximum supply voltage	V _{CC} max		18	V
Maximum output current	I _{OUT} ave		500	mA
	I _{OUT} peak	t ≤ 1ms	1000	mA
Maximum output voltage	V _{OUT} max		Internal	V
Maximum HB output current	I _H max		10	mA
Allowable power dissipation	P _d max	Mounted on a specified board *	750	mW
Operating temperature	T _{opr}		-30 to +85	°C
Storage temperature	T _{stg}		-55 to +150	°C

* Specified board: 114.3mm × 76.1mm × 1.6mm, glass epoxy board.

Caution 1) Absolute maximum ratings represent the value which cannot be exceeded for any length of time.

Caution 2) Even when the device is used within the range of absolute maximum ratings, as a result of continuous usage under high temperature, high current, high voltage, or drastic temperature change, the reliability of the IC may be degraded. Please contact us for the further details.

■ Any and all SANYO Semiconductor Co.,Ltd. products described or contained herein are, with regard to "standard application", intended for the use as general electronics equipment. The products mentioned herein shall not be intended for use for any "special application" (medical equipment whose purpose is to sustain life, aerospace instrument, nuclear control device, burning appliances, transportation machine, traffic signal system, safety equipment etc.) that shall require extremely high level of reliability and can directly threaten human lives in case of failure or malfunction of the product or may cause harm to human bodies, nor shall they grant any guarantee thereof. If you should intend to use our products for new introduction or other application different from current conditions on the usage of automotive device, communication device, office equipment, industrial equipment etc., please consult with us about usage condition (temperature, operation time etc.) prior to the intended use. If there is no consultation or inquiry before the intended use, our customer shall be solely responsible for the use.

■ Specifications of any and all SANYO Semiconductor Co.,Ltd. products described or contained herein stipulate the performance, characteristics, and functions of the described products in the independent state, and are not guarantees of the performance, characteristics, and functions of the described products as mounted in the customer's products or equipment. To verify symptoms and states that cannot be evaluated in an independent device, the customer should always evaluate and test devices mounted in the customer's products or equipment.

SANYO Semiconductor Co., Ltd.

<http://semicon.sanyo.com/en/network>

LB1960MC

Allowable Operating Conditions at $T_a = 25^\circ\text{C}$

Parameter	Symbol	Conditions	Ratings	Unit
Recommended supply voltage	V_{CC}		3.6 to 17	V
Common mode input voltage range	V_{COM}		0.2 to HB	V

Electrical Characteristics at $T_a = 25^\circ\text{C}$, $V_{CC} = 12\text{V}$

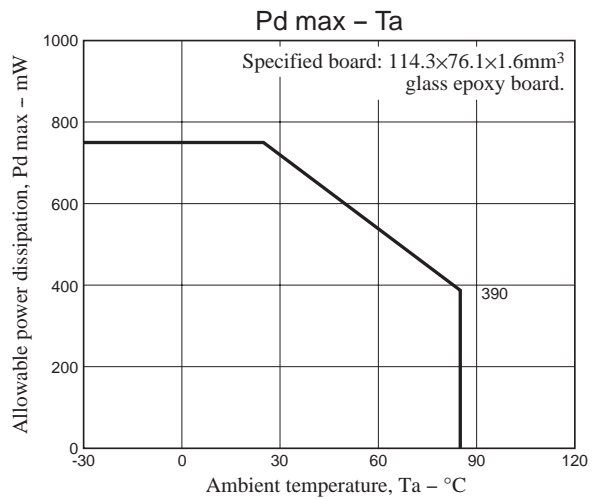
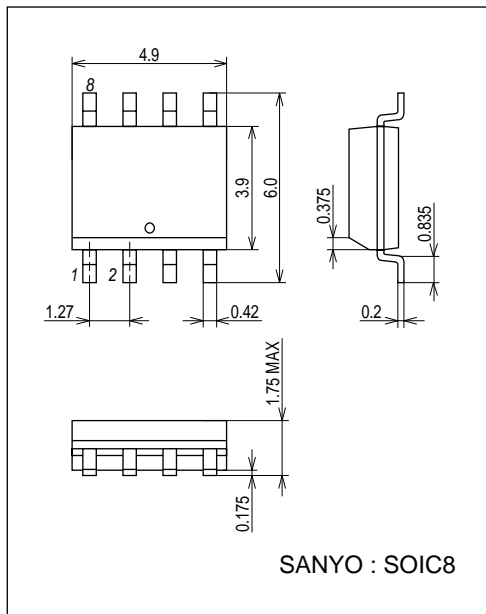
Parameter	Symbol	Conditions	Ratings			Unit
			min	typ	max	
Circuit current	I_{CC}	In drive mode (CT = L)		2.3	4	mA
		In lockup protection mode (CT = H)		3	5	mA
CT capacitor charge current	I_{CT1}	$V_{CT} = 0.2\text{V}$	0.8	1.2	2.0	μA
Capacitor discharge current	I_{CT2}	$V_{CT} = 8\text{V}$	0.16	0.24	0.4	μA
Capacitor charge/discharge current ratio	R_{CT}	$R_{CT} = I_{CT1}/I_{CT2}$	4.0	5.0	7.0	
CT charge voltage	V_{CT1}		6.8	7.2	7.6	V
CT discharge voltage	V_{CT2}		1.4	1.6	1.8	V
Output limiter withstand voltage	V_{OLM}	$I_O = 1\text{mA}$	22.5	23.5	24.5	V
Output saturation voltage	V_{Osat}	$I_O = 50\text{mA}$		1.0	1.3	V
Hall input sensitivity	V_{HN}	Including offset and hysteresis		6	12	mV
HB output H voltage	V_{HBH}	$R_H = 350\Omega$	1.1	1.3	1.5	V
Thermal protection trigger temperature	TSD	Assured design target *	180	180	210	$^\circ\text{C}$

* Assured design target: Target value, not measured individually.

Package Dimensions

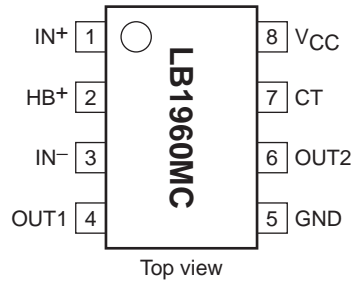
unit : mm (typ)

3424

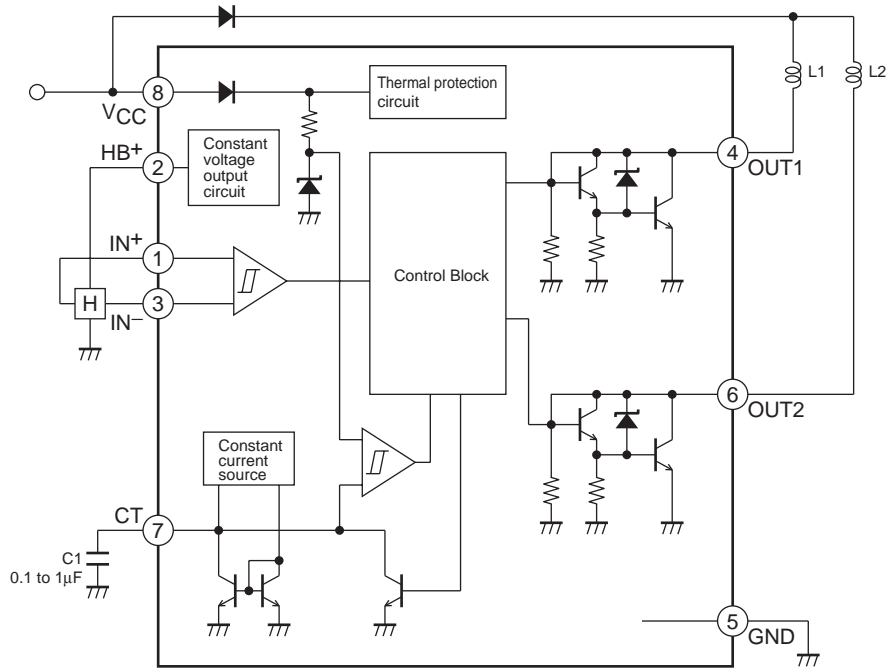


LB1960MC

Pin Assignment



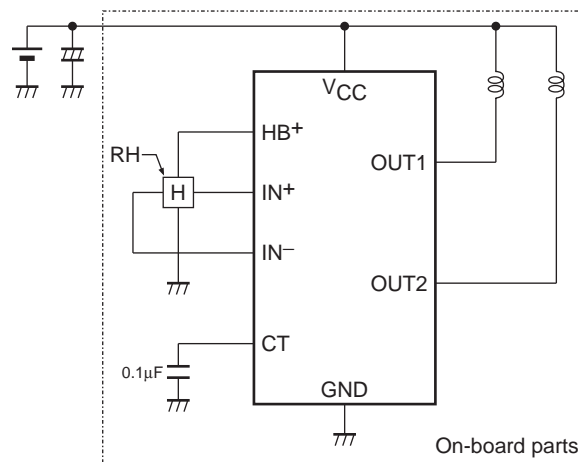
Block Diagram



Truth Table

IN ⁻	IN ⁺	CT	OUT1	OUT2	Mode
H	L	L	L	H	Rotating
L	H		H	L	
-	-	H	OFF	OFF	Lock-up protection activated

Application Circuit Example 5/12V power supply (3.8 to 18V)



Precautions

- If CT pin is connected to GND, the lockup protection and restart functions are disabled.
- In a circuit configuration as shown above, a power supply/GND reverse connection will cause a current to flow as follows: GND → OUT → coil → power supply. The value of this current is limited by the coil resistance. If it is less than 500mA, the IC will not be destroyed. If required, insert a diode between V_{CC} and the coil.

- SANYO Semiconductor Co.,Ltd. assumes no responsibility for equipment failures that result from using products at values that exceed, even momentarily, rated values (such as maximum ratings, operating condition ranges, or other parameters) listed in products specifications of any and all SANYO Semiconductor Co.,Ltd. products described or contained herein.
- Regarding monolithic semiconductors, if you should intend to use this IC continuously under high temperature, high current, high voltage, or drastic temperature change, even if it is used within the range of absolute maximum ratings or operating conditions, there is a possibility of decrease reliability. Please contact us for a confirmation.
- SANYO Semiconductor Co.,Ltd. strives to supply high-quality high-reliability products, however, any and all semiconductor products fail or malfunction with some probability. It is possible that these probabilistic failures or malfunction could give rise to accidents or events that could endanger human lives, trouble that could give rise to smoke or fire, or accidents that could cause damage to other property. When designing equipment, adopt safety measures so that these kinds of accidents or events cannot occur. Such measures include but are not limited to protective circuits and error prevention circuits for safe design, redundant design, and structural design.
- In the event that any or all SANYO Semiconductor Co.,Ltd. products described or contained herein are controlled under any of applicable local export control laws and regulations, such products may require the export license from the authorities concerned in accordance with the above law.
- No part of this publication may be reproduced or transmitted in any form or by any means, electronic or mechanical, including photocopying and recording, or any information storage or retrieval system, or otherwise, without the prior written consent of SANYO Semiconductor Co.,Ltd.
- Any and all information described or contained herein are subject to change without notice due to product/technology improvement, etc. When designing equipment, refer to the "Delivery Specification" for the SANYO Semiconductor Co.,Ltd. product that you intend to use.
- Upon using the technical information or products described herein, neither warranty nor license shall be granted with regard to intellectual property rights or any other rights of SANYO Semiconductor Co.,Ltd. or any third party. SANYO Semiconductor Co.,Ltd. shall not be liable for any claim or suits with regard to a third party's intellectual property rights which has resulted from the use of the technical information and products mentioned above.

This catalog provides information as of July, 2012. Specifications and information herein are subject to change without notice.