



LB1966M

Fan Motor 2-Phase Half-Wave Driver

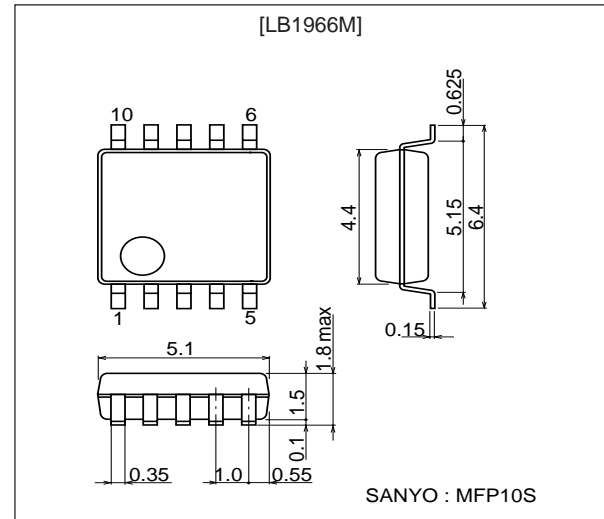
Features

- Dual power supply voltage design (5/12V) and wide voltage handling range
- Built-in Hall amplifier with hysteresis (supports core without commutating pole)
- Built-in lockup protection and automatic recovery circuits (External capacitor for rotation detection need only be 0.1 μ F, allowing compact, cost-saving design)
- Built-in latch-type RD (restraint protection) output ($V_{osat} = 0.2V_{typ}$ at $I_o = 5\text{ mA}$)
- Built-in output transistor with output withstand voltage 24Vmin/output current 500 mA (average), 1.2A (peak)
- Built-in thermal protection circuit
- Compact, high-temperature resistant MFP-10 package reduces external parts count and mounting space, therefore making this IC support the motors with a wide range of sizes and speeds.

Package Dimensions

unit: mm

3086A-MFP10S



Specification

Absolute Maximum Ratings at $T_a = 25^\circ\text{C}$

Parameter	Symbol	Conditions	Ratings	Unit
Maximum supply voltage	$V_{CC\ max}$		18	V
Allowable power dissipation	$P_d\ max$	With specified substrate *	800	mW
Output current	$I_{OUT\ ave}$		500	mA
	$I_{OUT\ peak}$	$t \leq 1\ ms$	1200	mA
Output withstand voltage	$V_{OUT\ max}$		Internal	V
RD output current	$I_{RD\ max}$		10	mA
RD output withstand voltage	$V_{RDOUT\ max}$		18	V
Operating temperature	T_{opr}		-30 to +85	$^\circ\text{C}$
Storage temperature	T_{stg}		-55 to +150	$^\circ\text{C}$

* With substrate (114.3 \times 76.1 \times 1.5 mm³, glass epoxy)

■ Any and all SANYO products described or contained herein do not have specifications that can handle applications that require extremely high levels of reliability, such as life-support systems, aircraft's control systems, or other applications whose failure can be reasonably expected to result in serious physical and/or material damage. Consult with your SANYO representative nearest you before using any SANYO products described or contained herein in such applications.

■ SANYO assumes no responsibility for equipment failures that result from using products at values that exceed, even momentarily, rated values (such as maximum ratings, operating condition ranges, or other parameters) listed in products specifications of any and all SANYO products described or contained herein.

LB1966M

Allowable Operating Ranges at Ta = 25°C

Parameter	Symbol	Conditions	Ratings	Unit
Power supply voltage	V _{CC1}		3.6 to 17	V
Common mode input voltage range	V _{COM}		0.2 to V _{CC} -2.3	V

Electrical Characteristics at Ta = 25°C, VCC = 12V

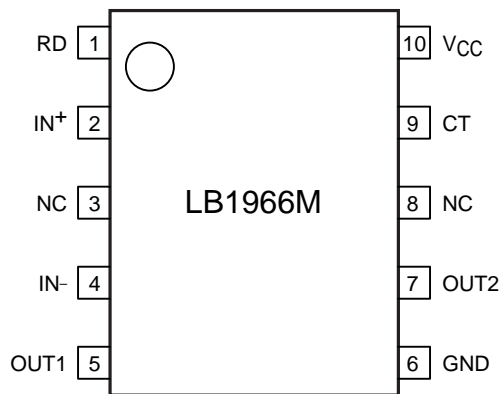
Parameter	Symbol	Conditions	Ratings			Unit
			min	typ	max	
Circuit current	I _{CC}	In drive mode (CT = L)		4	6	mA
		In lockup protection mode (CT = H)		4	6	mA
CT capacitor charge current	I _{CT1}	V _{CT} = 0.2V	0.8	1.2	2.0	μA
Capacitor discharge current	I _{CT2}	V _{CT} = 8V	0.16	0.24	0.4	μA
Capacitor discharge current ratio	R _{CT}	R _{CT} = I _{CT1} /I _{CT2}	4.0	6.0	8.0	–
CT charge voltage	V _{CT1}		6.0	7.0	8.0	V
CT discharge voltage	V _{CT2}		1.2	1.6	2.0	V
Output limiter withstand voltage	V _{OLM}	I _o = 10 mA	24.0	25.5	27.0	V
Output saturation voltage	V _{OSat}	I _o = 500 mA		1.0	1.3	V
Hall input sensitivity	V _{HN}	Including offset and hysteresis		10	18	mV
RD output saturation voltage	V _{RDsat}	I _{RD} = 5 mA		0.2	0.5	V
RD output leak current	I _{RDL}	V _{RD} = 14V		0.1	10	μA
Thermal protection trigger temperature	T _{TSD}	Assured design target *	150	180	200	°C

* Assured design target: Target value, not measured individually

Truth Table

IN-	IN+	CT	OUT1	OUT2	RD	Mode
H	L	L	L	H	L	Rotating
L	H		H	L	L	
–	–	H	off	off	H	Lock-up protection activated

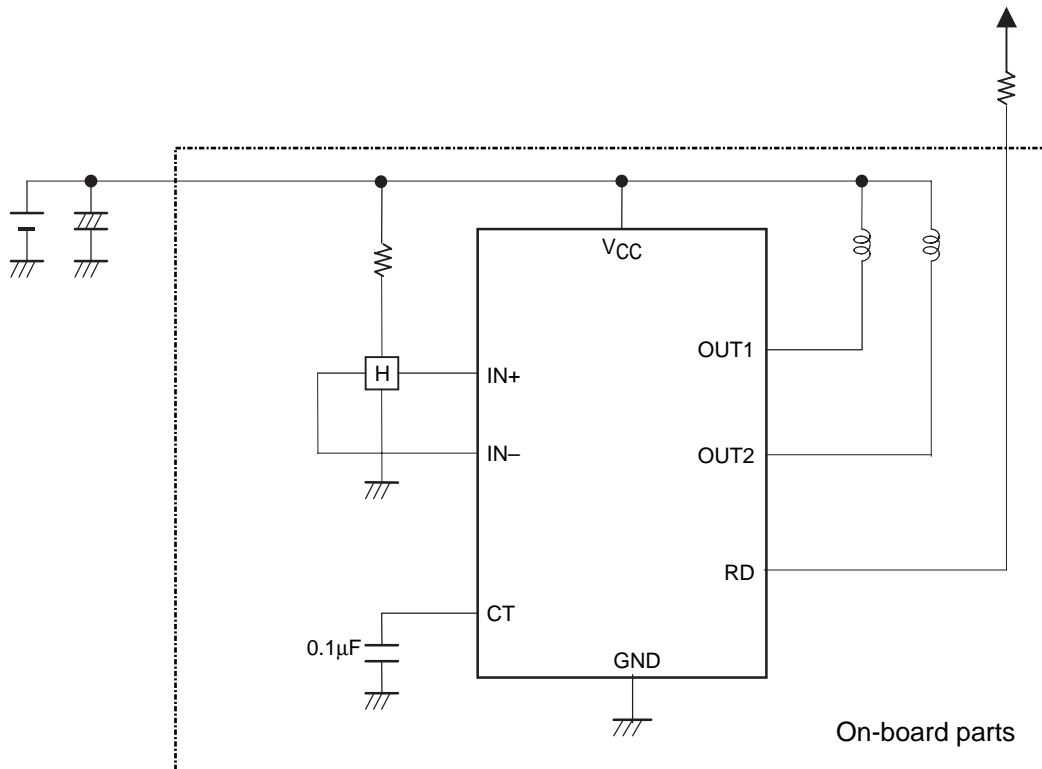
Pin Assignment



Top view

Sample Application Circuit

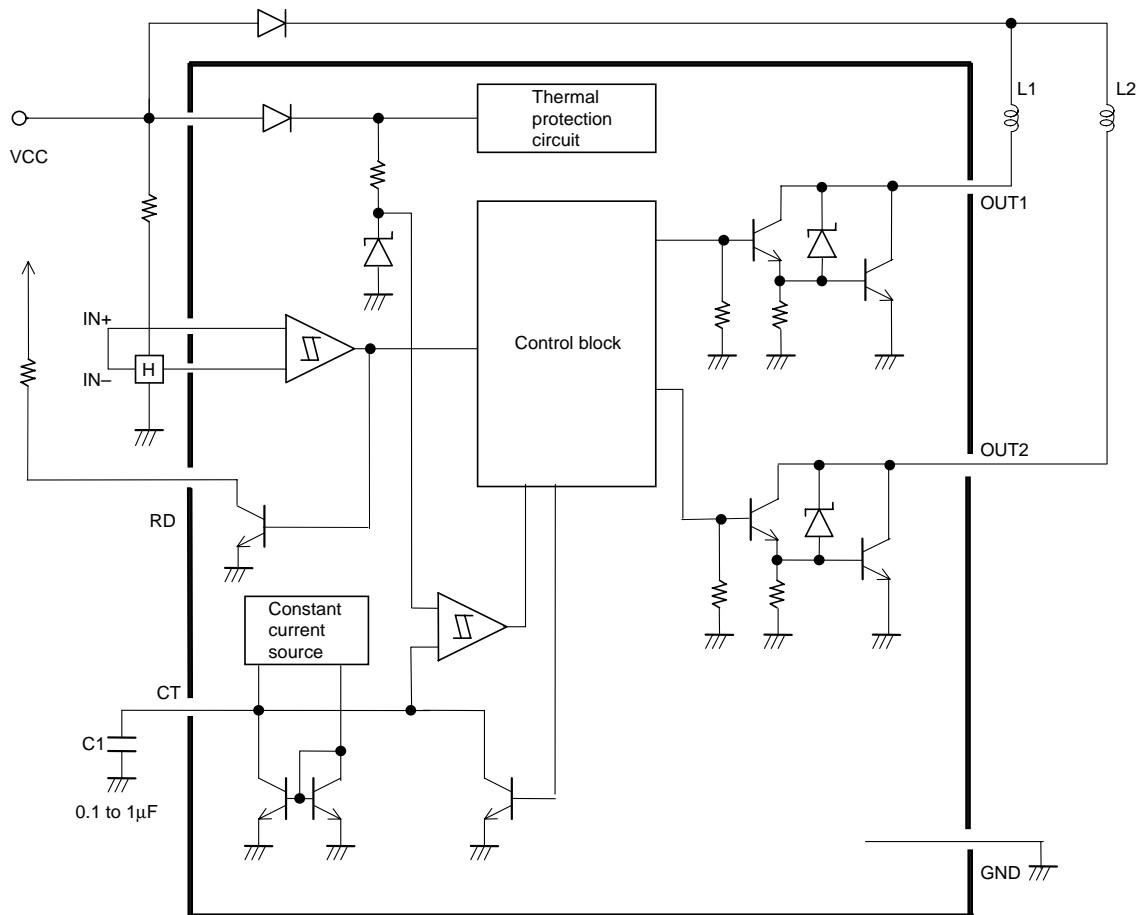
5/12V power supply (3.8 to 17V)



Precautions

- Wiring layout for IN⁻ and OUT1 must be designed to prevent interference. (If oscillation occurs for example when output phase is switched, connect a capacitor with 0.1 µF or less between IN⁻ and IN⁺ pins.)
- If CT pin is connected to GND, the lockup protection and restart functions are disabled.
- In a circuit configuration as shown above, a power supply/GND reverse connection will cause a current to flow as follows: GND -> OUT -> coil -> power supply. The magnitude of this current is limited by the coil resistance. If it is less than 500 mA, the IC will not be destroyed. If required, insert a diode between V_{CC} and the coil.

Block Diagram and Sample Application Circuit



- Specifications of any and all SANYO products described or contained herein stipulate the performance, characteristics, and functions of the described products in the independent state, and are not guarantees of the performance, characteristics, and functions of the described products as mounted in the customer's products or equipment. To verify symptoms and states that cannot be evaluated in an independent device, the customer should always evaluate and test devices mounted in the customer's products or equipment.
- SANYO Electric Co., Ltd. strives to supply high-quality high-reliability products. However, any and all semiconductor products fail with some probability. It is possible that these probabilistic failures could give rise to accidents or events that could endanger human lives, that could give rise to smoke or fire, or that could cause damage to other property. When designing equipment, adopt safety measures so that these kinds of accidents or events cannot occur. Such measures include but are not limited to protective circuits and error prevention circuits for safe design, redundant design, and structural design.
- In the event that any or all SANYO products (including technical data, services) described or contained herein are controlled under any of applicable local export control laws and regulations, such products must not be exported without obtaining the export license from the authorities concerned in accordance with the above law.
- No part of this publication may be reproduced or transmitted in any form or by any means, electronic or mechanical, including photocopying and recording, or any information storage or retrieval system, or otherwise, without the prior written permission of SANYO Electric Co., Ltd.
- Any and all information described or contained herein are subject to change without notice due to product/technology improvement, etc. When designing equipment, refer to the "Delivery Specification" for the SANYO product that you intend to use.
- Information (including circuit diagrams and circuit parameters) herein is for example only; it is not guaranteed for volume production. SANYO believes information herein is accurate and reliable, but no guarantees are made or implied regarding its use or any infringements of intellectual property rights or other rights of third parties.

This catalog provides information as of June, 1999. Specifications and information herein are subject to change without notice.