

SANYO

No. 5388

LB8112V**Loading Motor Driver with Built-in Sensor Amplifiers****Overview**

The LB8112V integrates a driver for a video cassette deck loading motor and the associated peripheral sensor amplifiers in a single chip. The LB8112V can implement circuits with low saturation voltages and low power levels since it can directly drive power transistors from the V_M power supply.

Functions and Features

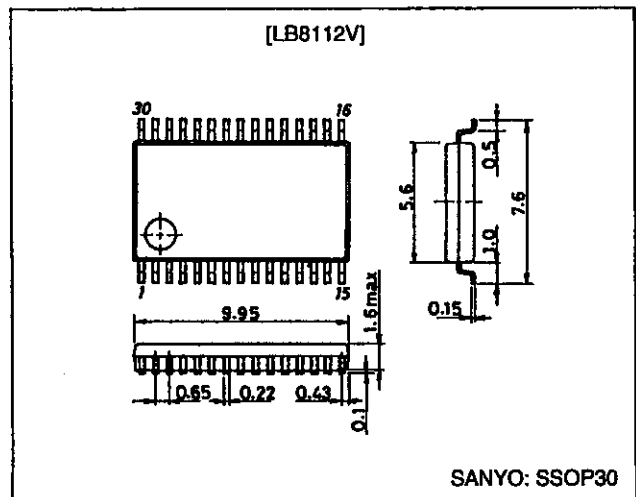
- Built-in output current control and detection circuits for the loading motor
- Two reel motor FG amplifiers
- Two top-end sensors
- Two buffer amplifiers and an overcurrent protection circuit
- Thermal shutdown

Specifications**Absolute Maximum Ratings at $T_a = 25^\circ\text{C}$**

Parameter	Symbol	Conditions	Ratings	Unit
Maximum supply voltage	V_{CC1} max		7	V
	V_{CC2} max		11	V
	V_M max		V_{CC2}	V
Maximum output current	I_M max	Continuous, $P_d < 0.5$ W	600	mA
Input voltage	V_{IN}		-0.3 to $V_{CC1} + 0.3$	V
Allowable power dissipation	P_d max	Independent device, $T_J = 150^\circ\text{C}$	0.5	W
Operating temperature	T_{opr}		-20 to +80	$^\circ\text{C}$
Storage temperature	T_{stg}		-55 to +150	$^\circ\text{C}$

Package Dimensions

unit: mm

3191-SSOP30

LB8112V

Allowable Operating Ranges at Ta = 25°C

Parameter	Symbol	Conditions	Ratings	Unit
Supply voltage	V _{CC1}		2.7 to 4.0	V
	V _{CC2}	V _{CC2} ≥ V _{CC1}	2.7 to 9	V
V _M voltage	V _M		2.2 to V _{CC2}	V

Electrical Characteristics at Ta = 25°C, V_{CC1} = 3 V, V_{CC2} = 4.75 V, V_M = 3.0 V

Parameter	Symbol	Conditions	min	typ	max	Unit
V _{CC1} current drain	I _{CC11}	Standby mode		2.3	4	mA
	I _{CC12}	Forward/reverse mode, LIMIT and EN = low		14	19	mA
	I _{CC13}	Brake mode, LIMIT and EN = low		10	14	mA
V _{CC2} current drain	I _{CC21}	Standby mode (V _{CC1} = open)		0.1	20	μA
	I _{CC22}	Standby mode (V _{CC1} = 3.0 V)		0.480	1	mA
	I _{CC23}	Forward/reverse mode		18.5	25	mA
V _M current drain		Standby mode		0.1	20	μA
[Logic Inputs (the DEC1, DEC2, LIMIT, and EN pins)]						
Input high-level voltage	V _{INH}	V _{CC1} = 2.7 to 4.0	2.0			V
High-level input current	I _{INH}	V _{IN} = 3.0 V		46	65	μA
Input low-level voltage	V _{INL}	V _{CC1} = 2.7 to 4.0			0.6	V
Low-level input current	I _{INL}	V _{IN} = 0.6 V		4.6	10	μA
[Logic Outputs (the LIMITOUT, TOPOUT, and ENDOUT pins)]						
Output high-level voltage	V _{OUTH}	V _{CC1} = 2.7 to 4.0, source current: 10 μA	V _{CC1} - 0.5			V
Output low-level voltage	V _{OUTL}	V _{CC1} = 2.7 to 4.0, sink current: 10 μA			0.4	V
[Loading Motor Driver]						
Output saturation voltage	V _{(sat)1}	I _O = 200 mA (vertical addition)		0.2	0.3	V
	V _{(sat)2}	I _O = 400 mA (vertical addition)		0.4	0.6	V
Limit current	I _{Lim}	V _{RS} = 200 mV, R _F = 1.0 Ω, R _L = 7.5 Ω	172	192	212	mA
Detection current	I _{DET}				400	mA
Limit current setting range	ΔI _{Lim}	V _{RS} = 0.1 to 0.3 V, R _F = 0.5 Ω, R _L = 4.7 Ω, V _M = 4.6 V	100		600	mA
[Reel FG Amplifier]						
Input offset voltage	V _{IO}			±1	±5	mV
Input bias current	I _B	V _{IN} = 0.3 V			250	nA
Common-mode input voltage range	V _{ICM}		1		2	V
Open-loop gain	G _{V1}	*		55		dB
Loop gain	G _{V2}		27	29	30.5	dB
Common-mode rejection ratio	C _{MR}	*	65	80		dB
Source output saturation voltage	V _{OU}	I _O = -40 μA		0.1	0.25	V
Sink output saturation voltage	V _{OD}	I _O = 40 μA		0.1	0.25	V
[LPF Buffer]						
Input offset	V _{IO}			±1	±7	mV
Input bias current	I _B	V _{IN} = 0 V			250	nA
Common-mode input voltage range	V _{ICM}		0		V _{CC2} - 1.5	V
Open loop gain	G _{V1}	*		55		dB
Common-mode rejection ratio	C _{MR}	*	65	80		dB
Output voltage range	V _{OUT1}		0		V _{CC2} - 1.5	V
Output current	Source	I _{SO}	V _O = 0 V	10		mA
		I _{SI1}	V _O = 1.0 V	1		mA
		I _{SI2}	V _O = 0.2 V	18	36	45
Bandwidth		*		1		MHz
[LPF Buffer Limiter]						
Input offset	V _{IO}			±1	±7	mV
Input bias	I _B	V _{IN} = 0.2 V			250	nA
Common-mode input voltage range	V _{ICM}		0		V _{CC1} - 1.5	V

Note: * Items marked with an asterisk are design target values and are not tested.

Continued on next page.

LB8112V

Continued from preceding page.

Parameter	Symbol	Conditions	min	typ	max	Unit
[TOP/END sensor]						
Input resistance	R_{IN}	*	4	5	6	k Ω
Minimum input sensitivity	ΔV		± 27	± 35	± 43	mV
Thermal shutdown operating temperature	T_{TSD}	*	150	180	210	$^{\circ}C$
Thermal shutdown hysteresis	ΔT_{TSD}	*		15		$^{\circ}C$

Note: * Items marked with an asterisk are design target values and are not tested.

Truth Tables

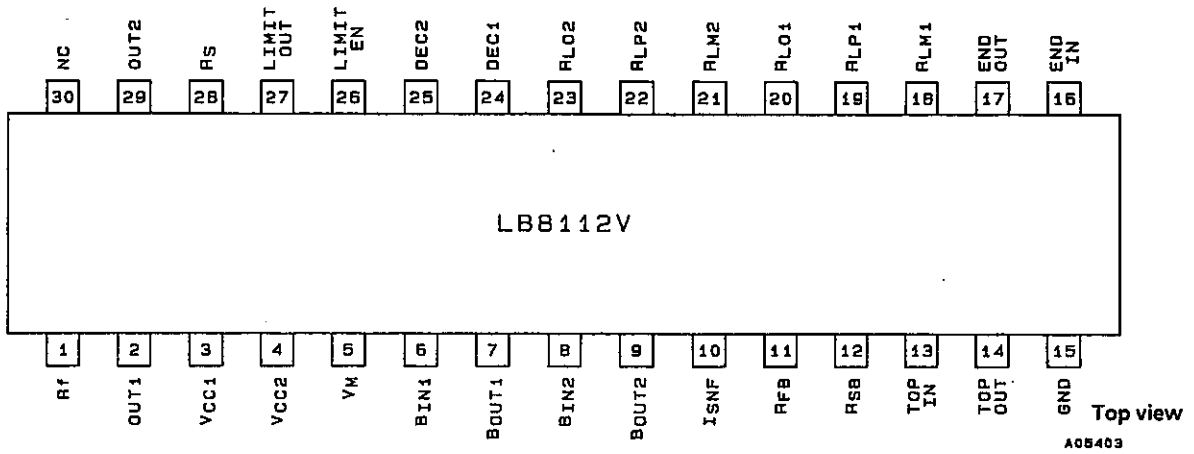
1. Loading motor truth table

Input		Output		Mode
DEC1	DEC2	OUT1	OUT2	
L	L	off	off	Standby
H	L	H	L	Forward
L	H	L	H	Reverse
H	H	L	L	Brake

2. Loading motor current limiter detection modes

LIMIT EN	OUT output	LIMIT OUT
H	LIMIT	L
	NONLIMIT	H
L	Saturation	H

Pin Assignment



LB8112V

Pin Functions

Pin No.	Symbol	Pin voltage	Equivalent circuit	Function
1	Rf		<p style="text-align: right;">A05406</p>	<ul style="list-style-type: none"> • P-ground for the output transistor • The output current is detected by a resistor inserted between the Rf pin and ground for motor current control.
2 29	OUT1 OUT2	0 to V _M	<p style="text-align: right;">A05407</p>	<ul style="list-style-type: none"> • Outputs • Connect these pins to the motor.
3	V _{CC1}	2.7 to 4.0 V		<ul style="list-style-type: none"> • Power supply for circuit other than the loading output block and the LPF buffer • This power supply must be stabilized so that noise does not enter at this pin.
4	V _{CC2}	2.7 to 9 V		<ul style="list-style-type: none"> • Power supply for the loading motor pre-driver and LPF buffer. • As is the case for V_{CC1}, this power supply must be stabilized so that noise does not enter at this pin.
5	V _M	2.2 to V _{CC2}		<ul style="list-style-type: none"> • Loading motor power supply • As is the case for V_{CC2}, this power supply must be stabilized so that noise does not enter at this pin.
6 8	B _{IN1} B _{IN2}		<p style="text-align: right;">A05408</p>	<ul style="list-style-type: none"> • LPF buffer input • This pin is used to form a low-pass filter as shown in the peripheral circuit example.
7 9	B _{OUT1} B _{OUT2}		<p style="text-align: right;">A05409</p>	<ul style="list-style-type: none"> • LPF buffer output • Outputs a voltage identical to that applied to the buffer IN pin.

Continued on next page.

LB8112V

Continued from preceding page.

Pin No.	Symbol	Pin voltage	Equivalent circuit	Function
10 11	ISNF RFB		<p>A05410</p>	<ul style="list-style-type: none"> • ISNF is the connection for the limiter oscillation prevention capacitor. • RFB is the LPF current limiter current detection pin.
12	RSB		<p>A05411</p>	<p>RSB is used to set the LPF limiter. The RSB pin voltage is determined by external circuits.</p>
13 16	TOP _{IN} END _{IN}		<p>A05412</p>	<ul style="list-style-type: none"> • Sense amplifier input block • Internal resistance: 5 kΩ • The output is inverted if a pulse in excess of ±35 mV is input to the IN pin.
15	GND			Ground that is common to P-GND and SGND.
14 17	TOP _{OUT} END _{OUT}	0 to V _{CC1}	<p>A05413</p>	The top and end sensor outputs.
18 19 21 22	RLM1 RLP1 RLM2 RLP2		<p>A05414</p>	<ul style="list-style-type: none"> • The L-FG amplifier inputs • RLM1 and RLM2 are negative inputs. • RLP1 and RLP2 are positive inputs.

Continued on next page.

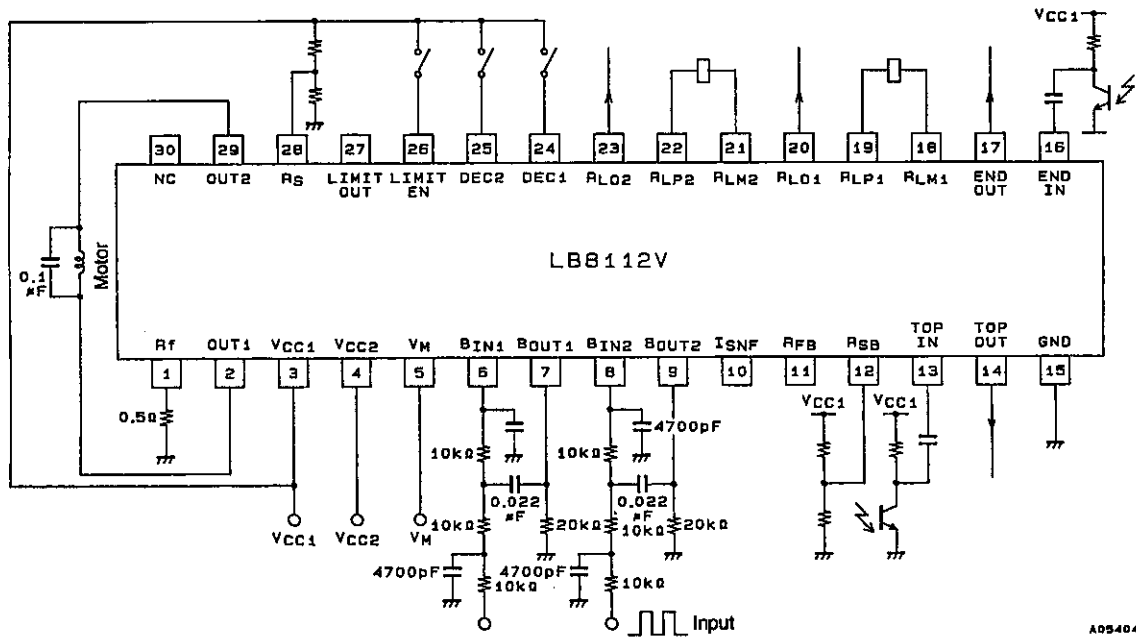
LB8112V

Continued from preceding page.

Pin No.	Symbol	Pin voltage	Equivalent circuit	Function
20 23	RLO1 RLO2	0 to V _{CC1}	<p style="text-align: right;">A05415</p>	The R-FG amplifier outputs
24 25	DEC1 DEC2	0 to V _{CC1}	<p style="text-align: right;">A05416</p>	Loading motor inputs When V _{CC1} = 3.0 V: 2.0 V or higher is high, and 0.6 V or lower is low.
26	LIMIT EN	0 to V _{CC1}	<p style="text-align: right;">A05417</p>	Current limiter on/off control When V _{CC1} = 3.0 V, if this pin is: 2.0 V or higher: The current limiter will be on. 0.6 V or lower: The current limiter will be off.
27	LIMIT OUT	0 to V _{CC1}	<p style="text-align: right;">A05418</p>	Current limiter detection output When V _{CC1} = 3.0 V, if this pin is: 2.5 V or higher: The current limiter will be off. 0.4 V or lower: The current limiter will be on.
28	RS	0 to V _{CC1} - 1.5 V	<p style="text-align: right;">A05419</p>	<ul style="list-style-type: none"> • Current limiter setting • Sets the limit current by setting the voltage between the Rf pin and GND.
30	NC			Unused pin (Must be left open.)

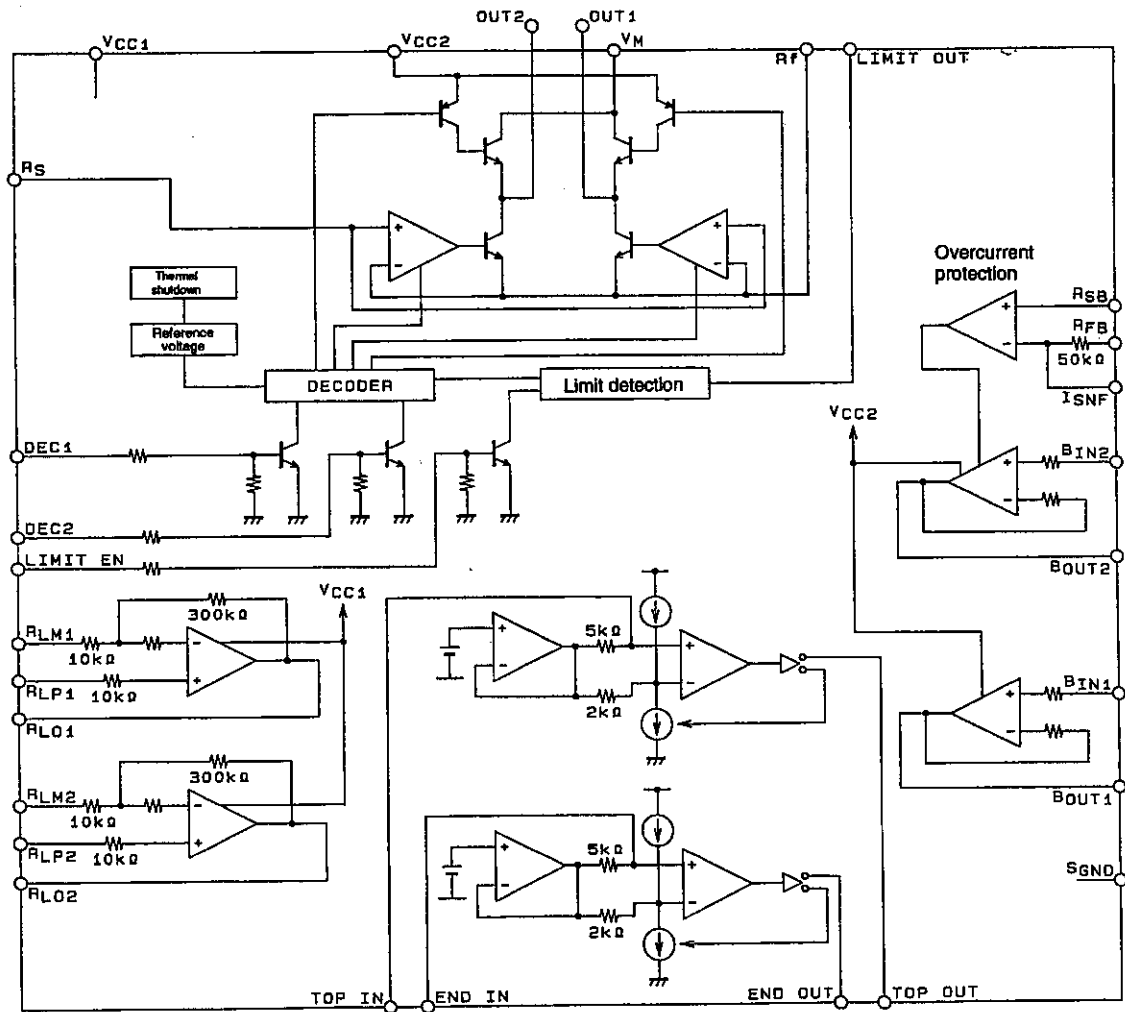
LB8112V

Peripheral Circuit Example



A05404

Equivalent Circuit Block Diagram



A05405

- No products described or contained herein are intended for use in surgical implants, life-support systems, aerospace equipment, nuclear power control systems, vehicles, disaster/crime-prevention equipment and the like, the failure of which may directly or indirectly cause injury, death or property loss.
- Anyone purchasing any products described or contained herein for an above-mentioned use shall:
 - ① Accept full responsibility and indemnify and defend SANYO ELECTRIC CO., LTD., its affiliates, subsidiaries and distributors and all their officers and employees, jointly and severally, against any and all claims and litigation and all damages, cost and expenses associated with such use:
 - ② Not impose any responsibility for any fault or negligence which may be cited in any such claim or litigation on SANYO ELECTRIC CO., LTD., its affiliates, subsidiaries and distributors or any of their officers and employees jointly or severally.
- Information (including circuit diagrams and circuit parameters) herein is for example only; it is not guaranteed for volume production. SANYO believes information herein is accurate and reliable, but no guarantees are made or implied regarding its use or any infringements of intellectual property rights or other rights of third parties.

This catalog provides information as of December, 1996. Specifications and information herein are subject to change without notice.