

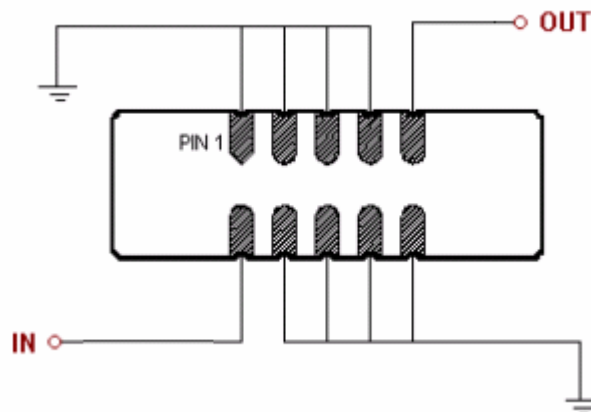
## Specifications

Parameter	Unit	Minimum	Typical	Maximum
Center Frequency	MHz	69.95	70	70.05
Insertion Loss	dB		22	23.5
1dB Bandwidth	MHz		9.25	
3 dB Bandwidth	MHz	9.5	9.52	
40dB Bandwidth	MHz		10.73	10.9
Passband Variation	dB		0.8	1
Group Delay Variation( $f_0 \pm 4.4\text{MHz}$ )	nsec		80	100
Absolute Delay	usec		2.44	
Ultimate Rejection	dB	48	50	
Substrate Material			YZ	
Ambient Temperature	°C		25	
Package Size		24.64mmx8.99mmx1.75mm		

### Notes:

- All specifications are based on the test circuit shown
- In production, devices will be tested at room temperature to a guardbanded specification to ensure electrical compliance over temperature
- Electrical margin has been built into the design to account for the variations due to temperature drift and manufacturing tolerances
- This is the optimum impedance in order to achieve the performance show

## Matching Configuration



**Source/Load Impedance=50 ohm**

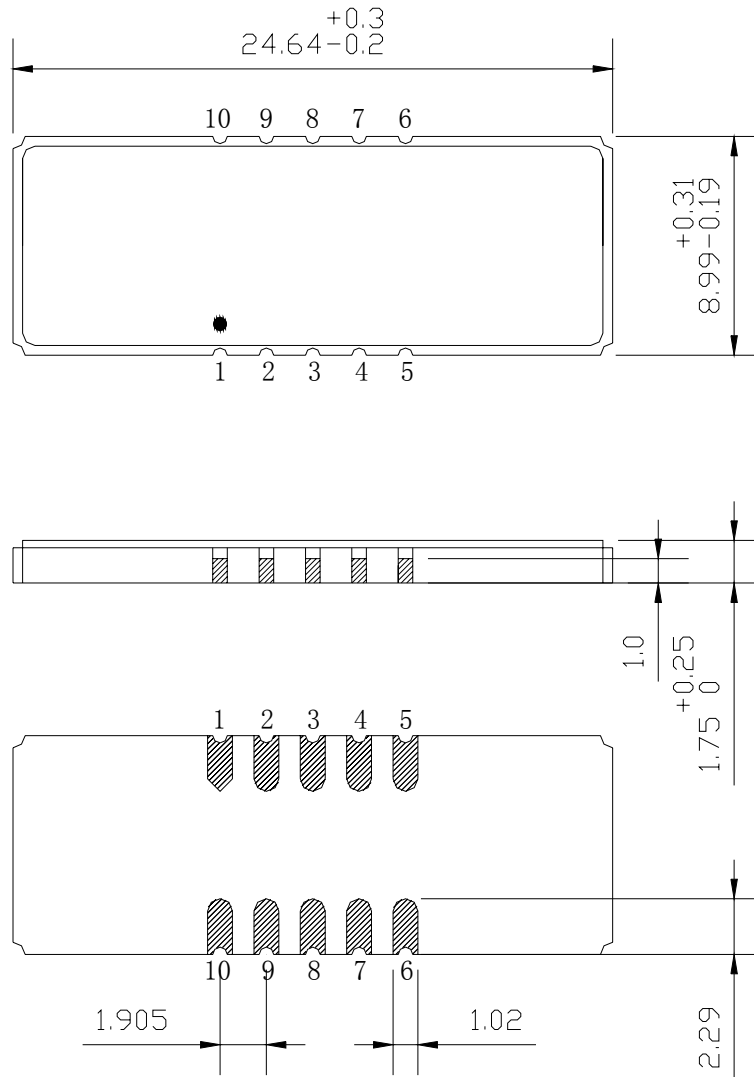
Notes - Component values may change depending  
on board layout.



**SIPAT Co., Ltd.**  
 ( CETC No. 26 Research Institute )  
 Nanping Huayuan Road No. 14  
 Chongqing, China, 400060

Part Number	LBN07093		
Rev. Date	2005-4-14		
Rev.	1.0	Page 1/3	

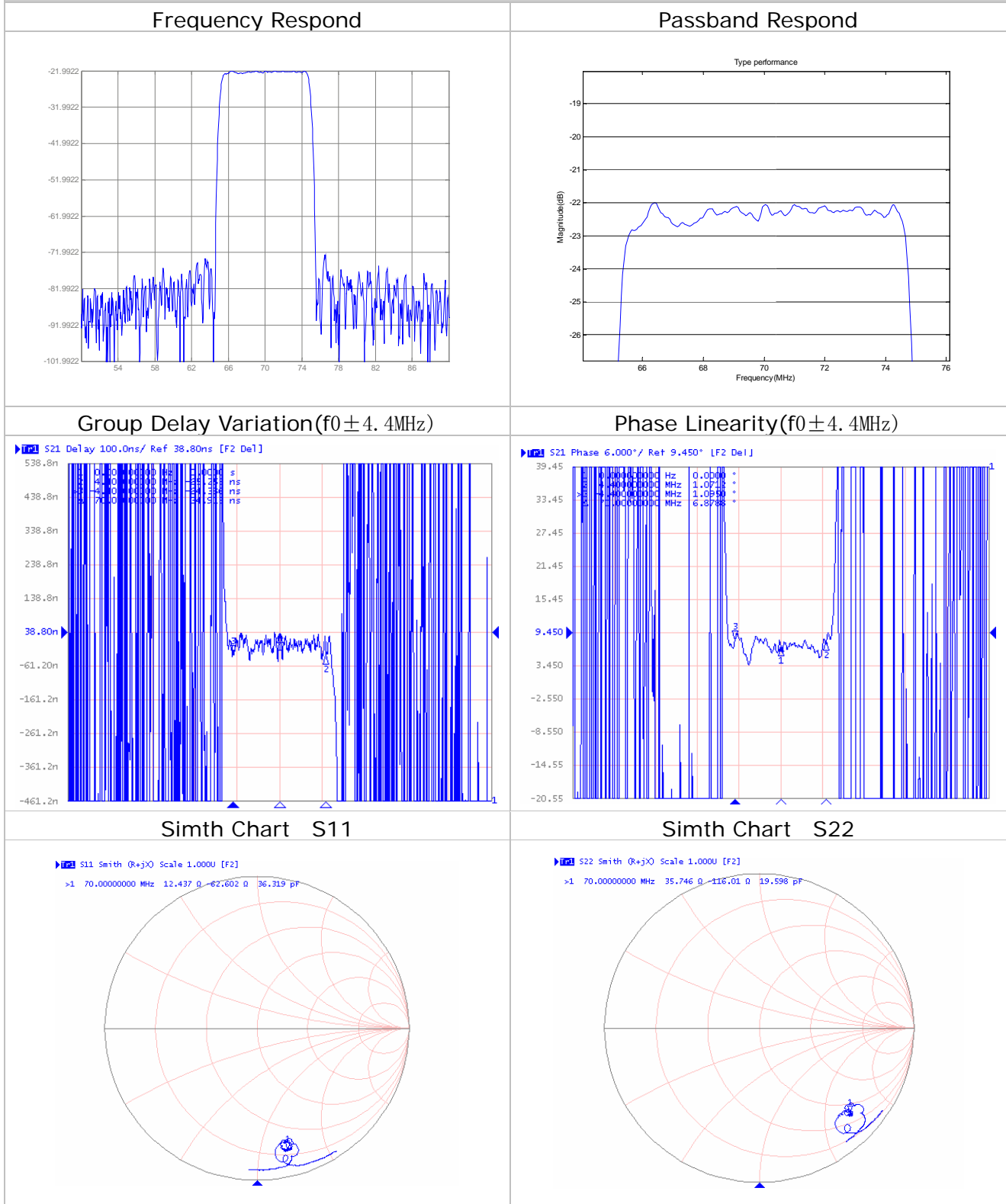
Package Dimension



**SIPAT Co., Ltd.**  
( CETC No. 26 Research Institute )  
Nanping Huayuan Road No. 14  
Chongqing, China, 400060

Part Number	LBN07093	
Rev. Date	2005-4-14	
Rev.	1.0	Page 2/3

*Typical Performance*



	<p><b>SIPAT Co., Ltd.</b> ( CETC No. 26 Research Institute ) Nanning Huayuan Road No. 14 Chongqing, China, 400060</p>	Part Number	LBN07093	
		Rev. Date	2005-4-14	
		Rev.	1.0	Page