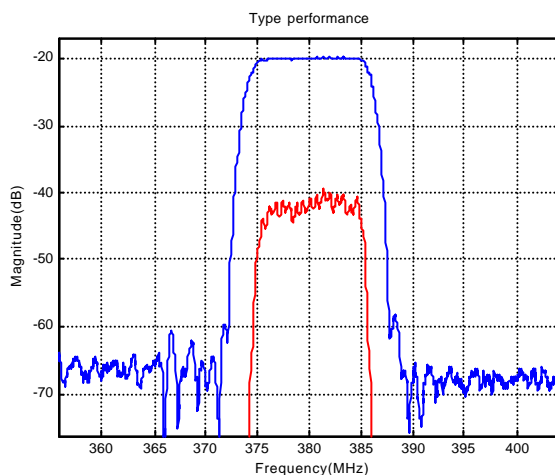




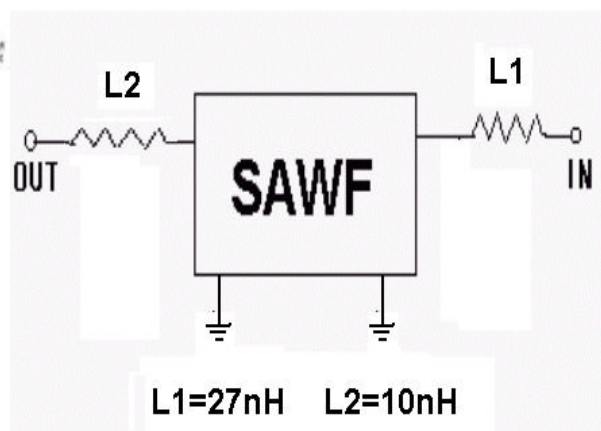
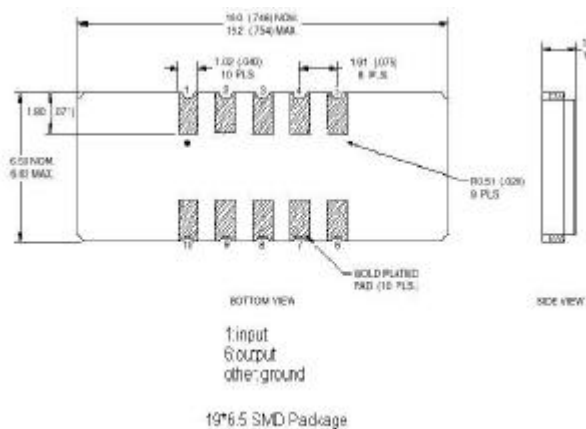
LBT38002 SAW Filter Electrical Characteristic

www.datasheet4u.com

Parameter	Unit	Minimum	Typical	Maximum
Center Frequency	MHz	379.8	380	380.2
Insertion Loss	dB		19.0	20
3dB Bandwidth	MHz	10.50	11.5	
40dB Bandwidth	MHz		15.53	16.00
Passband Variation	dB		0.7	1.0
Ultimate Rejection	dB	40	42	
Absolute Delay	usec	-	-	-
Substrate Material		112-LiTaO ₃		
Ambient Temperature	C	25		
Package Size		SMP-75		



LBT38002 SAW Filter Typical Performance



Package