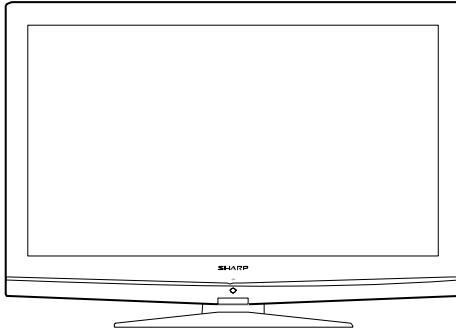


**SHARP****SERVICE MANUAL**

No.



LCD COLOUR TELEVISION

**LC-19S7E-BK****LC-26S7E-BK****MODELS LC-32S7E-BK**

In the interests of user-safety (Required by safety regulations in some countries) the set should be restored to its original condition and only parts identical to those specified should be used.

**CONTENTS****SAFETY PRECAUTION**

IMPORTANT SERVICE SAFETY PRE-CAUTION .....	2
Precautions for using lead-free solder .....	3

**CHAPTER 1. OPERATION MANUAL**

[1] SPECIFICATIONS .....	4
[2] OPERATION MANUAL .....	5
[3] DIMENSIONS .....	10

**CHAPTER 2. REMOVING OF MAJOR PARTS**

[1] REMOVING OF MAJOR PARTS .....	12
-----------------------------------	----

**CHAPTER 3. ADJUSTMENT PROCEDURE**

[1] ADJUSTMENT PROCEDURE .....	20
[2] SERVICE MODE .....	26
[3] SOFTWARE UPGRADE PROCEDURE.....	27

**CHAPTER 4. TROUBLESHOOTING TABLE**

[1] TROUBLESHOOTING TABLE.....	28
--------------------------------	----

**CHAPTER 5. MAJOR IC INFORMATIONS**

[1] MAJOR IC INFORMATIONS.....	46
--------------------------------	----

**CHAPTER 6. BLOCK DIAGRAM/WIRING DIAGRAM**

[1] BLOCK DIAGRAM .....	61
-------------------------	----

[2] POWER MANAGEMENT BLOCK DIAGRAM .....	63
[4] WIRING DIAGRAM .....	65

**CHAPTER 7. PRINTED WIRING BOARD**


[1] MAIN UNIT PRINTED WIRING BOARD .....	68
[2] POWER UNIT PRINTED WIRING BOARD .....	72
[3] KEY UNIT PRINTED WIRING BOARD .....	76
[4] IR UNIT PRINTED WIRING BOARD .....	78

**CHAPTER 8. SCHEMATIC DIAGRAM**

[1] MAIN SCHEMATIC DIAGRAM .....	80
[2] POWER SCHEMATIC DIAGRAM .....	113
[3] KEY SCHEMATIC DIAGRAM .....	116
[4] IR SCHEMATIC DIAGRAM .....	118

**CHAPTER 9. Parts Guide**

[1] SPARE PARTS LIST.....	120
[2] CABINET PARTS .....	186
[3] SUPPLIED ACCESSORIES.....	190
[4] PACKING PARTS.....	191

Parts marked with  are important for maintaining the safety of the set. Be sure to replace these parts with specified ones for maintaining the safety and performance of the set.

**SHARP CORPORATION**

This document has been published to be used for after sales service only.

The contents are subject to change without notice.

# SAFETY PRECAUTION

## IMPORTANT SERVICE SAFETY PRECAUTION

Service work should be performed only by qualified service technicians who are thoroughly familiar with all safety checks and the servicing guidelines which follow:

### WARNING

1. For continued safety, no modification of any circuit should be attempted.
2. Disconnect AC power before servicing.

**CAUTION:**

FOR CONTINUED PROTECTION AGAINST A RISK OF FIRE REPLACE ONLY WITH SAME TYPE FUSE.

19"	F901 (T3.15AH/250V)
26"/32"	F901 (T4AH/250V)

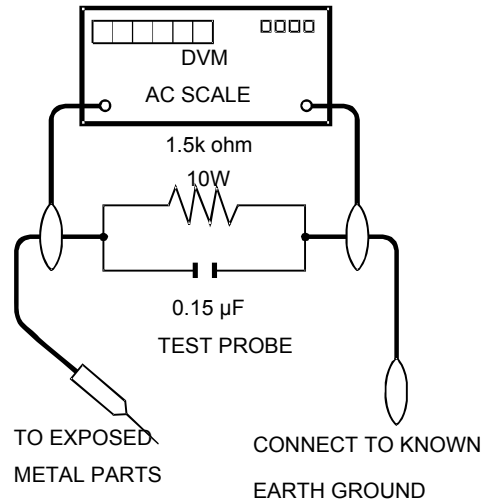
### BEFORE RETURNING THE RECEIVER (Fire & Shock Hazard)

Before returning the receiver to the user, perform the following safety checks:

3. Inspect all lead dress to make certain that leads are not pinched, and check that hardware is not lodged between the chassis and other metal parts in the receiver.
4. Inspect all protective devices such as non-metallic control knobs, insulation materials, cabinet backs, adjustment and compartment covers or shields, isolation resistor-capacitor networks, mechanical insulators, etc.
5. To be sure that no shock hazard exists, check for leakage current in the following manner.
  - Plug the AC cord directly into a 220~240 volt AC outlet.
  - Using two clip leads, connect a 1.5k ohm, 10 watt resistor paralleled by a 0.15µF capacitor in series with all exposed metal cabinet parts and a known earth ground, such as electrical conduit or electrical ground connected to an earth ground.

- Use an AC voltmeter having with 5000 ohm per volt, or higher, sensitivity or measure the AC voltage drop across the resistor.
- Connect the resistor connection to all exposed metal parts having a return to the chassis (antenna, metal cabinet, screw heads, knobs and control shafts, escutcheon, etc.) and measure the AC voltage drop across the resistor.

All checks must be repeated with the AC cord plug connection reversed. (If necessary, a nonpolarized adaptor plug must be used only for the purpose of completing these checks.) Any reading of 1.05 V peak (this corresponds to 0.7 mA peak AC.) or more is excessive and indicates a potential shock hazard which must be corrected before returning the monitor to the owner.



### SAFETY NOTICE

Many electrical and mechanical parts in LCD color television have special safety-related characteristics. These characteristics are often not evident from visual inspection, nor can protection afforded by them be necessarily increased by using replacement components rated for higher voltage, wattage, etc. Replacement parts which have these special safety characteristics are identified in this manual; electrical components having such features are identified by "⚠" and shaded areas in the Replacement Parts List and Schematic Diagrams.

For continued protection, replacement parts must be identical to those used in the original circuit.

The use of a substitute replacement parts which do not have the same safety characteristics as the factory recommended replacement parts shown in this service manual, may create shock, fire or other hazards.



## Precautions for using lead-free solder

### Using lead-free wire solder

- When fixing the PWB soldered with the lead-free solder, apply lead-free wire solder. Repairing with conventional lead wire solder may cause damage or accident due to cracks.

As the melting point of lead-free solder (Sn-Ag-Cu) is higher than the lead wire solder by 40 °C, we recommend you to use a dedicated soldering bit, if you are not familiar with how to obtain lead-free wire solder or soldering bit, contact our service station or service branch in your area.

### Soldering

- As the melting point of lead-free solder (Sn-Ag-Cu) is about 220 °C which is higher than the conventional lead solder by 40 °C, and as it has poor solder wettability, you may be apt to keep the soldering bit in contact with the PWB for extended period of time. However, Since the land may be peeled off or the maximum heat-resistance temperature of parts may be exceeded, remove the bit from the PWB as soon as you confirm the steady soldering condition.

Lead-free solder contains more tin, and the end of the soldering bit may be easily corroded. Make sure to turn on and off the power of the bit as required.

If a different type of solder stays on the tip of the soldering bit, it is alloyed with lead-free solder. Clean the bit after every use of it.

When the tip of the soldering bit is blackened during use, file it with steel wool or fine sandpaper.

- Be careful when replacing parts with polarity indication on the PWB silk.

# CHAPTER 1. OPERATION MANUAL

## [1] SPECIFICATIONS

### Specification

Item		19" LCD COLOUR TV Model: LC-19S7E	26" LCD COLOUR TV Model: LC-26S7E	32" LCD COLOUR TV Model: LC-32S7E
LCD screen size		19"diagonal	26"diagonal	32"diagonal
Number of dots		3,147,264 dots(1366x768x3 dots)		
Video Colour System		PAL/SECAM/NTSC 3.58/NTSC 4.43/PAL 60		
TV Function	TV-Standard	Analogue CCIR (B/G, I, D/K, L/L' )		
	Receiving Channel	VHF/UHF	ATV : IRA-E69	
		CATV	S-band, S1 - S41ch	
	TV-Tuning System	Auto Preset 999 ch, Auto Label, Auto Sort		
	STEREO/BILINGUAL	STEREO/BILINGUAL		
Backlight life		60,000 hours (at Backlight Standard position)		
Viewing angles		H : 176° V : 176°		
Audio amplifier		3Wx2	5Wx2	
Speaker		(128.8 mmx40.2 mm)x2	(164.5 mm x 42 mm) x 2	
Rear	Antenna	UHF/VHF 75		
	SCART, SCART 1	SCART (AV input, RGB input, TV output-analogue only)		
	SCART 2	SCART (AV input, monitor output (analogue source - RF, SCART 1, SIDE AV)		
	PC IN	VGA pin (AV input), Ø 3.5mm jack (Audio input)		
	Component	Y/Pb(Cb)/Pr(Cr), RCA pin (L/R)		
	AV OUT	RCA pin (AV output) , RCA pin (L/R)		
	HDMI / HDMI 1			
	HDMI 2	For 26" and larger		
	AV IN	RCA pin (AV input) , RCA pin (L/R)		
Side	Headphones	Ø 3.5mm jack (Audio output)		
	Service	Service socket		
OSD language		Bulgarian, Croatian, Czech, Danish, Dutch, English, Estonian, Finnish, French, German, Greek, Hungarian, Latvian, Lithuanian, Italian, Norwegian, Polish, Portuguese, Romanian, Russian, Serbian, Slovak, Slovene, Spanish, Swedish, Turkish, Ukrainian		
Power Requirement		AC 220 - 240 V, 50 Hz		
Power Consumption		45W (Standby<0.3W) (Method IEC60107)	55W (Standby<0.3W) (Method IEC60107)	65W (Standby<0.3W) (Method IEC60107)
Weight		3.8 kg (Without stand), 4.0 kg (With stand)	7.3 kg (Without stand), 8.4 kg (With stand)	11.0 kg (Without stand), 12.4 kg (With stand)
Operating temperature		0° C to 40° C		

- As a part of policy of continuous improvement, SHARP reserves the right to make design and specification changes for product improvement without prior notice. The performance specification figures indicated are nominal values of production units. There may be some deviations from these values in individual units.

**[2] OPERATION MANUAL****Remote control unit****EU/AP**

**POWER:** Press to turn on/off the TV from or to standby mode.

**VIDEO:** Press to select Component / Side AV / HDMI1 /HDMI2 /HDMI3 input

**SCART:** Press to select SCART1 / SCART2 input

**PC:** Press to select PC input

**TV:** Press to select TV input

**Number Key:** 1. Press number button to direct access to TV channel

2. Press the pass code to activate the factory mode

3. Press to activate the Channel Lock (enter PIN code for Channel lock)

4. If channel list OSD active – jump to that channel in the channel list (not tune the channel until OK is pressed)

**EPG:** Press this key to display electronic program guide screen in DTV mode.

**PRE PR:** Press to alternate between the currently viewed channel and previously viewed channel (It should return to previous view if it comes from different signal source)

**SOURCE:** 1. Press repeatedly to select the signal source:

2. The Source List should be activated and show on OSD.

3. 1st press displays current, subsequent presses advance

**ASPECT:** Press to toggle among screen format Automatic/ Panoramic / 4:3 / Movie expand 14:9 / Movie expand 16:9 / 16:9 subtitle / wide screen

**DUAL:** Press to select mono / stereo / DUAL ATV channel. Select Audio language for DTV channel.

**SLEEP:** Press to show the sleep-timer slider in the right side of screen. 1st press displays current, subsequent presses advance (Loops) (5-180 minutes.)

**PICTURE:** Press to set the LCD TV to a predefined picture setting. User / Cinema / Sport / Vivid / Hi-Bright

**PR List:** Press to display a list of channels and input sources.

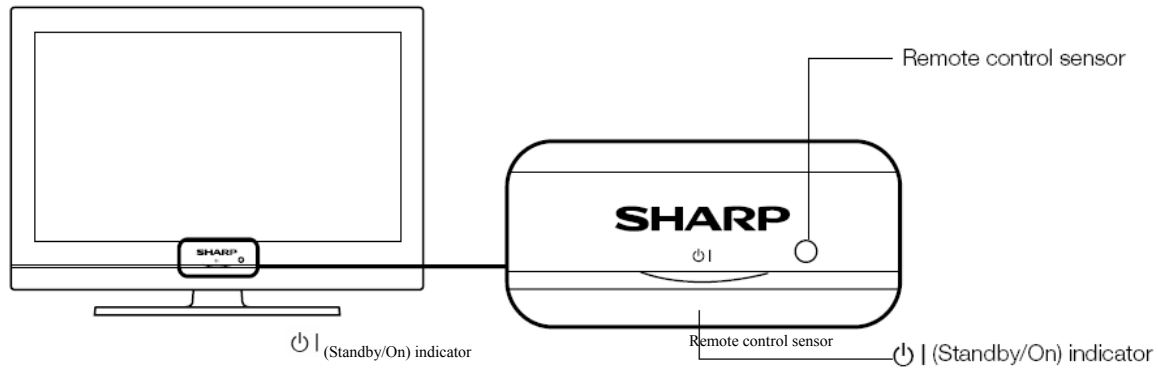
**SOUND:** Press to set the LCD TV to a predefined sound setting. Off / Rock / Pop / Live / Dance / Techno / Classic / Soft

**VOL +/-:** Press to adjust the volume

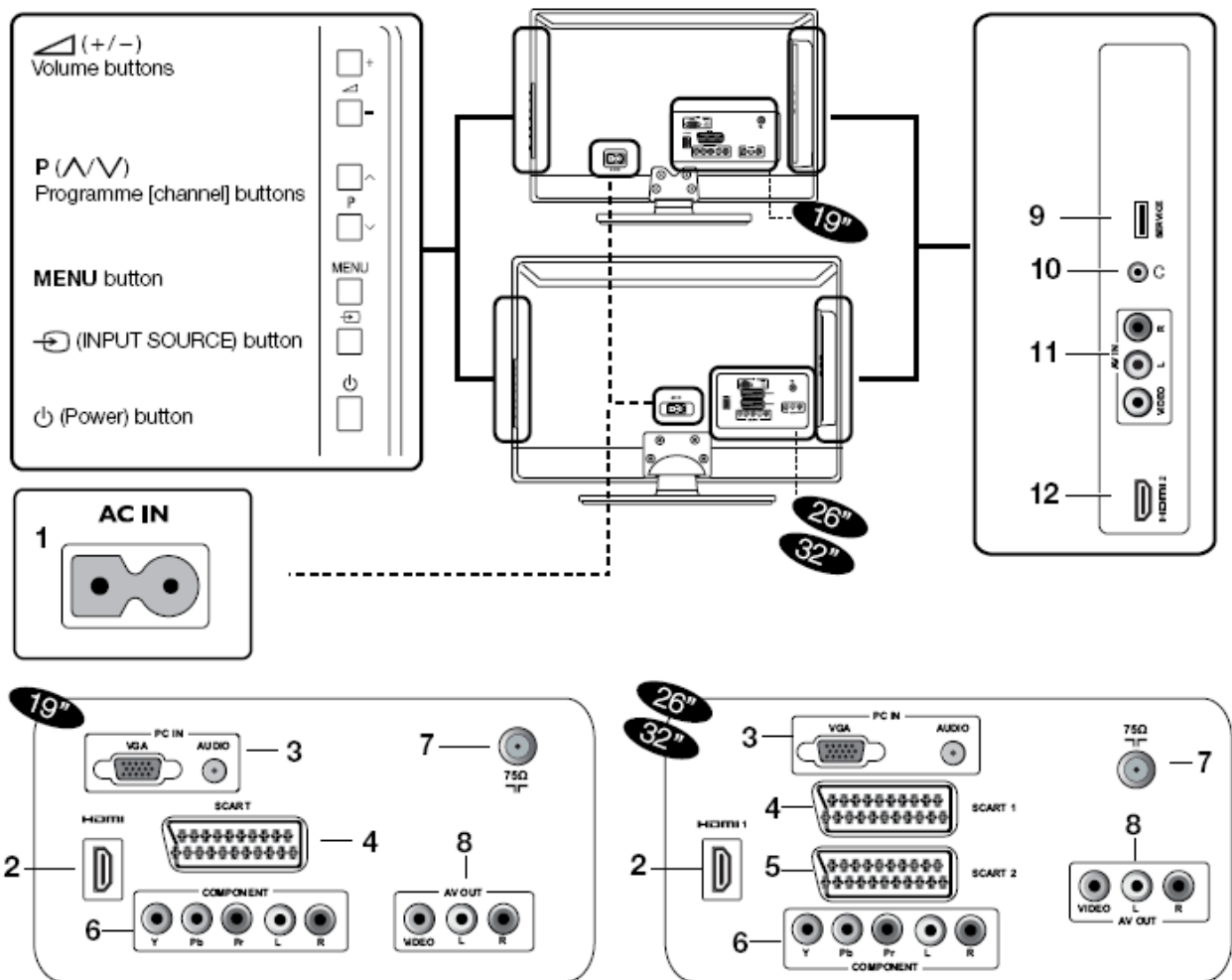
**MUTE:** Press to toggle audio on and off. You can also press +/- VOL to restore the previous volume level.

**DISPLAY:** Press to display information about the selected TV channel (Channel banner)

**TV (Front view)**



**TV (Rear view)**

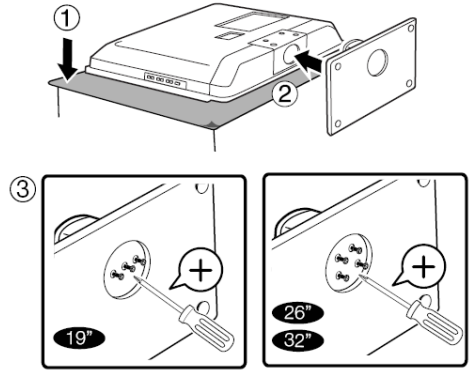


- |                              |                                  |
|------------------------------|----------------------------------|
| 1 Power connector            | 2 HDMI /HDMI 1                   |
| 3 PC IN (VGA/AUDIO)          | 4 SCART, SCART                   |
| 5 SCART 2 (CVBS)             | 6 Component (Video)              |
| 7 Tuner Input                | 8 AV VIDEO and L/R Audio Output  |
| 9 SERVICE socket             | 10 Earphone Output               |
| 11 Composite ( AV IN, AV/LR) | 12 HDMI 2 (For 26" and 32" only) |

## Preparation

### Mount the TV Stand

1. Put the TV face down on a safe surface that is covered by a soft and smooth cloth.
2. Adjust the TV stand to the base column of the TV.
3. Fasten screws by using a cross-head Screwdriver(Not supplied).



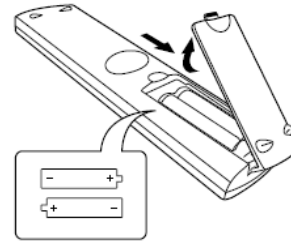
### Wall mounting

1. Put the TV face down on a safe surface that is covered by a soft and smooth cloth.
2. Unscrew the 4 bolts that fasten the base column to the TV by using a cross-head screwdriver. (not supplied)
3. Detach the stand from the bottom of the TV.

TV screen size (Inches)	VESA-compatible wall bracket (millimeters) (W x H)	Screw type
19"	100 x 100 mm	Metric 4 x 10 mm
26"	200 x 100 mm	Metric 4 x 10 mm
32"	200 x 200 mm	Metric 6 x 10 mm

## preparation

1. insert two AAA batteries into Remote control.  
Make sure (+) and (-) are facing the proper direction.
2. Replace the cover.



### NOTE

- If the remote control will not to be used for a long time, remove the batteries to avoid remote control damage.

### CAUTION

Improper use of batteries can result in chemical leakage or explosion. Be sure to follow the instructions below.

- Do not mix batteries of different types. Different types of batteries have different characteristics.
- Do not mix old and new batteries. Mixing old and new batteries can shorten the life of new batteries or cause chemical leakage in old batteries.
- Remove batteries as soon as they have worn out. Chemicals that leak from batteries can cause a rash. If you find any chemical leakage, wipe thoroughly with a cloth.
- The batteries supplied with this product may have a shorter life expectancy due to storage conditions.
- If you will not be using the remote control unit for an extended period of time, remove the batteries from it.

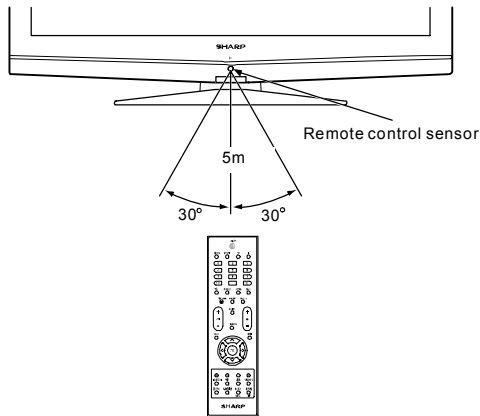
### Note on disposing batteries:

The batteries provided contain no harmful materials such as cadmium, lead or mercury.

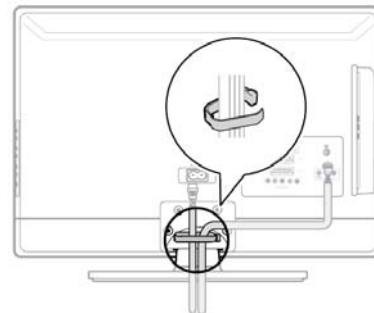
Regulations concerning used batteries stipulate that batteries may no longer be thrown out with the household Rubbish. Deposit any used batteries free of charge into the designated collection containers set up at commercial Businesses.

## Using the remote control unit

Use the remote control unit by pointing it towards the remote control sensor. Objects between the remote control unit and sensor may prevent proper operation.



## Bundling the cables





## Appendix

### troubleshooting

Problem	Possible Solution
No picture	1. Connect power cord correctly.
	2. Turn on power.
	3. Connect signal cable correctly.
	4. Press any button on the LCD TV.
Abnormal colours	Connect signal cable correctly.
Twisted picture	1. Connect signal cable correctly.
	2. Please use compatible signal.
Picture too dark	Adjust brightness and contrast.
Audio only, no images	1. Please check if input signal is connected correctly.
	2. TV-RF signal must not be lower than 50dB.
Picture only, no audio	1. Connect signal cable correctly.
	2. Adjust volume to proper level.
	3. Connect audio signal cable correctly.
	4. TV-RF signal must not be lower than 50dB.
Cannot use remote control	1. Please change battery.
	2. Turn off power for 10 seconds; and then restart power.
Cannot receive sufficient channels through antenna	Please use the Channel scan function to increase the number of channels not included in memory
No colours	Please adjust the colour setup.
Blinking picture accompanied by ghost image	1. Check the connection of antenna/signal cable.
	2. Check if channel is in play mode.
	3. Press signal source and change input mode.
Broken lines or segments	Adjust antenna.
	Keep the TV away from noise sources, such as automobiles, neon lights, and hair dryers.
Certain TV channels are blocked (Hope to acquire some channels)	Please use the Update scan method to add the channels not included in memory.
Overlapping images or ghost images	Please use multi-directional outdoor antenna. (If your TV is subject to the influence of nearby mountains or buildings).
Cannot use a function	If the item you choose turns gray, that item cannot be selected.
Cannot receive programmes	Please use the Update scan method to add the channels not included in memory.

#### Cautions regarding use in high and low temperature environments

- When the unit is used in a low temperature space (e.g. room, office), the picture may leave trails or appear slightly delayed. This is not a malfunction, and the unit will recover when the temperature returns to normal.
- Do not leave the unit in a hot or cold location. Also, do not leave the unit in a location exposed to direct sunlight or near a heater, as this may cause the cabinet to deform and the LCD panel to malfunction.
- Storage temperature: +5°C to +35°C.

### information on the software license for this product

#### Software composition

The software included in this product is comprised of various software components whose individual copyrights are held by SHARP or by third parties.

#### Software developed by SHarp and open source software

The copyrights for the software components and various relevant documents included with this product that were developed or written by SHARP are owned by SHARP and are protected by the Copyright Act, international treaties, and other relevant laws. This product also makes use of freely distributed software and software components whose copyrights are held by third parties. These include software components covered by a GNU General Public License (hereafter GPL), a GNU Lesser General Public License (hereafter LGPL) or other license Agreement.

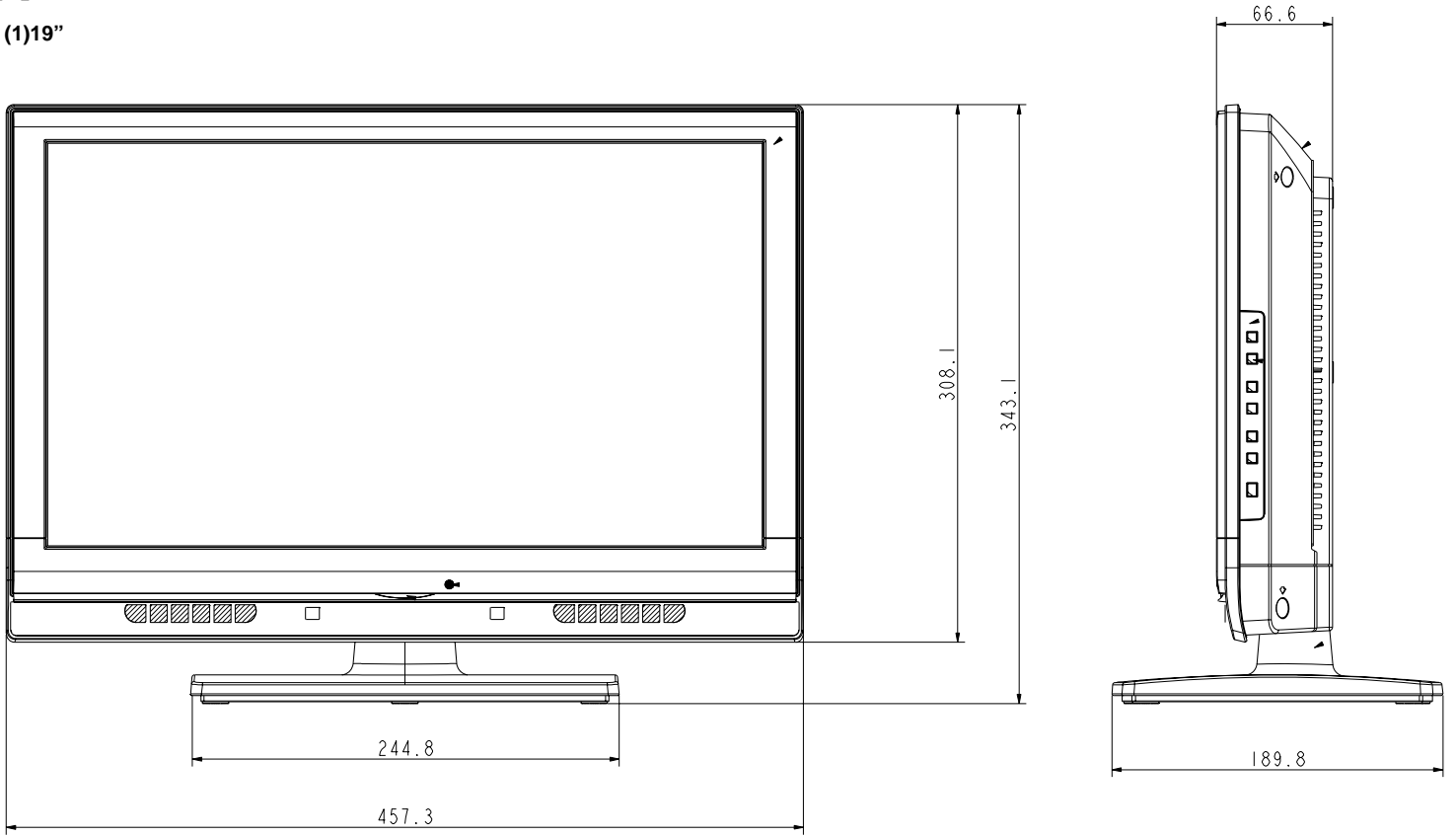
#### Acknowledgements

The following open source software components are included in this product:

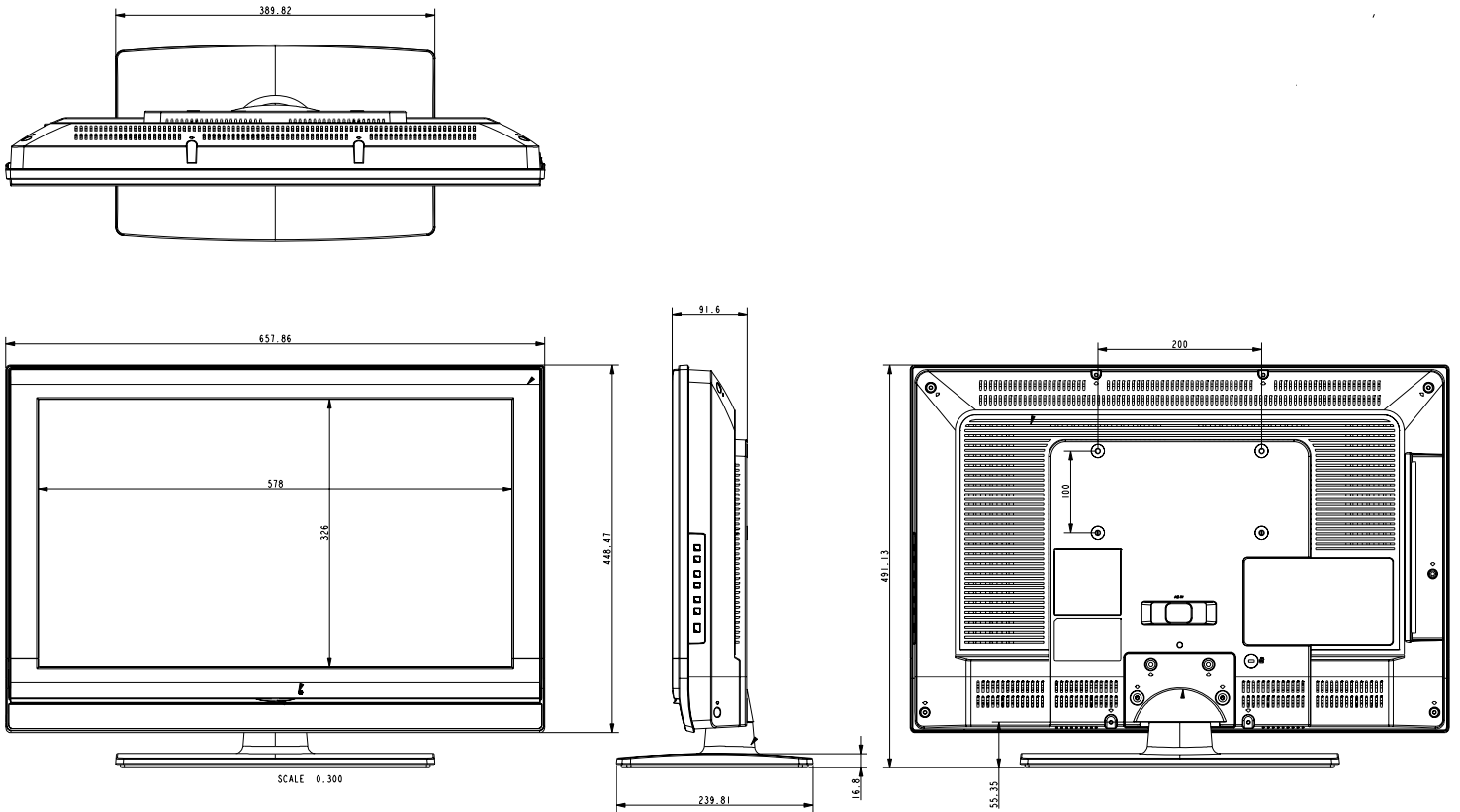
- linuxkernel•modutils•glibc•zlib•libpng

### [3] DIMENSIONS

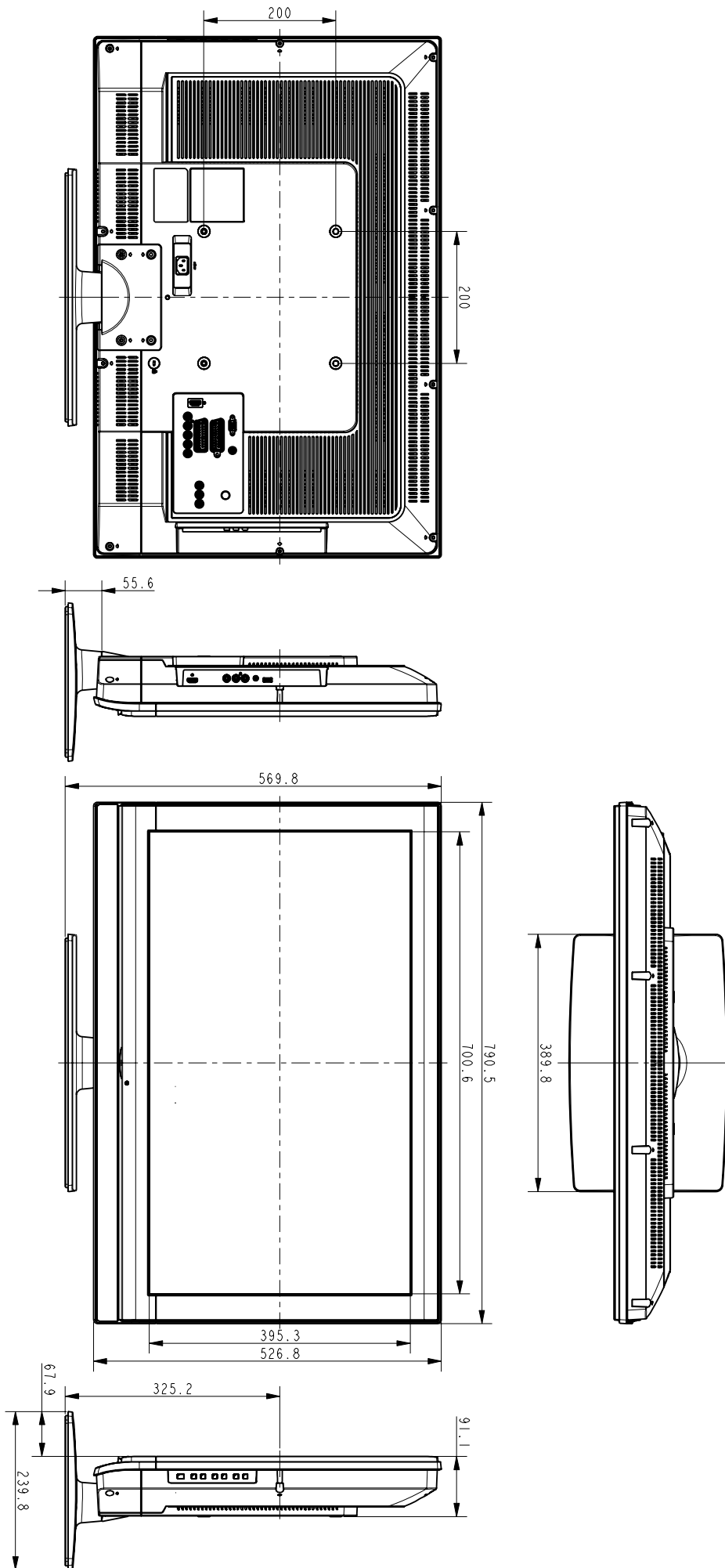
(1)19"



(2)26"



(3)32"



## CHAPTER 2. REMOVING OF MAJOR PARTS

### [2.1] REMOVING OF MAJOR PARTS(LC-19S7E-BK)

#### 1. Assy/Panel Removal

Notes: Please put your machine on soft material to avoid to scrape panel when you disassemble it.

Front view



Fig.1

Back view



Fig.2

Step 1. Remove the Base Assy.

1. Remove the base as Fig.3.

Remove the 3 screws and pull out the base plate as Fig.3



Fig.3

2. Remove the 4 screws. Detach the BASE STAND as Fig.4.



Fig.4

Step 2. Remove the REAR COVER Assy.

1. Remove the 11 screws. Detach the REAR COVER as Fig.5.



Fig.5

Step 3. Remove the Main, Power, IR, Key board,frame shielding and the Speakers.



Fig.6

1. Remove the 7 screws to move the frame shielding as Fig.7

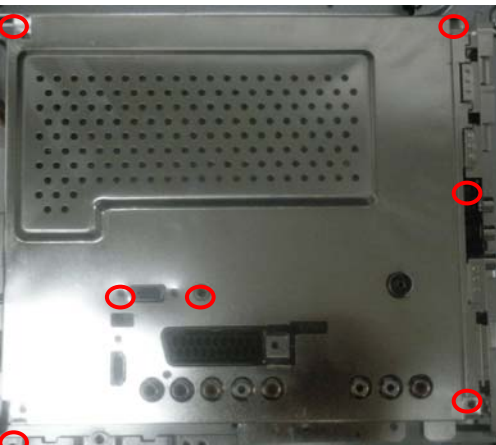


Fig.7

2. Disconnect 5 cables to move the Scaler board as Fig.8.

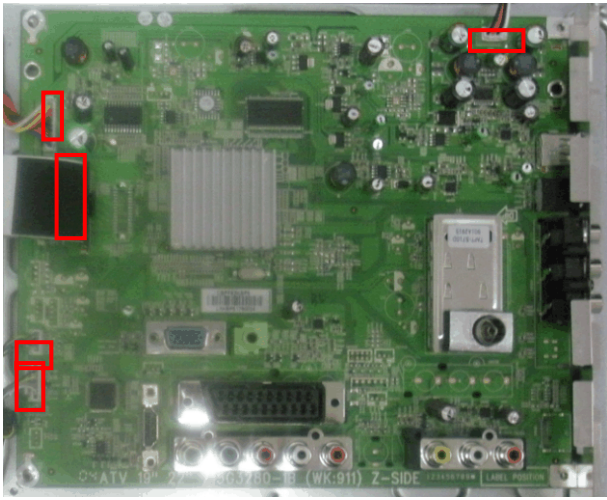


Fig.8

3. Remove the 5 screws and disconnect 5 cables. Detach the Power board as Fig.9.

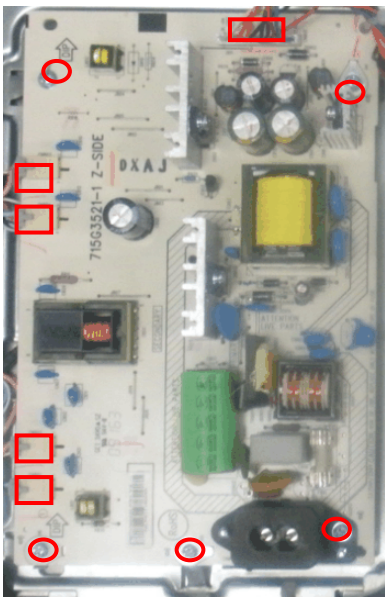


Fig.9

4. Remove the 2 screws and disconnect 1 cable. Detach the IR board as Fig.10.

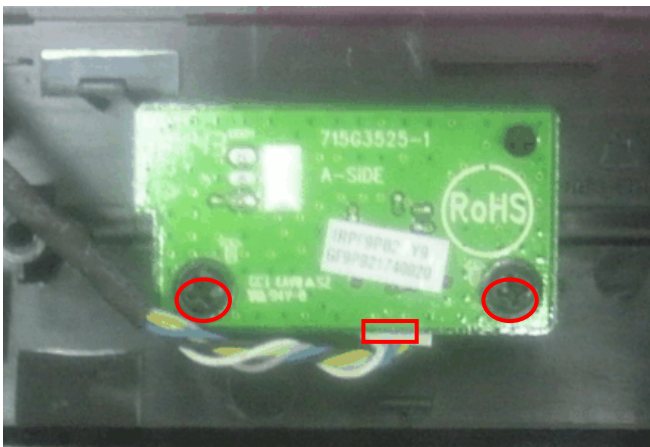


Fig.10

5. Disconnect 1 cable. Detach the Key board as Fig.11.



Fig.11

6. Remove the 4 screws .Detach the Speakers as Fig.12

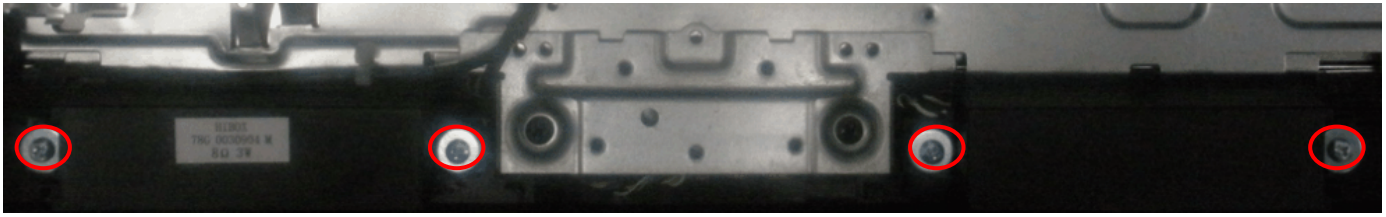


Fig.12

Step 4. Remove the Metal Frame.

Remove the 5 screws. Detach the Metal Frame as Fig.13

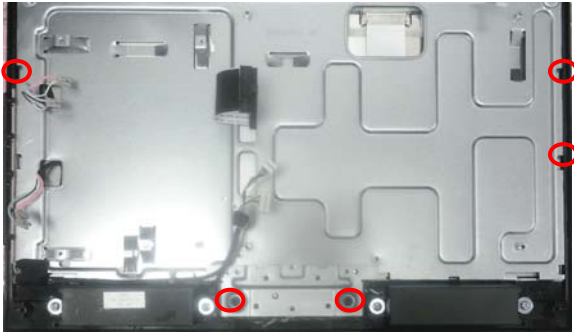


Fig.13

Step 5. Remove the Bezel Assy.

1. Remove the Bezel Assy as Fig.14



Fig.14

2. The below picture is panel as Fig.15

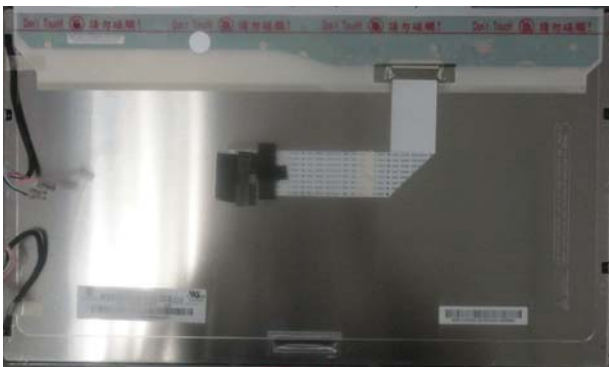


Fig.15

## REMOVING OF MAJOR PARTS(LC-26S7E-BK&LC-32S7E-BK)

### 1. Assy/Panel Removal

Notes: Please put your machine on soft material to avoid to scrape panel when you disassemble it.

Front view



Fig.1

Back view



Fig.2

Step 1. Remove the Base Assy.

1. Remove the base plate as Fig.3.

Remove the 4 screws and pull out the base plate as Fig.3



Fig.3

2. Remove the 4 screws. Detach the BASE STAND as Fig.4.



Fig.4



Step 2. Remove the REAR COVER Assy.

1. Remove the 12 screws. Detach the REAR COVER as Fig.5.



Fig.5

Step 3. Remove the Main, Power, IR, Key board, and the Speakers.



Fig.6

1. Remove the 4 screws, and disconnect 5 cables to move the Scaler Board as Fig.7

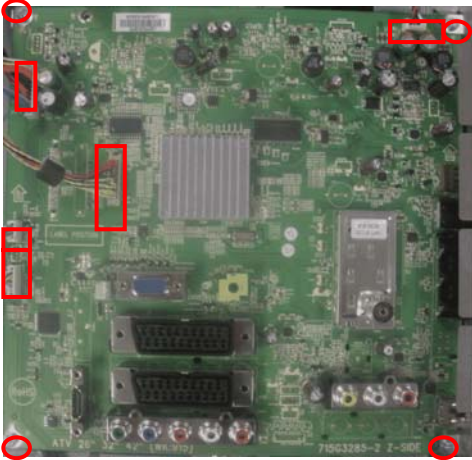


Fig.7

3. Remove the 5 screws and disconnect 2 cables. Detach the Power board as Fig.8.

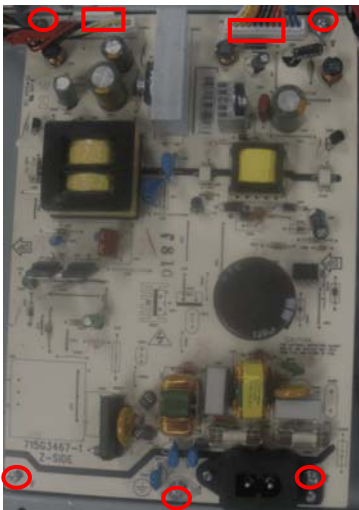


Fig.8

4. Remove the 2 screws and disconnect 1 cable. Detach the IR board as Fig.9.

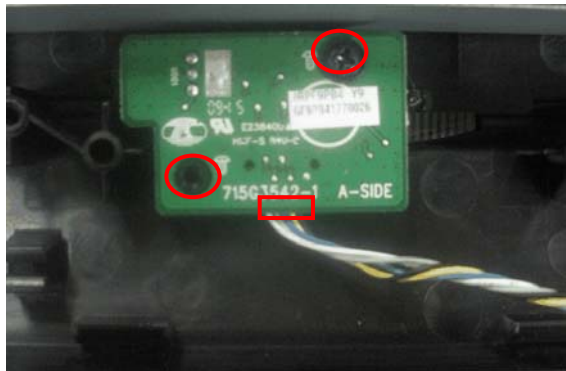


Fig.9

5. Remove the 2 screws and disconnect 1 cable. Detach the Key board as Fig.10.



Fig.10

6. Remove the 4 screws .Detach the Speakers as Fig.11



Fig.11

Step 4. Remove the Metal Frame.

Remove the 8 screws. Detach the Metal Frame as Fig.12



Fig.12

Step 5. Remove the Bezel Assy.

1. Remove the 8 screws,Detach the Bezel Assy as Fig.13

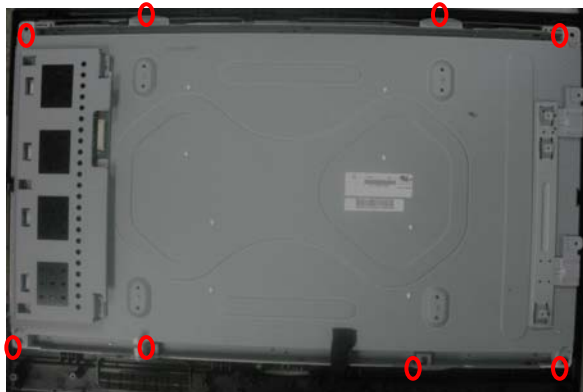


Fig.13

2. The below picture is panel as Fig.14



Fig.14

## 2. Set Re-assembly

To re-assemble the whole set, execute all processes in reverse order.

Notes:

- a. While re-assembling, make sure that all cables are placed and connected in their original position.
- b. Pay special attention not to damage the EMC foams at the SSB shielding. Check that EMC foams are put correctly on their places.

## CHAPTER 3. ADJUSTMENT PROCEDURE

### PROCEDURE

#### [1] ADJUSTMENT PROCEDURE

##### 1. OSD Menu

OSD tree - As following

Level 1	Level 2	Level 3	Level 4		remark
Picture					
	Smart Picture				Fast menu have the same item
		Personal			
		Vivid			
		Standard			
		Movie			
		Game			
		<b>Eco</b>			
	Contrast	0 to 100			
	Brightness	0 to 100			
	Color	0 to 100			
	Hue	-50 to 50			
	Sharpness	0 to 10			
	Noise Reduction				
		Off			
		Minimum			
		Medium			
		Maximum			
	Colour Temp				
		Cool			
		Normal			
		Warm			
	Adv.Picture				
		Dynamic contrast			
		Dynamic Backlight			
		MPEG artefact reduction			
		Colour enhancement			
	PC Mode				HDMI Video Timing Only
		Off			
		On			
	Picture format				
		Auto Format			EU_VD only

		Super zoom			NonPC_Non1080ip only
		4:3			
		Subtitle zoom			NonPC_Non1080ip only
		Movie exp.14:9			NonPC_Non1080ip only
		Movie exp.16:9			NonPC_Non1080ip only
		Wide screen			
		Unscaled			PC_1080ip only
	Horizontal shift	0 to 100			
	Vertical shift	0 to 100			
Sound					
	Smart sound				Fast menu have the same item
		Standard			
		News			
		Movie			
		Personal			
	Bass	-8 to +8			
	Treble	-8 to +8			
	Volume	0 to 100			
	Balance	-8 to +8			
	Dual I / II				TV(RF) Only
		Dual I			
		Dual II			
	Mono / Stereo				TV(RF) Only
		Mono			
		Stereo			
	Surround				
		Off			
		On			
	Headphone volume	0 to 100			Headphone Plugin only
	Auto volume				
		Off			
		On			
	Delta Volume	-8 to +8			
Features					
	Sleeptimer	0~180			
	Clock				
		Cancel			Time Widget
		HH			
		MM			
		Done			
	On timer				
		Activate			

			Off		
			Once		Wizard
			Daily		
		Time			
			Cancel		Time Widget
			HH		
			MM		
			Done		
		Program No.			
			MinCH~MaxCH		Wizard
	TV lock				
		Lock			need check password
		Unlock			
	Set Code				password not set only
	Change code				password set only
	Phase	0 to 100			VGA Only
	Clock	0 to 100			VGA Only
	Auto Adjust				VGA Only
		Yes			
	Reset				VGA Only, Reset H&V Shift, Phase, Clock
		Yes			
Installation					
	Menu language				
		Czech, Bulgarian, Danish, German, Greek, English, Spanish, French, Croatian, Italian, Hungarian, Dutch, Norwegian, Polish, Portuguese, Romanian, Russian, Slovak, Slovenian, Serbian, Finnish, Swedish, Turkish, Ukrainian, Estonian			
	Channel installation				
		Automatic installation			Auto store Wizard

		Analogue: Manual			
			System		Wizard
				<b>EUROPE</b>	Wizard
				<b>FRANCE</b>	
				<b>UK</b>	
				<b>WEST_EUROPE</b>	
				<b>EAST_EUROPE</b>	
				<b>PAL_BG_55MHZ</b>	
				<b>PAL_I_60MHZ</b>	
				<b>PAL_DK_65MHZ</b>	
			Search		Wizard
				<b>0~999Mhz</b>	Wizard / this is OSD value,tuner still has limitation
			Fine tune		Wizard
				<b>-1M~1M</b>	Wizard
			Store current channel		Wizard
			Store as new channel		Wizard
			<b>Skip channel</b>		Wizard
	Decoder				TV(RF) Only force channel to SCART
		Channel			
			All active channel		Wizard
		Status			
			None		
			Ext1		
			Ext2		
	Factory settings				
		Reset			
	Current Software	Show F/W version and update Data			
Installation					
	Off				
	On				

**2. Picture check**

**1) Auto Color Adjust (B)**

**For CVI (YPbPr) source**

**General set-up:**

Equipment : Quantum Data Pattern Generator 802G or 802R or 882;

Apply 576i, and the pattern TVBAR100 shown in figure 1.

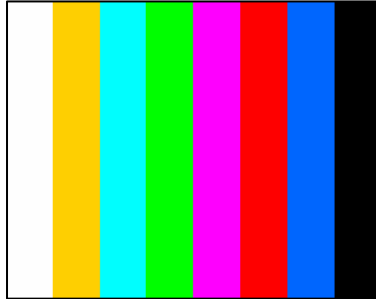


Figure 1. TVBAR100

**Alignment method:**

Initial Set-up : Set Smart picture as “Standard”

Access to factory OSD first, then to enable AUTO-COLOR to get HD ADC OFFSET and HD ADC GAIN. Check 32 Gray scales can be distinguishable

Process

- ~ Press **MENU** key
- ~ Press digit “**1999**” to enter factory mode (Fig. 2)
- ~ Press **↑, ↓** to move cursor to “AUTO COLOR ”
- ~ Press **OK** to do “ADC GAIN” and “ADC OFFSET”
- ~ “SAVE” and “EXIT”



Figure 2. OSD in factory mode

**For PC (DSUB) source**

Set Smart picture as “Standard” and apply 1024x768 @60Hz mode with 50 Black and 50 White pattern at the factory mode

Activate AUTO-COLOR function for auto ADC offset and gain setup.

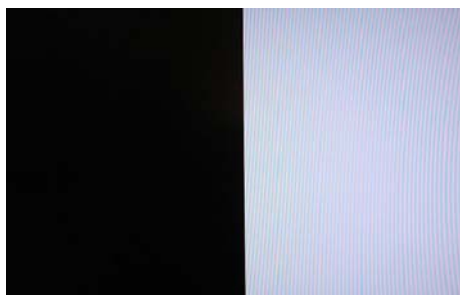


Figure 3. 50-Black 50-White



## 2) . White Balance Adjustment (B)

### General set-up:

Equipment Requirements: Color analyzer.

Input requirements:

For SZ factory:

Signal Type : RF signal

Set to PAL D/K system, frequency=184.25MHz ( for China model ) with white pattern of 80%

Set to PAL B/G system, frequency=64.25MHz ( for AP model ) with white pattern of 80%

Input Signal Strength : 10mV (80 dBuV) terminal voltage.

Input Injection Point : TV Tuner input

For FQ factory:

Signal Type : CVI (YPbPr)

Using Quantum Data Pattern Generator 802G or 802R or 882;

Set to 576i with white pattern of 80% (flat patten)

### Alignment Request in the center of the screen

Apply full white pattern, select smart setting to be **Standard**. Adjusting SCALER GAIN R G B to reach W/D and luminance in factory mode as below.

Adjust Color Temp in the factory Mode OSD by adjusting **GAIN R xxx G xxx B xxx** in factory mode (Fig. 4)

CIE1391 chromaticity (x,y) shall be

Color Temp.	x	y
Cool	$0.272 \pm 0.01$	$0.277 \pm 0.01$
Normal	$0.289 \pm 0.01$	$0.291 \pm 0.01$
Warm	$0.314 \pm 0.01$	$0.319 \pm 0.01$

~ **R/G/B Gain value** <= **127** to avoid satsuation at 32-grey pattern.

~At TV Luminance at Normal >=  $250 \text{ cd/m}^2$  when contrast and brightness and color are 100%.

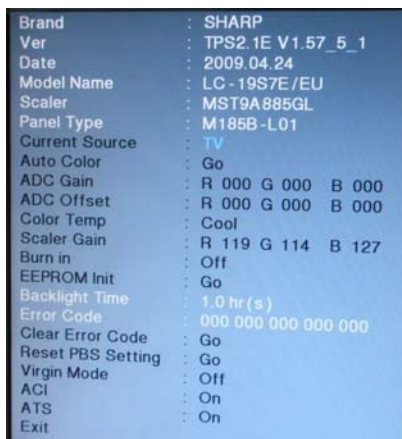
~At PC Luminance at Normal >=  $250 \text{ cd/m}^2$  when contrast and brightness are 100%.



~ These group settings about color temp are also applied automatically into


HDMI1/CVI(for SZ factory)/SIDE AV/PC/TV(for FQ factory). That means TV/HDMI/CVI/PC are used the same setting.


## [2] SERVICE MODE

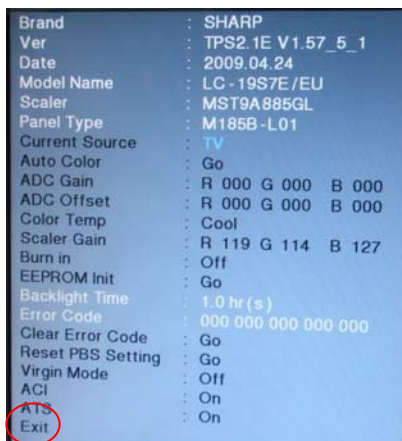
Enter factory mode menu: Press the key “1999” on remote control.



Press ,  to choose the value

Press  to fix the value.

Press  to exit the factory mode when choose “exit” value,



### [3] SOFTWARE UPGRADE PROCEDURE

Connect to TV USB port to upgrade the software firmware.

Please follow the following step to upgrade the firmware.

1. Copy the software firmware (\*.bin) to USB Disk.
2. Insert the USB Disk to TV USB port.



3. Unplug the AC cord.
4. AC power on
5. Reboot TV to update SW automatically. During upgrade FW the front LED will red light blink.
6. When FW upgrade is finished LED will stop blinking and keep at (Blue + red) color.  
After finish upgrade process.
7. Remove USB disk from TV.
8. Turn AC Off then On to reboot TV

***Check the software version is correct or not. (Menu /Installation/Current software)***

## CHAPTER 4. TROUBLESHOOTING TABLE

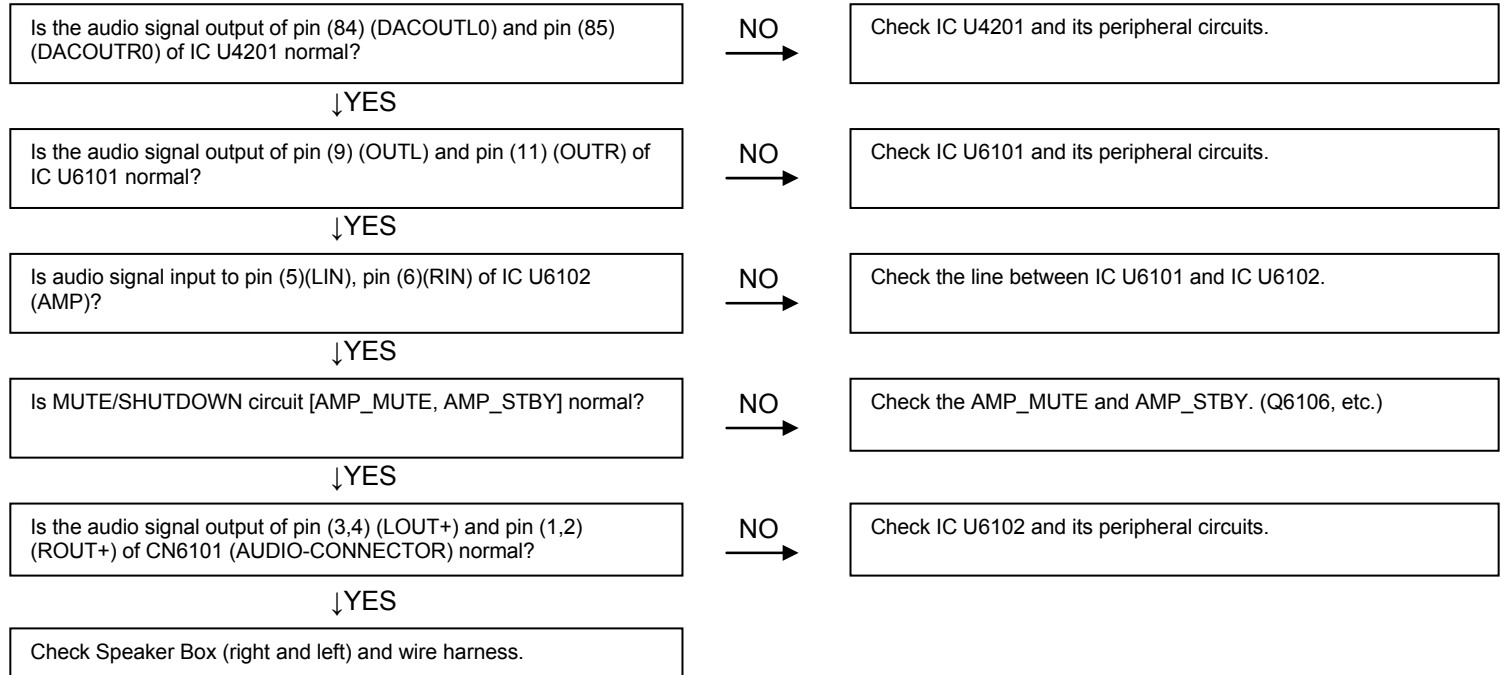
### [1] TROUBLESHOOTING TABLE ( 19” )

Power unit operation check.		
↓		
Are the power cord and harness in the unit properly connected?	NO →	Connect the power cord and harness properly, and turn on the power.
LINE_FILTER_UNIT: ↓ YES		
Is F901 normal?	NO →	LINE_FILTER_UNIT: Isn't C908, RV901, L902, C900, C901, etc. out of order? Moreover, whether the short-circuit with the circumference circuit is checked.
POWER_UNIT ↓ YES		
Is BD901 (+320V) output? * When power on/off switch is on . . . About +400V	NO →	Does the circuit operate normally? Check circuit around (FB901, Q906, ZD904, IC901 etc ).
↓ YES		
Is a voltage of +5.3V applied to pin (3,4) of connector (CN902)?	NO →	Does the switching circuit operate normally? Check circuit around the primary side (T901, ZD906, D901, D903, Q903, D904, IC901, IC902, D905 etc.), the secondary side (D905, L904, etc.), the DC_DET circuit (IC902, ZD903, IC901, ZD902, etc.), and the protection circuit.
↓ YES		
Is a voltage of +18V applied to pin (8,9) of connector (CN902)?	NO →	Does the inverter circuit operate normally? Check circuit around (Q801, ZD801, ZD802, Q805, Q806, IC801, T801, L801, L802, etc.), and the protection circuit.

**The sound is not emitted from the speaker though the picture has come out.**

No sound output in all modes?

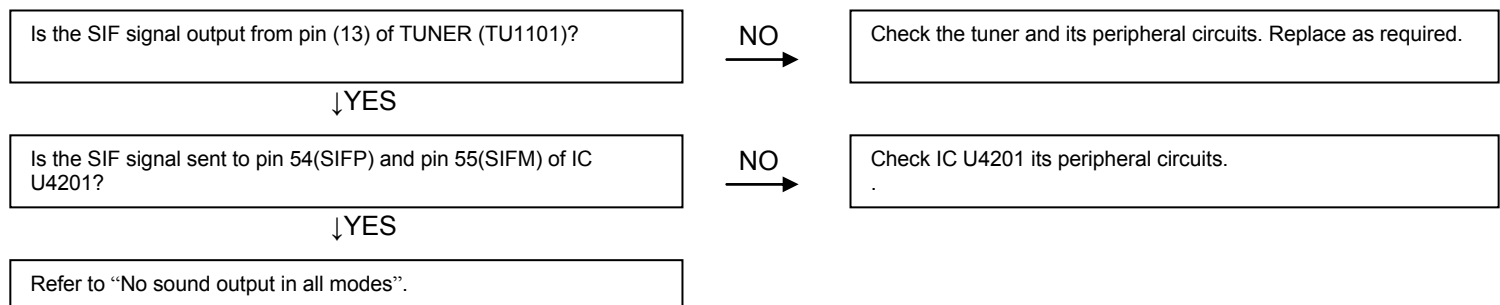
TEREMINAL UNIT:



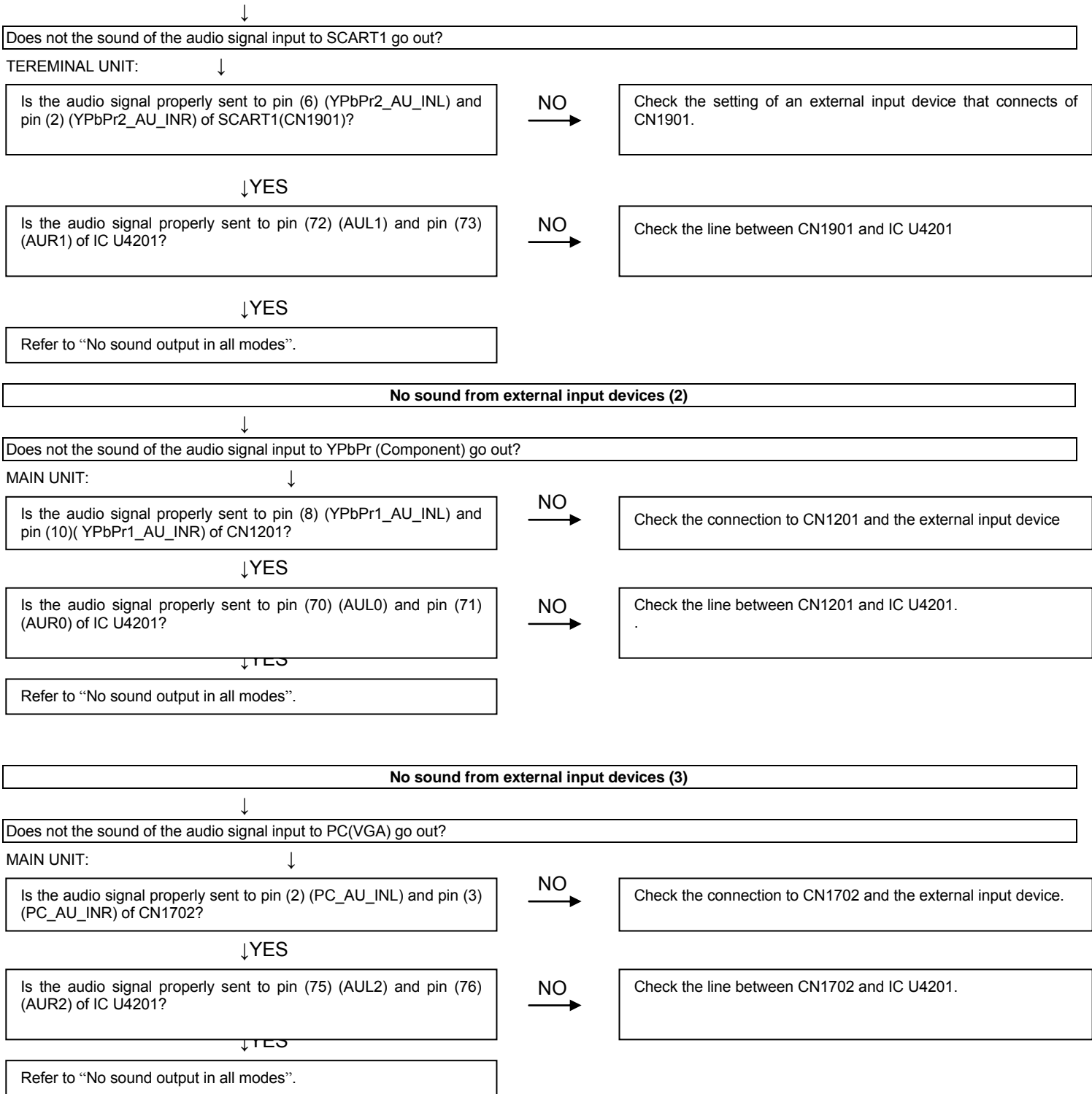
**No sound (during the reception of TV(ANALOG) broadcasting)**

Does not the sound go out though the picture has come out when UHF/VHF is received?

TEREMINAL UNIT:



**No sound from external input devices (1)**



**No sound from external input devices (4)**

Does not the sound of the audio signal input to "AV side" go out?

MAIN UNIT:

Is the audio signal properly sent to pin (4) (SIDE\_AU\_INL) and pin (6) (SIDE\_AU\_INR) of CN1207?

NO →

Check the connection to CN1207 and the external input device.

↓ YES

Is the audio signal properly sent to pin (77) (AUL3) and pin (78) (AUR3) of IC U4201?

NO →

Check the line between CN1207 and IC U4201.

↓ YES

Refer to "No sound output in all modes".

**No sound from external input devices (5)**

Does not the sound of the audio signal input to HDMI go out?

Is picture of the signal input from HDMI displayed?

NO →

Refer to "Does not the picture of the HDMI signal input to HDMI go out?".

↓ YES

Refer to "No sound output in all modes".

**The audio signal is not output (1)**

The audio signal of UHF/VHF is not output from SCART1.

TEREMINAL UNIT:

Is audio signal output from IC U1901 sent to pin (3) (SCAUD\_LOUT) and pin(1)(SCRAUD\_ROUT) of SCART1(CN1901)?

YES →

Check the connection to SCART1 and external devices.

↓ NO

Is audio signal output from IC U4201 pin(82)(SCAL) and pin(83) (SCAR) sent to pin (13)(INL) and pin (15)(INR) of IC U1901?

YES →

Check the line between IC U4201 and IC U1901

↓ NO

Check IC U4201 and its peripheral circuits.

**The audio signal is not output (2)**

No audio signal output from LINE\_AUDIO\_OUTPUT terminal.

TEREMINAL UNIT:

Is audio signal output from IC U1201 sent to pin(4)(AUD\_LOUT) and pin (6)(AUD\_ROUT) of connector(CN1205)?

YES  
→

Check the connection to CN1205 and external devices.

↓NO

Is the audio signal output from IC U4201 pin(80) (LINEOUTL) and pin(81) (LINEOUTR) sent to pin(13)(INL) and pin(15)(INR) of IC U1201?

YES  
→

Check the line between IC U4201 and IC U1201.

↓NO

Check IC U4201 and its peripheral circuits.

**The audio signal is not output (3)**

No sound from HEADPHONE\_OUTPUT terminal.

MINI AV\_UNIT:

Is the HP\_DET signal input into pin (93) of IC U4201 from pin (5) of a headphone terminal (CN1204)?

NO  
→

Check the connection to CN1204 and external headphone is plug in well.

↓YES

Is the audio signal output from IC U6103 to pin(2) (HPL) and pin (3) (HPR) of headphone terminal CN1204?

NO  
→

Check the line between IC U6103 and CN1204.

↓YES

Is the audio signal output from IC U4201 pin (84)(DACOUTL0) and pin(85) (DACOUTR0) sent to pin(15)(INR) and pin(13)(INL) of IC U6103?

NO  
→

Check the line between IC U4201 and IC U6103.

↓YES

Check IC U4201 and its peripheral circuits.



**No picture on the display (1)**

The picture doesn't appear in all modes.

MAIN UNIT:  
 Is LVDS signal output from 1st\_channel and 2nd\_channel of IC U4201 in each mode?  
 (RX00+/RX00-),( RX01+/RX01-),( RX02+/RX02-),( RX03+/RX03-),( RX0C+/RX0C-)

↓ YES  
 ↓ NO  
 Check IC U4201 and its peripheral control circuits.

Is the above-mentioned LVDS signals output to connector  
 → NO → Check the line between IC U4201 and CN7502.

Is LCD controller's control signal normal?  
 → NO → Control signals BRIGHT\_ADJ, INVERTER\_ON\_OFF, PANEL\_PWR, and it peels off and whether normality is checked.

PANEL\_UNIT: ↓ YES  
 Similarly, is the LVDS signal input to connector of the panel module?  
 → NO → FFC cable is checked.

↓ YES  
 Check the panel module.

**No picture on the display (2)**

Does not the picture come out when VHF/UHF is received?

TERMINAL UNIT:  
 Is TUNER\_CVBS signal output from pin (16) of TUNER (TU1101)?  
 → NO → Check whether I2C is normally accessed between TU201 and IC U400.

MAIN\_UNIT: ↓ YES  
 Is picture signal input from pin (16) of TUNER (TU1101) to pin 35(CVBS0) of IC U4201?  
 → NO → Check the line between IC U4201 and TU1101.

↓ YES  
 Refer to "The picture doesn't appear in all modes."

**<External input SCART1>No picture on the display (3)**

Does not the picture of the CVBS signal input to SCART1 go out?

TERMINAL UNIT:

Is CVBS signal sent to pin (20) of SCART1 (CN1901)?

NO →

Check the setting of an external input device that connects of CN1901.

MAIN\_UNIT:

↓ YES

Is CVBS signal sent to pin (31) of IC U4201?

NO →

Check the line between IC U4201 and CN1901.

↓ YES

Refer to "The picture doesn't appear in all modes."

**<External input SCART1>No picture on the display (4)**

Does not the picture of the R/G/B video signal input to SCART1 go out?

TERMINAL UNIT:

Is RGB signal sent to pin (15)/SCR, (11)/SCG, (7)/SCB, of SCART1 (CN1901)?

NO →

Check the setting of an external input device that connects of CN1901.

MAIN\_UNIT:

↓ YES

Is RGB signal sent to pin (17)/RIN0, (15)/GIN0, (13)/BIN0 of IC U4201?

NO →

Check the line between IC U4201 and CN1901.

Refer to "The picture doesn't appear in all modes."

**<External input AV3(Composite)>No picture on the display (5)**

Does not the picture of the composite video signal input to SIDE AV(Composite) go out?

TERMINAL UNIT:

Is CVBS signal sent to pin (2) of SIDE AV (CN1207) ?

NO →

Check the setting of an external input device that connects of CN1207.

MAIN\_UNIT:

↓ YES

Is CVBS signal sent to pin (33) of IC U4201?

NO →

Check the line between IC U4201 and CN1207.

↓ YES

Refer to "The picture doesn't appear in all modes."

<External input HDMI1>No picture on the display (6)

Does not the picture of the HDMI signal input to HDMI1 go out?

MINI AV\_UNIT:

Is the HOT\_PLUG detection function of pin (19) of a HDMI terminal (CN1501) normal?

NO →

Check the line between pin 50 of IC U1503 and CN1501.

↓

Check the connection and setup with the external HDMI devices.

YES ↓

Are EDID data pin (6)(SCL) of IC U1501 (EEPROM), pin (5)(SDA) accessed, and is it read from pin (15), pin (16) of a HDMI terminal(CN1501)?

NO →

Is access possible in the re-writing or exchange of EDID data of IC U1501?

↓NO

Check CN1501, IC U1501 and peripheral circuits.

YES ↓

Is TMDs signal input into pin(RX\_B2+, RX\_B2-)/D2±\_2,(RX\_B1+, RX\_B1-)/D1±\_2, (RX\_B0+, RX\_B0-)/D0±\_2, (RX\_BC+, RX\_BC-)/CLK±\_2 of IC U1503?

NO →

Check the line between IC U1503 and CN1501.

↓YES

Is TMDs signal input into pin(RX\_BC2N, RX\_BC2P)/D2±\_2,(RX\_B1N, RX\_B1P)/D1±\_2, (RX\_B0N, RX\_B0P)/D0±\_2, (RX\_BCKN, RX\_BCKP)/CLK±\_2 of IC U4201?

NO →

Check the line between IC U1503 and IC U4201.

↓YES

Refer to “The picture doesn’t appear in all modes.”

<External input VGA>No picture on the display (9)

Does not the picture of the PC IN(ANALOG) video signal input to VGA(15pin-D-SUB terminal) go out?

TERMINAL\_UNIT:

Is R/G/B/H/V signal sent to pin (1)/R, (2)/G, (3)/B, (14)/H, (13)/V of VGA (CN1401)?

NO →

Check the setting of an external input device that connects of CN1401.

MAIN\_UNIT:

↓YES

Is R/G/B/H/V signal sent to pin (11)/RIN1, (10)/GIN1, (8)/BIN1, (3)/HSYNC1, (4)/VSYNC1 of IC U4201?

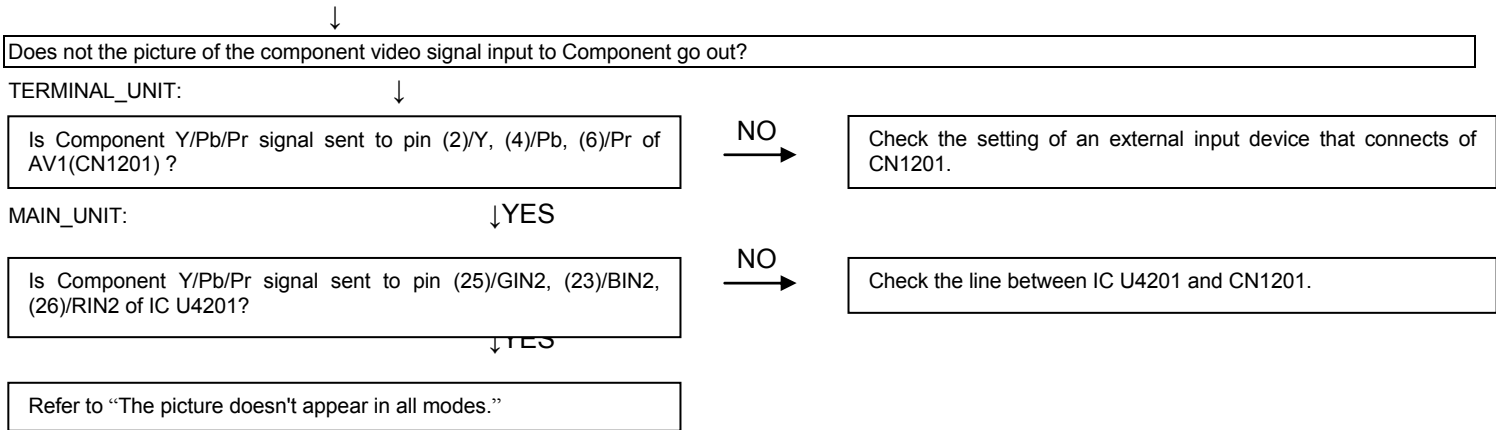
NO →

Check the line between IC U4201 and CN1401.

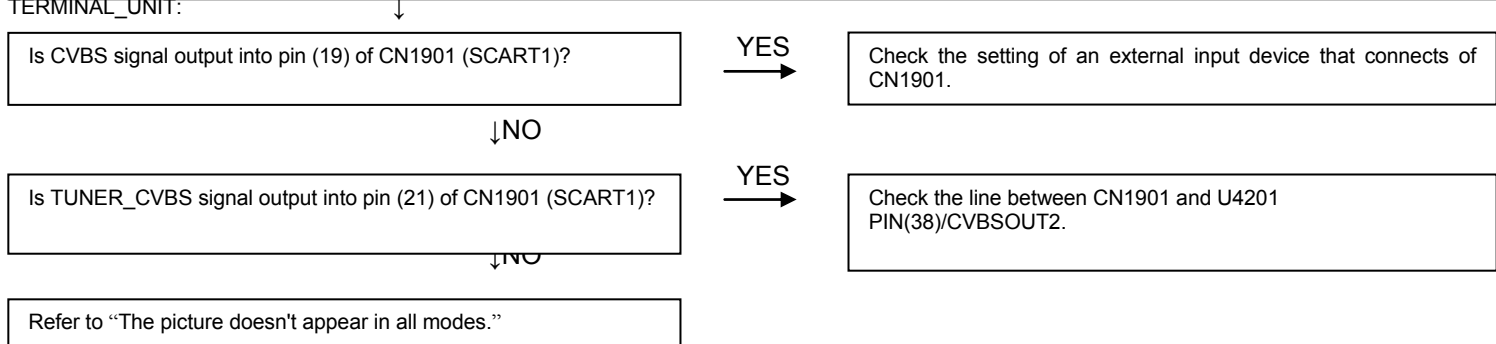
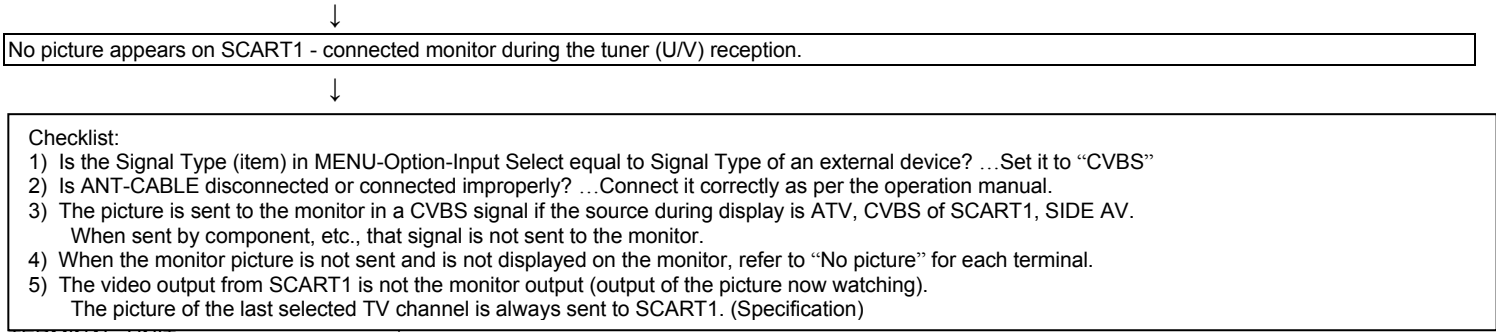
↓YES

Refer to “The picture doesn’t appear in all modes.”

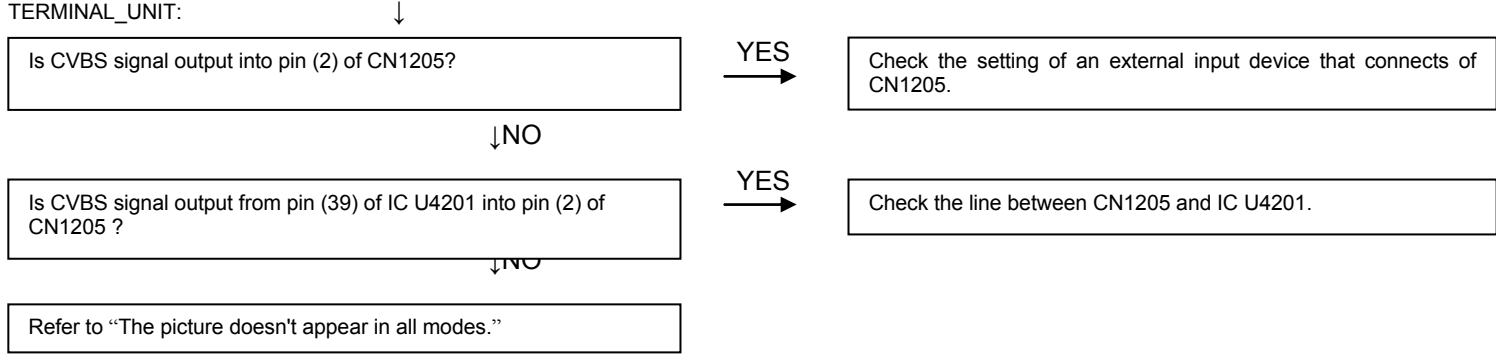
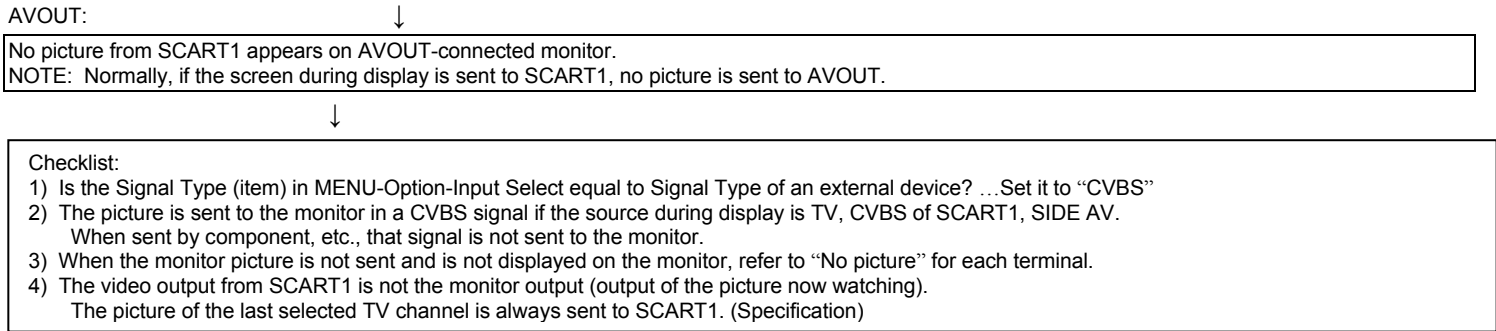
<External input AV1(Component)>No picture on the display (10)



**< During external connection > No picture on the monitor (1)**

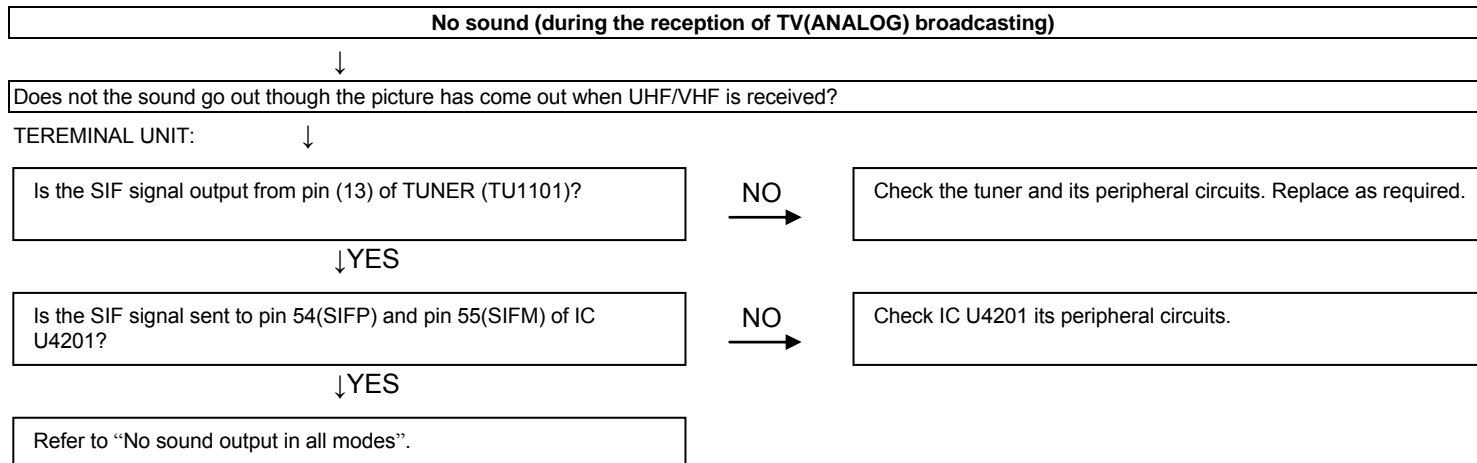
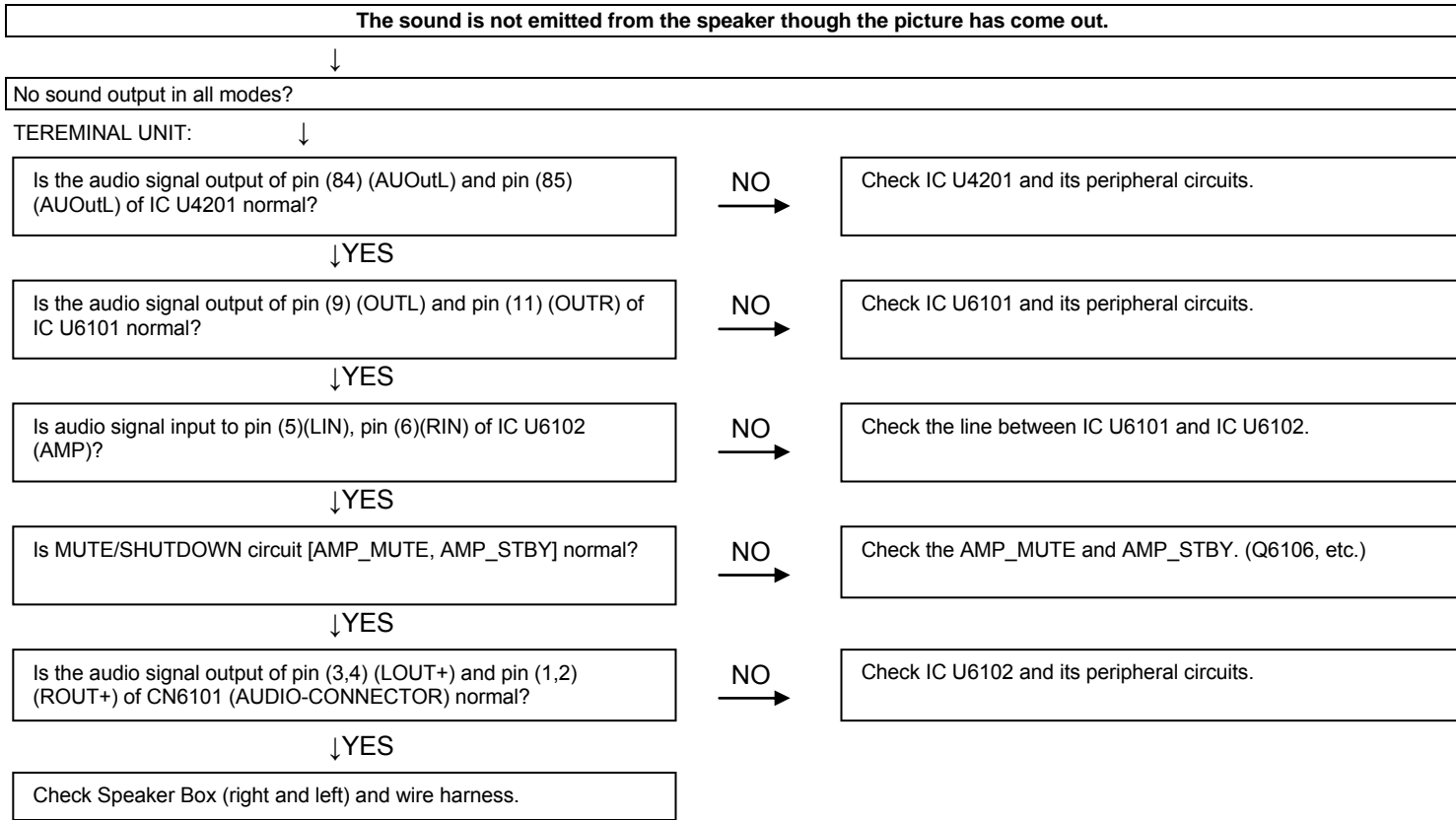


**< During external connection > No picture on the monitor (2)**



## TROUBLESHOOTING TABLE ( 26 “&32” )

Power unit operation check.		
↓		
Are the power cord and harness in the unit properly connected?	NO →	Connect the power cord and harness properly, and turn on the power.
LINE_FILTER_UNIT: ↓ YES		
Is F901/F902 normal?	NO →	LINE_FILTER_UNIT: Isn't RV901,L901,C904,L902,C903,C902,RV903, etc. out of order? Moreover, whether the short-circuit with the circumference circuit is checked.
POWER_UNIT ↓ YES		
Is BD901 (+320V) output? (Set the main power SW to OFF.) * When power on/off switch is on . . . About +400V	NO →	POWER_UNIT: BD901, FB905, C905, etc. out of order? Moreover, whether the short-circuit with the circumference circuit is checked.
↓ YES		
Is a voltage of +5V applied to pin (12,13) of connector (CN902)? (Set the main power SW to OFF.)	NO →	Does the PFC circuit operate normally? (L906, Q901, D902, D903, IC901 and etc. And, the circuit around the protection circuit etc. is checked.)
↓ YES		
Are +24V output as for the power on/off switch when it is on?	NO →	Does the switching circuit operate normally? Check circuit around the primary side (T901, IC931, Q931, ZD931, ZD930, ZD980, ZD981, etc.), the secondary side (D935, L980, etc.), the AC_DET circuit (IC932, IC982, etc.), and the protection circuit.
↓ YES		
Are +24V output as for the power on/off switch when it is on?	NO →	Does the inverter circuit operate normally? Check circuit around the primary side (T902,Q951,Q952,IC951, D951,D952, etc.), the secondary side (D955, L932, ZD967, IC952, IC953, etc.), the STANDBY circuit (Q988, etc.), and the protection circuit.
↓ YES		
Similarly, is +12V output as for the power on/off switch when it is on?	NO →	Check +12V circuit of D956, L931, etc.



**No sound from external input devices (1)**

Does not the sound of the audio signal input to SCART1 go out?  
Does not the sound of the audio signal input to SCART2 go out?

TEREMINAL UNIT:

Is the audio signal properly sent to pin (6) (YPbPr2\_AU\_INL) and pin (2) (YPbPr2\_AU\_INR) of SCART1(CN1901)?

NO →

Check the setting of an external input device that connects of CN1901.

Is the audio signal properly sent to pin (6) (SCHF\_AU\_INL) and pin (2) (SCHF\_AU\_INR) of SCART2(CN1902)?

NO →

Check the setting of an external input device that connects of CN1902.

↓ YES

Is the audio signal properly sent to pin (1) (NO) and pin (1) (NO) of IC U1702/U1701?

NO →

Check the line between CN1901 and IC U1701/U1702.

Is the audio signal properly sent to pin (3) (NC) and pin (3) (NC) of IC U1702/U1701?

NO →

Check the line between CN1902 and IC U1701/U1702.

↓ YES

Is the audio signal properly sent to pin (72) (AUL1) and pin (73) (AUR1) of IC U4201?

NO →

Check the line between IC U1701/U1702 and IC U4201.

↓ YES

Refer to “No sound output in all modes”.

**No sound from external input devices (2)**

Does not the sound of the audio signal input to YPbPr (Component) go out?

MAIN UNIT:

Is the audio signal properly sent to pin (8) (YPbPr1\_AU\_INL) and pin (10) (YPbPr1\_AU\_INR) of CN1201?

NO →

Check the connection to CN1201 and the external input device.

↓ YES

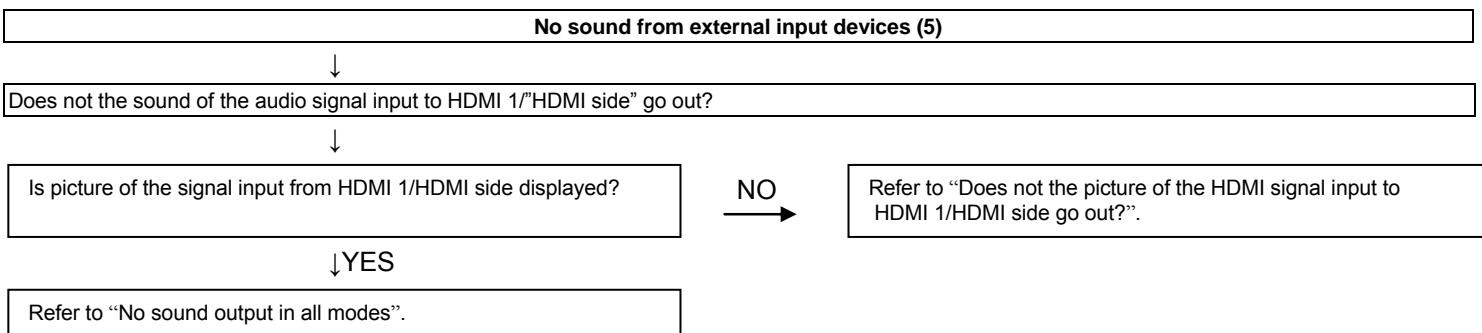
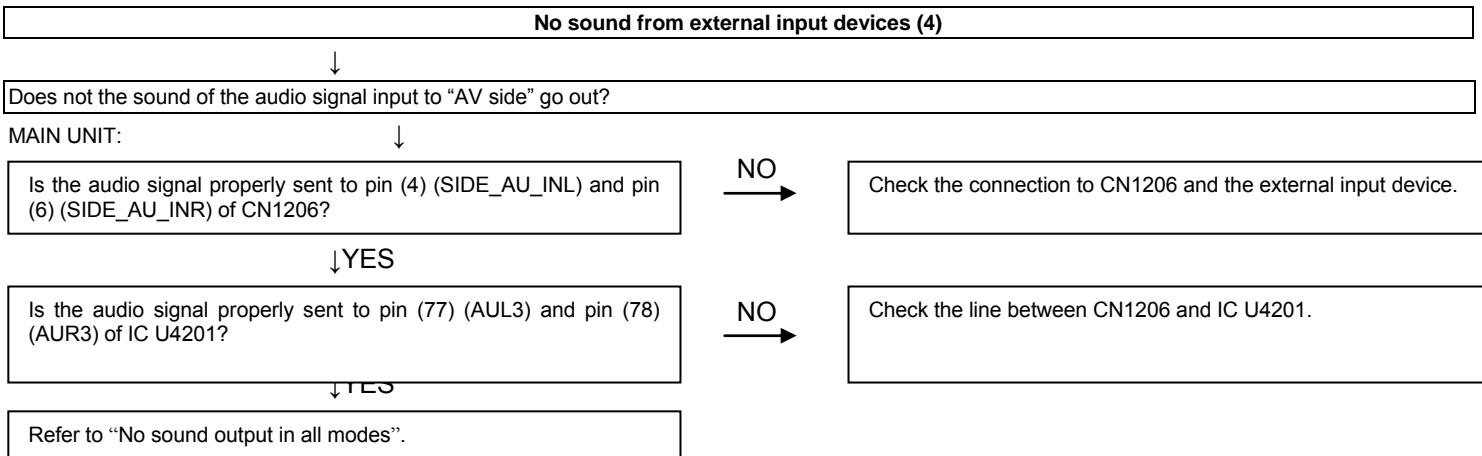
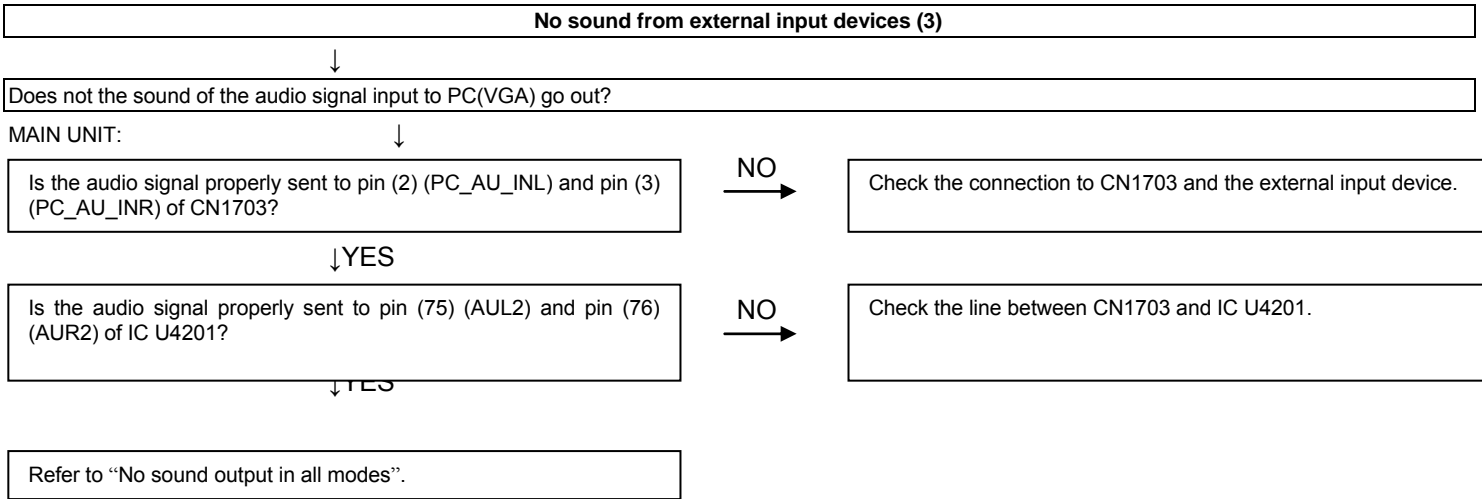
Is the audio signal properly sent to pin (70) (AUL0) and pin (71) (AUR0) of IC U4201?

NO →

Check the line between CN1201 and IC U4201.

↓ YES

Refer to “No sound output in all modes”.





**The audio signal is not output (1)**

The audio signal of UHF/VHF is not output from SCART1.

TEREMINAL UNIT:

Is audio signal output from IC U1901 sent to pin (3) (SCLAU01) and pin(1)(SCRAU01) of SCART1(CN1901)?

YES →

Check the connection to SCART1 and external devices.

↓NO

Is audio signal output from IC U4201 pin(82)(LINEOUTL1) and pin(83)(LINEOUTR1) sent to pin (13)(INL) and pin (15)(INR) of IC U1901?

YES →

Check the line between IC U4201 and IC U1901.

↓NO

Check IC U4201 and its peripheral circuits.

**The audio signal is not output (2)**

The audio signal of UHF/VHF/MONITOR is not output from SCART2.

TEREMINAL UNIT:

Is audio signal output from IC U1201 sent to pin(3)( SCLAU02) and pin(1)( SCRAU02) of SCART2(CN1902)?

YES →

Check the connection to SCART2 and external devices.

↓NO

Is the audio signal output from IC U4201 pin(80) (LINEOUTL0) and pin(81) (LINEOUTR0) sent to pin(13)(INL) and pin(15)(INR) of IC U1201?

YES →

Check the line between IC U4201 and IC U1201.

↓NO

Check IC U4201 and its peripheral circuits.

**The audio signal is not output (3)**

No audio signal output from LINE\_AUDIO\_OUTPUT terminal.

TEREMINAL UNIT:

Is audio signal output from IC U1201 sent to pin(4)(AUD\_LOUT) and pin (6)(AUD\_ROUT) of connector(CN1205)?

YES →

Check the connection to CN1205 and external devices.

↓NO

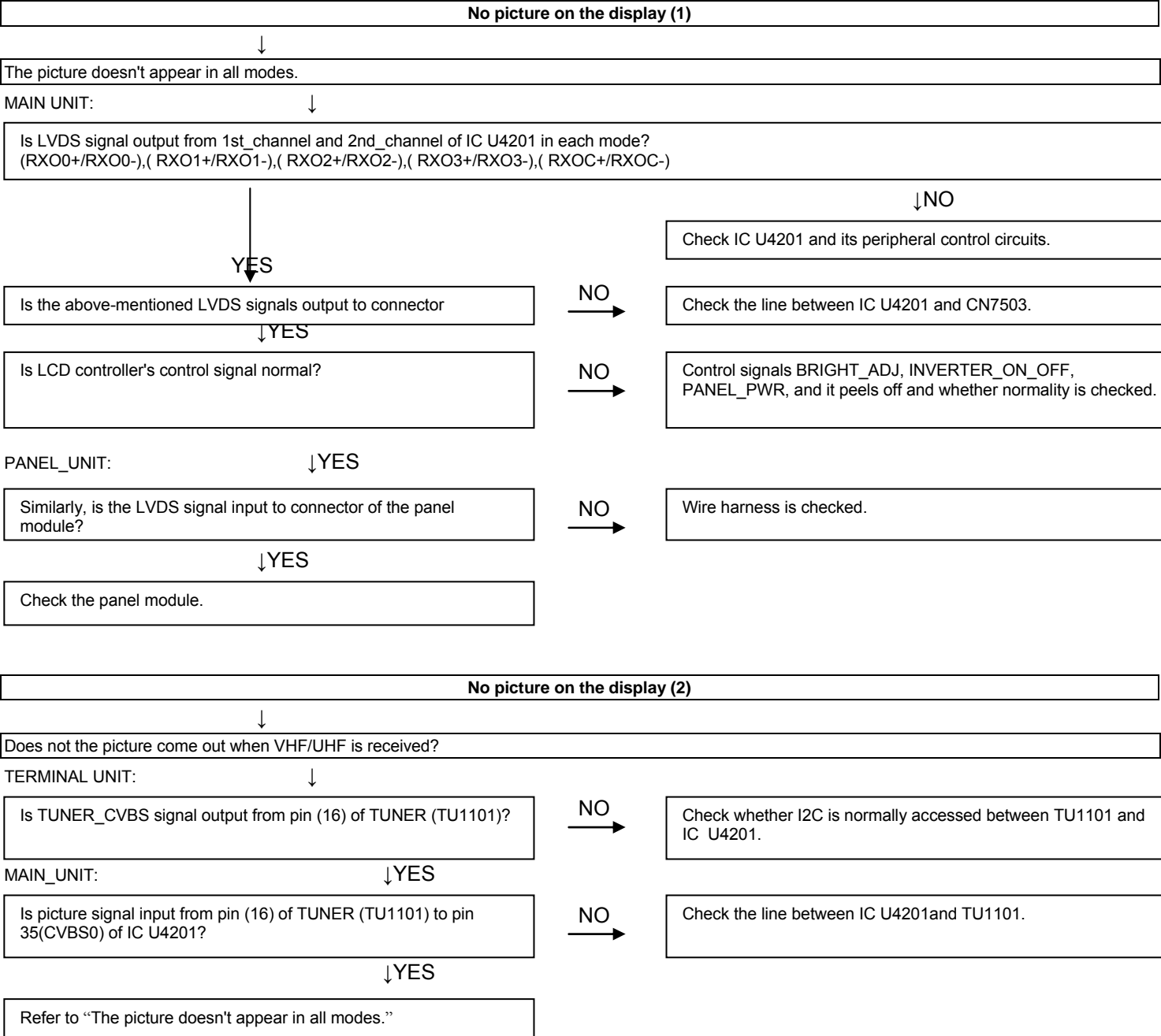
Is the audio signal output from IC U4201 pin(80) (LINEOUTL0) and pin(81) (LINEOUTR0) sent to pin(13)(INL) and pin(15)(INR) of IC U1201?

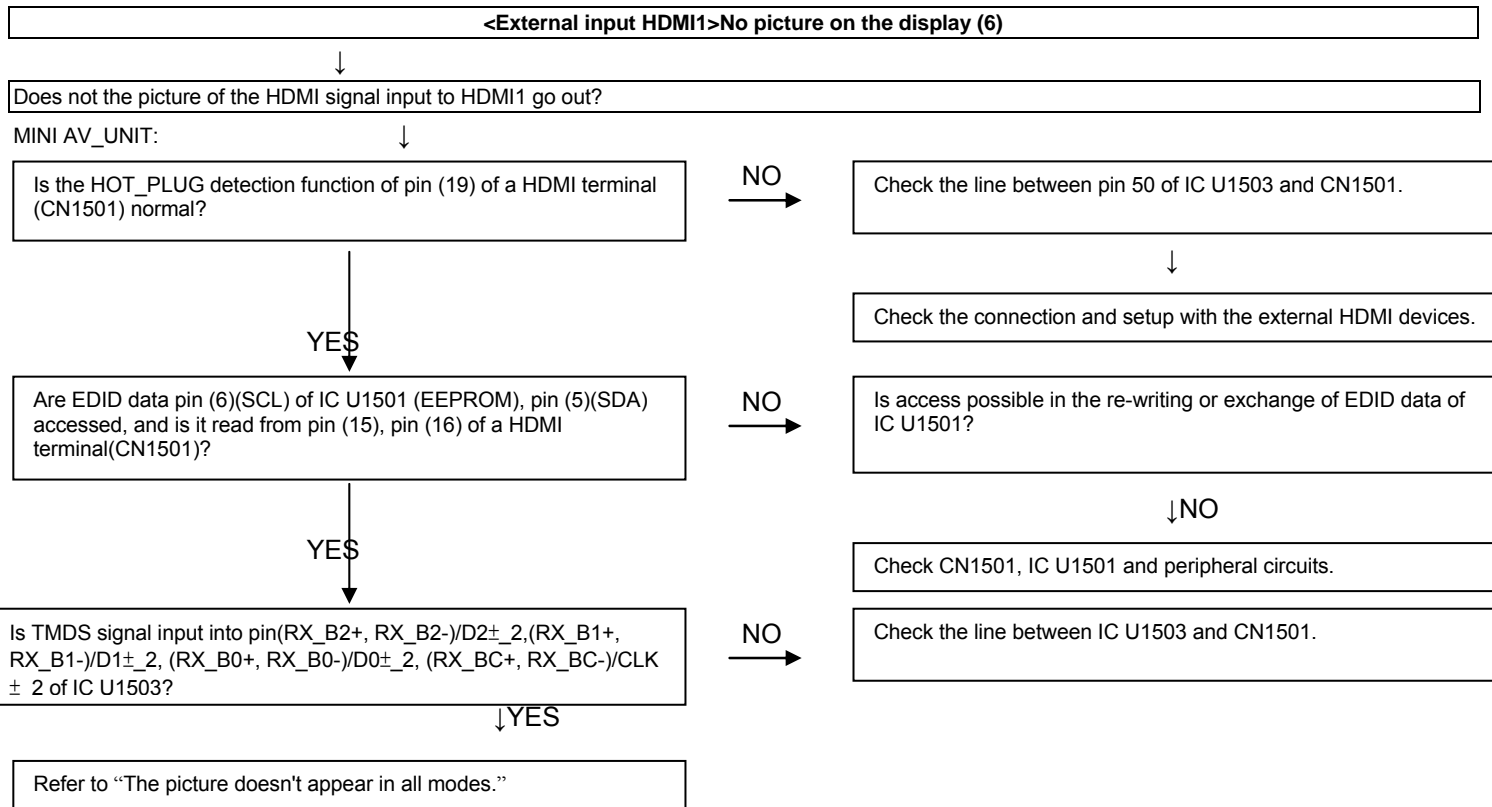
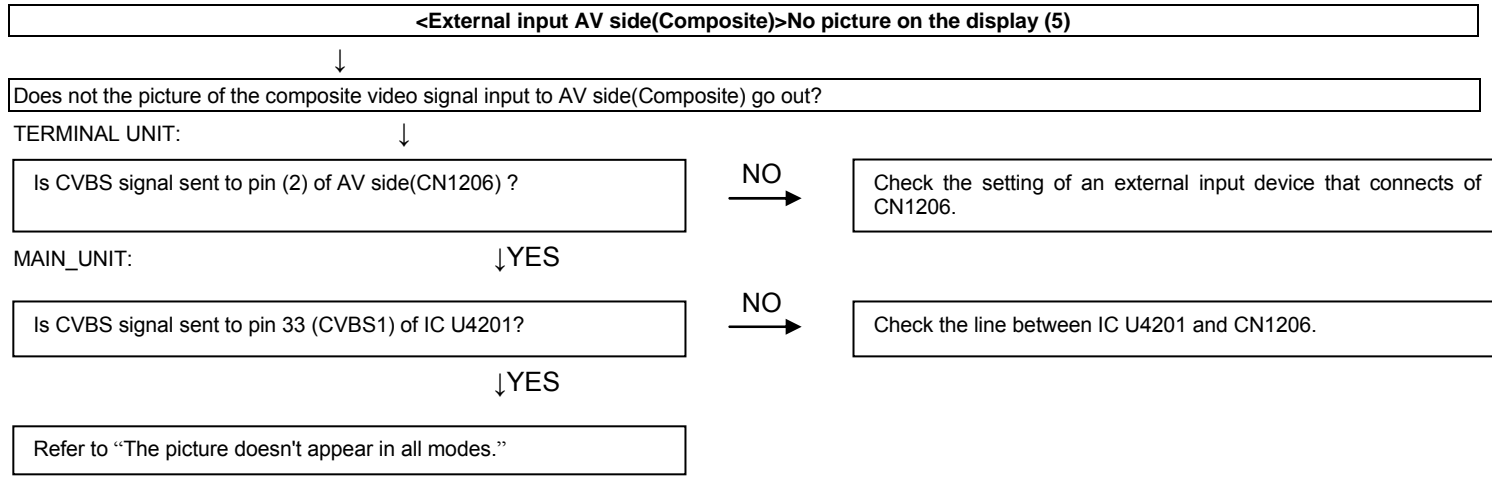
YES →

Check the line between IC U4201 and IC U1201.

↓NO

Check IC U4201 and its peripheral circuits.





<External input HDMI2>No picture on the display (7)

Does not the picture of the HDMI signal input to HDMI2 go out?

MINI AV\_UNIT:

Is the HOT\_PLUG detection function of pin (19) of a HDMI terminal (CN1601) normal?

NO →

Check the line between pin 35 of IC U1503 and CN1601.

↓

Check the connection and setup with the external HDMI devices.

YES ↓

Are EDID data pin (6)(SCL) of IC U1602 (EEPROM), pin (5)(SDA) accessed, and is it read from pin (15), (16) of a HDMI terminal(CN1601)?

NO →

Is access possible in the re-writing or exchange of EDID data of IC U1602?

↓NO

Check CN1601, IC U1602 and peripheral circuits.

YES ↓

Is TMDS signal input into pin(RX\_A2+, RX\_A2-)/D2±\_1,(RX\_A1+, RX\_A1-)/D1±\_1, (RX\_A0+, RX\_A0-)/D0±\_1, (RX\_AC+, RX\_AC-)/CLK±\_1 of IC U1503?

NO →

Check the line between IC U1503 and CN1601.

↓YES

Refer to "The picture doesn't appear in all modes."

<External input VGA>No picture on the display (8)

Does not the picture of the PC IN(ANALOG) video signal input to VGA(15pin-D-SUB terminal) go out?

TERMINAL\_UNIT:

Is R/G/B/H/V signal sent to pin (1)/R, (2)/G, (3)/B, (14)/H, (13)/V of VGA (CN1401)?

NO →

Check the setting of an external input device that connects of CN1401.

MAIN\_UNIT:

↓YES

Is R/G/B/H/V signal sent to pin (RIN1)/R, (GIN1)/G, (BIN1)/B, (HSYNC1)/H, (VSYNC1)/V of IC U4201?

NO →

Check the line between IC U4201 and CN1401.

↓YES

Refer to "The picture doesn't appear in all modes."

**< During external connection > No picture on the monitor (1)**

No picture appears on SCART1 - connected monitor during the tuner (U/V) reception.

**Checklist:**

- 1) Is the Signal Type (item) in MENU-Option-Input Select equal to Signal Type of an external device? ...Set it to "CVBS", "RGB", "AUTO".
- 2) Is ANT-CABLE disconnected or connected improperly? ...Connect it correctly as per the operation manual.
- 3) The picture is sent to the monitor in a CVBS signal if the source during display is ATV, CVBS of SCART1-2, AV side.  
When sent by component, etc., that signal is not sent to the monitor.
- 4) When the monitor picture is not sent and is not displayed on the monitor, refer to "No picture" for each terminal.
- 5) The video output from SCART1 is not the monitor output (output of the picture now watching).  
The picture of the last selected TV channel is always sent to SCART1. (Specification)

**TERMINAL\_UNIT:**

Is CVBS signal output into pin (19) of CN1901 (SCART1)?

YES →

Check the setting of an external input device that connects of CN1901.

↓ NO

Is TUNER\_CVBS signal output into pin (21) of CN1901 (SCART1)?

YES →

Check the line between CN1901 and TU1101.

↓ NO

Refer to "The picture doesn't appear in all modes."

**< During external connection > No picture on the monitor (2)**

**SCART2:**

No picture from SCART1 appears on SCART2-connected monitor.

NOTE: Normally, if the screen during display is sent to SCART2, no picture is sent to SCART2.

**Checklist:**

- 1) Is the Signal Type (item) in MENU-Option-Input Select equal to Signal Type of an external device? ...Set it to "CVBS",.
- 2) The picture is sent to the monitor in a CVBS signal if the source during display is TV, CVBS of SCART1-2, AV side.  
When sent by component, etc., that signal is not sent to the monitor.
- 3) When the monitor picture is not sent and is not displayed on the monitor, refer to "No picture" for each terminal.
- 4) The video output from SCART1 is not the monitor output (output of the picture now watching).  
The picture of the last selected TV channel is always sent to SCART1. (Specification)

**TERMINAL\_UNIT:**

Is CVBS signal output into pin (19) of CN1902 (SCART2)?

YES →

Check the setting of an external input device that connects of CN1902.

↓ NO

Is CVBS signal output from pin (A13) of IC U4201 into pin (19) of CN1902 (SCART2)?

YES →

Check the line between CN1902 and IC U4201.

↓ NO

Refer to "The picture doesn't appear in all modes."

## CHAPTER 5. MAJOR IC INFORMATIONS

### [1] MAJOR IC INFORMATIONS

#### 1. MAJOR IC INFORMATIONS

##### 1.1. U4201 (MST9A885GL)

###### GENERAL DESCRIPTION

The **MST9A885GL** is a high performance and fully intergrated IC for multi-function LCD monitor/TV with resolution up to SXGA (1280x1024)/WXGA+(1400x990). It is configured with an integrated triple-ADC/PLL,an integrated DVI/HDCP/HDMI receiver,a multi-standard TV video and audio decoder,a video de-interlacer,a scaling engine,the MStarACE-3 color engine,an on –screen display controller,an 8-bit MCU and a built –in output panel interface.By use of external frame buffer,3-D video decoding and processing are fulfilled for high-quality TV applications.To futher reduce system costs,the MST9A885GL als integrates intelligent power management control capability for green-mode requirements and spread-mode requirements and spread-spectrum support for EMI management.

###### FEATURES

- Single display LCD TV controller with PC &multimedia display functions
- Input supports up to SXGA & 1080P
- Panel supports up to SXGA(1280x1024) /WXGA+(1440x900)
- TV decoder with 3-D comb filter
- Multi-standard TV sound demodulator and decoder
- 10-bit triple-ADC for TV and RGB/YPbPr
- 10-bit video data processing
- Integrated DVI/HDCP/HDMI compliant receiver
- High-quality scaling engine & 3-D video de-interlacer
- 3-D video noise reduction
- MStarACE-3 picture/color processing engine
- Embedded On-Screen Display (OSD) control er engine
- Built-in MCU supports PWM & GPIO
- Built-in dual-link 8-bit LVDS transmitter
- 5-volt tolerant inputs
- Low EMI and power saving features
- 256-pin LQFP

###### NTSC/PAL/SECAM Video Decoder

- Supports NTSC M, NTSC-J, NTSC-4.43, PAL (B,D,G,H,M,N,I,Nc), and SECAM
- Automatic TV standard detection
- Motion adaptive 3-D comb filter for NTSC/PAL
- 8 configurable CVBS & Y/C S-video inputs
- Supports Teletext level-1.5, WSS, VPS,Closed-caption, and V-chip
- CVBS video output

###### Video IF for Multi-Standard Analog TV

- Digital low IF architecture
- Stepped-gain PGA with 26 dB tuning range and 1 dB tuning resolution
- Maximum IF analog gain of 37dB in addition to digital gain
- Programmable TOP to accommodate different tuner gain to optimize noise and linearity performance

###### Multi-Standard TV Sound Decoder

- Supports BTSC/NICAM/A2/EIA-J demodulation and decoding
- FM stereo & SAP demodulation
- L/Rx4, mono, and SIF audio inputs
- L/Rx3 loudspeaker and line outputs
- Supports sub-woofer output
- Built-in audio output DAC's
- Audio processing for loudspeaker channel, including volume, balance, mute, tone, EQ,and virtual stereo/surround
- Optional advanced surround available (Dolby1, SRS2, BBE3... etc) Note

**Digital Audio Interface**

- I2S digital audio input & output
- S/PDIF digital audio input & output
- HDMI audio channel processing capability
- Programmable delay for audio/video synchronization

**Analog RGB Compliant Input Ports**

- Three analog ports support up to 150MHz
- Supports PC RGB input up to SXGA@75Hz
- Supports HDTV RGB/YPbPr/YCbCr
- Supports Composite Sync and SOG(Sync-on-Green) separator
- Automatic color calibration

**DVI/HDCP/HDMI Compliant Input Port**

- Supports TMDS clock up to 225MHz @ 1080P 60Hz with 12-bit deep-color resolution
- Single link on-chip DVI 1.0 compliant receiver
- High-bandwidth Digital Content Protection(HDCP) 1.1 compliant receiver
- High Definition Multimedia Interface (HDMI)1.3 compliant receiver with CEC support
- Long-cable tolerant robust receiving
- Support HDTV up to 1080P

**Auto-Configuration/Auto-Detection**

- Auto input signal format and mode detection
- Auto-tuning function including phasing,positioning, offset, gain, and jitter detection
- Sync detection for H/V Sync

**Digital Video Input**

- One 4:2:2 ITU-R BT.656 8-bit digital video input port

**High-Performance Scaling Engines**

- Fully programmable shrink/zoom capabilities
- Nonlinear video scaling supports various modes including Panorama

**Video Processing & Conversion**

- 3-D motion adaptive video de-interlacer
- Edge-oriented adaptive algorithm for smooth low-angle edges
- Automatic 3:2 pull-down & 2:2 pull-down detection and recovery
- MStar 3rd Generation Advanced Color Engine(MStarACE-3) automatic picture enhancement gives:
  - Brilliant and fresh color
  - Intensified contrast and details
  - Vivid skin tone
  - Sharp edge
  - Enhanced depth of field perception
  - Accurate and independent color control

sRGB compliance allows end-user to experience the same colors as viewed on CRTs and other displays

Programmable 12-bit RGB gamma CLUT

3-D video noise reduction

Frame rate conversion

**On-Screen OSD Controller**

- 16/256 color palette
- 256/512 1-bit/pixel font
- 128/256 4-bit/pixel font
- Supports texture function
- Supports 4K attribute/code
- Horizontal and vertical stretch of OSD menus
- Pattern generator for production test
- Supports OSD MUX and alpha blending capability
- Supports blinking and scrolling for closed caption applications

**LVDS/TTL Panel Interface**

- Supports 8-bit dual link LVDS up to SXGA(1280x1024) / WXGA+(1440x900)
- Supports 8-bit single TTL panel
- Supports 2 data output formats: Thine & TI data mappings
- Compatible with TIA/EIA
- With 6/8 bits options
- Reduced swing for LVDS for low EMI
- Supports flexible spread spectrum frequency with 360Hz~11.8MHz and up to 25% modulation

**Integrated Micro Controller**

- Embedded 8032 micro controller
- Configurable PWM's and GPIO's
- Low-speed ADC inputs for system control
- SPI bus for external flash
- Supports external MCU option controlled through 4-wire double-data-rate direct MCU bus

**External Connection/Component**

- SD/MMC/MS/MSPRO card reader interface to support JPEG playback
- Two USB controllers (1.1 OTG and 2.0 host) with the flexibility for connecting external storage devices or PictBridge
- 16-bit data bus for external frame buffer (DDR DRAM)
- All system clocks synthesized from a single external clock

**1.2. U6102 (TPA3124D2PWPR)****Description**

The TPA3124D2 is a 15-W(per channel);efficient,class-D audio power amplifier for driving stereo speakers in a single-ended configuration;or a mono speaker in a bridge-tied-load configuration .The TPA3124D2 eliminates the need for an external heat sink when playing music. The gain of amplifier is controlled by two gain select pins.The gain selections are 20.26.32and 36dB. The patented start-up and shutdown sequences minimize pop noise in the speakers without additional circuitry.

**Features**

- 10-W/Ch Into a 8-Ω Load From a 24-V Supply
- 15-W/Ch Into a 4-Ω Load From a 22-V Supply
- 30-W/Ch Into a 8-Ω Load From a 22-V Supply
- Operates From 10V to 26V
- Can Run From +24V LCD Backlight Supply
- Efficient Class-D Operation Eliminates Need For Heat Sinks
- Four selectable,Fixed-Gain Settings
- Internal Oscillator(No External Components Required)
- Single-Ended Analog Inputs
- Thermal and Short-Circuit Protection With Auto Recovery
- Space-Saving Surface Mount 24-Pin TSSOP Package
- Advanced Power-Off Pop Reduction

**Applications**

- Flat Panel Televisions
- DLP TVs
- CRT TVs
- Powered Speakers

**1.3. U1503 (TMDS261)****Description**

The TMDS261 is a two-port digital video interface (DVI) or high-definition multimedia interface (HDMI) switch that allows up to two DVI or HDMI ports to be switched to a single display terminal. Four TMDS channels, one hot-plug detector, and a digital display control (DDC) interface are supported on each port. Each TMDS channel supports signaling rates up to 3 Gbps to allow 1080p resolution in 16-bit color depth. The TMDS261 provides an adaptive equalizer for different ranges of cable lengths. The equalizer automatically compensates for intersymbol interference [ISI] loss of an HDMI/DVI cable for up to 20 dB at 3 Gbps

**Features**

- 2:1 Switch Supporting DVI Above 1920 × 1200 • 64-Pin TQFP Package: Pin-Compatible With and HDMI HDTV Resolutions up to 1080p With TMDS25116-bit Color Depth • Robust TMDS Receive Stage That Can Work
- Designed for Signaling Rates up to 3 Gbps With Non-Compliant Input Common-Mode
- HDMI1.3a Spec Compliant HDMI Signal
- Adaptive Equalization to Support up to 20-m HDMI Cable
- TMDS Input Clock-Detect Circuit • High-Definition Digital TV



DDC Repeater Function — LPC1114

<2 mW Low-Power Mode – DLP®

Local I2C or GPIO Configurable

Enhanced ESD. HBM: 10 kV on All Input TMDS, DDC I2C, HPD Pins

3.3-Volt Power Supply

Temperature Range: 0°C to 70°C

64-Pin TQFP Package: Pin-Compatible With TMDS251

Robust TMDS Receive Stage That Can Work With Non-Compliant Input Common-Mode HDMI Signal

#### 1.4. U1901,U1201,U6101,U6103 (DRV601RTJR)

##### General description

The DRV601 is a stereo line driver designed to allow the removal of the output dc-blocking capacitors for reduced component count and cost. The device is ideal for single supply electronics where size and cost are critical design parameters.

The DRV601 is capable of driving 2 Vrms into a 600-Ω load at 3.3 V. The device has external gain setting resistors, that support a gain range of -1V/V to -10V/V, and line outputs that has ±8-kV IEC ESD protection. The device has independent shutdown control for the right and left audio channels.

The DRV601 is available in a 4 mm × 4 mm Thin QFN package.

##### Features

External Gain Setting Resistors

Space Saving Package

-20-Pin, 4 mm × 4 mm Thin QFN, Thermally Optimized PowerPAD™ Package

Ground-Referenced Outputs Eliminate DC-Blocking Capacitor

-Reduce Board Area

-Reduce Component Cost

-Improve THD+N Performance

-No Degradation of Low-Frequency Response Due to Output Capacitors

Wide Power Supply Range: 1.8 V to 4.5 V

2 Vrms/Ch Output Voltage into 600 Ω at 3.3 V supply

Independent Right and Left Channel Shutdown Control

Short-Circuit and Thermal Protection

Pop Reduction Circuitry

##### Applications

Set-Top Boxes

CD / DVD Players

DVD-Receivers

HTIB

PDP / LCD TV's

#### 1.5. U7101 (TPS62203DBVRG4)

##### DESCRIPTION

The TPS6220x devices are a family of high-efficiency synchronous step-down converters ideally suited for portable systems powered by 1-cell Li-Ion or 3-cell NiMH/NiCd batteries. The devices are also suitable to operate from a standard 3.3-V or 5-V voltage rail.

With an output voltage range of 6 V down to 0.7 V and up to 300 mA output current, the devices are ideal to power low voltage DSPs and processors used in PDAs, pocket PCs, and smart phones.

Under Nominal load current, the devices operate with a fixed switching frequency of typically 1 MHz. At light load currents, the part enters the power save mode operation, the switching frequency is reduced and quiescent current is typically only 15µA; therefore, it achieves the highest efficiency over the entire load current range. The TPS 6220X needs only three small external components. Together with the SOT23 package, a minimum system solution size is achieved. An advanced fast response voltage mode control scheme achieves superior line and load regulation with small ceramic input and output capacitors.

##### FEATURES

High Efficiency Synchronous Step-Down Converter With up to 95% Efficiency  
 2.5-V to 6-V Input Voltage Range  
 Adjustable Output Voltage Range From 0.7 V to V1  
 Fixed Output Voltage Options Available  
 Up to 300 mA Output Current  
 -MHz Fixed Frequency PWM Operation  
 Highest Efficiency Over Wide Load Current Range Due to Power Save Mode  
 15- $\mu$ A Typical Quiescent Current  
 Soft Start  
 100% Duty Cycle Low-Dropout Operation  
 Dynamic Output-Voltage Positioning  
 Available in a 5-Pin SOT23 Package

**APPLICATIONS**

PDA's and Pocket PC  
 Cellular Phones, Smart Phones  
 Low Power DSP Supply  
 Digital Cameras  
 Portable Media Players  
 Portable Equipment

**1.6. U7103 (SC4524BSETRT)**

**DESCRIPTION**

The SC4524B is a constant frequency peak current-mode step-down switching regulator capable of producing 2A output current from an input ranging from 3V to 16V. The switching frequency of the SC4524B is programmable up to 2MHz, allowing the use of small inductors and ceramic capacitors for miniaturization, and high input/output conversion ratio. The SC4524B is suitable for next generation XDSL modems, high-definition TVs and various point of load applications.

Peak current-mode PWM control employed in the SC4524B achieves fast transient response with simple loop compensation. Cycle-by-cycle current limiting and hiccup overload protection reduces power dissipation during output overload. Soft-start function reduces input start-up current and prevents the output from overshooting during power-up.

**FEATURES**

Wide input range: 3V to 16V  
 2A Output Current  
 200kHz to 2MHz Programmable Frequency  
 Precision 1V Feedback Voltage  
 Peak Current-Mode Control  
 Cycle-by-Cycle Current Limiting  
 Hiccup Overload Protection with Frequency Foldback  
 Soft-Start and Enable  
 Thermal Shutdown  
 Thermally Enhanced 8-pin SOIC Package  
 Fully RoHS and WEEE compliant

**APPLICATIONS**

XDSL and Cable Modems  
 Set Top Boxes  
 Point of Load Applications  
 CPE Equipment  
 DSP Power Supplies  
 LCD and Plasma TVs

**1.7. U1801 (STMPS2171STR SOT23-5L)**

**DESCRIPTION**

The STMPS2141, STMPS2151, STMPS2161,STMPS2171 power distribution switches are intended for applications where heavy capacitive loads and short circuits are likely to be encountered. These devices incorporate 90 m $\Omega$  N-channel MOSFET high-side power switches for power-distribution. These switches are controlled by a logic enable input.

**FEATURES**

90 mΩ high-side MOSFET switch  
 500/1000 mA continuous current  
 Thermal and short-circuit protection with overcurrent logic output  
 Operating range from 2.7 V to 5.5 V  
 CMOS- and TTL-compatible enable inputs  
 Undervoltage lockout (UVLO)  
 12 μA maximum standby supply current  
 Ambient temperature range, -40°C to 85°C  
 8 kV ESD protection  
 Reverse current protection  
 Fault-blanking

**1.8. U1602,U1401,U1501 (IC AT24C02BN-SH-T 8-SOIC)****DESCRIPTION**

The AT24C02B provides 2048 bits of serial electrically erasable and programmable read-only memory (EEPROM) organized as 256 words of 8 bits each. The device is optimized for use in many industrial and commercial applications where low-power and low-voltage operation are essential. The AT24C02B is available in space-saving 8-lead PDIP, 8-lead JEDEC SOIC, 8-lead Ultra-Thin Mini-MAP (MLP 2x3), 5-lead SOT23, 8-lead TSSOP, and 8-ball dBG2 packages and is accessed via a Two-wire serial interface. In addition, the AT24C02B is available in 1.8V (1.8V to 5.5V) version.

**FEATURES**

Low-voltage and Standard-voltage Operation  
 - 1.8 (VCC = 1.8V to 5.5V)  
 Internally Organized 256 x 8 (2K)  
 Two-wire Serial Interface  
 Schmitt Trigger, Filtered Inputs for Noise Suppression  
 Bidirectional Data Transfer Protocol  
 1 MHz (5V), 400 kHz (1.8V, 2.5V, 2.7V) Compatibility  
 Write Protect Pin for Hardware Data Protection  
 8-byte Page (2K) Write Modes  
 Partial Page Writes Allowed  
 Self-timed Write Cycle (5 ms max)  
 High-reliability  
 - Endurance: 1 Million Write Cycles  
 - Data Retention: 100 Years  
 8-lead PDIP, 8-lead JEDEC SOIC, 8-lead Ultra-Thin Mini-MAP (MLP 2x3), 5-lead SOT23, 8-lead TSSOP and 8-ball dBG2 Packages  
 Lead-free/Halogen-free  
 Available in Automotive  
 Die Sales: Wafer Form, Waffle Pack and Bumped Wafers

**1.9. U4402 (W25X16AVSSIG SO-8 208mil)****DESCRIPTION**

The W25X16A (16M-bit) Serial Flash memory provide a storage solution for systems with limited space, pins and power. The 25X series offers flexibility and performance well beyond ordinary Serial Flash devices. They are ideal for code download applications as well as storing voice, text and data. The devices operate on a single 2.7V to 3.6V power supply with current consumption as low as 5mA active and 1μA for power-down. All devices are offered in space-saving packages.

The W25X16A array is organized into 8,192 programmable pages of 256-bytes each. Up to 256 bytes can be programmed at a time using the Page Program instruction. Pages can be erased in groups of 16 (sector erase), groups of 256 (block erase) or the entire chip (chip erase). The W25X16A has 512 erasable sectors and 32 erasable blocks. The small 4KB sectors allow for greater flexibility in applications that require data and parameter storage. (See figure 2.)

The W25X16A supports the standard Serial Peripheral Interface (SPI), and a high performance dual output SPI using four pins: Serial Clock, Chip Select, Serial Data I/O and Serial Data Out. SPI clock frequencies of up to 100MHz are supported allowing equivalent clock rates of 200MHz when using the Fast Read Dual Output instruction. These transfer rates are comparable to those of 8 and 16-bit Parallel Flash memories. A Hold pin, Write Protect pin and programmable write protect, with top or bottom array control features, provide further control flexibility.

Additionally, the device supports JEDEC standard manufacturer and device identification.

## FEATURES

### Family of Serial Flash Memories

- W25X16A: 16M-bit / 2M-byte (2,097,152)
- 256-bytes per programmable page
- Uniform 4K-byte Sectors / 64K-byte Blocks

### SPI with Single or Dual Outputs

- Clock, Chip Select, Data I/O, Data Out
- Optional Hold function for SPI flexibility

### Data Transfer up to 200M-bits / second

- Clock operation to 100MHz
- Fast Read Dual Output instruction
- Auto-increment Read capability

### Flexible Architecture with 4KB sectors

- Sector Erase (4K-bytes)
- Block Erase (64K-byte)
- Page program up to 256 bytes <2ms
- More than 100,000 erase/write cycles
- More than 20-year data retention

### Low Power Consumption, Wide Temperature Range

- Single 2.7 to 3.6V supply
- 5mA active current, 1µA Power Down(typ)
- -40° to +85°C operating range

### Software and Hardware write Protection

- Write-Protect all or portion of memory
- Enable/Disable protection with /WP pin
- Top or bottom array protection

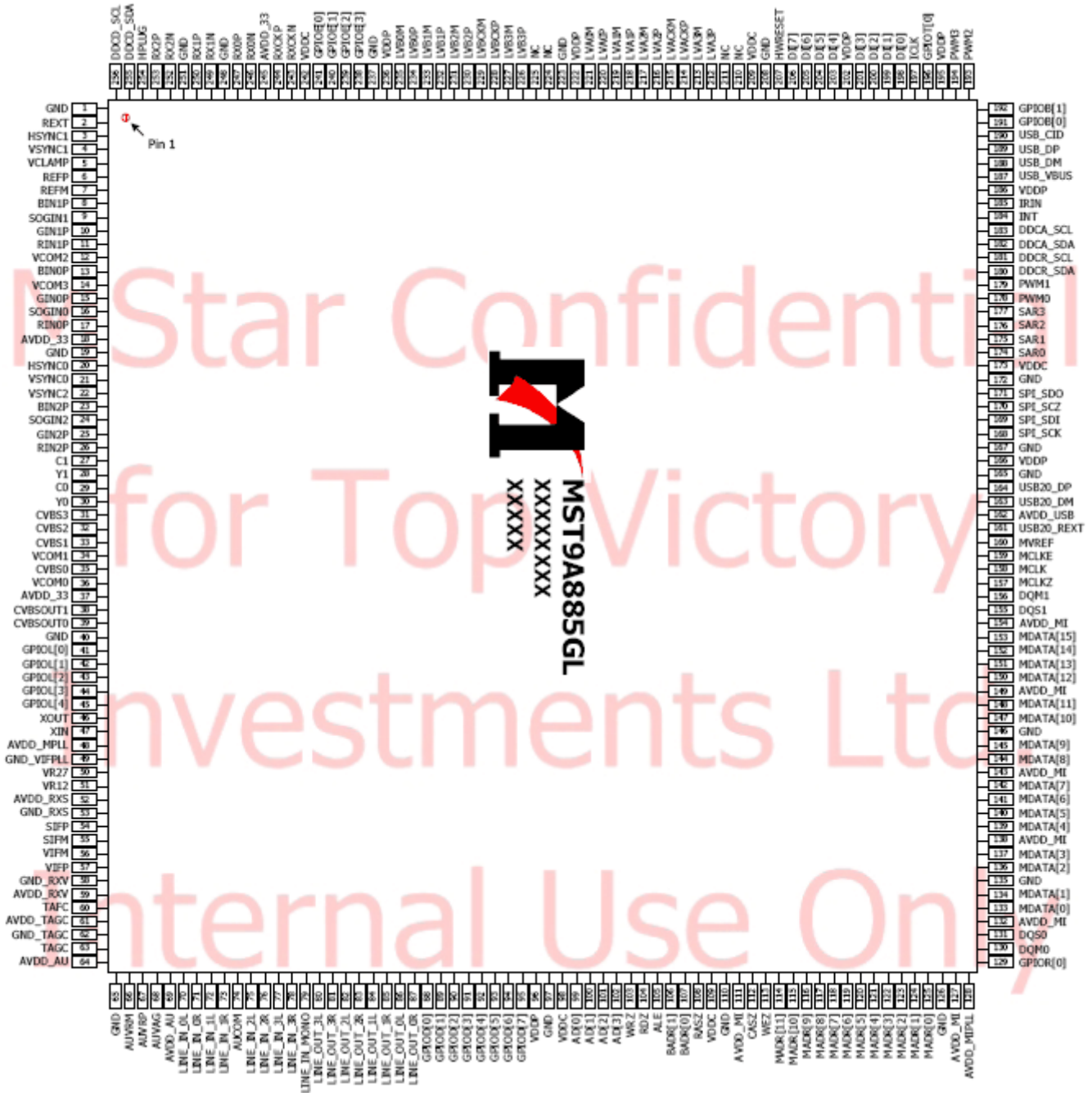
### Space Efficient Packaging

- 8-pin SOIC 150-mil
- 8-pin SOIC 208-mil
- 8-pin PDIP 300-mil
- 16-pin SOIC 300-mil
- 8-pad WSON 6x5-mm

2. Detailed ICs Information

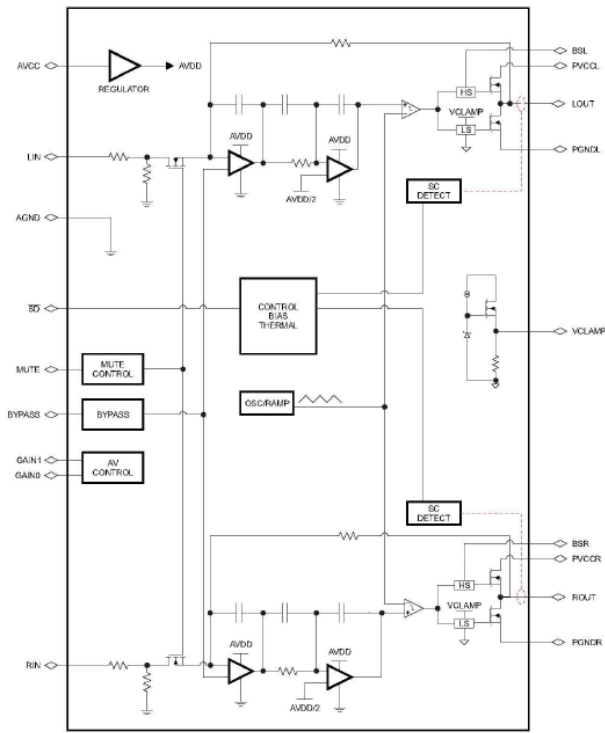
2.1. U4201 (MST9A885GL)

2.1.1 Pin Diagram



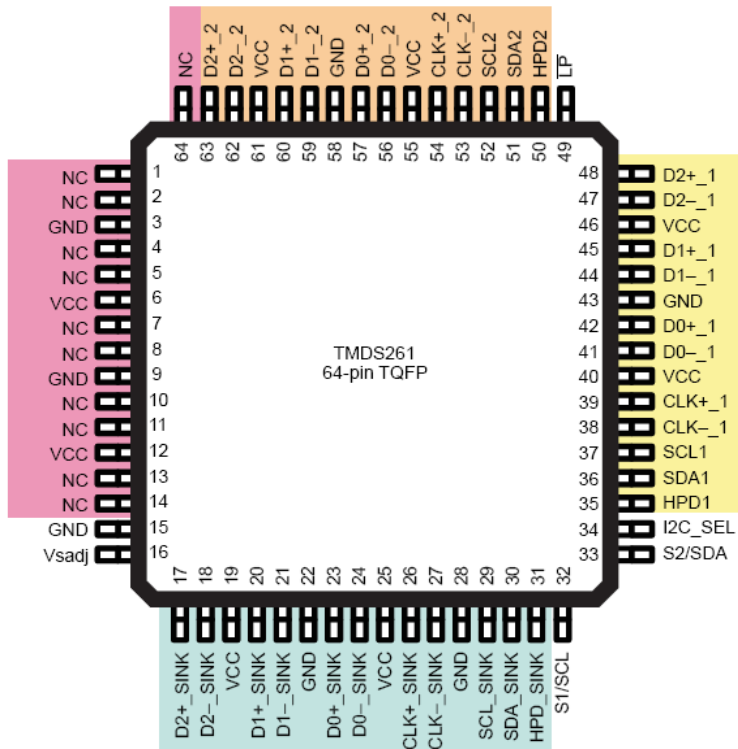
2.2. U6102 (TPA3124D2PWPR)

2.2.1 Fuction Block Diagram



2.3. U1503 (TMDS261)

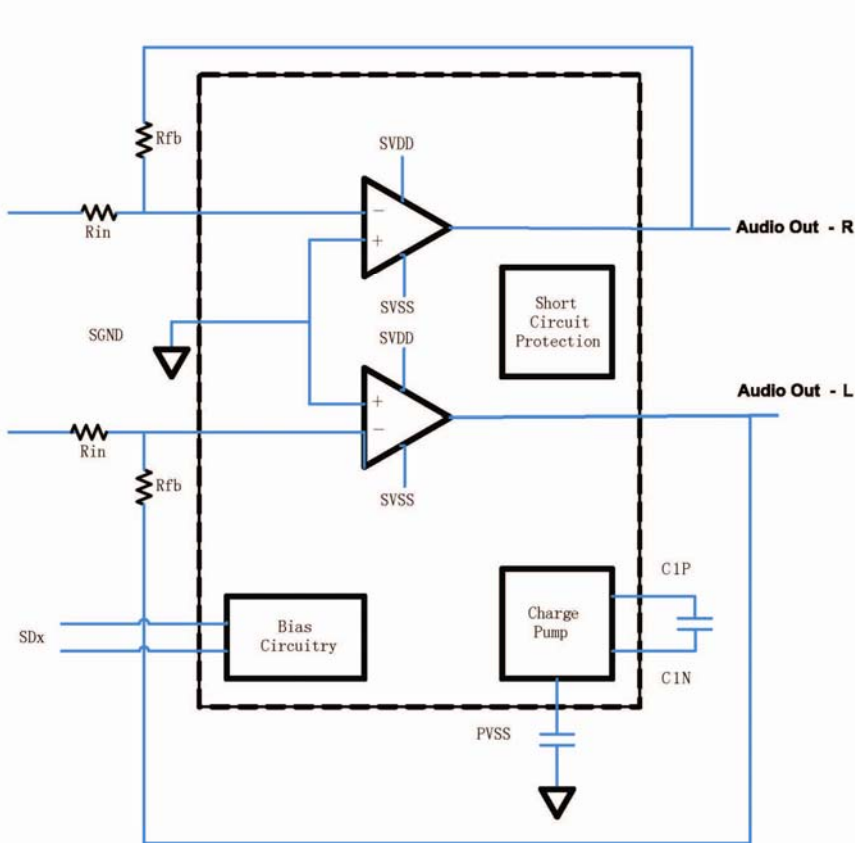
2.3.1 PAG Package



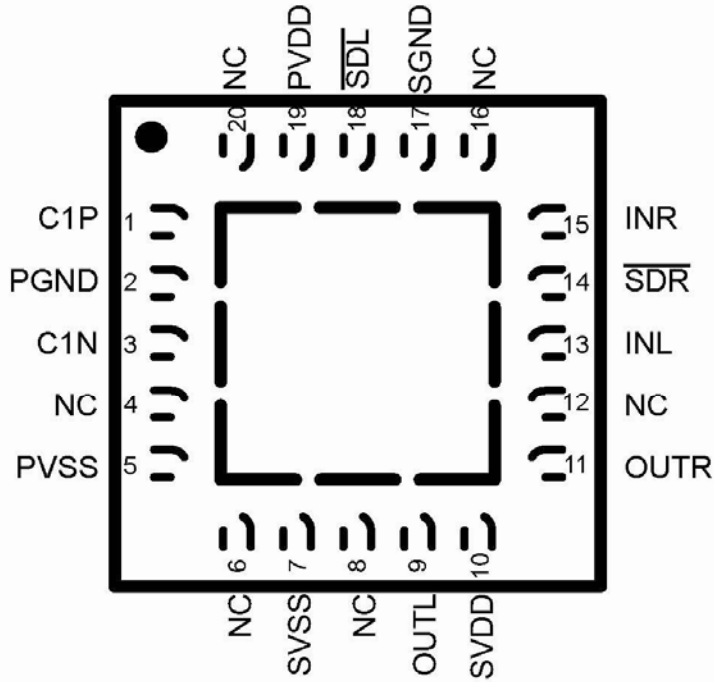
TERMINAL		I/O	DESCRIPTION
SIGNAL	NO.		
<b>TMDS INPUT PINS</b>			
CLK+_1	39	I	Port-1 TMDS differential clock
CLK-_1	38		
D[0:2]+_1	42, 45, 48	I	Port-1 TMDS differential data inputs
D[0:2]_-_1	41, 44, 47		
CLK+_2	54	I	Port-2 TMDS differential clock
CLK-_2	53		
D[0:2]+_2	57, 60, 63	I	Port-2 TMDS differential data inputs
D[0:2]_-_2	56, 59, 62		
<b>TMDS OUTPUT PINS</b>			
CLK+_SINK	26	O	TMDS sink differential clock
CLK-_SINK	27		
D[0:2]+_SINK	23, 20, 17	O	TMDS sink differential data outputs
D[0:2]_-_SINK	24, 21, 18		
<b>HOT-PLUG-DETECT STATUS PINS</b>			
HPD[1:2]	35, 50	O	Source port hot-plug-detect output
HPD_SINK	31	I	Sink hot-plug-detect input
<b>DDC PINS</b>			
SCL[1:2]	37, 52	I/O	TMDS port bidirectional DDC clock
SDA[1:2]	36, 51	I/O	TMDS port bidirectional DDC data
SCL_SINK	29	I/O	TMDS sink-side bidirectional DDC clock
SDA_SINK	30	I/O	TMDS sink-side bidirectional DDC data
<b>CONTROL PINS</b>			
LP	49	I	Low-power select bar
I2C_SEL	34	I	GPIO/local I <sup>2</sup> C control select
S1/SCL	32	I	Source select 1 (GPIO) / local I <sup>2</sup> C clock (I2C)
S2/SDA	33	I/O	Source select 2 (GPIO) / local I <sup>2</sup> C data (I2C)
VSadj	16	I	TMDS-compliant voltage swing control
<b>SUPPLY AND GROUND PINS</b>			
VCC	6, 12, 19, 25, 40, 46, 55, 61		3.3-V supply
GND	3, 9, 15, 22, 28, 43, 58		Ground
NC	1, 2, 4, 5, 7, 8, 10, 11, 13, 14, 64		No Connect Pins

### 2.4. U1901,U1201,U6101,U6103 (DRV601RTJR)

#### 2.4.1 Function Block Diagram



#### 2.4.2 Pin Connections and short description

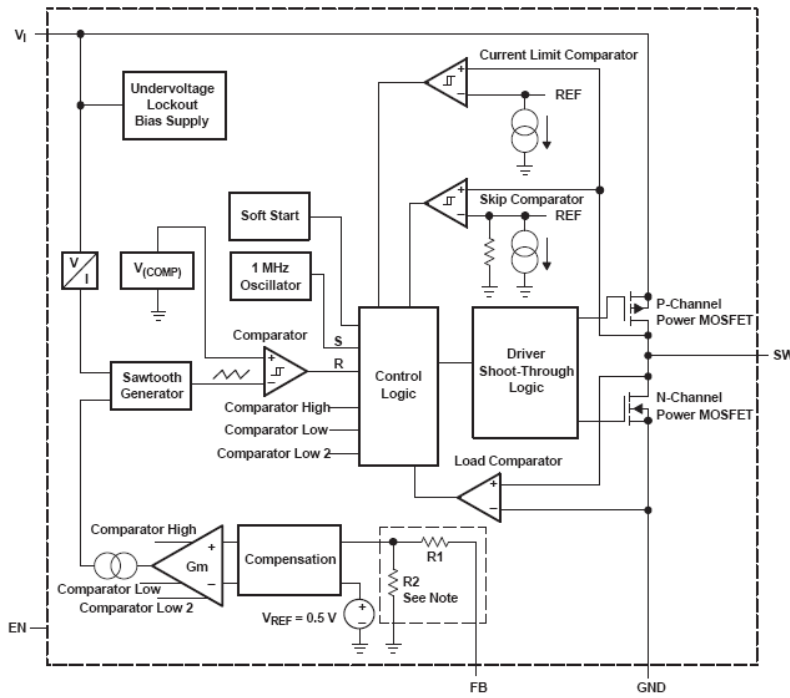


TERMINAL		I/O	DESCRIPTION
NAME	QFN		
C1P	1	I/O	Charge pump flying capacitor positive terminal
PGND	2	I	Power ground, connect to ground.
C1N	3	I/O	Charge pump flying capacitor negative terminal
NC	4, 6, 8, 12, 16, 20		No connection
PVSS	5	O	Output from charge pump.
SVSS	7	I	Amplifier negative supply, connect to PVSS via star connection.
OUTL	9	O	Left audio channel output signal
SVDD	10	I	Amplifier positive supply, connect to PVDD via star connection.
OUTR	11	O	Right audio channel output signal
INL	13	I	Left audio channel input signal
SDR	14	I	Right channel shutdown, active low logic.
INR	15	I	Right audio channel input signal
SGND	17	I	Signal ground, connect to ground.
SDL	18	I	Left channel shutdown, active low logic.
PVDD	19	I	Supply voltage, connect to positive supply.
Exposed Pad			Exposed pad must be soldered to a floating plane. Do NOT connect to power or ground.

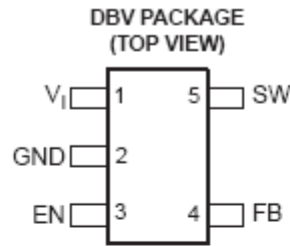


2.5. U7101 (TPS62203DBVRG4)

2.5.1 Block Diagram



2.5.2 Pin Connections and short description

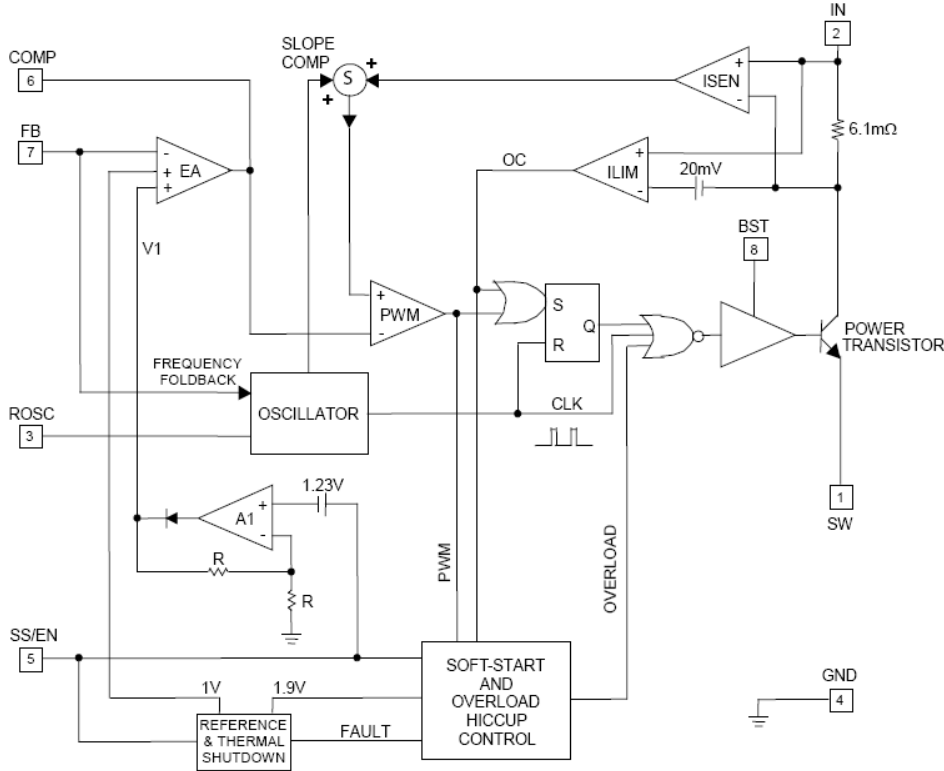


**Terminal Functions**

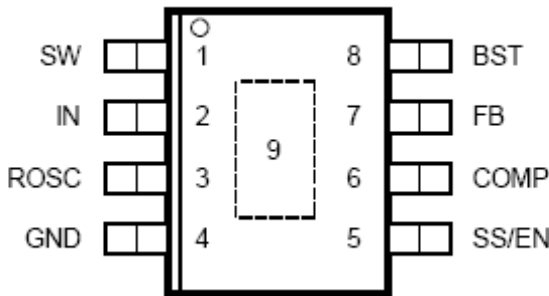
TERMINAL NAME	NO.	I/O	DESCRIPTION
EN	3	I	This is the enable pin of the device. Pulling this pin to ground forces the device into shutdown mode. Pulling this pin to $V_{in}$ enables the device. This pin must not be left floating and must be terminated.
FB	4	I	This is the feedback pin of the device. Connect this pin directly to the output if the fixed output voltage version is used. For the adjustable version an external resistor divider is connected to this pin. The internal voltage divider is disabled for the adjustable version.
GND	2		Ground
SW	5	I/O	Connect the inductor to this pin. This pin is the switch pin and is connected to the internal MOSFET switches.
$V_{in}$	1	I	Supply voltage pin

2.6. U7103 (SC4524BSETRT)

2.6.1 Block Diagram



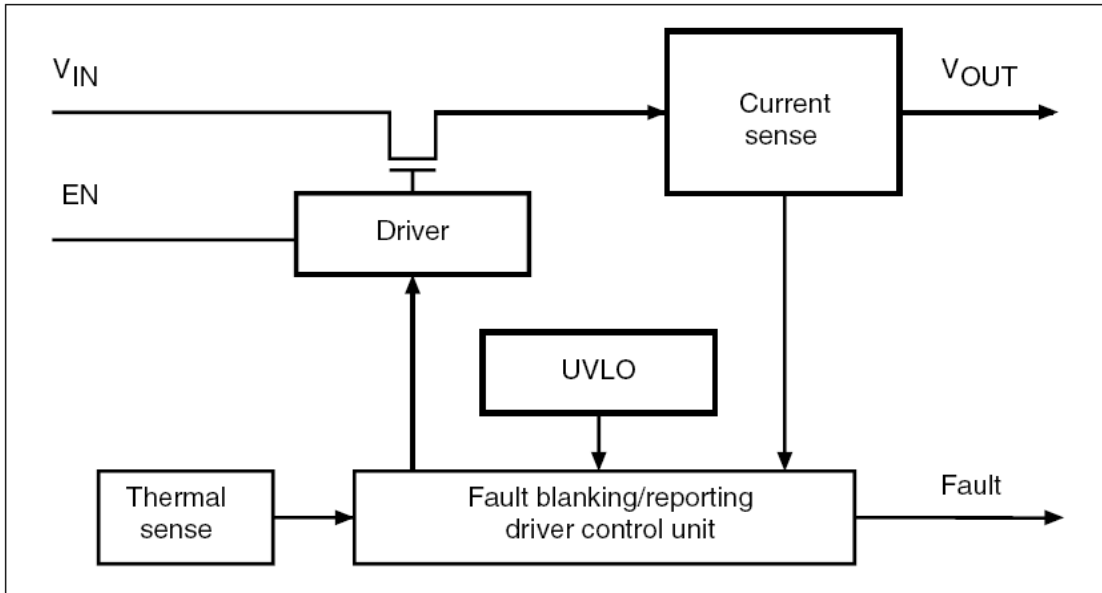
2.6.2 Pin Connections and short description



SO-8	Pin Name	Pin Function
1	SW	Emitter of the internal NPN power transistor. Connect this pin to the inductor, the freewheeling diode and the bootstrap capacitor.
2	IN	Power supply to the regulator. It is also the collector of the internal NPN power transistor. It must be closely bypassed to the ground plane.
3	ROSC	An external resistor from this pin to ground sets the oscillator frequency.
4	GND	Ground pin
5	SS/EN	Soft-start and regulator enable pin. A capacitor from this pin to ground provides soft-start and overload hiccup functions. Hiccup can be disabled by overcoming the internal soft-start discharging current with an external pull-up resistor connected between the SS/EN and the IN pins. Pulling the SS/EN pin below 0.2V completely shuts off the regulator to low current state.
6	COMP	The output of the internal error amplifier. The voltage at this pin controls the peak switch current. A RC compensation network at this pin stabilizes the regulator.
7	FB	The inverting input of the error amplifier. If $V_{FB}$ falls below 0.8V, then the switching frequency will be reduced to improve short-circuit robustness (see Applications Information for details).
8	BST	Supply pin to the power transistor driver. Tie to an external diode-capacitor bootstrap circuit to generate drive voltage higher than $V_{in}$ in order to fully enhance the internal NPN power transistor.
9	Exposed Pad	The exposed pad serves as a thermal contact to the circuit board. It is to be soldered to the ground plane of the PC board.

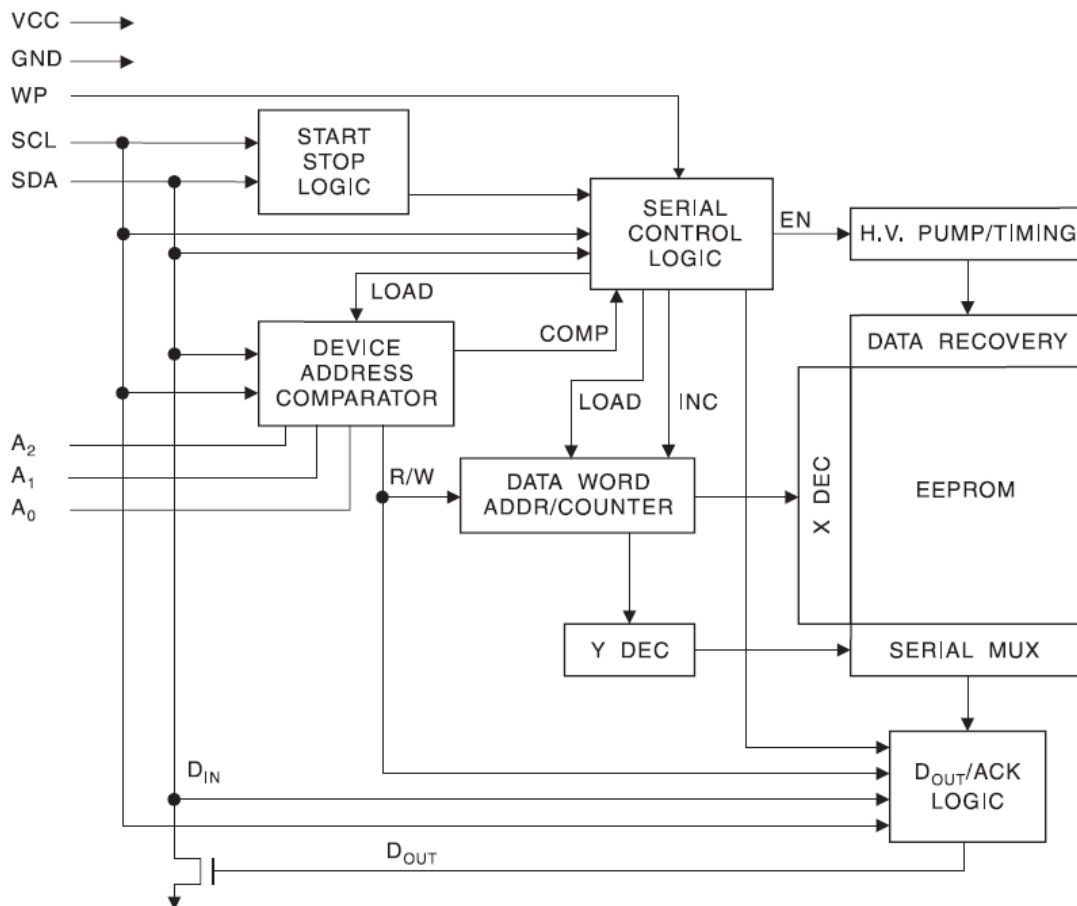
2.7. U1801 (STMPS2171STR SOT23-5L)

2.7.1 Block Diagram



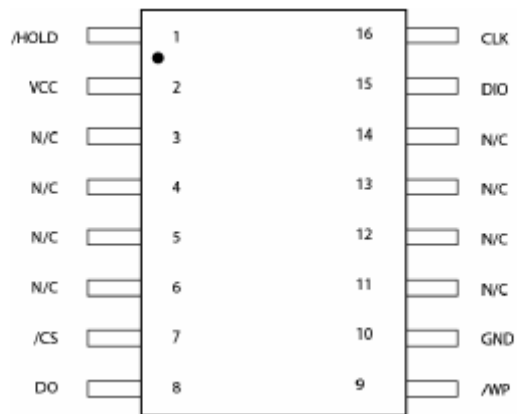
2.8. U1602,U1401,U1501 (IC AT24C02BN-SH-T 8-SOIC)

2.8.1 Block Diagram



2.9. U4402 (W25X16AVSSIG SO-8 208mil)

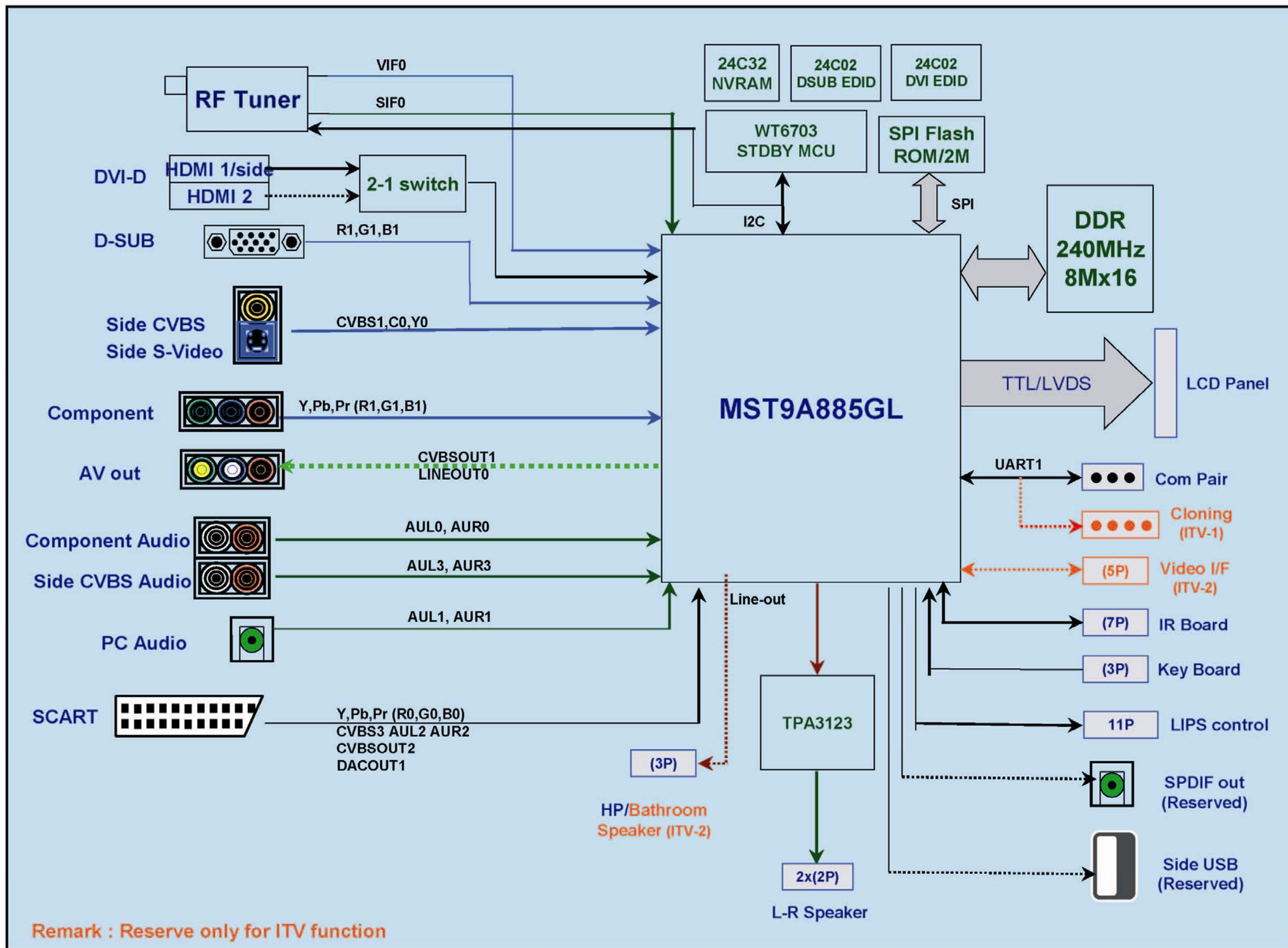
## 2.9.1 Pin Connections and short description



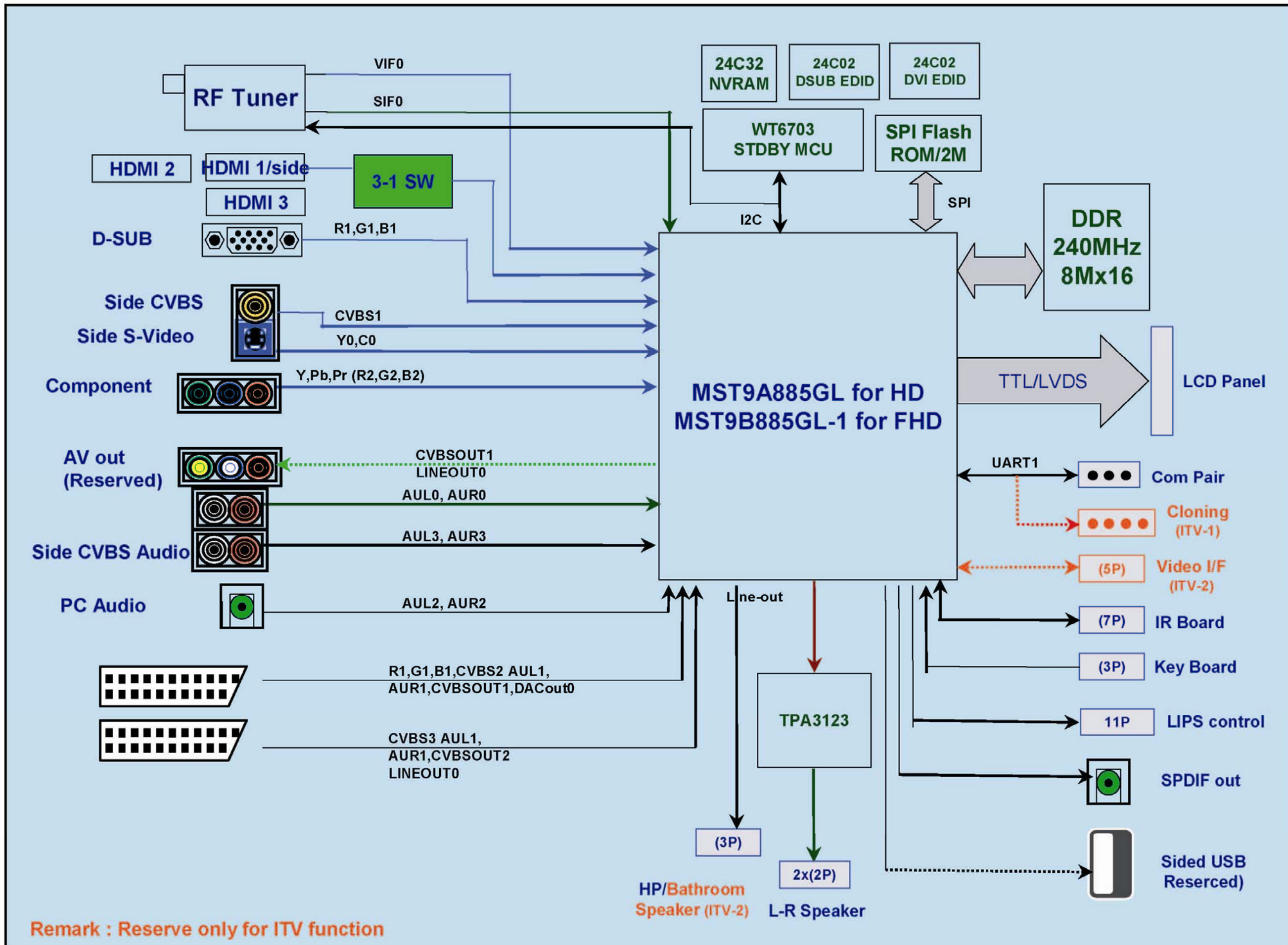
PIN NO.	PIN NAME	I/O	FUNCTION
1	/HOLD	I	Hold Input
2	VCC		Power Supply
3	N/C		No Connect
4	N/C		No Connect
5	N/C		No Connect
6	N/C		No Connect
7	/CS	I	Chip Select Input
8	DO	O	Data Output
9	/WP	I	Write Protect Input
10	GND		Ground
11	N/C		No Connect
12	N/C		No Connect
13	N/C		No Connect
14	N/C		No Connect
15	DIO	I/O	Data Input / Output
16	CLK	I	Serial Clock Input

CHAPTER 6. BLOCK DIAGRAM/WIRING DIAGRAM

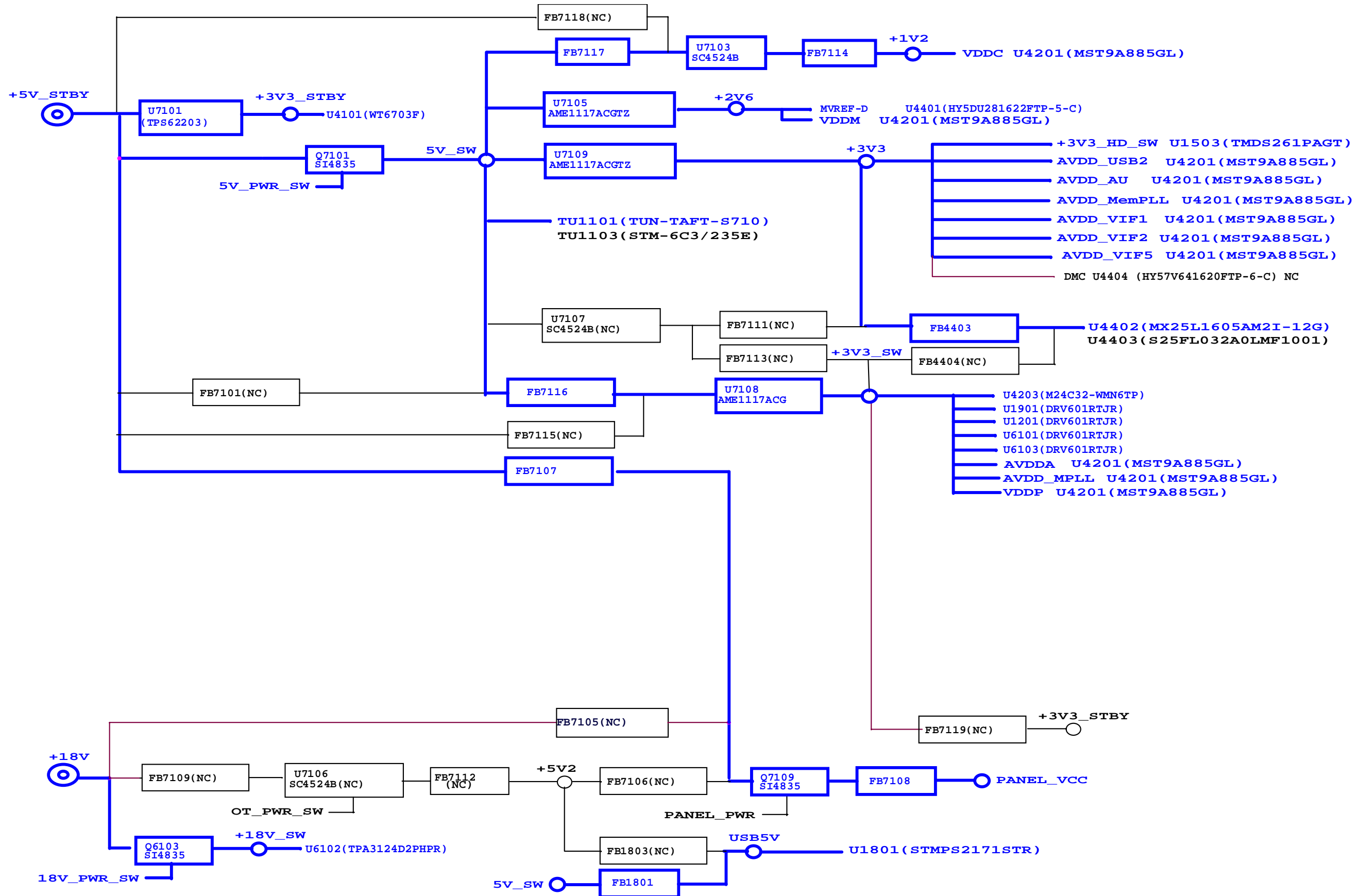
[1] 19" BLOCK DIAGRAM



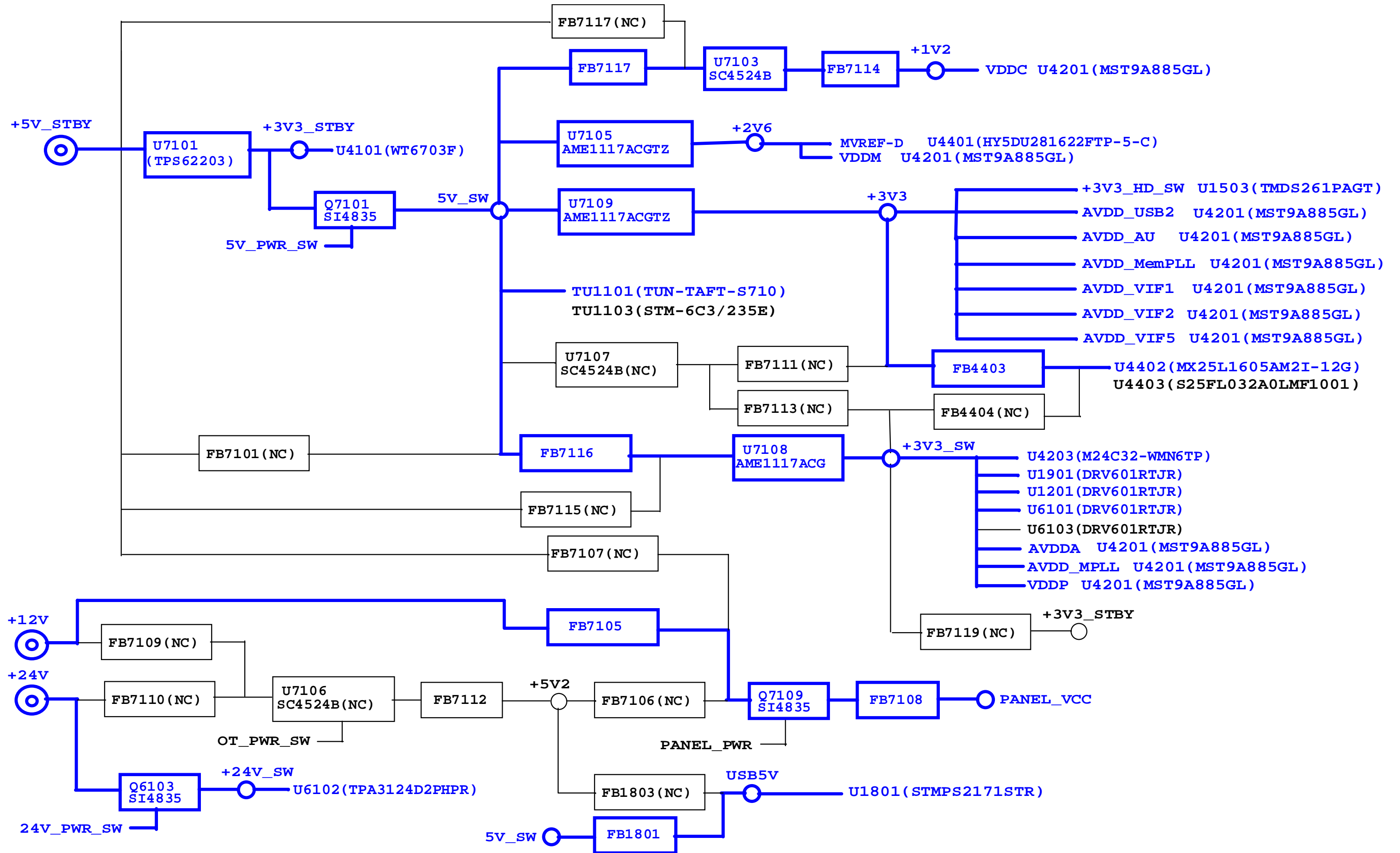
26" & 32" BLOCK DIAGRAM



[2] 19" Power Management

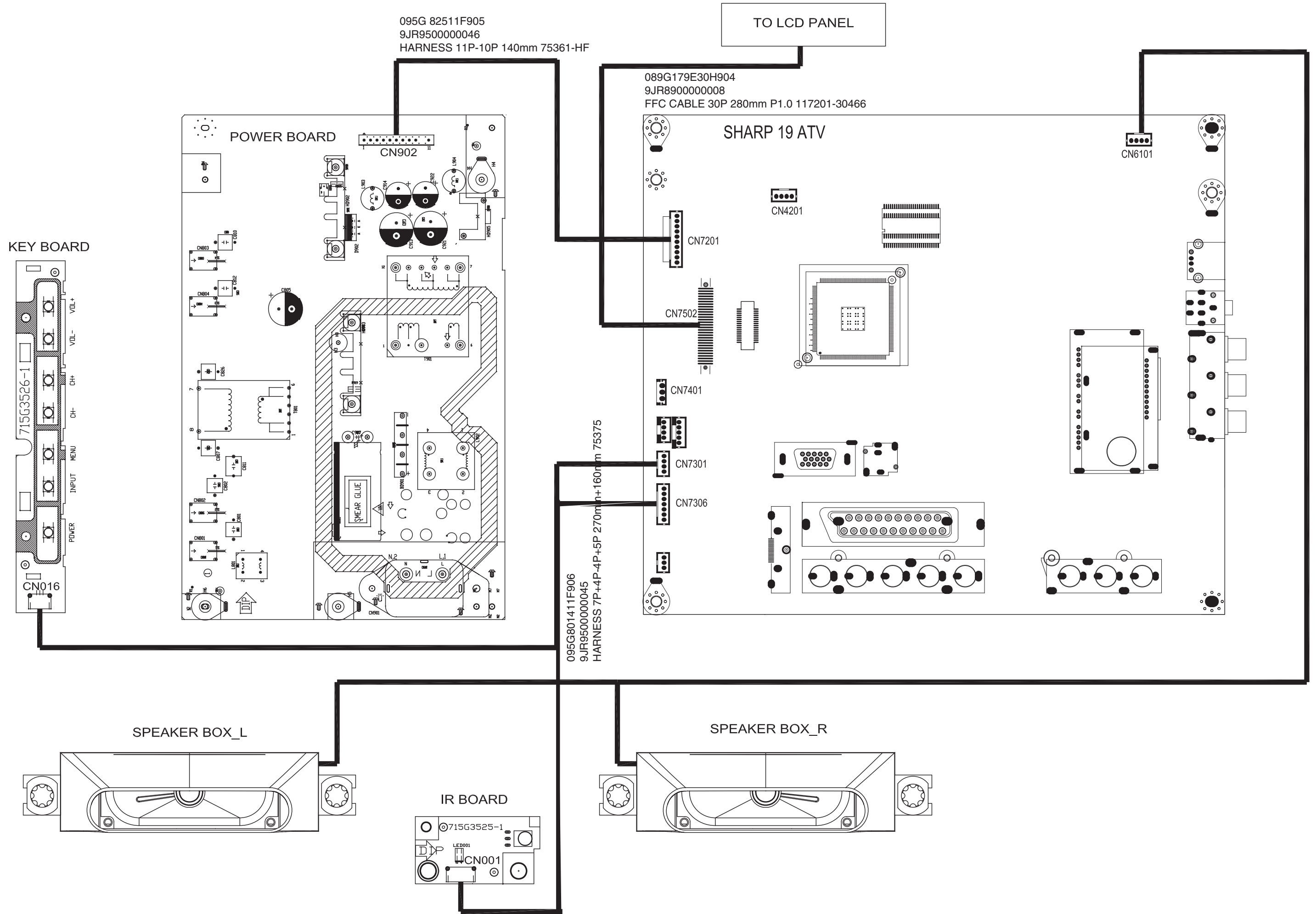


26" & 32" Power Management

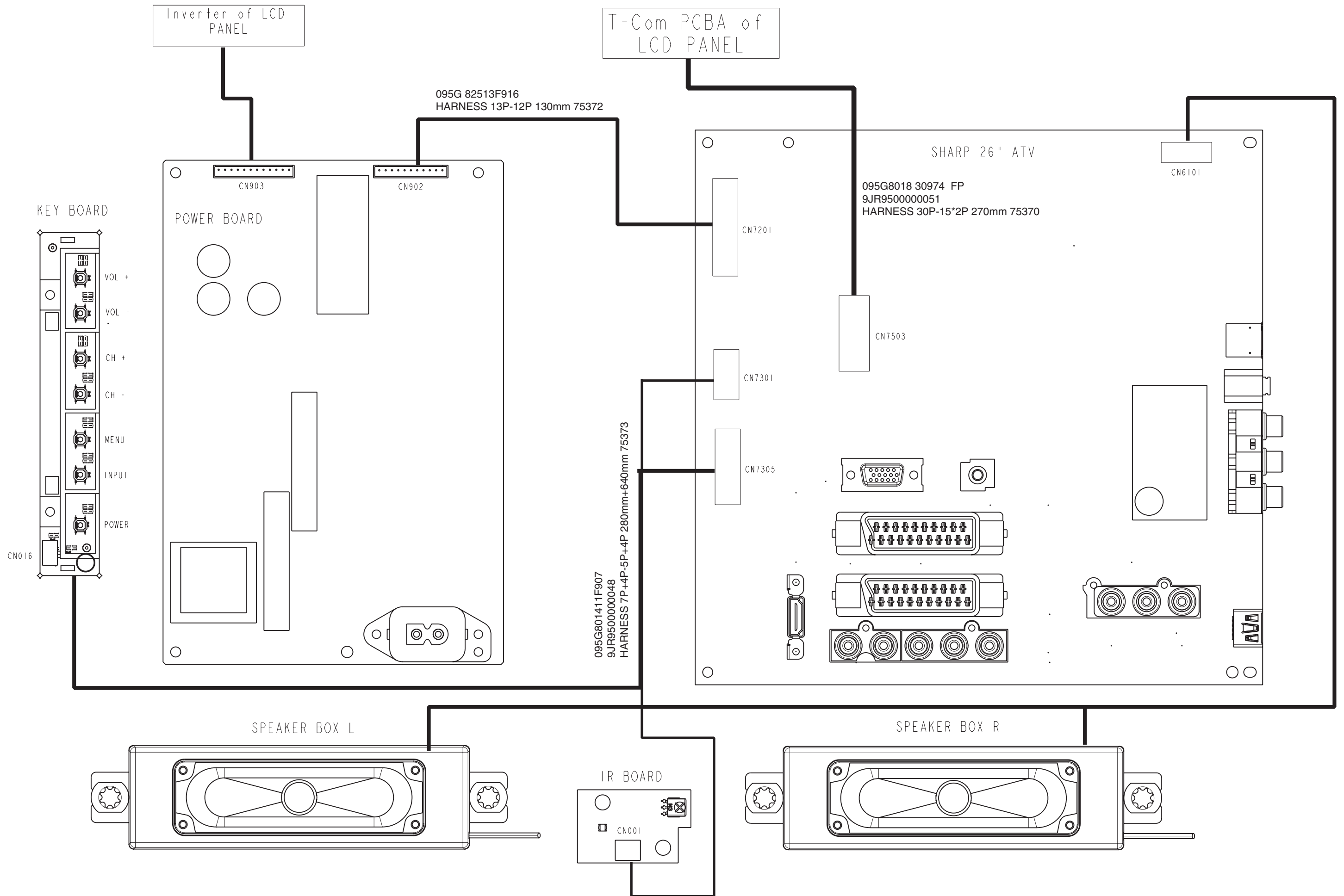




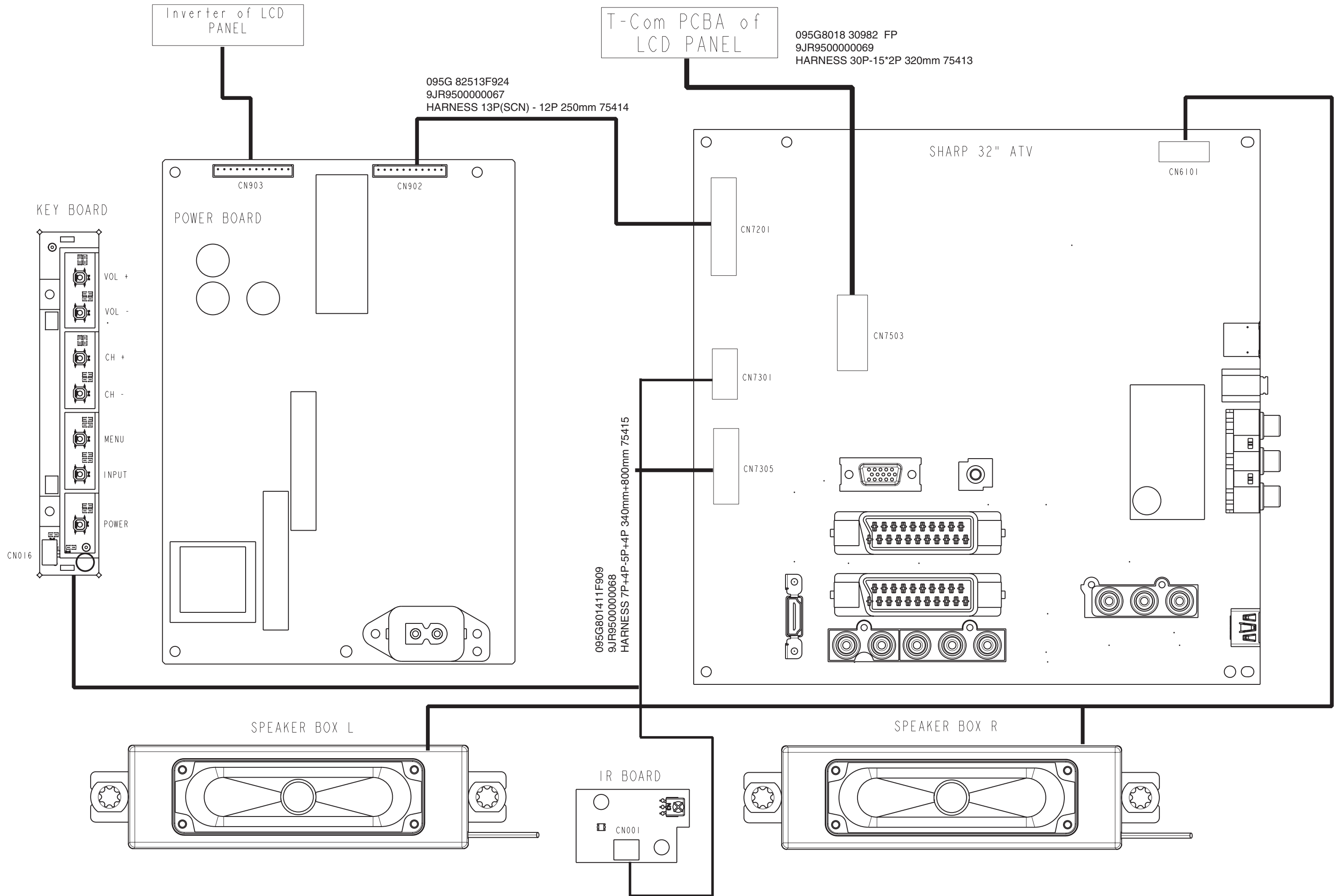
[3] WIRING DIAGRAM(19")



**WIRING DIAGRAM(26")**



WIRING DIAGRAM (32 ")



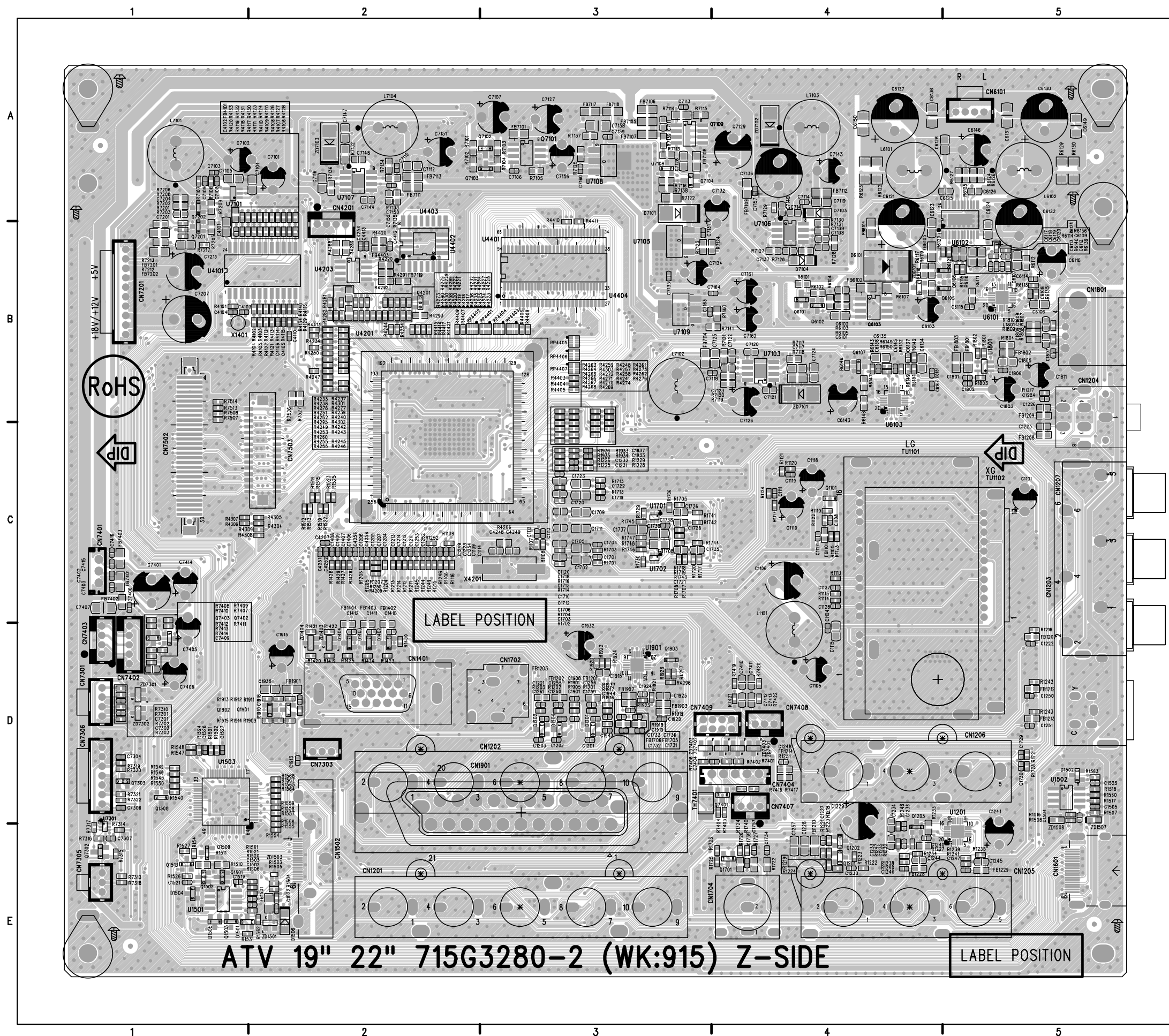
095G 82513F924  
9JR9500000067  
HARNESS 13P(SCN) - 12P 250mm 75414

095G8018 30982 FP  
9JR9500000069  
HARNESS 30P-15\*2P 320mm 75413

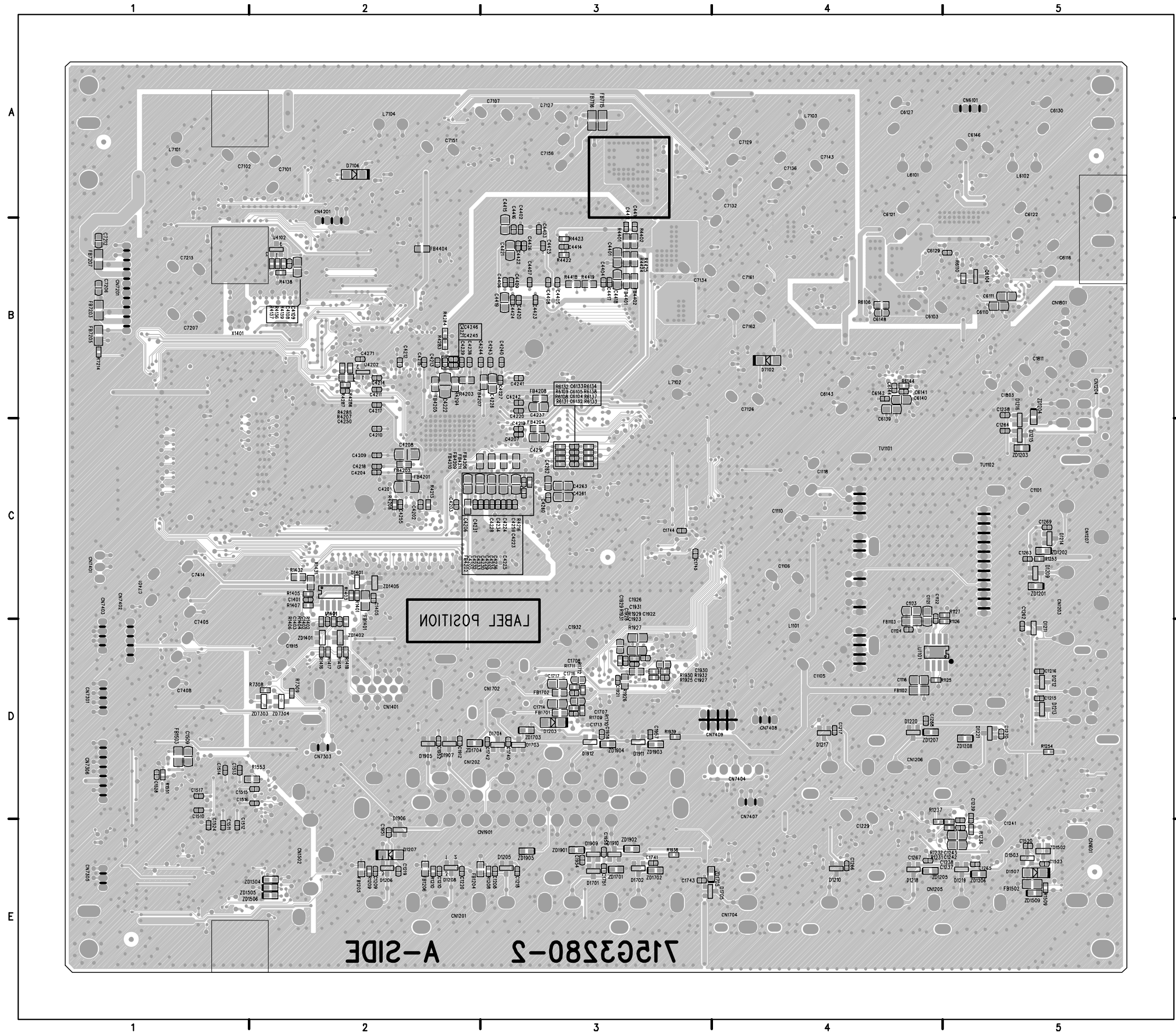
095G801411F909  
9JR9500000068  
HARNESS 7P+4P-5P+4P 340mm+800mm 75415

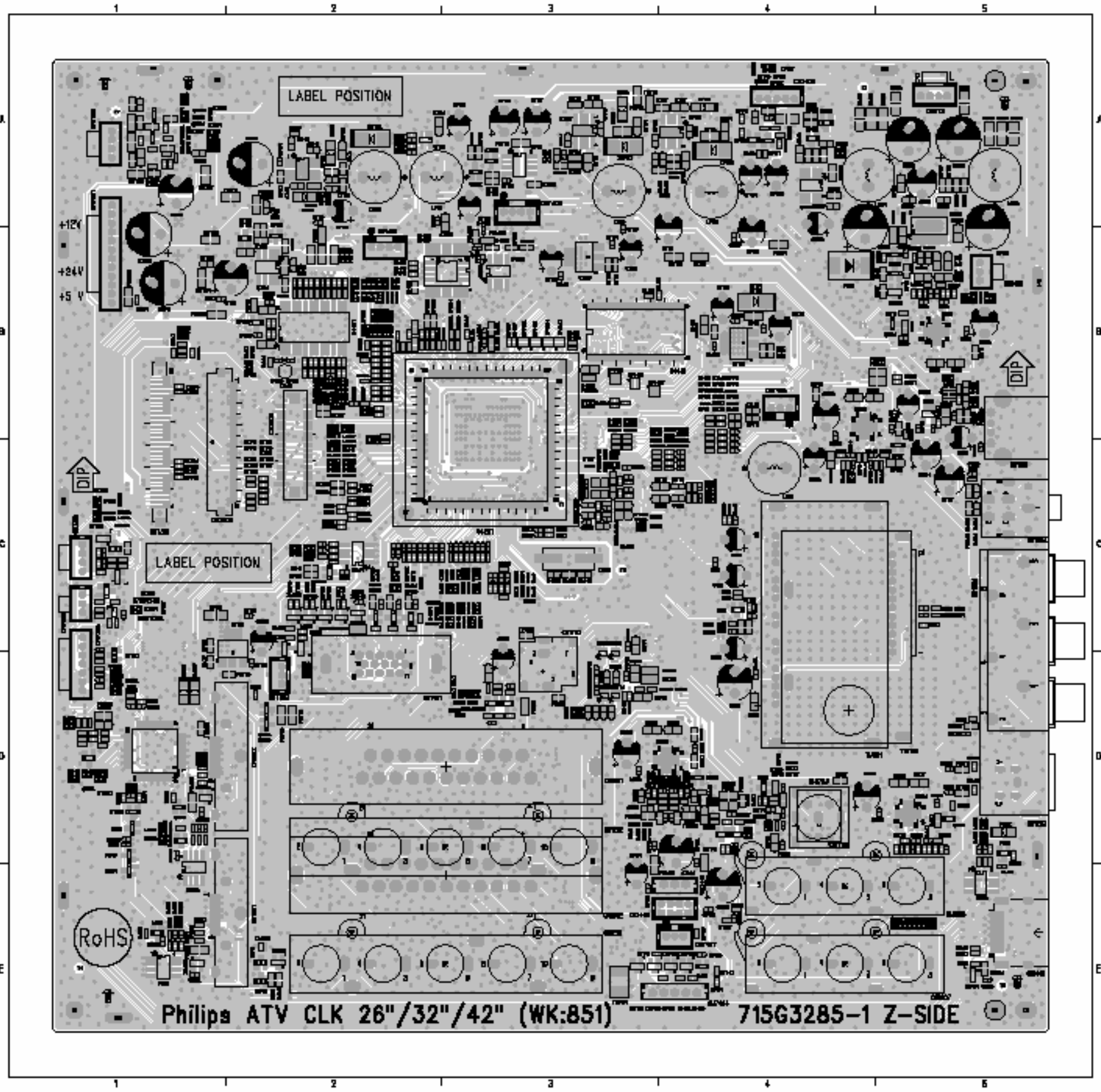
# CHAPTER 7. PRINTED WIRING BOARD

## [1] MAIN UNIT PRINTED WIRING BOARD MAIN UNIT(TOP SIDE)(19")



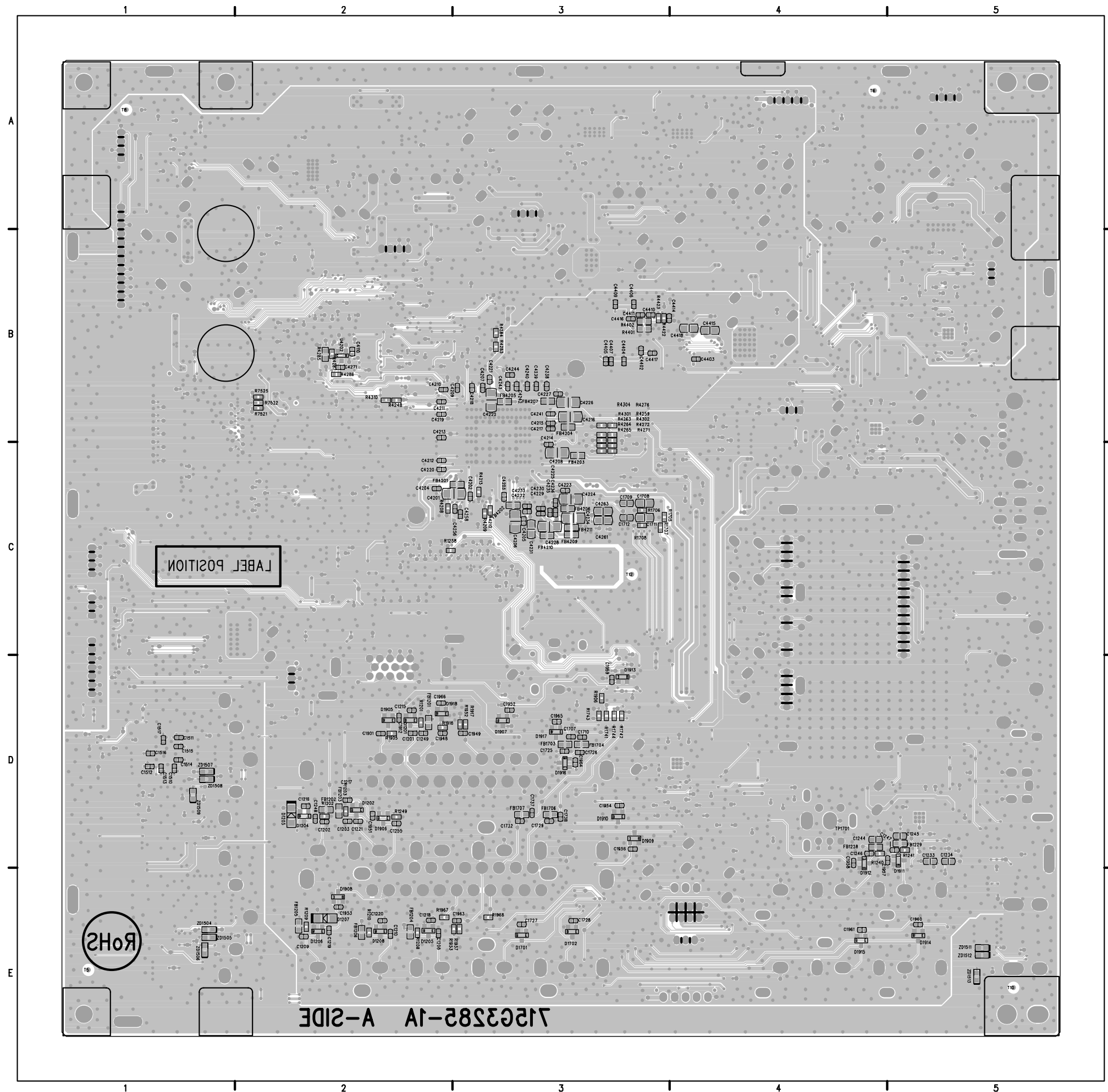
MAIN UNIT(BOTTON SIDE)(19")



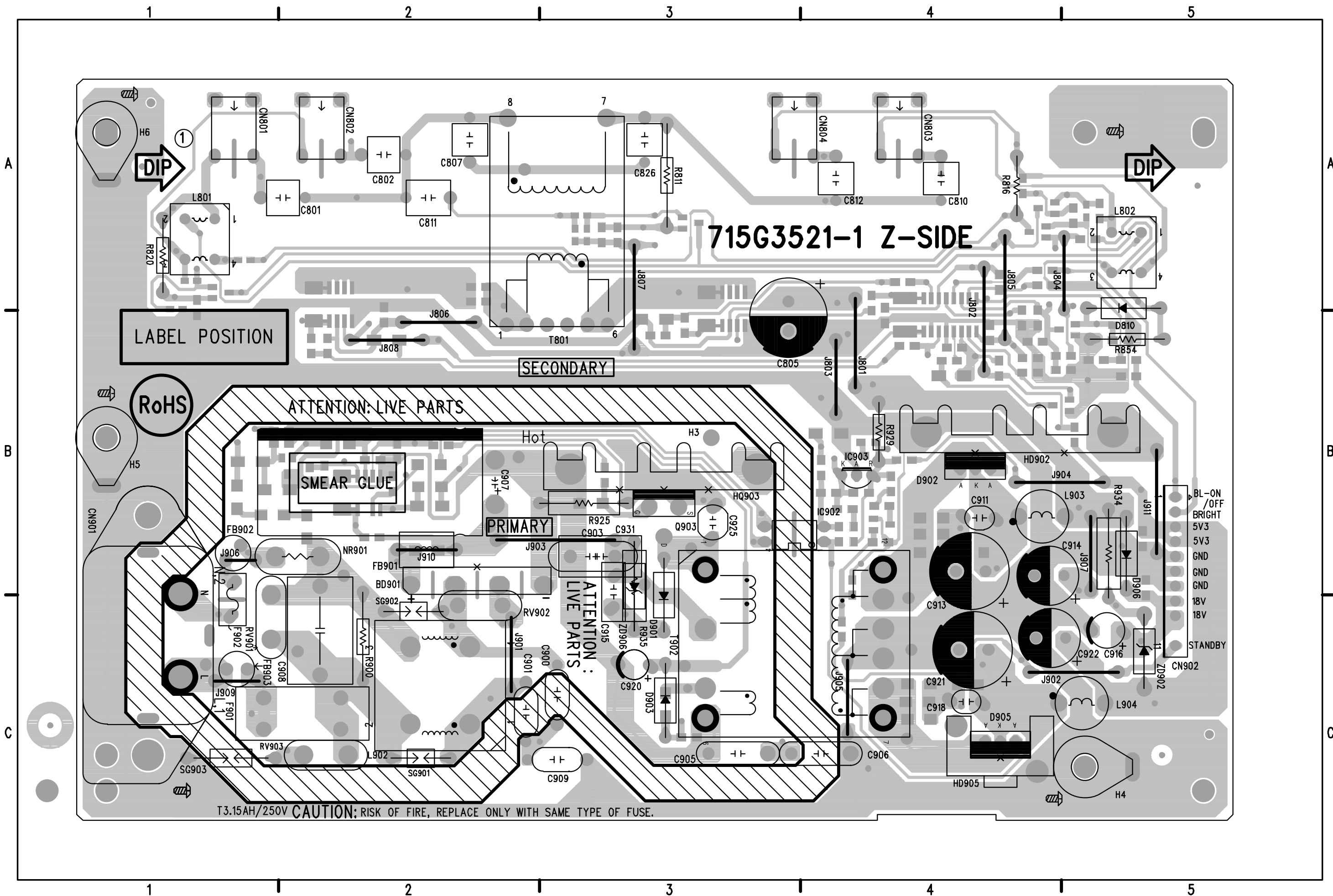


715G3285-1A Z-SIDE

MAIN UNIT(BOTTOM SIDE)(26"×32")

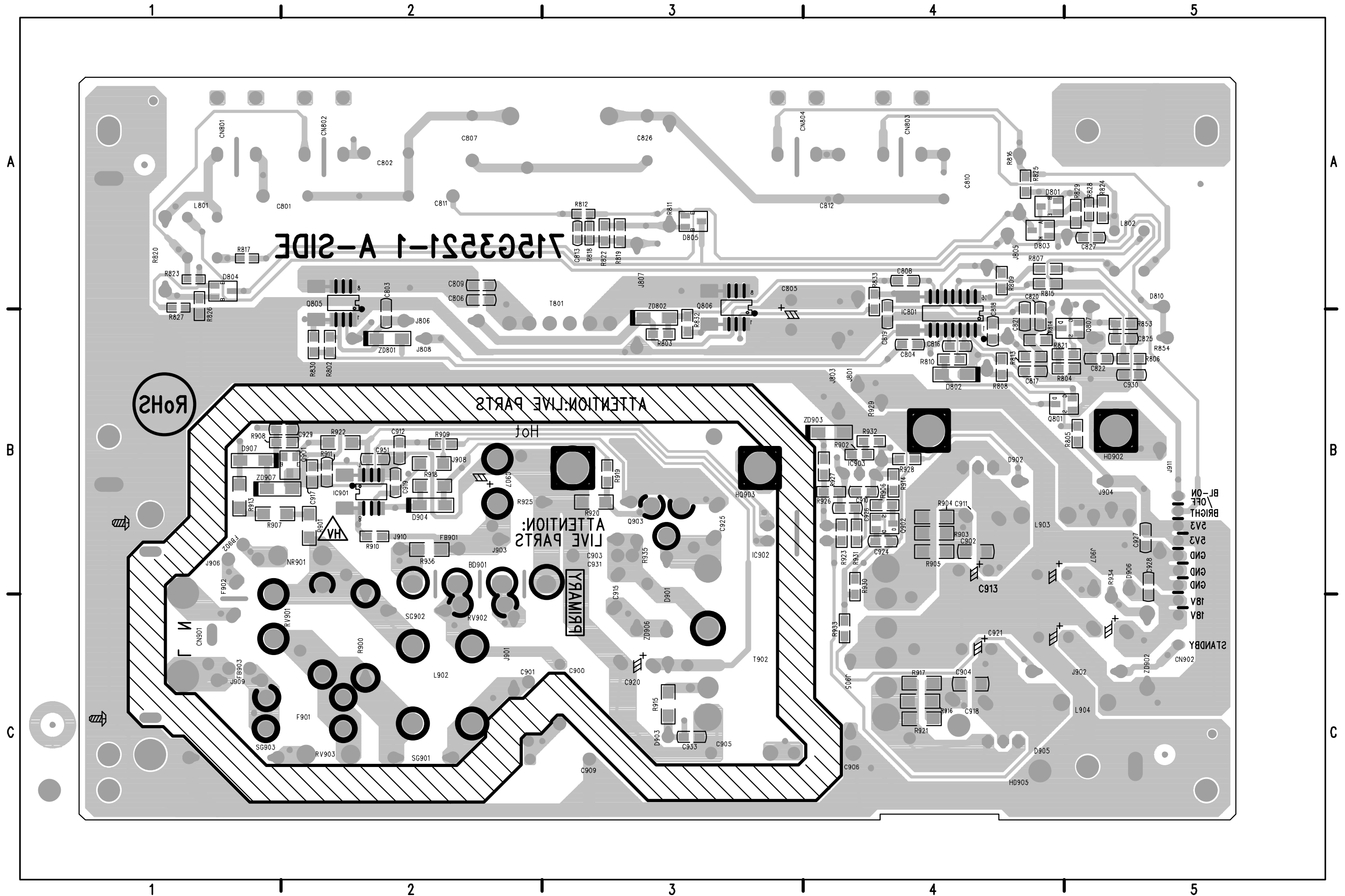


[2] POWER UNIT PRINTED WIRING BOARD  
POWER UNIT(TOP SIDE)(19")

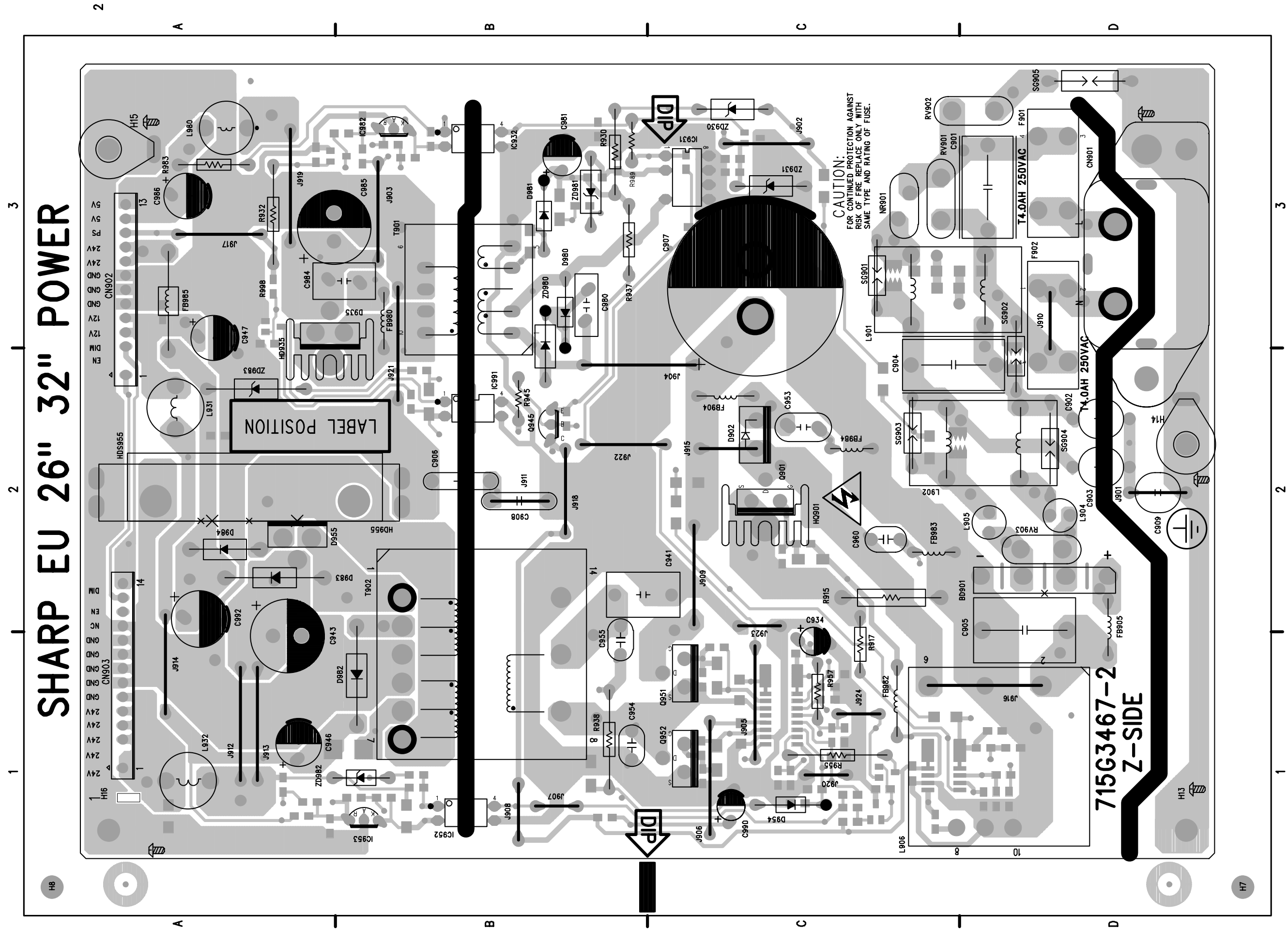


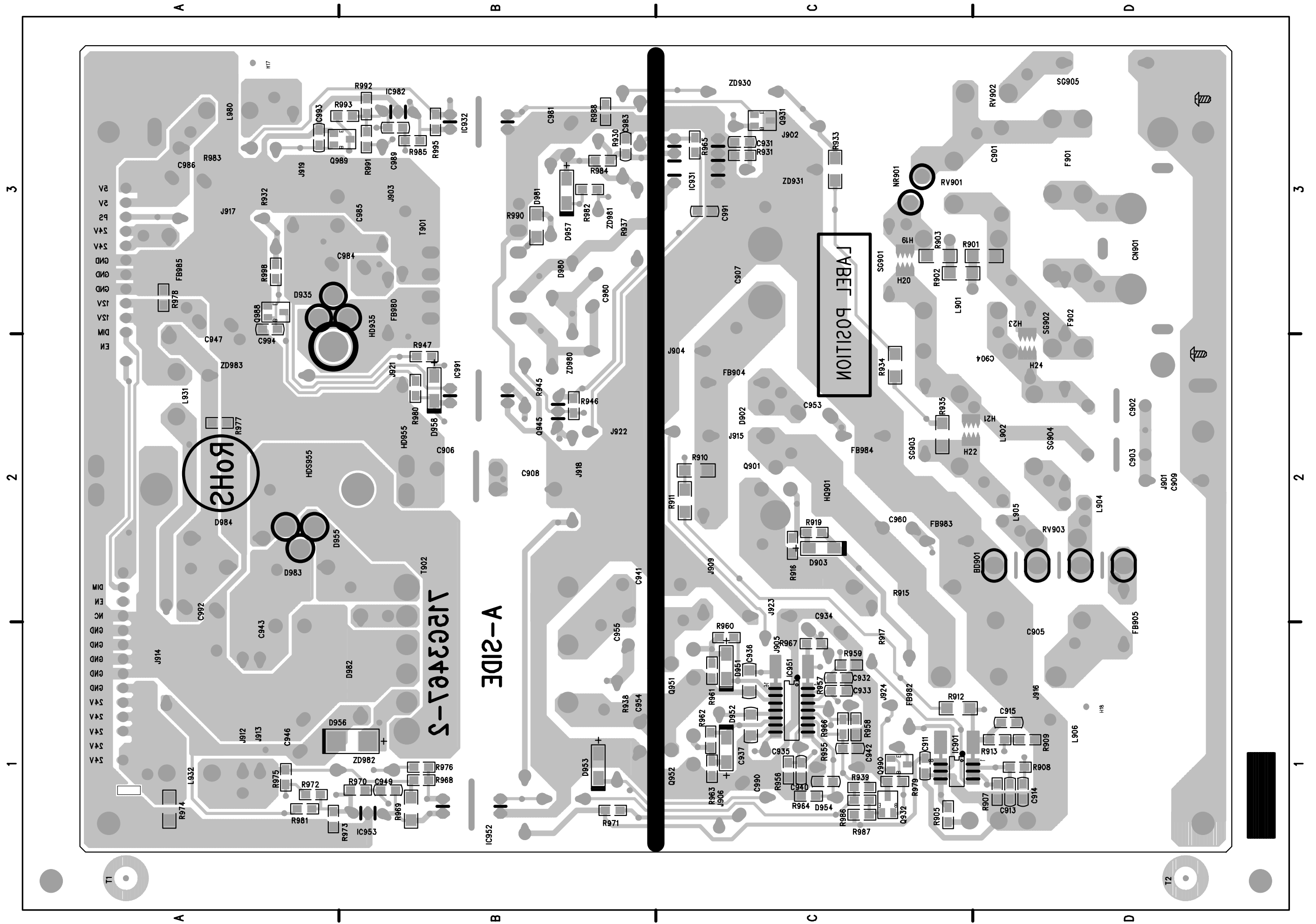


POWER UNIT(BOTTOM SIDE)(19")

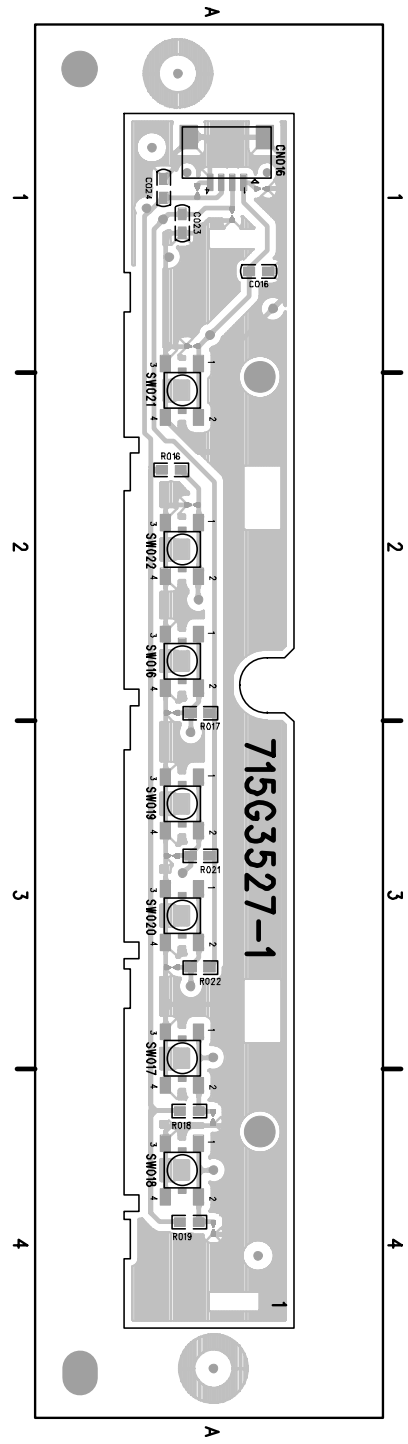


POWER UNIT(TOP SIDE)(26'&32'')

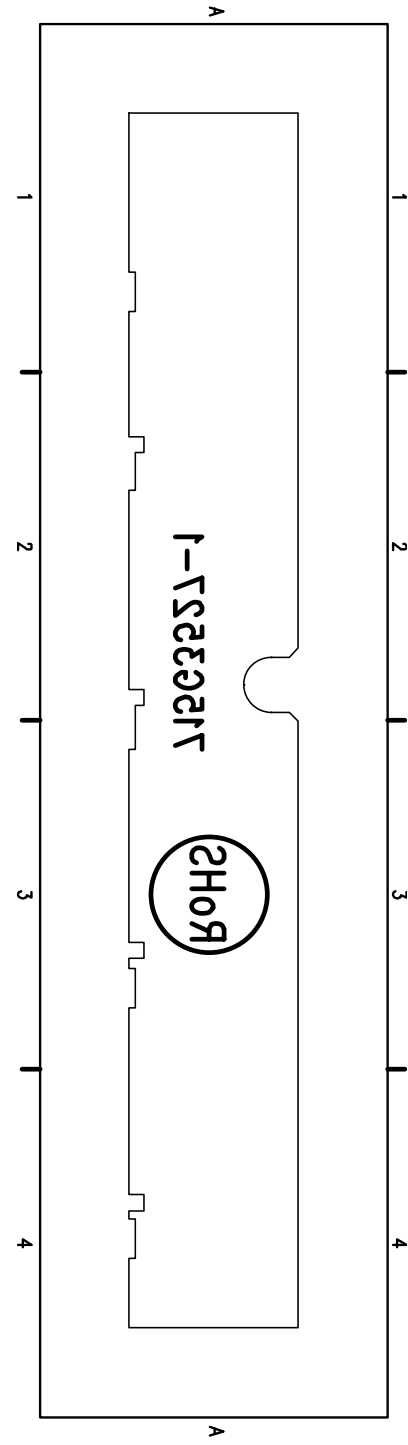




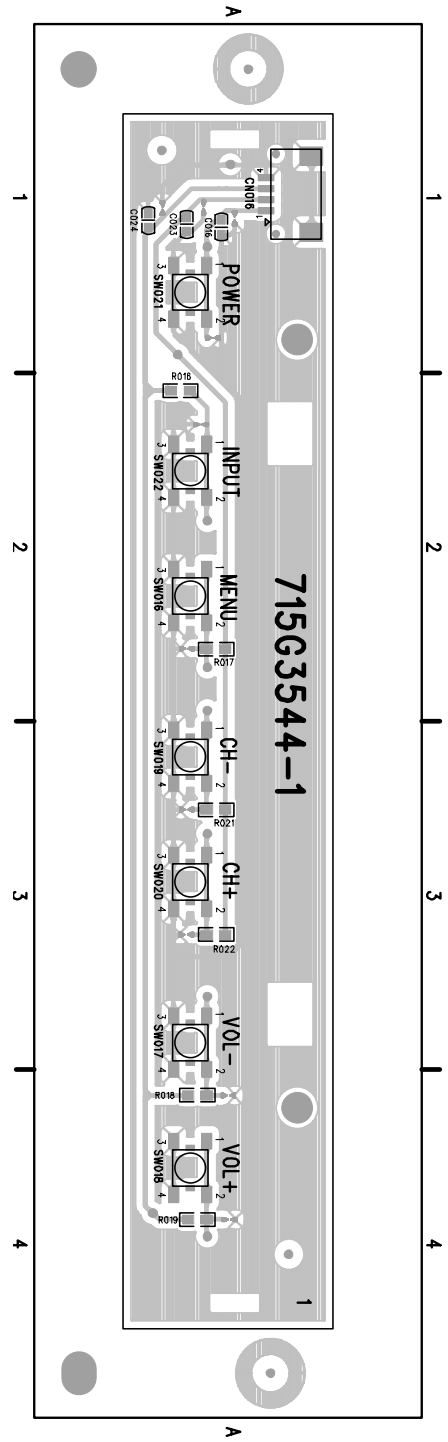
[3] KEY UNIT PRINTED WIRING BOARD  
KEY UNIT (TOP SDIE)(19")



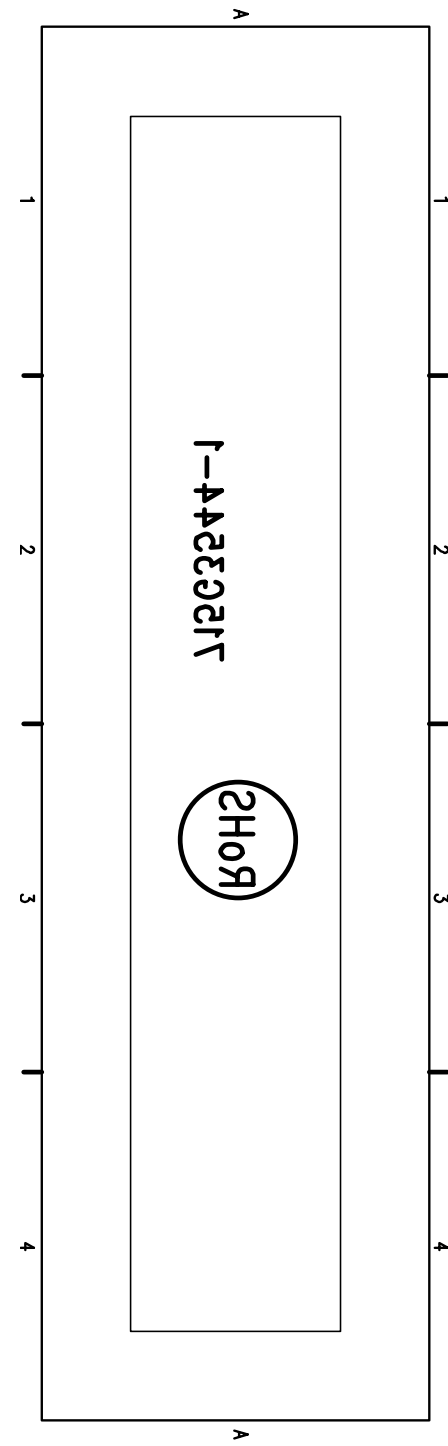
KEY UNIT (BOTTOM SIDE)(19")



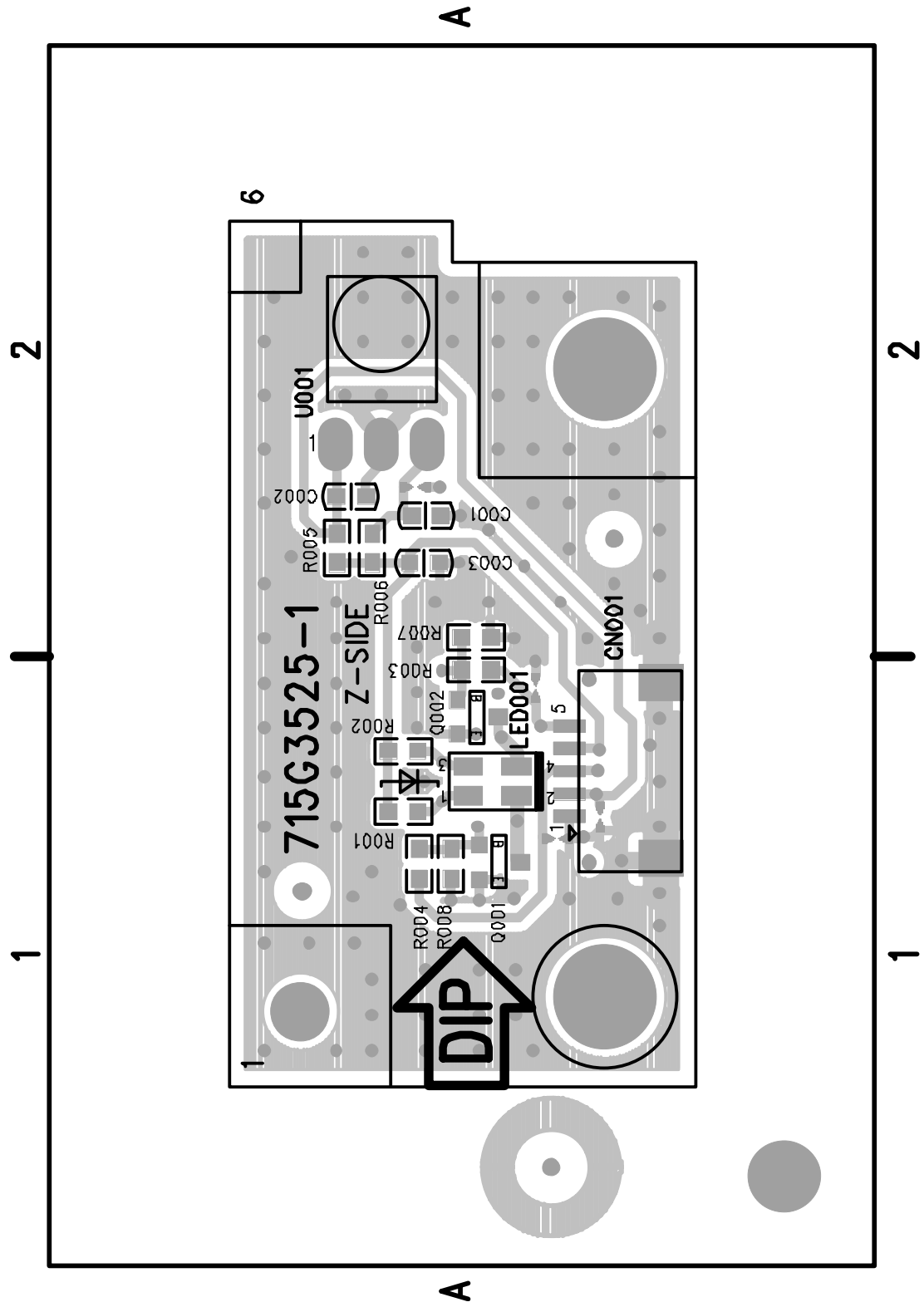
KEY UNIT (TOP SDIE)(26" & 32")



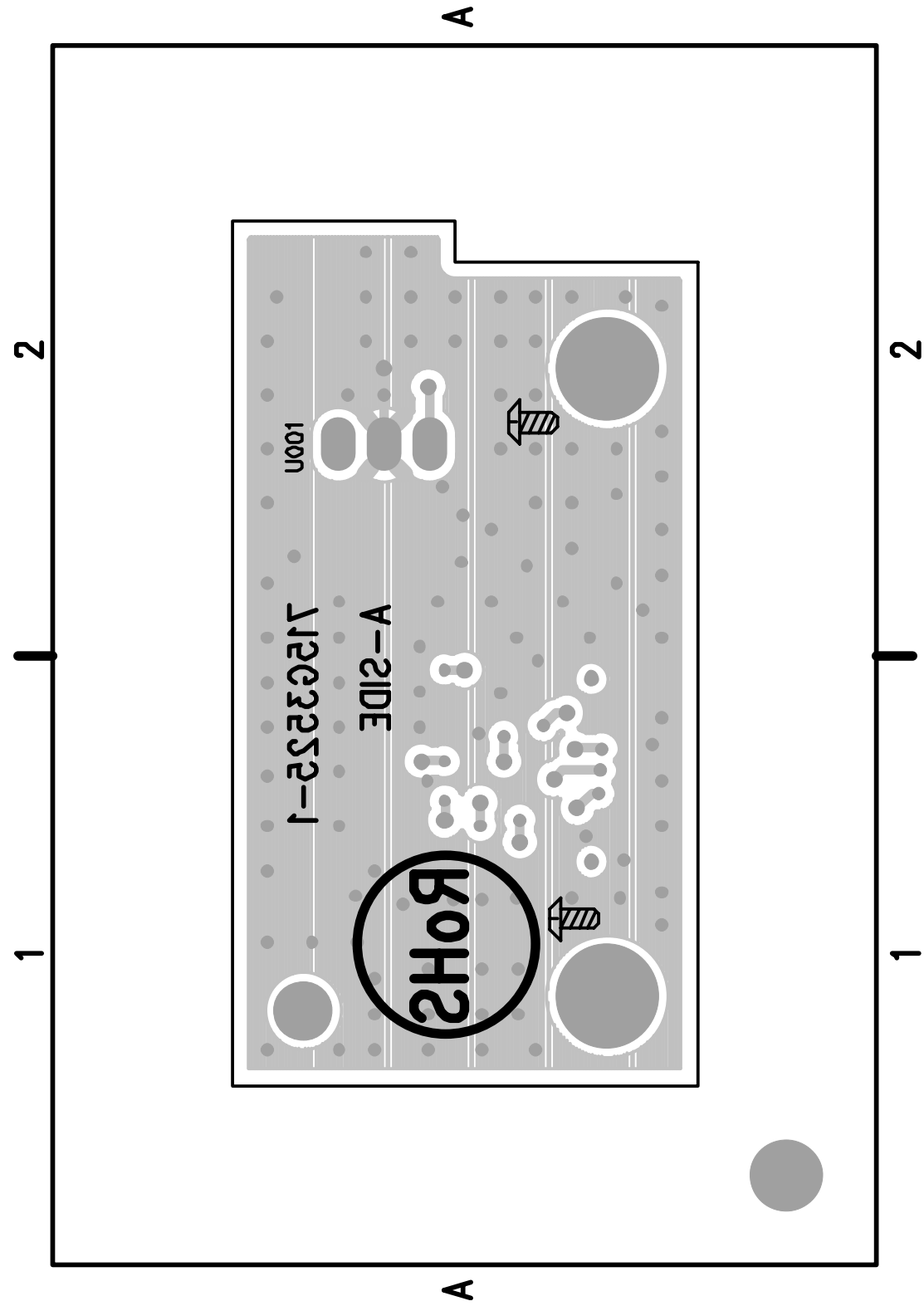
KEY UNIT (BOTTOM SIDE)(26" & 32")



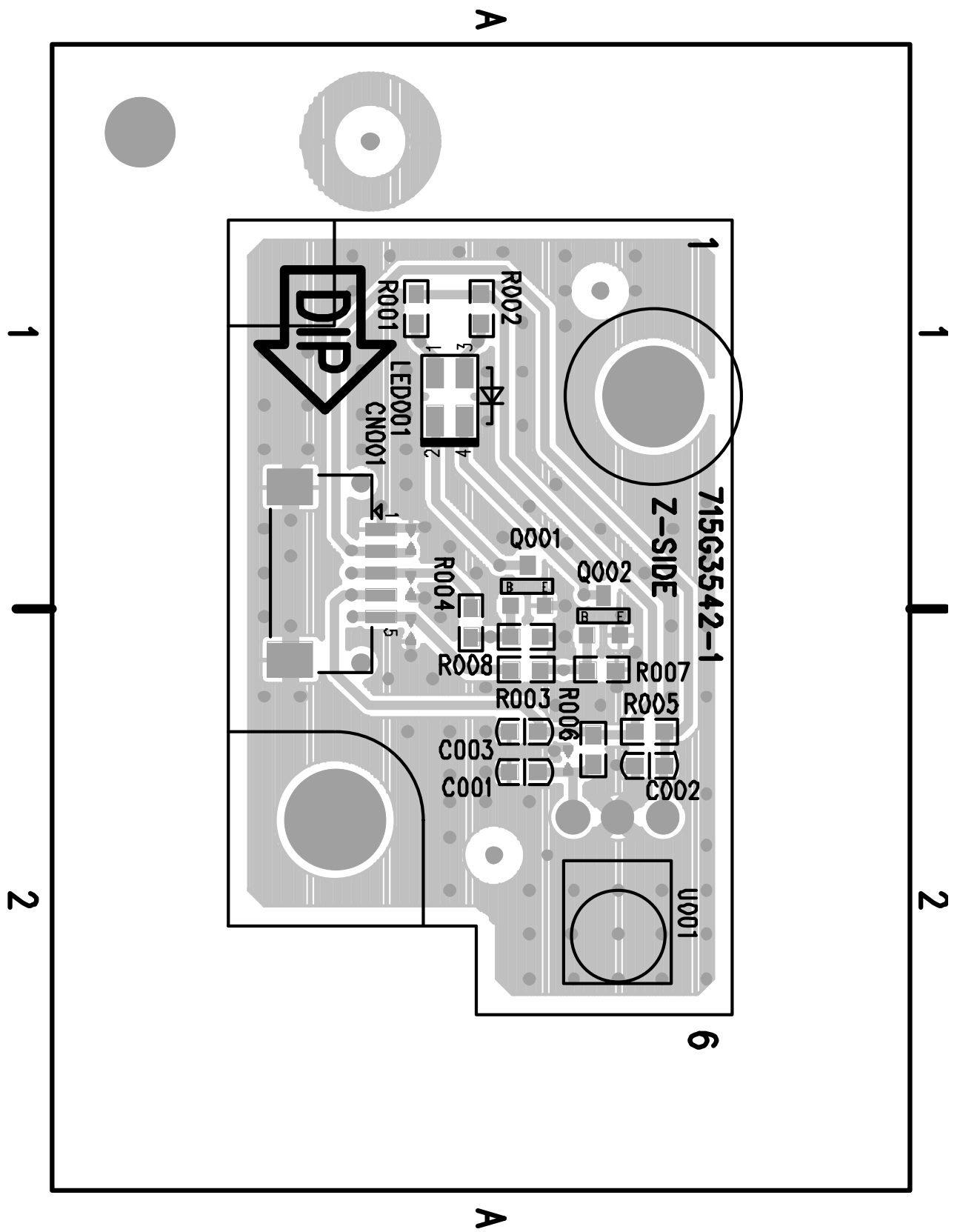
[4] IR UNIT PRINTED WIRING BOARD  
IR UNIT (TOP SIDE)(19")



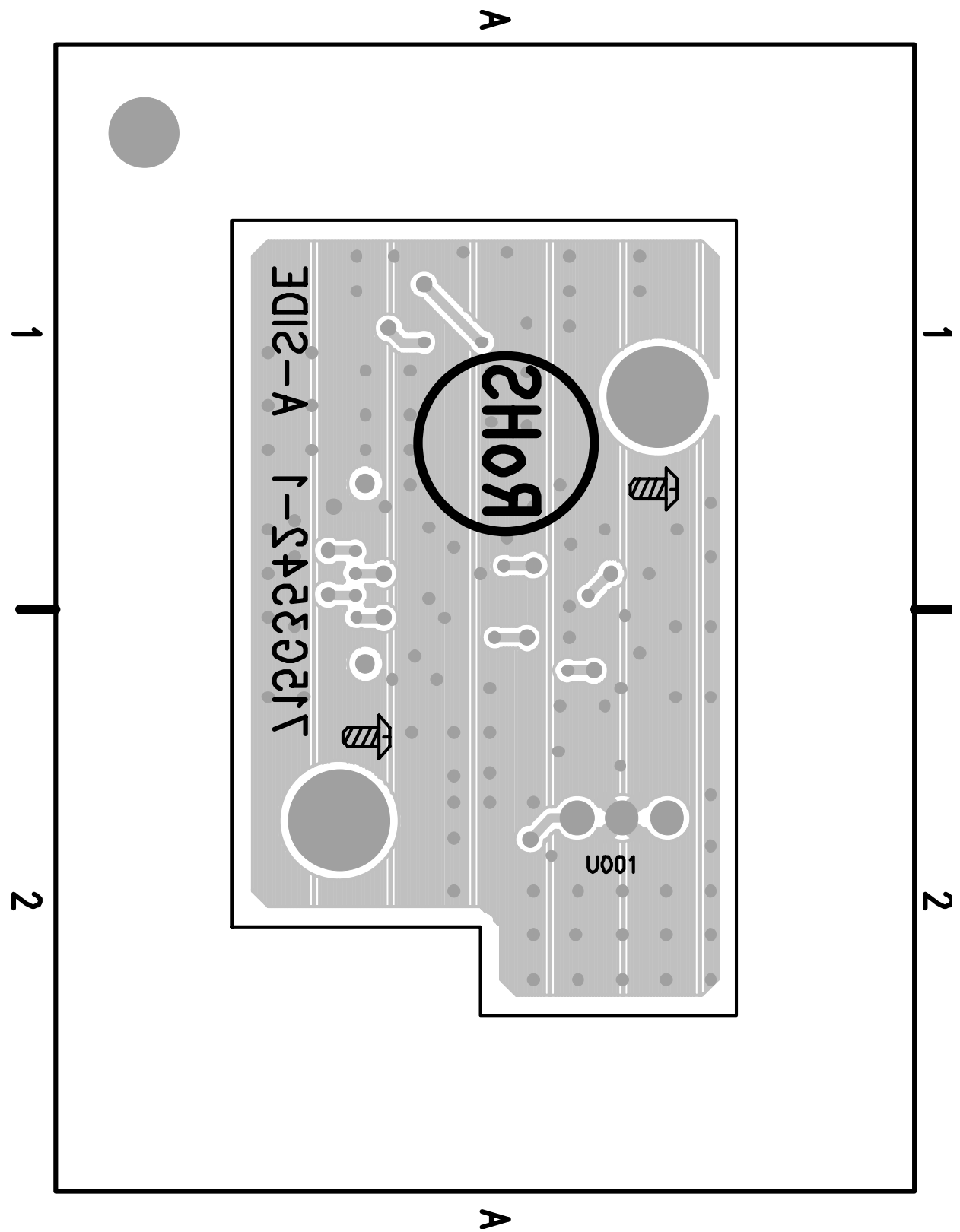
IR UNIT (BOTTOM SIDE)(19")



IR UNIT (TOP SIDE)(26" & 32")



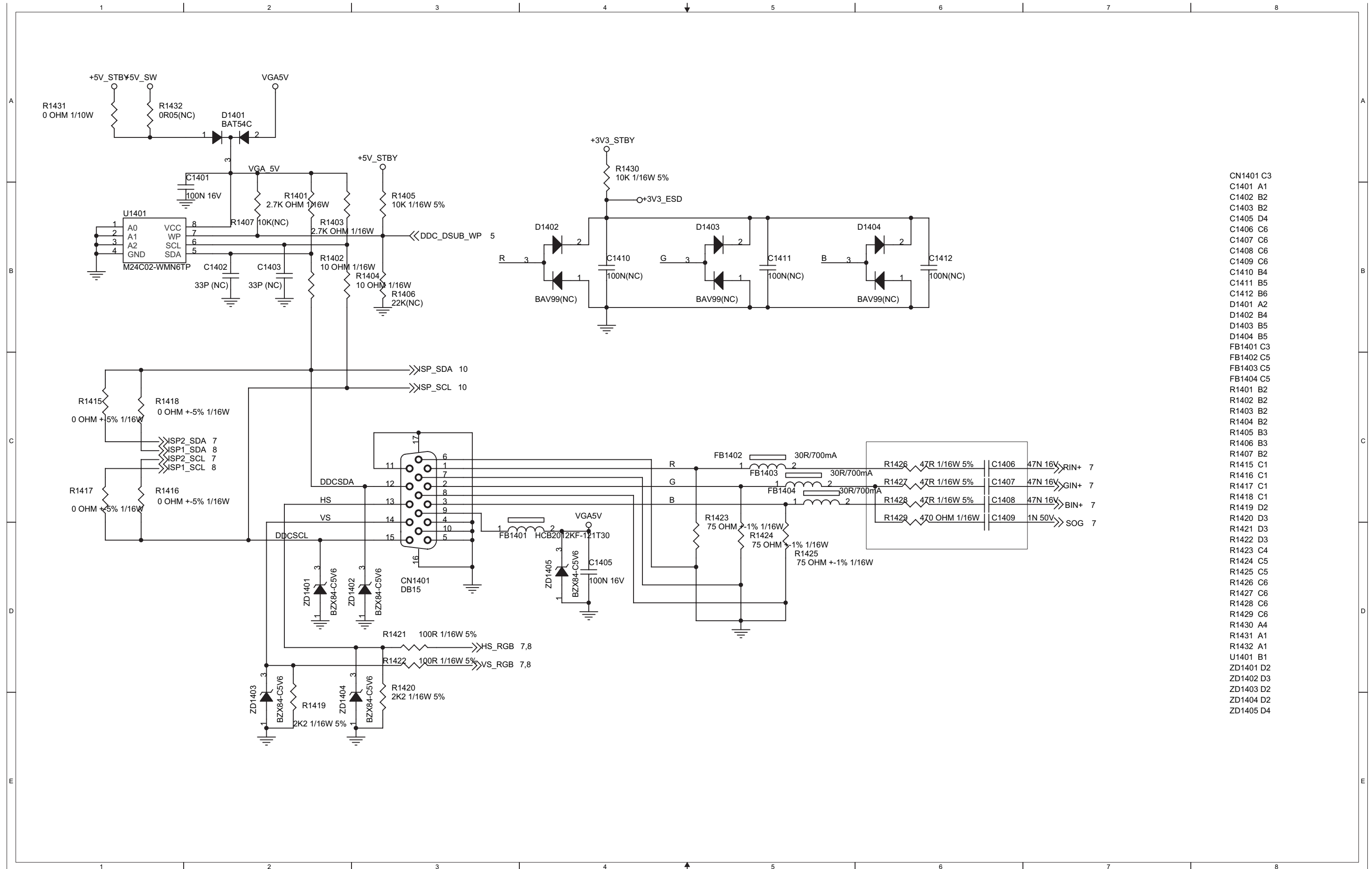
IR UNIT (BOTTOM SIDE)(26" & 32")



# CHAPTER 8. SCHEMATIC DIAGRAM

## [1] MAIN SCHEMATIC DIAGRAM(19")

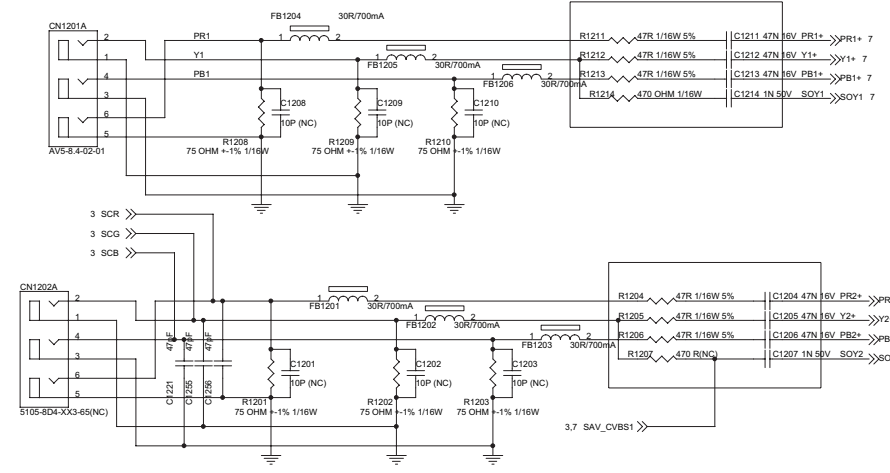
### 01. D-SUB INPUT



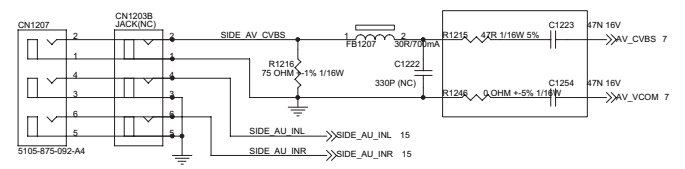
- CN1401 C3
- C1401 A1
- C1402 B2
- C1403 B2
- C1405 D4
- C1406 C6
- C1407 C6
- C1408 C6
- C1409 C6
- C1410 B4
- C1411 B5
- C1412 B6
- D1401 A2
- D1402 B4
- D1403 B5
- D1404 B5
- FB1401 C3
- FB1402 C5
- FB1403 C5
- FB1404 C5
- R1401 B2
- R1402 B2
- R1403 B2
- R1404 B2
- R1405 B3
- R1406 B3
- R1407 B2
- R1415 C1
- R1416 C1
- R1417 C1
- R1418 C1
- R1419 D2
- R1420 D3
- R1421 D3
- R1422 D3
- R1423 C4
- R1424 C5
- R1425 C5
- R1426 C6
- R1427 C6
- R1428 C6
- R1429 C6
- R1430 A4
- R1431 A1
- R1432 A1
- U1401 B1
- ZD1401 D2
- ZD1402 D3
- ZD1403 D2
- ZD1404 D2
- ZD1405 D4



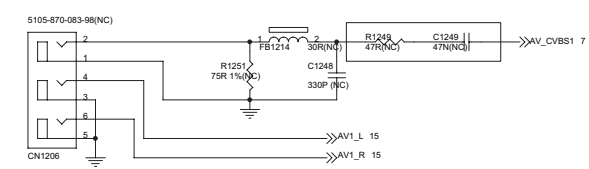
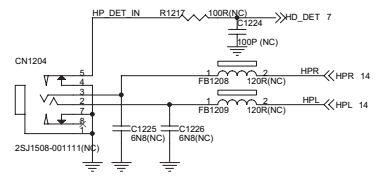
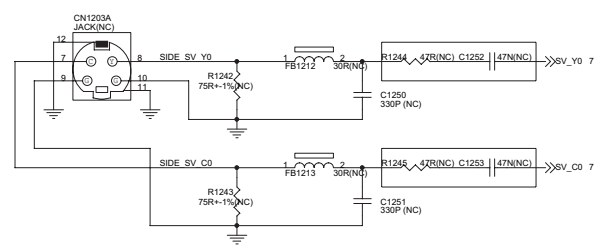
02. VIDEO INPUT AND CVBS OUTPUT



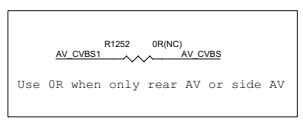
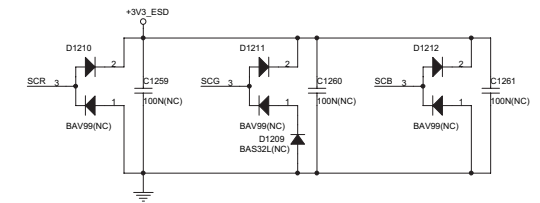
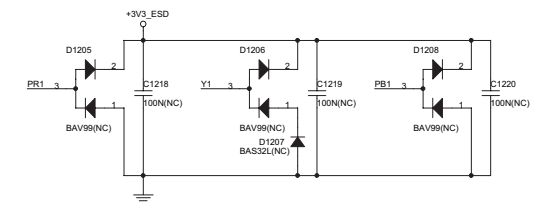
AP/China : C1221 C1255 C1256 NC  
EU : R1207 NC



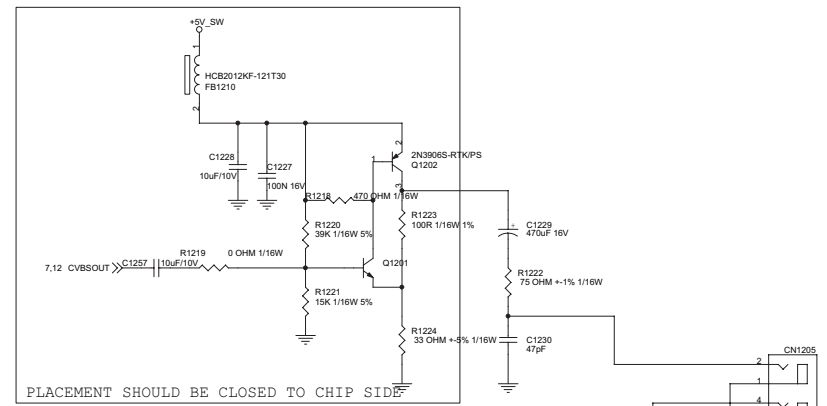
Without S-video: CN1203 NC  
With S-video: CN1207 NC



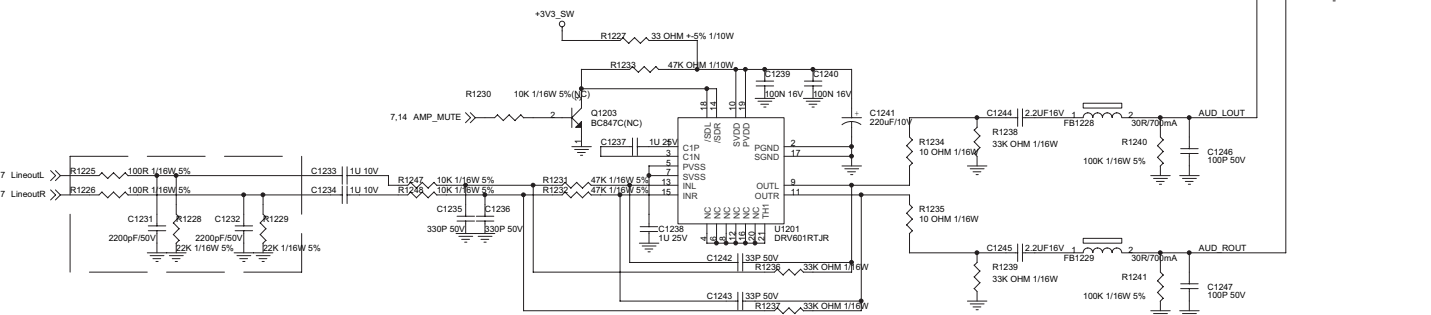
PHILIPS AP/China : CN1203 CN1207 NC  
PHILIPS EU : CN1203 CN1206 NC



CVBS OUT

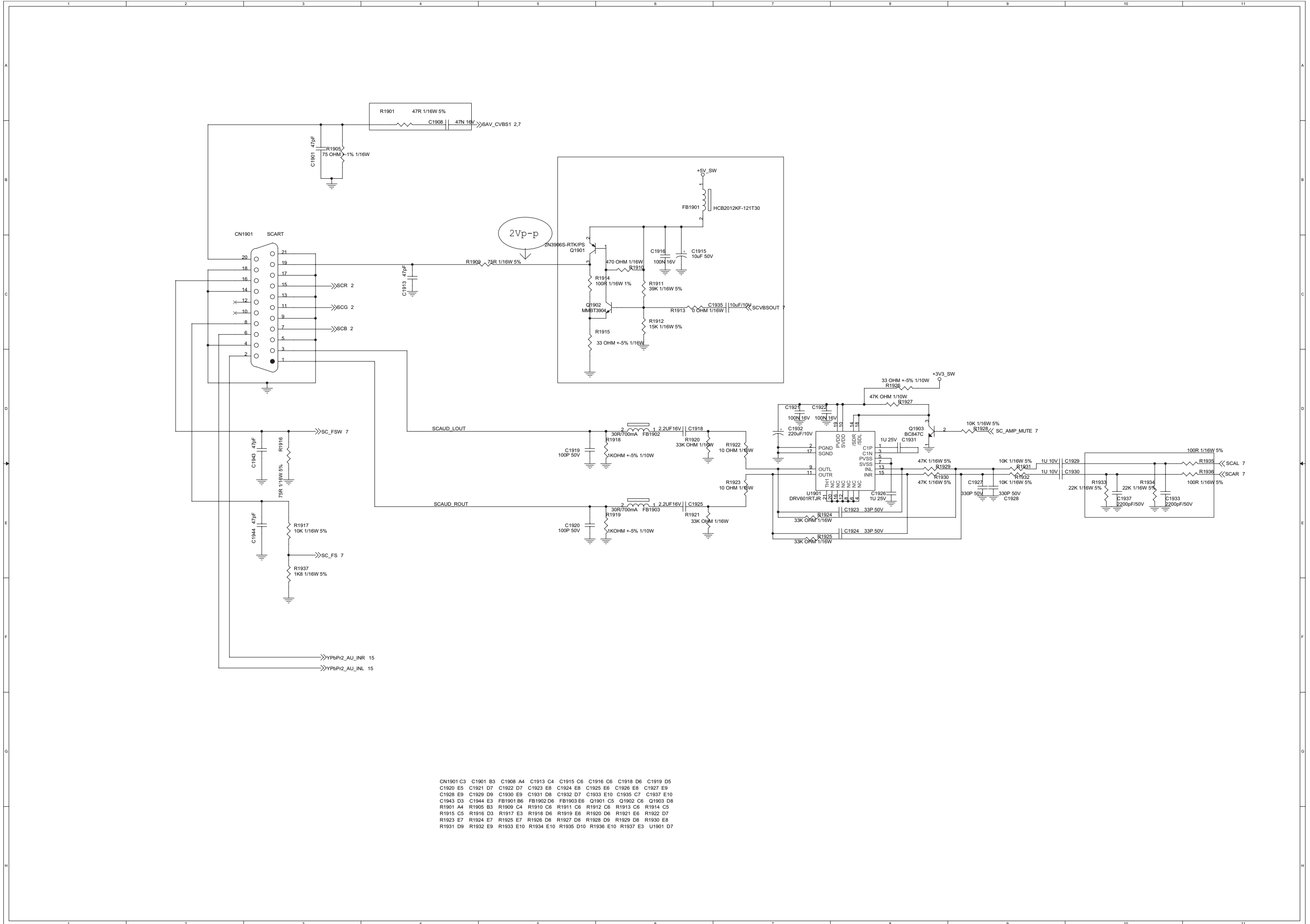


PLACEMENT SHOULD BE CLOSED TO CHIP SIDE



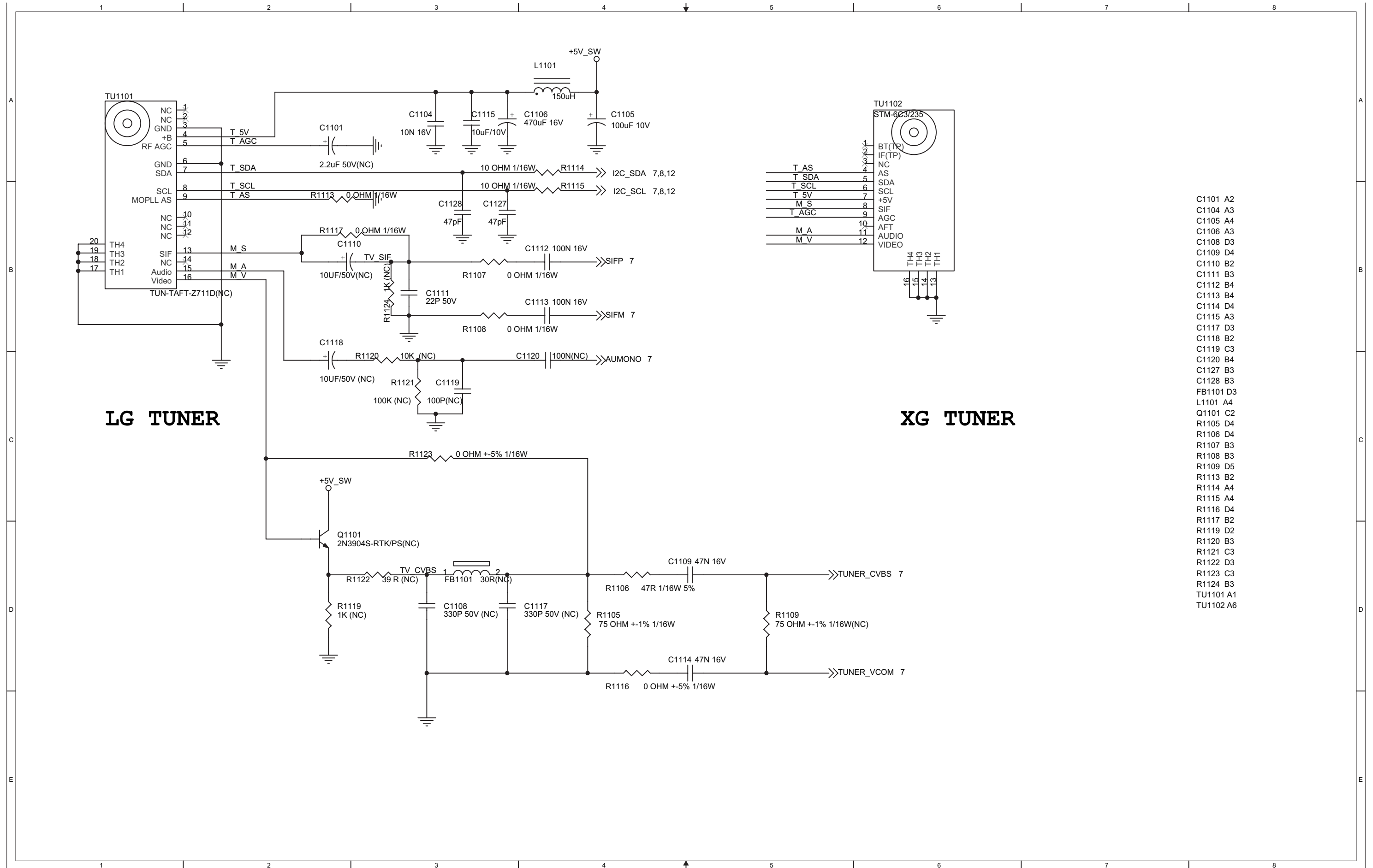
- N1201A A1
- N1202A B1
- N1203A D2
- N1203B C2
- CN1204 F2
- CN1205 E10
- CN1206 G1
- CN1207 C1
- C1201 B2
- C1202 B3
- C1203 B3
- C1204 B4
- C1205 B4
- C1206 B4
- C1207 B4
- C1208 A2
- C1209 A3
- C1210 A3
- C1211 A4
- C1212 A4
- C1213 A4
- C1214 A4
- C1215 A4
- C1216 A8
- C1217 A8
- C1218 A8
- C1219 A8
- C1220 A9
- C1221 B2
- C1222 C3
- C1223 C3
- C1224 F2
- C1225 F2
- C1226 F2
- C1227 E8
- C1228 E8
- C1229 E9
- C1230 E9
- C1231 G5
- C1232 G6
- C1233 G6
- C1234 G6
- C1235 G6
- C1236 G7
- C1237 G7
- C1238 G7
- C1239 F8
- C1240 F8
- C1241 G8
- C1242 G8
- C1243 G8
- C1244 G9
- C1245 G9
- C1246 G10
- C1247 G10
- C1248 D3
- C1249 G3
- C1250 E3
- C1251 E3
- C1252 D3
- C1253 E3
- C1254 C3
- C1255 B2
- C1256 B2
- C1257 E8
- C1258 B7
- C1260 B8
- C1261 B9
- D1205 A7
- D1206 A8
- D1207 A8
- D1208 A9
- D1209 C8
- D1210 B7
- D1211 B8
- D1212 B9
- FB1201 B2
- FB1202 B3
- FB1203 B3
- FB1204 A2
- FB1205 A3
- FB1206 A3
- FB1207 C3
- FB1208 F2
- FB1209 F2
- FB1210 D8
- FB1212 D2
- FB1213 E2
- FB1214 G2
- FB1228 G9
- FB1229 G9
- Q1201 E9
- Q1202 E9
- Q1203 G7
- R1201 B2
- R1202 B3
- R1203 B3
- R1204 B4
- R1205 B4
- R1206 B4
- R1207 B4
- R1208 A2
- R1209 A2
- R1210 A3
- R1211 A4
- R1212 A4
- R1213 A4
- R1214 A4
- R1215 C3
- R1216 C2
- R1217 E2
- R1218 E8
- R1219 E8
- R1220 E8
- R1221 E8
- R1222 E9
- R1223 E9
- R1224 E9
- R1225 G5
- R1226 G5
- R1227 F7
- R1228 G5
- R1229 G6
- R1230 G7
- R1231 G7
- R1232 G7
- R1233 G7
- R1234 G8
- R1235 G8
- R1236 G8
- R1237 G8
- R1238 G8
- R1239 G9
- R1240 G9
- R1241 G9
- R1242 G2
- R1243 E2
- R1244 D3
- R1245 E3
- R1246 C3
- R1247 G6
- R1248 G6
- R1249 G3
- R1252 C8
- U1201 G7

03. SCART

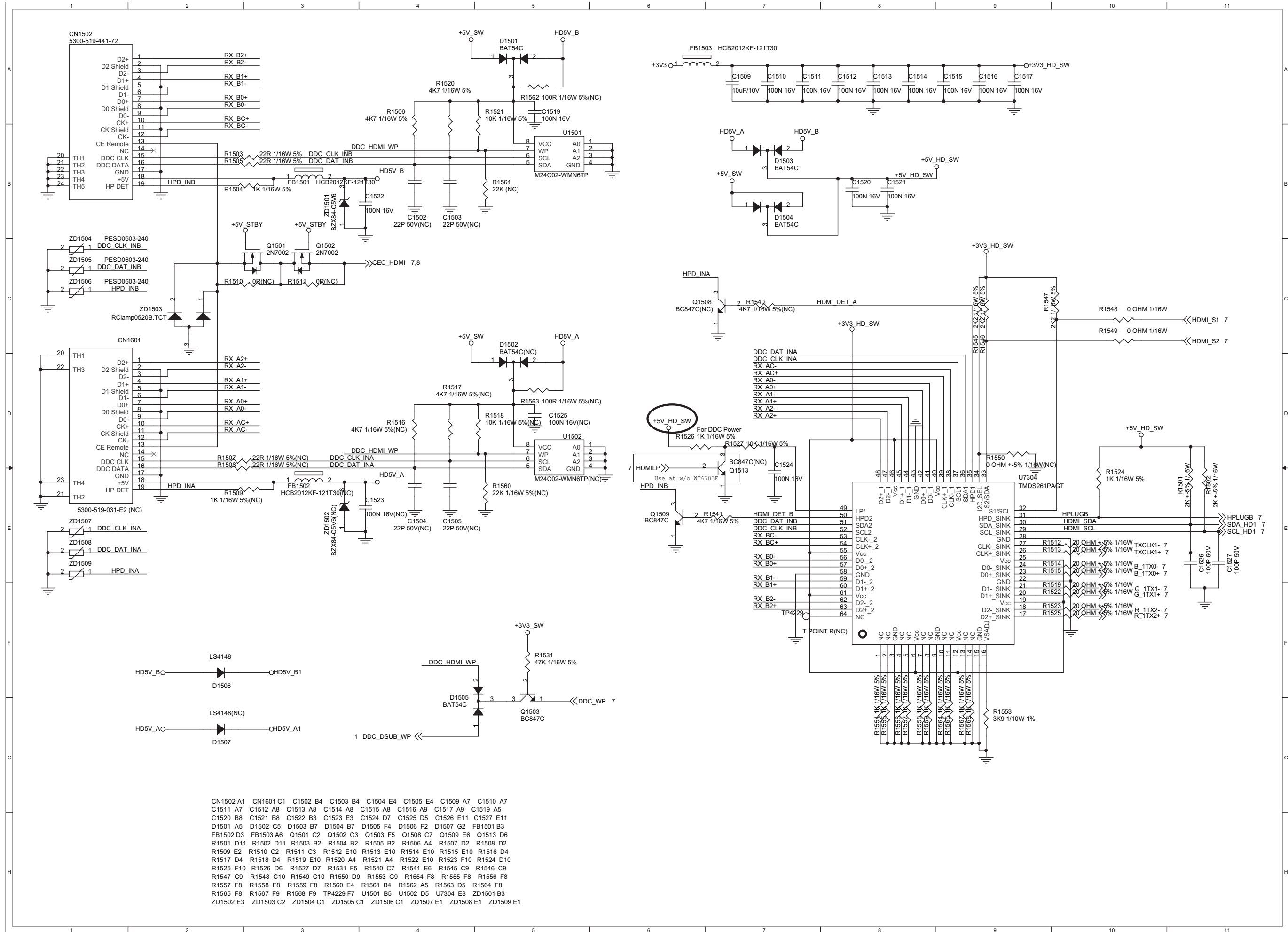


- CN1901 C3 C1901 B3 C1908 A4 C1913 C4 C1915 C6 C1916 C6 C1918 D6 C1919 D5
- C1920 E5 C1921 D7 C1922 D7 C1923 E8 C1924 E8 C1925 E6 C1926 E8 C1927 E9
- C1928 E9 C1929 D9 C1930 E9 C1931 D8 C1932 D7 C1933 E10 C1935 C7 C1937 E10
- C1943 D3 C1944 E3 FB1901 B6 FB1902 D6 FB1903 E6 C1901 C5 C1902 C8 C1903 D8
- R1901 A4 R1905 B3 R1909 C4 R1910 C6 R1911 C6 R1912 C6 R1913 C6 R1914 C5
- R1915 C5 R1916 D3 R1917 E3 R1918 D6 R1919 E6 R1920 D6 R1921 E6 R1922 D7
- R1923 E7 R1924 E7 R1925 E7 R1926 D8 R1927 D8 R1928 D9 R1929 D8 R1930 E8
- R1931 D9 R1932 E9 R1933 E10 R1934 E10 R1935 D10 R1936 E10 R1937 E3 U1901 D7

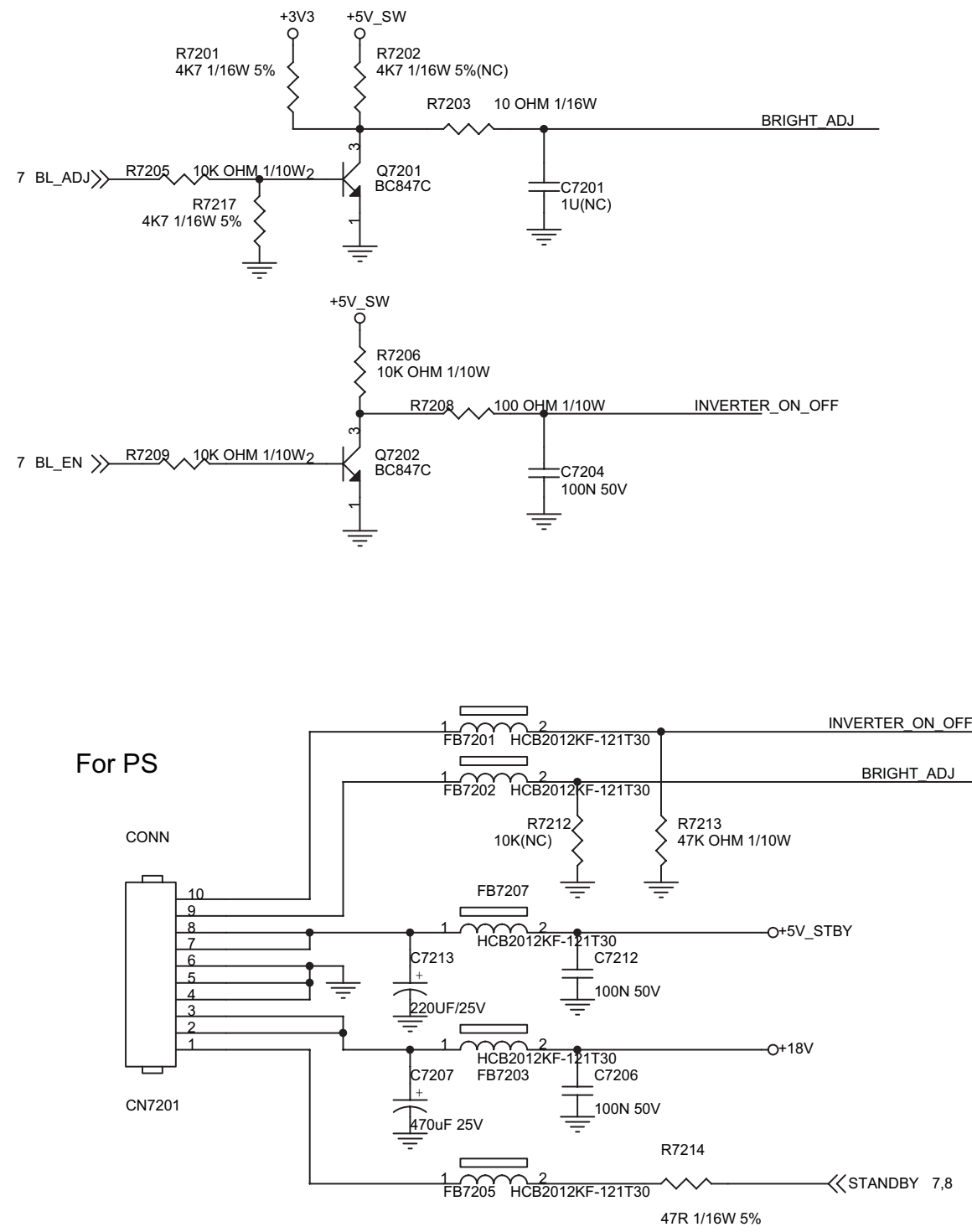
04. TUNER



05. HDMI INPUT1

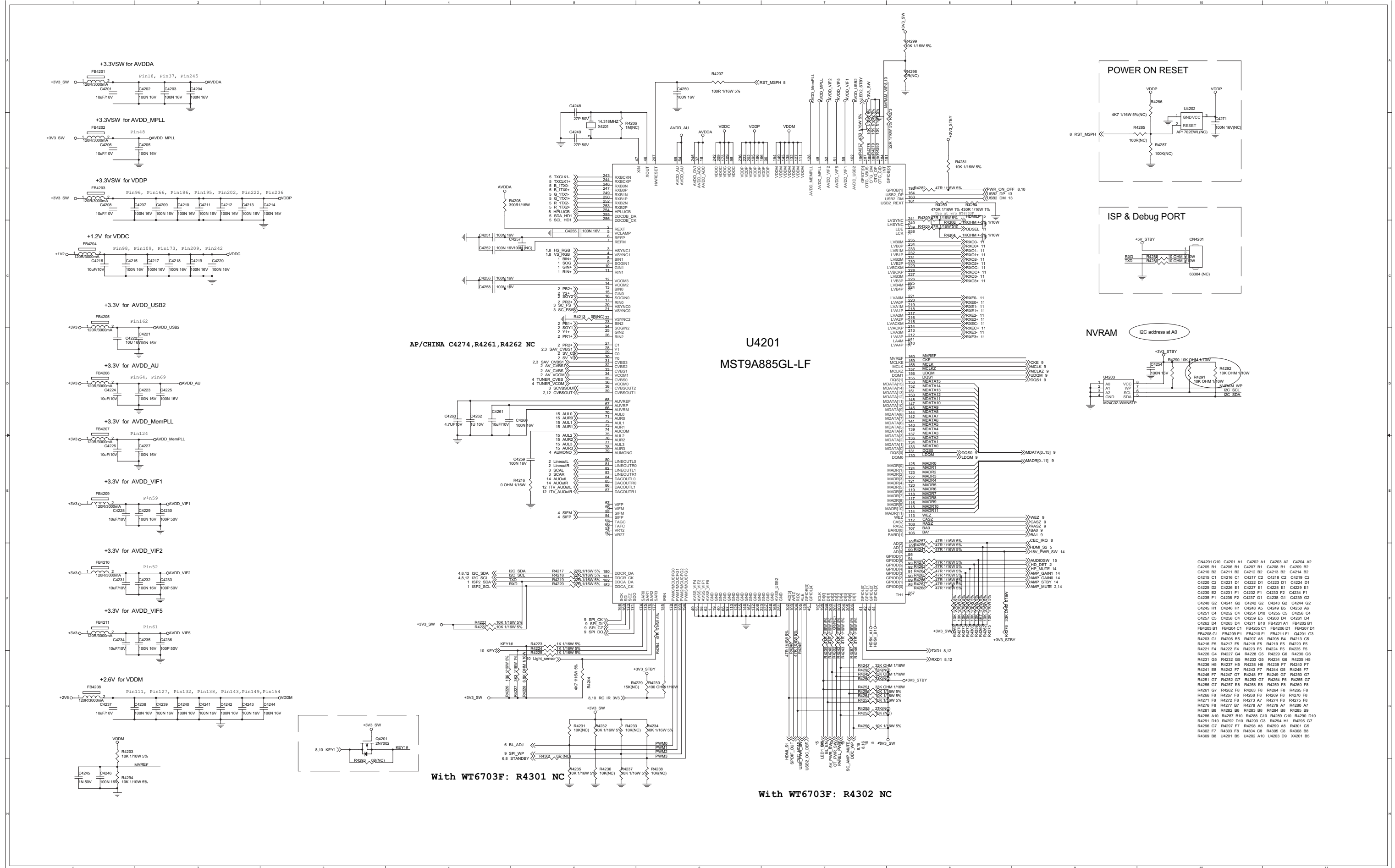


06. LIPS&INVERTER I/F

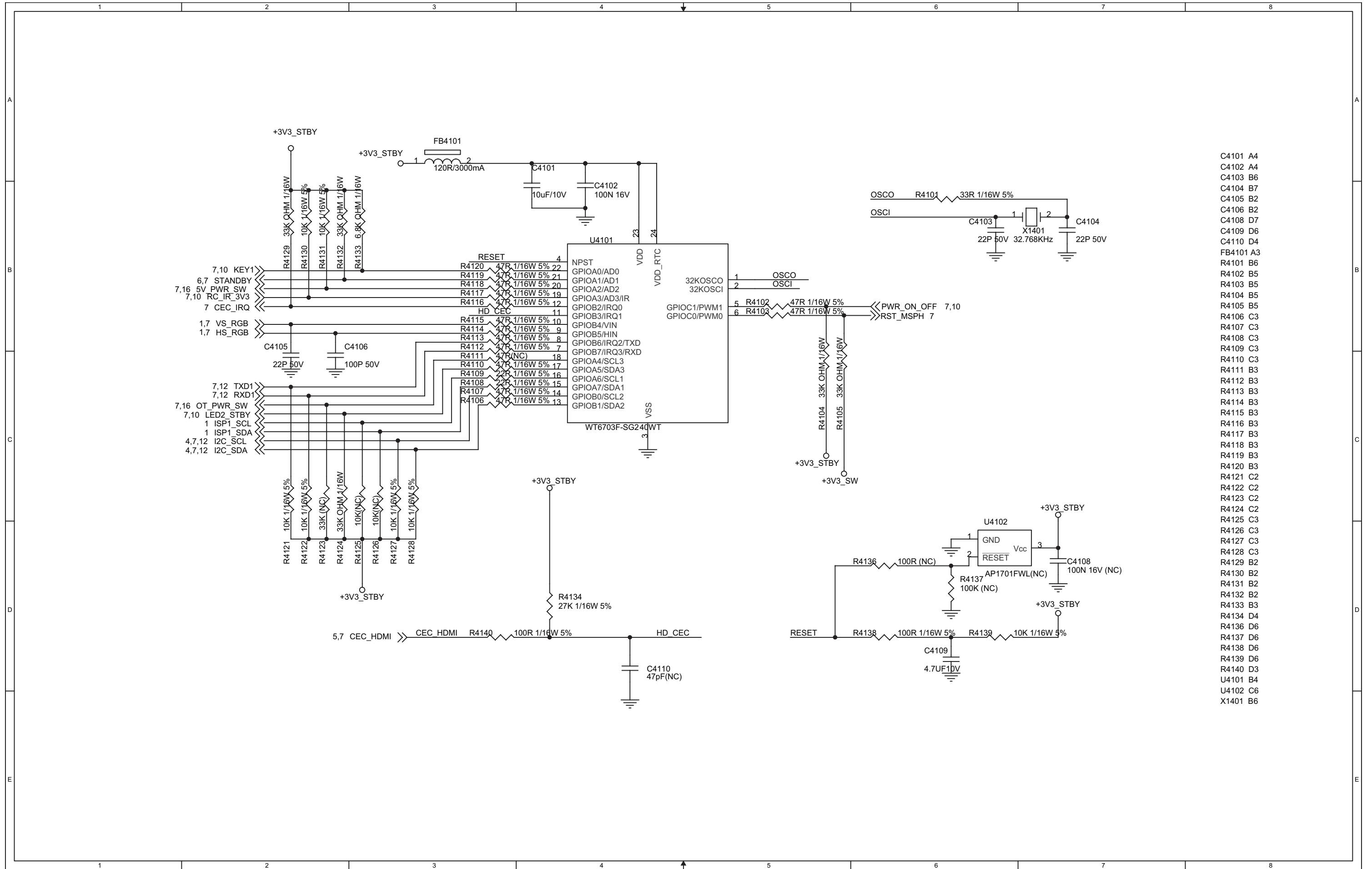


- CN7201 C3
- C7201 A4
- C7204 B4
- C7206 D4
- C7207 D4
- C7212 D4
- C7213 D4
- FB7201 C4
- FB7202 C4
- FB7203 D4
- FB7205 D4
- FB7207 C4
- Q7201 A3
- Q7202 B3
- R7201 A3
- R7202 A3
- R7203 A4
- R7205 A3
- R7206 B3
- R7208 B4
- R7209 B3
- R7212 C4
- R7213 C4
- R7214 D4
- R7217 A3

07. SCALER MST6B885GL-A

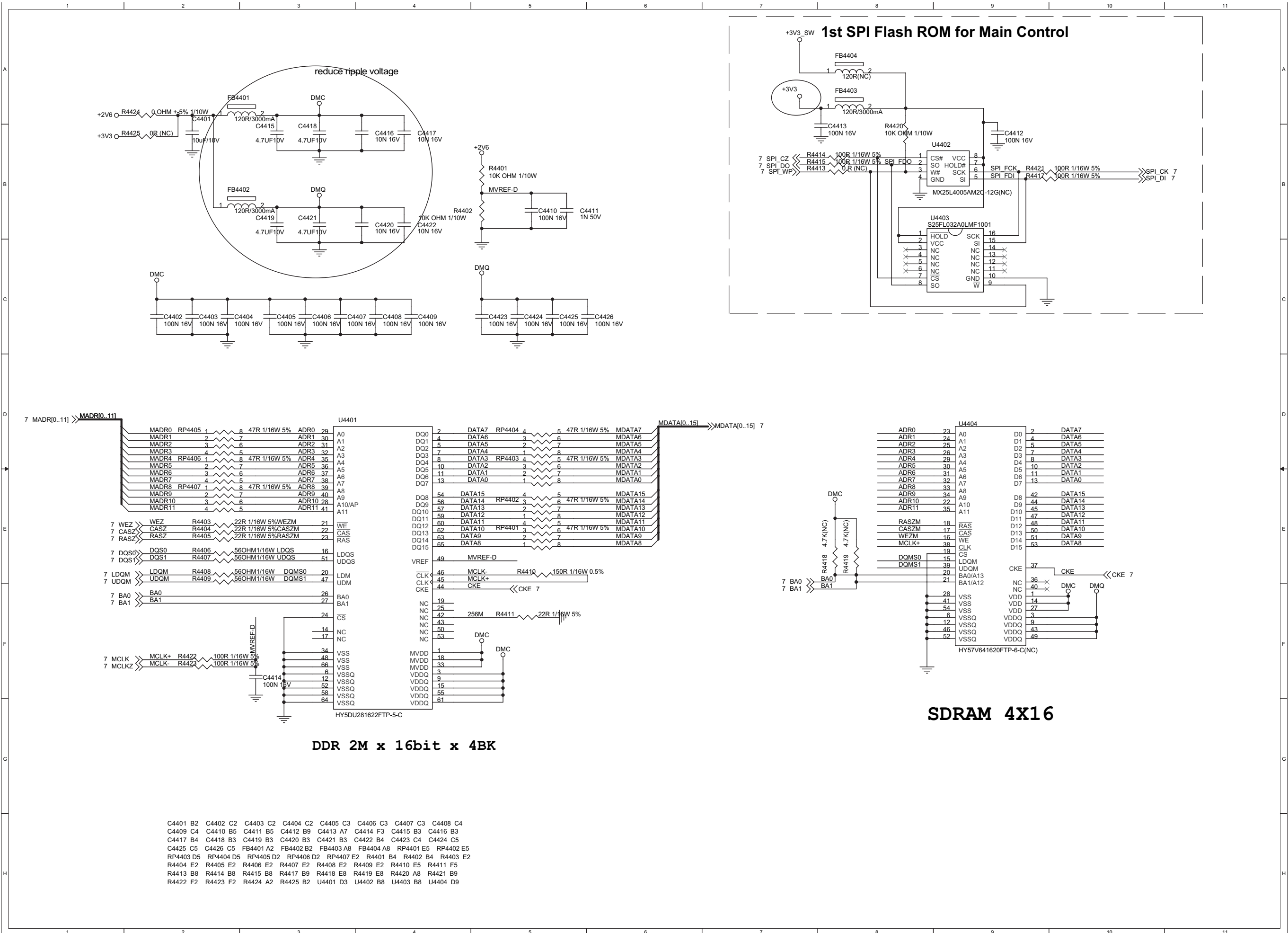


08. WT6703F (STANDBYMCU)



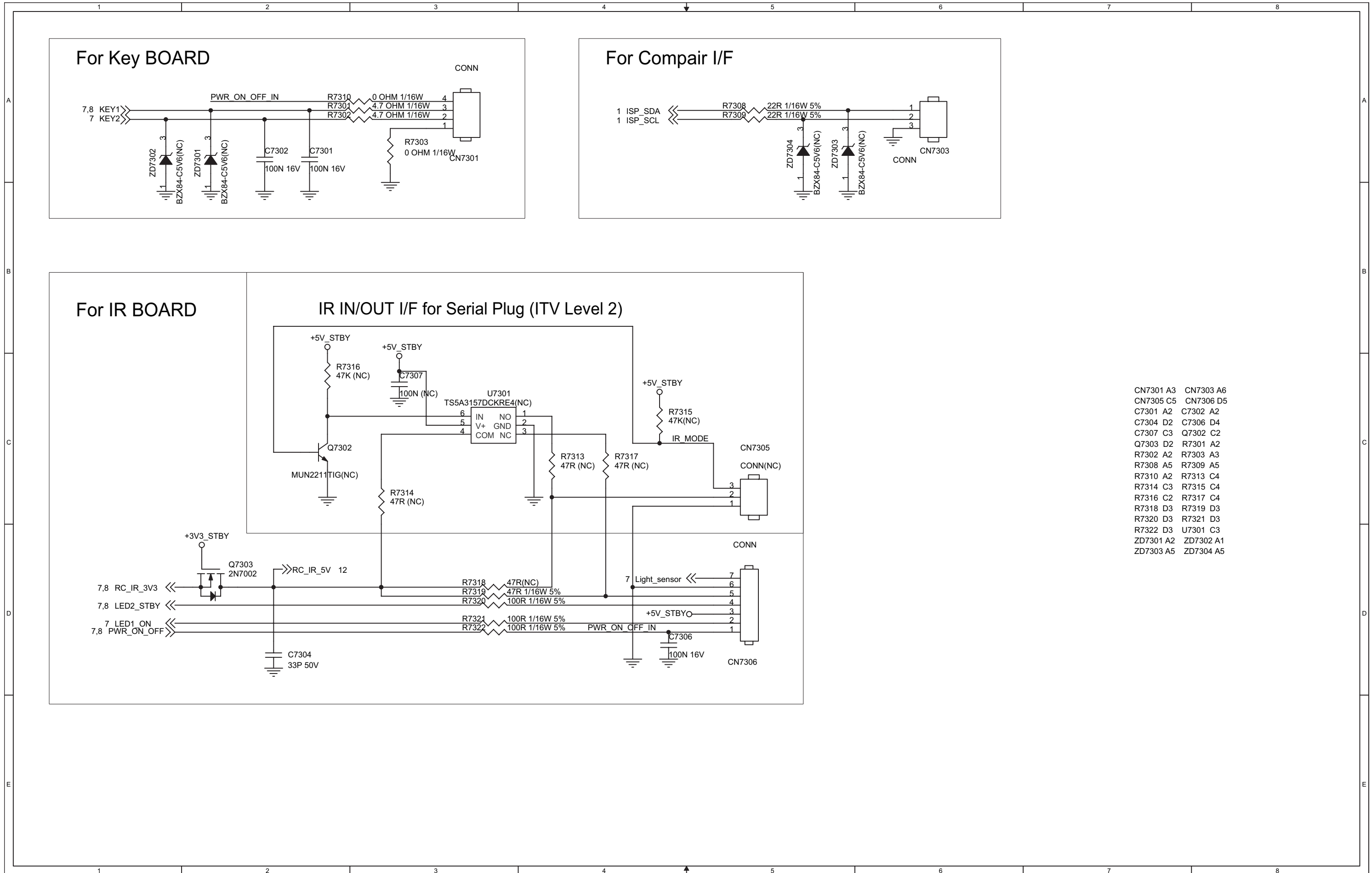
- C4101 A4
- C4102 A4
- C4103 B6
- C4104 B7
- C4105 B2
- C4106 B2
- C4108 D7
- C4109 D6
- C4110 D4
- FB4101 A3
- R4101 B6
- R4102 B5
- R4103 B5
- R4104 B5
- R4105 B5
- R4106 C3
- R4107 C3
- R4108 C3
- R4109 C3
- R4110 C3
- R4111 B3
- R4112 B3
- R4113 B3
- R4114 B3
- R4115 B3
- R4116 B3
- R4117 B3
- R4118 B3
- R4119 B3
- R4120 B3
- R4121 C2
- R4122 C2
- R4123 C2
- R4124 C2
- R4125 C3
- R4126 C3
- R4127 C3
- R4128 C3
- R4129 B2
- R4130 B2
- R4131 B2
- R4132 B2
- R4133 B3
- R4134 D4
- R4136 D6
- R4137 D6
- R4138 D6
- R4139 D6
- R4140 D3
- U4101 B4
- U4102 C6
- X1401 B6

09. FLASHROM&MEMORY



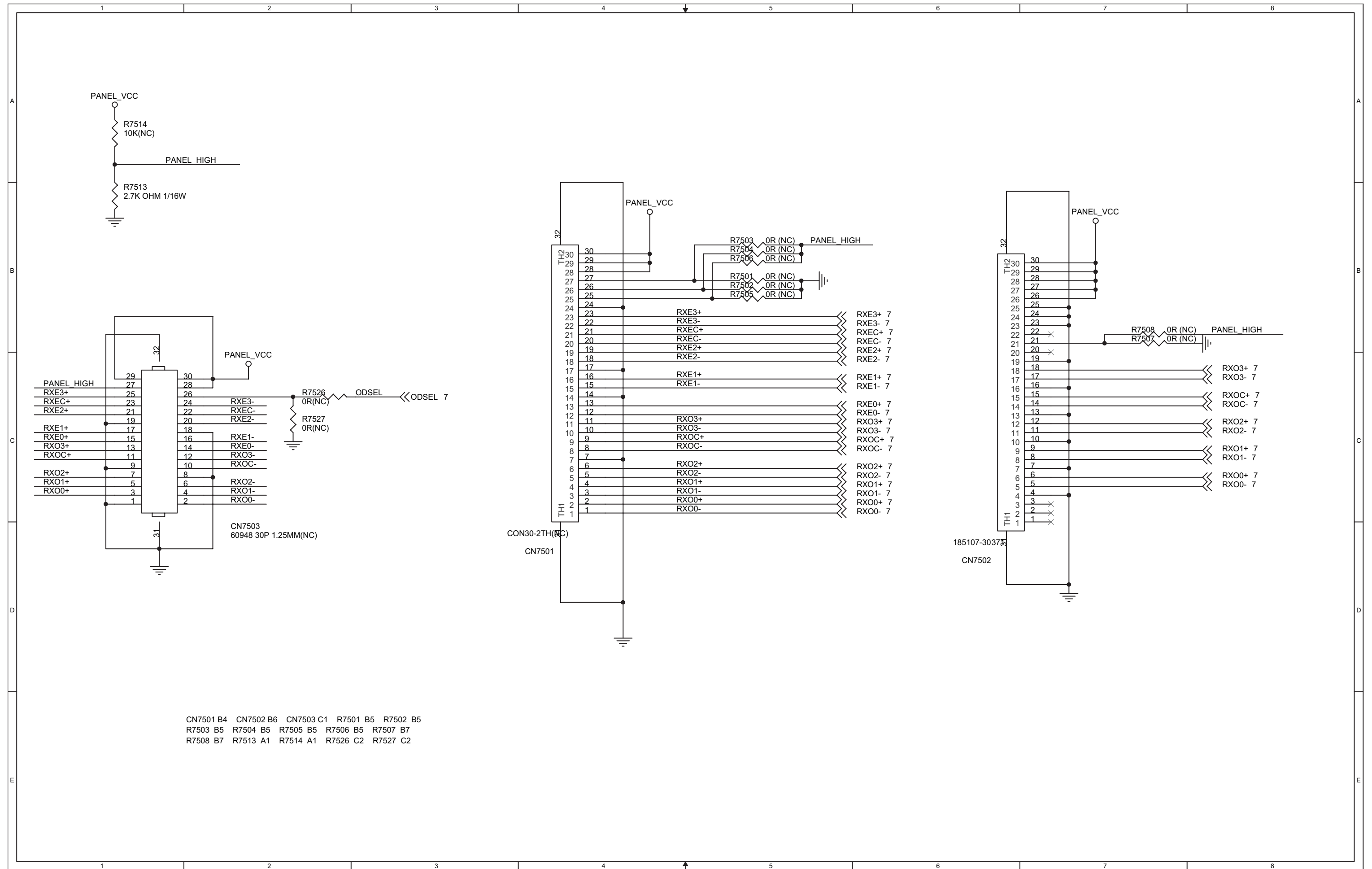


10. KEY,IR,BD&COMPARE I/F



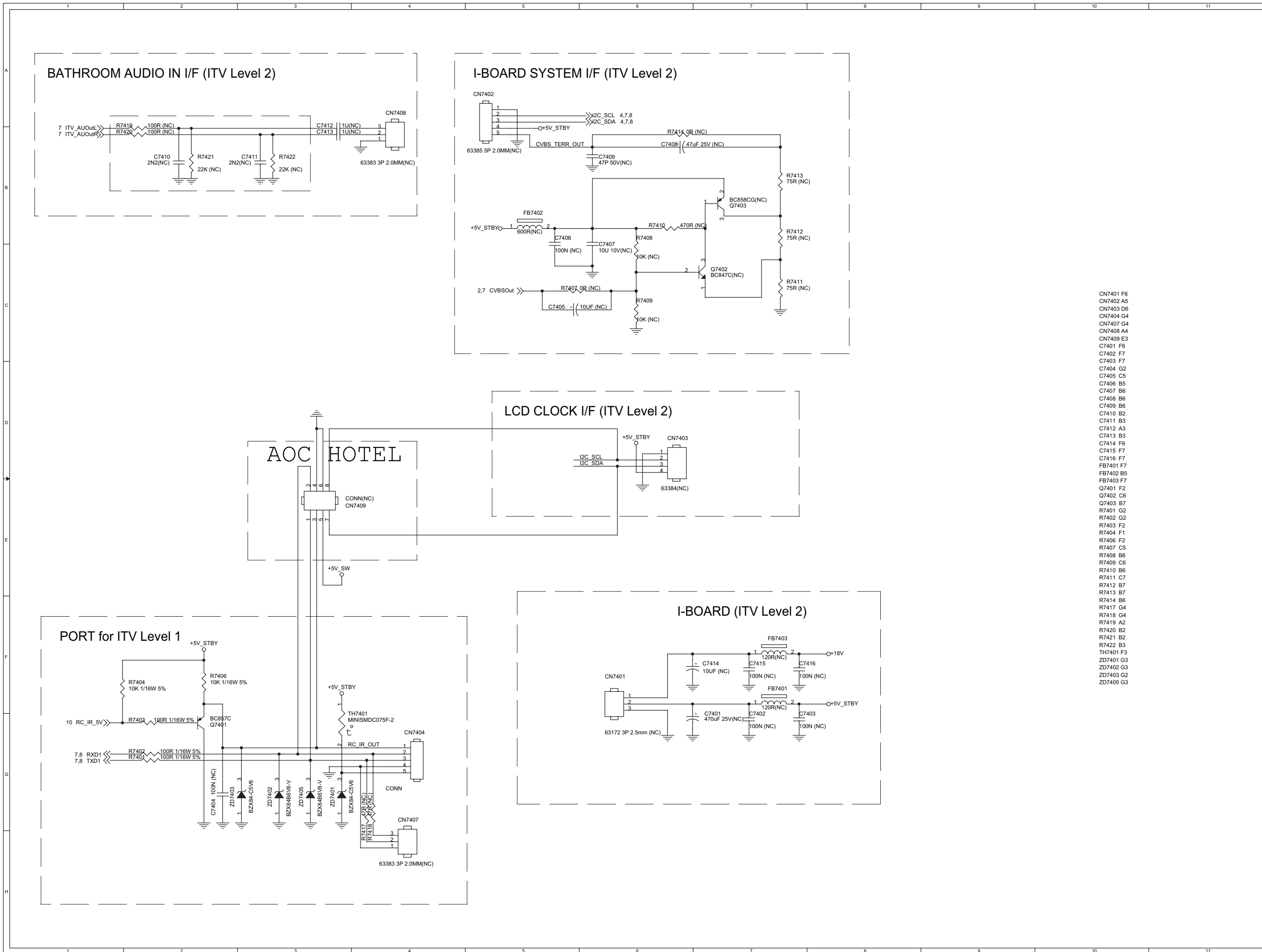
- CN7301 A3
- CN7305 C5
- C7301 A2
- C7304 D2
- C7307 C3
- Q7303 D2
- R7302 A2
- R7308 A5
- R7310 A2
- R7314 C3
- R7316 C2
- R7318 D3
- R7320 D3
- R7322 D3
- ZD7301 A2
- ZD7303 A5
- CN7303 A6
- CN7306 D5
- C7302 A2
- C7306 D4
- Q7302 C2
- R7301 A2
- R7303 A3
- R7313 C4
- R7315 C4
- R7317 C4
- R7319 D3
- R7321 D3
- U7301 C3
- ZD7302 A1
- ZD7304 A5

11. PANEL I/F



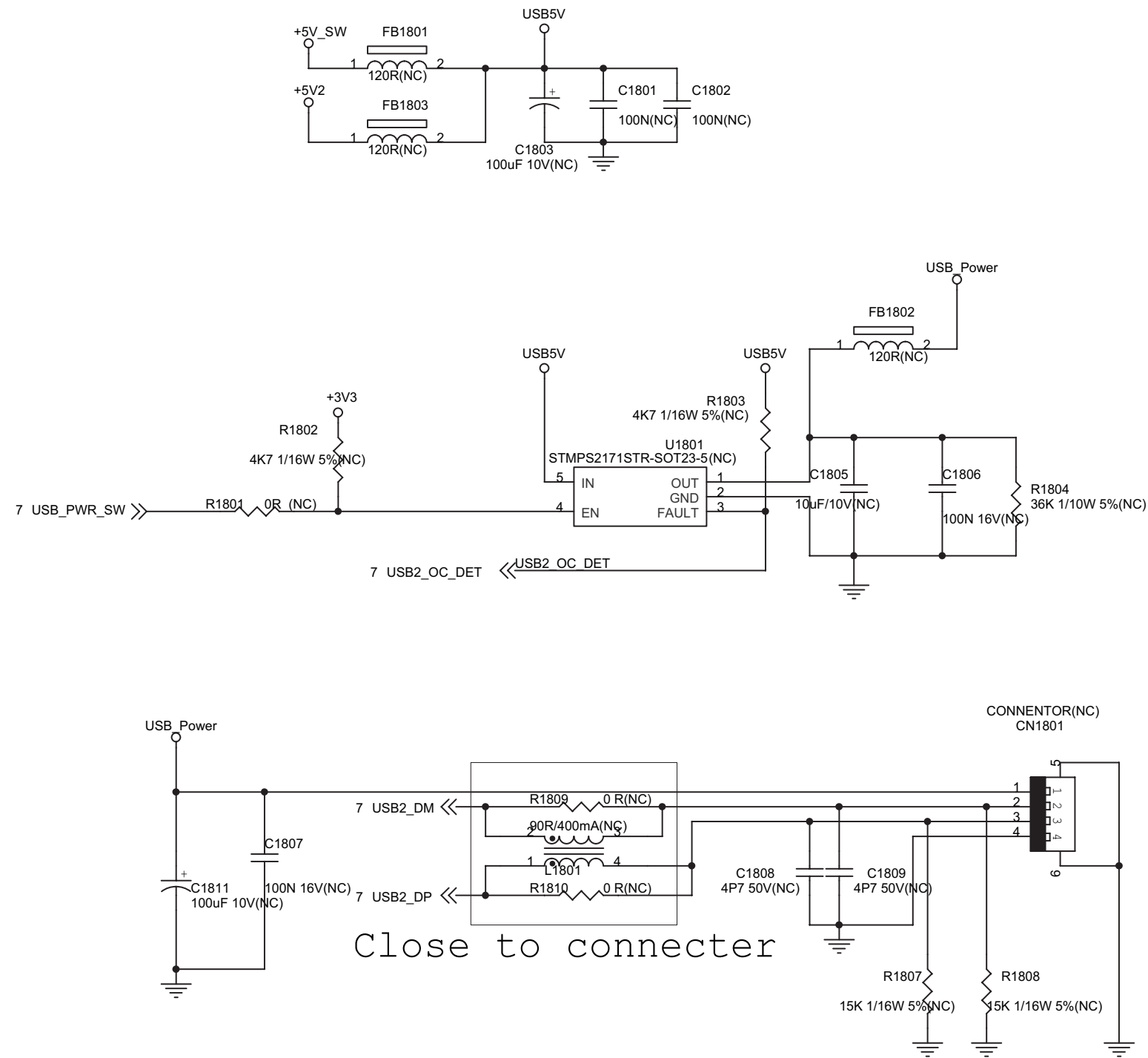
CN7501 B4 CN7502 B6 CN7503 C1 R7501 B5 R7502 B5  
 R7503 B5 R7504 B5 R7505 B5 R7506 B5 R7507 B7  
 R7508 B7 R7513 A1 R7514 A1 R7526 C2 R7527 C2

12. ITV I/F AND AOC HOTEL



- CN7401 F6
- CN7402 A5
- CN7403 D6
- CN7404 G4
- CN7407 G4
- CN7408 A4
- CN7409 E3
- C7401 F6
- C7402 F7
- C7403 F7
- C7404 G2
- C7405 C5
- C7406 B5
- C7407 B6
- C7408 B6
- C7409 B6
- C7410 B2
- C7411 B3
- C7412 A3
- C7413 B3
- C7414 F6
- C7415 F7
- C7416 F7
- FB7401 F7
- FB7402 B5
- FB7403 F7
- Q7401 F2
- Q7402 C6
- Q7403 B7
- R7401 G2
- R7402 G2
- R7403 F2
- R7404 F1
- R7406 F2
- R7407 C5
- R7408 B6
- R7409 C6
- R7410 B6
- R7411 C7
- R7412 B7
- R7413 B7
- R7414 B6
- R7417 G4
- R7418 G4
- R7419 A2
- R7420 B2
- R7421 B2
- R7422 B3
- TH7401 F3
- ZD7401 G3
- ZD7402 G3
- ZD7403 G2
- ZD7405 G3

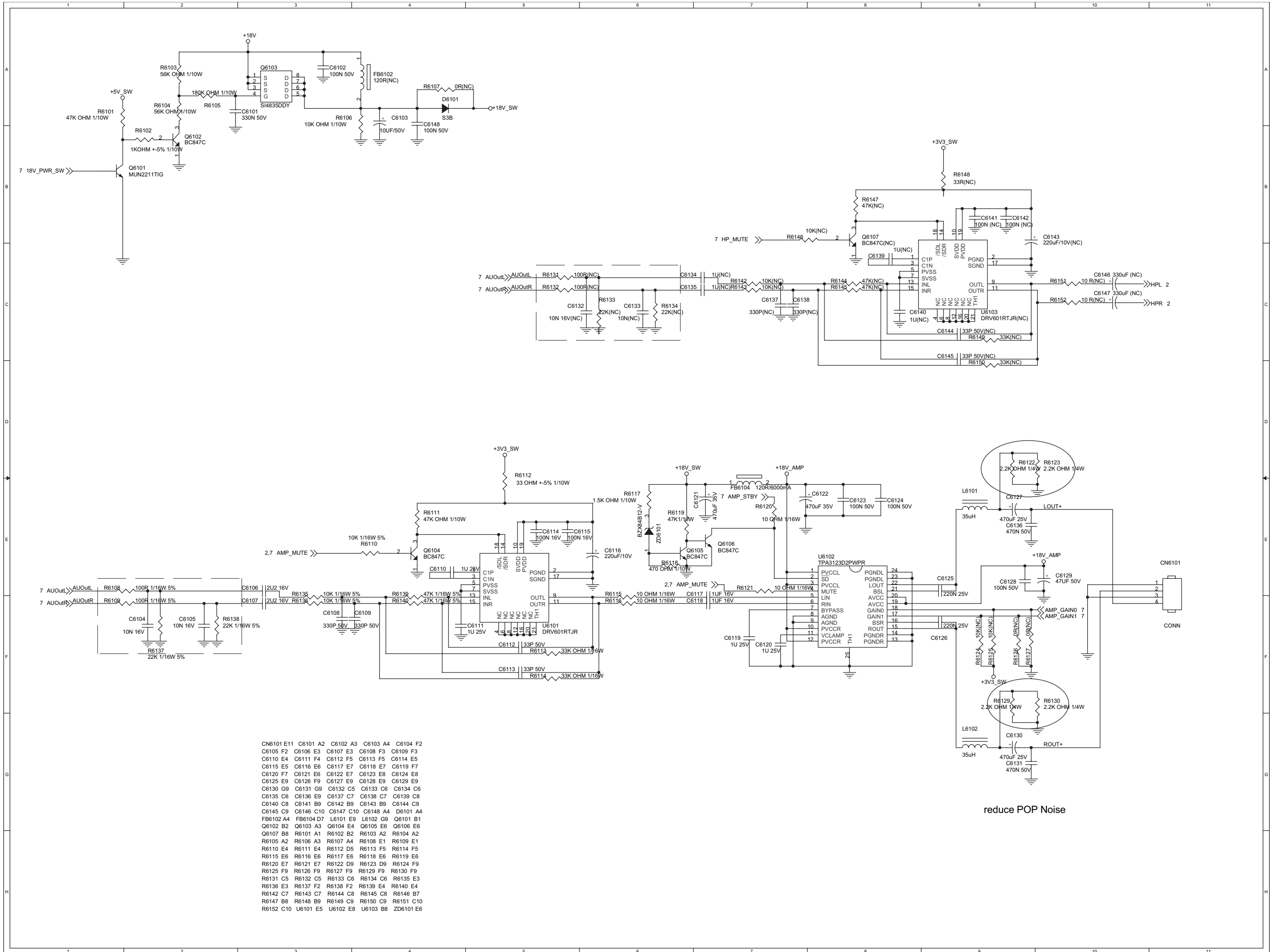
13. USB



- CN1801 D5
- C1801 A4
- C1802 A4
- C1803 A4
- C1805 C5
- C1806 C5
- C1807 D3
- C1808 D4
- C1809 D5
- C1811 D2
- FB1801 A3
- FB1802 B5
- FB1803 A3
- L1801 D4
- R1801 C2
- R1802 B3
- R1803 B4
- R1804 C5
- R1807 D5
- R1808 D5
- R1809 D4
- R1810 D4
- U1801 B4

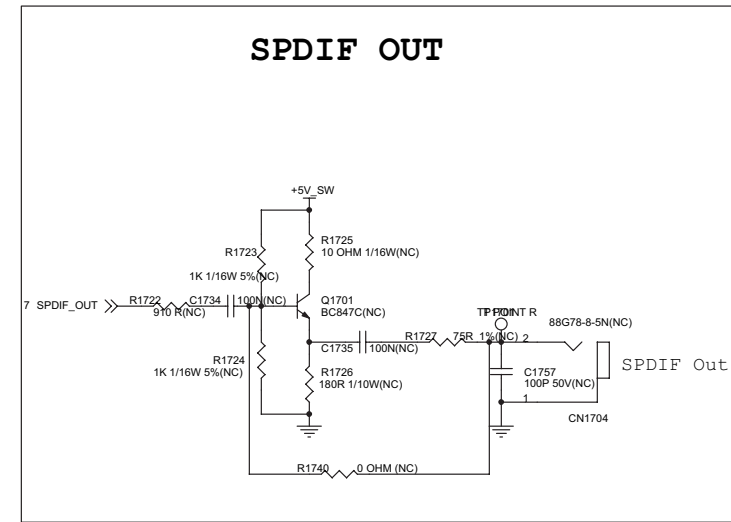
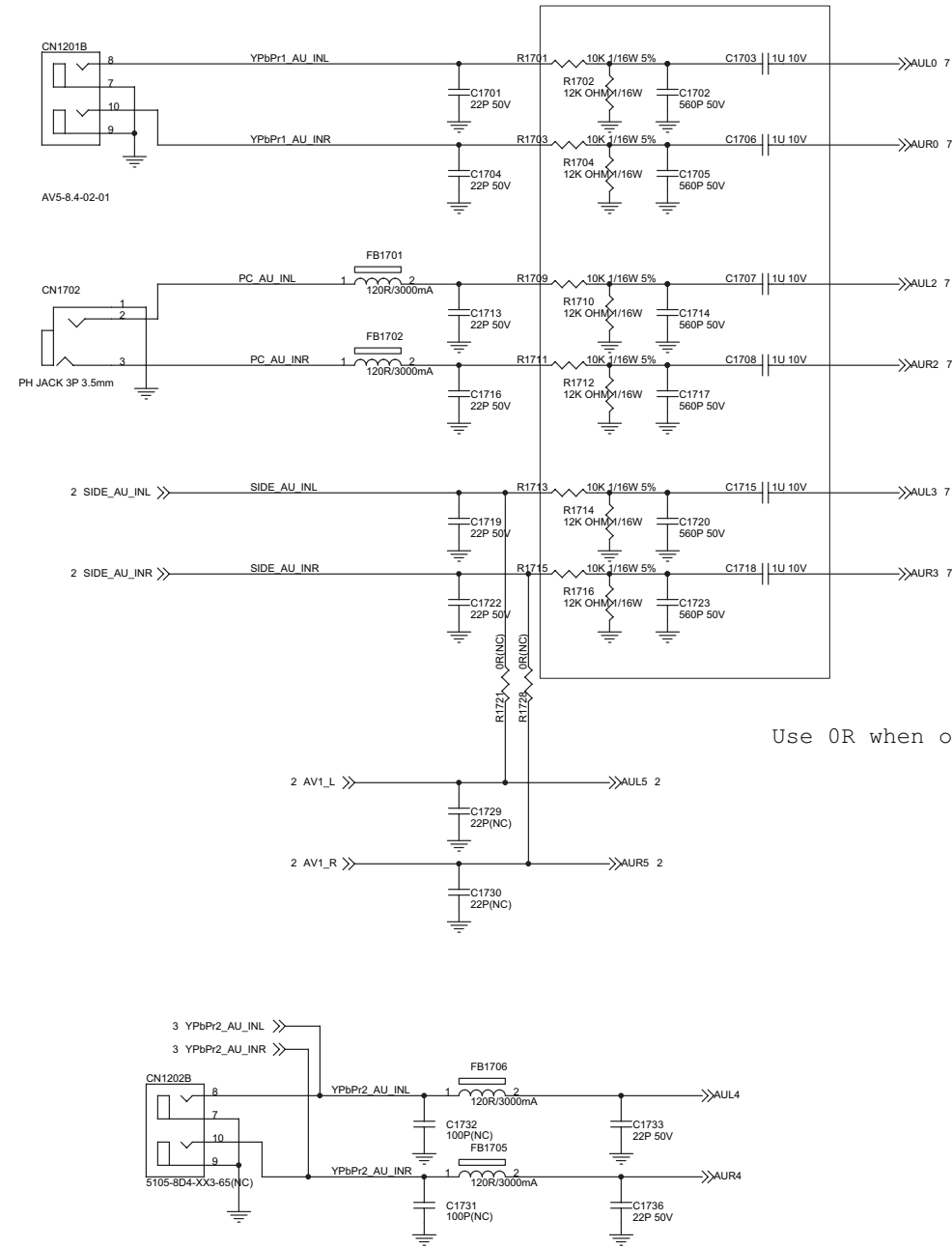
Close to connector

14. AUDIO AMP



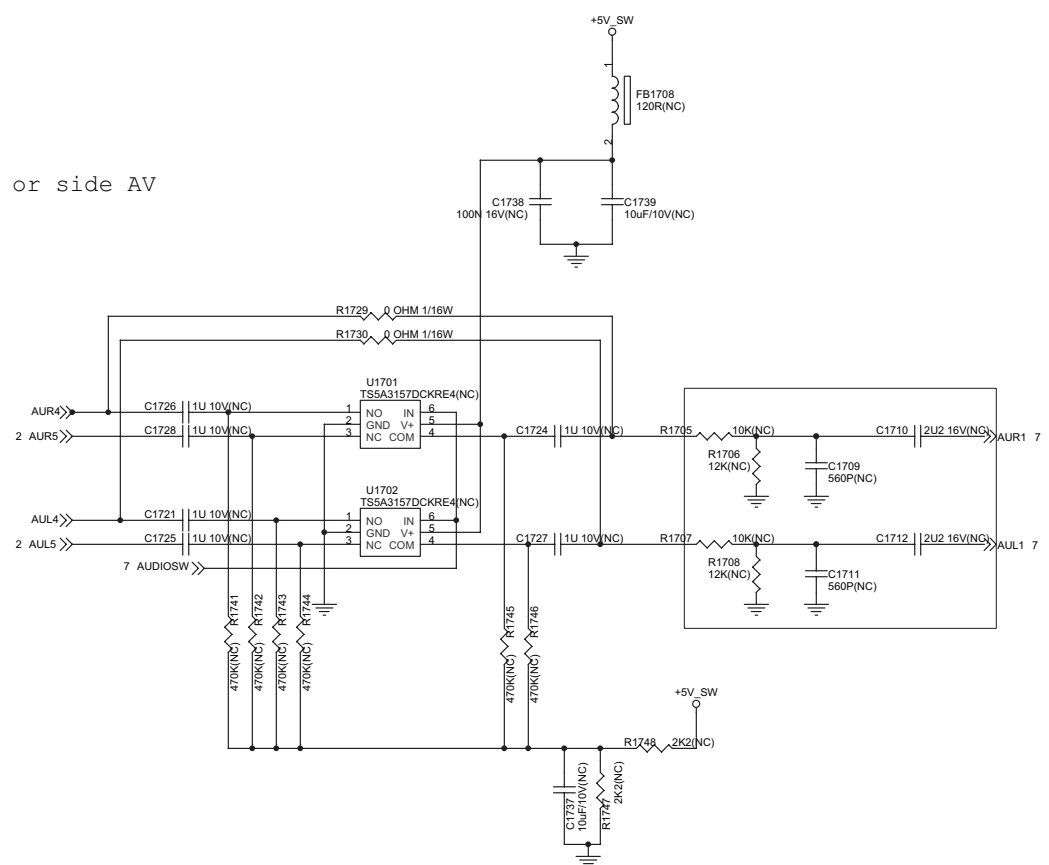
reduce POP Noise

15. AUDIO I/F AND SPDIF OUT



- N1201B A1
- N1202B F2
- CN1702 B1
- CN1704 B9
- C1701 A3
- C1702 A4
- C1703 A4
- C1704 B3
- C1705 B4
- C1706 B4
- C1707 B4
- C1708 C4
- C1709 E9
- C1710 E10
- C1711 F9
- C1712 F10
- C1713 B3
- C1714 B4
- C1715 C4
- C1716 C3
- C1717 C4
- C1718 C4
- C1719 C3
- C1720 C4
- C1721 F7
- C1722 D3
- C1723 D4
- C1724 E8
- C1725 F7
- C1726 E7
- C1727 F8
- C1728 E7
- C1729 E3
- C1730 E3
- C1731 F3
- C1732 F3
- C1733 F4
- C1734 B7
- C1735 B8
- C1736 F4
- C1737 G8
- C1738 D8
- C1739 D8
- C1757 C8
- FB1701 B3
- FB1702 C3
- FB1705 F3
- FB1706 F3
- FB1708 D8
- Q1701 B8
- R1701 A4
- R1702 A4
- R1703 B4
- R1704 B4
- R1705 E9
- R1706 E9
- R1707 F9
- R1708 F9
- R1709 B4
- R1710 B4
- R1711 C4
- R1712 C4
- R1713 C4
- R1714 C4
- R1715 C4
- R1716 D4
- R1721 D3
- R1722 B7
- R1723 B7
- R1724 B7
- R1725 B8
- R1726 C8
- R1727 B8
- R1728 D3
- R1729 E7
- R1730 E7
- R1740 C8
- R1741 F7
- R1742 F7
- R1743 F7
- R1744 F7
- R1745 F8
- R1746 F8
- R1747 G8
- R1748 F9
- TP1701 B8
- U1701 E7
- U1702 F7

Use 0R when only rear AV or side AV



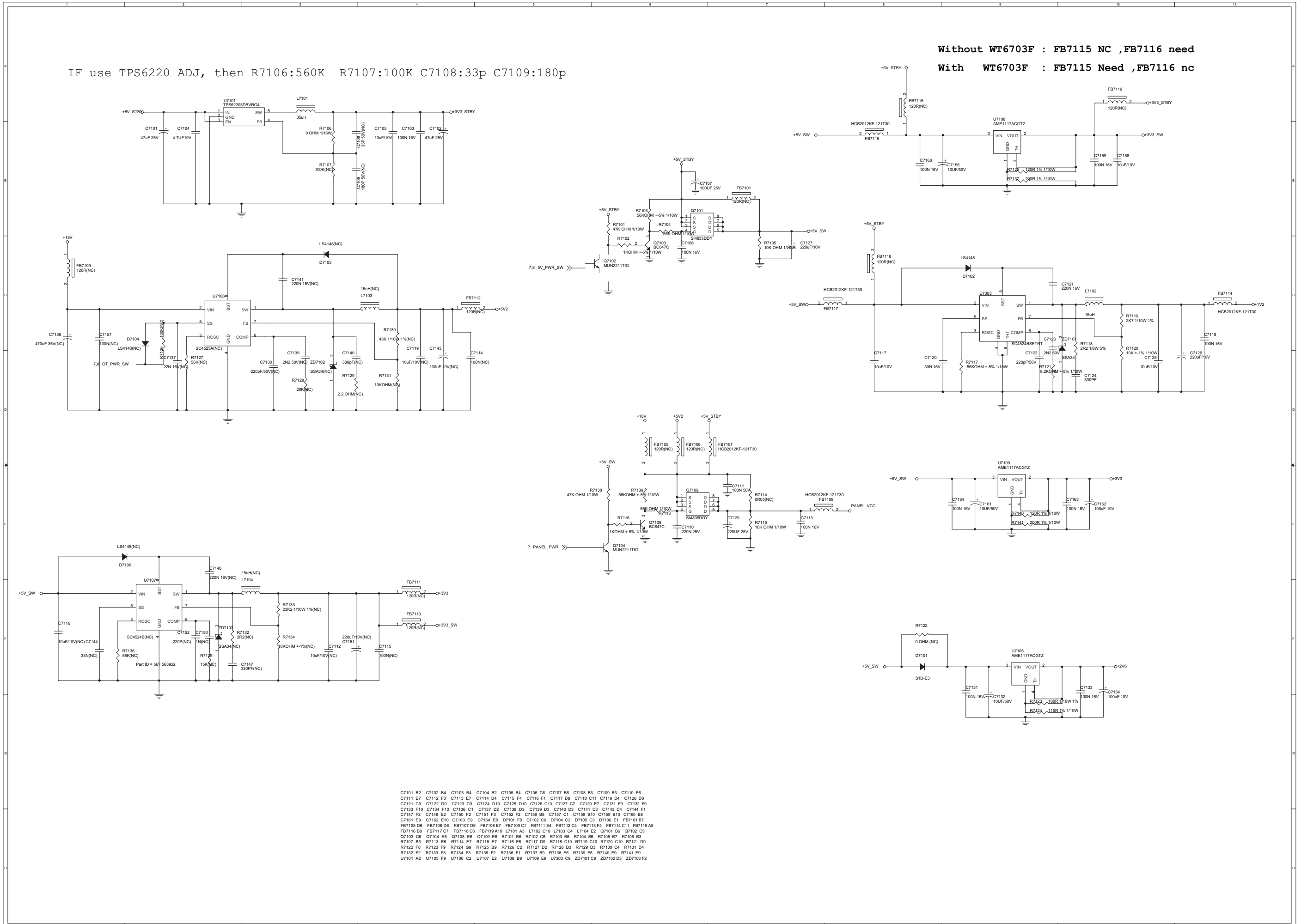
AP/China: C1732 NC ,C1731 NC  
 EU: C1732 100p ,C1731 100p

For PHILIPS CLICK EU :  
 R1729 R1730 0R  
 C1721 C1725 C1726 C1728 C1724 C1727 C1737 U1701 C1738 C1739 FB1708 U1702 R1741 R1742 R1743 R1744 R1745 R1746 R1747 R1748 NC

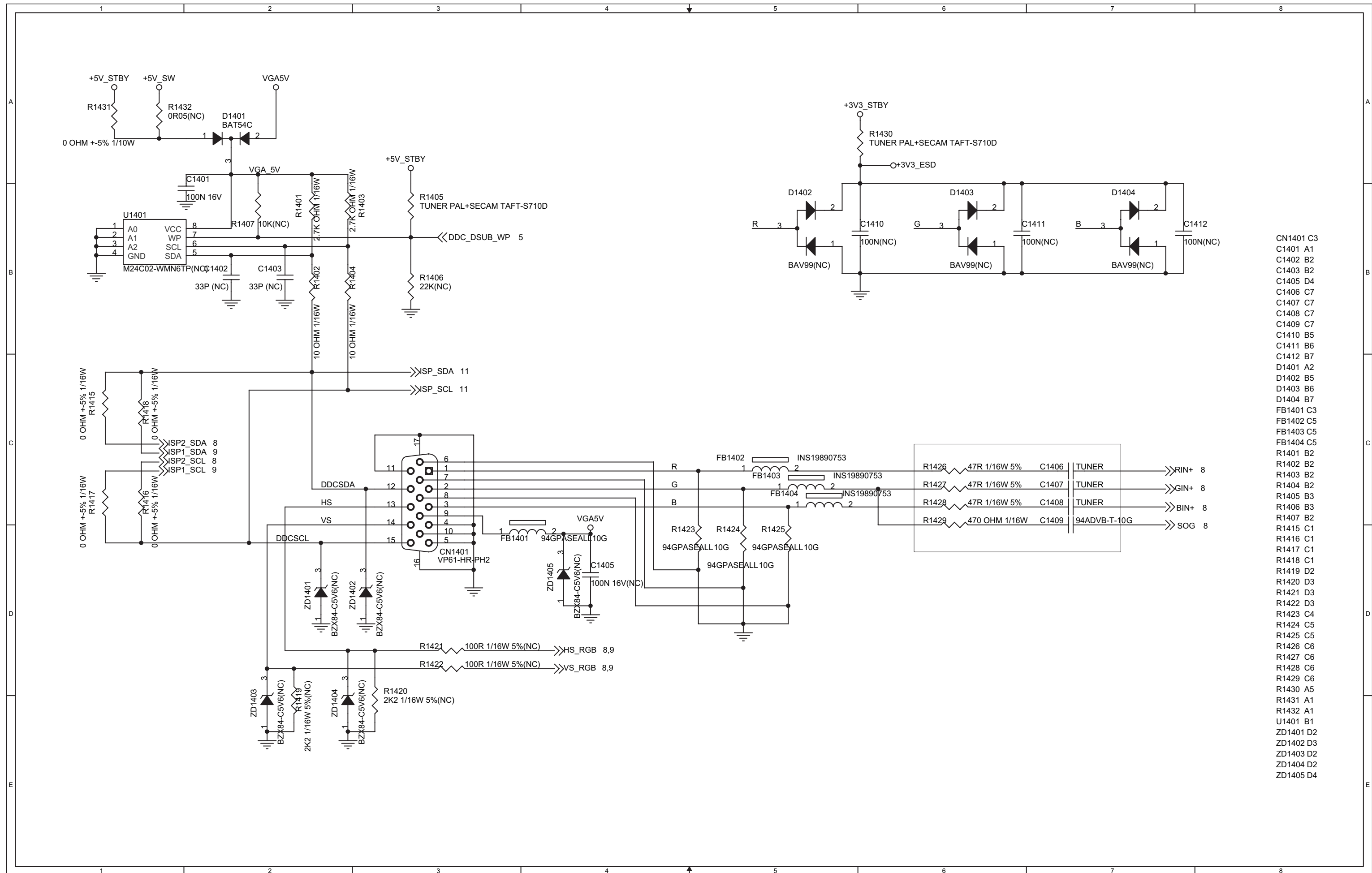
16. DC-DC POWER

IF use TPS6220 ADJ, then R7106:560K R7107:100K C7108:33p C7109:180p

Without WT6703F : FB7115 NC ,FB7116 need  
 With WT6703F : FB7115 Need ,FB7116 nc



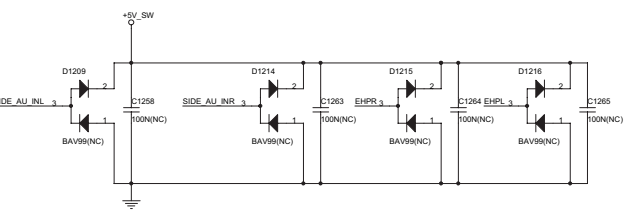
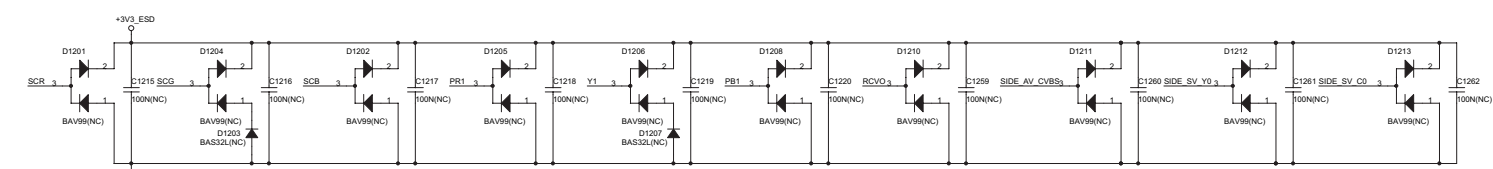
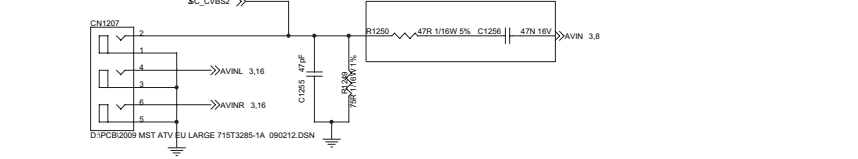
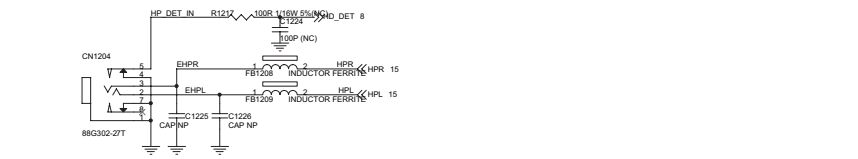
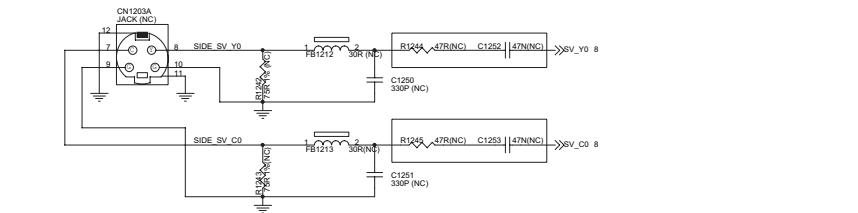
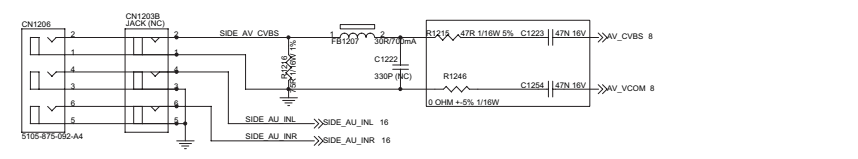
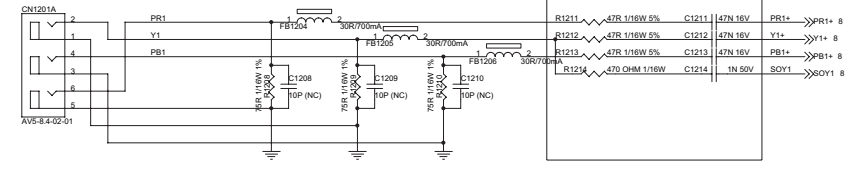
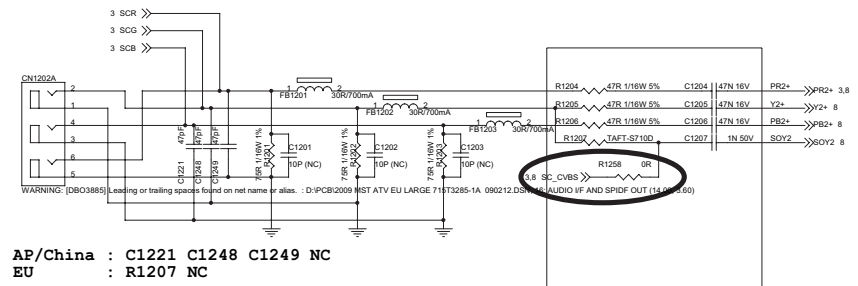
[1]MAIN SCHEMATIC DIAGRAM(26" & 32") 01. D-SUB INPUT



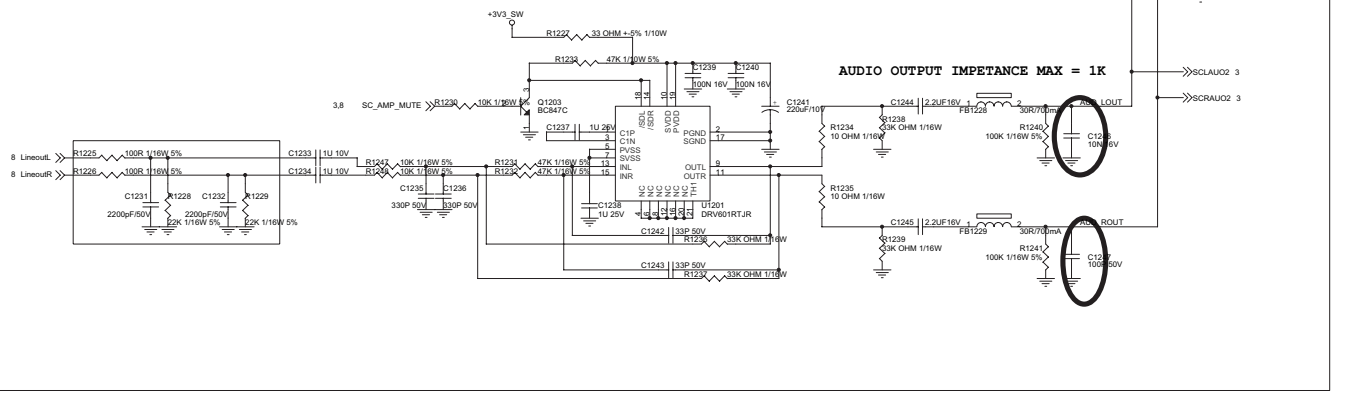
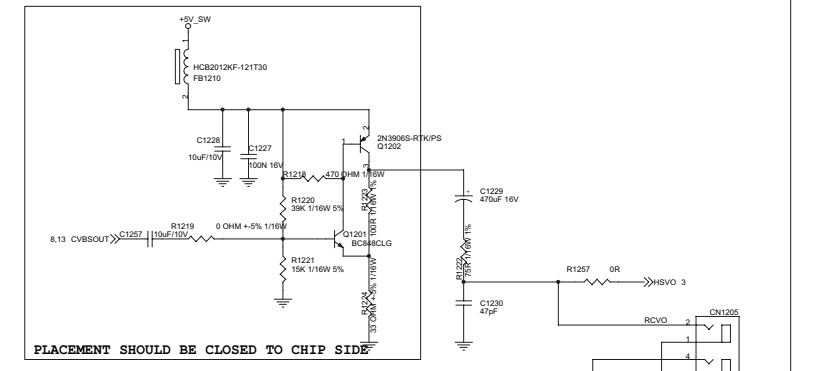
- CN1401 C3
- C1401 A1
- C1402 B2
- C1403 B2
- C1405 D4
- C1407 C7
- C1408 C7
- C1409 C7
- C1410 B5
- C1411 B6
- C1412 B7
- D1401 A2
- D1402 B5
- D1403 B6
- D1404 B7
- FB1401 C3
- FB1402 C5
- FB1403 C5
- FB1404 C5
- R1401 B2
- R1402 B2
- R1403 B2
- R1404 B2
- R1405 B3
- R1406 B3
- R1407 B2
- R1415 C1
- R1416 C1
- R1417 C1
- R1418 C1
- R1419 D2
- R1420 D3
- R1421 D3
- R1422 D3
- R1423 C4
- R1424 C5
- R1425 C5
- R1426 C6
- R1427 C6
- R1428 C6
- R1429 C6
- R1430 A5
- R1431 A1
- R1432 A1
- U1401 B1
- ZD1401 D2
- ZD1402 D3
- ZD1403 D2
- ZD1404 D2
- ZD1405 D4



0.2 VIDEO INPUT AND CVBS OUTPUT

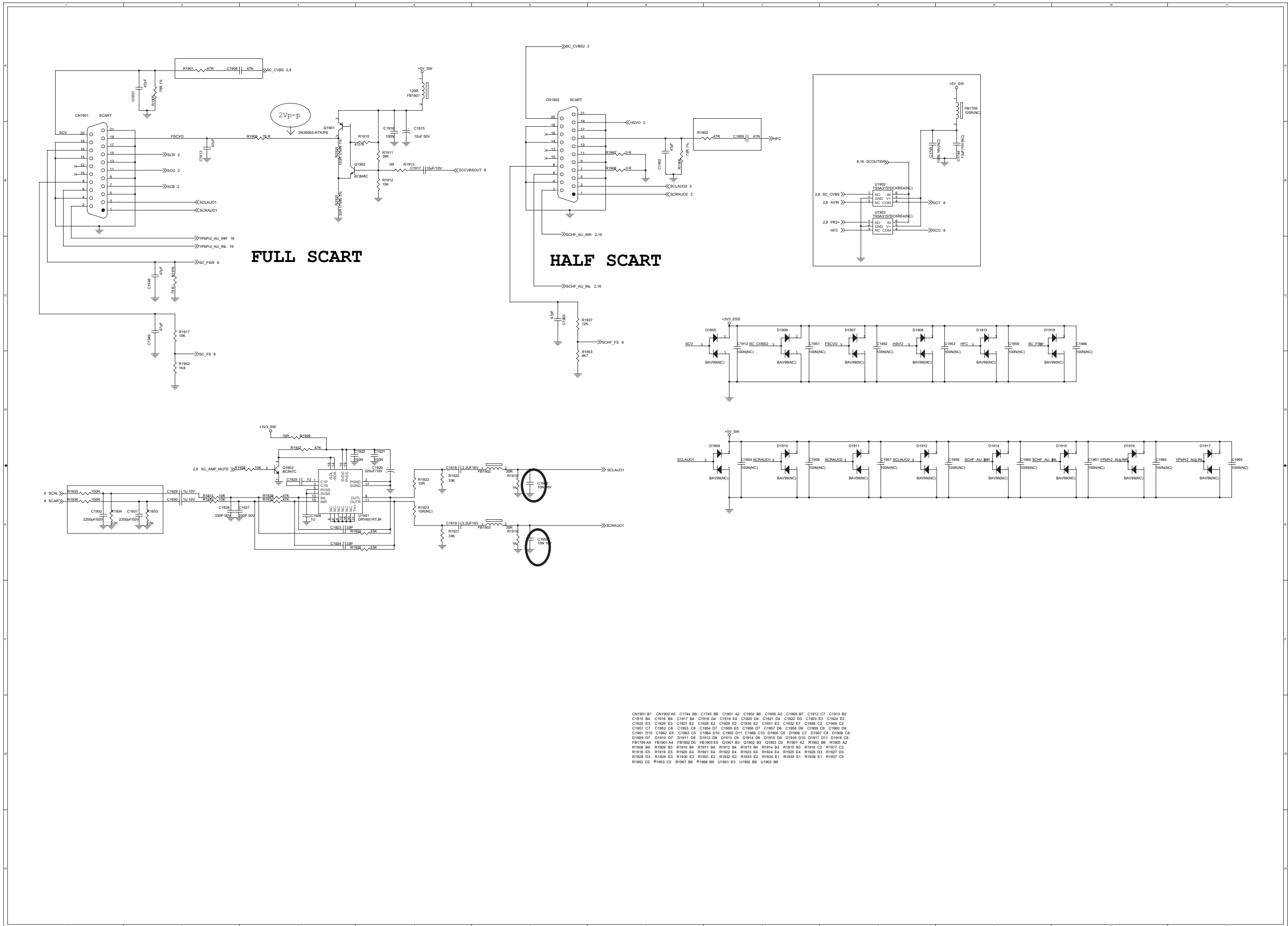


CVBS OUT

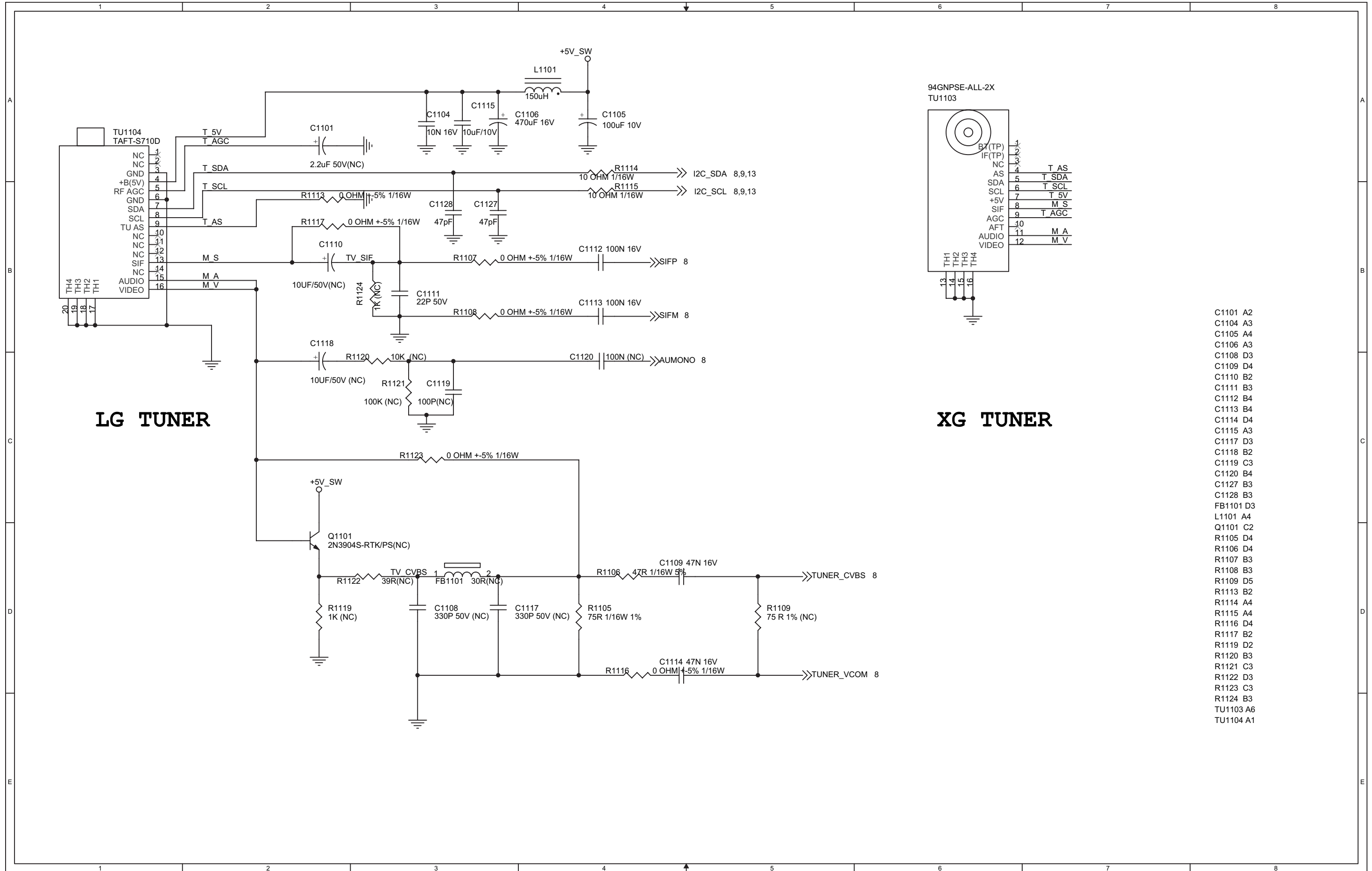


- N1201A B1
- N1202A A1
- N1203A C2
- N1203B C2
- CN1204 E1
- CN1205 E10
- CN1206 C1
- CN1207 F1
- C1201 A2
- C1202 A3
- C1203 A3
- C1204 A4
- C1205 A4
- C1206 A4
- C1207 A4
- C1208 B2
- C1209 B3
- C1210 B3
- C1211 B4
- C1212 B4
- C1213 B4
- C1214 B4
- C1215 A5
- C1216 A6
- C1217 A6
- C1218 A7
- C1219 A7
- C1220 A8
- C1221 A2
- C1222 C3
- C1223 C3
- C1224 E2
- C1225 F2
- C1226 F2
- C1227 D8
- C1228 D8
- C1229 D9
- C1230 E9
- C1231 F6
- C1232 F6
- C1233 F6
- C1234 F6
- C1235 F7
- C1236 F7
- C1237 F7
- C1238 F7
- C1239 F8
- C1240 F8
- C1241 F8
- C1242 F8
- C1243 F8
- C1244 F8
- C1245 F9
- C1246 F9
- C1247 F9
- C1248 A2
- C1249 A2
- C1250 D3
- C1251 E3
- C1252 D3
- C1253 E3
- C1254 C3
- C1255 F2
- C1256 F3
- C1257 D8
- C1258 B5
- C1259 A8
- C1260 A8
- C1261 A10
- C1262 A10
- C1263 B6
- C1264 B6
- C1265 B7
- C1266 A5
- D1202 A6
- D1203 A6
- D1204 A5
- D1205 A7
- D1206 A8
- D1207 A7
- D1208 A8
- D1209 B5
- D1210 A8
- D1211 A8
- D1212 A10
- D1213 A10
- D1214 B6
- D1215 B6
- D1216 B7
- F1201 A2
- F1202 A3
- F1203 A3
- F1204 B2
- F1205 B3
- F1206 B3
- F1207 C2
- F1208 E2
- F1209 E2
- F1210 D8
- F1211 D2
- F1212 D2
- F1213 F9
- F1214 F9
- F1215 F9
- F1216 C2
- F1217 E2
- F1218 D8
- F1219 D8
- F1220 D8
- F1221 D8
- F1222 D9
- F1223 D9
- F1224 E9
- F1225 F6
- F1226 F6
- F1227 E7
- F1228 F6
- F1229 F6
- F1230 F7
- F1231 F7
- F1232 F7
- F1233 E7
- F1234 F8
- F1235 F8
- F1236 F8
- F1237 F8
- F1238 F9
- F1239 F9
- F1240 F9
- F1241 F9
- F1242 D2
- F1243 E2
- F1244 D3
- F1245 E3
- F1246 C3
- F1247 F7
- F1248 F7
- F1249 F2
- F1250 F3
- F1251 D10
- F1252 A4
- U1201 F8

03. SCART



04.TUNER

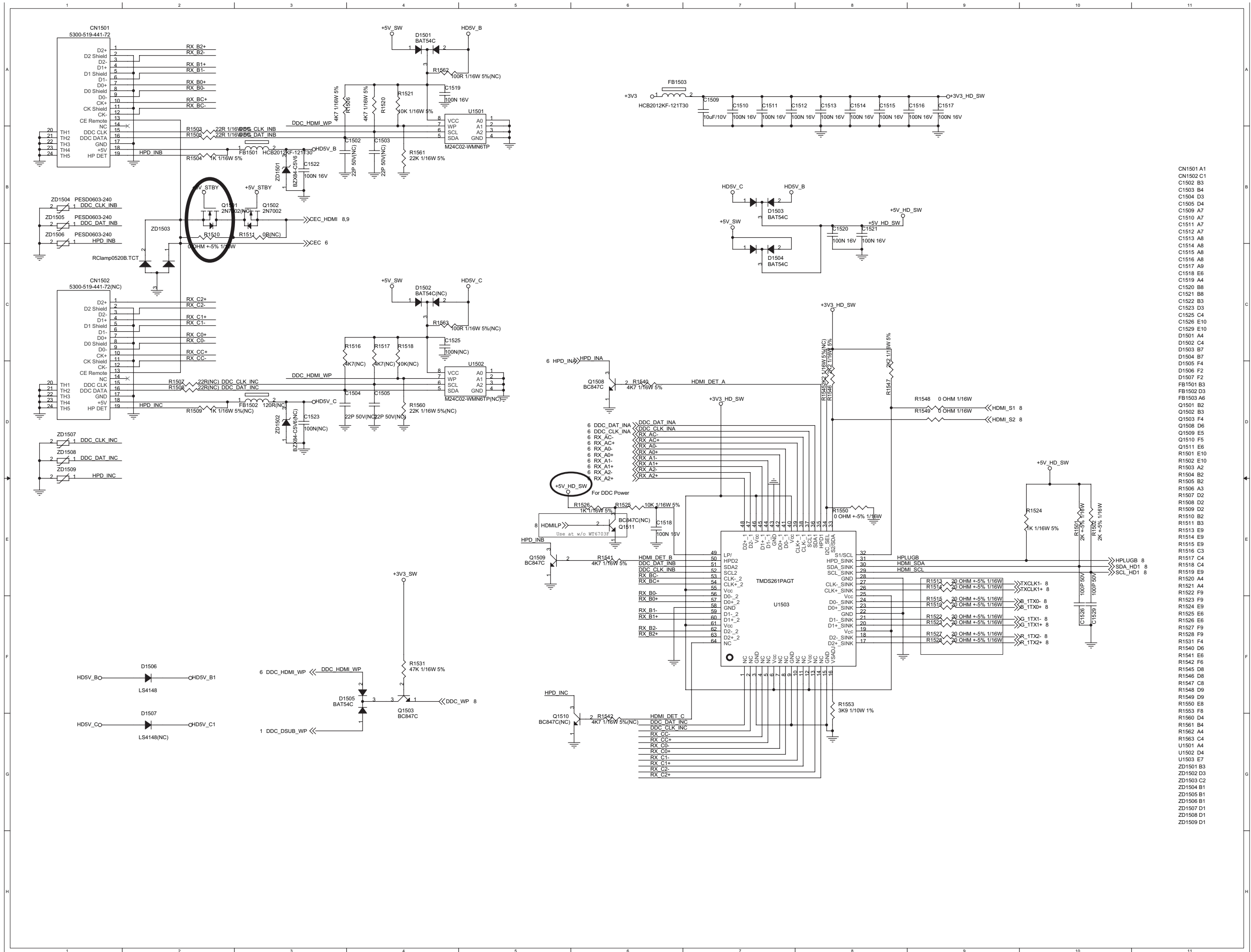


**LG TUNER**

**XG TUNER**

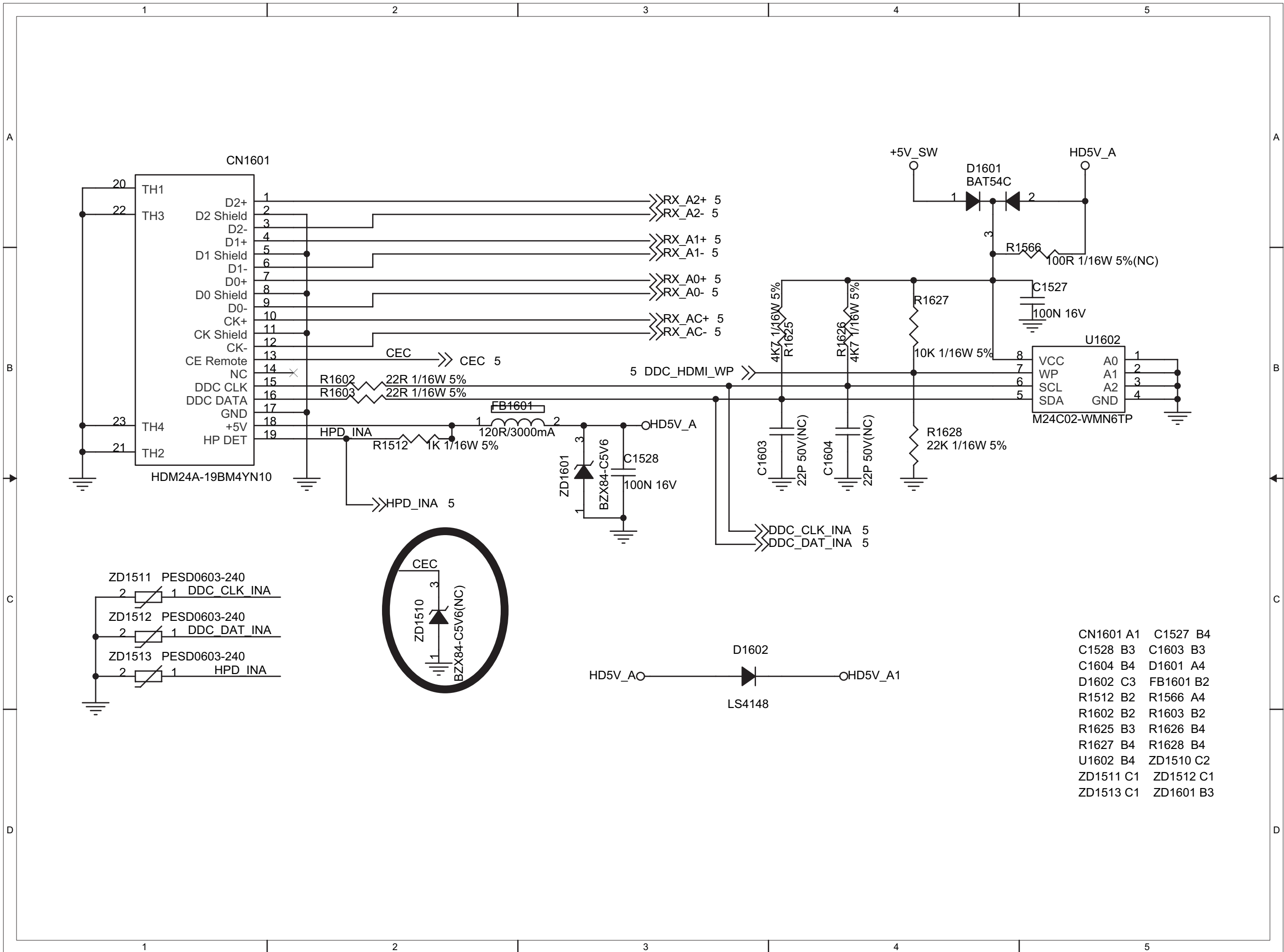
- C1101 A2
- C1104 A3
- C1105 A4
- C1106 A3
- C1108 D3
- C1109 D4
- C1110 B2
- C1111 B3
- C1112 B4
- C1113 B4
- C1114 D4
- C1115 A3
- C1117 D3
- C1118 B2
- C1119 C3
- C1120 B4
- C1127 B3
- C1128 B3
- FB1101 D3
- L1101 A4
- Q1101 C2
- R1105 D4
- R1106 D4
- R1107 B3
- R1108 B3
- R1109 D5
- R1113 B2
- R1114 A4
- R1115 A4
- R1116 D4
- R1117 B2
- R1119 D2
- R1120 B3
- R1121 C3
- R1122 D3
- R1123 C3
- R1124 B3
- TU1103 A6
- TU1104 A1

05. HDMI OUTPUT 1

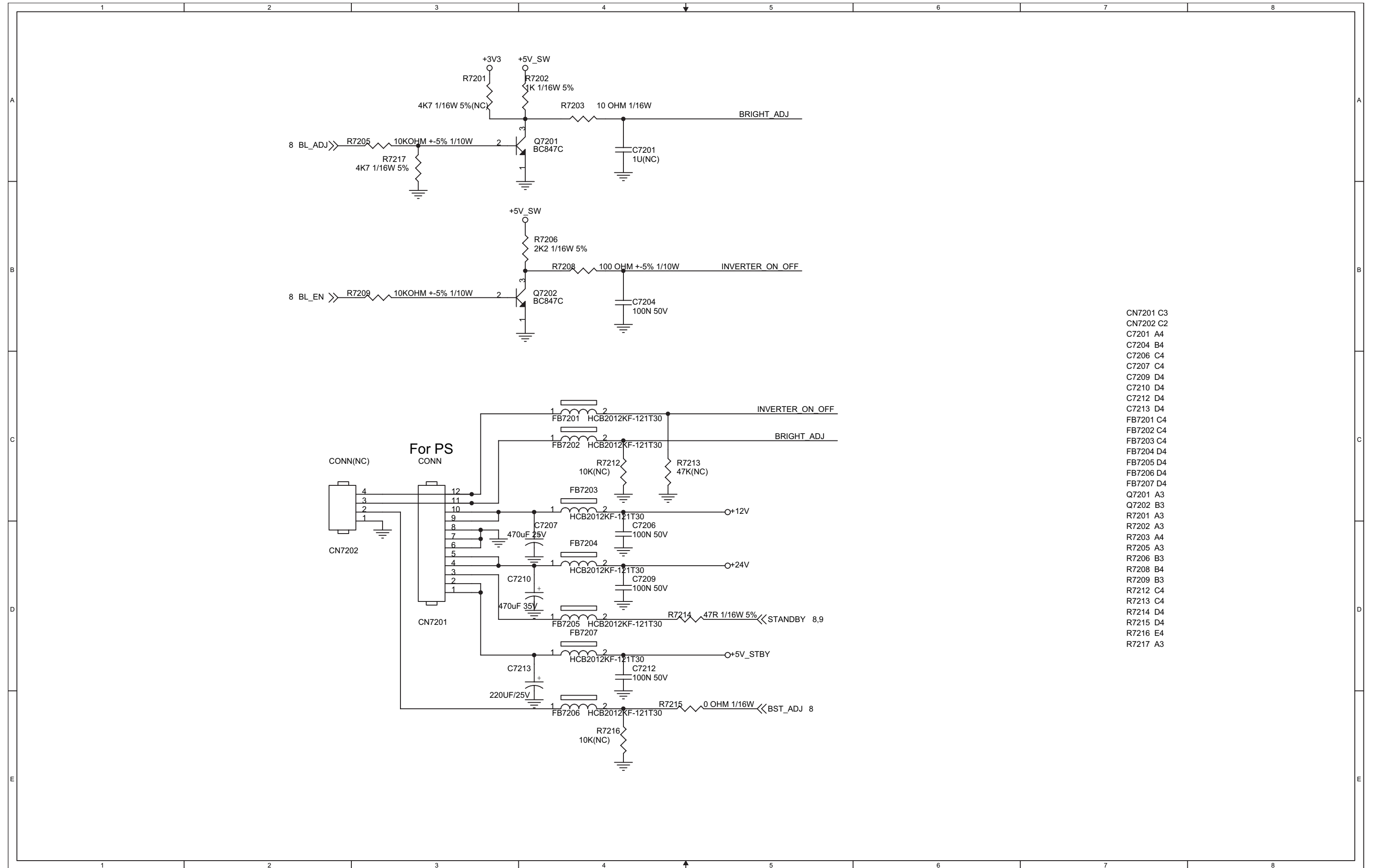


- CN1501 A1
- CN1502 C1
- C1502 B3
- C1503 B4
- C1504 D3
- C1505 D4
- C1509 A7
- C1510 A7
- C1511 A7
- C1512 A7
- C1513 A8
- C1514 A8
- C1515 A8
- C1516 A8
- C1517 A9
- C1518 E6
- C1519 A4
- C1520 B8
- C1521 B8
- C1522 B3
- C1523 D3
- C1525 C4
- C1526 E10
- C1529 E10
- D1501 A4
- D1502 C4
- D1503 B7
- D1504 B7
- D1505 F4
- D1506 F2
- D1507 F2
- FB1501 B3
- FB1502 D3
- FB1503 A6
- Q1501 B2
- Q1502 B3
- Q1503 F4
- Q1508 D6
- Q1509 E5
- Q1510 F5
- Q1511 E6
- R1501 E10
- R1502 A2
- R1503 B2
- R1504 B2
- R1505 B2
- R1506 A3
- R1507 D2
- R1508 D2
- R1509 D2
- R1510 B2
- R1511 B3
- R1513 E9
- R1514 E9
- R1515 E9
- R1516 C3
- R1517 C4
- R1518 C4
- R1519 E9
- R1520 A4
- R1521 A4
- R1522 F9
- R1523 F9
- R1524 E9
- R1525 E6
- R1526 E6
- R1527 F9
- R1528 F9
- R1531 F4
- R1540 D6
- R1541 E6
- R1542 F6
- R1545 D8
- R1546 D8
- R1547 C8
- R1548 D9
- R1549 D9
- R1550 E8
- R1553 F8
- R1560 D4
- R1561 B4
- R1562 A4
- R1563 C4
- U1501 A4
- U1502 D4
- U1503 E7
- ZD1501 B3
- ZD1502 D3
- ZD1503 C2
- ZD1504 B1
- ZD1505 B1
- ZD1506 B1
- ZD1507 D1
- ZD1508 D1
- ZD1509 D1

06. HDMI OUPUT 2

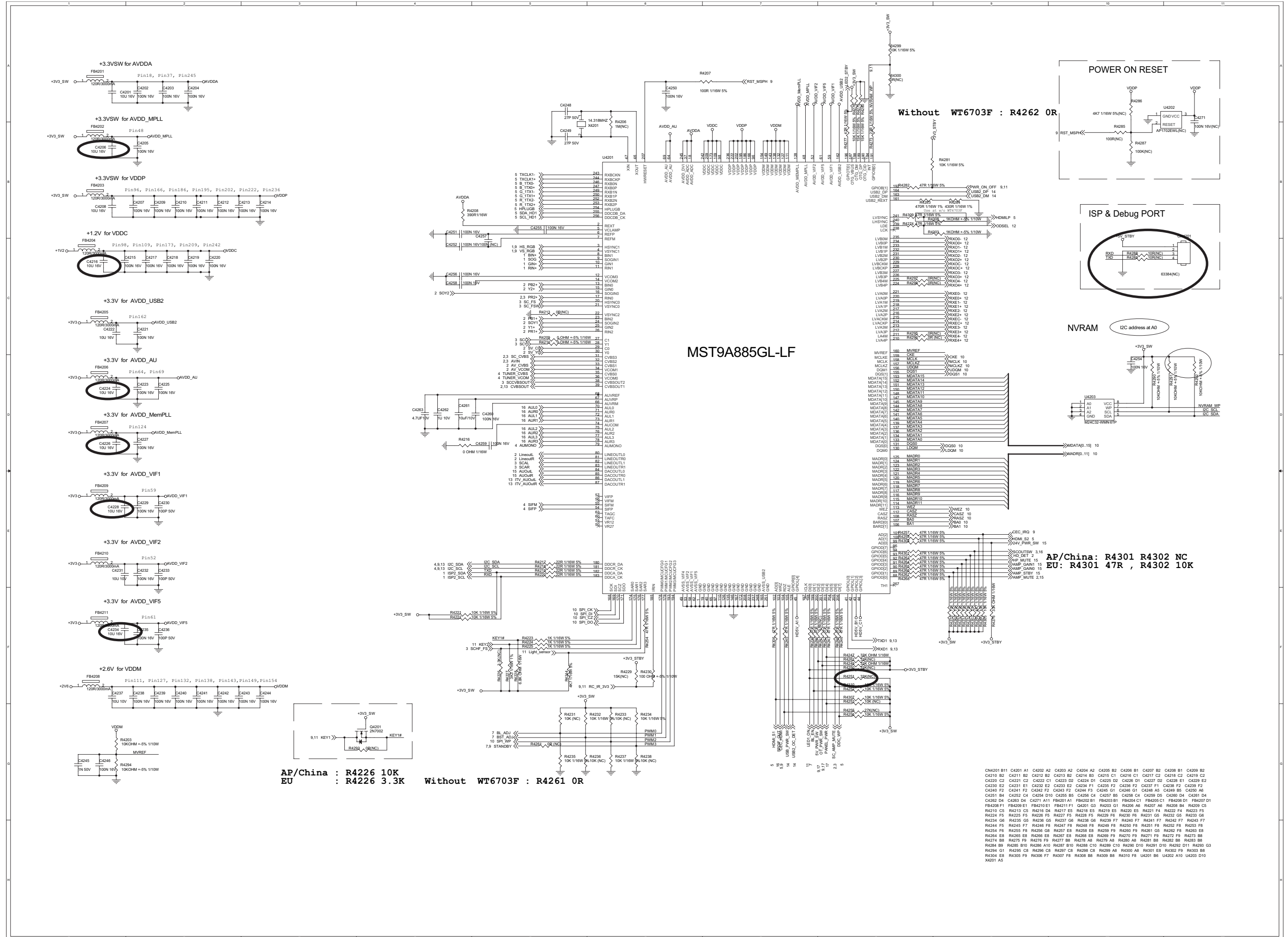


07. LIPS&INVERTER I/F

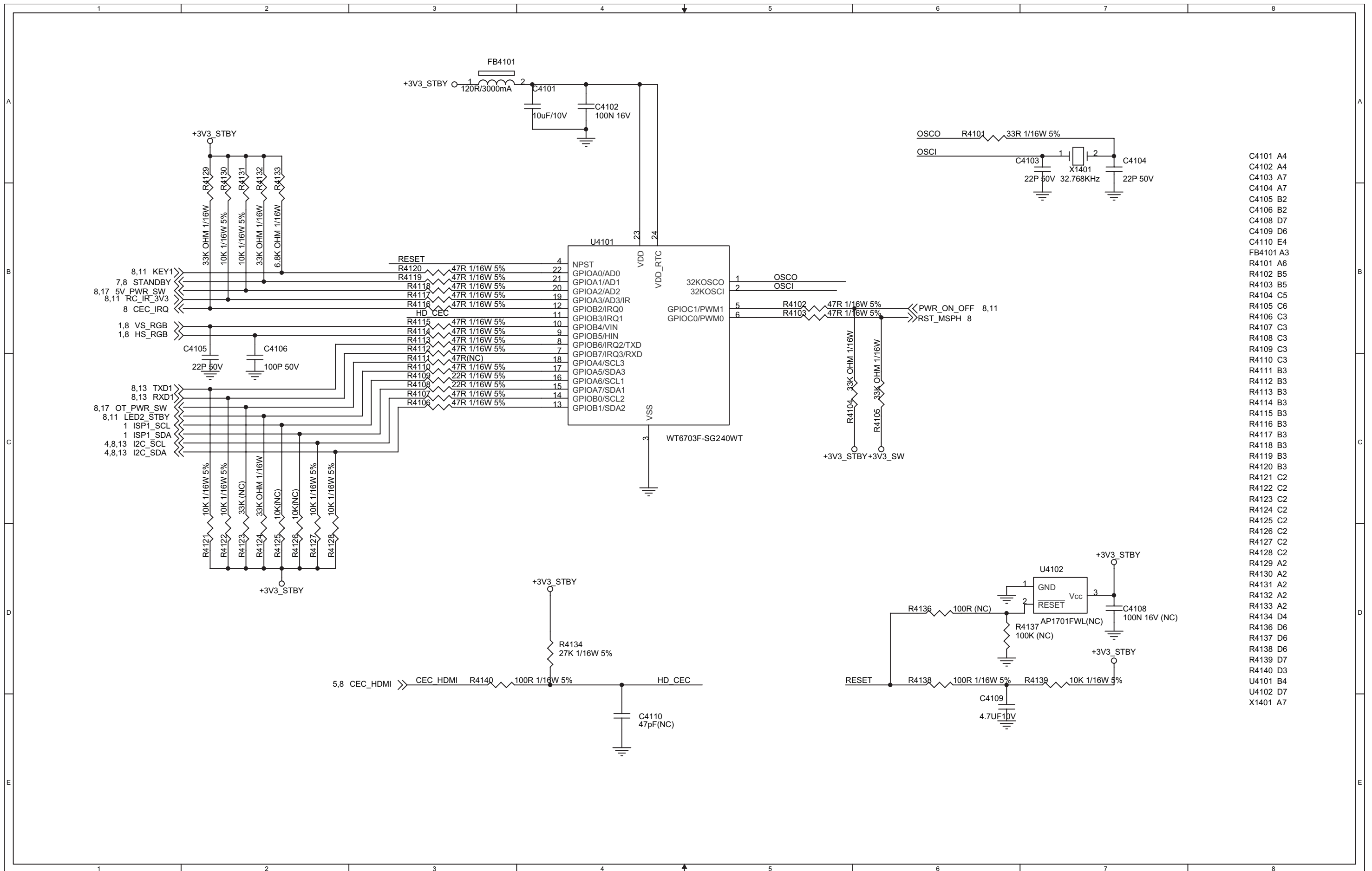


- CN7201 C3
- CN7202 C2
- C7201 A4
- C7204 B4
- C7206 C4
- C7207 C4
- C7209 D4
- C7210 D4
- C7212 D4
- C7213 D4
- FB7201 C4
- FB7202 C4
- FB7203 C4
- FB7204 D4
- FB7205 D4
- FB7206 D4
- FB7207 D4
- Q7201 A3
- Q7202 B3
- R7201 A3
- R7202 A3
- R7203 A4
- R7205 A3
- R7206 B3
- R7208 B4
- R7209 B3
- R7212 C4
- R7213 C4
- R7214 D4
- R7215 D4
- R7216 E4
- R7217 A3

08. SCALER MST6B885GL-1



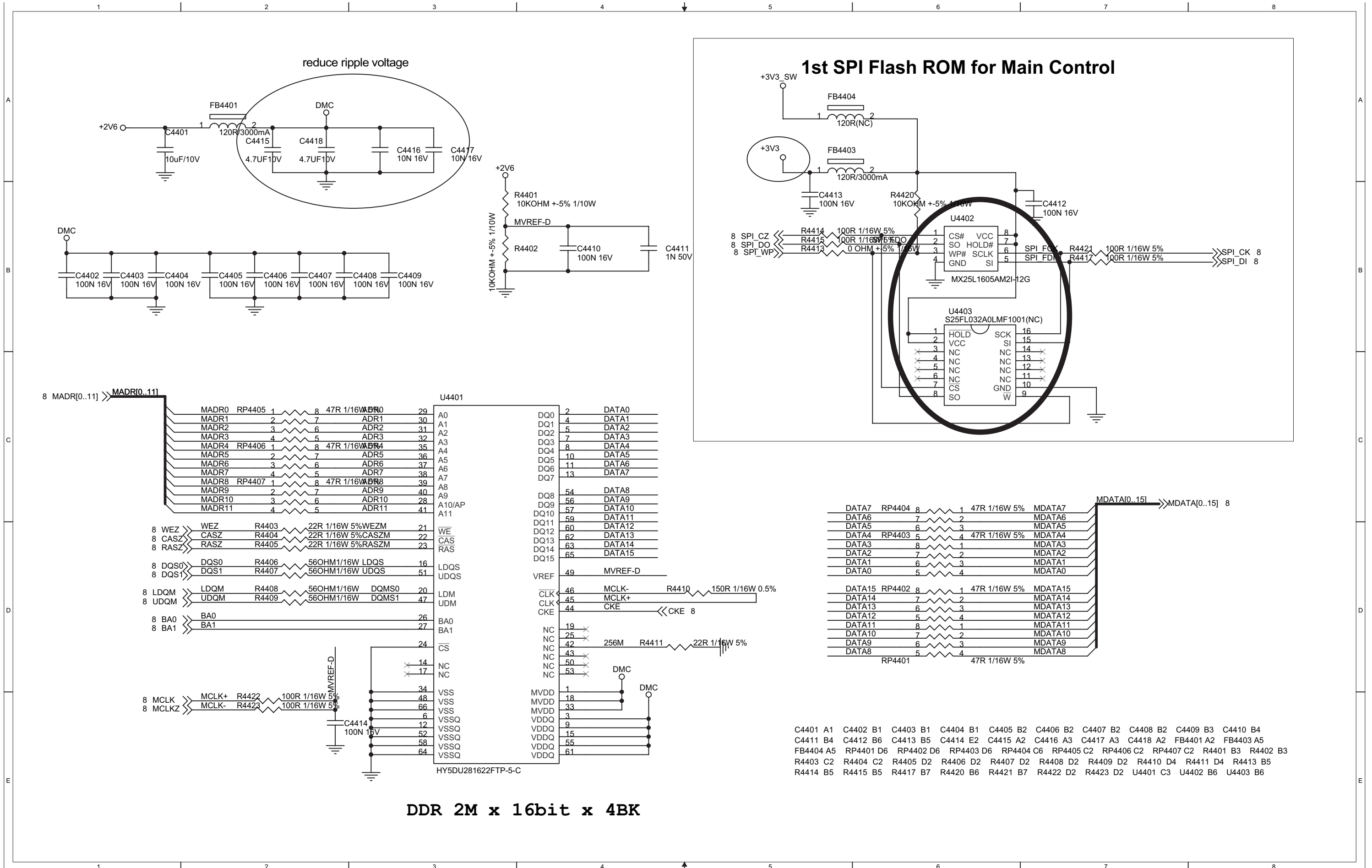
09. WT6703F(STANDBY MCU)



- C4101 A4
- C4102 A4
- C4103 A7
- C4104 A7
- C4105 B2
- C4106 B2
- C4108 D7
- C4109 D6
- C4110 E4
- FB4101 A3
- R4101 A6
- R4102 B5
- R4103 B5
- R4104 C5
- R4105 C6
- R4106 C3
- R4107 C3
- R4108 C3
- R4109 C3
- R4110 C3
- R4111 B3
- R4112 B3
- R4113 B3
- R4114 B3
- R4115 B3
- R4116 B3
- R4117 B3
- R4118 B3
- R4119 B3
- R4120 B3
- R4121 C2
- R4122 C2
- R4123 C2
- R4124 C2
- R4125 C2
- R4126 C2
- R4127 C2
- R4128 C2
- R4129 A2
- R4130 A2
- R4131 A2
- R4132 A2
- R4133 A2
- R4134 D4
- R4136 D6
- R4137 D6
- R4138 D6
- R4139 D7
- R4140 D3
- U4101 B4
- U4102 D7
- X1401 A7

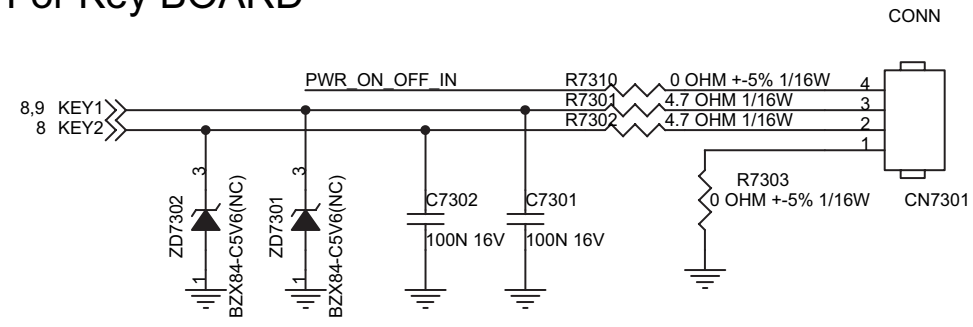


10. FLASH ROM&MEMOR

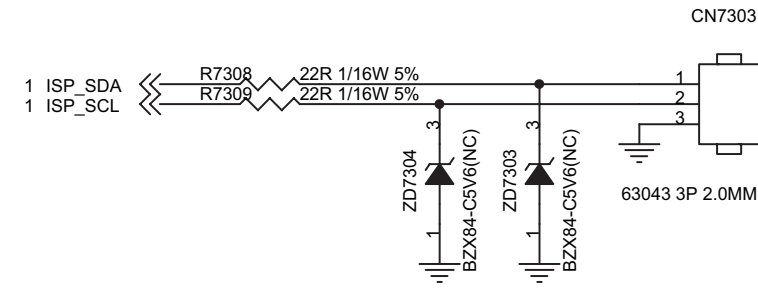


11.KEY,IR BD,COMPAIR I/F

For Key BOARD

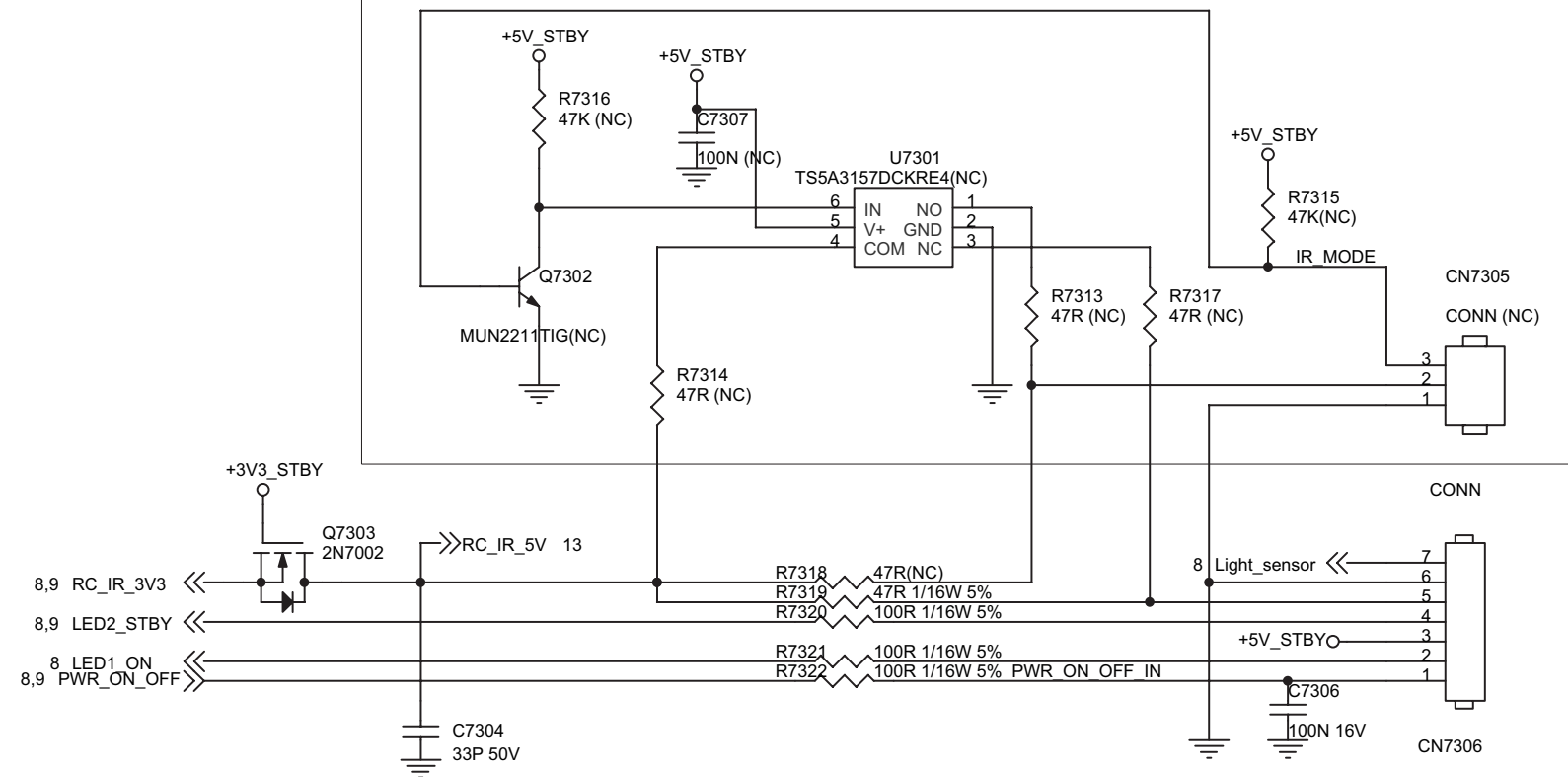


For Compair I/F



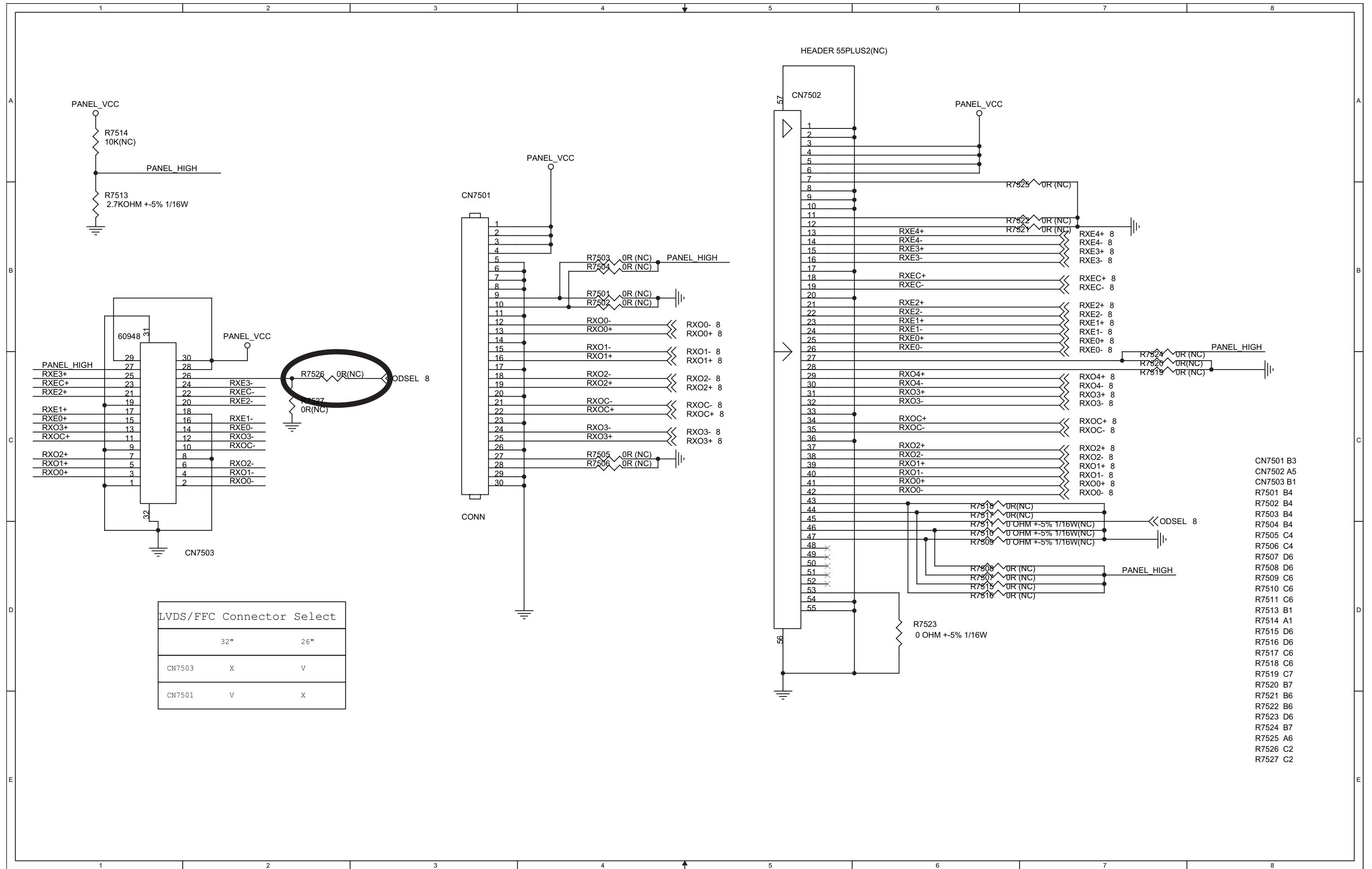
For IR BOARD

IR IN/OUT I/F for Serial Plug (ITV Level 2)



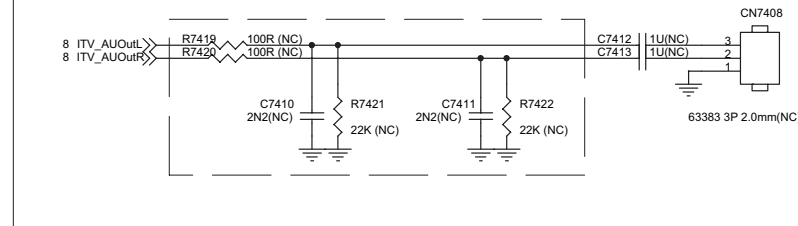
- CN7301 A3
- CN7303 A6
- CN7305 C5
- CN7306 D5
- C7301 A2
- C7302 A2
- C7304 D2
- C7306 D4
- C7307 C3
- Q7302 C2
- Q7303 D2
- R7301 A2
- R7302 A2
- R7303 A3
- R7308 A5
- R7309 A5
- R7310 A2
- R7313 C4
- R7314 C3
- R7315 C4
- R7316 B2
- R7317 C4
- R7318 D3
- R7319 D3
- R7320 D3
- R7321 D3
- R7322 D3
- U7301 C3
- ZD7301 A2
- ZD7302 A1
- ZD7303 A5
- ZD7304 A5

12.PANEL I/F

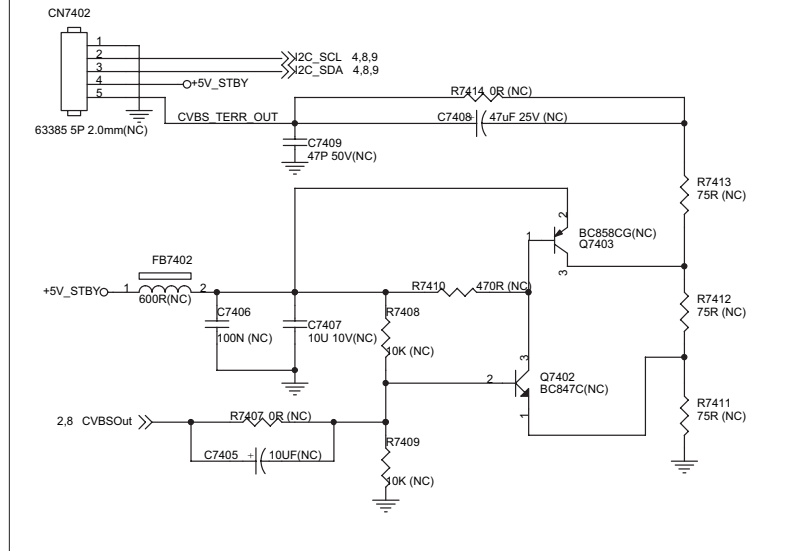


13. ITV I/F AND AOC HOTEL

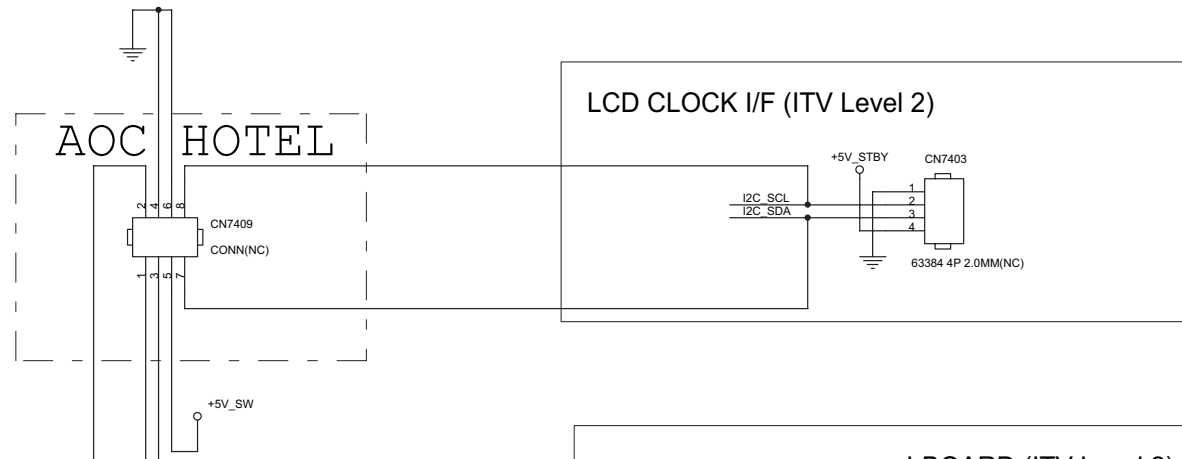
BATHROOM AUDIO IN I/F (ITV Level 2)



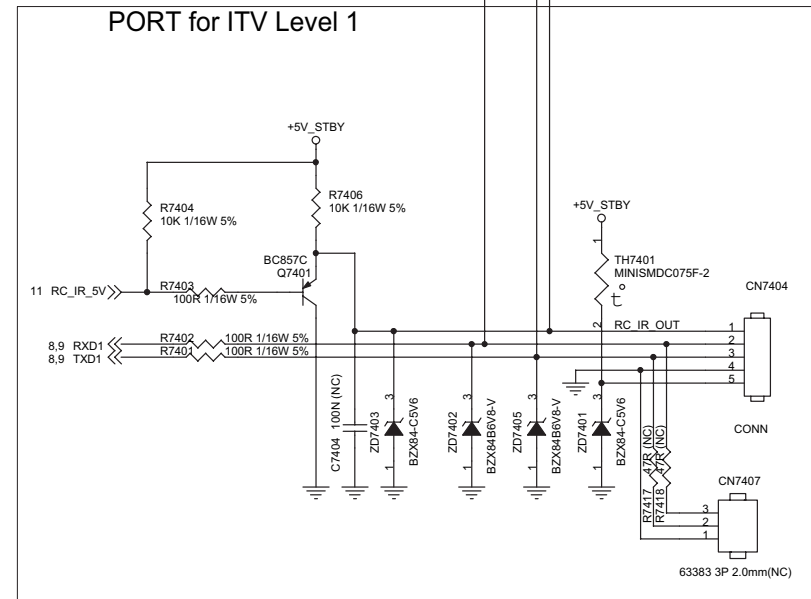
I-BOARD SYSTEM I/F (ITV Level 2)



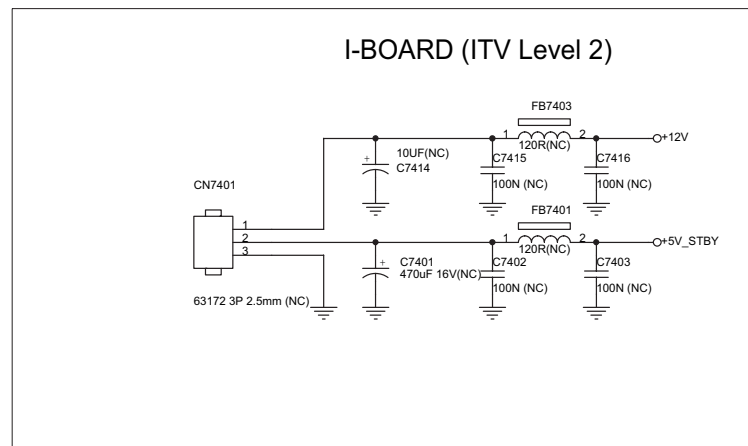
LCD CLOCK I/F (ITV Level 2)



PORT for ITV Level 1

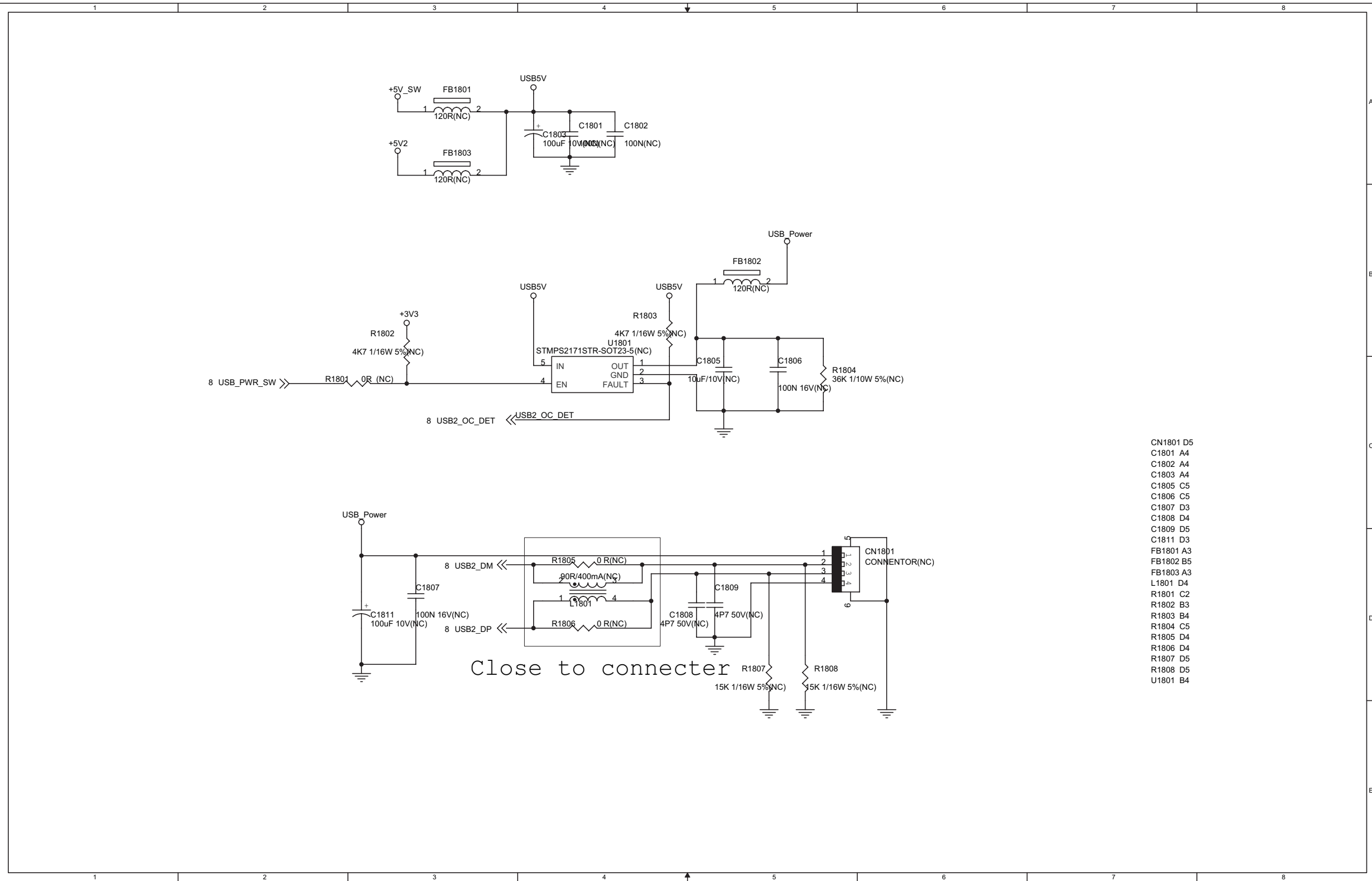


I-BOARD (ITV Level 2)



- CN7401 F6
- CN7402 A5
- CN7403 D6
- CN7404 G4
- CN7407 H4
- CN7408 B4
- CN7409 E3
- C7401 F6
- C7402 F7
- C7403 F7
- C7404 G2
- C7405 C5
- C7406 B5
- C7407 B6
- C7408 B6
- C7409 B6
- C7410 C2
- C7411 C3
- C7412 B3
- C7413 B3
- C7414 F6
- C7415 F7
- C7416 F7
- FB7401 F7
- FB7402 B5
- FB7403 F7
- Q7401 G2
- Q7402 C6
- Q7403 B7
- R7401 G2
- R7402 G2
- R7403 G2
- R7404 F1
- R7406 F2
- R7407 C5
- R7408 B6
- R7409 C6
- R7410 B6
- R7411 C7
- R7412 B7
- R7413 B7
- R7414 B6
- R7417 G4
- R7418 G4
- R7419 B2
- R7420 B2
- R7421 C2
- R7422 C3
- TH7401 G3
- ZD7401 G3
- ZD7402 G3
- ZD7403 G2
- ZD7405 G3

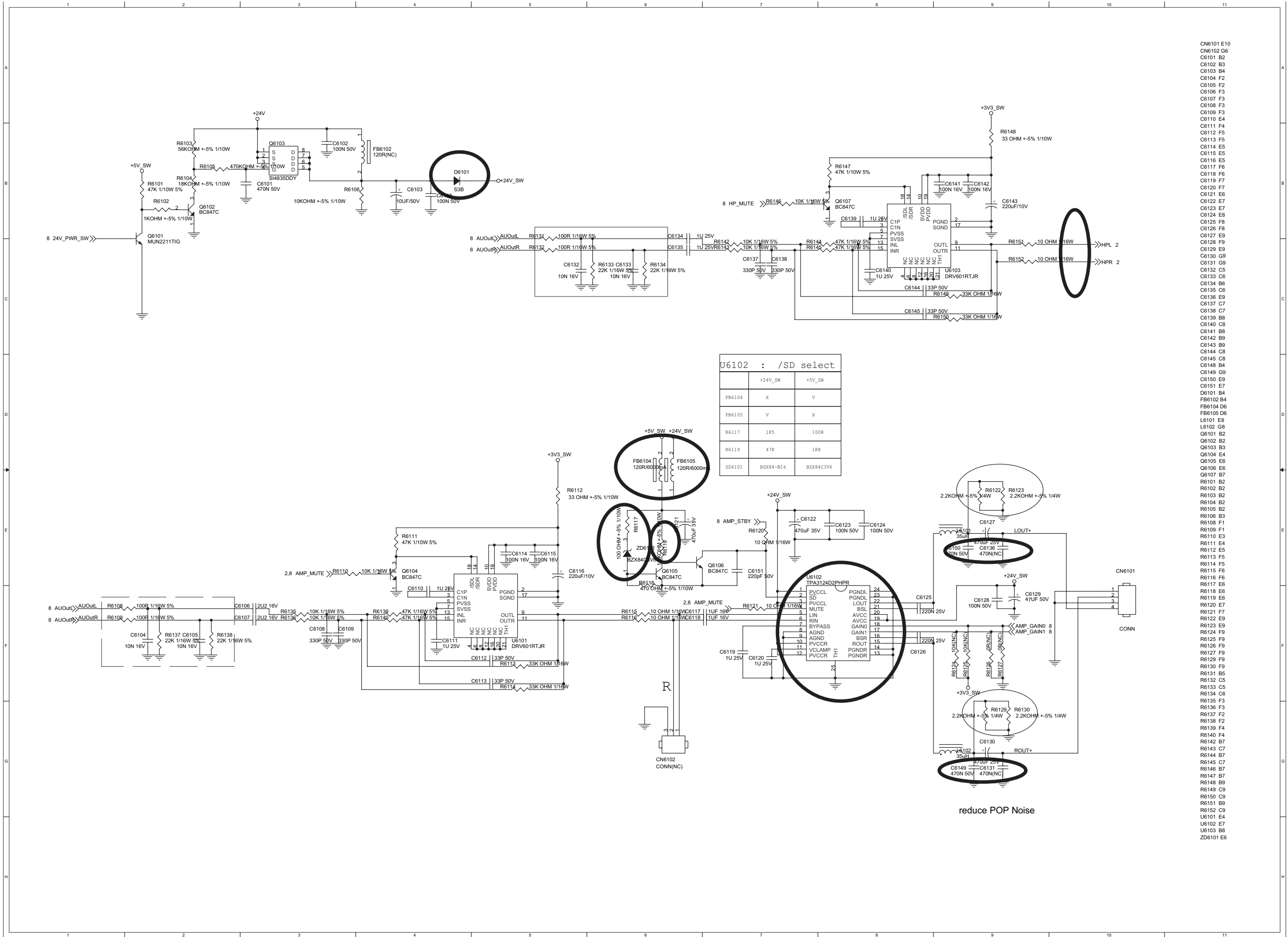
14. USB



- CN1801 D5
- C1801 A4
- C1802 A4
- C1803 A4
- C1805 C5
- C1806 C5
- C1807 D3
- C1808 D4
- C1809 D5
- C1811 D3
- FB1801 A3
- FB1802 B5
- FB1803 A3
- L1801 D4
- R1801 C2
- R1802 B3
- R1803 B4
- R1804 C5
- R1805 D4
- R1806 D4
- R1807 D5
- R1808 D5
- U1801 B4

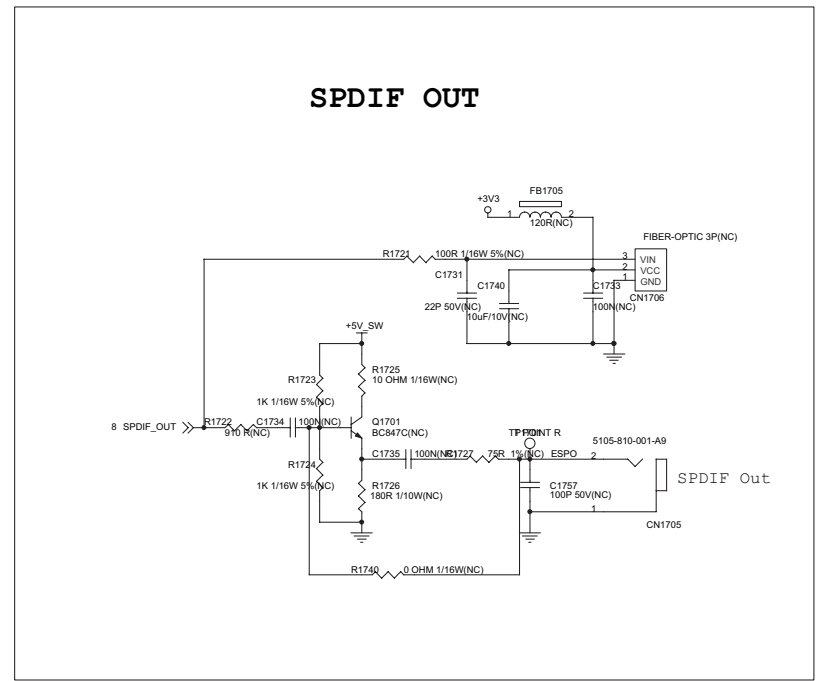
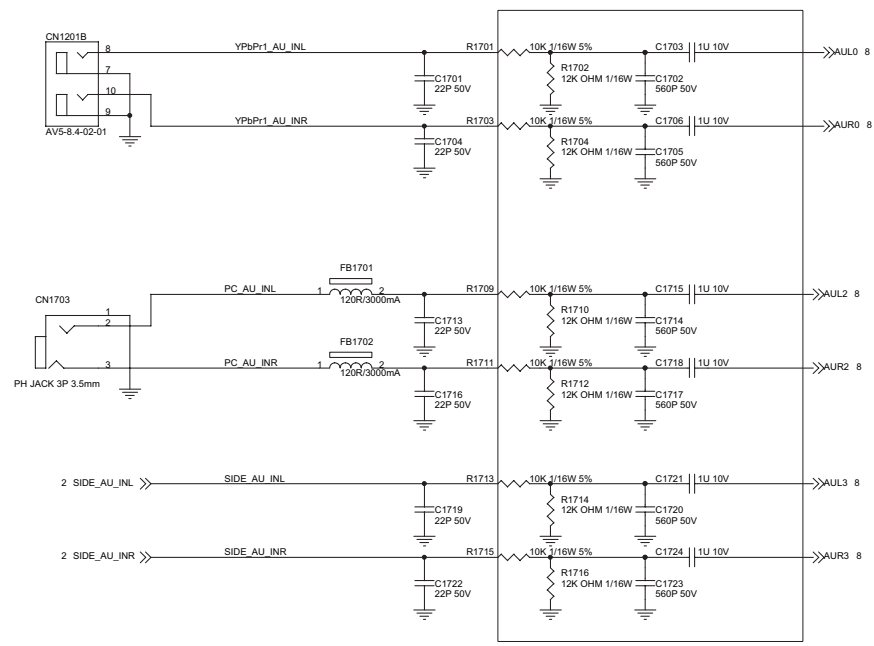
Close to connector

15. AUDIO /AMP



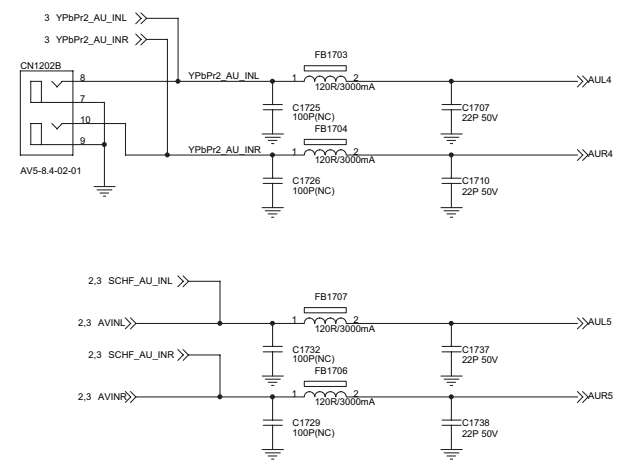
- CN6101 E10
- CN6102 G6
- C6101 B2
- C6102 B3
- C6103 B4
- C6104 F2
- C6105 F2
- C6106 F3
- C6107 F3
- C6108 F3
- C6109 F3
- C6110 E4
- C6111 F4
- C6112 F5
- C6113 F5
- C6114 E5
- C6115 E5
- C6116 E5
- C6117 F6
- C6118 F6
- C6119 F7
- C6120 F7
- C6121 E6
- C6122 E7
- C6123 E7
- C6124 E8
- C6125 F8
- C6126 F8
- C6127 E9
- C6128 F9
- C6129 E9
- C6130 G9
- C6131 G9
- C6132 C5
- C6133 C6
- C6134 B6
- C6135 C6
- C6136 E9
- C6137 C7
- C6138 C7
- C6139 B8
- C6140 C8
- C6141 B8
- C6142 B9
- C6143 B9
- C6144 C8
- C6145 C8
- C6146 B4
- C6149 G9
- C6150 E9
- C6151 E7
- D6101 B4
- FB6102 B4
- FB6104 D6
- FB6105 D6
- L6101 E8
- L6102 G8
- Q6101 B2
- Q6102 B2
- Q6103 B3
- Q6104 E4
- Q6105 E6
- Q6106 E6
- Q6107 B7
- Q6108 B2
- Q6109 B2
- R6102 B2
- R6103 B2
- R6104 B2
- R6105 B2
- R6106 B3
- R6108 F1
- R6109 F1
- R6110 E3
- R6111 E4
- R6112 E5
- R6113 F5
- R6114 F5
- R6115 F6
- R6116 F6
- R6117 E6
- R6118 E6
- R6119 E6
- R6120 E7
- R6121 F7
- R6122 E9
- R6123 E9
- R6124 F9
- R6125 F9
- R6126 F9
- R6127 F9
- R6129 F9
- R6130 F9
- R6131 B5
- R6132 C5
- R6133 C5
- R6134 C6
- R6135 F3
- R6136 F3
- R6137 F2
- R6138 F2
- R6139 F4
- R6140 F4
- R6142 B7
- R6143 C7
- R6144 B7
- R6145 C7
- R6146 B7
- R6147 B7
- R6148 B9
- R6149 C9
- R6150 C9
- R6151 B9
- R6152 C9
- U6101 E4
- U6102 E7
- U6103 B8
- ZD6101 E6

16. AUDIO I/F AND SPIDF OUT

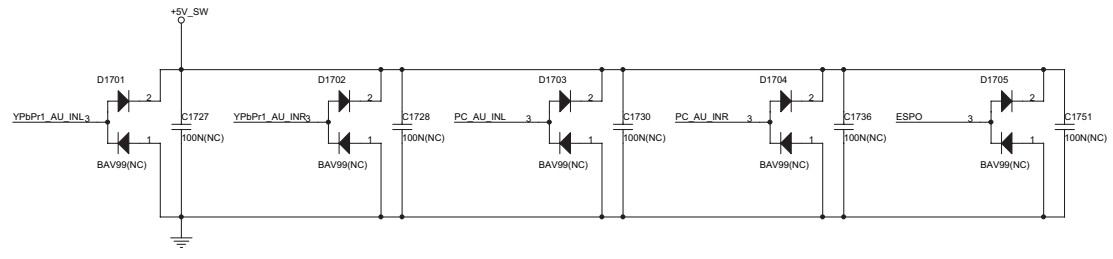
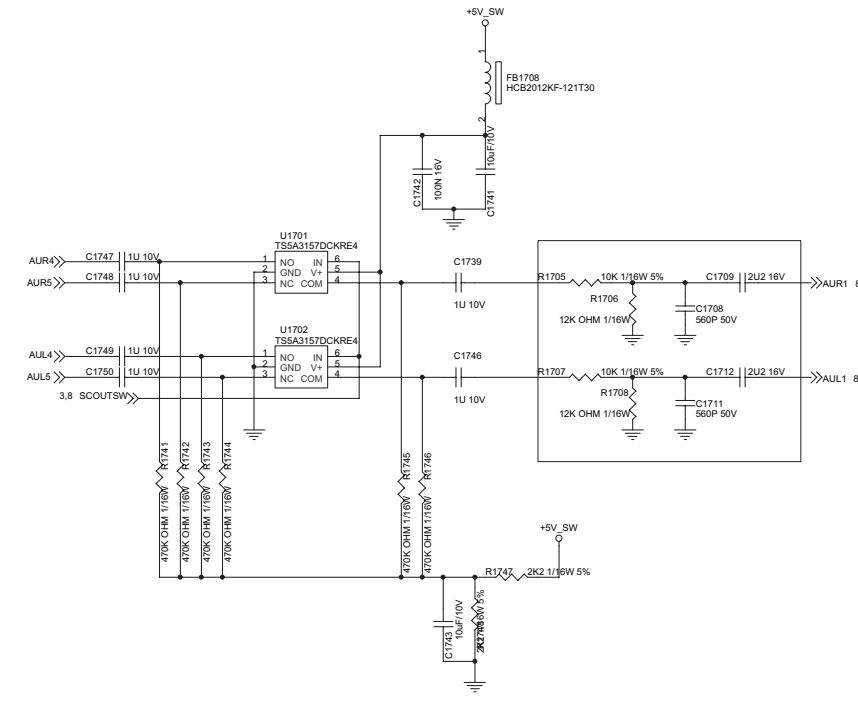


- CN1201B A1
- N1202B D1
- CN1703 B1
- CN1705 C8
- CN1706 B8
- C1701 A3
- C1702 A4
- C1703 A4
- C1704 B3
- C1705 B4
- C1706 A4
- C1707 E3
- C1708 E8
- C1709 E8
- C1710 E3
- C1711 F8
- C1712 F8
- C1713 B3
- C1714 B4
- C1715 B4
- C1716 C3
- C1717 C4
- C1718 B4
- C1719 C3
- C1720 C4
- C1721 C4
- C1722 C3
- C1723 C4
- C1724 C4
- C1725 E2
- C1726 E2
- C1727 G3
- C1728 G4
- C1729 F2
- C1730 G5
- C1731 B7
- C1732 F2
- C1733 B8
- C1734 O6
- C1735 C7
- C1736 G5
- C1737 F3
- C1738 F3
- C1739 E7
- C1740 B7
- C1741 E7
- C1742 E7
- C1743 G7
- C1746 F7
- C1747 E6
- C1748 E6
- C1749 E5
- C1750 F6
- C1751 G6
- C1757 C7
- D1701 G3
- D1702 G3
- D1703 G4
- D1704 G5
- D1705 G6
- FB1701 B2
- FB1702 B2
- FB1703 D2
- FB1704 E2
- FB1705 B7
- FB1706 F2
- FB1707 E2
- FB1708 D7
- Q1701 C7
- R1701 A3
- R1702 A3
- R1703 A3
- R1704 B3
- R1705 E8
- R1706 E8
- R1707 F8
- R1708 F8
- R1709 B3
- R1710 B3
- R1711 B3
- R1712 C3
- R1713 C3
- R1714 C3
- R1715 C3
- R1716 C3
- R1717 C3
- R1718 C3
- R1719 C3
- R1720 C6
- R1721 B7
- R1722 C6
- R1723 B7
- R1724 C7
- R1725 B7
- R1726 C7
- R1727 C7
- R1740 C7
- R1741 F6
- R1742 F6
- R1743 F6
- R1744 F6
- R1745 F7
- R1746 F7
- R1747 F7
- R1748 F7
- TP1701 C7
- U1701 E6
- U1702 E6

AP/China: C1725 NC ,C1726 NC  
 EU: C1725 100p ,C1726 100p , CN1202 NC



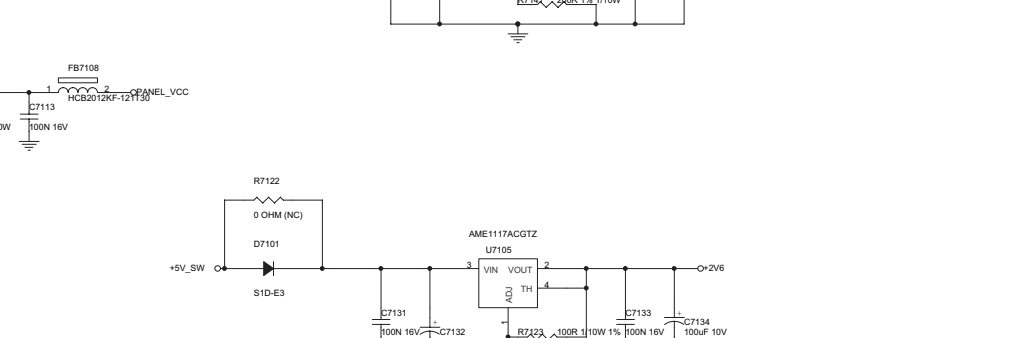
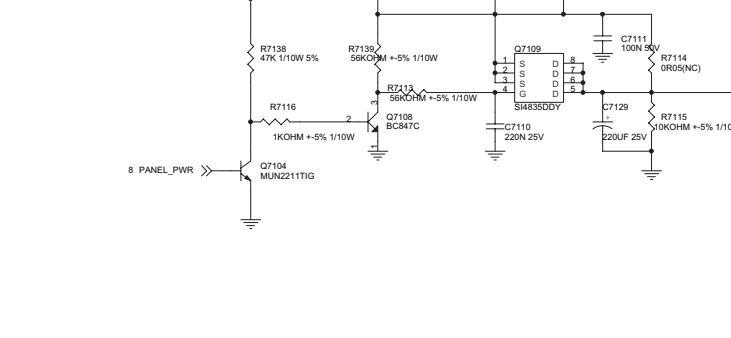
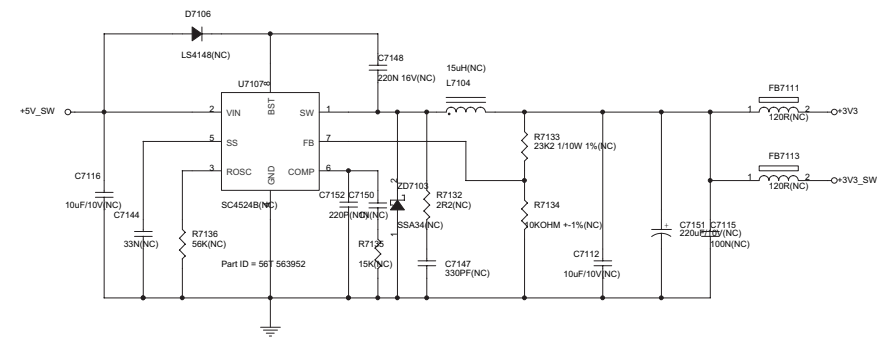
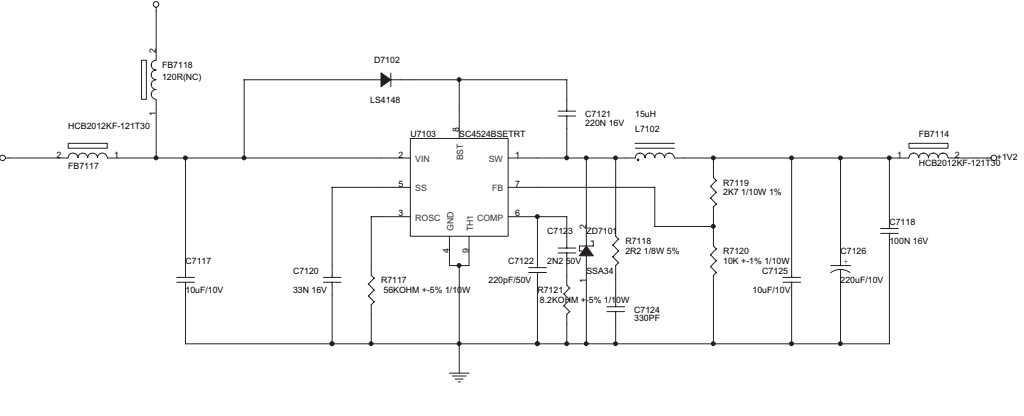
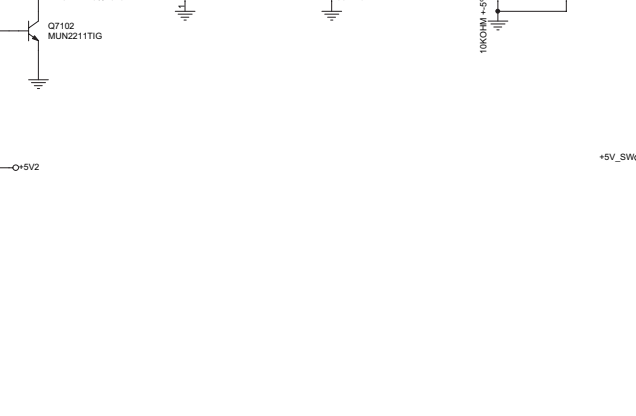
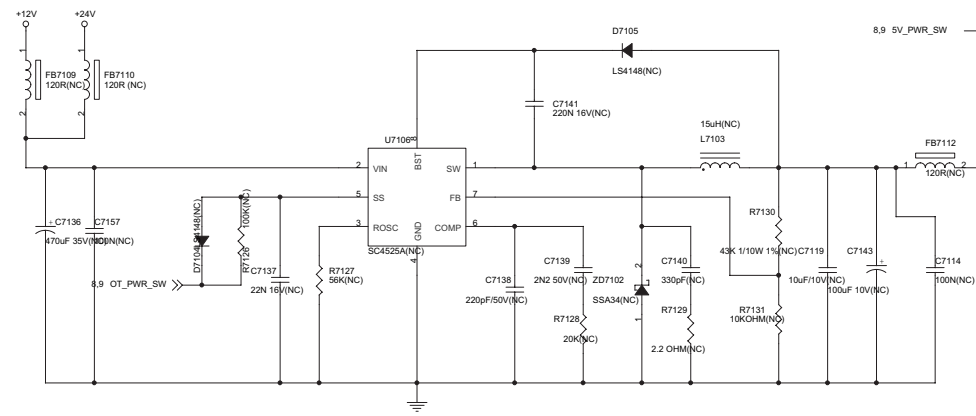
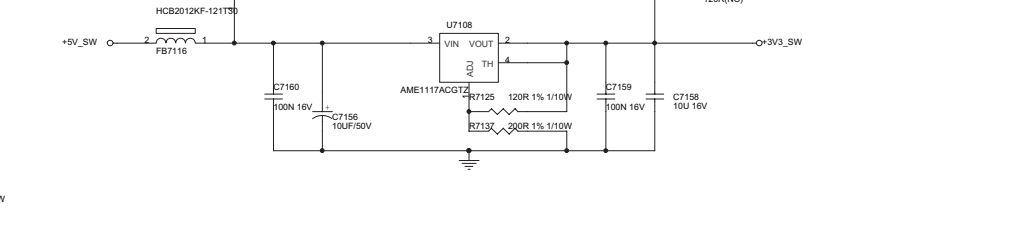
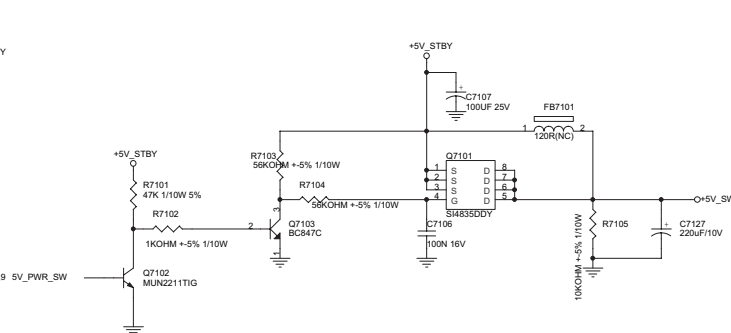
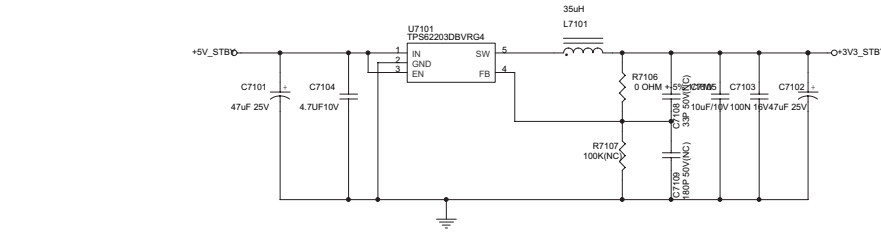
AP/China: C1732 NC ,C1729 NC  
 EU: C1732 100p ,C1729 100p , CN1207 NC



17. DC-DC POWER

IF use TPS6220 ADJ, then R7106:560K R7107:100K C7108:33p C7109:180p

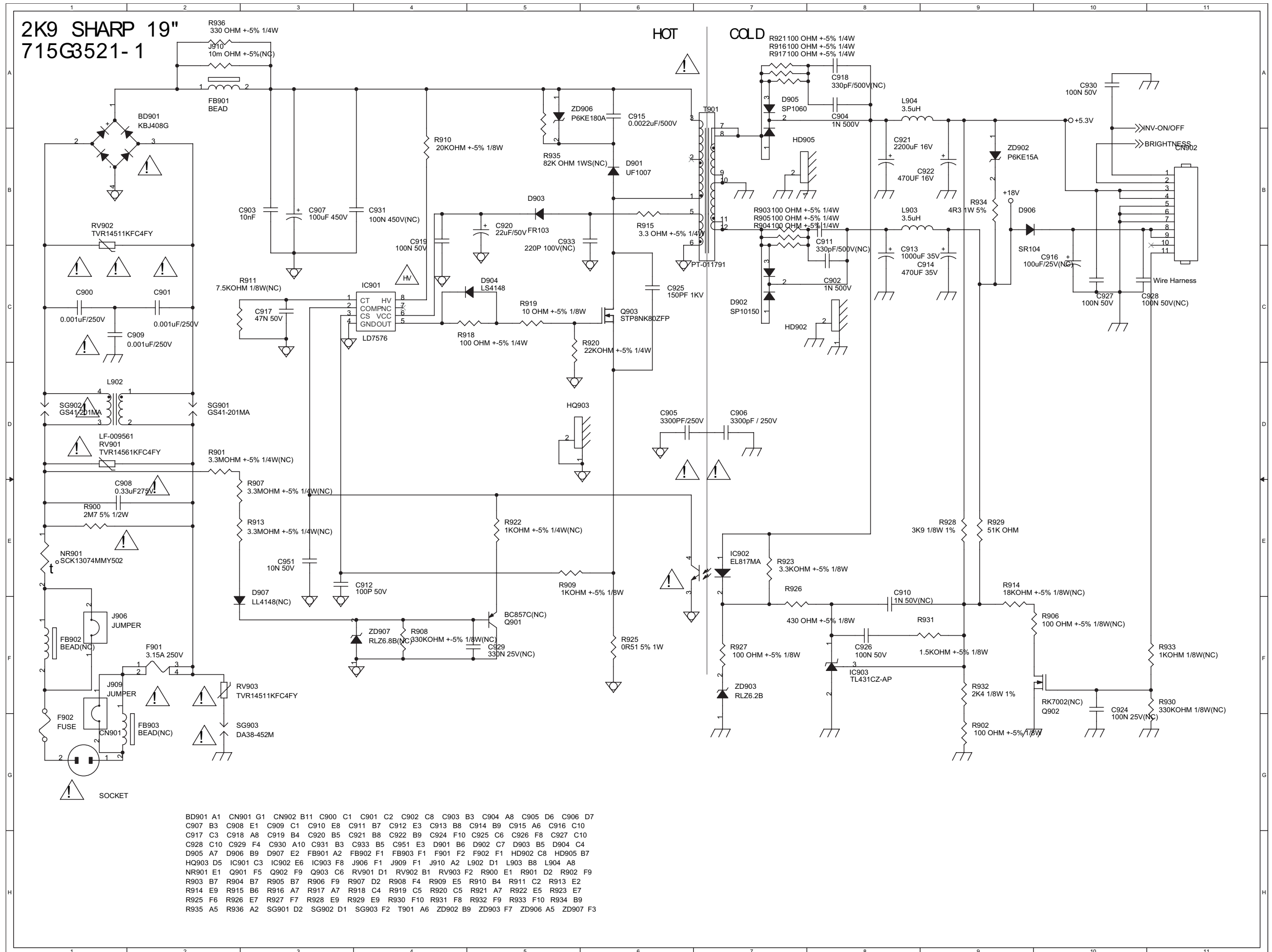
With WT6703F: FB7115 NC, FB7116 NEED  
W/O WT6703F : FB7115 Need, FB7116 NC



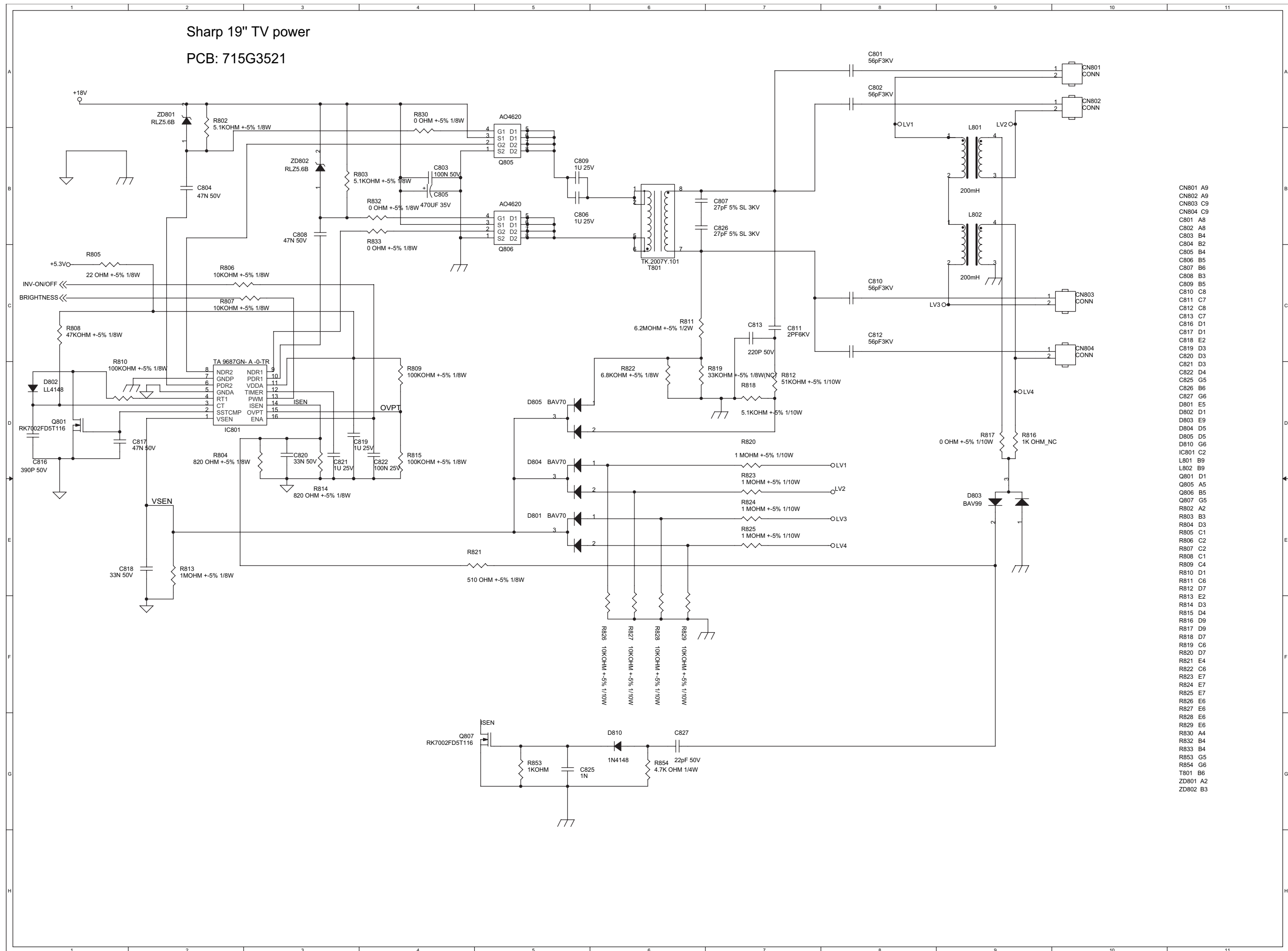
- C7101 B2 C7102 B4 C7103 B4 C7104 B2 C7105 B4
- C7106 B6 C7107 B6 C7108 B3 C7109 B3 C7110 F6
- C7111 E7 C7112 F3 C7113 F7 C7114 D4 C7115 F4
- C7116 F1 C7117 D6 C7118 C11 C7119 D4 C7120 D8
- C7121 C9 C7122 D9 C7123 C9 C7124 D10 C7125 D10
- C7126 C10 C7127 B7 C7128 F7 C7129 F9 C7130 F9
- C7131 F10 C7132 F10 C7133 C1 C7134 D2 C7135 D3
- C7136 D3 C7137 D3 C7138 D3 C7139 D3
- C7140 D3 C7141 C3 C7142 C4 C7143 C4 C7144 F1
- C7145 F2 C7146 E2 C7147 F2 C7148 F2 C7149 F2
- C7150 F2 C7151 F3 C7152 F2 C7153 F2
- C7154 B8 C7155 C1 C7156 B10 C7157 B10 C7158 B8
- C7159 B8 C7160 B8 C7161 E9 C7162 E10 C7163 E10 C7164 E9
- D7101 F8 D7102 C5 D7103 C1 D7104 C1 D7105 E1
- FB7101 B6 FB7102 E6 FB7103 E6 FB7104 E7 FB7105 C1
- FB7106 C1 FB7107 E4 FB7108 C4 FB7109 F4 FB7110 C11
- FB7111 A4 FB7112 B8 FB7113 C7 FB7114 C8 FB7115 A10
- L7101 B3 L7102 C10 L7103 C4 L7104 E2 Q7101 B6
- Q7102 C5 Q7103 B5 Q7104 F5 Q7105 F6 Q7106 E6
- R7101 B5 R7102 B5 R7103 B5 R7104 B5 R7105 B7
- R7106 B3 R7107 B3 R7108 E6 R7109 E7 R7110 F7
- R7111 F5 R7112 D9 R7113 C10 R7114 C10 R7115 C10
- R7116 D9 R7117 F8 R7118 F9 R7119 G9 R7120 B9
- R7121 C2 R7122 D2 R7123 D3 R7124 D3 R7125 C4
- R7126 D4 R7127 F2 R7128 D3 R7129 D3 R7130 C4
- R7131 D4 R7132 F2 R7133 F3 R7134 F3 R7135 F2
- R7136 F1 R7137 B9 R7138 E5 R7139 E6 R7140 E8
- R7141 E9 U7101 B2 U7102 C9 U7103 F9 U7104 C2
- U7105 E2 U7106 B9 U7107 E9 ZD7101 C9 ZD7102 D3
- ZD7103 F2



[2] POWER SCHEMATIC DIAGRAM(19")

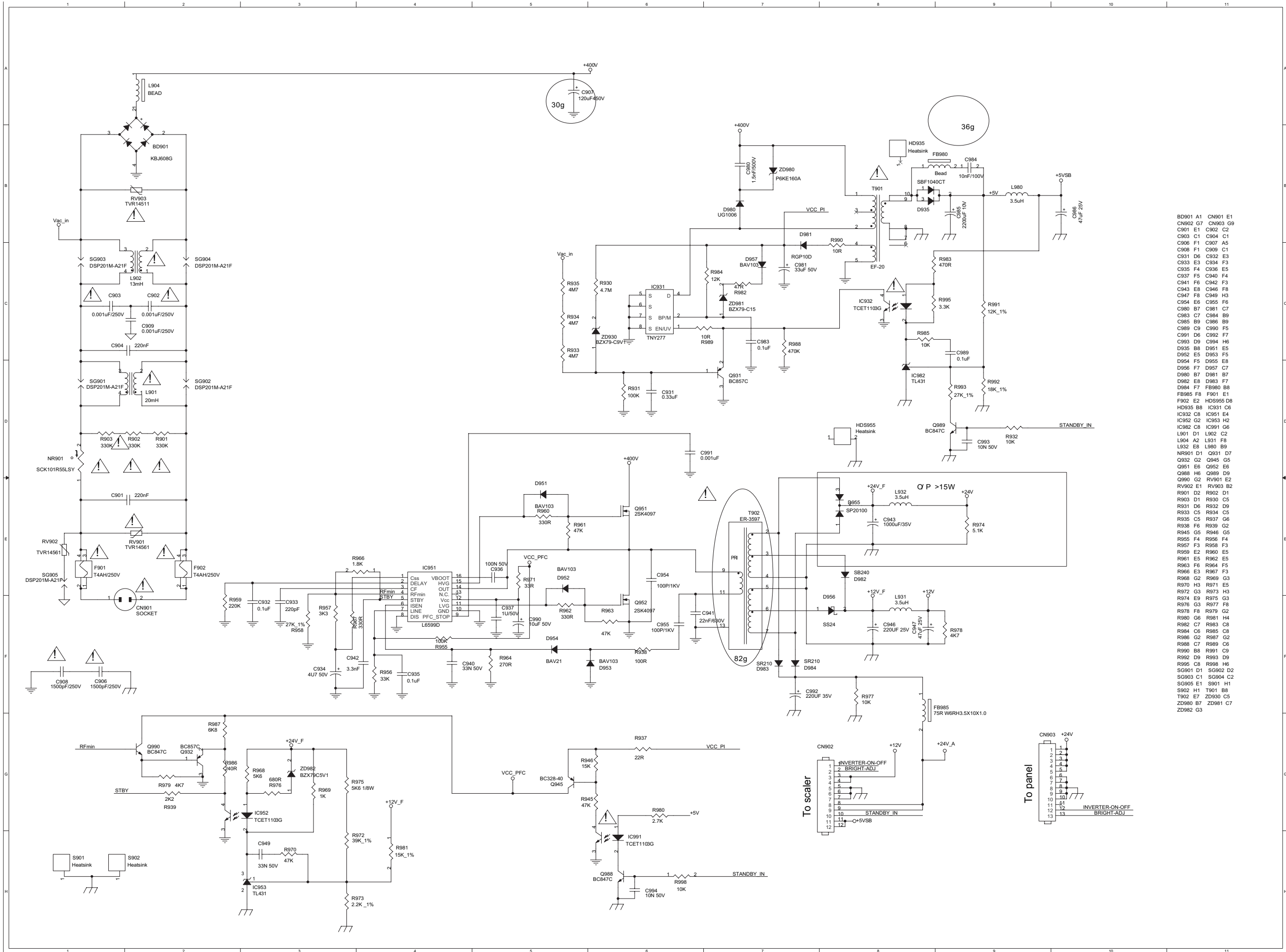


POWER SCHEMATIC DIAGRAM(19")



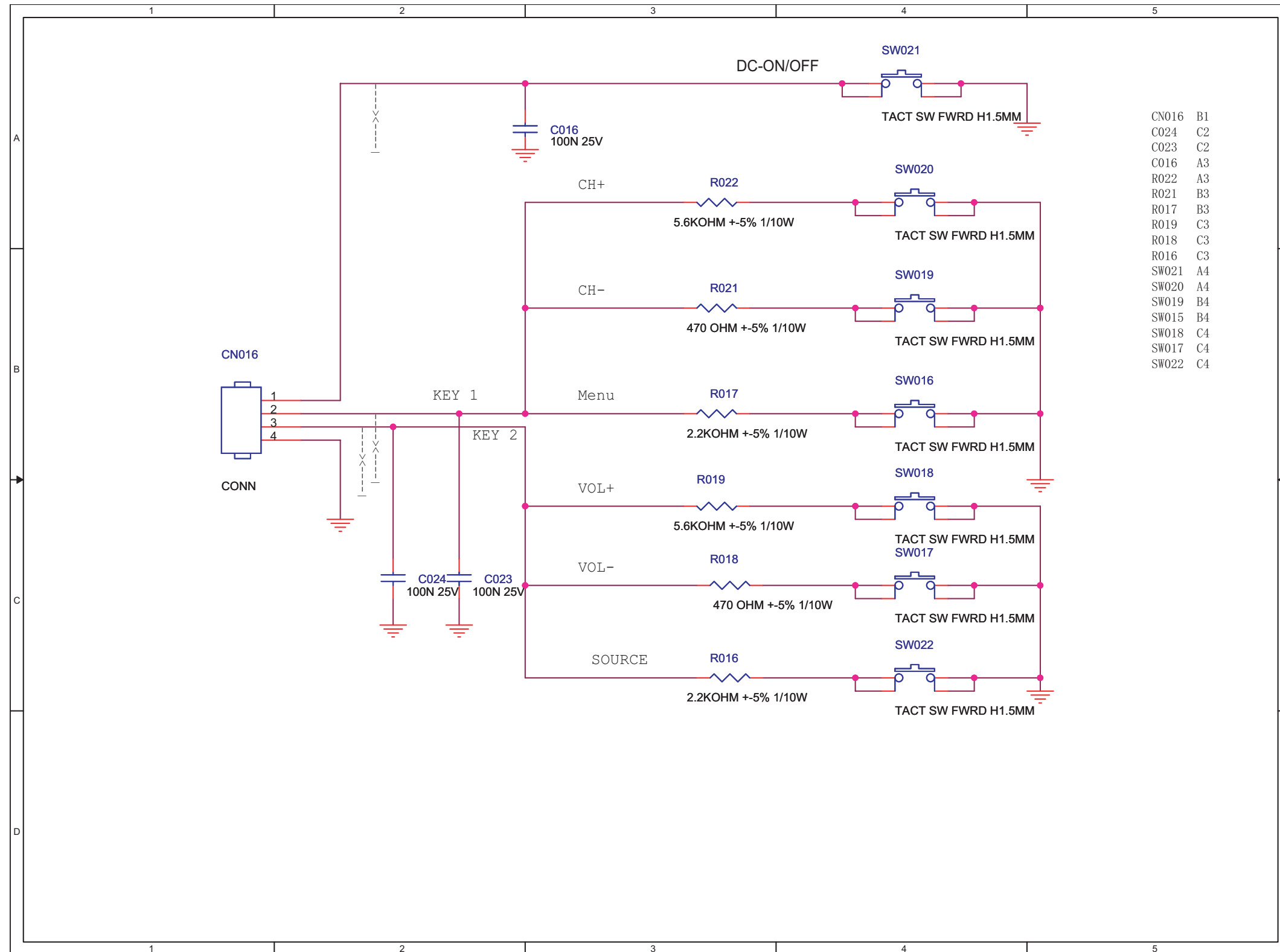
- CN801 A9
- CN802 A9
- CN803 C9
- CN804 C9
- C801 A8
- C802 A8
- C803 B4
- C804 B2
- C805 B4
- C806 B5
- C807 B6
- C808 B3
- C809 B5
- C810 C8
- C811 C7
- C812 C8
- C813 C7
- C816 D1
- C817 D1
- C818 E2
- C819 D3
- C820 D3
- C821 D3
- C822 D4
- C825 G5
- C826 B6
- C827 G6
- D801 E5
- D802 D1
- D803 E9
- D804 D5
- D805 D5
- D810 G6
- IC801 C2
- L801 B9
- L802 B9
- Q801 D1
- Q805 A5
- Q806 B5
- Q807 G5
- R802 A2
- R803 B3
- R804 D3
- R805 C1
- R806 C2
- R807 C2
- R808 C1
- R809 C4
- R810 D1
- R811 C6
- R812 D7
- R813 E2
- R814 D3
- R815 D4
- R816 D9
- R817 D9
- R818 D7
- R819 C6
- R820 D7
- R821 E4
- R822 C6
- R823 E7
- R824 E7
- R825 E7
- R826 E6
- R827 E6
- R828 E6
- R829 E6
- R830 A4
- R832 B4
- R833 B4
- R853 G5
- R854 G6
- T801 B6
- ZD801 A2
- ZD802 B3

POWER SCHEMATIC DIAGRAM(26" & 32")

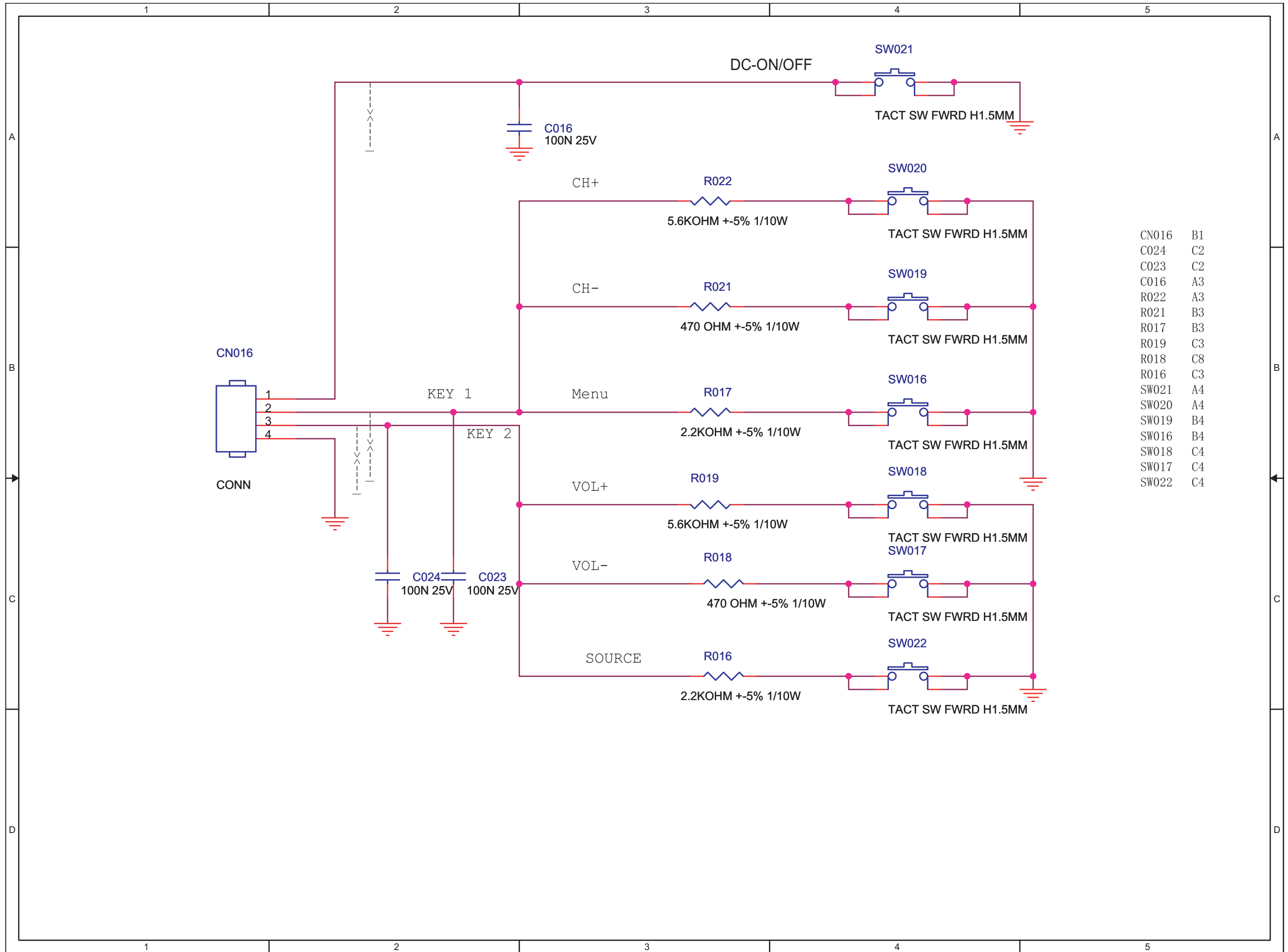


- BD901 A1
- CN902 G7
- CN903 G9
- C901 E1
- C902 C2
- C903 C1
- C904 C1
- C906 F1
- C907 A5
- C908 F1
- C909 C1
- C931 D6
- C932 E3
- C933 E3
- C934 F3
- C935 F4
- C936 E5
- C937 F5
- C940 F4
- C941 F6
- C942 F3
- C943 E8
- C946 F8
- C947 F8
- C949 H3
- C954 E6
- C955 F6
- C980 B7
- C981 C7
- C983 C7
- C984 B9
- C985 B9
- C986 B9
- C989 C9
- C990 F5
- C991 D6
- C992 F7
- C993 D9
- C994 H6
- D935 B8
- D951 E5
- D952 E5
- D953 F5
- D954 F5
- D955 E8
- D956 F7
- D957 C7
- D980 B7
- D981 B7
- D982 E8
- D983 F7
- D984 F7
- FB980 B8
- FB985 F9
- F901 E1
- F902 E2
- HDS955 D8
- HD935 B8
- IC931 C6
- IC932 C8
- IC951 E4
- IC952 G2
- IC953 H2
- IC982 C8
- IC991 G6
- L901 D1
- L902 C2
- L904 A2
- L931 F8
- L932 E8
- L980 B9
- NR901 D1
- Q931 D7
- Q932 G2
- Q945 G5
- Q951 E6
- Q952 E6
- Q988 H6
- Q989 D9
- Q990 G2
- RV901 E2
- RV902 E1
- RV903 B2
- R901 D2
- R902 D1
- R903 D1
- R930 C5
- R931 D6
- R932 D9
- R933 C5
- R934 C5
- R935 C5
- R937 G6
- R938 F6
- R939 G2
- R945 G5
- R946 G5
- R955 F4
- R956 F4
- R957 F3
- R958 F3
- R959 E2
- R960 E5
- R961 E5
- R962 E5
- R963 F6
- R964 F5
- R966 E3
- R967 F3
- R968 G2
- R969 G3
- R970 H3
- R971 E5
- R972 G3
- R973 H3
- R974 E9
- R975 G3
- R976 G3
- R977 F8
- R978 F8
- R979 G2
- R980 G6
- R981 H4
- R982 C7
- R983 C8
- R984 C6
- R985 C8
- R986 G2
- R987 G2
- R988 C7
- R989 C6
- R990 B8
- R991 C9
- R992 D9
- R993 D9
- R995 C8
- R996 H6
- SG901 D1
- SG902 D2
- SG903 C1
- SG904 C2
- SG905 E1
- S901 H1
- S902 H1
- T901 B8
- T902 E7
- ZD930 C5
- ZD980 B7
- ZD981 C7
- ZD982 G3
- CN901 E1
- CN902 C2
- CN903 C1
- CN904 C1
- CN905 A5
- CN909 C1
- CN932 E3
- CN934 F3
- CN936 E5
- CN940 F4
- CN942 F3
- CN946 F8
- CN949 H3
- CN955 F6
- CN981 C7
- CN984 B9
- CN986 B9
- CN990 F5
- CN992 F7
- CN994 H6
- CN995 D9
- CN996 B2
- CN902 D1
- CN903 C5
- CN932 D9
- CN934 C5
- CN937 G6
- CN939 G2
- CN946 G5
- CN956 F4
- CN958 F3
- CN960 E5
- CN962 E5
- CN964 F5
- CN967 F3
- CN969 G3
- CN971 E5
- CN973 H3
- CN975 G3
- CN977 F8
- CN979 G2
- CN981 H4
- CN983 C8
- CN985 C8
- CN987 G2
- CN989 C6
- CN991 C9
- CN993 D9
- CN995 C8
- SG902 D2
- SG904 C2
- S901 H1
- S902 H1
- T901 B8
- ZD981 C7

[3] KEY SCHEMATIC DIAGRAM(19")

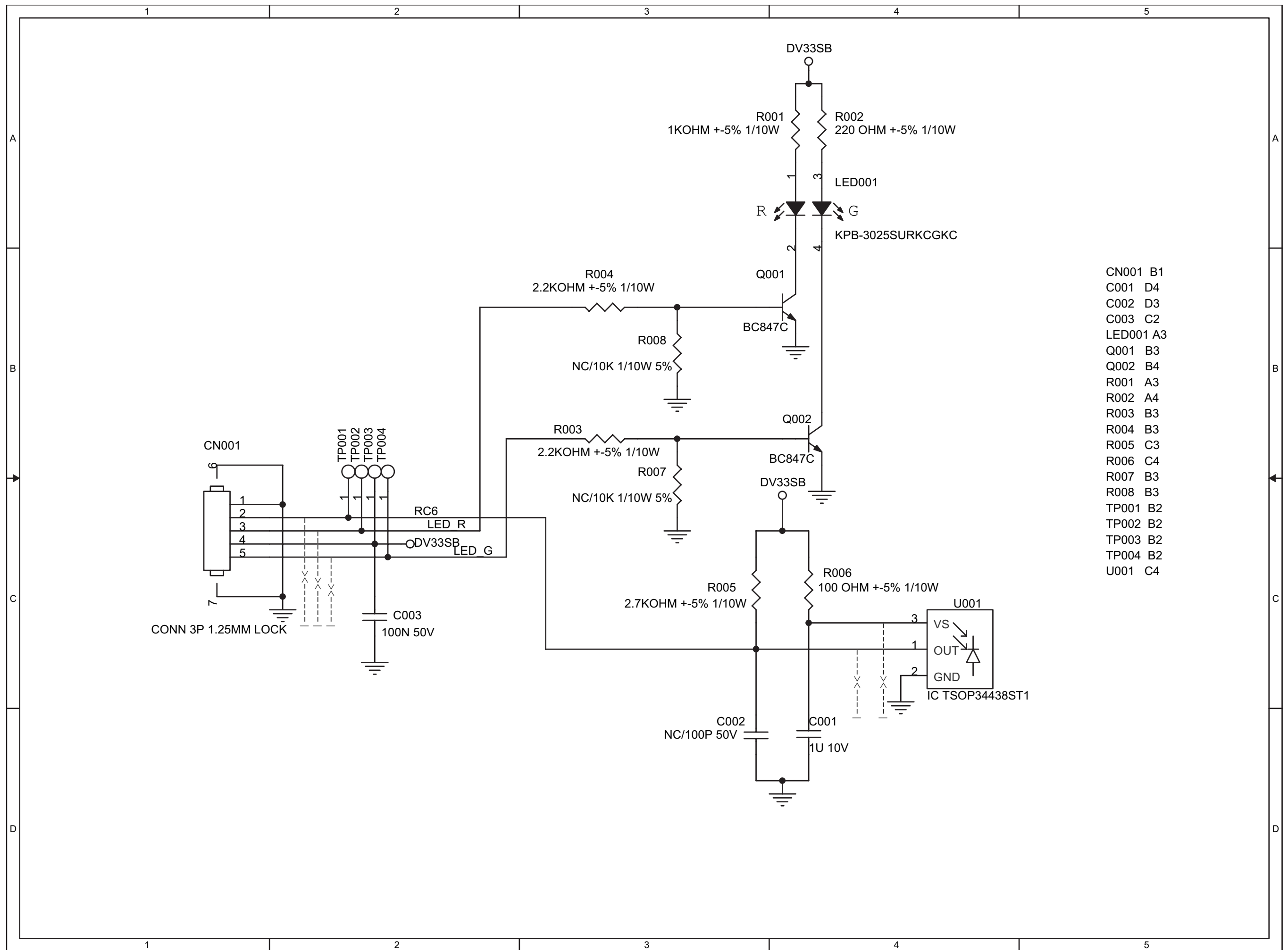


KEY SCHEMATIC DIAGRAM(26" & 32")



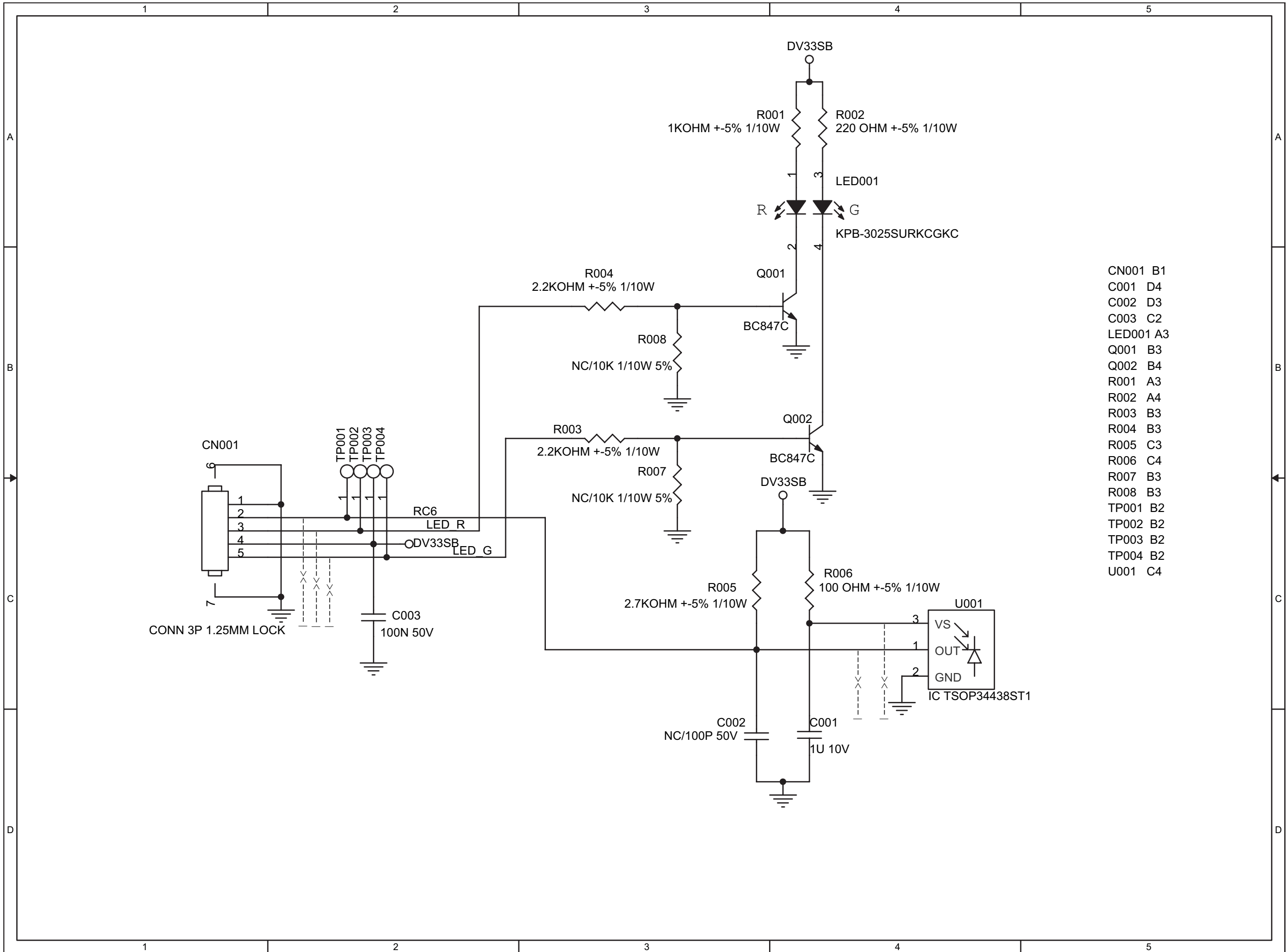
CN016	B1
C024	C2
C023	C2
C016	A3
R022	A3
R021	B3
R017	B3
R019	C3
R018	C8
R016	C3
SW021	A4
SW020	A4
SW019	B4
SW016	B4
SW018	C4
SW017	C4
SW022	C4

[4] IR SCHEMATIC DIAGRAM(19")



- CN001 B1
- C001 D4
- C002 D3
- C003 C2
- LED001 A3
- Q001 B3
- Q002 B4
- R001 A3
- R002 A4
- R003 B3
- R004 B3
- R005 C3
- R006 C4
- R007 B3
- R008 B3
- TP001 B2
- TP002 B2
- TP003 B2
- TP004 B2
- U001 C4

IR SCHEMATIC DIAGRAM(26" & 32")



- CN001 B1
- C001 D4
- C002 D3
- C003 C2
- LED001 A3
- Q001 B3
- Q002 B4
- R001 A3
- R002 A4
- R003 B3
- R004 B3
- R005 C3
- R006 C4
- R007 B3
- R008 B3
- TP001 B2
- TP002 B2
- TP003 B2
- TP004 B2
- U001 C4

## CHAPTER 9. PARTS GUIDE

## [1] SPARE PARTS LIST (LC-19S7E-BK)

Item	Component number	SHARP code	Description	Qty
1185	078G0030904 M	9JR7800000005	Speaker + wire assembly 8ohm 3w 100X30mm	1
8751	089G179E30H904	9JR8900000008	FFC CABLE 30P 280mm P1.0 117201-30466	1
1172	089G204A15NLS1	9JR8900000009	POWER CORD 1.5M PE8C5Z1B90A-04B	1
1177	092TB1JX1A3WGM	9JR9200000003	BATTERY FOR ALL EXPORT MODE LR03	2
8391	095G801411F906	9JR9500000045	HARNESS 7P+4P-4P+5P 270mm+160mm 75375-HF	1
1176	098GRABD1NESPJ	9JR9800000003	REMOTE CONTROL RC-GJ2100B-H FOR SHARP	1
98	0G1T1030 10 47 CR3	9JR0100000024	PAN HEAD WITH WASHER	5
99	0M1G 330 6 47 CR3	9JR0100000025	SCREW 42-D005390	2
96	0M1G1740 8 47 CR3	9JR0100000026	SCREW FOR GROUND 42-D000649	4
97	0M1T1430 8 47 CR3	9JR0100000027	Screw PHW M3-0.5x8 TPS Zi/BL	2
95	0Q1T 940 12 47 CR3	9JR0100000008	T4X12 SCREW	4
300	705GZ915020	9JR7050000045	MAIN FRAME ASSY	1
30	705GZ934125	9JR7050000046	BEZEL ASSY	1
40	705GZ934126	9JR7050000047	REAR COVER ASSY	1
50	705GZ934127	9JR7050000048	STAND ASSY	1
35	705GZ934128	9JR7050000049	KEY PAD ASSY	1
	705GZ941051	9JR7050000050	DFU ASSY	1
	705GZ941052	9JR7050000051	DFU ASSY	1
1050	750TVM185B1112N0SH	9JR7500000014	PANEL M185B1-L01 NB CMO	1
1053	CBPF93KBP5	9JR9900000023	MAIN PCB ASSY	1
1112	IRPF9PB2	9JR9900000024	IR PCB ASSY	1
1114	KEPF9PA6	9JR9900000025	KEY PCB ASSY	1
100	N02T6008 1	9JR0200000001	SCREW	2
94	P01T0006 1	9JR0100000028	SCREW (PH+W6#x15 HI-LO W=13)	4
501	P07T0062 1	9JR0700000002	SCREW (PH+W6#x15 HI-LO W=13)	1
304	P11G0023101	9JR1100000002	Wire Saddle Clip (CH-01U)	2
	P15T0558101	9JR1500000019	BRACKET_SIDE_ATV	1
	P16G0012 1	9JR1600000001	GASKET(25*16*8)	1
90	P34T0369PAA 1T0100	9JR3400000006	NECK	1
126	P40G 190843 2A	9JR4000000035	RATING LABEL	1
130	P40G000184311A	9JR4000000006	CARTON LABEL	1
	P40G0002843 6A	9JR4000000037	LABEL-SIDE-ATV	1
127	P40TA00081328A	9JR4000000004	FAMILY SHEET- SERVICE	1
519	P40TD000813 9A	9JR4000000005	family sheet	1
520	P40TD00081311A	9JR4000000036	FAMILY SHEET	1
131	P40TN00084357A	9JR4000000022	ITALIAN CAUTION LABEL	1
451	P44G9020101	9JR4400000026	CUSHION_T	1
452	P44G9020201	9JR4400000027	CUSHION_B	1
521	P44G9020843 1A	9JR4400000028	CARTON	1
453	P45G 46026	9JR4500000010	PE BAG(560X450-0.72mm)	1
515	P45T 77001	9JR4500000004	LLDPE WRAP	2
300	P45T 77512001	9JR4500000005	INK CARTRIDGE-EP-T	1
103	P50T 53002	9JR5000000002	cable tie	1
102	P52T 58013	9JR5200000007	ACETATE TAPE	1
	P85T0113101	9JR8500000004	SHIELDING_ATV	1
1054	PWTV9942LPR1	9JR9900000026	POWER PCB ASSY	1
<b>1053</b>	<b>CBPF93KBP5</b>	<b>9JR9900000023</b>	<b>MAIN PCB ASSY</b>	
C1109	065T040247312K 3	9JR6500000125	CHIP CAP 47N 16V X7R 10%	1
C1111	065T040222031J Y	9JR6500000019	CAP CHIP 0402 22P 50V NPO +/-5%	1
C1112	065T040210412K Y	9JR6500000014	CAP CHIP 0402 100N 16V X7R +/-10%	1
C1113	065T040210412K Y	9JR6500000014	CAP CHIP 0402 100N 16V X7R +/-10%	1
C1114	065T040247312K 3	9JR6500000125	CHIP CAP 47N 16V X7R 10%	1
C1116	065T0805106A5K 3	9JR6500000148	CHIP 10uF 10V X5R 10%	1
C1121	065T0805106A5K 3	9JR6500000148	CHIP 10uF 10V X5R 10%	1
C1122	065T040210312K Y	9JR6500000011	CAP CHIP 0402 10N 16V X7R +/-10%	1
C1123	065T0805106A5K 3	9JR6500000148	CHIP 10uF 10V X5R 10%	1



C1124	065T040210312K	Y	9JR6500000011	CAP CHIP 0402 10N 16V X7R +/-10%	1
C1127	065G040247031J	Y	9JR6500000203	CAP CHIP 0402 47pF 50V NPO +/-5%	1
C1128	065G040247031J	Y	9JR6500000203	CAP CHIP 0402 47pF 50V NPO +/-5%	1
C1204	065T040247312K	3	9JR6500000125	CHIP CAP 47N 16V X7R 10%	1
C1205	065T040247312K	3	9JR6500000125	CHIP CAP 47N 16V X7R 10%	1
C1206	065T040247312K	3	9JR6500000125	CHIP CAP 47N 16V X7R 10%	1
C1207	065T040210232K	Y	9JR6500000009	CAP CHIP 0402 1N 50V X7R +/-10%	1
C1211	065T040247312K	3	9JR6500000125	CHIP CAP 47N 16V X7R 10%	1
C1212	065T040247312K	3	9JR6500000125	CHIP CAP 47N 16V X7R 10%	1
C1213	065T040247312K	3	9JR6500000125	CHIP CAP 47N 16V X7R 10%	1
C1214	065T040210232K	Y	9JR6500000009	CAP CHIP 0402 1N 50V X7R +/-10%	1
C1218	065T040210412K	Y	9JR6500000014	CAP CHIP 0402 100N 16V X7R +/-10%	1
C1219	065T040210412K	Y	9JR6500000014	CAP CHIP 0402 100N 16V X7R +/-10%	1
C1220	065T040210412K	Y	9JR6500000014	CAP CHIP 0402 100N 16V X7R +/-10%	1
C1221	065G040247031J	Y	9JR6500000203	CAP CHIP 0402 47pF 50V NPO +/-5%	1
C1223	065T040247312K	3	9JR6500000125	CHIP CAP 47N 16V X7R 10%	1
C1224	065T040210131J	Y	9JR6500000208	CAP CHIP 0402 100P 50V NPO +/-5%	1
C1225	065T060368232K	Y	9JR6500000142	CAP CHIP 0603 6800PF K 50V X7R	1
C1226	065T060368232K	Y	9JR6500000142	CAP CHIP 0603 6800PF K 50V X7R	1
C1227	065T040210412K	Y	9JR6500000014	CAP CHIP 0402 100N 16V X7R +/-10%	1
C1228	065T0805106A5K	3	9JR6500000148	CHIP 10uF 10V X5R 10%	1
C1229	067G215D4713KT		9JR6700000109	105°C EC 470UF M 16V KINGNICH	1
C1230	065G040247031J	Y	9JR6500000203	CAP CHIP 0402 47pF 50V NPO +/-5%	1
C1231	065G040222232K	Y	9JR6500000201	CAP CHIP 0402 2N2 50V X7R +/-10%	1
C1232	065G040222232K	Y	9JR6500000201	CAP CHIP 0402 2N2 50V X7R +/-10%	1
C1233	065T0603105A7Z	Y	9JR6500000046	CAP CHIP 0603 1U 10V Y5V -20%+80%	1
C1234	065T0603105A7Z	Y	9JR6500000046	CAP CHIP 0603 1U 10V Y5V -20%+80%	1
C1235	065T040233132K	Y	9JR6500000122	CAP CHIP 0402 330P 50V X7R +/-10%	1
C1236	065T040233132K	Y	9JR6500000122	CAP CHIP 0402 330P 50V X7R +/-10%	1
C1237	065T080510522K	Y	9JR6500000215	CAP CHIP 0805 1UF K 25V X7R	1
C1238	065T080510522K	Y	9JR6500000215	CAP CHIP 0805 1UF K 25V X7R	1
C1239	065T040210412K	Y	9JR6500000014	CAP CHIP 0402 100N 16V X7R +/-10%	1
C1240	065T040210412K	Y	9JR6500000014	CAP CHIP 0402 100N 16V X7R +/-10%	1
C1241	067T215Y2212CT		9JR6700000113	EC 220uF 10V GL 6.3x11mm	1
C1242	065T040233031J	Y	9JR6500000021	CAP CHIP 0402 33P 50V NPO +/-5%	1
C1243	065T040233031J	Y	9JR6500000021	CAP CHIP 0402 33P 50V NPO +/-5%	1
C1244	065T060322517Z	3	9JR6500000212	CAP CHIP 0603 2U2 16V Y5V -20%+80%	1
C1245	065T060322517Z	3	9JR6500000212	CAP CHIP 0603 2U2 16V Y5V -20%+80%	1
C1246	065T040210312K	Y	9JR6500000011	CAP CHIP 0402 10N 16V X7R +/-10%	1
C1247	065T040210312K	Y	9JR6500000011	CAP CHIP 0402 10N 16V X7R +/-10%	1
C1254	065T040247312K	3	9JR6500000125	CHIP CAP 47N 16V X7R 10%	1
C1255	065G040247031J	Y	9JR6500000203	CAP CHIP 0402 47pF 50V NPO +/-5%	1
C1256	065G040247031J	Y	9JR6500000203	CAP CHIP 0402 47pF 50V NPO +/-5%	1
C1257	065T0805106A5K	3	9JR6500000148	CHIP 10uF 10V X5R 10%	1
C1259	065T040210412K	Y	9JR6500000014	CAP CHIP 0402 100N 16V X7R +/-10%	1
C1260	065T040210412K	Y	9JR6500000014	CAP CHIP 0402 100N 16V X7R +/-10%	1
C1261	065T040210412K	Y	9JR6500000014	CAP CHIP 0402 100N 16V X7R +/-10%	1
C1262	065T040210412K	Y	9JR6500000014	CAP CHIP 0402 100N 16V X7R +/-10%	1
C1266	065T040210412K	Y	9JR6500000014	CAP CHIP 0402 100N 16V X7R +/-10%	1
C1401	065T040210412K	Y	9JR6500000014	CAP CHIP 0402 100N 16V X7R +/-10%	1
C1405	065T040210412K	Y	9JR6500000014	CAP CHIP 0402 100N 16V X7R +/-10%	1
C1406	065T040247312K	3	9JR6500000125	CHIP CAP 47N 16V X7R 10%	1
C1407	065T040247312K	3	9JR6500000125	CHIP CAP 47N 16V X7R 10%	1
C1408	065T040247312K	3	9JR6500000125	CHIP CAP 47N 16V X7R 10%	1
C1409	065T040210232K	Y	9JR6500000009	CAP CHIP 0402 1N 50V X7R +/-10%	1
C1410	065T040210412K	Y	9JR6500000014	CAP CHIP 0402 100N 16V X7R +/-10%	1
C1411	065T040210412K	Y	9JR6500000014	CAP CHIP 0402 100N 16V X7R +/-10%	1
C1412	065T040210412K	Y	9JR6500000014	CAP CHIP 0402 100N 16V X7R +/-10%	1
C1509	065T0805106A5K	3	9JR6500000148	CHIP 10uF 10V X5R 10%	1
C1510	065T040210412K	Y	9JR6500000014	CAP CHIP 0402 100N 16V X7R +/-10%	1
C1511	065T040210412K	Y	9JR6500000014	CAP CHIP 0402 100N 16V X7R +/-10%	1
C1512	065T040210412K	Y	9JR6500000014	CAP CHIP 0402 100N 16V X7R +/-10%	1
C1513	065T040210412K	Y	9JR6500000014	CAP CHIP 0402 100N 16V X7R +/-10%	1

C1514	065T040210412K	Y	9JR6500000014	CAP CHIP 0402 100N 16V X7R +/-10%	1
C1515	065T040210412K	Y	9JR6500000014	CAP CHIP 0402 100N 16V X7R +/-10%	1
C1516	065T040210412K	Y	9JR6500000014	CAP CHIP 0402 100N 16V X7R +/-10%	1
C1517	065T040210412K	Y	9JR6500000014	CAP CHIP 0402 100N 16V X7R +/-10%	1
C1519	065T040210412K	Y	9JR6500000014	CAP CHIP 0402 100N 16V X7R +/-10%	1
C1520	065T040210412K	Y	9JR6500000014	CAP CHIP 0402 100N 16V X7R +/-10%	1
C1521	065T040210412K	Y	9JR6500000014	CAP CHIP 0402 100N 16V X7R +/-10%	1
C1522	065T040210412K	Y	9JR6500000014	CAP CHIP 0402 100N 16V X7R +/-10%	1
C1524	065T040210412K	Y	9JR6500000014	CAP CHIP 0402 100N 16V X7R +/-10%	1
C1526	065T040210131J	Y	9JR6500000208	CAP CHIP 0402 100P 50V NPO +/-5%	1
C1527	065T040210131J	Y	9JR6500000208	CAP CHIP 0402 100P 50V NPO +/-5%	1
C1701	065T040222031J	Y	9JR6500000019	CAP CHIP 0402 22P 50V NPO +/-5%	1
C1702	065T080556131J	Y	9JR6500000218	CAP CHIP 0805 560PF J 50V NPO	1
C1703	065T0603105A7Z	Y	9JR6500000046	CAP CHIP 0603 1U 10V Y5V -20%+80%	1
C1704	065T040222031J	Y	9JR6500000019	CAP CHIP 0402 22P 50V NPO +/-5%	1
C1705	065T080556131J	Y	9JR6500000218	CAP CHIP 0805 560PF J 50V NPO	1
C1706	065T0603105A7Z	Y	9JR6500000046	CAP CHIP 0603 1U 10V Y5V -20%+80%	1
C1707	065T0603105A7Z	Y	9JR6500000046	CAP CHIP 0603 1U 10V Y5V -20%+80%	1
C1708	065T0603105A7Z	Y	9JR6500000046	CAP CHIP 0603 1U 10V Y5V -20%+80%	1
C1709	065T080556131J	Y	9JR6500000218	CAP CHIP 0805 560PF J 50V NPO	1
C1710	065T060322517Z	3	9JR6500000212	CAP CHIP 0603 2U2 16V Y5V -20%+80%	1
C1711	065T080556131J	Y	9JR6500000218	CAP CHIP 0805 560PF J 50V NPO	1
C1712	065T060322517Z	3	9JR6500000212	CAP CHIP 0603 2U2 16V Y5V -20%+80%	1
C1713	065T040222031J	Y	9JR6500000019	CAP CHIP 0402 22P 50V NPO +/-5%	1
C1714	065T080556131J	Y	9JR6500000218	CAP CHIP 0805 560PF J 50V NPO	1
C1715	065T0603105A7Z	Y	9JR6500000046	CAP CHIP 0603 1U 10V Y5V -20%+80%	1
C1716	065T040222031J	Y	9JR6500000019	CAP CHIP 0402 22P 50V NPO +/-5%	1
C1717	065T080556131J	Y	9JR6500000218	CAP CHIP 0805 560PF J 50V NPO	1
C1718	065T0603105A7Z	Y	9JR6500000046	CAP CHIP 0603 1U 10V Y5V -20%+80%	1
C1719	065T040222031J	Y	9JR6500000019	CAP CHIP 0402 22P 50V NPO +/-5%	1
C1720	065T080556131J	Y	9JR6500000218	CAP CHIP 0805 560PF J 50V NPO	1
C1722	065T040222031J	Y	9JR6500000019	CAP CHIP 0402 22P 50V NPO +/-5%	1
C1723	065T080556131J	Y	9JR6500000218	CAP CHIP 0805 560PF J 50V NPO	1
C1733	065T040222031J	Y	9JR6500000019	CAP CHIP 0402 22P 50V NPO +/-5%	1
C1736	065T040222031J	Y	9JR6500000019	CAP CHIP 0402 22P 50V NPO +/-5%	1
C1801	065T040210412K	Y	9JR6500000014	CAP CHIP 0402 100N 16V X7R +/-10%	1
C1802	065T040210412K	Y	9JR6500000014	CAP CHIP 0402 100N 16V X7R +/-10%	1
C1803	067T 3051012ET		9JR6700000097	EC 100uF 10V RGA 5x11mm	1
C1805	065T0805106A5K	3	9JR6500000148	CHIP 10uF 10V X5R 10%	1
C1806	065T040210412K	Y	9JR6500000014	CAP CHIP 0402 100N 16V X7R +/-10%	1
C1807	065T040210412K	Y	9JR6500000014	CAP CHIP 0402 100N 16V X7R +/-10%	1
C1808	065T060347931C	Y	9JR6500000214	CAP CHIP 0603 4P7 50V NPO +/-0.25p	1
C1809	065T060347931C	Y	9JR6500000214	CAP CHIP 0603 4P7 50V NPO +/-0.25p	1
C1811	067T 3051012ET		9JR6700000097	EC 100uF 10V RGA 5x11mm	1
C1901	065G040247031J	Y	9JR6500000203	CAP CHIP 0402 47pF 50V NPO +/-5%	1
C1908	065T040247312K	3	9JR6500000125	CHIP CAP 47N 16V X7R 10%	1
C1912	065T040210412K	Y	9JR6500000014	CAP CHIP 0402 100N 16V X7R +/-10%	1
C1913	065G040247031J	Y	9JR6500000203	CAP CHIP 0402 47pF 50V NPO +/-5%	1
C1915	067T 3051007ET		9JR6700000006	EC 10uF 50V RGA 5x11 mm	1
C1916	065T040210412K	Y	9JR6500000014	CAP CHIP 0402 100N 16V X7R +/-10%	1
C1918	065T060322517Z	3	9JR6500000212	CAP CHIP 0603 2U2 16V Y5V -20%+80%	1
C1919	065T040210312K	Y	9JR6500000011	CAP CHIP 0402 10N 16V X7R +/-10%	1
C1920	065T040210312K	Y	9JR6500000011	CAP CHIP 0402 10N 16V X7R +/-10%	1
C1921	065T040210412K	Y	9JR6500000014	CAP CHIP 0402 100N 16V X7R +/-10%	1
C1922	065T040210412K	Y	9JR6500000014	CAP CHIP 0402 100N 16V X7R +/-10%	1
C1923	065T040233031J	Y	9JR6500000021	CAP CHIP 0402 33P 50V NPO +/-5%	1
C1924	065T040233031J	Y	9JR6500000021	CAP CHIP 0402 33P 50V NPO +/-5%	1
C1925	065T060322517Z	3	9JR6500000212	CAP CHIP 0603 2U2 16V Y5V -20%+80%	1
C1926	065T080510522K	Y	9JR6500000215	CAP CHIP 0805 1UF K 25V X7R	1
C1927	065T040233132K	Y	9JR6500000122	CAP CHIP 0402 330P 50V X7R +/-10%	1
C1928	065T040233132K	Y	9JR6500000122	CAP CHIP 0402 330P 50V X7R +/-10%	1
C1929	065T0603105A7Z	Y	9JR6500000046	CAP CHIP 0603 1U 10V Y5V -20%+80%	1

C1930	065T0603105A7Z Y	9JR6500000046	CAP CHIP 0603 1U 10V Y5V -20%+80%	1
C1931	065T080510522K Y	9JR6500000215	CAP CHIP 0805 1UF K 25V X7R	1
C1932	067T215Y2212CT	9JR6700000113	EC 220uF 10V GL 6.3x11mm	1
C1933	065G040222232K Y	9JR6500000201	CAP CHIP 0402 2N2 50V X7R +/-10%	1
C1935	065T0805106A5K 3	9JR6500000148	CHIP 10uF 10V X5R 10%	1
C1937	065G040222232K Y	9JR6500000201	CAP CHIP 0402 2N2 50V X7R +/-10%	1
C1943	065G040247031J Y	9JR6500000203	CAP CHIP 0402 47pF 50V NPO +/-5%	1
C1944	065G040247031J Y	9JR6500000203	CAP CHIP 0402 47pF 50V NPO +/-5%	1
C1951	065T040210412K Y	9JR6500000014	CAP CHIP 0402 100N 16V X7R +/-10%	1
C1952	065T040210412K Y	9JR6500000014	CAP CHIP 0402 100N 16V X7R +/-10%	1
C4101	065T0805106A5K 3	9JR6500000148	CHIP 10uF 10V X5R 10%	1
C4102	065T040210412K Y	9JR6500000014	CAP CHIP 0402 100N 16V X7R +/-10%	1
C4103	065T040222031J Y	9JR6500000019	CAP CHIP 0402 22P 50V NPO +/-5%	1
C4104	065T040222031J Y	9JR6500000019	CAP CHIP 0402 22P 50V NPO +/-5%	1
C4105	065T040222031J Y	9JR6500000019	CAP CHIP 0402 22P 50V NPO +/-5%	1
C4106	065T040210131J Y	9JR6500000208	CAP CHIP 0402 100P 50V NPO +/-5%	1
C4108	065T040210412K Y	9JR6500000014	CAP CHIP 0402 100N 16V X7R +/-10%	1
C4201	065T120610612K 3	9JR6500000098	CHIP 10uF 16V X7R 10%	1
C4202	065T040210412K Y	9JR6500000014	CAP CHIP 0402 100N 16V X7R +/-10%	1
C4203	065T040210412K Y	9JR6500000014	CAP CHIP 0402 100N 16V X7R +/-10%	1
C4204	065T040210412K Y	9JR6500000014	CAP CHIP 0402 100N 16V X7R +/-10%	1
C4205	065T040210412K Y	9JR6500000014	CAP CHIP 0402 100N 16V X7R +/-10%	1
C4206	065T0805106A5K 3	9JR6500000148	CHIP 10uF 10V X5R 10%	1
C4207	065T040210412K Y	9JR6500000014	CAP CHIP 0402 100N 16V X7R +/-10%	1
C4208	065T120610612K 3	9JR6500000098	CHIP 10uF 16V X7R 10%	1
C4209	065T040210412K Y	9JR6500000014	CAP CHIP 0402 100N 16V X7R +/-10%	1
C4210	065T040210412K Y	9JR6500000014	CAP CHIP 0402 100N 16V X7R +/-10%	1
C4211	065T040210412K Y	9JR6500000014	CAP CHIP 0402 100N 16V X7R +/-10%	1
C4212	065T040210412K Y	9JR6500000014	CAP CHIP 0402 100N 16V X7R +/-10%	1
C4213	065T040210412K Y	9JR6500000014	CAP CHIP 0402 100N 16V X7R +/-10%	1
C4214	065T040210412K Y	9JR6500000014	CAP CHIP 0402 100N 16V X7R +/-10%	1
C4215	065T040210412K Y	9JR6500000014	CAP CHIP 0402 100N 16V X7R +/-10%	1
C4216	065T0805106A5K 3	9JR6500000148	CHIP 10uF 10V X5R 10%	1
C4217	065T040210412K Y	9JR6500000014	CAP CHIP 0402 100N 16V X7R +/-10%	1
C4218	065T040210412K Y	9JR6500000014	CAP CHIP 0402 100N 16V X7R +/-10%	1
C4219	065T040210412K Y	9JR6500000014	CAP CHIP 0402 100N 16V X7R +/-10%	1
C4220	065T040210412K Y	9JR6500000014	CAP CHIP 0402 100N 16V X7R +/-10%	1
C4221	065T040210412K Y	9JR6500000014	CAP CHIP 0402 100N 16V X7R +/-10%	1
C4222	065T120610612K 3	9JR6500000098	CHIP 10uF 16V X7R 10%	1
C4223	065T040210412K Y	9JR6500000014	CAP CHIP 0402 100N 16V X7R +/-10%	1
C4224	065T0805106A5K 3	9JR6500000148	CHIP 10uF 10V X5R 10%	1
C4225	065T040210412K Y	9JR6500000014	CAP CHIP 0402 100N 16V X7R +/-10%	1
C4226	065T0805106A5K 3	9JR6500000148	CHIP 10uF 10V X5R 10%	1
C4227	065T040210412K Y	9JR6500000014	CAP CHIP 0402 100N 16V X7R +/-10%	1
C4228	065T0805106A5K 3	9JR6500000148	CHIP 10uF 10V X5R 10%	1
C4229	065T040210412K Y	9JR6500000014	CAP CHIP 0402 100N 16V X7R +/-10%	1
C4230	065T040210131J Y	9JR6500000208	CAP CHIP 0402 100P 50V NPO +/-5%	1
C4231	065T0805106A5K 3	9JR6500000148	CHIP 10uF 10V X5R 10%	1
C4232	065T040210412K Y	9JR6500000014	CAP CHIP 0402 100N 16V X7R +/-10%	1
C4233	065T040210131J Y	9JR6500000208	CAP CHIP 0402 100P 50V NPO +/-5%	1
C4234	065T0805106A5K 3	9JR6500000148	CHIP 10uF 10V X5R 10%	1
C4235	065T040210412K Y	9JR6500000014	CAP CHIP 0402 100N 16V X7R +/-10%	1
C4236	065T040210131J Y	9JR6500000208	CAP CHIP 0402 100P 50V NPO +/-5%	1
C4237	065T0805106A5K 3	9JR6500000148	CHIP 10uF 10V X5R 10%	1
C4238	065T040210412K Y	9JR6500000014	CAP CHIP 0402 100N 16V X7R +/-10%	1
C4239	065T040210412K Y	9JR6500000014	CAP CHIP 0402 100N 16V X7R +/-10%	1
C4240	065T040210412K Y	9JR6500000014	CAP CHIP 0402 100N 16V X7R +/-10%	1
C4241	065T040210412K Y	9JR6500000014	CAP CHIP 0402 100N 16V X7R +/-10%	1
C4242	065T040210412K Y	9JR6500000014	CAP CHIP 0402 100N 16V X7R +/-10%	1
C4243	065T040210412K Y	9JR6500000014	CAP CHIP 0402 100N 16V X7R +/-10%	1
C4244	065T040210412K Y	9JR6500000014	CAP CHIP 0402 100N 16V X7R +/-10%	1
C4245	065T040210232K Y	9JR6500000009	CAP CHIP 0402 1N 50V X7R +/-10%	1
C4246	065T040210412K Y	9JR6500000014	CAP CHIP 0402 100N 16V X7R +/-10%	1

C4248	065T060327031J Y	9JR6500000213	CAP CHIP 0603 27PF J 50V NPO	1
C4249	065T060327031J Y	9JR6500000213	CAP CHIP 0603 27PF J 50V NPO	1
C4250	065T040210412K Y	9JR6500000014	CAP CHIP 0402 100N 16V X7R +/-10%	1
C4251	065T040210412K Y	9JR6500000014	CAP CHIP 0402 100N 16V X7R +/-10%	1
C4252	065T040210412K Y	9JR6500000014	CAP CHIP 0402 100N 16V X7R +/-10%	1
C4254	065T040210412K Y	9JR6500000014	CAP CHIP 0402 100N 16V X7R +/-10%	1
C4255	065T040210412K Y	9JR6500000014	CAP CHIP 0402 100N 16V X7R +/-10%	1
C4256	065T040210412K Y	9JR6500000014	CAP CHIP 0402 100N 16V X7R +/-10%	1
C4258	065T040210412K Y	9JR6500000014	CAP CHIP 0402 100N 16V X7R +/-10%	1
C4259	065T040210412K Y	9JR6500000014	CAP CHIP 0402 100N 16V X7R +/-10%	1
C4260	065T040210412K Y	9JR6500000014	CAP CHIP 0402 100N 16V X7R +/-10%	1
C4261	065T0805106A5K 3	9JR6500000148	CHIP 10uF 10V X5R 10%	1
C4262	065T0603105A7Z Y	9JR6500000046	CAP CHIP 0603 1U 10V Y5V -20%+80%	1
C4263	065G0805475A2K 3	9JR6500000207	CAP CHIP 4.7UF 10V X7R +/- 10%	1
C4271	065T040210412K Y	9JR6500000014	CAP CHIP 0402 100N 16V X7R +/-10%	1
C4401	065T0805106A5K 3	9JR6500000148	CHIP 10uF 10V X5R 10%	1
C4402	065T040210412K Y	9JR6500000014	CAP CHIP 0402 100N 16V X7R +/-10%	1
C4403	065T040210412K Y	9JR6500000014	CAP CHIP 0402 100N 16V X7R +/-10%	1
C4404	065T040210412K Y	9JR6500000014	CAP CHIP 0402 100N 16V X7R +/-10%	1
C4405	065T040210412K Y	9JR6500000014	CAP CHIP 0402 100N 16V X7R +/-10%	1
C4406	065T040210412K Y	9JR6500000014	CAP CHIP 0402 100N 16V X7R +/-10%	1
C4407	065T040210412K Y	9JR6500000014	CAP CHIP 0402 100N 16V X7R +/-10%	1
C4408	065T040210412K Y	9JR6500000014	CAP CHIP 0402 100N 16V X7R +/-10%	1
C4409	065T040210412K Y	9JR6500000014	CAP CHIP 0402 100N 16V X7R +/-10%	1
C4410	065T040210412K Y	9JR6500000014	CAP CHIP 0402 100N 16V X7R +/-10%	1
C4411	065T040210232K Y	9JR6500000009	CAP CHIP 0402 1N 50V X7R +/-10%	1
C4412	065T040210412K Y	9JR6500000014	CAP CHIP 0402 100N 16V X7R +/-10%	1
C4413	065T040210412K Y	9JR6500000014	CAP CHIP 0402 100N 16V X7R +/-10%	1
C4414	065T040210412K Y	9JR6500000014	CAP CHIP 0402 100N 16V X7R +/-10%	1
C4415	065G0805475A2K 3	9JR6500000207	CAP CHIP 4.7UF 10V X7R +/- 10%	1
C4416	065T040210312K Y	9JR6500000011	CAP CHIP 0402 10N 16V X7R +/-10%	1
C4417	065T040210312K Y	9JR6500000011	CAP CHIP 0402 10N 16V X7R +/-10%	1
C4418	065G0805475A2K 3	9JR6500000207	CAP CHIP 4.7UF 10V X7R +/- 10%	1
C4419	065G0805475A2K 3	9JR6500000207	CAP CHIP 4.7UF 10V X7R +/- 10%	1
C4420	065T040210312K Y	9JR6500000011	CAP CHIP 0402 10N 16V X7R +/-10%	1
C4421	065G0805475A2K 3	9JR6500000207	CAP CHIP 4.7UF 10V X7R +/- 10%	1
C4422	065T040210312K Y	9JR6500000011	CAP CHIP 0402 10N 16V X7R +/-10%	1
C4423	065T040210412K Y	9JR6500000014	CAP CHIP 0402 100N 16V X7R +/-10%	1
C4424	065T040210412K Y	9JR6500000014	CAP CHIP 0402 100N 16V X7R +/-10%	1
C4425	065T040210412K Y	9JR6500000014	CAP CHIP 0402 100N 16V X7R +/-10%	1
C4426	065T040210412K Y	9JR6500000014	CAP CHIP 0402 100N 16V X7R +/-10%	1
C6101	065T080533437Z Y	9JR6500000217	CAP CHIP 0805 330N 50V Y5V -20%+80%	1
C6102	065T060310437Z Y	9JR6500000038	CAP CHIP 0603 0.1UF Z 50V Y5V	1
C6103	067T 3051007ET	9JR6700000006	EC 10uF 50V RGA 5x11 mm	1
C6104	065T040210312K Y	9JR6500000011	CAP CHIP 0402 10N 16V X7R +/-10%	1
C6105	065T040210312K Y	9JR6500000011	CAP CHIP 0402 10N 16V X7R +/-10%	1
C6106	065T080522512K 3	9JR6500000216	CAP CHIP 0805 2U2 16V X7R +/-10%	1
C6107	065T080522512K 3	9JR6500000216	CAP CHIP 0805 2U2 16V X7R +/-10%	1
C6108	065T040233132K Y	9JR6500000122	CAP CHIP 0402 330P 50V X7R +/-10%	1
C6109	065T040233132K Y	9JR6500000122	CAP CHIP 0402 330P 50V X7R +/-10%	1
C6110	065T080510522K Y	9JR6500000215	CAP CHIP 0805 1UF K 25V X7R	1
C6111	065T080510522K Y	9JR6500000215	CAP CHIP 0805 1UF K 25V X7R	1
C6112	065T040233031J Y	9JR6500000021	CAP CHIP 0402 33P 50V NPO +/-5%	1
C6113	065T040233031J Y	9JR6500000021	CAP CHIP 0402 33P 50V NPO +/-5%	1
C6114	065T040210412K Y	9JR6500000014	CAP CHIP 0402 100N 16V X7R +/-10%	1
C6115	065T040210412K Y	9JR6500000014	CAP CHIP 0402 100N 16V X7R +/-10%	1
C6116	067T215Y2212CT	9JR6700000113	EC 220uF 10V GL 6.3x11mm	1
C6117	065G060310512K 3	9JR6500000204	MLCC 0603 CAP 1uF K 16V X7R	1
C6118	065G060310512K 3	9JR6500000204	MLCC 0603 CAP 1uF K 16V X7R	1
C6119	065T080510522K Y	9JR6500000215	CAP CHIP 0805 1UF K 25V X7R	1
C6120	065T080510522K Y	9JR6500000215	CAP CHIP 0805 1UF K 25V X7R	1
C6121	067T 3054716ET	9JR6700000111	EC 470uF 35V RGA 10x16mm	1

C6122	067T 3054716ET	9JR6700000111	EC 470uF 35V RGA 10x16mm	1
C6123	065T080510432K Y	9JR6500000071	CAP CHIP 0805 0.1UF K 50V X7R	1
C6124	065T080510432K Y	9JR6500000071	CAP CHIP 0805 0.1UF K 50V X7R	1
C6125	065T060322422K 3	9JR6500000211	CAP CHIP 0603 220N 25V X7R +/-10%	1
C6126	065T060322422K 3	9JR6500000211	CAP CHIP 0603 220N 25V X7R +/-10%	1
C6127	067T 2154714CT	9JR6700000110	EC 470uF 25V GF 10x12mm	1
C6128	065T080510432K Y	9JR6500000071	CAP CHIP 0805 0.1UF K 50V X7R	1
C6129	065G040222132K Y	9JR6500000200	CAP CHIP 0402 220pF 50V X7R +/-10%	1
C6130	067T 2154714CT	9JR6700000110	EC 470uF 25V GF 10x12mm	1
C6132	065T040210312K Y	9JR6500000011	CAP CHIP 0402 10N 16V X7R +/-10%	1
C6133	065T040210312K Y	9JR6500000011	CAP CHIP 0402 10N 16V X7R +/-10%	1
C6134	065T080510522K Y	9JR6500000215	CAP CHIP 0805 1UF K 25V X7R	1
C6135	065T080510522K Y	9JR6500000215	CAP CHIP 0805 1UF K 25V X7R	1
C6137	065T040233132K Y	9JR6500000122	CAP CHIP 0402 330P 50V X7R +/-10%	1
C6138	065T040233132K Y	9JR6500000122	CAP CHIP 0402 330P 50V X7R +/-10%	1
C6139	065T080510522K Y	9JR6500000215	CAP CHIP 0805 1UF K 25V X7R	1
C6140	065T080510522K Y	9JR6500000215	CAP CHIP 0805 1UF K 25V X7R	1
C6141	065T040210412K Y	9JR6500000014	CAP CHIP 0402 100N 16V X7R +/-10%	1
C6142	065T040210412K Y	9JR6500000014	CAP CHIP 0402 100N 16V X7R +/-10%	1
C6143	067T215Y2212CT	9JR6700000113	EC 220uF 10V GL 6.3x11mm	1
C6144	065T040233031J Y	9JR6500000021	CAP CHIP 0402 33P 50V NPO +/-5%	1
C6145	065T040233031J Y	9JR6500000021	CAP CHIP 0402 33P 50V NPO +/-5%	1
C6146	067T 5154707CT	9JR6700000112	EC 47UF 50V GF 6.3*11mm	1
C6147	065G040222312K Y	9JR6500000202	CAP CHIP 0402 22N 16V X7R +/-10%	1
C6148	065T060310437Z Y	9JR6500000038	CAP CHIP 0603 0.1UF Z 50V Y5V	1
C6149	065T120647437M Y	9JR6500000104	CER 1206 470N 50V Y5V +/-20%	1
C6150	065T120647437M Y	9JR6500000104	CER 1206 470N 50V Y5V +/-20%	1
C6151	065G040222312K Y	9JR6500000202	CAP CHIP 0402 22N 16V X7R +/-10%	1
C7101	067T 3054704CT	9JR6700000027	EC 47uF 25V KM 5x11mm	1
C7102	067T 3054704CT	9JR6700000027	EC 47uF 25V KM 5x11mm	1
C7103	065T040210412K Y	9JR6500000014	CAP CHIP 0402 100N 16V X7R +/-10%	1
C7104	065G0805475A2K 3	9JR6500000207	CAP CHIP 4.7UF 10V X7R +/- 10%	1
C7105	065T0805106A5K 3	9JR6500000148	CHIP 10uF 10V X5R 10%	1
C7106	065T040210412K Y	9JR6500000014	CAP CHIP 0402 100N 16V X7R +/-10%	1
C7107	067T215L1014CT	9JR6700000087	EC 100UF 25V KH 6.3*11mm	1
C7111	065T060310432K Y	9JR6500000209	CAP CHIP 0603 0.1UF K 50V X7R	1
C7113	065T040210412K Y	9JR6500000014	CAP CHIP 0402 100N 16V X7R +/-10%	1
C7117	065T0805106A5K 3	9JR6500000148	CHIP 10uF 10V X5R 10%	1
C7118	065T040210412K Y	9JR6500000014	CAP CHIP 0402 100N 16V X7R +/-10%	1
C7120	065T060333312K Y	9JR6500000053	CAP CHIP 0603 33N 16V X7R +/-10%	1
C7121	065T060322412K Y	9JR6500000137	CAP CHIP 0603 0.22UF K 16V X7R	1
C7122	065T060322131J Y	9JR6500000210	CAP CHIP 0603 220PF J 50V NPO	1
C7123	065T060322232K Y	9JR6500000136	CAP CHIP 0603 2200PF K 50V X7R	1
C7124	065G080533132K Y	9JR6500000206	CAP CHIP 0805 330PF K 50V X7R	1
C7125	065T0805106A5K 3	9JR6500000148	CHIP 10uF 10V X5R 10%	1
C7126	067T215Y2212CT	9JR6700000113	EC 220uF 10V GL 6.3x11mm	1
C7127	067T215Y2212CT	9JR6700000113	EC 220uF 10V GL 6.3x11mm	1
C7128	065G080522422K Y	9JR6500000205	CAP CHIP 0805 220N 25V X7R -/+ 10%	1
C7129	067T 3152214KT	9JR6700000100	EC 220UF 25V ED 8*12mm	1
C7131	065T040210412K Y	9JR6500000014	CAP CHIP 0402 100N 16V X7R +/-10%	1
C7132	067T 3051007ET	9JR6700000006	EC 10uF 50V RGA 5x11 mm	1
C7133	065T040210412K Y	9JR6500000014	CAP CHIP 0402 100N 16V X7R +/-10%	1
C7134	067T 3051012ET	9JR6700000097	EC 100uF 10V RGA 5x11mm	1
C7156	067T 3051007ET	9JR6700000006	EC 10uF 50V RGA 5x11 mm	1
C7158	065T120610612K 3	9JR6500000098	CHIP 10uF 16V X7R 10%	1
C7159	065T040210412K Y	9JR6500000014	CAP CHIP 0402 100N 16V X7R +/-10%	1
C7160	065T040210412K Y	9JR6500000014	CAP CHIP 0402 100N 16V X7R +/-10%	1
C7161	067T 3051007ET	9JR6700000006	EC 10uF 50V RGA 5x11 mm	1
C7162	067T 3051012ET	9JR6700000097	EC 100uF 10V RGA 5x11mm	1
C7163	065T040210412K Y	9JR6500000014	CAP CHIP 0402 100N 16V X7R +/-10%	1
C7164	065T040210412K Y	9JR6500000014	CAP CHIP 0402 100N 16V X7R +/-10%	1
C7204	065T060310437Z Y	9JR6500000038	CAP CHIP 0603 0.1UF Z 50V Y5V	1
C7206	065T060310437Z Y	9JR6500000038	CAP CHIP 0603 0.1UF Z 50V Y5V	1

C7207	067T 2154714CT	9JR6700000110	EC 470uF 25V GF 10x12mm	1
C7212	065T060310437Z Y	9JR6500000038	CAP CHIP 0603 0.1UF Z 50V Y5V	1
C7213	067T 3052214CT	9JR6700000061	EC 220UF/25V KM 8*11mm	1
C7301	065T040210412K Y	9JR6500000014	CAP CHIP 0402 100N 16V X7R +/-10%	1
C7302	065T040210412K Y	9JR6500000014	CAP CHIP 0402 100N 16V X7R +/-10%	1
C7304	065T040233031J Y	9JR6500000021	CAP CHIP 0402 33P 50V NPO +/-5%	1
C7306	065T040210412K Y	9JR6500000014	CAP CHIP 0402 100N 16V X7R +/-10%	1
CN1201	088G 78 13942 C	9JR8800000031	RCA JACK 1*5 G/B/R/W/R AV5-8.4-02-01	1
CN1204	088T 302A12 YG	9JR8800000036	PHONE JACK 3.5mm 7P BLACK	1
CN1205	088G 7813A38C	9JR8800000032	RCA JACK 1*3 Y/W/R V/A	1
CN1207	088G 78 13934 C	9JR8800000030	RCA JACK 1*3 Y/W/R AV3-8.4-13-1	1
CN1401	088T 35315F FX	9JR8800000025	D-SUB 15PIN FEMALE VERTICAL 附螺絲	1
CN1502	088G 340 19 VT	9JR8800000033	HDMI HEADER 19P V/T	1
CN1702	088T 30252C	9JR8800000035	PHONE JACK 3.5mm 3p V/A GREEN	1
CN1801	088G 352 21CL	9JR8800000034	USB CONN TYPE A	1
CN1901	088T 35521U YG	9JR8800000037	SCART CONN. 21P V/T RC-2119	1
CN6101	033T3802 4B Y	9JR3300000027	CONNECTOR	1
CN7201	033T380210B Y	9JR3300000039	CONNECTOR	1
CN7301	033T3802 4B Y	9JR3300000027	CONNECTOR	1
CN7306	033T3802 7B Y	9JR3300000040	CONNECTOR 7PIN	1
CN7502	033G801930F K JS	9JR3300000041	FFC CONN. 30P 1.0PITCH (Au plated)	1
D1201	093G 39S925 T	9JR9300000077	DIODE AOZ8212CI-05L SOT-23	1
D1202	093G 39S925 T	9JR9300000077	DIODE AOZ8212CI-05L SOT-23	1
D1203	093T 64S3PH	9JR9300000029	BAS32L SOD80C	1
D1204	093G 39S925 T	9JR9300000077	DIODE AOZ8212CI-05L SOT-23	1
D1205	093G 39S925 T	9JR9300000077	DIODE AOZ8212CI-05L SOT-23	1
D1206	093G 39S925 T	9JR9300000077	DIODE AOZ8212CI-05L SOT-23	1
D1207	093T 64S3PH	9JR9300000029	BAS32L SOD80C	1
D1208	093G 39S925 T	9JR9300000077	DIODE AOZ8212CI-05L SOT-23	1
D1210	093G 39S925 T	9JR9300000077	DIODE AOZ8212CI-05L SOT-23	1
D1211	093G 39S925 T	9JR9300000077	DIODE AOZ8212CI-05L SOT-23	1
D1401	093T 60505	9JR9300000082	BAT54C PHILIPS	1
D1402	093G 39S925 T	9JR9300000077	DIODE AOZ8212CI-05L SOT-23	1
D1403	093G 39S925 T	9JR9300000077	DIODE AOZ8212CI-05L SOT-23	1
D1404	093G 39S925 T	9JR9300000077	DIODE AOZ8212CI-05L SOT-23	1
D1501	093T 60505	9JR9300000082	BAT54C PHILIPS	1
D1503	093T 60505	9JR9300000082	BAT54C PHILIPS	1
D1504	093T 60505	9JR9300000082	BAT54C PHILIPS	1
D1505	093T 60505	9JR9300000082	BAT54C PHILIPS	1
D1506	093T 64S3PH	9JR9300000029	BAS32L SOD80C	1
D1905	093G 39S925 T	9JR9300000077	DIODE AOZ8212CI-05L SOT-23	1
D1906	093G 39S925 T	9JR9300000077	DIODE AOZ8212CI-05L SOT-23	1
D1907	093G 39S925 T	9JR9300000077	DIODE AOZ8212CI-05L SOT-23	1
D6101	093G 52S902 T	9JR9300000078	DIODE 3A/100V S3B DO-214AB	1
D7101	093G1020 PH	9JR9300000080	DIODE S1D-E3 VISHAY	1
D7102	093T 64S3PH	9JR9300000029	BAS32L SOD80C	1
FB1102	071T 56121 TA	9JR7100000024	CHIP BEAD 120R/3000mA HCB2012KF-121T30	1
FB1103	071T 56121 TA	9JR7100000024	CHIP BEAD 120R/3000mA HCB2012KF-121T30	1
FB1201	071T 59K300 TA	9JR7100000027	CHIP BEAD 0603 30R/700mA TAI-TECH	1
FB1202	071T 59K300 TA	9JR7100000027	CHIP BEAD 0603 30R/700mA TAI-TECH	1
FB1203	071T 59K300 TA	9JR7100000027	CHIP BEAD 0603 30R/700mA TAI-TECH	1
FB1204	071T 59K300 TA	9JR7100000027	CHIP BEAD 0603 30R/700mA TAI-TECH	1
FB1205	071T 59K300 TA	9JR7100000027	CHIP BEAD 0603 30R/700mA TAI-TECH	1
FB1206	071T 59K300 TA	9JR7100000027	CHIP BEAD 0603 30R/700mA TAI-TECH	1
FB1207	071T 59K300 TA	9JR7100000027	CHIP BEAD 0603 30R/700mA TAI-TECH	1
FB1208	071T 59A121 TA	9JR7100000026	CHIP BEAD 120R/3000mA HCB1608KF-121T30	1
FB1209	071T 59A121 TA	9JR7100000026	CHIP BEAD 120R/3000mA HCB1608KF-121T30	1
FB1210	071T 56121 TA	9JR7100000024	CHIP BEAD 120R/3000mA HCB2012KF-121T30	1
FB1228	071T 59K300 TA	9JR7100000027	CHIP BEAD 0603 30R/700mA TAI-TECH	1
FB1229	071T 59K300 TA	9JR7100000027	CHIP BEAD 0603 30R/700mA TAI-TECH	1
FB1401	071T 56121 TA	9JR7100000024	CHIP BEAD 120R/3000mA HCB2012KF-121T30	1
FB1402	071T 59K300 TA	9JR7100000027	CHIP BEAD 0603 30R/700mA TAI-TECH	1

FB1403	071T 59K300 TA	9JR7100000027	CHIP BEAD 0603 30R/700mA TAI-TECH	1
FB1404	071T 59K300 TA	9JR7100000027	CHIP BEAD 0603 30R/700mA TAI-TECH	1
FB1501	071T 56121 TA	9JR7100000024	CHIP BEAD 120R/3000mA HCB2012KF-121T30	1
FB1503	071T 56121 TA	9JR7100000024	CHIP BEAD 120R/3000mA HCB2012KF-121T30	1
FB1701	071T 59A121 TA	9JR7100000026	CHIP BEAD 120R/3000mA HCB1608KF-121T30	1
FB1702	071T 59A121 TA	9JR7100000026	CHIP BEAD 120R/3000mA HCB1608KF-121T30	1
FB1705	071T 59A121 TA	9JR7100000026	CHIP BEAD 120R/3000mA HCB1608KF-121T30	1
FB1706	071T 59A121 TA	9JR7100000026	CHIP BEAD 120R/3000mA HCB1608KF-121T30	1
FB1801	071T 56121 TA	9JR7100000024	CHIP BEAD 120R/3000mA HCB2012KF-121T30	1
FB1802	071T 59A121 TA	9JR7100000026	CHIP BEAD 120R/3000mA HCB1608KF-121T30	1
FB1901	071T 56121 TA	9JR7100000024	CHIP BEAD 120R/3000mA HCB2012KF-121T30	1
FB1902	071T 59K300 TA	9JR7100000027	CHIP BEAD 0603 30R/700mA TAI-TECH	1
FB1903	071T 59K300 TA	9JR7100000027	CHIP BEAD 0603 30R/700mA TAI-TECH	1
FB4101	071T 59A121 TA	9JR7100000026	CHIP BEAD 120R/3000mA HCB1608KF-121T30	1
FB4201	071T 59A121 TA	9JR7100000026	CHIP BEAD 120R/3000mA HCB1608KF-121T30	1
FB4202	071T 59A121 TA	9JR7100000026	CHIP BEAD 120R/3000mA HCB1608KF-121T30	1
FB4203	071T 59A121 TA	9JR7100000026	CHIP BEAD 120R/3000mA HCB1608KF-121T30	1
FB4204	071T 59A121 TA	9JR7100000026	CHIP BEAD 120R/3000mA HCB1608KF-121T30	1
FB4205	071T 59A121 TA	9JR7100000026	CHIP BEAD 120R/3000mA HCB1608KF-121T30	1
FB4206	071T 59A121 TA	9JR7100000026	CHIP BEAD 120R/3000mA HCB1608KF-121T30	1
FB4207	071T 59A121 TA	9JR7100000026	CHIP BEAD 120R/3000mA HCB1608KF-121T30	1
FB4208	071T 59A121 TA	9JR7100000026	CHIP BEAD 120R/3000mA HCB1608KF-121T30	1
FB4209	071T 59A121 TA	9JR7100000026	CHIP BEAD 120R/3000mA HCB1608KF-121T30	1
FB4210	071T 59A121 TA	9JR7100000026	CHIP BEAD 120R/3000mA HCB1608KF-121T30	1
FB4211	071T 59A121 TA	9JR7100000026	CHIP BEAD 120R/3000mA HCB1608KF-121T30	1
FB4401	071T 59A121 TA	9JR7100000026	CHIP BEAD 120R/3000mA HCB1608KF-121T30	1
FB4402	071T 59A121 TA	9JR7100000026	CHIP BEAD 120R/3000mA HCB1608KF-121T30	1
FB4403	071T 59A121 TA	9JR7100000026	CHIP BEAD 120R/3000mA HCB1608KF-121T30	1
FB6104	071T 56K121 TA	9JR7100000025	CHIP BEAD 0805 120R/6000mA	1
FB7107	071T 56121 TA	9JR7100000024	CHIP BEAD 120R/3000mA HCB2012KF-121T30	1
FB7108	071T 56121 TA	9JR7100000024	CHIP BEAD 120R/3000mA HCB2012KF-121T30	1
FB7114	071T 56121 TA	9JR7100000024	CHIP BEAD 120R/3000mA HCB2012KF-121T30	1
FB7116	071T 56121 TA	9JR7100000024	CHIP BEAD 120R/3000mA HCB2012KF-121T30	1
FB7117	071T 56121 TA	9JR7100000024	CHIP BEAD 120R/3000mA HCB2012KF-121T30	1
FB7201	071T 56121 TA	9JR7100000024	CHIP BEAD 120R/3000mA HCB2012KF-121T30	1
FB7202	071T 56121 TA	9JR7100000024	CHIP BEAD 120R/3000mA HCB2012KF-121T30	1
FB7203	071T 56121 TA	9JR7100000024	CHIP BEAD 120R/3000mA HCB2012KF-121T30	1
FB7205	071T 56121 TA	9JR7100000024	CHIP BEAD 120R/3000mA HCB2012KF-121T30	1
FB7207	071T 56121 TA	9JR7100000024	CHIP BEAD 120R/3000mA HCB2012KF-121T30	1
L1801	073G253S901 T	9JR7300000038	SMD CHOKE 90R/400mA ACM2012-900-2P	1
L6101	073T 253900 H	9JR7300000039	CHOKE COIL 35uH+/-10% 82mohm DR10*8	1
L6102	073T 253900 H	9JR7300000039	CHOKE COIL 35uH+/-10% 82mohm DR10*8	1
L7101	073T 253900 H	9JR7300000039	CHOKE COIL 35uH+/-10% 82mohm DR10*8	1
L7102	073G 253918 H	9JR7300000040	CHOKE COIL 15uH+/-10% 50mohm DR10*8	1
Q1201	057G 419513	9JR5700000002	BC847C	1
Q1202	057G 417 13 T	9JR5700000041	KEC 2N3906S-RTK/PS	1
Q1203	057G 419513	9JR5700000002	BC847C	1
Q1503	057G 419513	9JR5700000002	BC847C	1
Q1509	057G 419513	9JR5700000002	BC847C	1
Q1901	057G 417 13 T	9JR5700000041	KEC 2N3906S-RTK/PS	1
Q1902	057G 419513	9JR5700000002	BC847C	1
Q1903	057G 419513	9JR5700000002	BC847C	1
Q4201	057G 763904	9JR5700000038	TRA FET 2N7002 SOT-23 PHILIPS	1
Q6101	057T 7601PH	9JR5700000043	MUN2211T1G SC-59	1
Q6102	057G 419513	9JR5700000002	BC847C	1
Q6103	057G 763 3	9JR5700000042	AO4411 SO-8	1
Q6104	057G 419513	9JR5700000002	BC847C	1
Q6105	057G 419513	9JR5700000002	BC847C	1
Q6106	057G 419513	9JR5700000002	BC847C	1
Q6107	057G 419513	9JR5700000002	BC847C	1
Q7101	057G 763 3	9JR5700000042	AO4411 SO-8	1
Q7102	057T 7601PH	9JR5700000043	MUN2211T1G SC-59	1
Q7103	057G 419513	9JR5700000002	BC847C	1

Q7104	057T 7601PH	9JR5700000043	MUN2211T1G SC-59	1
Q7108	057G 419513	9JR5700000002	BC847C	1
Q7109	057G 763 3	9JR5700000042	AO4411 SO-8	1
Q7201	057G 419513	9JR5700000002	BC847C	1
Q7202	057G 419513	9JR5700000002	BC847C	1
Q7303	057G 763904	9JR5700000038	TRA FET 2N7002 SOT-23 PHILIPS	1
R1105	061G04027509FT	9JR6100000346	RST CHIP 75R 1/16W 1%	1
R1106	061T0402470 T	9JR6100000358	RST CHIP 47R 1/16W 5%	1
R1107	061T0402000 T	9JR6100000190	RST CHIP MAX 0R05 1/16W	1
R1108	061T0402000 T	9JR6100000190	RST CHIP MAX 0R05 1/16W	1
R1113	061T0402000 T	9JR6100000190	RST CHIP MAX 0R05 1/16W	1
R1114	061G0402100 T	9JR6100000327	RST CHIP 10R 1/16W 5%	1
R1115	061G0402100 T	9JR6100000327	RST CHIP 10R 1/16W 5%	1
R1116	061T0402000 T	9JR6100000190	RST CHIP MAX 0R05 1/16W	1
R1117	061T0402000 T	9JR6100000190	RST CHIP MAX 0R05 1/16W	1
R1123	061T0402000 T	9JR6100000190	RST CHIP MAX 0R05 1/16W	1
R1125	061T0402103 T	9JR6100000042	RST CHIP 10K 1/16W 5%	1
R1126	061G04022102FT	9JR6100000333	RST CHIP 21K 1% 1/16W	1
R1127	061G04022431FT	9JR6100000334	RST CHIP 2.43K 1% 1/16W	1
R1201	061G04027509FT	9JR6100000346	RST CHIP 75R 1/16W 1%	1
R1202	061G04027509FT	9JR6100000346	RST CHIP 75R 1/16W 1%	1
R1203	061G04027509FT	9JR6100000346	RST CHIP 75R 1/16W 1%	1
R1204	061T0402470 T	9JR6100000358	RST CHIP 47R 1/16W 5%	1
R1205	061T0402470 T	9JR6100000358	RST CHIP 47R 1/16W 5%	1
R1206	061T0402470 T	9JR6100000358	RST CHIP 47R 1/16W 5%	1
R1208	061G04027509FT	9JR6100000346	RST CHIP 75R 1/16W 1%	1
R1209	061G04027509FT	9JR6100000346	RST CHIP 75R 1/16W 1%	1
R1210	061G04027509FT	9JR6100000346	RST CHIP 75R 1/16W 1%	1
R1211	061T0402470 T	9JR6100000358	RST CHIP 47R 1/16W 5%	1
R1212	061T0402470 T	9JR6100000358	RST CHIP 47R 1/16W 5%	1
R1213	061T0402470 T	9JR6100000358	RST CHIP 47R 1/16W 5%	1
R1214	061G0402471 T	9JR6100000341	RST CHIP 470R 1/16W 5%	1
R1215	061T0402470 T	9JR6100000358	RST CHIP 47R 1/16W 5%	1
R1216	061G04027509FT	9JR6100000346	RST CHIP 75R 1/16W 1%	1
R1217	061T0402101 T	9JR6100000039	RST CHIP 100R 1/16W 5%	1
R1218	061G0402471 T	9JR6100000341	RST CHIP 470R 1/16W 5%	1
R1219	061T0402000 T	9JR6100000190	RST CHIP MAX 0R05 1/16W	1
R1220	061T0402393 T	9JR6100000202	RST CHIP 39K 1/16W 5%	1
R1221	061G0402153 T	9JR6100000330	RST CHIP 15K 1/16W 5%	1
R1222	061G04027509FT	9JR6100000346	RST CHIP 75R 1/16W 1%	1
R1223	061T04021000FT	9JR6100000356	RST CHIP 100R 1/16W 1%	1
R1224	061G0402330 T	9JR6100000336	RST CHIP 33R 1/16W 5%	1
R1225	061T0402101 T	9JR6100000039	RST CHIP 100R 1/16W 5%	1
R1226	061T0402101 T	9JR6100000039	RST CHIP 100R 1/16W 5%	1
R1227	061T0603330 T	9JR6100000099	RST CHIP 33R 1/10W 5%	1
R1228	061T0402223 T	9JR6100000198	RST CHIP 22K 1/16W 5%	1
R1229	061T0402223 T	9JR6100000198	RST CHIP 22K 1/16W 5%	1
R1230	061T0402103 T	9JR6100000042	RST CHIP 10K 1/16W 5%	1
R1231	061T0402473 T	9JR6100000206	RST CHIP 47K 1/16W 5%	1
R1232	061T0402473 T	9JR6100000206	RST CHIP 47K 1/16W 5%	1
R1233	061T0603473 T	9JR6100000246	RST CHIP 47K 1/10W 5%	1
R1234	061G0402100 T	9JR6100000327	RST CHIP 10R 1/16W 5%	1
R1235	061G0402100 T	9JR6100000327	RST CHIP 10R 1/16W 5%	1
R1236	061G0402333 T	9JR6100000338	RST CHIP 33K 1/16W 5%	1
R1237	061G0402333 T	9JR6100000338	RST CHIP 33K 1/16W 5%	1
R1238	061G0402333 T	9JR6100000338	RST CHIP 33K 1/16W 5%	1
R1239	061G0402333 T	9JR6100000338	RST CHIP 33K 1/16W 5%	1
R1240	061T0402104 T	9JR6100000193	RST CHIP 100K 1/16W 5%	1
R1241	061T0402104 T	9JR6100000193	RST CHIP 100K 1/16W 5%	1
R1246	061T0402000 T	9JR6100000190	RST CHIP MAX 0R05 1/16W	1
R1247	061T0402103 T	9JR6100000042	RST CHIP 10K 1/16W 5%	1
R1248	061T0402103 T	9JR6100000042	RST CHIP 10K 1/16W 5%	1



R1250	061T0402000 T	9JR6100000190	RST CHIP MAX 0R05 1/16W	1
R1253	061T0402103 T	9JR6100000042	RST CHIP 10K 1/16W 5%	1
R1254	061T0402103 T	9JR6100000042	RST CHIP 10K 1/16W 5%	1
R1401	061G0402272 T	9JR6100000335	RST CHIP 2K7 1/16W 5%	1
R1402	061G0402100 T	9JR6100000327	RST CHIP 10R 1/16W 5%	1
R1403	061G0402272 T	9JR6100000335	RST CHIP 2K7 1/16W 5%	1
R1404	061G0402100 T	9JR6100000327	RST CHIP 10R 1/16W 5%	1
R1407	061T0402103 T	9JR6100000042	RST CHIP 10K 1/16W 5%	1
R1415	061T0402000 T	9JR6100000190	RST CHIP MAX 0R05 1/16W	1
R1416	061T0402000 T	9JR6100000190	RST CHIP MAX 0R05 1/16W	1
R1417	061T0402000 T	9JR6100000190	RST CHIP MAX 0R05 1/16W	1
R1418	061T0402000 T	9JR6100000190	RST CHIP MAX 0R05 1/16W	1
R1419	061T0402202 T	9JR6100000357	RST CHIP 2K 1/16W 5%	1
R1420	061T0402202 T	9JR6100000357	RST CHIP 2K 1/16W 5%	1
R1421	061T0402101 T	9JR6100000039	RST CHIP 100R 1/16W 5%	1
R1422	061T0402101 T	9JR6100000039	RST CHIP 100R 1/16W 5%	1
R1423	061G04027509FT	9JR6100000346	RST CHIP 75R 1/16W 1%	1
R1424	061G04027509FT	9JR6100000346	RST CHIP 75R 1/16W 1%	1
R1425	061G04027509FT	9JR6100000346	RST CHIP 75R 1/16W 1%	1
R1426	061T0402470 T	9JR6100000358	RST CHIP 47R 1/16W 5%	1
R1427	061T0402470 T	9JR6100000358	RST CHIP 47R 1/16W 5%	1
R1428	061T0402470 T	9JR6100000358	RST CHIP 47R 1/16W 5%	1
R1429	061G0402471 T	9JR6100000341	RST CHIP 470R 1/16W 5%	1
R1430	061T0402103 T	9JR6100000042	RST CHIP 10K 1/16W 5%	1
R1431	061G0603000 T	9JR6100000296	RST CHIP MAX 0R05 1/10W	1
R1501	061T0402202 T	9JR6100000357	RST CHIP 2K 1/16W 5%	1
R1502	061T0402202 T	9JR6100000357	RST CHIP 2K 1/16W 5%	1
R1503	061T0402220 T	9JR6100000195	RST CHIP 22R 1/16W 5%	1
R1504	061T0402102 T	9JR6100000192	RST CHIP 1K 1/16W 5%	1
R1505	061T0402220 T	9JR6100000195	RST CHIP 22R 1/16W 5%	1
R1506	061T0402472 T	9JR6100000205	RST CHIP 4K7 1/16W 5%	1
R1512	061G0402200 T	9JR6100000332	RST CHIP 20R 5% 1/16W	1
R1513	061G0402200 T	9JR6100000332	RST CHIP 20R 5% 1/16W	1
R1514	061G0402200 T	9JR6100000332	RST CHIP 20R 5% 1/16W	1
R1515	061G0402200 T	9JR6100000332	RST CHIP 20R 5% 1/16W	1
R1519	061G0402200 T	9JR6100000332	RST CHIP 20R 5% 1/16W	1
R1520	061T0402472 T	9JR6100000205	RST CHIP 4K7 1/16W 5%	1
R1521	061T0402103 T	9JR6100000042	RST CHIP 10K 1/16W 5%	1
R1522	061G0402200 T	9JR6100000332	RST CHIP 20R 5% 1/16W	1
R1523	061G0402200 T	9JR6100000332	RST CHIP 20R 5% 1/16W	1
R1524	061G0402472 T	9JR6100000342	RST CHIP 4K7 1/16W 5%	1
R1525	061G0402200 T	9JR6100000332	RST CHIP 20R 5% 1/16W	1
R1526	061T0402102 T	9JR6100000192	RST CHIP 1K 1/16W 5%	1
R1527	061T0402103 T	9JR6100000042	RST CHIP 10K 1/16W 5%	1
R1531	061T0402473 T	9JR6100000206	RST CHIP 47K 1/16W 5%	1
R1541	061T0402472 T	9JR6100000205	RST CHIP 4K7 1/16W 5%	1
R1546	061T0402202 T	9JR6100000357	RST CHIP 2K 1/16W 5%	1
R1547	061T0402202 T	9JR6100000357	RST CHIP 2K 1/16W 5%	1
R1548	061T0402000 T	9JR6100000190	RST CHIP MAX 0R05 1/16W	1
R1549	061T0402000 T	9JR6100000190	RST CHIP MAX 0R05 1/16W	1
R1550	061T0402000 T	9JR6100000190	RST CHIP MAX 0R05 1/16W	1
R1553	061G06032701FT	9JR6100000349	RST CHIP 2K7 1/10W 1%	1
R1554	061T0402102 T	9JR6100000192	RST CHIP 1K 1/16W 5%	1
R1555	061T0402102 T	9JR6100000192	RST CHIP 1K 1/16W 5%	1
R1556	061T0402102 T	9JR6100000192	RST CHIP 1K 1/16W 5%	1
R1557	061T0402102 T	9JR6100000192	RST CHIP 1K 1/16W 5%	1
R1558	061T0402102 T	9JR6100000192	RST CHIP 1K 1/16W 5%	1
R1559	061T0402102 T	9JR6100000192	RST CHIP 1K 1/16W 5%	1
R1564	061T0402102 T	9JR6100000192	RST CHIP 1K 1/16W 5%	1
R1565	061T0402102 T	9JR6100000192	RST CHIP 1K 1/16W 5%	1
R1567	061T0402102 T	9JR6100000192	RST CHIP 1K 1/16W 5%	1
R1568	061T0402102 T	9JR6100000192	RST CHIP 1K 1/16W 5%	1
R1701	061T0402103 T	9JR6100000042	RST CHIP 10K 1/16W 5%	1

R1702	061G0402123 T	9JR6100000328	RST CHIP 12K 1/16W 5%	1
R1703	061T0402103 T	9JR6100000042	RST CHIP 10K 1/16W 5%	1
R1704	061G0402123 T	9JR6100000328	RST CHIP 12K 1/16W 5%	1
R1705	061T0402103 T	9JR6100000042	RST CHIP 10K 1/16W 5%	1
R1706	061G0402123 T	9JR6100000328	RST CHIP 12K 1/16W 5%	1
R1707	061T0402103 T	9JR6100000042	RST CHIP 10K 1/16W 5%	1
R1708	061G0402123 T	9JR6100000328	RST CHIP 12K 1/16W 5%	1
R1709	061T0402103 T	9JR6100000042	RST CHIP 10K 1/16W 5%	1
R1710	061G0402123 T	9JR6100000328	RST CHIP 12K 1/16W 5%	1
R1711	061T0402103 T	9JR6100000042	RST CHIP 10K 1/16W 5%	1
R1712	061G0402123 T	9JR6100000328	RST CHIP 12K 1/16W 5%	1
R1713	061T0402103 T	9JR6100000042	RST CHIP 10K 1/16W 5%	1
R1714	061G0402123 T	9JR6100000328	RST CHIP 12K 1/16W 5%	1
R1715	061T0402103 T	9JR6100000042	RST CHIP 10K 1/16W 5%	1
R1716	061G0402123 T	9JR6100000328	RST CHIP 12K 1/16W 5%	1
R1729	061T0402000 T	9JR6100000190	RST CHIP MAX 0R05 1/16W	1
R1730	061T0402000 T	9JR6100000190	RST CHIP MAX 0R05 1/16W	1
R1801	061T0402000 T	9JR6100000190	RST CHIP MAX 0R05 1/16W	1
R1802	061T0402472 T	9JR6100000205	RST CHIP 4K7 1/16W 5%	1
R1803	061T0402472 T	9JR6100000205	RST CHIP 4K7 1/16W 5%	1
R1804	061G0603363 T	9JR6100000350	RST CHIP 36K 1/10W 5%	1
R1807	061G0402153 T	9JR6100000330	RST CHIP 15K 1/16W 5%	1
R1808	061G0402153 T	9JR6100000330	RST CHIP 15K 1/16W 5%	1
R1901	061T0402470 T	9JR6100000358	RST CHIP 47R 1/16W 5%	1
R1905	061G04027509FT	9JR6100000346	RST CHIP 75R 1/16W 1%	1
R1909	061T0402750 T	9JR6100000212	RST CHIP 75R 1/16W 5%	1
R1910	061G0402471 T	9JR6100000341	RST CHIP 470R 1/16W 5%	1
R1911	061T0402393 T	9JR6100000202	RST CHIP 39K 1/16W 5%	1
R1912	061G0402153 T	9JR6100000330	RST CHIP 15K 1/16W 5%	1
R1913	061T0402000 T	9JR6100000190	RST CHIP MAX 0R05 1/16W	1
R1914	061T04021000FT	9JR6100000356	RST CHIP 100R 1/16W 1%	1
R1915	061G0402330 T	9JR6100000336	RST CHIP 33R 1/16W 5%	1
R1916	061T0402750 T	9JR6100000212	RST CHIP 75R 1/16W 5%	1
R1917	061T0402104 T	9JR6100000193	RST CHIP 100K 1/16W 5%	1
R1918	061G0603102 T	9JR6100000286	RST CHIP 1K 1/10W 5%	1
R1919	061G0603102 T	9JR6100000286	RST CHIP 1K 1/10W 5%	1
R1920	061G0402333 T	9JR6100000338	RST CHIP 33K 1/16W 5%	1
R1921	061G0402333 T	9JR6100000338	RST CHIP 33K 1/16W 5%	1
R1922	061G0402100 T	9JR6100000327	RST CHIP 10R 1/16W 5%	1
R1923	061G0402100 T	9JR6100000327	RST CHIP 10R 1/16W 5%	1
R1924	061G0402333 T	9JR6100000338	RST CHIP 33K 1/16W 5%	1
R1925	061G0402333 T	9JR6100000338	RST CHIP 33K 1/16W 5%	1
R1926	061T0603330 T	9JR6100000099	RST CHIP 33R 1/10W 5%	1
R1927	061T0603473 T	9JR6100000246	RST CHIP 47K 1/10W 5%	1
R1928	061T0402103 T	9JR6100000042	RST CHIP 10K 1/16W 5%	1
R1929	061T0402473 T	9JR6100000206	RST CHIP 47K 1/16W 5%	1
R1930	061T0402473 T	9JR6100000206	RST CHIP 47K 1/16W 5%	1
R1931	061T0402103 T	9JR6100000042	RST CHIP 10K 1/16W 5%	1
R1932	061T0402103 T	9JR6100000042	RST CHIP 10K 1/16W 5%	1
R1933	061T0402223 T	9JR6100000198	RST CHIP 22K 1/16W 5%	1
R1934	061T0402223 T	9JR6100000198	RST CHIP 22K 1/16W 5%	1
R1935	061T0402101 T	9JR6100000039	RST CHIP 100R 1/16W 5%	1
R1936	061T0402101 T	9JR6100000039	RST CHIP 100R 1/16W 5%	1
R1937	061G0402183 T	9JR6100000331	RST CHIP R 18Kohm 1/16W +/-5%	1
R1938	061T0402103 T	9JR6100000042	RST CHIP 10K 1/16W 5%	1
R1939	061T0402103 T	9JR6100000042	RST CHIP 10K 1/16W 5%	1
R4101	061G0402330 T	9JR6100000336	RST CHIP 33R 1/16W 5%	1
R4102	061T0402470 T	9JR6100000358	RST CHIP 47R 1/16W 5%	1
R4103	061T0402470 T	9JR6100000358	RST CHIP 47R 1/16W 5%	1
R4104	061G0402333 T	9JR6100000338	RST CHIP 33K 1/16W 5%	1
R4105	061G0402333 T	9JR6100000338	RST CHIP 33K 1/16W 5%	1
R4106	061T0402470 T	9JR6100000358	RST CHIP 47R 1/16W 5%	1

R4107	061T0402470 T	9JR6100000358	RST CHIP 47R 1/16W 5%	1
R4108	061T0402220 T	9JR6100000195	RST CHIP 22R 1/16W 5%	1
R4109	061T0402220 T	9JR6100000195	RST CHIP 22R 1/16W 5%	1
R4110	061T0402470 T	9JR6100000358	RST CHIP 47R 1/16W 5%	1
R4112	061T0402470 T	9JR6100000358	RST CHIP 47R 1/16W 5%	1
R4113	061T0402470 T	9JR6100000358	RST CHIP 47R 1/16W 5%	1
R4114	061T0402470 T	9JR6100000358	RST CHIP 47R 1/16W 5%	1
R4115	061T0402470 T	9JR6100000358	RST CHIP 47R 1/16W 5%	1
R4116	061T0402470 T	9JR6100000358	RST CHIP 47R 1/16W 5%	1
R4117	061T0402470 T	9JR6100000358	RST CHIP 47R 1/16W 5%	1
R4118	061T0402470 T	9JR6100000358	RST CHIP 47R 1/16W 5%	1
R4119	061T0402470 T	9JR6100000358	RST CHIP 47R 1/16W 5%	1
R4120	061T0402470 T	9JR6100000358	RST CHIP 47R 1/16W 5%	1
R4121	061T0402103 T	9JR6100000042	RST CHIP 10K 1/16W 5%	1
R4122	061T0402103 T	9JR6100000042	RST CHIP 10K 1/16W 5%	1
R4124	061G0402333 T	9JR6100000338	RST CHIP 33K 1/16W 5%	1
R4127	061T0402103 T	9JR6100000042	RST CHIP 10K 1/16W 5%	1
R4128	061T0402103 T	9JR6100000042	RST CHIP 10K 1/16W 5%	1
R4129	061G0402333 T	9JR6100000338	RST CHIP 33K 1/16W 5%	1
R4130	061T0402103 T	9JR6100000042	RST CHIP 10K 1/16W 5%	1
R4131	061T0402103 T	9JR6100000042	RST CHIP 10K 1/16W 5%	1
R4132	061G0402333 T	9JR6100000338	RST CHIP 33K 1/16W 5%	1
R4133	061G0402682 T	9JR6100000345	RST CHIP 6K8 1/16W 5%	1
R4136	061T0402101 T	9JR6100000039	RST CHIP 100R 1/16W 5%	1
R4137	061T0402104 T	9JR6100000193	RST CHIP 100K 1/16W 5%	1
R4203	061G0603103 T	9JR6100000287	RST CHIP 10K 1/10W 5%	1
R4207	061T0402101 T	9JR6100000039	RST CHIP 100R 1/16W 5%	1
R4208	061G04023900FT	9JR6100000339	RST CHIP 390R 1/16W 1%	1
R4209	061T0402000 T	9JR6100000190	RST CHIP MAX 0R05 1/16W	1
R4216	061T0402000 T	9JR6100000190	RST CHIP MAX 0R05 1/16W	1
R4217	061T0402220 T	9JR6100000195	RST CHIP 22R 1/16W 5%	1
R4218	061T0402220 T	9JR6100000195	RST CHIP 22R 1/16W 5%	1
R4219	061T0402220 T	9JR6100000195	RST CHIP 22R 1/16W 5%	1
R4220	061T0402220 T	9JR6100000195	RST CHIP 22R 1/16W 5%	1
R4221	061T0402103 T	9JR6100000042	RST CHIP 10K 1/16W 5%	1
R4222	061T0402103 T	9JR6100000042	RST CHIP 10K 1/16W 5%	1
R4223	061T0402102 T	9JR6100000192	RST CHIP 1K 1/16W 5%	1
R4224	061T0402102 T	9JR6100000192	RST CHIP 1K 1/16W 5%	1
R4225	061T0402102 T	9JR6100000192	RST CHIP 1K 1/16W 5%	1
R4226	061T0402103 T	9JR6100000042	RST CHIP 10K 1/16W 5%	1
R4227	061G04023301FT	9JR6100000337	RST CHIP 3K3 1/16W 1%	1
R4228	061G0402682 T	9JR6100000345	RST CHIP 6K8 1/16W 5%	1
R4230	061G0603101 T	9JR6100000285	RST CHIP 100R 1/10W 5%	1
R4232	061T0402103 T	9JR6100000042	RST CHIP 10K 1/16W 5%	1
R4234	061T0402103 T	9JR6100000042	RST CHIP 10K 1/16W 5%	1
R4235	061T0402103 T	9JR6100000042	RST CHIP 10K 1/16W 5%	1
R4237	061T0402103 T	9JR6100000042	RST CHIP 10K 1/16W 5%	1
R4239	061T0402470 T	9JR6100000358	RST CHIP 47R 1/16W 5%	1
R4240	061T0402470 T	9JR6100000358	RST CHIP 47R 1/16W 5%	1
R4241	061T0402470 T	9JR6100000358	RST CHIP 47R 1/16W 5%	1
R4242	061T0402470 T	9JR6100000358	RST CHIP 47R 1/16W 5%	1
R4243	061T0402470 T	9JR6100000358	RST CHIP 47R 1/16W 5%	1
R4244	061T0402472 T	9JR6100000205	RST CHIP 4K7 1/16W 5%	1
R4246	061T0402470 T	9JR6100000358	RST CHIP 47R 1/16W 5%	1
R4247	061G0402333 T	9JR6100000338	RST CHIP 33K 1/16W 5%	1
R4248	061T0402470 T	9JR6100000358	RST CHIP 47R 1/16W 5%	1
R4249	061G0402333 T	9JR6100000338	RST CHIP 33K 1/16W 5%	1
R4252	061T0402103 T	9JR6100000042	RST CHIP 10K 1/16W 5%	1
R4254	061T0402470 T	9JR6100000358	RST CHIP 47R 1/16W 5%	1
R4256	061T0402103 T	9JR6100000042	RST CHIP 10K 1/16W 5%	1
R4258	061T0402470 T	9JR6100000358	RST CHIP 47R 1/16W 5%	1
R4259	061T0402103 T	9JR6100000042	RST CHIP 10K 1/16W 5%	1
R4260	061T0402472 T	9JR6100000205	RST CHIP 4K7 1/16W 5%	1

R4261	061T0402103 T	9JR6100000042	RST CHIP 10K 1/16W 5%	1
R4262	061T0402103 T	9JR6100000042	RST CHIP 10K 1/16W 5%	1
R4263	061T0402470 T	9JR6100000358	RST CHIP 47R 1/16W 5%	1
R4264	061T0402470 T	9JR6100000358	RST CHIP 47R 1/16W 5%	1
R4265	061T0402470 T	9JR6100000358	RST CHIP 47R 1/16W 5%	1
R4266	061T0402470 T	9JR6100000358	RST CHIP 47R 1/16W 5%	1
R4267	061T0402470 T	9JR6100000358	RST CHIP 47R 1/16W 5%	1
R4268	061T0402470 T	9JR6100000358	RST CHIP 47R 1/16W 5%	1
R4269	061T0402103 T	9JR6100000042	RST CHIP 10K 1/16W 5%	1
R4270	061T0402103 T	9JR6100000042	RST CHIP 10K 1/16W 5%	1
R4271	061T0402103 T	9JR6100000042	RST CHIP 10K 1/16W 5%	1
R4272	061T0402103 T	9JR6100000042	RST CHIP 10K 1/16W 5%	1
R4273	061T0402220 T	9JR6100000195	RST CHIP 22R 1/16W 5%	1
R4274	061T0402470 T	9JR6100000358	RST CHIP 47R 1/16W 5%	1
R4276	061G0402333 T	9JR6100000338	RST CHIP 33K 1/16W 5%	1
R4277	061T0402470 T	9JR6100000358	RST CHIP 47R 1/16W 5%	1
R4278	061T0402103 T	9JR6100000042	RST CHIP 10K 1/16W 5%	1
R4279	061G0402153 T	9JR6100000330	RST CHIP 15K 1/16W 5%	1
R4280	061G0402153 T	9JR6100000330	RST CHIP 15K 1/16W 5%	1
R4281	061T0402103 T	9JR6100000042	RST CHIP 10K 1/16W 5%	1
R4282	061T0402470 T	9JR6100000358	RST CHIP 47R 1/16W 5%	1
R4283	061T04024700FT	9JR6100000203	RST CHIP 470R 1/16W 1%	1
R4284	061G04024300FT	9JR6100000340	RST CHIP 430R 1/16W 1%	1
R4285	061G0603101 T	9JR6100000285	RST CHIP 100R 1/10W 5%	1
R4286	061T0402472 T	9JR6100000205	RST CHIP 4K7 1/16W 5%	1
R4287	061T0402104 T	9JR6100000193	RST CHIP 100K 1/16W 5%	1
R4290	061G0603103 T	9JR6100000287	RST CHIP 10K 1/10W 5%	1
R4291	061G0603103 T	9JR6100000287	RST CHIP 10K 1/10W 5%	1
R4292	061G0603103 T	9JR6100000287	RST CHIP 10K 1/10W 5%	1
R4294	061G0603103 T	9JR6100000287	RST CHIP 10K 1/10W 5%	1
R4296	061G0603103 T	9JR6100000287	RST CHIP 10K 1/10W 5%	1
R4297	061T0402470 T	9JR6100000358	RST CHIP 47R 1/16W 5%	1
R4299	061T0402103 T	9JR6100000042	RST CHIP 10K 1/16W 5%	1
R4303	061T0402103 T	9JR6100000042	RST CHIP 10K 1/16W 5%	1
R4401	061G0603103 T	9JR6100000287	RST CHIP 10K 1/10W 5%	1
R4402	061G0603103 T	9JR6100000287	RST CHIP 10K 1/10W 5%	1
R4403	061T0402220 T	9JR6100000195	RST CHIP 22R 1/16W 5%	1
R4404	061T0402220 T	9JR6100000195	RST CHIP 22R 1/16W 5%	1
R4405	061T0402220 T	9JR6100000195	RST CHIP 22R 1/16W 5%	1
R4406	061G04025609FT	9JR6100000344	RST CHIP 56R 1/16W 1%	1
R4407	061G04025609FT	9JR6100000344	RST CHIP 56R 1/16W 1%	1
R4408	061G04025609FT	9JR6100000344	RST CHIP 56R 1/16W 1%	1
R4409	061G04025609FT	9JR6100000344	RST CHIP 56R 1/16W 1%	1
R4410	061G04021500FT	9JR6100000329	RST CHIP 150R 1/16W 1%	1
R4411	061T0402220 T	9JR6100000195	RST CHIP 22R 1/16W 5%	1
R4414	061T0402101 T	9JR6100000039	RST CHIP 100R 1/16W 5%	1
R4415	061T0402101 T	9JR6100000039	RST CHIP 100R 1/16W 5%	1
R4417	061T0402101 T	9JR6100000039	RST CHIP 100R 1/16W 5%	1
R4420	061G0603103 T	9JR6100000287	RST CHIP 10K 1/10W 5%	1
R4421	061T0402101 T	9JR6100000039	RST CHIP 100R 1/16W 5%	1
R4422	061T0402101 T	9JR6100000039	RST CHIP 100R 1/16W 5%	1
R4423	061T0402101 T	9JR6100000039	RST CHIP 100R 1/16W 5%	1
R4424	061G0603000 T	9JR6100000296	RST CHIP MAX 0R05 1/10W	1
R6101	061T0603473 T	9JR6100000246	RST CHIP 47K 1/10W 5%	1
R6102	061G0603102 T	9JR6100000286	RST CHIP 1K 1/10W 5%	1
R6103	061G0603563 T	9JR6100000352	RST CHIP 56K 1/10W 5%	1
R6104	061G0603563 T	9JR6100000352	RST CHIP 56K 1/10W 5%	1
R6105	061G0603184 T	9JR6100000348	RST CHIP 180K 1/10W 5%	1
R6106	061G0603103 T	9JR6100000287	RST CHIP 10K 1/10W 5%	1
R6108	061T0402101 T	9JR6100000039	RST CHIP 100R 1/16W 5%	1
R6109	061T0402101 T	9JR6100000039	RST CHIP 100R 1/16W 5%	1
R6110	061T0402103 T	9JR6100000042	RST CHIP 10K 1/16W 5%	1

R6111	061T0603473 T	9JR6100000246	RST CHIP 47K 1/10W 5%	1
R6112	061T0603330 T	9JR6100000099	RST CHIP 33R 1/10W 5%	1
R6113	061G0402333 T	9JR6100000338	RST CHIP 33K 1/16W 5%	1
R6114	061G0402333 T	9JR6100000338	RST CHIP 33K 1/16W 5%	1
R6115	061G0402100 T	9JR6100000327	RST CHIP 10R 1/16W 5%	1
R6116	061G0402100 T	9JR6100000327	RST CHIP 10R 1/16W 5%	1
R6117	061G0603101 T	9JR6100000285	RST CHIP 100R 1/10W 5%	1
R6118	061G0603471 T	9JR6100000351	RST CHIP 470R 1/10W 5%	1
R6119	061G0603182 T	9JR6100000347	RST CHIP 1K8 1/10W 5%	1
R6120	061G0402100 T	9JR6100000327	RST CHIP 10R 1/16W 5%	1
R6121	061G0402100 T	9JR6100000327	RST CHIP 10R 1/16W 5%	1
R6122	061G1206222 T	9JR6100000355	RST CHIP 2K2 1/4W 5%	1
R6123	061G1206222 T	9JR6100000355	RST CHIP 2K2 1/4W 5%	1
R6129	061G1206222 T	9JR6100000355	RST CHIP 2K2 1/4W 5%	1
R6130	061G1206222 T	9JR6100000355	RST CHIP 2K2 1/4W 5%	1
R6131	061T0402101 T	9JR6100000039	RST CHIP 100R 1/16W 5%	1
R6132	061T0402101 T	9JR6100000039	RST CHIP 100R 1/16W 5%	1
R6133	061T0402223 T	9JR6100000198	RST CHIP 22K 1/16W 5%	1
R6134	061T0402223 T	9JR6100000198	RST CHIP 22K 1/16W 5%	1
R6135	061T0402103 T	9JR6100000042	RST CHIP 10K 1/16W 5%	1
R6136	061T0402103 T	9JR6100000042	RST CHIP 10K 1/16W 5%	1
R6137	061T0402223 T	9JR6100000198	RST CHIP 22K 1/16W 5%	1
R6138	061T0402223 T	9JR6100000198	RST CHIP 22K 1/16W 5%	1
R6139	061T0402473 T	9JR6100000206	RST CHIP 47K 1/16W 5%	1
R6140	061T0402473 T	9JR6100000206	RST CHIP 47K 1/16W 5%	1
R6142	061T0402103 T	9JR6100000042	RST CHIP 10K 1/16W 5%	1
R6143	061T0402103 T	9JR6100000042	RST CHIP 10K 1/16W 5%	1
R6144	061T0402473 T	9JR6100000206	RST CHIP 47K 1/16W 5%	1
R6145	061T0402473 T	9JR6100000206	RST CHIP 47K 1/16W 5%	1
R6146	061T0402103 T	9JR6100000042	RST CHIP 10K 1/16W 5%	1
R6147	061T0603473 T	9JR6100000246	RST CHIP 47K 1/10W 5%	1
R6148	061T0603330 T	9JR6100000099	RST CHIP 33R 1/10W 5%	1
R6149	061G0402333 T	9JR6100000338	RST CHIP 33K 1/16W 5%	1
R6150	061G0402333 T	9JR6100000338	RST CHIP 33K 1/16W 5%	1
R6151	061G0402100 T	9JR6100000327	RST CHIP 10R 1/16W 5%	1
R6152	061G0402100 T	9JR6100000327	RST CHIP 10R 1/16W 5%	1
R7101	061T0603473 T	9JR6100000246	RST CHIP 47K 1/10W 5%	1
R7102	061G0603102 T	9JR6100000286	RST CHIP 1K 1/10W 5%	1
R7103	061G0603563 T	9JR6100000352	RST CHIP 56K 1/10W 5%	1
R7104	061G0603563 T	9JR6100000352	RST CHIP 56K 1/10W 5%	1
R7105	061G0603103 T	9JR6100000287	RST CHIP 10K 1/10W 5%	1
R7106	061T0402000 T	9JR6100000190	RST CHIP MAX 0R05 1/16W	1
R7113	061G0603563 T	9JR6100000352	RST CHIP 56K 1/10W 5%	1
R7115	061G0603103 T	9JR6100000287	RST CHIP 10K 1/10W 5%	1
R7116	061G0603102 T	9JR6100000286	RST CHIP 1K 1/10W 5%	1
R7117	061G0603563 T	9JR6100000352	RST CHIP 56K 1/10W 5%	1
R7118	061G0805229 T	9JR6100000354	RST CHIP 2R2 1/8W 5%	1
R7119	061G06032701FT	9JR6100000349	RST CHIP 2K7 1/10W 1%	1
R7120	061T06031002FT	9JR6100000359	RST CHIP 10K 1/10W 1%	1
R7121	061G0603822 T	9JR6100000353	RST CHIP 8K2 1/10W 5%	1
R7123	061G06031000FT	9JR6100000002	RST CHIP 100R 1/10W 1%	1
R7124	061T06031100FT	9JR6100000360	RST CHIP 110R 1/10W 1%	1
R7125	061T06031200FT	9JR6100000078	RST CHIP 120R 1/10W 1%	1
R7137	061T06032000FT	9JR6100000083	RST CHIP 200R 1/10W 1%	1
R7138	061T0603473 T	9JR6100000246	RST CHIP 47K 1/10W 5%	1
R7139	061G0603563 T	9JR6100000352	RST CHIP 56K 1/10W 5%	1
R7140	061T06031200FT	9JR6100000078	RST CHIP 120R 1/10W 1%	1
R7141	061T06032000FT	9JR6100000083	RST CHIP 200R 1/10W 1%	1
R7201	061T0402472 T	9JR6100000205	RST CHIP 4K7 1/16W 5%	1
R7203	061G0402100 T	9JR6100000327	RST CHIP 10R 1/16W 5%	1
R7205	061G0603103 T	9JR6100000287	RST CHIP 10K 1/10W 5%	1
R7206	061G0603103 T	9JR6100000287	RST CHIP 10K 1/10W 5%	1
R7208	061G0603101 T	9JR6100000285	RST CHIP 100R 1/10W 5%	1

R7209	061G0603103 T	9JR6100000287	RST CHIP 10K 1/10W 5%	1
R7213	061T0603473 T	9JR6100000246	RST CHIP 47K 1/10W 5%	1
R7214	061T0402470 T	9JR6100000358	RST CHIP 47R 1/16W 5%	1
R7217	061T0402472 T	9JR6100000205	RST CHIP 4K7 1/16W 5%	1
R7301	061G0402479 T	9JR6100000343	RST CHIP 4R7 1/16W 5%	1
R7302	061G0402479 T	9JR6100000343	RST CHIP 4R7 1/16W 5%	1
R7303	061T0402000 T	9JR6100000190	RST CHIP MAX 0R05 1/16W	1
R7310	061T0402000 T	9JR6100000190	RST CHIP MAX 0R05 1/16W	1
R7319	061T0402470 T	9JR6100000358	RST CHIP 47R 1/16W 5%	1
R7320	061T0402101 T	9JR6100000039	RST CHIP 100R 1/16W 5%	1
R7321	061T0402101 T	9JR6100000039	RST CHIP 100R 1/16W 5%	1
R7322	061T0402101 T	9JR6100000039	RST CHIP 100R 1/16W 5%	1
RP4401	061G 126470 8Y	9JR6100000326	RST CHIP AR 8P4R 47 OHM +-5% 1/16W	1
RP4402	061G 126470 8Y	9JR6100000326	RST CHIP AR 8P4R 47 OHM +-5% 1/16W	1
RP4403	061G 126470 8Y	9JR6100000326	RST CHIP AR 8P4R 47 OHM +-5% 1/16W	1
RP4404	061G 126470 8Y	9JR6100000326	RST CHIP AR 8P4R 47 OHM +-5% 1/16W	1
RP4405	061G 126470 8Y	9JR6100000326	RST CHIP AR 8P4R 47 OHM +-5% 1/16W	1
RP4406	061G 126470 8Y	9JR6100000326	RST CHIP AR 8P4R 47 OHM +-5% 1/16W	1
RP4407	061G 126470 8Y	9JR6100000326	RST CHIP AR 8P4R 47 OHM +-5% 1/16W	1
TU1101	094GPASEALL10G	9JR9400000003	TUNER PAL+SECAM TAFT-S710D	1
U1101	056G 563964	9JR5600000059	IC SC4215HSTRT SO-8	1
U1201	056T 192901	9JR5600000067	IC DRV601RTJR QFN-20	1
U1401	056G1133956	9JR5600000066	IC CAT24C02WI-GT3 SO-8	1
U1501	056G1133956	9JR5600000066	IC CAT24C02WI-GT3 SO-8	1
U1503	056G 634 24	9JR5600000062	IC TMDS261PAGT TQFP-64	1
U1801	056T 665918	9JR5600000071	IC STMP2171STR SOT23-5L	1
U1901	056T 192901	9JR5600000067	IC DRV601RTJR QFN-20	1
U4101	056T1125195	9JR5600000072	IC WT6703F-SG240WT SOP-24	1
U4102	056G 643906	9JR5600000063	IC APX809-26SAG-7 SOT23	1
U4201	056T1126 62	9JR5600000073	IC MST9A885GL-LF LQFP-256	1
U4202	056G 643A03	9JR5600000064	IC APX810-29SAG-7 SOT23	1
U4203	056T113353A	9JR5600000074	M24C32-WMN6TP	1
U4401	056G 615924	9JR5600000060	IC W9412G6IH-5 TSSOP-66	1
U4402	056G1133950	9JR5600000065	IC W25X16AVSSIG SO-8 208mil	1
U6101	056T 192901	9JR5600000067	IC DRV601RTJR QFN-20	1
U6102	056G 616917	9JR5600000061	IC TPA3124D2PWPR	1
U6103	056T 192901	9JR5600000067	IC DRV601RTJR QFN-20	1
U7101	056T 368906	9JR5600000068	2C TPS62203DBVRG4 SOT-23	1
U7103	056T 563952	9JR5600000070	IC SC4524BSETRT SO-8	1
U7105	056T 563922	9JR5600000069	IC AME1117ACGTZ SOT223	1
U7108	056T 563922	9JR5600000069	IC AME1117ACGTZ SOT223	1
U7109	056T 563922	9JR5600000069	IC AME1117ACGTZ SOT223	1
X1401	093T 22 61 HE	9JR9300000081	XTL 1TC125DFNS004 32.768KHZ DT-38	1
X4201	093G 22S903 C	9JR9300000075	CRYSTAL 14M318 18P HC49/S	1
ZD1201	093G 64 37 N	9JR9300000074	VPORT0603100KV05	1
ZD1202	093G 64 37 N	9JR9300000074	VPORT0603100KV05	1
ZD1203	093G 64 37 N	9JR9300000074	VPORT0603100KV05	1
ZD1204	093G 64 37 N	9JR9300000074	VPORT0603100KV05	1
ZD1205	093G 64 37 N	9JR9300000074	VPORT0603100KV05	1
ZD1206	093G 64 37 N	9JR9300000074	VPORT0603100KV05	1
ZD1401	093T 39S911 T	9JR9300000084	DIODE BZX84-C5V6 SOT-23 PHILIPS	1
ZD1402	093T 39S911 T	9JR9300000084	DIODE BZX84-C5V6 SOT-23 PHILIPS	1
ZD1403	093T 39S911 T	9JR9300000084	DIODE BZX84-C5V6 SOT-23 PHILIPS	1
ZD1404	093T 39S911 T	9JR9300000084	DIODE BZX84-C5V6 SOT-23 PHILIPS	1
ZD1405	093T 39S911 T	9JR9300000084	DIODE BZX84-C5V6 SOT-23 PHILIPS	1
ZD1501	093T 39S911 T	9JR9300000084	DIODE BZX84-C5V6 SOT-23 PHILIPS	1
ZD1504	093T 64 65 TY	9JR9300000083	SMD ESD PROTECTOR PESD0603-240	1
ZD1505	093T 64 65 TY	9JR9300000083	SMD ESD PROTECTOR PESD0603-240	1
ZD1506	093T 64 65 TY	9JR9300000083	SMD ESD PROTECTOR PESD0603-240	1
ZD1701	093G 64 37 N	9JR9300000074	VPORT0603100KV05	1
ZD1702	093G 64 37 N	9JR9300000074	VPORT0603100KV05	1
ZD1703	093G 64 37 N	9JR9300000074	VPORT0603100KV05	1

ZD1704	093G 64 37 N	9JR9300000074	VPORT0603100KV05	1
ZD1901	093G 64 37 N	9JR9300000074	VPORT0603100KV05	1
ZD1902	093G 64 37 N	9JR9300000074	VPORT0603100KV05	1
ZD1903	093G 64 37 N	9JR9300000074	VPORT0603100KV05	1
ZD1904	093G 64 37 N	9JR9300000074	VPORT0603100KV05	1
ZD6101	093G 39S 47	9JR9300000076	BZX84C3V6 SOT-23	1
ZD7101	093G 60S801	9JR9300000079	DIODE SSA34 VISHAY	1
<b>1054</b>	<b>PWTV9942LPR1</b>	<b>9JR9900000026</b>	<b>POWER PCB ASSY</b>	
BD901	093G 50460913	9JR9300000059	BRIDGE DIODE TS4B06G 4A/800V	1
C801	065G 3J5606ET	9JR6500000167	CAP CER 56PF J 3KV	1
C802	065G 3J5606ET	9JR6500000167	CAP CER 56PF J 3KV	1
C803	065G080510432K Y	9JR6500000168	CAP CHIP 0805 100N 50V X7R +/-10%	1
C804	065G080547332K Y	9JR6500000169	CAP CHIP 0805 47N 50V X7R +/-10%	1
C805	067G 215471 6K	9JR6700000102	EC 470uF 35V ED 12.5x16mm	1
C806	065G080510522K Y	9JR6500000170	CAP CHIP 0805 1UF K 25V X7R	1
C807	065G 3J2706ET	9JR6500000171	27PFJ 3KV SL	1
C808	065G080547332K Y	9JR6500000169	CAP CHIP 0805 47N 50V X7R +/-10%	1
C809	065G080510522K Y	9JR6500000170	CAP CHIP 0805 1UF K 25V X7R	1
C810	065G 3J5606ET	9JR6500000167	CAP CER 56PF J 3KV	1
C811	065G 6J2096ET	9JR6500000175	2PF 5% SL 6KV	1
C812	065G 3J5606ET	9JR6500000167	CAP CER 56PF J 3KV	1
C813	065G060322131J Y	9JR6500000177	CAP CHIP 0603 220P 50V NPO +/-5%	1
C816	065G080539131J Y	9JR6500000178	CAP CHIP 0805 390P 50V NPO +/-5%	1
C817	065G080547332K Y	9JR6500000169	CAP CHIP 0805 47N 50V X7R +/-10%	1
C818	065G080533332K Y	9JR6500000180	CAP CHIP 0805 33N 50V X7R +/-10%	1
C819	065G080510522K Y	9JR6500000170	CAP CHIP 0805 1UF K 25V X7R	1
C820	065G080533332K Y	9JR6500000180	CAP CHIP 0805 33N 50V X7R +/-10%	1
C821	065G080510522K Y	9JR6500000170	CAP CHIP 0805 1UF K 25V X7R	1
C822	065G080510422K Y	9JR6500000184	CAP CHIP 0805 100N 25V X7R +/-10%	1
C826	065G 3J2706ET	9JR6500000171	27PFJ 3KV SL	1
C900	065G306M1022B3	9JR6500000186	Y1 CAP 1000PF M 250VAC TDK	1
C901	065G306M1022B3	9JR6500000186	Y1 CAP 1000PF M 250VAC TDK	1
C902	065G120610272K Y	9JR6500000187	CAP CHIP 1206 1NF K 500V X7R	1
C903	065T 1K103 2E6213	9JR6500000188	CAP CER 10NF K 1KV	1
C904	065G120610272K Y	9JR6500000187	CAP CHIP 1206 1NF K 500V X7R	1
C905	065G306M3322B3	9JR6500000190	0.0033UF/250V	1
C906	065T306M3322B3	9JR6500000191	Y1 CAP 3300pF / 250V. +/- 20%	1
C907	067G305L10115L	9JR6700000103	EC 100uF 450V RGA 18x35.5mm	1
C908	063G107K334 US	9JR6300000010	X2.MKP.0.33UF,275VAC+-10%EUROP	1
C909	065G306M1022B3	9JR6500000186	Y1 CAP 1000PF M 250VAC TDK	1
C912	065G080510131J Y	9JR6500000193	CAP CHIP 0805 100PF J 50V NPO	1
C913	067T515A102 6C	9JR6700000104	EC 1000uF 35V GF 13x20mm	1
C914	067G215P4716KV	9JR6700000105	LOW ESR EC 470uF M 35V 10*20mm	1
C915	065G517K2224AT	9JR6500000194	C CAP. 2200PF 500V PITCH 5.0 mm	1
C917	065G080547332K Y	9JR6500000169	CAP CHIP 0805 47N 50V X7R +/-10%	1
C919	065G080510432K Y	9JR6500000168	CAP CHIP 0805 100N 50V X7R +/-10%	1
C920	067G215Y2207KT	9JR6700000106	CAP 105°C 22UF M 50V KINGNICHII	1
C921	067T215D222 3C	9JR6700000107	EC 2200uF 16V GF 13*20mm	1
C922	067G215S4713KV	9JR6700000108	EC 105°C CAP 470UF M 16V	1
C925	065G 1K1519AT	9JR6500000197	C CAP. 150PF 1KV RR	1
C926	065G080510432K Y	9JR6500000168	CAP CHIP 0805 100N 50V X7R +/-10%	1
C927	065G080510432K Y	9JR6500000168	CAP CHIP 0805 100N 50V X7R +/-10%	1
C930	065G080510432K Y	9JR6500000168	CAP CHIP 0805 100N 50V X7R +/-10%	1
C951	065G080510332K Y	9JR6500000199	CAP CHIP 0805 10N 50V X7R +/-10%	1
CN801	033G8021 2E XY	9JR3300000038	CONNECTOR	1
CN802	033G8021 2E XY	9JR3300000038	CONNECTOR	1
CN803	033G8021 2E XY	9JR3300000038	CONNECTOR	1
CN804	033G8021 2E XY	9JR3300000038	CONNECTOR	1
CN901	087G 501908 S	9JR8700000003	AC SOCKET 2P ST58-BBAN-0000	1
CN902	095G 82511F905	9JR9500000046	HARNESS 11P-10P 140mm 75361-HF	1
D801	093G 64 42 PP	9JR9300000060	BAV70 SOT-23	1

D802	093G 64S522SEM	9JR9300000061	LL4148	1
D803	093G 6433S	9JR9300000062	DIODE BAV99 SEMTECH	1
D804	093G 64 42 PP	9JR9300000060	BAV70 SOT-23	1
D805	093G 64 42 PP	9JR9300000060	BAV70 SOT-23	1
D901	093G110090052T	9JR9300000064	DIODE UG1007 1A 1000V DO-41	1
D902	093G 60903	9JR9300000065	Diode MBRF10150CT TSC	1
D903	093G 6038T52T	9JR9300000066	FR103	1
D904	093G 64S522SEM	9JR9300000061	LL4148	1
D905	093G 60507	9JR9300000068	SRF1060	1
D906	093G100490052T	9JR9300000069	DIODE SR104 40V 1A DO-41	1
F901	084G 41 3	9JR8400000005	3.15AH/250V	1
F902	084G 56 3W	9JR8400000006	FUSE	1
FB901	071G 55906	9JR7100000023	FERRITE CORE 510R C8B R6H 6x9.2(A)	1
H4	P09T0001 1	9JR0900000002	GND TERMINAL	1
H5	P09T0001 1	9JR0900000002	GND TERMINAL	1
HD902	Q90T6064 1	9JR9000000008	HEAT SINK	1
HD905	P90T0012 1	9JR9000000003	HEATSINK(10*18*20)	1
HQ903	Q90T6064 1	9JR9000000008	HEAT SINK	1
IC801	056G 608 12	9JR5600000055	IC ta9687GN-A-0-TR SOP-16	1
IC901	056G 379128	9JR5600000056	IC LD7576 GS SOP-8	1
IC902	056G 139 7 1	9JR5600000057	IC EL817MA M-TYPE	1
IC903	056G 158 10 T	9JR5600000058	IC AS431AZTR-E1 TO-92	1
J908	061G1206000 T	9JR61000000317	RST CHIP MAX 0R05 1/4W	1
J909	095G 90 23	9JR9500000047	JUMPER WIRE	1
L801	073G 174 35 HA	9JR7300000035	IND FILTER 200mH+-25% DADON	1
L802	073G 174 35 HA	9JR7300000035	IND FILTER 200mH+-25% DADON	1
L902	073T 174900 H	9JR7300000036	LINE FILTER 9mH 1A	1
L903	073G 253 91 H	9JR7300000037	CHOKE COIL	1
L904	073G 253 91 H	9JR7300000037	CHOKE COIL	1
NR901	061G 58911 W	9JR6100000293	NTC 4A/7R 20% SCK13074MMY502	1
Q801	057G 763904	9JR5700000038	TRA FET 2N7002 SOT-23 PHILIPS	1
Q805	057T 763 91	9JR5700000039	FET AO4620 7.2A/30V -5.3A/-30V SOIC-8	1
Q806	057T 763 91	9JR5700000039	FET AO4620 7.2A/30V -5.3A/-30V SOIC-8	1
Q903	057G 600 35	9JR5700000040	STP8NK80ZFP	1
R802	061G0805512 T	9JR61000000314	RST CHIP 5K1 1/8W 5%	1
R803	061G0805512 T	9JR61000000314	RST CHIP 5K1 1/8W 5%	1
R804	061G0805821 T	9JR61000000316	RST CHIP 820R 1/8W 5%	1
R805	061G0805220 T	9JR61000000307	RST CHIP 22R 1/8W 5%	1
R806	061G0805103 T	9JR61000000302	RST CHIP 10K 1/8W 5%	1
R807	061G0805103 T	9JR61000000302	RST CHIP 10K 1/8W 5%	1
R808	061G0805473 T	9JR61000000312	RST CHIP 47K 1/8W 5%	1
R809	061G0805104 T	9JR61000000303	RST CHIP 100K 1/8W 5%	1
R810	061G0805104 T	9JR61000000303	RST CHIP 100K 1/8W 5%	1
R811	061G212Y62552T SY	9JR61000000325	RST MGFR 6.2MOHM +-5% 1/2W FUTABA	1
R812	061G0603513 T	9JR61000000298	RST CHIP 51K 1/10W 5%	1
R813	061G0805105 T	9JR61000000304	RST CHIP 1M 1/8W 5%	1
R814	061G0805821 T	9JR61000000316	RST CHIP 820R 1/8W 5%	1
R815	061G0805104 T	9JR61000000303	RST CHIP 100K 1/8W 5%	1
R817	061G0603000 T	9JR61000000296	RST CHIP MAX 0R05 1/10W	1
R818	061G0603512 T	9JR61000000012	RST CHIP 5K1 1/10W 5%	1
R820	061G 60210552T	9JR61000000295	1MOHM 5% 1/6W	1
R821	061G0805511 T	9JR61000000313	RST CHIP 510R 1/8W 5%	1
R822	061G0805682 T	9JR61000000315	RST CHIP 6K8 1/8W 5%	1
R823	061G0603105 T	9JR61000000297	RST CHIP 1M 1/10W 5%	1
R824	061G0805105 T	9JR61000000304	RST CHIP 1M 1/8W 5%	1
R825	061G0805105 T	9JR61000000304	RST CHIP 1M 1/8W 5%	1
R826	061G0805103 T	9JR61000000302	RST CHIP 10K 1/8W 5%	1
R827	061G0603103 T	9JR61000000287	RST CHIP 10K 1/10W 5%	1
R828	061G0603103 T	9JR61000000287	RST CHIP 10K 1/10W 5%	1
R829	061G0805103 T	9JR61000000302	RST CHIP 10K 1/8W 5%	1
R830	061G0805000 T	9JR61000000013	RST CHIP MAX 0R05 1/8W	1
R832	061G0805000 T	9JR61000000013	RST CHIP MAX 0R05 1/8W	1



R833	061G0805000 T	9JR6100000013	RST CHIP MAX 0R05 1/8W	1
R900	061G212Y27552T SY	9JR6100000324	RST MGFR 2M7 5% 1/2W	1
R902	061G0805101 T	9JR6100000300	RST CHIP 100R 1/8W 5%	1
R903	061G1206101 T	9JR6100000318	RST CHIP 100R 1/4W 5%	1
R904	061G1206101 T	9JR6100000318	RST CHIP 100R 1/4W 5%	1
R905	061G1206101 T	9JR6100000318	RST CHIP 100R 1/4W 5%	1
R909	061G0805102 T	9JR6100000301	RST CHIP 1K 1/8W 5%	1
R910	061G0805203 T	9JR6100000306	RST CHIP 20K 1/8W 5%	1
R915	061G1206339 T	9JR6100000321	RST CHIP 3R3 1/4W 5%	1
R916	061G1206101 T	9JR6100000318	RST CHIP 100R 1/4W 5%	1
R917	061G1206101 T	9JR6100000318	RST CHIP 100R 1/4W 5%	1
R918	061G1206101 T	9JR6100000318	RST CHIP 100R 1/4W 5%	1
R919	061G0805100 T	9JR6100000299	RST CHIP 10R 1/8W 5%	1
R920	061G1206223 T	9JR6100000319	RST CHIP 22K 1/4W 5%	1
R921	061G1206101 T	9JR6100000318	RST CHIP 100R 1/4W 5%	1
R923	061G0805332 T	9JR6100000309	RST CHIP 3K3 1/8W 5%	1
R925	061G208M51852T	9JR6100000323	RST MOF 0R51 5% 1W	1
R926	061G0805431 T	9JR6100000311	RST CHIP 430R 5% 1/8W	1
R927	061G0805101 T	9JR6100000300	RST CHIP 100R 1/8W 5%	1
R928	061G08053901FT	9JR6100000310	RST CHIP 3K9 1/8W 1%	1
R929	061G 21051352T TZ	9JR6100000294	RST MFLM 51K 1/6W 1%	1
R931	061G0805152 T	9JR6100000305	RST CHIP 1K5 1/8W 5%	1
R932	061G08052401FT	9JR6100000308	RST CHIP R 2K4 +/-1% 1/8W	1
R934	061G208M43952T SY	9JR6100000322	RST MOF 4R3 1W 5%	1
R936	061G1206331 T	9JR6100000320	RST CHIP 330R 5% 1/4W	1
RV901	061G 46906 W	9JR6100000292	VARISTOR 560V TVR14561KFC4FY	1
RV902	061G 46902	9JR6100000291	VARISTOR 510V TVR14511KFC4FY	1
SG902	062G 10 18 KW	9JR6200000004	SURGE PROTECT GS41-201MA A	1
T801	080GL19T933 H	9JR8000000008	XFMR INVERTER 138uH 54D-8100	1
T901	006G 31 4	9JR0060000001	1.7MM RIVET	4
T901	080GL19P948 L	9JR8000000009	XFMR 750uH PT-011791	1
ZD801	093G 39GA01 T	9JR9300000070	RLZ5.6B	1
ZD802	093G 39GA01 T	9JR9300000070	RLZ5.6B	1
ZD902	093G 3995052T	9JR9300000071	DIODE P6KE15A DO-15	1
ZD903	093G 39S 48 T	9JR9300000072	DIODE ZENER RLZ6.2B ROHM	1
ZD906	093G 3994752T	9JR9300000073	DIODE P6KE180A DO-15	1
<b>1114</b>	<b>KEPF9PA6</b>	<b>9JR9900000025</b>	<b>KEY PCB ASSY</b>	
CN016	033G8032 4F X	9JR3300000037	WAFER 4P 1.25MM	1
R016	061G0603222 T	9JR6100000289	RST CHIP 2K2 1/10W 5%	1
R017	061G0603222 T	9JR6100000289	RST CHIP 2K2 1/10W 5%	1
R018	061T0603471 T	9JR6100000110	RST CHIP 470R 1/10W 5%	1
R021	061T0603471 T	9JR6100000110	RST CHIP 470R 1/10W 5%	1
R019	061T0603562 T	9JR6100000250	RST CHIP 5K6 1/10W 5%	1
R022	061T0603562 T	9JR6100000250	RST CHIP 5K6 1/10W 5%	1
C016	065G060310422K Y	9JR6500000166	CAP CHIP 0603 100N 25V X7R +/-10%	1
C023	065G060310422K Y	9JR6500000166	CAP CHIP 0603 100N 25V X7R +/-10%	1
C024	065G060310422K Y	9JR6500000166	CAP CHIP 0603 100N 25V X7R +/-10%	1
SW022	077G 607 2 FD	9JR7700000003	TACT SW BY FORWARD SFKQGMA2125T-PL	1
SW021	077G 607 2 FD	9JR7700000003	TACT SW BY FORWARD SFKQGMA2125T-PL	1
SW020	077G 607 2 FD	9JR7700000003	TACT SW BY FORWARD SFKQGMA2125T-PL	1
SW019	077G 607 2 FD	9JR7700000003	TACT SW BY FORWARD SFKQGMA2125T-PL	1
SW018	077G 607 2 FD	9JR7700000003	TACT SW BY FORWARD SFKQGMA2125T-PL	1
SW017	077G 607 2 FD	9JR7700000003	TACT SW BY FORWARD SFKQGMA2125T-PL	1
SW016	077G 607 2 FD	9JR7700000003	TACT SW BY FORWARD SFKQGMA2125T-PL	1
<b>1112</b>	<b>IRPF9PB2</b>	<b>9JR9900000024</b>	<b>IR PCB ASSY</b>	
CN001	033G8032 5F X	9JR3300000036	WAFER 5P 1.25MM S1315-05RVB-S01-K	1
Q001	057G 419513	9JR5700000002	BC847C	1
Q002	057G 419513	9JR5700000002	BC847C	1
R006	061G0603101 T	9JR6100000285	RST CHIP 100R 1/10W 5%	1
R001	061G0603102 T	9JR6100000286	RST CHIP 1K 1/10W 5%	1

LC-19S7E-BK LC-26S7E-BK LC-32S7E-BK

R007	061G0603103 T	9JR6100000287	RST CHIP 10K 1/10W 5%	1
R008	061G0603103 T	9JR6100000287	RST CHIP 10K 1/10W 5%	1
R002	061G0603221 T	9JR6100000288	RST CHIP 220R 1/10W 5%	1
R004	061G0603222 T	9JR6100000289	RST CHIP 2K2 1/10W 5%	1
R003	061G0603222 T	9JR6100000289	RST CHIP 2K2 1/10W 5%	1
R005	061G0603272 T	9JR6100000290	RST CHIP 2K7 1/10W 5%	1
C003	065G060310437Z Y	9JR6500000164	CAP CHIP 0603 100N 50V Y5V -20%+80%	1
C001	065G0603105A7Z Y	9JR6500000165	CAP CHIP 0603 1U 10V Y5V -20%+80%	1
LED001	081T 14908 KB	9JR8100000001	LED SM KPB-3025SURKCGKC	1

## SPARE PARTS LIST (LC-26S7E-BK)

Item	Component number	SHARP code	Description	Qty
1185	078G0050905 M	9JR7800000006	Speaker+wire assembly 16ohm/5w 135X41mm	1
1172	089G204A15NLS1	9JR8900000009	POWER CORD 1.5M PE8C5Z1B90A-04B	1
1177	092TB1JX1A3WGM	9JR9200000003	BATTERY FOR ALL EXPORT MODE LR03	2
8806	095G801411F907	9JR9500000048	HARNESS 7P+4P-5P+4P 280mm+640mm 75373-HF	1
8808	095G801412F928	9JR9500000049	HARNESS 12P-12P 130mm 75372-HF	1
8807	095G801414F929	9JR9500000050	HARNESS 14P-13P 160mm 75371-HF	1
8803	095G8018 30974 FP	9JR9500000051	HARNESS 30P-15*2P 260mm 75370-HF	1
1176	098GRABD1NESPJ	9JR9800000003	REMOTE CONTROL RC-GJ2100B-H FOR SHARP	1
23	0G1T1030 10 47	9JR0100000029	PAN HEAD WITH WASHER	1
97	0M1G 340 6 47 CR3	9JR0100000030	SCREW	1
87	0M1T 330 6 47 CR3	9JR0100000001	SCREW	1
100	0M1T 330 6 47 CR3	9JR0100000001	SCREW	1
94	0M1T1140 6120	9JR0100000003	SCREW 4*6MM	8
95	0M1T1730 8106 CR3	9JR0100000019	SCREW	10
98	0M1T1740 12 47	9JR0100000031	SCREW M4X12	2
63	0Q1T 130 8120	9JR0100000012	SCREW	2
99	0Q1T 930 8 47 CR3	9JR0100000007	SCREW	2
80	705GZ915023	9JR7050000052	BRACKET_SIDE_IO_ASSY	1
	705GZ915026	9JR7050000053	BRACKET_BASE RUBBER FOOT ASSY	1
30	705GZ934138	9JR7050000054	BEZEL ASSY	1
40	705GZ934140	9JR7050000055	REAR COVER ASSY	1
50	705GZ934141	9JR7050000056	STAND ASSY	1
135	705GZ941055	9JR7050000057	DFU ASSY	1
136	705GZ941056	9JR7050000058	DFU ASSY	1
1050	750TVM260B2111N0SP	9JR7500000015	PANEL V260B2-L01 26" CMO TW	1
61	A33T0536PAAA1T0100	9JR3300000042	KEY COVER	1
62	A33T0537PAA 1T0100	9JR3300000043	KEY PAD	1
1054	ADTV92407PA1	9JR9900000027	POWER PCB ASSY	1
1053	CBPF93KBP6	9JR9900000028	MAIN PCB ASSY	1
1112	IRPF9PB4	9JR9900000029	IR PCB ASSY	1
1114	KEPF9PA8	9JR9900000030	KEY PCB ASSY	1
102	N02T6008 1	9JR0200000001	SCREW	2
96	P01G0020 1	9JR0100000032	SCREW(k40x16L)	14
22	P01T0006 1	9JR0100000028	SCREW (PH+W6#x15 HI-LO W=13)	4
71	P15T0570101	9JR1500000020	BRACKET_PANEL_SUPPORT	2
72	P15T0571101	9JR1500000021	BRACKET_TOP	1
91	P15T0572101	9JR1500000022	BRACKET_SIDE	1
73	P15T0573101	9JR1500000023	BRACKET_BTM	1
21	P34T0377PAA 1T0100	9JR3400000007	NECK	1
126	P40G 260843 3A	9JR4000000038	RATING LABEL	1
130	P40G000184314A	9JR4000000039	CARTON LABEL	1
127	P40TA00081328A	9JR4000000004	FAMILY SHEET- SERVICE	1
513	P40TD000813 9A	9JR4000000005	family sheet	1
516	P40TD00081311A	9JR4000000006	FAMILY SHEET	1
131	P40TN00084357A	9JR4000000022	ITALIAN CAUTION LABEL	1
451	P44GE015101	9JR4400000029	CUSHION_TL	1
452	P44GE015201	9JR4400000030	CUSHION_TR	1
453	P44GE015301	9JR4400000031	CUSHION_BL	1
454	P44GE015401	9JR4400000032	CUSHION_BR	1
450	P44GE015843 1A	9JR4400000033	CARTON	1
455	P45T 46025	9JR4500000007	PE BAG(800X650-0.72mm)	1
500	P45T 77001	9JR4500000004	LLDPE WRAP	2

300	P45T 77512001	9JR4500000005	INK CARTRIDGE-EP-T	1
101	P52T 58013	9JR5200000007	ACETATE TAPE	1
90	P85T0109101	9JR8500000005	SHIELDING_ATV	1
92	Q11T5005 1	9JR1100000003	WIRE SADDLE	1
<b>1053</b>	<b>CBPF93KBP6</b>	<b>9JR9900000028</b>	<b>MAIN PCB ASSY</b>	
C1109	065T040247312K 3	9JR6500000125	CHIP CAP 47N 16V X7R 10%	1
C1111	065T040222031J Y	9JR6500000019	CAP CHIP 0402 22P 50V NPO +/-5%	1
C1112	065T040210412K Y	9JR6500000014	CAP CHIP 0402 100N 16V X7R +/-10%	1
C1113	065T040210412K Y	9JR6500000014	CAP CHIP 0402 100N 16V X7R +/-10%	1
C1114	065T040247312K 3	9JR6500000125	CHIP CAP 47N 16V X7R 10%	1
C1116	065T0805106A5K 3	9JR6500000148	CHIP 10uF 10V X5R 10%	1
C1121	065T0805106A5K 3	9JR6500000148	CHIP 10uF 10V X5R 10%	1
C1122	065T040210312K Y	9JR6500000011	CAP CHIP 0402 10N 16V X7R +/-10%	1
C1123	065T0805106A5K 3	9JR6500000148	CHIP 10uF 10V X5R 10%	1
C1124	065T040210312K Y	9JR6500000011	CAP CHIP 0402 10N 16V X7R +/-10%	1
C1127	065G040247031J Y	9JR6500000203	CAP CHIP 0402 47pF 50V NPO +/-5%	1
C1128	065G040247031J Y	9JR6500000203	CAP CHIP 0402 47pF 50V NPO +/-5%	1
C1204	065T040247312K 3	9JR6500000125	CHIP CAP 47N 16V X7R 10%	1
C1205	065T040247312K 3	9JR6500000125	CHIP CAP 47N 16V X7R 10%	1
C1206	065T040247312K 3	9JR6500000125	CHIP CAP 47N 16V X7R 10%	1
C1207	065T040210232K Y	9JR6500000009	CAP CHIP 0402 1N 50V X7R +/-10%	1
C1211	065T040247312K 3	9JR6500000125	CHIP CAP 47N 16V X7R 10%	1
C1212	065T040247312K 3	9JR6500000125	CHIP CAP 47N 16V X7R 10%	1
C1213	065T040247312K 3	9JR6500000125	CHIP CAP 47N 16V X7R 10%	1
C1214	065T040210232K Y	9JR6500000009	CAP CHIP 0402 1N 50V X7R +/-10%	1
C1215	065T040210412K Y	9JR6500000014	CAP CHIP 0402 100N 16V X7R +/-10%	1
C1216	065T040210412K Y	9JR6500000014	CAP CHIP 0402 100N 16V X7R +/-10%	1
C1217	065T040210412K Y	9JR6500000014	CAP CHIP 0402 100N 16V X7R +/-10%	1
C1218	065T040210412K Y	9JR6500000014	CAP CHIP 0402 100N 16V X7R +/-10%	1
C1219	065T040210412K Y	9JR6500000014	CAP CHIP 0402 100N 16V X7R +/-10%	1
C1220	065T040210412K Y	9JR6500000014	CAP CHIP 0402 100N 16V X7R +/-10%	1
C1221	065G040247031J Y	9JR6500000203	CAP CHIP 0402 47pF 50V NPO +/-5%	1
C1223	065T040247312K 3	9JR6500000125	CHIP CAP 47N 16V X7R 10%	1
C1224	065T040210131J Y	9JR6500000007	CAP CHIP 0402 100P 50V NPO +/-5%	1
C1225	065T060368232K Y	9JR6500000142	CAP CHIP 0603 6800PF K 50V X7R	1
C1226	065T060368232K Y	9JR6500000142	CAP CHIP 0603 6800PF K 50V X7R	1
C1227	065T040210412K Y	9JR6500000014	CAP CHIP 0402 100N 16V X7R +/-10%	1
C1228	065T0805106A5K 3	9JR6500000148	CHIP 10uF 10V X5R 10%	1
C1229	067G215D4713KT	9JR6700000109	105°C EC 470UF M 16V KINGNICH	1
C1230	065G040247031J Y	9JR6500000203	CAP CHIP 0402 47pF 50V NPO +/-5%	1
C1231	065G040222232K Y	9JR6500000201	CAP CHIP 0402 2N2 50V X7R +/-10%	1
C1232	065G040222232K Y	9JR6500000201	CAP CHIP 0402 2N2 50V X7R +/-10%	1
C1233	065T0603105A7Z Y	9JR6500000046	CAP CHIP 0603 1U 10V Y5V -20%+80%	1
C1234	065T0603105A7Z Y	9JR6500000046	CAP CHIP 0603 1U 10V Y5V -20%+80%	1
C1235	065T040233132K Y	9JR6500000122	CAP CHIP 0402 330P 50V X7R +/-10%	1
C1236	065T040233132K Y	9JR6500000122	CAP CHIP 0402 330P 50V X7R +/-10%	1
C1237	065T080510522K Y	9JR6500000215	CAP CHIP 0805 1UF K 25V X7R	1
C1238	065T080510522K Y	9JR6500000215	CAP CHIP 0805 1UF K 25V X7R	1
C1239	065T040210412K Y	9JR6500000014	CAP CHIP 0402 100N 16V X7R +/-10%	1
C1240	065T040210412K Y	9JR6500000014	CAP CHIP 0402 100N 16V X7R +/-10%	1
C1241	067T215Y2212CT	9JR6700000113	EC 220uF 10V GL 6.3x11mm	1
C1242	065T040233031J Y	9JR6500000021	CAP CHIP 0402 33P 50V NPO +/-5%	1

C1243	065T040233031J Y	9JR6500000021	CAP CHIP 0402 33P 50V NPO +/-5%	1
C1244	065T060322517Z 3	9JR6500000212	CAP CHIP 0603 2U2 16V Y5V -20%+80%	1
C1245	065T060322517Z 3	9JR6500000212	CAP CHIP 0603 2U2 16V Y5V -20%+80%	1
C1246	065T040210312K Y	9JR6500000011	CAP CHIP 0402 10N 16V X7R +/-10%	1
C1247	065T040210312K Y	9JR6500000011	CAP CHIP 0402 10N 16V X7R +/-10%	1
C1248	065G040247031J Y	9JR6500000203	CAP CHIP 0402 47pF 50V NPO +/-5%	1
C1249	065G040247031J Y	9JR6500000203	CAP CHIP 0402 47pF 50V NPO +/-5%	1
C1254	065T040247312K 3	9JR6500000125	CHIP CAP 47N 16V X7R 10%	1
C1255	065G040247031J Y	9JR6500000203	CAP CHIP 0402 47pF 50V NPO +/-5%	1
C1256	065T040247312K 3	9JR6500000125	CHIP CAP 47N 16V X7R 10%	1
C1257	065T0805106A5K 3	9JR6500000148	CHIP 10uF 10V X5R 10%	1
C1259	065T040210412K Y	9JR6500000014	CAP CHIP 0402 100N 16V X7R +/-10%	1
C1260	065T040210412K Y	9JR6500000014	CAP CHIP 0402 100N 16V X7R +/-10%	1
C1401	065T040210412K Y	9JR6500000014	CAP CHIP 0402 100N 16V X7R +/-10%	1
C1402	065T040233031J Y	9JR6500000021	CAP CHIP 0402 33P 50V NPO +/-5%	1
C1403	065T040233031J Y	9JR6500000021	CAP CHIP 0402 33P 50V NPO +/-5%	1
C1405	065T040210412K Y	9JR6500000014	CAP CHIP 0402 100N 16V X7R +/-10%	1
C1406	065T040247312K 3	9JR6500000125	CHIP CAP 47N 16V X7R 10%	1
C1407	065T040247312K 3	9JR6500000125	CHIP CAP 47N 16V X7R 10%	1
C1408	065T040247312K 3	9JR6500000125	CHIP CAP 47N 16V X7R 10%	1
C1409	065G040210232K Y	9JR6500000225	CAP CHIP 0402 1N 50V X7R +/-10%	1
C1410	065T040210412K Y	9JR6500000014	CAP CHIP 0402 100N 16V X7R +/-10%	1
C1411	065T040210412K Y	9JR6500000014	CAP CHIP 0402 100N 16V X7R +/-10%	1
C1412	065T040210412K Y	9JR6500000014	CAP CHIP 0402 100N 16V X7R +/-10%	1
C1509	065T0805106A5K 3	9JR6500000148	CHIP 10uF 10V X5R 10%	1
C1510	065T040210412K Y	9JR6500000014	CAP CHIP 0402 100N 16V X7R +/-10%	1
C1511	065T040210412K Y	9JR6500000014	CAP CHIP 0402 100N 16V X7R +/-10%	1
C1512	065T040210412K Y	9JR6500000014	CAP CHIP 0402 100N 16V X7R +/-10%	1
C1513	065T040210412K Y	9JR6500000014	CAP CHIP 0402 100N 16V X7R +/-10%	1
C1514	065T040210412K Y	9JR6500000014	CAP CHIP 0402 100N 16V X7R +/-10%	1
C1515	065T040210412K Y	9JR6500000014	CAP CHIP 0402 100N 16V X7R +/-10%	1
C1516	065T040210412K Y	9JR6500000014	CAP CHIP 0402 100N 16V X7R +/-10%	1
C1517	065T040210412K Y	9JR6500000014	CAP CHIP 0402 100N 16V X7R +/-10%	1
C1518	065T040210412K Y	9JR6500000014	CAP CHIP 0402 100N 16V X7R +/-10%	1
C1519	065T040210412K Y	9JR6500000014	CAP CHIP 0402 100N 16V X7R +/-10%	1
C1520	065T040210412K Y	9JR6500000014	CAP CHIP 0402 100N 16V X7R +/-10%	1
C1521	065T040210412K Y	9JR6500000014	CAP CHIP 0402 100N 16V X7R +/-10%	1
C1522	065T040210412K Y	9JR6500000014	CAP CHIP 0402 100N 16V X7R +/-10%	1
C1526	065T040210131J Y	9JR6500000007	CAP CHIP 0402 100P 50V NPO +/-5%	1
C1527	065T040210412K Y	9JR6500000014	CAP CHIP 0402 100N 16V X7R +/-10%	1
C1528	065T040210412K Y	9JR6500000014	CAP CHIP 0402 100N 16V X7R +/-10%	1
C1529	065T040210131J Y	9JR6500000007	CAP CHIP 0402 100P 50V NPO +/-5%	1
C1701	065T040222031J Y	9JR6500000019	CAP CHIP 0402 22P 50V NPO +/-5%	1
C1702	065T080556131J Y	9JR6500000218	CAP CHIP 0805 560PF J 50V NPO	1
C1703	065T0603105A7Z Y	9JR6500000046	CAP CHIP 0603 1U 10V Y5V -20%+80%	1
C1704	065T040222031J Y	9JR6500000019	CAP CHIP 0402 22P 50V NPO +/-5%	1
C1705	065T080556131J Y	9JR6500000218	CAP CHIP 0805 560PF J 50V NPO	1
C1706	065T0603105A7Z Y	9JR6500000046	CAP CHIP 0603 1U 10V Y5V -20%+80%	1
C1707	065T040222031J Y	9JR6500000019	CAP CHIP 0402 22P 50V NPO +/-5%	1
C1708	065G040256132K Y	9JR6500000226	CAP CHIP 0402 560P 50V X7R +/-10%	1
C1709	065T060322517Z 3	9JR6500000212	CAP CHIP 0603 2U2 16V Y5V -20%+80%	1
C1710	065T040222031J Y	9JR6500000019	CAP CHIP 0402 22P 50V NPO +/-5%	1
C1711	065G040256132K Y	9JR6500000226	CAP CHIP 0402 560P 50V X7R +/-10%	1

C1712	065T060322517Z 3	9JR6500000212	CAP CHIP 0603 2U2 16V Y5V -20%+80%	1
C1713	065T040222031J Y	9JR6500000019	CAP CHIP 0402 22P 50V NPO +/-5%	1
C1714	065T080556131J Y	9JR6500000218	CAP CHIP 0805 560PF J 50V NPO	1
C1715	065T0603105A7Z Y	9JR6500000046	CAP CHIP 0603 1U 10V Y5V -20%+80%	1
C1716	065T040222031J Y	9JR6500000019	CAP CHIP 0402 22P 50V NPO +/-5%	1
C1717	065T080556131J Y	9JR6500000218	CAP CHIP 0805 560PF J 50V NPO	1
C1718	065T0603105A7Z Y	9JR6500000046	CAP CHIP 0603 1U 10V Y5V -20%+80%	1
C1719	065T040222031J Y	9JR6500000019	CAP CHIP 0402 22P 50V NPO +/-5%	1
C1720	065T080556131J Y	9JR6500000218	CAP CHIP 0805 560PF J 50V NPO	1
C1721	065T0603105A7Z Y	9JR6500000046	CAP CHIP 0603 1U 10V Y5V -20%+80%	1
C1722	065T040222031J Y	9JR6500000019	CAP CHIP 0402 22P 50V NPO +/-5%	1
C1723	065T080556131J Y	9JR6500000218	CAP CHIP 0805 560PF J 50V NPO	1
C1724	065T0603105A7Z Y	9JR6500000046	CAP CHIP 0603 1U 10V Y5V -20%+80%	1
C1737	065T040222031J Y	9JR6500000019	CAP CHIP 0402 22P 50V NPO +/-5%	1
C1738	065T040222031J Y	9JR6500000019	CAP CHIP 0402 22P 50V NPO +/-5%	1
C1741	065T0805106A5K 3	9JR6500000148	CHIP 10uF 10V X5R 10%	1
C1742	065T040210412K Y	9JR6500000014	CAP CHIP 0402 100N 16V X7R +/-10%	1
C1743	065T0805106A5K 3	9JR6500000148	CHIP 10uF 10V X5R 10%	1
C1747	065T0603105A7Z Y	9JR6500000046	CAP CHIP 0603 1U 10V Y5V -20%+80%	1
C1748	065T0603105A7Z Y	9JR6500000046	CAP CHIP 0603 1U 10V Y5V -20%+80%	1
C1749	065T0603105A7Z Y	9JR6500000046	CAP CHIP 0603 1U 10V Y5V -20%+80%	1
C1750	065T0603105A7Z Y	9JR6500000046	CAP CHIP 0603 1U 10V Y5V -20%+80%	1
C1752	065G040256132K Y	9JR6500000226	CAP CHIP 0402 560P 50V X7R +/-10%	1
C1753	065G040256132K Y	9JR6500000226	CAP CHIP 0402 560P 50V X7R +/-10%	1
C1801	065T040210412K Y	9JR6500000014	CAP CHIP 0402 100N 16V X7R +/-10%	1
C1802	065T040210412K Y	9JR6500000014	CAP CHIP 0402 100N 16V X7R +/-10%	1
C1803	067T 3051012ET	9JR6700000097	EC 100uF 10V RGA 5x11mm	1
C1805	065T0805106A5K 3	9JR6500000148	CHIP 10uF 10V X5R 10%	1
C1806	065T040210412K Y	9JR6500000014	CAP CHIP 0402 100N 16V X7R +/-10%	1
C1807	065T040210412K Y	9JR6500000014	CAP CHIP 0402 100N 16V X7R +/-10%	1
C1808	065T060347931C Y	9JR6500000214	CAP CHIP 0603 4P7 50V NPO +/-0.25p	1
C1809	065T060347931C Y	9JR6500000214	CAP CHIP 0603 4P7 50V NPO +/-0.25p	1
C1811	067T 3051012ET	9JR6700000097	EC 100uF 10V RGA 5x11mm	1
C1901	065G040247031J Y	9JR6500000203	CAP CHIP 0402 47pF 50V NPO +/-5%	1
C1902	065G040247031J Y	9JR6500000203	CAP CHIP 0402 47pF 50V NPO +/-5%	1
C1908	065T040247312K 3	9JR6500000125	CHIP CAP 47N 16V X7R 10%	1
C1912	065T040210412K Y	9JR6500000014	CAP CHIP 0402 100N 16V X7R +/-10%	1
C1913	065G040247031J Y	9JR6500000203	CAP CHIP 0402 47pF 50V NPO +/-5%	1
C1915	067T 3051007ET	9JR6700000006	EC 10uF 50V RGA 5x11 mm	1
C1916	065T040210412K Y	9JR6500000014	CAP CHIP 0402 100N 16V X7R +/-10%	1
C1917	065T0805106A5K 3	9JR6500000148	CHIP 10uF 10V X5R 10%	1
C1918	065T060322517Z 3	9JR6500000212	CAP CHIP 0603 2U2 16V Y5V -20%+80%	1
C1919	065T060322517Z 3	9JR6500000212	CAP CHIP 0603 2U2 16V Y5V -20%+80%	1
C1920	067T215Y2212CT	9JR6700000113	EC 220uF 10V GL 6.3x11mm	1
C1921	065T040210412K Y	9JR6500000014	CAP CHIP 0402 100N 16V X7R +/-10%	1
C1922	065T040210412K Y	9JR6500000014	CAP CHIP 0402 100N 16V X7R +/-10%	1
C1923	065T040233031J Y	9JR6500000021	CAP CHIP 0402 33P 50V NPO +/-5%	1
C1924	065T040233031J Y	9JR6500000021	CAP CHIP 0402 33P 50V NPO +/-5%	1
C1925	065T080510522K Y	9JR6500000215	CAP CHIP 0805 1UF K 25V X7R	1
C1926	065T080510522K Y	9JR6500000215	CAP CHIP 0805 1UF K 25V X7R	1
C1927	065T040233132K Y	9JR6500000122	CAP CHIP 0402 330P 50V X7R +/-10%	1
C1928	065T040233132K Y	9JR6500000122	CAP CHIP 0402 330P 50V X7R +/-10%	1
C1929	065T0603105A7Z Y	9JR6500000046	CAP CHIP 0603 1U 10V Y5V -20%+80%	1

C1930	065T0603105A7Z Y	9JR6500000046	CAP CHIP 0603 1U 10V Y5V -20%+80%	1
C1931	065G040222232K Y	9JR6500000201	CAP CHIP 0402 2N2 50V X7R +/-10%	1
C1932	065G040222232K Y	9JR6500000201	CAP CHIP 0402 2N2 50V X7R +/-10%	1
C1948	065G040247031J Y	9JR6500000203	CAP CHIP 0402 47pF 50V NPO +/-5%	1
C1949	065G040247031J Y	9JR6500000203	CAP CHIP 0402 47pF 50V NPO +/-5%	1
C1951	065T040210412K Y	9JR6500000014	CAP CHIP 0402 100N 16V X7R +/-10%	1
C1952	065T040210412K Y	9JR6500000014	CAP CHIP 0402 100N 16V X7R +/-10%	1
C1953	065T040210412K Y	9JR6500000014	CAP CHIP 0402 100N 16V X7R +/-10%	1
C1955	065T040210312K Y	9JR6500000011	CAP CHIP 0402 10N 16V X7R +/-10%	1
C1962	065T040210312K Y	9JR6500000011	CAP CHIP 0402 10N 16V X7R +/-10%	1
C1963	065G040247031J Y	9JR6500000203	CAP CHIP 0402 47pF 50V NPO +/-5%	1
C1966	065T040210412K Y	9JR6500000014	CAP CHIP 0402 100N 16V X7R +/-10%	1
C4101	065T0805106A5K 3	9JR6500000148	CHIP 10uF 10V X5R 10%	1
C4102	065T040210412K Y	9JR6500000014	CAP CHIP 0402 100N 16V X7R +/-10%	1
C4103	065T040222031J Y	9JR6500000019	CAP CHIP 0402 22P 50V NPO +/-5%	1
C4104	065T040222031J Y	9JR6500000019	CAP CHIP 0402 22P 50V NPO +/-5%	1
C4105	065T040222031J Y	9JR6500000019	CAP CHIP 0402 22P 50V NPO +/-5%	1
C4106	065T040210131J Y	9JR6500000007	CAP CHIP 0402 100P 50V NPO +/-5%	1
C4108	065T040210412K Y	9JR6500000014	CAP CHIP 0402 100N 16V X7R +/-10%	1
C4201	065T120610612K 3	9JR6500000098	CHIP 10uF 16V X7R 10%	1
C4202	065T040210412K Y	9JR6500000014	CAP CHIP 0402 100N 16V X7R +/-10%	1
C4203	065T040210412K Y	9JR6500000014	CAP CHIP 0402 100N 16V X7R +/-10%	1
C4204	065T040210412K Y	9JR6500000014	CAP CHIP 0402 100N 16V X7R +/-10%	1
C4205	065T040210412K Y	9JR6500000014	CAP CHIP 0402 100N 16V X7R +/-10%	1
C4206	065T120610612K 3	9JR6500000098	CHIP 10uF 16V X7R 10%	1
C4207	065T040210412K Y	9JR6500000014	CAP CHIP 0402 100N 16V X7R +/-10%	1
C4208	065T120610612K 3	9JR6500000098	CHIP 10uF 16V X7R 10%	1
C4209	065T040210412K Y	9JR6500000014	CAP CHIP 0402 100N 16V X7R +/-10%	1
C4210	065T040210412K Y	9JR6500000014	CAP CHIP 0402 100N 16V X7R +/-10%	1
C4211	065T040210412K Y	9JR6500000014	CAP CHIP 0402 100N 16V X7R +/-10%	1
C4212	065T040210412K Y	9JR6500000014	CAP CHIP 0402 100N 16V X7R +/-10%	1
C4213	065T040210412K Y	9JR6500000014	CAP CHIP 0402 100N 16V X7R +/-10%	1
C4214	065T040210412K Y	9JR6500000014	CAP CHIP 0402 100N 16V X7R +/-10%	1
C4215	065T040210412K Y	9JR6500000014	CAP CHIP 0402 100N 16V X7R +/-10%	1
C4216	065T120610612K 3	9JR6500000098	CHIP 10uF 16V X7R 10%	1
C4217	065T040210412K Y	9JR6500000014	CAP CHIP 0402 100N 16V X7R +/-10%	1
C4218	065T040210412K Y	9JR6500000014	CAP CHIP 0402 100N 16V X7R +/-10%	1
C4219	065T040210412K Y	9JR6500000014	CAP CHIP 0402 100N 16V X7R +/-10%	1
C4220	065T040210412K Y	9JR6500000014	CAP CHIP 0402 100N 16V X7R +/-10%	1
C4221	065T040210412K Y	9JR6500000014	CAP CHIP 0402 100N 16V X7R +/-10%	1
C4222	065T120610612K 3	9JR6500000098	CHIP 10uF 16V X7R 10%	1
C4223	065T040210412K Y	9JR6500000014	CAP CHIP 0402 100N 16V X7R +/-10%	1
C4224	065T120610612K 3	9JR6500000098	CHIP 10uF 16V X7R 10%	1
C4225	065T040210412K Y	9JR6500000014	CAP CHIP 0402 100N 16V X7R +/-10%	1
C4226	065T120610612K 3	9JR6500000098	CHIP 10uF 16V X7R 10%	1
C4227	065T040210412K Y	9JR6500000014	CAP CHIP 0402 100N 16V X7R +/-10%	1
C4228	065T120610612K 3	9JR6500000098	CHIP 10uF 16V X7R 10%	1
C4229	065T040210412K Y	9JR6500000014	CAP CHIP 0402 100N 16V X7R +/-10%	1
C4230	065T040210131J Y	9JR6500000007	CAP CHIP 0402 100P 50V NPO +/-5%	1
C4231	065T0805106A5K 3	9JR6500000148	CHIP 10uF 10V X5R 10%	1
C4232	065T040210412K Y	9JR6500000014	CAP CHIP 0402 100N 16V X7R +/-10%	1
C4233	065T040210131J Y	9JR6500000007	CAP CHIP 0402 100P 50V NPO +/-5%	1
C4234	065T120610612K 3	9JR6500000098	CHIP 10uF 16V X7R 10%	1

C4235	065T040210412K Y	9JR6500000014	CAP CHIP 0402 100N 16V X7R +/-10%	1
C4236	065T040210131J Y	9JR6500000007	CAP CHIP 0402 100P 50V NPO +/-5%	1
C4237	065T0805106A5K 3	9JR6500000148	CHIP 10uF 10V X5R 10%	1
C4238	065T040210412K Y	9JR6500000014	CAP CHIP 0402 100N 16V X7R +/-10%	1
C4239	065T040210412K Y	9JR6500000014	CAP CHIP 0402 100N 16V X7R +/-10%	1
C4240	065T040210412K Y	9JR6500000014	CAP CHIP 0402 100N 16V X7R +/-10%	1
C4241	065T040210412K Y	9JR6500000014	CAP CHIP 0402 100N 16V X7R +/-10%	1
C4242	065T040210412K Y	9JR6500000014	CAP CHIP 0402 100N 16V X7R +/-10%	1
C4243	065T040210412K Y	9JR6500000014	CAP CHIP 0402 100N 16V X7R +/-10%	1
C4244	065T040210412K Y	9JR6500000014	CAP CHIP 0402 100N 16V X7R +/-10%	1
C4245	065T040210232K Y	9JR6500000009	CAP CHIP 0402 1N 50V X7R +/-10%	1
C4246	065T040210412K Y	9JR6500000014	CAP CHIP 0402 100N 16V X7R +/-10%	1
C4248	065T060327031J Y	9JR6500000213	CAP CHIP 0603 27PF J 50V NPO	1
C4249	065T060327031J Y	9JR6500000213	CAP CHIP 0603 27PF J 50V NPO	1
C4250	065T040210412K Y	9JR6500000014	CAP CHIP 0402 100N 16V X7R +/-10%	1
C4251	065T040210412K Y	9JR6500000014	CAP CHIP 0402 100N 16V X7R +/-10%	1
C4252	065T040210412K Y	9JR6500000014	CAP CHIP 0402 100N 16V X7R +/-10%	1
C4254	065T040210412K Y	9JR6500000014	CAP CHIP 0402 100N 16V X7R +/-10%	1
C4255	065T040210412K Y	9JR6500000014	CAP CHIP 0402 100N 16V X7R +/-10%	1
C4256	065T040210412K Y	9JR6500000014	CAP CHIP 0402 100N 16V X7R +/-10%	1
C4258	065T040210412K Y	9JR6500000014	CAP CHIP 0402 100N 16V X7R +/-10%	1
C4259	065T040210412K Y	9JR6500000014	CAP CHIP 0402 100N 16V X7R +/-10%	1
C4260	065T040210412K Y	9JR6500000014	CAP CHIP 0402 100N 16V X7R +/-10%	1
C4261	065T0805106A5K 3	9JR6500000148	CHIP 10uF 10V X5R 10%	1
C4262	065T0603105A7Z Y	9JR6500000046	CAP CHIP 0603 1U 10V Y5V -20%+80%	1
C4263	065G0805475A2K 3	9JR6500000207	CAP CHIP 4.7UF 10V X7R +/- 10%	1
C4271	065T040210412K Y	9JR6500000014	CAP CHIP 0402 100N 16V X7R +/-10%	1
C4401	065T120610612K 3	9JR6500000098	CHIP 10uF 16V X7R 10%	1
C4402	065T040210412K Y	9JR6500000014	CAP CHIP 0402 100N 16V X7R +/-10%	1
C4403	065T040210412K Y	9JR6500000014	CAP CHIP 0402 100N 16V X7R +/-10%	1
C4404	065T040210412K Y	9JR6500000014	CAP CHIP 0402 100N 16V X7R +/-10%	1
C4405	065T040210412K Y	9JR6500000014	CAP CHIP 0402 100N 16V X7R +/-10%	1
C4406	065T040210412K Y	9JR6500000014	CAP CHIP 0402 100N 16V X7R +/-10%	1
C4407	065T040210412K Y	9JR6500000014	CAP CHIP 0402 100N 16V X7R +/-10%	1
C4408	065T040210412K Y	9JR6500000014	CAP CHIP 0402 100N 16V X7R +/-10%	1
C4409	065T040210412K Y	9JR6500000014	CAP CHIP 0402 100N 16V X7R +/-10%	1
C4410	065T040210412K Y	9JR6500000014	CAP CHIP 0402 100N 16V X7R +/-10%	1
C4411	065T040210232K Y	9JR6500000009	CAP CHIP 0402 1N 50V X7R +/-10%	1
C4412	065T040210412K Y	9JR6500000014	CAP CHIP 0402 100N 16V X7R +/-10%	1
C4413	065T040210412K Y	9JR6500000014	CAP CHIP 0402 100N 16V X7R +/-10%	1
C4414	065T040210412K Y	9JR6500000014	CAP CHIP 0402 100N 16V X7R +/-10%	1
C4415	065G0805475A2K 3	9JR6500000207	CAP CHIP 4.7UF 10V X7R +/- 10%	1
C4416	065T040210312K Y	9JR6500000011	CAP CHIP 0402 10N 16V X7R +/-10%	1
C4417	065T040210312K Y	9JR6500000011	CAP CHIP 0402 10N 16V X7R +/-10%	1
C4418	065G0805475A2K 3	9JR6500000207	CAP CHIP 4.7UF 10V X7R +/- 10%	1
C6101	065T080547437Z Y	9JR6500000091	CAP CHIP 0805 0.47UF Z 50V Y5V	1
C6102	065T060310437Z Y	9JR6500000038	CAP CHIP 0603 0.1UF Z 50V Y5V	1
C6103	067G 315220 7K	9JR6700000118	EC CAP 105 度 22UF M 50V ELITE	1
C6104	065T040210312K Y	9JR6500000011	CAP CHIP 0402 10N 16V X7R +/-10%	1
C6105	065T040210312K Y	9JR6500000011	CAP CHIP 0402 10N 16V X7R +/-10%	1
C6106	065T080522512K 3	9JR6500000216	CAP CHIP 0805 2U2 16V X7R +/-10%	1
C6107	065T080522512K 3	9JR6500000216	CAP CHIP 0805 2U2 16V X7R +/-10%	1
C6108	065T040233132K Y	9JR6500000122	CAP CHIP 0402 330P 50V X7R +/-10%	1



C6109	065T040233132K Y	9JR650000122	CAP CHIP 0402 330P 50V X7R +/-10%	1
C6110	065T080510522K Y	9JR650000215	CAP CHIP 0805 1UF K 25V X7R	1
C6111	065T080510522K Y	9JR650000215	CAP CHIP 0805 1UF K 25V X7R	1
C6112	065T040233031J Y	9JR650000021	CAP CHIP 0402 33P 50V NPO +/-5%	1
C6113	065T040233031J Y	9JR650000021	CAP CHIP 0402 33P 50V NPO +/-5%	1
C6114	065T040210412K Y	9JR650000014	CAP CHIP 0402 100N 16V X7R +/-10%	1
C6115	065T040210412K Y	9JR650000014	CAP CHIP 0402 100N 16V X7R +/-10%	1
C6116	067T215Y2212CT	9JR670000113	EC 220uF 10V GL 6.3x11mm	1
C6117	065G060310512K 3	9JR650000204	MLCC 0603 CAP 1uF K 16V X7R	1
C6118	065G060310512K 3	9JR650000204	MLCC 0603 CAP 1uF K 16V X7R	1
C6119	065T080510522K Y	9JR650000215	CAP CHIP 0805 1UF K 25V X7R	1
C6120	065T080510522K Y	9JR650000215	CAP CHIP 0805 1UF K 25V X7R	1
C6121	067T 3054716ET	9JR6700000111	EC 470uF 35V RGA 10x16mm	1
C6122	067T 305471 7C	9JR6700000065	EC 470uF 50V KM 10x20mm	1
C6123	065T080510432K Y	9JR650000071	CAP CHIP 0805 0.1UF K 50V X7R	1
C6124	065T080510432K Y	9JR650000071	CAP CHIP 0805 0.1UF K 50V X7R	1
C6125	065T060322422K 3	9JR650000211	CAP CHIP 0603 220N 25V X7R +/-10%	1
C6126	065T060322422K 3	9JR650000211	CAP CHIP 0603 220N 25V X7R +/-10%	1
C6127	067T 2154714CT	9JR6700000110	EC 470uF 25V GF 10x12mm	1
C6128	065T080510432K Y	9JR650000071	CAP CHIP 0805 0.1UF K 50V X7R	1
C6129	067T 5154707CT	9JR6700000112	EC 47UF 50V GF 6.3*11mm	1
C6130	067T 2154714CT	9JR6700000110	EC 470uF 25V GF 10x12mm	1
C6132	065T040210312K Y	9JR650000011	CAP CHIP 0402 10N 16V X7R +/-10%	1
C6133	065T040210312K Y	9JR650000011	CAP CHIP 0402 10N 16V X7R +/-10%	1
C6134	065T080510522K Y	9JR650000215	CAP CHIP 0805 1UF K 25V X7R	1
C6135	065T080510522K Y	9JR650000215	CAP CHIP 0805 1UF K 25V X7R	1
C6137	065T040233132K Y	9JR650000122	CAP CHIP 0402 330P 50V X7R +/-10%	1
C6138	065T040233132K Y	9JR650000122	CAP CHIP 0402 330P 50V X7R +/-10%	1
C6139	065T080510522K Y	9JR650000215	CAP CHIP 0805 1UF K 25V X7R	1
C6140	065T080510522K Y	9JR650000215	CAP CHIP 0805 1UF K 25V X7R	1
C6141	065T040210412K Y	9JR650000014	CAP CHIP 0402 100N 16V X7R +/-10%	1
C6142	065T040210412K Y	9JR650000014	CAP CHIP 0402 100N 16V X7R +/-10%	1
C6143	067T215Y2212CT	9JR6700000113	EC 220uF 10V GL 6.3x11mm	1
C6144	065T040233031J Y	9JR650000021	CAP CHIP 0402 33P 50V NPO +/-5%	1
C6145	065T040233031J Y	9JR650000021	CAP CHIP 0402 33P 50V NPO +/-5%	1
C6146	065G040222312K Y	9JR650000202	CAP CHIP 0402 22N 16V X7R +/-10%	1
C6147	065G040222312K Y	9JR650000202	CAP CHIP 0402 22N 16V X7R +/-10%	1
C6148	065T060310437Z Y	9JR650000038	CAP CHIP 0603 0.1UF Z 50V Y5V	1
C6149	065G120647437Z Y	9JR6500000227	CAP CHIP 1206 470nF 50V Y5V Z	1
C6149	065T120647437M Y	9JR6500000104	CER 1206 470N 50V Y5V +/-20%	1
C6150	065T120647437M Y	9JR6500000104	CER 1206 470N 50V Y5V +/-20%	1
C6151	065G040222132K Y	9JR650000200	CAP CHIP 0402 220pF 50V X7R +/-10%	1
C7101	067T 3054704CT	9JR6700000027	EC 47uF 25V KM 5x11mm	1
C7102	067T 3054704CT	9JR6700000027	EC 47uF 25V KM 5x11mm	1
C7103	065T040210412K Y	9JR650000014	CAP CHIP 0402 100N 16V X7R +/-10%	1
C7104	065G0805475A2K 3	9JR650000207	CAP CHIP 4.7UF 10V X7R +/- 10%	1
C7105	065T0805106A5K 3	9JR650000148	CHIP 10uF 10V X5R 10%	1
C7106	065T040210412K Y	9JR650000014	CAP CHIP 0402 100N 16V X7R +/-10%	1
C7107	067T215L1014CT	9JR6700000087	EC 100UF 25V KH 6.3*11mm	1
C7110	065G080522422K Y	9JR650000205	CAP CHIP 0805 220N 25V X7R -/+ 10%	1
C7111	065T060310432K Y	9JR650000209	CAP CHIP 0603 0.1UF K 50V X7R	1
C7113	065T040210412K Y	9JR650000014	CAP CHIP 0402 100N 16V X7R +/-10%	1
C7117	065T120610612K 3	9JR6500000098	CHIP 10uF 16V X7R 10%	1

C7118	065T040210412K Y	9JR6500000014	CAP CHIP 0402 100N 16V X7R +/-10%	1
C7120	065T060333312K Y	9JR6500000053	CAP CHIP 0603 33N 16V X7R +/-10%	1
C7121	065T060322412K Y	9JR6500000137	CAP CHIP 0603 0.22UF K 16V X7R	1
C7122	065T060322131J Y	9JR6500000210	CAP CHIP 0603 220PF J 50V NPO	1
C7123	065T060322232K Y	9JR6500000136	CAP CHIP 0603 2200PF K 50V X7R	1
C7124	065G080533132K Y	9JR6500000206	CAP CHIP 0805 330PF K 50V X7R	1
C7125	065T120610612K 3	9JR6500000098	CHIP 10uF 16V X7R 10%	1
C7126	067T215Y2212CT	9JR6700000113	EC 220uF 10V GL 6.3x11mm	1
C7127	067T215Y2212CT	9JR6700000113	EC 220uF 10V GL 6.3x11mm	1
C7129	067T 3152214KT	9JR6700000100	EC 220UF 25V ED 8*12mm	1
C7131	065T040210412K Y	9JR6500000014	CAP CHIP 0402 100N 16V X7R +/-10%	1
C7132	067T 3051007ET	9JR6700000006	EC 10uF 50V RGA 5x11 mm	1
C7133	065T040210412K Y	9JR6500000014	CAP CHIP 0402 100N 16V X7R +/-10%	1
C7134	067T 3051012ET	9JR6700000097	EC 100uF 10V RGA 5x11mm	1
C7156	067T 3051007ET	9JR6700000006	EC 10uF 50V RGA 5x11 mm	1
C7158	065T120610612K 3	9JR6500000098	CHIP 10uF 16V X7R 10%	1
C7159	065T040210412K Y	9JR6500000014	CAP CHIP 0402 100N 16V X7R +/-10%	1
C7160	065T040210412K Y	9JR6500000014	CAP CHIP 0402 100N 16V X7R +/-10%	1
C7161	067T 3051007ET	9JR6700000006	EC 10uF 50V RGA 5x11 mm	1
C7162	067T 3051012ET	9JR6700000097	EC 100uF 10V RGA 5x11mm	1
C7163	065T040210412K Y	9JR6500000014	CAP CHIP 0402 100N 16V X7R +/-10%	1
C7164	065T040210412K Y	9JR6500000014	CAP CHIP 0402 100N 16V X7R +/-10%	1
C7204	065T060310437Z Y	9JR6500000038	CAP CHIP 0603 0.1UF Z 50V Y5V	1
C7206	065T060310437Z Y	9JR6500000038	CAP CHIP 0603 0.1UF Z 50V Y5V	1
C7207	067T 2154714CT	9JR6700000110	EC 470uF 25V GF 10x12mm	1
C7209	065T060310437Z Y	9JR6500000038	CAP CHIP 0603 0.1UF Z 50V Y5V	1
C7210	067T 305471 7C	9JR6700000065	EC 470uF 50V KM 10x20mm	1
C7212	065T060310437Z Y	9JR6500000038	CAP CHIP 0603 0.1UF Z 50V Y5V	1
C7213	067T 3052214CT	9JR6700000061	EC 220UF/25V KM 8*11mm	1
C7301	065T040210412K Y	9JR6500000014	CAP CHIP 0402 100N 16V X7R +/-10%	1
C7302	065T040210412K Y	9JR6500000014	CAP CHIP 0402 100N 16V X7R +/-10%	1
C7304	065T040233031J Y	9JR6500000021	CAP CHIP 0402 33P 50V NPO +/-5%	1
C7306	065T040210412K Y	9JR6500000014	CAP CHIP 0402 100N 16V X7R +/-10%	1
CN1201	088G 78 13942 YG	9JR8800000038	RCA JACK 1*5 G/B/R/W/R RCA-512DF	1
CN1204	088T 302A12 YG	9JR8800000039	PHONE JACK 3.5mm 7P BLACK	1
CN1205	088G 7813A38C	9JR8800000040	RCA JACK 1*3 Y/W/R V/A	1
CN1206	088G 78 13934 YG	9JR8800000041	RCA JACK 1*3 Y/W/R RCA-314E-011	1
CN1401	088T 35315FTNB	9JR8800000042	D-SUB CONN V 15P F (WITH SCREW UNLOCKED)	1
CN1501	088G 340 19 VT	9JR8800000043	HDMI HEADER 19P V/T	1
CN1601	088G 34019E VD	9JR8800000041	HDMI HEADER 19P HDM24A-19BM4YN10	1
CN1703	088T 302A17 YG	9JR8800000042	PHONE JACK 3.5mm 3P V/T GREEN	1
CN1801	088G 352 2 YG	9JR8800000043	USB CONNECTOR USB4-01	1
CN1901	088T 35521U YG	9JR8800000037	SCART CONN. 21P V/T RC-2119	1
CN1902	088T 35521U YG	9JR8800000037	SCART CONN. 21P V/T RC-2119	1
CN6101	033T3802 4B Y	9JR3300000027	CONNECTOR	1
CN7201	033T380212B Y	9JR3300000044	CONNECTOR	1
CN7301	033T3802 4B Y	9JR3300000045	CONNECTOR	1
CN7303	033T3802 3E FP	9JR3300000006	WAFER 2.0MM 3P 63043	1
CN7306	033T3802 7B Y	9JR3300000040	CONNECTOR 7PIN	1
CN7503	033T8033 30 FP	9JR3300000045	WAFER	1
D1201	093G 39S925 T	9JR3300000045	DIODE AOZ8212CI-05L SOT-23	1
D1202	093G 39S925 T	9JR9300000077	DIODE AOZ8212CI-05L SOT-23	1
D1203	093G 64S522SEM	9JR9300000061	LL4148	1

D1204	093G 39S925 T	9JR9300000077	DIODE AOZ8212CI-05L SOT-23	1
D1205	093G 39S925 T	9JR9300000077	DIODE AOZ8212CI-05L SOT-23	1
D1206	093G 39S925 T	9JR9300000077	DIODE AOZ8212CI-05L SOT-23	1
D1207	093G 64S522SEM	9JR9300000061	LL4148	1
D1208	093G 39S925 T	9JR9300000077	DIODE AOZ8212CI-05L SOT-23	1
D1210	093G 39S925 T	9JR9300000077	DIODE AOZ8212CI-05L SOT-23	1
D1211	093G 39S925 T	9JR9300000077	DIODE AOZ8212CI-05L SOT-23	1
D1401	093T 60505	9JR9300000082	BAT54C PHILIPS	1
D1402	093G 39S925 T	9JR9300000077	DIODE AOZ8212CI-05L SOT-23	1
D1403	093G 39S925 T	9JR9300000077	DIODE AOZ8212CI-05L SOT-23	1
D1404	093G 39S925 T	9JR9300000077	DIODE AOZ8212CI-05L SOT-23	1
D1501	093T 60505	9JR9300000082	BAT54C PHILIPS	1
D1503	093T 60505	9JR9300000082	BAT54C PHILIPS	1
D1504	093T 60505	9JR9300000082	BAT54C PHILIPS	1
D1505	093T 60505	9JR9300000082	BAT54C PHILIPS	1
D1506	093G 64S522SEM	9JR9300000061	LL4148	1
D1601	093T 60505	9JR9300000082	BAT54C PHILIPS	1
D1602	093G 64S522SEM	9JR9300000061	LL4148	1
D1905	093G 39S925 T	9JR9300000077	DIODE AOZ8212CI-05L SOT-23	1
D1906	093G 39S925 T	9JR9300000077	DIODE AOZ8212CI-05L SOT-23	1
D1907	093G 39S925 T	9JR9300000077	DIODE AOZ8212CI-05L SOT-23	1
D1908	093G 39S925 T	9JR9300000077	DIODE AOZ8212CI-05L SOT-23	1
D1918	093G 39S925 T	9JR9300000077	DIODE AOZ8212CI-05L SOT-23	1
D6101	093G 52S902 T	9JR9300000078	DIODE 3A/100V S3B DO-214AB	1
D7101	093G1020 PH	9JR9300000080	DIODE S1D-E3 VISHAY	1
D7102	093G 64S522SEM	9JR9300000061	LL4148	1
FB1102	071T 56121 TA	9JR7100000024	CHIP BEAD 120R/3000mA HCB2012KF-121T30	1
FB1103	071T 56121 TA	9JR7100000024	CHIP BEAD 120R/3000mA HCB2012KF-121T30	1
FB1201	071T 59K300 TA	9JR7100000027	CHIP BEAD 0603 30R/700mA TAI-TECH	1
FB1202	071T 59K300 TA	9JR7100000027	CHIP BEAD 0603 30R/700mA TAI-TECH	1
FB1203	071T 59K300 TA	9JR7100000027	CHIP BEAD 0603 30R/700mA TAI-TECH	1
FB1204	071T 59K300 TA	9JR7100000027	CHIP BEAD 0603 30R/700mA TAI-TECH	1
FB1205	071T 59K300 TA	9JR7100000027	CHIP BEAD 0603 30R/700mA TAI-TECH	1
FB1206	071T 59K300 TA	9JR7100000027	CHIP BEAD 0603 30R/700mA TAI-TECH	1
FB1207	071T 59K300 TA	9JR7100000027	CHIP BEAD 0603 30R/700mA TAI-TECH	1
FB1208	071T 59A121 TA	9JR7100000026	CHIP BEAD 120R/3000mA HCB1608KF-121T30	1
FB1209	071T 59A121 TA	9JR7100000026	CHIP BEAD 120R/3000mA HCB1608KF-121T30	1
FB1210	071T 56121 TA	9JR7100000024	CHIP BEAD 120R/3000mA HCB2012KF-121T30	1
FB1228	071T 59K300 TA	9JR7100000027	CHIP BEAD 0603 30R/700mA TAI-TECH	1
FB1229	071T 59K300 TA	9JR7100000027	CHIP BEAD 0603 30R/700mA TAI-TECH	1
FB1401	071T 56121 TA	9JR7100000024	CHIP BEAD 120R/3000mA HCB2012KF-121T30	1
FB1402	071T 59K300 TA	9JR7100000027	CHIP BEAD 0603 30R/700mA TAI-TECH	1
FB1403	071T 59K300 TA	9JR7100000027	CHIP BEAD 0603 30R/700mA TAI-TECH	1
FB1404	071T 59K300 TA	9JR7100000027	CHIP BEAD 0603 30R/700mA TAI-TECH	1
FB1501	071T 56121 TA	9JR7100000024	CHIP BEAD 120R/3000mA HCB2012KF-121T30	1
FB1503	071T 56121 TA	9JR7100000024	CHIP BEAD 120R/3000mA HCB2012KF-121T30	1
FB1601	071T 59A121 TA	9JR7100000026	CHIP BEAD 120R/3000mA HCB1608KF-121T30	1
FB1701	071T 59A121 TA	9JR7100000026	CHIP BEAD 120R/3000mA HCB1608KF-121T30	1
FB1702	071T 59A121 TA	9JR7100000026	CHIP BEAD 120R/3000mA HCB1608KF-121T30	1
FB1703	071T 59A121 TA	9JR7100000026	CHIP BEAD 120R/3000mA HCB1608KF-121T30	1
FB1704	071T 59A121 TA	9JR7100000026	CHIP BEAD 120R/3000mA HCB1608KF-121T30	1
FB1706	071T 59A121 TA	9JR7100000026	CHIP BEAD 120R/3000mA HCB1608KF-121T30	1
FB1707	071T 59A121 TA	9JR7100000026	CHIP BEAD 120R/3000mA HCB1608KF-121T30	1

FB1708	071T 56121 TA	9JR7100000024	CHIP BEAD 120R/3000mA HCB2012KF-121T30	1
FB1801	071T 56121 TA	9JR7100000024	CHIP BEAD 120R/3000mA HCB2012KF-121T30	1
FB1802	071T 59A121 TA	9JR7100000026	CHIP BEAD 120R/3000mA HCB1608KF-121T30	1
FB1803	071T 56121 TA	9JR7100000024	CHIP BEAD 120R/3000mA HCB2012KF-121T30	1
FB1901	071T 56121 TA	9JR7100000024	CHIP BEAD 120R/3000mA HCB2012KF-121T30	1
FB1902	071T 59K300 TA	9JR7100000027	CHIP BEAD 0603 30R/700mA TAI-TECH	1
FB1903	071T 59K300 TA	9JR7100000027	CHIP BEAD 0603 30R/700mA TAI-TECH	1
FB4101	071T 59A121 TA	9JR7100000026	CHIP BEAD 120R/3000mA HCB1608KF-121T30	1
FB4201	071T 59A121 TA	9JR7100000026	CHIP BEAD 120R/3000mA HCB1608KF-121T30	1
FB4202	071T 59A121 TA	9JR7100000026	CHIP BEAD 120R/3000mA HCB1608KF-121T30	1
FB4203	071T 59A121 TA	9JR7100000026	CHIP BEAD 120R/3000mA HCB1608KF-121T30	1
FB4204	071T 59A121 TA	9JR7100000026	CHIP BEAD 120R/3000mA HCB1608KF-121T30	1
FB4205	071T 59A121 TA	9JR7100000026	CHIP BEAD 120R/3000mA HCB1608KF-121T30	1
FB4206	071T 59A121 TA	9JR7100000026	CHIP BEAD 120R/3000mA HCB1608KF-121T30	1
FB4207	071T 59A121 TA	9JR7100000026	CHIP BEAD 120R/3000mA HCB1608KF-121T30	1
FB4208	071T 59A121 TA	9JR7100000026	CHIP BEAD 120R/3000mA HCB1608KF-121T30	1
FB4209	071T 59A121 TA	9JR7100000026	CHIP BEAD 120R/3000mA HCB1608KF-121T30	1
FB4210	071T 59A121 TA	9JR7100000026	CHIP BEAD 120R/3000mA HCB1608KF-121T30	1
FB4211	071T 59A121 TA	9JR7100000026	CHIP BEAD 120R/3000mA HCB1608KF-121T30	1
FB4401	071T 59A121 TA	9JR7100000026	CHIP BEAD 120R/3000mA HCB1608KF-121T30	1
FB4403	071T 59A121 TA	9JR7100000026	CHIP BEAD 120R/3000mA HCB1608KF-121T30	1
FB6104	071T 56K121 TA	9JR7100000025	CHIP BEAD 0805 120R/6000mA	1
FB7105	071T 56121 TA	9JR7100000024	CHIP BEAD 120R/3000mA HCB2012KF-121T30	1
FB7108	071T 56121 TA	9JR7100000024	CHIP BEAD 120R/3000mA HCB2012KF-121T30	1
FB7114	071T 56121 TA	9JR7100000024	CHIP BEAD 120R/3000mA HCB2012KF-121T30	1
FB7116	071T 56121 TA	9JR7100000024	CHIP BEAD 120R/3000mA HCB2012KF-121T30	1
FB7117	071T 56121 TA	9JR7100000024	CHIP BEAD 120R/3000mA HCB2012KF-121T30	1
FB7201	071T 56121 TA	9JR7100000024	CHIP BEAD 120R/3000mA HCB2012KF-121T30	1
FB7202	071T 56121 TA	9JR7100000024	CHIP BEAD 120R/3000mA HCB2012KF-121T30	1
FB7203	071T 56121 TA	9JR7100000024	CHIP BEAD 120R/3000mA HCB2012KF-121T30	1
FB7204	071T 56121 TA	9JR7100000024	CHIP BEAD 120R/3000mA HCB2012KF-121T30	1
FB7205	071T 56121 TA	9JR7100000024	CHIP BEAD 120R/3000mA HCB2012KF-121T30	1
FB7206	071T 56121 TA	9JR7100000024	CHIP BEAD 120R/3000mA HCB2012KF-121T30	1
FB7207	071T 56121 TA	9JR7100000024	CHIP BEAD 120R/3000mA HCB2012KF-121T30	1
L1801	073G253S901 T	9JR7300000038	SMD CHOKE 90R/400mA ACM2012-900-2P	1
L6101	073T 253900 H	9JR7300000039	CHOKE COIL 35uH+/-10% 82mohm DR10*8	1
L6102	073T 253900 H	9JR7300000039	CHOKE COIL 35uH+/-10% 82mohm DR10*8	1
L7101	073T 253900 H	9JR7300000039	CHOKE COIL 35uH+/-10% 82mohm DR10*8	1
L7102	073G 253918 H	9JR7300000040	CHOKE COIL 15uH+/-10% 50mohm DR10*8	1
Q1201	057G 419513	9JR5700000002	BC847C	1
Q1202	057G 417 6	9JR5700000048	PMBS3906/PHILIPS-SMT(06)	1
Q1203	057G 419513	9JR5700000002	BC847C	1
Q1503	057G 419513	9JR5700000002	BC847C	1
Q1508	057G 419513	9JR5700000002	BC847C	1
Q1509	057G 419513	9JR5700000002	BC847C	1
Q1901	057G 417 6	9JR5700000048	PMBS3906/PHILIPS-SMT(06)	1
Q1902	057G 419513	9JR5700000002	BC847C	1
Q1903	057G 419513	9JR5700000002	BC847C	1
Q4201	057G 763904	9JR5700000038	TRA FET 2N7002 SOT-23 PHILIPS	1
Q6101	057T 7601PH	9JR5700000043	MUN2211T1G SC-59	1
Q6102	057G 419513	9JR5700000002	BC847C	1
Q6103	057G 763 3	9JR5700000042	AO4411 SO-8	1
Q6104	057G 419513	9JR5700000002	BC847C	1

Q6105	057G 419513	9JR570000002	BC847C	1
Q6106	057G 419513	9JR570000002	BC847C	1
Q6107	057G 419513	9JR570000002	BC847C	1
Q7101	057G 763 3	9JR570000042	AO4411 SO-8	1
Q7102	057T 7601PH	9JR570000043	MUN2211T1G SC-59	1
Q7103	057G 419513	9JR570000002	BC847C	1
Q7104	057T 7601PH	9JR570000043	MUN2211T1G SC-59	1
Q7108	057G 419513	9JR570000002	BC847C	1
Q7109	057G 763 3	9JR570000042	AO4411 SO-8	1
Q7201	057G 419513	9JR570000002	BC847C	1
Q7202	057G 419513	9JR570000002	BC847C	1
Q7303	057G 763904	9JR570000038	TRA FET 2N7002 SOT-23 PHILIPS	1
R1105	061G04027509FT	9JR6100000346	RST CHIP 75R 1/16W 1%	1
R1106	061T0402470 T	9JR6100000358	RST CHIP 47R 1/16W 5%	1
R1107	061T0402000 T	9JR6100000190	RST CHIP MAX 0R05 1/16W	1
R1108	061T0402000 T	9JR6100000190	RST CHIP MAX 0R05 1/16W	1
R1113	061T0402000 T	9JR6100000190	RST CHIP MAX 0R05 1/16W	1
R1114	061G0402100 T	9JR6100000327	RST CHIP 10R 1/16W 5%	1
R1115	061G0402100 T	9JR6100000327	RST CHIP 10R 1/16W 5%	1
R1116	061T0402000 T	9JR6100000190	RST CHIP MAX 0R05 1/16W	1
R1117	061T0402000 T	9JR6100000190	RST CHIP MAX 0R05 1/16W	1
R1123	061T0402000 T	9JR6100000190	RST CHIP MAX 0R05 1/16W	1
R1125	061T0402103 T	9JR6100000042	RST CHIP 10K 1/16W 5%	1
R1126	061G04022102FT	9JR6100000333	RST CHIP 21K 1% 1/16W	1
R1127	061G04022431FT	9JR6100000334	RST CHIP 2.43K 1% 1/16W	1
R1201	061G04027509FT	9JR6100000346	RST CHIP 75R 1/16W 1%	1
R1202	061G04027509FT	9JR6100000346	RST CHIP 75R 1/16W 1%	1
R1203	061G04027509FT	9JR6100000346	RST CHIP 75R 1/16W 1%	1
R1204	061T0402470 T	9JR6100000358	RST CHIP 47R 1/16W 5%	1
R1205	061T0402470 T	9JR6100000358	RST CHIP 47R 1/16W 5%	1
R1206	061T0402470 T	9JR6100000358	RST CHIP 47R 1/16W 5%	1
R1208	061G04027509FT	9JR6100000346	RST CHIP 75R 1/16W 1%	1
R1209	061G04027509FT	9JR6100000346	RST CHIP 75R 1/16W 1%	1
R1210	061G04027509FT	9JR6100000346	RST CHIP 75R 1/16W 1%	1
R1211	061T0402470 T	9JR6100000358	RST CHIP 47R 1/16W 5%	1
R1212	061T0402470 T	9JR6100000358	RST CHIP 47R 1/16W 5%	1
R1213	061T0402470 T	9JR6100000358	RST CHIP 47R 1/16W 5%	1
R1214	061G0402471 T	9JR6100000341	RST CHIP 470R 1/16W 5%	1
R1215	061T0402470 T	9JR6100000358	RST CHIP 47R 1/16W 5%	1
R1216	061G04027509FT	9JR6100000346	RST CHIP 75R 1/16W 1%	1
R1217	061T0402101 T	9JR6100000039	RST CHIP 100R 1/16W 5%	1
R1218	061G0402471 T	9JR6100000341	RST CHIP 470R 1/16W 5%	1
R1219	061T0402000 T	9JR6100000190	RST CHIP MAX 0R05 1/16W	1
R1220	061T0402393 T	9JR6100000202	RST CHIP 39K 1/16W 5%	1
R1221	061G0402153 T	9JR6100000330	RST CHIP 15K 1/16W 5%	1
R1222	061G04027509FT	9JR6100000346	RST CHIP 75R 1/16W 1%	1
R1223	061T04021000FT	9JR6100000356	RST CHIP 100R 1/16W 1%	1
R1224	061G0402330 T	9JR6100000336	RST CHIP 33R 1/16W 5%	1
R1225	061T0402101 T	9JR6100000039	RST CHIP 100R 1/16W 5%	1
R1226	061T0402101 T	9JR6100000039	RST CHIP 100R 1/16W 5%	1
R1227	061T0603330 T	9JR6100000099	RST CHIP 33R 1/10W 5%	1
R1228	061T0402223 T	9JR6100000198	RST CHIP 22K 1/16W 5%	1
R1229	061T0402223 T	9JR6100000198	RST CHIP 22K 1/16W 5%	1

R1230	061T0402103 T	9JR6100000042	RST CHIP 10K 1/16W 5%	1
R1231	061T0402473 T	9JR6100000206	RST CHIP 47K 1/16W 5%	1
R1232	061T0402473 T	9JR6100000206	RST CHIP 47K 1/16W 5%	1
R1233	061T0603473 T	9JR6100000246	RST CHIP 47K 1/10W 5%	1
R1234	061G0402100 T	9JR6100000327	RST CHIP 10R 1/16W 5%	1
R1235	061G0402100 T	9JR6100000327	RST CHIP 10R 1/16W 5%	1
R1236	061G0402333 T	9JR6100000338	RST CHIP 33K 1/16W 5%	1
R1237	061G0402333 T	9JR6100000338	RST CHIP 33K 1/16W 5%	1
R1238	061G0402333 T	9JR6100000338	RST CHIP 33K 1/16W 5%	1
R1239	061G0402333 T	9JR6100000338	RST CHIP 33K 1/16W 5%	1
R1240	061T0402104 T	9JR6100000193	RST CHIP 100K 1/16W 5%	1
R1241	061T0402104 T	9JR6100000193	RST CHIP 100K 1/16W 5%	1
R1246	061T0402000 T	9JR6100000190	RST CHIP MAX 0R05 1/16W	1
R1247	061T0402103 T	9JR6100000042	RST CHIP 10K 1/16W 5%	1
R1248	061T0402103 T	9JR6100000042	RST CHIP 10K 1/16W 5%	1
R1249	061G04027509FT	9JR6100000346	RST CHIP 75R 1/16W 1%	1
R1250	061G0402470 T	9JR6100000398	RST CHIP 47R 1/16W 5%	1
R1251	061G0402103 T	9JR6100000399	RST CHIP 10K 1/16W 5%	1
R1257	061G0402000 T	9JR6100000400	RST CHIP MAX 0R05 1/16W	1
R1258	061G0402000 T	9JR6100000400	RST CHIP MAX 0R05 1/16W	1
R1401	061G0402272 T	9JR6100000335	RST CHIP 2K7 1/16W 5%	1
R1402	061G0402100 T	9JR6100000327	RST CHIP 10R 1/16W 5%	1
R1403	061G0402272 T	9JR6100000335	RST CHIP 2K7 1/16W 5%	1
R1404	061G0402100 T	9JR6100000327	RST CHIP 10R 1/16W 5%	1
R1407	061T0402103 T	9JR6100000042	RST CHIP 10K 1/16W 5%	1
R1415	061T0402000 T	9JR6100000190	RST CHIP MAX 0R05 1/16W	1
R1416	061T0402000 T	9JR6100000190	RST CHIP MAX 0R05 1/16W	1
R1417	061T0402000 T	9JR6100000190	RST CHIP MAX 0R05 1/16W	1
R1418	061T0402000 T	9JR6100000190	RST CHIP MAX 0R05 1/16W	1
R1419	061G0402222 T	9JR6100000401	RST CHIP 2K2 1/16W 5%	1
R1420	061G0402222 T	9JR6100000401	RST CHIP 2K2 1/16W 5%	1
R1421	061T0402101 T	9JR6100000039	RST CHIP 100R 1/16W 5%	1
R1422	061T0402101 T	9JR6100000039	RST CHIP 100R 1/16W 5%	1
R1423	061G04027509FT	9JR6100000346	RST CHIP 75R 1/16W 1%	1
R1424	061G04027509FT	9JR6100000346	RST CHIP 75R 1/16W 1%	1
R1425	061G04027509FT	9JR6100000346	RST CHIP 75R 1/16W 1%	1
R1426	061T0402470 T	9JR6100000358	RST CHIP 47R 1/16W 5%	1
R1427	061T0402470 T	9JR6100000358	RST CHIP 47R 1/16W 5%	1
R1428	061T0402470 T	9JR6100000358	RST CHIP 47R 1/16W 5%	1
R1429	061G0402471 T	9JR6100000341	RST CHIP 470R 1/16W 5%	1
R1430	061T0402103 T	9JR6100000042	RST CHIP 10K 1/16W 5%	1
R1431	061G0603000 T	9JR6100000296	RST CHIP MAX 0R05 1/10W	1
R1501	061T0402202 T	9JR6100000357	RST CHIP 2K 1/16W 5%	1
R1502	061T0402202 T	9JR6100000357	RST CHIP 2K 1/16W 5%	1
R1503	061T0402220 T	9JR6100000195	RST CHIP 22R 1/16W 5%	1
R1504	061T0402102 T	9JR6100000192	RST CHIP 1K 1/16W 5%	1
R1505	061T0402220 T	9JR6100000195	RST CHIP 22R 1/16W 5%	1
R1506	061T0402472 T	9JR6100000205	RST CHIP 4K7 1/16W 5%	1
R1512	061G0402102 T	9JR6100000402	RST CHIP 1K 1/16W 5%	1
R1513	061G0402200 T	9JR6100000332	RST CHIP 20R 5% 1/16W	1
R1514	061G0402200 T	9JR6100000332	RST CHIP 20R 5% 1/16W	1
R1515	061G0402200 T	9JR6100000332	RST CHIP 20R 5% 1/16W	1
R1519	061G0402200 T	9JR6100000332	RST CHIP 20R 5% 1/16W	1

R1520	061T0402472 T	9JR6100000205	RST CHIP 4K7 1/16W 5%	1
R1521	061T0402103 T	9JR6100000042	RST CHIP 10K 1/16W 5%	1
R1522	061G0402200 T	9JR6100000332	RST CHIP 20R 5% 1/16W	1
R1523	061G0402200 T	9JR6100000332	RST CHIP 20R 5% 1/16W	1
R1524	061T0402472 T	9JR6100000205	RST CHIP 4K7 1/16W 5%	1
R1525	061G0402103 T	9JR6100000399	RST CHIP 10K 1/16W 5%	1
R1526	061T0402102 T	9JR6100000192	RST CHIP 1K 1/16W 5%	1
R1527	061G0402200 T	9JR6100000332	RST CHIP 20R 5% 1/16W	1
R1528	061G0402200 T	9JR6100000332	RST CHIP 20R 5% 1/16W	1
R1531	061T0402473 T	9JR6100000206	RST CHIP 47K 1/16W 5%	1
R1540	061G0402472 T	9JR6100000342	RST CHIP 4K7 1/16W 5%	1
R1541	061T0402472 T	9JR6100000205	RST CHIP 4K7 1/16W 5%	1
R1546	061G0402222 T	9JR6100000401	RST CHIP 2K2 1/16W 5%	1
R1547	061G0402222 T	9JR6100000401	RST CHIP 2K2 1/16W 5%	1
R1548	061T0402000 T	9JR6100000190	RST CHIP MAX 0R05 1/16W	1
R1549	061T0402000 T	9JR6100000190	RST CHIP MAX 0R05 1/16W	1
R1550	061T0402000 T	9JR6100000190	RST CHIP MAX 0R05 1/16W	1
R1553	061G06032701FT	9JR6100000349	RST CHIP 2K7 1/10W 1%	1
R1561	061G0402223 T	9JR6100000405	RST CHIP 22K 1/16W 5%	1
R1602	061G0402220 T	9JR6100000406	RST CHIP 22R 1/16W 5%	1
R1603	061G0402220 T	9JR6100000406	RST CHIP 22R 1/16W 5%	1
R1625	061G0402472 T	9JR6100000342	RST CHIP 4K7 1/16W 5%	1
R1626	061G0402472 T	9JR6100000342	RST CHIP 4K7 1/16W 5%	1
R1627	061G0402103 T	9JR6100000399	RST CHIP 10K 1/16W 5%	1
R1628	061G0402223 T	9JR6100000405	RST CHIP 22K 1/16W 5%	1
R1701	061T0402103 T	9JR6100000042	RST CHIP 10K 1/16W 5%	1
R1702	061G0402123 T	9JR6100000328	RST CHIP 12K 1/16W 5%	1
R1703	061T0402103 T	9JR6100000042	RST CHIP 10K 1/16W 5%	1
R1704	061G0402123 T	9JR6100000328	RST CHIP 12K 1/16W 5%	1
R1705	061T0402103 T	9JR6100000042	RST CHIP 10K 1/16W 5%	1
R1706	061G0402123 T	9JR6100000328	RST CHIP 12K 1/16W 5%	1
R1707	061T0402103 T	9JR6100000042	RST CHIP 10K 1/16W 5%	1
R1708	061G0402123 T	9JR6100000328	RST CHIP 12K 1/16W 5%	1
R1709	061T0402103 T	9JR6100000042	RST CHIP 10K 1/16W 5%	1
R1710	061G0402123 T	9JR6100000328	RST CHIP 12K 1/16W 5%	1
R1711	061T0402103 T	9JR6100000042	RST CHIP 10K 1/16W 5%	1
R1712	061G0402123 T	9JR6100000328	RST CHIP 12K 1/16W 5%	1
R1713	061T0402103 T	9JR6100000042	RST CHIP 10K 1/16W 5%	1
R1714	061G0402123 T	9JR6100000328	RST CHIP 12K 1/16W 5%	1
R1715	061T0402103 T	9JR6100000042	RST CHIP 10K 1/16W 5%	1
R1716	061G0402123 T	9JR6100000328	RST CHIP 12K 1/16W 5%	1
R1717	061G0402103 T	9JR6100000399	RST CHIP 10K 1/16W 5%	1
R1718	061G0402103 T	9JR6100000399	RST CHIP 10K 1/16W 5%	1
R1719	061G0402123 T	9JR6100000328	RST CHIP 12K 1/16W 5%	1
R1720	061G0402123 T	9JR6100000328	RST CHIP 12K 1/16W 5%	1
R1728	061G0402103 T	9JR6100000399	RST CHIP 10K 1/16W 5%	1
R1741	061G0402474 T	9JR6100000410	RST CHIP 470K 1/16W 5%	1
R1742	061G0402474 T	9JR6100000410	RST CHIP 470K 1/16W 5%	1
R1743	061G0402474 T	9JR6100000410	RST CHIP 470K 1/16W 5%	1
R1744	061G0402474 T	9JR6100000410	RST CHIP 470K 1/16W 5%	1
R1745	061G0402474 T	9JR6100000410	RST CHIP 470K 1/16W 5%	1
R1746	061G0402474 T	9JR6100000410	RST CHIP 470K 1/16W 5%	1
R1747	061G0402222 T	9JR6100000401	RST CHIP 2K2 1/16W 5%	1

R1748	061G0402222 T	9JR6100000401	RST CHIP 2K2 1/16W 5%	1
R1801	061T0402000 T	9JR6100000190	RST CHIP MAX 0R05 1/16W	1
R1802	061T0402472 T	9JR6100000205	RST CHIP 4K7 1/16W 5%	1
R1803	061T0402472 T	9JR6100000205	RST CHIP 4K7 1/16W 5%	1
R1804	061G0603363 T	9JR6100000350	RST CHIP 36K 1/10W 5%	1
R1807	061G0402153 T	9JR6100000330	RST CHIP 15K 1/16W 5%	1
R1808	061G0402153 T	9JR6100000330	RST CHIP 15K 1/16W 5%	1
R1901	061T0402470 T	9JR6100000358	RST CHIP 47R 1/16W 5%	1
R1903	061G0402103 T	9JR6100000399	RST CHIP 10K 1/16W 5%	1
R1904	061G0402103 T	9JR6100000399	RST CHIP 10K 1/16W 5%	1
R1905	061G04027509FT	9JR6100000346	RST CHIP 75R 1/16W 1%	1
R1907	061G0402103 T	9JR6100000399	RST CHIP 10K 1/16W 5%	1
R1908	061G0402103 T	9JR6100000399	RST CHIP 10K 1/16W 5%	1
R1909	061T0402750 T	9JR6100000212	RST CHIP 75R 1/16W 5%	1
R1910	061G0402471 T	9JR6100000341	RST CHIP 470R 1/16W 5%	1
R1911	061T0402393 T	9JR6100000202	RST CHIP 39K 1/16W 5%	1
R1912	061G0402153 T	9JR6100000330	RST CHIP 15K 1/16W 5%	1
R1913	061T0402000 T	9JR6100000190	RST CHIP MAX 0R05 1/16W	1
R1914	061T04021000FT	9JR6100000356	RST CHIP 100R 1/16W 1%	1
R1915	061G0402330 T	9JR6100000336	RST CHIP 33R 1/16W 5%	1
R1916	061T0402750 T	9JR6100000212	RST CHIP 75R 1/16W 5%	1
R1917	061T0402104 T	9JR6100000193	RST CHIP 100K 1/16W 5%	1
R1918	061G0603102 T	9JR6100000286	RST CHIP 1K 1/10W 5%	1
R1919	061G0603102 T	9JR6100000286	RST CHIP 1K 1/10W 5%	1
R1920	061G0402333 T	9JR6100000338	RST CHIP 33K 1/16W 5%	1
R1921	061G0402333 T	9JR6100000338	RST CHIP 33K 1/16W 5%	1
R1922	061G0402100 T	9JR6100000327	RST CHIP 10R 1/16W 5%	1
R1923	061G0402100 T	9JR6100000327	RST CHIP 10R 1/16W 5%	1
R1924	061G0402333 T	9JR6100000338	RST CHIP 33K 1/16W 5%	1
R1925	061G0402333 T	9JR6100000338	RST CHIP 33K 1/16W 5%	1
R1926	061T0603330 T	9JR6100000099	RST CHIP 33R 1/10W 5%	1
R1927	061T0603473 T	9JR6100000246	RST CHIP 47K 1/10W 5%	1
R1928	061T0402103 T	9JR6100000042	RST CHIP 10K 1/16W 5%	1
R1929	061T0402473 T	9JR6100000206	RST CHIP 47K 1/16W 5%	1
R1930	061T0402473 T	9JR6100000206	RST CHIP 47K 1/16W 5%	1
R1931	061T0402103 T	9JR6100000042	RST CHIP 10K 1/16W 5%	1
R1932	061T0402103 T	9JR6100000042	RST CHIP 10K 1/16W 5%	1
R1933	061T0402223 T	9JR6100000198	RST CHIP 22K 1/16W 5%	1
R1934	061T0402223 T	9JR6100000198	RST CHIP 22K 1/16W 5%	1
R1935	061T0402101 T	9JR6100000039	RST CHIP 100R 1/16W 5%	1
R1936	061T0402101 T	9JR6100000039	RST CHIP 100R 1/16W 5%	1
R1937	061G0402124 T	9JR6100000413	RST CHIP R 120Kohm 1/16W +/-5%	1
R1938	061T0402103 T	9JR6100000042	RST CHIP 10K 1/16W 5%	1
R1939	061T0402103 T	9JR6100000042	RST CHIP 10K 1/16W 5%	1
R1952	061G0402183 T	9JR6100000331	RST CHIP R 18Kohm 1/16W +/-5%	1
R1953	061G0402473 T	9JR6100000414	RST CHIP 47K 1/16W 5%	1
R1967	061G0402000 T	9JR6100000400	RST CHIP MAX 0R05 1/16W	1
R1968	061G0402000 T	9JR6100000400	RST CHIP MAX 0R05 1/16W	1
R4101	061G0402330 T	9JR6100000336	RST CHIP 33R 1/16W 5%	1
R4102	061T0402470 T	9JR6100000358	RST CHIP 47R 1/16W 5%	1
R4103	061T0402470 T	9JR6100000358	RST CHIP 47R 1/16W 5%	1
R4104	061G0402333 T	9JR6100000338	RST CHIP 33K 1/16W 5%	1
R4105	061G0402333 T	9JR6100000338	RST CHIP 33K 1/16W 5%	1



R4106	061T0402470 T	9JR6100000358	RST CHIP 47R 1/16W 5%	1
R4107	061T0402470 T	9JR6100000358	RST CHIP 47R 1/16W 5%	1
R4108	061T0402220 T	9JR6100000195	RST CHIP 22R 1/16W 5%	1
R4109	061T0402220 T	9JR6100000195	RST CHIP 22R 1/16W 5%	1
R4110	061T0402470 T	9JR6100000358	RST CHIP 47R 1/16W 5%	1
R4112	061T0402470 T	9JR6100000358	RST CHIP 47R 1/16W 5%	1
R4113	061T0402470 T	9JR6100000358	RST CHIP 47R 1/16W 5%	1
R4114	061T0402470 T	9JR6100000358	RST CHIP 47R 1/16W 5%	1
R4115	061T0402470 T	9JR6100000358	RST CHIP 47R 1/16W 5%	1
R4116	061T0402470 T	9JR6100000358	RST CHIP 47R 1/16W 5%	1
R4117	061T0402470 T	9JR6100000358	RST CHIP 47R 1/16W 5%	1
R4118	061T0402470 T	9JR6100000358	RST CHIP 47R 1/16W 5%	1
R4119	061T0402470 T	9JR6100000358	RST CHIP 47R 1/16W 5%	1
R4120	061T0402470 T	9JR6100000358	RST CHIP 47R 1/16W 5%	1
R4121	061T0402103 T	9JR6100000042	RST CHIP 10K 1/16W 5%	1
R4122	061T0402103 T	9JR6100000042	RST CHIP 10K 1/16W 5%	1
R4124	061G0402333 T	9JR6100000338	RST CHIP 33K 1/16W 5%	1
R4127	061T0402103 T	9JR6100000042	RST CHIP 10K 1/16W 5%	1
R4128	061T0402103 T	9JR6100000042	RST CHIP 10K 1/16W 5%	1
R4129	061G0402333 T	9JR6100000338	RST CHIP 33K 1/16W 5%	1
R4130	061T0402103 T	9JR6100000042	RST CHIP 10K 1/16W 5%	1
R4131	061T0402103 T	9JR6100000042	RST CHIP 10K 1/16W 5%	1
R4132	061G0402333 T	9JR6100000338	RST CHIP 33K 1/16W 5%	1
R4133	061G0402682 T	9JR6100000345	RST CHIP 6K8 1/16W 5%	1
R4136	061T0402101 T	9JR6100000039	RST CHIP 100R 1/16W 5%	1
R4137	061T0402104 T	9JR6100000193	RST CHIP 100K 1/16W 5%	1
R4203	061G0603103 T	9JR6100000287	RST CHIP 10K 1/10W 5%	1
R4207	061T0402101 T	9JR6100000039	RST CHIP 100R 1/16W 5%	1
R4208	061G04023900FT	9JR6100000339	RST CHIP 390R 1/16W 1%	1
R4209	061T0402000 T	9JR6100000190	RST CHIP MAX 0R05 1/16W	1
R4210	061T0402000 T	9JR6100000190	RST CHIP MAX 0R05 1/16W	1
R4216	061T0402000 T	9JR6100000190	RST CHIP MAX 0R05 1/16W	1
R4217	061T0402220 T	9JR6100000195	RST CHIP 22R 1/16W 5%	1
R4218	061T0402220 T	9JR6100000195	RST CHIP 22R 1/16W 5%	1
R4219	061T0402220 T	9JR6100000195	RST CHIP 22R 1/16W 5%	1
R4220	061T0402220 T	9JR6100000195	RST CHIP 22R 1/16W 5%	1
R4221	061T0402103 T	9JR6100000042	RST CHIP 10K 1/16W 5%	1
R4222	061T0402103 T	9JR6100000042	RST CHIP 10K 1/16W 5%	1
R4223	061T0402102 T	9JR6100000192	RST CHIP 1K 1/16W 5%	1
R4224	061T0402102 T	9JR6100000192	RST CHIP 1K 1/16W 5%	1
R4225	061T0402102 T	9JR6100000192	RST CHIP 1K 1/16W 5%	1
R4227	061G04023301FT	9JR6100000337	RST CHIP 3K3 1/16W 1%	1
R4228	061G0402682 T	9JR6100000345	RST CHIP 6K8 1/16W 5%	1
R4230	061G0603101 T	9JR6100000285	RST CHIP 100R 1/10W 5%	1
R4232	061T0402103 T	9JR6100000042	RST CHIP 10K 1/16W 5%	1
R4234	061T0402103 T	9JR6100000042	RST CHIP 10K 1/16W 5%	1
R4235	061T0402103 T	9JR6100000042	RST CHIP 10K 1/16W 5%	1
R4237	061T0402103 T	9JR6100000042	RST CHIP 10K 1/16W 5%	1
R4239	061T0402470 T	9JR6100000358	RST CHIP 47R 1/16W 5%	1
R4240	061T0402470 T	9JR6100000358	RST CHIP 47R 1/16W 5%	1
R4242	061T0402470 T	9JR6100000358	RST CHIP 47R 1/16W 5%	1
R4243	061T0402470 T	9JR6100000358	RST CHIP 47R 1/16W 5%	1
R4244	061T0402472 T	9JR6100000205	RST CHIP 4K7 1/16W 5%	1

R4245	061T0402470 T	9JR6100000358	RST CHIP 47R 1/16W 5%	1
R4246	061T0402470 T	9JR6100000358	RST CHIP 47R 1/16W 5%	1
R4247	061G0402333 T	9JR6100000338	RST CHIP 33K 1/16W 5%	1
R4248	061T0402470 T	9JR6100000358	RST CHIP 47R 1/16W 5%	1
R4249	061G0402333 T	9JR6100000338	RST CHIP 33K 1/16W 5%	1
R4252	061T0402103 T	9JR6100000042	RST CHIP 10K 1/16W 5%	1
R4254	061T0402470 T	9JR6100000358	RST CHIP 47R 1/16W 5%	1
R4256	061T0402103 T	9JR6100000042	RST CHIP 10K 1/16W 5%	1
R4257	061T0402470 T	9JR6100000358	RST CHIP 47R 1/16W 5%	1
R4258	061T0402470 T	9JR6100000358	RST CHIP 47R 1/16W 5%	1
R4259	061G0402472 T	9JR6100000342	RST CHIP 4K7 1/16W 5%	1
R4260	061T0402103 T	9JR6100000042	RST CHIP 10K 1/16W 5%	1
R4263	061T0402470 T	9JR6100000358	RST CHIP 47R 1/16W 5%	1
R4264	061T0402470 T	9JR6100000358	RST CHIP 47R 1/16W 5%	1
R4265	061T0402470 T	9JR6100000358	RST CHIP 47R 1/16W 5%	1
R4266	061T0402470 T	9JR6100000358	RST CHIP 47R 1/16W 5%	1
R4267	061T0402470 T	9JR6100000358	RST CHIP 47R 1/16W 5%	1
R4268	061T0402470 T	9JR6100000358	RST CHIP 47R 1/16W 5%	1
R4269	061T0402103 T	9JR6100000042	RST CHIP 10K 1/16W 5%	1
R4270	061T0402103 T	9JR6100000042	RST CHIP 10K 1/16W 5%	1
R4271	061T0402103 T	9JR6100000042	RST CHIP 10K 1/16W 5%	1
R4272	061T0402103 T	9JR6100000042	RST CHIP 10K 1/16W 5%	1
R4273	061T0402220 T	9JR6100000195	RST CHIP 22R 1/16W 5%	1
R4274	061T0402470 T	9JR6100000358	RST CHIP 47R 1/16W 5%	1
R4275	061T0402103 T	9JR6100000042	RST CHIP 10K 1/16W 5%	1
R4276	061G0402333 T	9JR6100000338	RST CHIP 33K 1/16W 5%	1
R4277	061T0402470 T	9JR6100000358	RST CHIP 47R 1/16W 5%	1
R4278	061T0402103 T	9JR6100000042	RST CHIP 10K 1/16W 5%	1
R4279	061G0402153 T	9JR6100000330	RST CHIP 15K 1/16W 5%	1
R4280	061G0402153 T	9JR6100000330	RST CHIP 15K 1/16W 5%	1
R4281	061T0402103 T	9JR6100000042	RST CHIP 10K 1/16W 5%	1
R4282	061T0402470 T	9JR6100000358	RST CHIP 47R 1/16W 5%	1
R4283	061T04024700FT	9JR6100000203	RST CHIP 470R 1/16W 1%	1
R4284	061G04024300FT	9JR6100000340	RST CHIP 430R 1/16W 1%	1
R4285	061G0603101 T	9JR6100000285	RST CHIP 100R 1/10W 5%	1
R4286	061T0402472 T	9JR6100000205	RST CHIP 4K7 1/16W 5%	1
R4287	061T0402104 T	9JR6100000193	RST CHIP 100K 1/16W 5%	1
R4290	061G0603103 Y	9JR6100000416	RST CHIPR 10KOHM +-5% 1/10W YAGEO	1
R4291	061G0603103 T	9JR6100000287	RST CHIP 10K 1/10W 5%	1
R4292	061G0603103 T	9JR6100000287	RST CHIP 10K 1/10W 5%	1
R4294	061G0603103 T	9JR6100000287	RST CHIP 10K 1/10W 5%	1
R4299	061T0402103 T	9JR6100000042	RST CHIP 10K 1/16W 5%	1
R4301	061T0402470 T	9JR6100000358	RST CHIP 47R 1/16W 5%	1
R4302	061T0402103 T	9JR6100000042	RST CHIP 10K 1/16W 5%	1
R4303	061G0402102 T	9JR6100000402	RST CHIP 1K 1/16W 5%	1
R4304	061T0402470 T	9JR6100000358	RST CHIP 47R 1/16W 5%	1
R4305	061G0402103 T	9JR6100000399	RST CHIP 10K 1/16W 5%	1
R4306	061T0402470 T	9JR6100000358	RST CHIP 47R 1/16W 5%	1
R4307	061T0402103 T	9JR6100000042	RST CHIP 10K 1/16W 5%	1
R4308	061G0402102 T	9JR6100000402	RST CHIP 1K 1/16W 5%	1
R4309	061T0402470 T	9JR6100000358	RST CHIP 47R 1/16W 5%	1
R4310	061T0402103 T	9JR6100000042	RST CHIP 10K 1/16W 5%	1
R4311	061T0402470 T	9JR6100000358	RST CHIP 47R 1/16W 5%	1

R4312	061G0402102 T	9JR6100000402	RST CHIP 1K 1/16W 5%	1
R4401	061G0603103 T	9JR6100000287	RST CHIP 10K 1/10W 5%	1
R4402	061G0603103 T	9JR6100000287	RST CHIP 10K 1/10W 5%	1
R4403	061T0402220 T	9JR6100000195	RST CHIP 22R 1/16W 5%	1
R4404	061T0402220 T	9JR6100000195	RST CHIP 22R 1/16W 5%	1
R4405	061T0402220 T	9JR6100000195	RST CHIP 22R 1/16W 5%	1
R4406	061G04025609FT	9JR6100000344	RST CHIP 56R 1/16W 1%	1
R4407	061G04025609FT	9JR6100000344	RST CHIP 56R 1/16W 1%	1
R4408	061G04025609FT	9JR6100000344	RST CHIP 56R 1/16W 1%	1
R4409	061G04025609FT	9JR6100000344	RST CHIP 56R 1/16W 1%	1
R4410	061G04021500FT	9JR6100000329	RST CHIP 150R 1/16W 1%	1
R4411	061T0402220 T	9JR6100000195	RST CHIP 22R 1/16W 5%	1
R4413	061G0402000 T	9JR6100000400	RST CHIP MAX 0R05 1/16W	1
R4414	061T0402101 T	9JR6100000039	RST CHIP 100R 1/16W 5%	1
R4415	061T0402101 T	9JR6100000039	RST CHIP 100R 1/16W 5%	1
R4417	061T0402101 T	9JR6100000039	RST CHIP 100R 1/16W 5%	1
R4420	061G0603103 T	9JR6100000287	RST CHIP 10K 1/10W 5%	1
R4421	061T0402101 T	9JR6100000039	RST CHIP 100R 1/16W 5%	1
R4422	061T0402101 T	9JR6100000039	RST CHIP 100R 1/16W 5%	1
R4423	061T0402101 T	9JR6100000039	RST CHIP 100R 1/16W 5%	1
R6101	061T0603473 T	9JR6100000246	RST CHIP 47K 1/10W 5%	1
R6102	061G0603102 T	9JR6100000286	RST CHIP 1K 1/10W 5%	1
R6103	061G0603563 T	9JR6100000352	RST CHIP 56K 1/10W 5%	1
R6104	061G0603183 T	9JR6100000421	RST CHIP 18K 1/10W 5%	1
R6105	061G0603474 T	9JR6100000422	RST CHIP 470K 1/10W 5%	1
R6106	061G0603103 T	9JR6100000287	RST CHIP 10K 1/10W 5%	1
R6107	061G0603103 T	9JR6100000287	RST CHIP 10K 1/10W 5%	1
R6108	061T0402101 T	9JR6100000039	RST CHIP 100R 1/16W 5%	1
R6109	061T0402101 T	9JR6100000039	RST CHIP 100R 1/16W 5%	1
R6110	061T0402103 T	9JR6100000042	RST CHIP 10K 1/16W 5%	1
R6111	061T0603473 T	9JR6100000246	RST CHIP 47K 1/10W 5%	1
R6112	061T0603330 T	9JR6100000099	RST CHIP 33R 1/10W 5%	1
R6113	061G0402333 T	9JR6100000338	RST CHIP 33K 1/16W 5%	1
R6114	061G0402333 T	9JR6100000338	RST CHIP 33K 1/16W 5%	1
R6115	061G0402100 T	9JR6100000327	RST CHIP 10R 1/16W 5%	1
R6116	061G0402100 T	9JR6100000327	RST CHIP 10R 1/16W 5%	1
R6117	061G0603101 T	9JR6100000285	RST CHIP 100R 1/10W 5%	1
R6118	061G0603471 T	9JR6100000351	RST CHIP 470R 1/10W 5%	1
R6119	061G0603182 T	9JR6100000347	RST CHIP 1K8 1/10W 5%	1
R6120	061G0402100 T	9JR6100000327	RST CHIP 10R 1/16W 5%	1
R6121	061G0402100 T	9JR6100000327	RST CHIP 10R 1/16W 5%	1
R6122	061G1206222 T	9JR6100000355	RST CHIP 2K2 1/4W 5%	1
R6123	061G1206222 T	9JR6100000355	RST CHIP 2K2 1/4W 5%	1
R6129	061G1206222 T	9JR6100000355	RST CHIP 2K2 1/4W 5%	1
R6130	061G1206222 T	9JR6100000355	RST CHIP 2K2 1/4W 5%	1
R6131	061T0402101 T	9JR6100000039	RST CHIP 100R 1/16W 5%	1
R6132	061T0402101 T	9JR6100000039	RST CHIP 100R 1/16W 5%	1
R6133	061T0402223 T	9JR6100000198	RST CHIP 22K 1/16W 5%	1
R6134	061T0402223 T	9JR6100000198	RST CHIP 22K 1/16W 5%	1
R6135	061T0402103 T	9JR6100000042	RST CHIP 10K 1/16W 5%	1
R6136	061T0402103 T	9JR6100000042	RST CHIP 10K 1/16W 5%	1
R6137	061T0402223 T	9JR6100000198	RST CHIP 22K 1/16W 5%	1
R6138	061T0402223 T	9JR6100000198	RST CHIP 22K 1/16W 5%	1

R6139	061T0402473 T	9JR6100000206	RST CHIP 47K 1/16W 5%	1
R6140	061T0402473 T	9JR6100000206	RST CHIP 47K 1/16W 5%	1
R6142	061T0402103 T	9JR6100000042	RST CHIP 10K 1/16W 5%	1
R6143	061T0402103 T	9JR6100000042	RST CHIP 10K 1/16W 5%	1
R6144	061T0402473 T	9JR6100000206	RST CHIP 47K 1/16W 5%	1
R6145	061T0402473 T	9JR6100000206	RST CHIP 47K 1/16W 5%	1
R6146	061T0402103 T	9JR6100000042	RST CHIP 10K 1/16W 5%	1
R6147	061T0603473 T	9JR6100000246	RST CHIP 47K 1/10W 5%	1
R6148	061T0603330 T	9JR6100000099	RST CHIP 33R 1/10W 5%	1
R6149	061G0402333 T	9JR6100000338	RST CHIP 33K 1/16W 5%	1
R6150	061G0402333 T	9JR6100000338	RST CHIP 33K 1/16W 5%	1
R6151	061G0402100 T	9JR6100000327	RST CHIP 10R 1/16W 5%	1
R6152	061G0402100 T	9JR6100000327	RST CHIP 10R 1/16W 5%	1
R7101	061T0603473 T	9JR6100000246	RST CHIP 47K 1/10W 5%	1
R7102	061G0603102 T	9JR6100000286	RST CHIP 1K 1/10W 5%	1
R7103	061G0603563 T	9JR6100000352	RST CHIP 56K 1/10W 5%	1
R7104	061G0603563 T	9JR6100000352	RST CHIP 56K 1/10W 5%	1
R7105	061G0603103 T	9JR6100000287	RST CHIP 10K 1/10W 5%	1
R7106	061T0402000 T	9JR6100000190	RST CHIP MAX 0R05 1/16W	1
R7113	061G0603563 T	9JR6100000352	RST CHIP 56K 1/10W 5%	1
R7115	061G0603103 T	9JR6100000287	RST CHIP 10K 1/10W 5%	1
R7116	061G0603102 T	9JR6100000286	RST CHIP 1K 1/10W 5%	1
R7117	061G0603563 T	9JR6100000352	RST CHIP 56K 1/10W 5%	1
R7118	061G0805229 T	9JR6100000354	RST CHIP 2R2 1/8W 5%	1
R7119	061G06032701FT	9JR6100000349	RST CHIP 2K7 1/10W 1%	1
R7120	061T06031002FT	9JR6100000359	RST CHIP 10K 1/10W 1%	1
R7121	061G0603822 T	9JR6100000353	RST CHIP 8K2 1/10W 5%	1
R7123	061G06031000FT	9JR6100000002	RST CHIP 100R 1/10W 1%	1
R7124	061T06031100FT	9JR6100000360	RST CHIP 110R 1/10W 1%	1
R7125	061T06031200FT	9JR6100000078	RST CHIP 120R 1/10W 1%	1
R7137	061T06032000FT	9JR6100000083	RST CHIP 200R 1/10W 1%	1
R7138	061T0603473 T	9JR6100000246	RST CHIP 47K 1/10W 5%	1
R7139	061G0603563 T	9JR6100000352	RST CHIP 56K 1/10W 5%	1
R7140	061T06031200FT	9JR6100000078	RST CHIP 120R 1/10W 1%	1
R7141	061T06032000FT	9JR6100000083	RST CHIP 200R 1/10W 1%	1
R7202	061G0402102 T	9JR6100000402	RST CHIP 1K 1/16W 5%	1
R7203	061G0402100 T	9JR6100000327	RST CHIP 10R 1/16W 5%	1
R7205	061G0603103 T	9JR6100000287	RST CHIP 10K 1/10W 5%	1
R7206	061G0402222 T	9JR6100000401	RST CHIP 2K2 1/16W 5%	1
R7208	061G0603101 T	9JR6100000285	RST CHIP 100R 1/10W 5%	1
R7209	061G0603103 T	9JR6100000287	RST CHIP 10K 1/10W 5%	1
R7214	061T0402470 T	9JR6100000358	RST CHIP 47R 1/16W 5%	1
R7215	061G0402000 T	9JR6100000400	RST CHIP MAX 0R05 1/16W	1
R7217	061T0402472 T	9JR6100000205	RST CHIP 4K7 1/16W 5%	1
R7301	061G0402479 T	9JR6100000343	RST CHIP 4R7 1/16W 5%	1
R7302	061G0402479 T	9JR6100000343	RST CHIP 4R7 1/16W 5%	1
R7303	061T0402000 T	9JR6100000190	RST CHIP MAX 0R05 1/16W	1
R7308	061G0402220 T	9JR6100000406	RST CHIP 22R 1/16W 5%	1
R7309	061G0402220 T	9JR6100000406	RST CHIP 22R 1/16W 5%	1
R7310	061T0402000 T	9JR6100000190	RST CHIP MAX 0R05 1/16W	1
R7319	061T0402470 T	9JR6100000358	RST CHIP 47R 1/16W 5%	1
R7320	061T0402101 T	9JR6100000039	RST CHIP 100R 1/16W 5%	1
R7321	061T0402101 T	9JR6100000039	RST CHIP 100R 1/16W 5%	1

R7322	061T0402101 T	9JR6100000039	RST CHIP 100R 1/16W 5%	1
R7523	061G0402000 T	9JR6100000400	RST CHIP MAX 0R05 1/16W	1
R7527	061G0603000 T	9JR6100000296	RST CHIP MAX 0R05 1/10W	1
RP4401	061G 126470 8Y	9JR6100000326	RST CHIP AR 8P4R 47 OHM +-5% 1/16W	1
RP4402	061G 126470 8Y	9JR6100000326	RST CHIP AR 8P4R 47 OHM +-5% 1/16W	1
RP4403	061G 126470 8Y	9JR6100000326	RST CHIP AR 8P4R 47 OHM +-5% 1/16W	1
RP4404	061G 126470 8Y	9JR6100000326	RST CHIP AR 8P4R 47 OHM +-5% 1/16W	1
RP4405	061G 126470 8Y	9JR6100000326	RST CHIP AR 8P4R 47 OHM +-5% 1/16W	1
RP4406	061G 126470 8Y	9JR6100000326	RST CHIP AR 8P4R 47 OHM +-5% 1/16W	1
RP4407	061G 126470 8Y	9JR6100000326	RST CHIP AR 8P4R 47 OHM +-5% 1/16W	1
TU1101	094GPASEALL10G	9JR9400000003	TUNER PAL+SECAM TAFT-S710D	1
U1101	056G 563964	9JR5600000059	IC SC4215HSTRT SO-8	1
U1201	056T 192901	9JR5600000067	IC DRV601RTJR QFN-20	1
U1401	056T1133918	9JR5600000077	IC AT24C02BN-SH-T 8-SOIC	1
U1501	056T1133918	9JR5600000077	IC AT24C02BN-SH-T 8-SOIC	1
U1503	056G 634 24	9JR5600000062	IC TMDS261PAGT TQFP-64	1
U1602	056T1133918	9JR5600000077	IC AT24C02BN-SH-T 8-SOIC	1
U1701	056G 623906	9JR5600000078	IC NLAB3157DFT2G SC-88	1
U1702	056G 623906	9JR5600000078	IC NLAB3157DFT2G SC-88	1
U1801	056T 665918	9JR5600000071	IC STMP2171STR SOT23-5L	1
U1901	056T 192901	9JR5600000067	IC DRV601RTJR QFN-20	1
U4101	056T1125195	9JR5600000072	IC WT6703F-SG240WT SOP-24	1
U4102	056G 643906	9JR5600000063	IC APX809-26SAG-7 SOT23	1
U4201	056T1126 62	9JR5600000073	IC MST9A885GL-LF LQFP-256	1
U4202	056G 643A03	9JR5600000064	IC APX810-29SAG-7 SOT23	1
U4203	056T113353A	9JR5600000074	M24C32-WMN6TP	1
U4401	056G 615924	9JR5600000060	IC W9412G6IH-5 TSSOP-66	1
U4402	056G1133950	9JR5600000065	IC W25X16AVSSIG SO-8 208mil	1
U6101	056T 192901	9JR5600000067	IC DRV601RTJR QFN-20	1
U6102	056G 616917	9JR5600000061	IC TPA3124D2PWPR	1
U6103	056T 192901	9JR5600000067	IC DRV601RTJR QFN-20	1
U7101	056T 368906	9JR5600000068	2C TPS62203DBVRG4 SOT-23	1
U7103	056T 563952	9JR5600000070	IC SC4524BSETRT SO-8	1
U7105	056T 563126	9JR5600000079	IC G1117T63Uf SOT-223	1
U7108	056T 563126	9JR5600000079	IC G1117T63Uf SOT-223	1
U7109	056T 563126	9JR5600000079	IC G1117T63Uf SOT-223	1
X1401	093T 22 61 HE	9JR9300000081	XTL 1TC125DFNS004 32.768KHZ DT-38	1
X4201	093G 22S903 C	9JR9300000075	CRYSTAL 14M318 18P HC49/S	1
ZD1201	093G 64 37 N	9JR9300000074	VPORT0603100KV05	1
ZD1202	093G 64 37 N	9JR9300000074	VPORT0603100KV05	1
ZD1203	093G 64 37 N	9JR9300000074	VPORT0603100KV05	1
ZD1204	093G 64 37 N	9JR9300000074	VPORT0603100KV05	1
ZD1401	093G 39S901 T	9JR9300000092	DIODE BZX84-C5V6 SOT-23 VISHAY	1
ZD1402	093G 39S901 T	9JR9300000092	DIODE BZX84-C5V6 SOT-23 VISHAY	1
ZD1403	093G 39S901 T	9JR9300000092	DIODE BZX84-C5V6 SOT-23 VISHAY	1
ZD1404	093G 39S901 T	9JR9300000092	DIODE BZX84-C5V6 SOT-23 VISHAY	1
ZD1405	093G 39S901 T	9JR9300000092	DIODE BZX84-C5V6 SOT-23 VISHAY	1
ZD1501	093G 39S901 T	9JR9300000092	DIODE BZX84-C5V6 SOT-23 VISHAY	1
ZD1504	093T 64 65 TY	9JR9300000083	SMD ESD PROTECTOR PESD0603-240	1
ZD1505	093T 64 65 TY	9JR9300000083	SMD ESD PROTECTOR PESD0603-240	1
ZD1506	093T 64 65 TY	9JR9300000083	SMD ESD PROTECTOR PESD0603-240	1
ZD1511	093T 64 65 TY	9JR9300000083	SMD ESD PROTECTOR PESD0603-240	1
ZD1512	093T 64 65 TY	9JR9300000083	SMD ESD PROTECTOR PESD0603-240	1

ZD1513	093T 64 65 TY	9JR9300000083	SMD ESD PROTECTOR PESD0603-240	1
ZD1601	093G 39S901 T	9JR9300000092	DIODE BZX84-C5V6 SOT-23 VISHAY	1
ZD1701	093G 64 37 N	9JR9300000074	VPORT0603100KV05	1
ZD1702	093G 64 37 N	9JR9300000074	VPORT0603100KV05	1
ZD1703	093G 64 37 N	9JR9300000074	VPORT0603100KV05	1
ZD1704	093G 64 37 N	9JR9300000074	VPORT0603100KV05	1
ZD1901	093G 64 37 N	9JR9300000074	VPORT0603100KV05	1
ZD1902	093G 64 37 N	9JR9300000074	VPORT0603100KV05	1
ZD1903	093G 64 37 N	9JR9300000074	VPORT0603100KV05	1
ZD1904	093G 64 37 N	9JR9300000074	VPORT0603100KV05	1
ZD1905	093G 64 37 N	9JR9300000074	VPORT0603100KV05	1
ZD1906	093G 64 37 N	9JR9300000074	VPORT0603100KV05	1
ZD1907	093G 64 37 N	9JR9300000074	VPORT0603100KV05	1
ZD1908	093G 64 37 N	9JR9300000074	VPORT0603100KV05	1
ZD1909	093G 64 37 N	9JR9300000074	VPORT0603100KV05	1
ZD1910	093G 64 37 N	9JR9300000074	VPORT0603100KV05	1
ZD6101	093G 39S 47	9JR9300000076	BZX84C3V6 SOT-23	1
ZD7101	093G 60S801	9JR9300000079	DIODE SSA34 VISHAY	1
ZD7301	093T 39S911 T	9JR9300000084	DIODE BZX84-C5V6 SOT-23 PHILIPS	1
ZD7302	093T 39S911 T	9JR9300000084	DIODE BZX84-C5V6 SOT-23 PHILIPS	1
ZD7303	093T 39S911 T	9JR9300000084	DIODE BZX84-C5V6 SOT-23 PHILIPS	1
ZD7304	093T 39S911 T	9JR9300000084	DIODE BZX84-C5V6 SOT-23 PHILIPS	1
<b>1054</b>	<b>ADTV92407PA1</b>	<b>9JR9900000027</b>	<b>POWER PCB ASSY</b>	
BD901	093G 50460 38	9JR9300000085	BRIDGE KBJ408G 4A/800V KBJ	1
C901	063G107K224 US	9JR9300000086	MPX. 0.22UF 250V +/-10%	1
C902	065T306M1022B3	9JR9300000087	Y1 CAP 1000pF +/-20% 250VAC CD SERIES	1
C903	065T306M1022B3	9JR9300000088	Y1 CAP 1000pF +/-20% 250VAC CD SERIES	1
C904	063G107K224 US	9JR6300000011	MPX. 0.22UF 250V +/-10%	1
C906	065T306M1522B3	9JR6300000012	Y1 CAP 1500pF / 250V.	1
C907	067G 4012115L	9JR6700000053	EC 120uF 450V LSG 30x25mm	1
C908	065T306M1522B3	9JR6500000224	Y1 CAP 1500pF / 250V.	1
C909	065T306M1022B3	9JR6500000219	Y1 CAP 1000pF +/-20% 250VAC CD SERIES	1
C931	065G080533432K 3	9JR6500000220	CAP CHIP 0805 330N 50V X7R +/-10%	1
C932	065T080510432K Y	9JR6500000071	CAP CHIP 0805 0.1UF K 50V X7R	1
C933	065T080522131J Y	9JR6500000149	CAP CHIP 0805 220PF J 50V NPO	1
C934	067T 305479 7E	9JR6700000114	EC 4U7 50V RGA 5*11mm	1
C935	065T080510432K Y	9JR6700000115	CAP CHIP 0805 0.1UF K 50V X7R	1
C936	065G120610432K Y	9JR6700000116	CER 1206 100N 50V X7R +/-10%	1
C937	065G120610537Z Y	9JR6700000117	CER 1206 1U 50V Y5V -20%+80%	1
C940	065T080533332K Y	9JR6500000221	CAP CHIP 0805 33NF K 50V X7R	1
C941	063G210J2234CC	9JR6300000012	CAP MPP 22NF 630V 5%	1
C942	065T080533232K Y	9JR6300000012	CAP CHIP 0805 3300PF K 50V X7R	1
C943	067T 515681 7C	9JR6700000082	EC 680UF 50V GF 13*25mm	1
C946	067G 3152214CT	9JR6700000115	EC 220UF 25V GF 8*11.5mm	1
C947	067G 305470 4	9JR6700000116	EC 47uF 25V KM 5x11mm U	1
C949	065T080533332K Y	9JR6500000221	CAP CHIP 0805 33NF K 50V X7R	1
C954	065G 1K1019AT	9JR6500000222	C CAP. 100PF 1KV RR	1
C955	065G 1K1019AT	9JR6500000222	C CAP. 100PF 1KV RR	1
C980	065G517K1522AT	9JR6500000223	CER2 DC B 500V S 1N5 PM10 A	1
C981	067T 3053307CT	9JR6700000024	EC 33uF 50V KM 6.3x11mm	1
C983	065T080510432K Y	9JR6500000071	CAP CHIP 0805 0.1UF K 50V X7R	1
C984	064G 47J1031AT EU	9JR6400000003	F/C PPN 0.01uF 100V 5% EUROPTRONIC	1

C985	067T 515272 3C	9JR6700000080	EC 2700UF 16V GF 13*25mm	1
C986	067G 305470 4	9JR6700000116	EC 47uF 25V KM 5x11mm U	1
C989	065T080510432K Y	9JR6500000071	CAP CHIP 0805 0.1UF K 50V X7R	1
C990	067T 3051007ET	9JR6700000006	EC 10uF 50V RGA 5x11 mm	1
C992	067G 4152217CT	9JR6700000117	EC 220uF 50V GF 10x16mm	1
C993	065G080510332K Y	9JR6500000199	CAP CHIP 0805 10N 50V X7R +/-10%	1
C994	065G080510332K Y	9JR6500000199	CAP CHIP 0805 10N 50V X7R +/-10%	1
CN901	087G 501 47 S	9JR8700000004	AC SOCKET 2PIN + 2 SCREW Hole	1
CN902	033T327812D	9JR3300000016	WAFER 12P PLUG	1
CN903	033T327813D	9JR3300000017	CONNECTOR	1
D935	093T 60910	9JR9300000023	DIODE 40V/10A SBF1040CT ITO-220AB	1
D951	093G 64901 T	9JR9300000036	DIO SIG SM BAV103 (VISH) R	1
D952	093G 64901 T	9JR9300000036	DIO SIG SM BAV103 (VISH) R	1
D953	093G 64901 T	9JR9300000036	DIO SIG SM BAV103 (VISH) R	1
D954	093G 6450752T	9JR9300000086	Diode BAV21	1
D955	093T 60282	9JR9300000087	DIODE SP20100R 20A/100V ITO-220	1
D956	093G 60S911 T	9JR9300000088	DIODE SK24A DO214AC	1
D957	093G 64901 T	9JR9300000036	DIO SIG SM BAV103 (VISH) R	1
D980	093T108090052T	9JR9300000032	DIODE UG1006 1A 800V DO-41	1
D981	093T102050152T	9JR9300000031	RGP10D	1
D982	093C 6050952T	9JR9300000089	SB140	1
D983	093G201090052T	9JR9300000090	DIODE SR210 100V 2A DO-15	1
D984	093G201090052T	9JR9300000090	DIODE SR210 100V 2A DO-15	1
F901	084T 41 4	9JR8400000007	FUSE 250V 4A by Littelfuse	1
F902	084T 41 4	9JR8400000007	FUSE 250V 4A by Littelfuse	1
FB905	071G 55 8	9JR7100000028	FERRITE BEAD	1
FB980	071G 55909	9JR7100000029	FERRITE CORE 2.5*3*0.8 BF-L25030W-768	1
FB985	071G 55 19 T	9JR7100000001	FERRITE BEAD D9X3. 5X0.8	1
IC931	056T 581 7	9JR5600000015	IC TNY277PN DIP-8C	1
IC932	056T 139 5A	9JR5600000004	TCET1103G	1
IC951	056G 665 10 1	9JR5600000075	IC RESONANT L6599DTR SO-16N ST	1
IC952	056T 139 5A	9JR5600000076	TCET1103G	1
IC953	056T 158 10 T	9JR5600000005	IC AS431AZTR-E1 TO-92	1
IC982	056T 158 10 T	9JR5600000005	IC AS431AZTR-E1 TO-92	1
IC991	056G 139 5A	9JR5600000076	TCET1103G	1
L901	073G 174935 L	9JR7300000041	LINE FILTER 15mH 1.8A LF-011378	1
L902	073T 174106 YS	9JR7300000042	LINE FILTER 13mH YS04120062	1
L904	071T 55910 H	9JR7100000017	FERRITE CORE H75 6*10 BF-I60100R-706	1
L905	071T 55910 H	9JR7100000017	FERRITE CORE H75 6*10 BF-I60100R-706	1
L931	073G 253 91 H	9JR7300000037	CHOKE COIL	1
L932	073G 253 91 H	9JR7300000037	CHOKE COIL	1
L980	073G 253 91 H	9JR7300000037	CHOKE COIL	1
NR901	061T 58030 WL	9JR6100000373	RST NTCR 3 OHM +-20% 5A THINKING	1
Q931	057G 420519 T	9JR5700000044	BC857C	1
Q932	057G 420519 T	9JR5700000044	BC857C	1
Q945	057G 420903 T	9JR5700000045	TRA SIG BC327-40 (KEC0) A	1
Q951	057G 611 10	9JR5700000046	TRA FQPF5N50C 5A/500V TO-220F	1
Q952	057G 611907	9JR5700000047	MOSFET TK7A50D	1
Q988	057G 419513	9JR5700000002	BC847C	1
Q989	057G 419513	9JR5700000002	BC847C	1
Q990	057G 419513	9JR5700000002	BC847C	1
R901	061G1206334 T	9JR6100000372	RST CHIP 330K 1/4W 5%	1
R902	061G1206334 T	9JR6100000372	RST CHIP 330K 1/4W 5%	1

R903	061G1206334 T	9JR6100000372	RST CHIP 330K 1/4W 5%	1
R930	061T 60247552T TZ	9JR6100000376	RST CHIP 4M7 1/6W 5%	1
R931	061T0805104 T	9JR6100000378	RST CHIP 100K 1/8W 5%	1
R932	061T 60210352T TZ	9JR6100000020	RST CFR 10K 1/6W 5%	1
R933	061T1206475 T	9JR6100000397	RST CHIPR 4M7 OHM +5% 1/4W	1
R934	061T1206475 T	9JR6100000397	RST CHIPR 4M7 OHM +5% 1/4W	1
R935	061T1206475 T	9JR6100000397	RST CHIPR 4M7 OHM +5% 1/4W	1
R937	061T 60222052T TZ	9JR6100000375	RST CHIPR 22 OHM +5% 1/6W YAGEO	1
R938	061T 60210152T TZ	9JR6100000374	RST CHIPR 100 OHM +5% 1/6W	1
R939	061T0805222 T	9JR6100000381	RST CHIP 2K2 1/8W 5%	1
R945	061G0805473 T	9JR6100000312	RST CHIP 47K 1/8W 5%	1
R946	061G0805153 T	9JR6100000364	RST CHIP 15K 1/8W 5%	1
R955	061T 60210452T TZ	9JR6100000022	RST CFR 100K 1/6W 5%	1
R956	061T0805333 T	9JR6100000388	RST CHIP 33K 1/8W 5%	1
R957	061T 60233252T TZ	9JR6100000032	RST CFR 3K3 1/6W 5%	1
R958	061G08052702FT	9JR6100000368	RST CHIP 27K 1/8W 1%	1
R959	061G0805224 T	9JR6100000367	RST CHIP 220K 1/8W 5%	1
R960	061T0805331 T	9JR6100000386	RST CHIP 330R 1/8W 5%	1
R961	061T0805473 T	9JR6100000392	RST CHIP 47K 1/8W 5%	1
R962	061T0805331 T	9JR6100000386	RST CHIP 330R 1/8W 5%	1
R963	061T0805473 T	9JR6100000392	RST CHIP 47K 1/8W 5%	1
R964	061T0805271 T	9JR6100000383	RST CHIP 270R 1/8W 5%	1
R966	061T0805182 T	9JR6100000380	RST CHIP 1K8 1/8W 5%	1
R967	061T0805331 T	9JR6100000386	RST CHIP 330R 1/8W 5%	1
R968	061T0805562 T	9JR6100000394	RST CHIP 5K6 1/8W 5%	1
R969	061G1206102 JT	9JR6100000371	RST CHIPR 1KOHM +-5% 1/4W TZAI YUAN	1
R970	061T0805473 T	9JR6100000392	RST CHIP 47K 1/8W 5%	1
R971	061T0805330 T	9JR6100000385	RST CHIP 33R 1/8W 5%	1
R972	061T08053902FT	9JR6100000389	RST CHIP 39K 1/8W 1%	1
R973	061G08052201FT	9JR6100000366	RST CHIP 2K2 1/8W 1%	1
R974	061G1206102 JT	9JR6100000371	RST CHIPR 1KOHM +-5% 1/4W TZAI YUAN	1
R975	061T08055601FT	9JR6100000393	RST CHIP 5K6 1/8W 1%	1
R976	061T0805681 T	9JR6100000395	RST CHIP 680R 1/8W 5%	1
R977	061T0805103 T	9JR6100000377	RST CHIP 10K 1/8W 5%	1
R978	061T0805472 T	9JR6100000391	4K7 OHM +5% 1/8W	1
R979	061T0805472 T	9JR6100000391	4K7 OHM +5% 1/8W	1
R980	061T0805272 T	9JR6100000384	RST CHIP 2K7 1/8W 5%	1
R981	061G08051502FT	9JR6100000363	RST CHIP 15K 1/8W 1%	1
R982	061T0805470 T	9JR6100000390	RST CHIPR 47 OHM +5% 1/8W	1
R983	061T 60247152T TZ	9JR6100000034	RST CFR 470R 1/6W 5%	1
R984	061T0805123 T	9JR6100000379	RST CHIP 12K 1/8W 5%	1
R985	061T0805103 T	9JR6100000377	RST CHIP 10K 1/8W 5%	1
R986	061T0805241 T	9JR6100000382	RST CHIPR 240 OHM +5% 1/8W	1
R987	061T0805682 T	9JR6100000396	RST CHIP 6K8 1/8W 5%	1
R988	061G0805474 T	9JR6100000369	RST CHIP 470K 1/8W 5%	1
R989	061G 60210052T TZ	9JR6100000361	RST CFR 10R 1/6W 5%	1
R990	061G1206100 JT	9JR6100000370	RST CHIPR 10 OHM +-5% 1/4W TZAI YUAN	1
R991	061G08051202FT	9JR6100000362	RST CHIP 12K 1/8W 1%	1
R992	061G08051802FT	9JR6100000365	RST CHIP 18K 1/8W 1%	1
R993	061G08052702FT	9JR6100000368	RST CHIP 27K 1/8W 1%	1
R995	061T0805332 T	9JR6100000387	RST CHIP 3K3 1/8W 5%	1
R998	061T0805103 T	9JR6100000377	RST CHIP 10K 1/8W 5%	1
RV901	061T 46906 W	9JR6100000182	VARISTOR 560V TVR14561KFC4FY	1



RV903	061T 46902	9JR6100000181	VARISTOR 510V TVR14511KFC4FY	1
SG901	062T 10 18 KW	9JR6200000001	SPARK GAP 200V GS41-201MA	1
SG902	062T 10 18 KW	9JR6200000001	SPARK GAP 200V GS41-201MA	1
SG903	062T 10 18 KW	9JR6200000001	SPARK GAP 200V GS41-201MA	1
SG904	062T 10 18 KW	9JR6200000001	SPARK GAP 200V GS41-201MA	1
T901	080TL42T916 L	9JR8000000003	XFMR 950uH PT-009601-3	1
T902	080GL32P951 L	9JR8000000010	XFMR 800uH PT-011979	1
ZD930	093T 3992152T	9JR9300000091	DIODE BZX79-C9V1 DO-35	1
ZD980	093T 3993252T	9JR9300000014	DIODE P6KE160A DO-15	1
ZD981	093T 3990252T	9JR9300000012	DIODE BZX79-C15 DO-35	1
ZD982	093G 3990752T	9JR9300000002	DIO REG BZX79-C5V1 A (PHSE) A	1
<b>1114</b>	<b>KEPF9PA8</b>	<b>9JR9900000030</b>	<b>KEY PCB ASSY</b>	
C016	065G060310422K Y	9JR6500000166	CAP CHIP 0603 100N 25V X7R +/-10%	1
C023	065G060310422K Y	9JR6500000166	CAP CHIP 0603 100N 25V X7R +/-10%	1
C024	065G060310422K Y	9JR6500000166	CAP CHIP 0603 100N 25V X7R +/-10%	1
CN016	033G8032 4F X	9JR3300000037	WAFER 4P 1.25MM	1
R016	061G0603222 T	9JR6100000289	RST CHIP 2K2 1/10W 5%	1
R017	061G0603222 T	9JR6100000289	RST CHIP 2K2 1/10W 5%	1
R018	061T0603471 T	9JR6100000110	RST CHIP 470R 1/10W 5%	1
R019	061T0603562 T	9JR6100000250	RST CHIP 5K6 1/10W 5%	1
R021	061T0603471 T	9JR6100000110	RST CHIP 470R 1/10W 5%	1
R022	061T0603562 T	9JR6100000250	RST CHIP 5K6 1/10W 5%	1
SW016	077G 607 2 FD	9JR7700000003	TACT SW BY FORWARD SFKQGMA2125T-PL	1
SW017	077G 607 2 FD	9JR7700000003	TACT SW BY FORWARD SFKQGMA2125T-PL	1
SW018	077G 607 2 FD	9JR7700000003	TACT SW BY FORWARD SFKQGMA2125T-PL	1
SW019	077G 607 2 FD	9JR7700000003	TACT SW BY FORWARD SFKQGMA2125T-PL	1
SW020	077G 607 2 FD	9JR7700000003	TACT SW BY FORWARD SFKQGMA2125T-PL	1
SW021	077G 607 2 FD	9JR7700000003	TACT SW BY FORWARD SFKQGMA2125T-PL	1
SW022	077G 607 2 FD	9JR7700000003	TACT SW BY FORWARD SFKQGMA2125T-PL	1
<b>1112</b>	<b>IRPF9PB4</b>	<b>9JR9900000029</b>	<b>IR PCB ASSY</b>	
C001	065G0603105A7Z Y	9JR6500000165	CAP CHIP 0603 1U 10V Y5V -20%+80%	1
C003	065G060310437Z Y	9JR6500000164	CAP CHIP 0603 100N 50V Y5V -20%+80%	1
CN001	033G8032 5F X	9JR3300000036	WAFER 5P 1.25MM S1315-05RVB-S01-K	1
LED001	081T 14908 KB	9JR8100000001	LED SM KPB-3025SURKCGKC	1
Q001	057G 419513	9JR5700000002	BC847C	1
Q002	057G 419513	9JR5700000002	BC847C	1
R001	061G0603102 T	9JR6100000286	RST CHIP 1K 1/10W 5%	1
R002	061G0603221 T	9JR6100000288	RST CHIP 220R 1/10W 5%	1
R003	061G0603222 T	9JR6100000289	RST CHIP 2K2 1/10W 5%	1
R004	061G0603222 T	9JR6100000289	RST CHIP 2K2 1/10W 5%	1
R005	061G0603272 T	9JR6100000290	RST CHIP 2K7 1/10W 5%	1
R006	061G0603101 T	9JR6100000285	RST CHIP 100R 1/10W 5%	1
R007	061G0603103 T	9JR6100000287	RST CHIP 10K 1/10W 5%	1
R008	061G0603103 T	9JR6100000287	RST CHIP 10K 1/10W 5%	1
U001	056T 627902	9JR5600000021	IC TSOP34438ST1	1

## SPARE PARTS LIST (LC-32S7E-BK)

Item	SHARP Code	TPV Code	Description	Qty
------	------------	----------	-------------	-----

1185	9JR7800000010	078G0050 2 Y	SPEAKER 16 OHM 5W 850/400mm 135X41mm	1
1172	9JR8900000009	089G204A15NLS1	POWER CORD 1.5M PE8C5Z1B90A-04B	1
1177	9JR9200000005	092GB1JX1A3SGM	BATTERY 1.5V LR03 ALKALINE	2
8806	9JR9500000068	095G801411F909	HARNESS 7P+4P-5P+4P 340mm+800mm 75415	1
8803	9JR9500000069	095G8018 30982 FP	HARNESS 30P-15*2P 320mm 75413	1
1176	9JR9800000003	098GRABD1NESPJ	REMOTE CONTROL RC-GJ2100B-H FOR SHARP	1
77	9JR0100000038	0M1G 130 5120	SCREW	2
96	9JR0100000039	0M1T 140 10120	SCREW M4X10	4
85	9JR0100000001	0M1T 330 6 47 CR3	SCREW	1
99	9JR0100000001	0M1T 330 6 47 CR3	SCREW	1
75	9JR0100000003	0M1T1140 6120	SCREW 4*6MM	6
94	9JR0100000003	0M1T1140 6120	SCREW 4*6MM	6
76	9JR0100000019	0M1T1730 8106 CR3	SCREW	7
95	9JR0100000019	0M1T1730 8106 CR3	SCREW	4
97	9JR0100000031	0M1T1740 12 47	SCREW M4X12	2
98	9JR0100000007	0Q1T 930 8 47 CR3	SCREW	2
86	9JR0100000007	0Q1T 930 8 47 CR3	SCREW	2
63	9JR0100000007	0Q1T 930 8 47 CR3	SCREW	2
23	9JR0100000007	0Q1T 930 8 47 CR3	SCREW	2
102	9JR0100000008	0Q1T 940 12 47 CR3	T4X12 SCREW	3
105	9JR0100000008	0Q1T 940 16 47 CR3	SCREW	12
80	9JR7050000104	705GZ915044	BRACKET_SIDE_IO_ASSY	1
50	9JR7050000069	705GZ934144	STAND ASSY	1
30	9JR7050000105	705GZ934198	BEZEL ASSY	1
40	9JR7050000106	705GZ934199	REAR COVER ASSY	1
	9JR7050000050	705GZ941051	DFU ASSY	1
	9JR7050000051	705GZ941052	DFU ASSY	1
1050	9JR7500000021	750TVA315Z9411Z0SP	PANEL LK315T3LZ94 JP SHARP	1
61	9JR3300000042	A33T0536PAAA1T0100	KEY COVER	1
62	9JR3300000043	A33T0537PAA 1T0100	KEY PAD	1
1054	9JR9900000043	ADTV92415PA2	POWER PCB ASSY	1
1053	9JR9900000044	CBPF93KBP7	MAIN PCB ASSY	1
1112	9JR9900000029	IRPF9PB4	IR PCB ASSY	1
1114	9JR9900000030	KEPF9PA8	KEY PCB ASSY	1
88	9JR0200000001	N02T6008 1	SCREW	2
22	9JR0100000028	P01T0006 1	SCREW (PH+W6#x15 HI-LO W=13)	4
93	9JR1100000001	P11T0020101	COVER_SERVICE	1
21	9JR3400000009	P34T0385PAA 1T0100	NECK	1
126	9JR4000000061	P40G 320843 3A	RATING LABEL	1
130	9JR4000000062	P40G000184322A	CARTON LABEL	1
127	9JR4000000004	P40TA00081328A	FAMILY SHEET- SERVICE	1
503	9JR4000000005	P40TD000813 9A	family sheet	1
516	9JR4000000006	P40TD00081311A	FAMILY SHEET	1
131	9JR4000000022	P40TN00084357A	ITALIAN CAUTION LABEL	1
507	9JR4400000041	P44G6000 1 5A	EMPTY CARTON	1
451	9JR4400000036	P44GJ020101	CUSHION_TL	1
452	9JR4400000037	P44GJ020201	CUSHION_TR	1
453	9JR4400000038	P44GJ020301	CUSHION_BL	1
454	9JR4400000039	P44GJ020401	CUSHION_BR	1
505	9JR4400000042	P44GJ020843 1A	CARTON	1
512	9JR4400000043	P44T9504195	Card board	1

455	9JR4500000006	P45T 46024	PE BAG(950X735x0.72mm)	1
500	9JR4500000004	P45T 77001	LLDPE WRAP	2
300	9JR4500000005	P45T 77512001	INK CARTRIDGE-EP-T	1
103	9JR5000000003	P50T 53001	CABLE TIE	1
457	9JR5200000001	P52T 57002	TAPE S-ADH PP 0.065X75MM CLR	3
456	9JR5200000002	P52T 58002	TAPE ADH CELLOPH 19MM TRP	1
104	9JR5200000009	P52T 58044	INSULATING TAPE(25X50)	3
87	9JR8500000006	P85T0116101	SHIELDING_DTV	1
<b>1053</b>	<b>9JR9900000044</b>	<b>CBPF93KBP7</b>	<b>MAIN PCB ASSY</b>	<b>1</b>
C1109	9JR6500000309	065G040247312K 3	CHIP CAP 47N 16V X7R 10%	1
C1111	9JR6500000235	065G040222031J Y	CAP CHIP 0402 22P 50V NPO +/-5%	1
C1112	9JR6500000233	065G040210412K Y	CAP CHIP 0402 100N 16V X7R +/-10%	1
C1113	9JR6500000233	065G040210412K Y	CAP CHIP 0402 100N 16V X7R +/-10%	1
C1114	9JR6500000309	065G040247312K 3	CHIP CAP 47N 16V X7R 10%	1
C1116	9JR6500000327	065G0805106A5K 3	CHIP 10uF 10V X5R 10%	1
C1121	9JR6500000327	065G0805106A5K 3	CHIP 10uF 10V X5R 10%	1
C1122	9JR6500000231	065G040210312K Y	CAP CHIP 0402 10N 16V X7R +/-10%	1
C1123	9JR6500000327	065G0805106A5K 3	CHIP 10uF 10V X5R 10%	1
C1124	9JR6500000231	065G040210312K Y	CAP CHIP 0402 10N 16V X7R +/-10%	1
C1127	9JR6500000203	065G040247031J Y	CAP CHIP 0402 47pF 50V NPO +/-5%	1
C1128	9JR6500000203	065G040247031J Y	CAP CHIP 0402 47pF 50V NPO +/-5%	1
C1204	9JR6500000309	065G040247312K 3	CHIP CAP 47N 16V X7R 10%	1
C1205	9JR6500000309	065G040247312K 3	CHIP CAP 47N 16V X7R 10%	1
C1206	9JR6500000309	065G040247312K 3	CHIP CAP 47N 16V X7R 10%	1
C1207	9JR6500000225	065G040210232K Y	CAP CHIP 0402 1N 50V X7R +/-10%	1
C1211	9JR6500000309	065G040247312K 3	CHIP CAP 47N 16V X7R 10%	1
C1212	9JR6500000309	065G040247312K 3	CHIP CAP 47N 16V X7R 10%	1
C1213	9JR6500000309	065G040247312K 3	CHIP CAP 47N 16V X7R 10%	1
C1214	9JR6500000225	065G040210232K Y	CAP CHIP 0402 1N 50V X7R +/-10%	1
C1215	9JR6500000233	065G040210412K Y	CAP CHIP 0402 100N 16V X7R +/-10%	1
C1216	9JR6500000233	065G040210412K Y	CAP CHIP 0402 100N 16V X7R +/-10%	1
C1217	9JR6500000233	065G040210412K Y	CAP CHIP 0402 100N 16V X7R +/-10%	1
C1218	9JR6500000233	065G040210412K Y	CAP CHIP 0402 100N 16V X7R +/-10%	1
C1219	9JR6500000233	065G040210412K Y	CAP CHIP 0402 100N 16V X7R +/-10%	1
C1220	9JR6500000233	065G040210412K Y	CAP CHIP 0402 100N 16V X7R +/-10%	1
C1221	9JR6500000203	065G040247031J Y	CAP CHIP 0402 47pF 50V NPO +/-5%	1
C1223	9JR6500000309	065G040247312K 3	CHIP CAP 47N 16V X7R 10%	1
C1224	9JR6500000319	065G040210131J Y	CAP CHIP 0402 100P 50V NPO +/-5%	1
C1225	9JR6500000294	065G060368232K Y	CAP CHIP 0603 6N8 50V X7R +/-10%	1
C1226	9JR6500000294	065G060368232K Y	CAP CHIP 0603 6N8 50V X7R +/-10%	1
C1227	9JR6500000233	065G040210412K Y	CAP CHIP 0402 100N 16V X7R +/-10%	1
C1228	9JR6500000327	065G0805106A5K 3	CHIP 10uF 10V X5R 10%	1
C1229	9JR6700000109	067G215D4713KT	105°C EC 470UF M 16V KINGNICH	1
C1230	9JR6500000203	065G040247031J Y	CAP CHIP 0402 47pF 50V NPO +/-5%	1
C1231	9JR6500000201	065G040222232K Y	CAP CHIP 0402 2N2 50V X7R +/-10%	1
C1232	9JR6500000201	065G040222232K Y	CAP CHIP 0402 2N2 50V X7R +/-10%	1
C1233	9JR6500000165	065G0603105A7Z Y	CAP CHIP 0603 1U 10V Y5V -20%+80%	1
C1234	9JR6500000165	065G0603105A7Z Y	CAP CHIP 0603 1U 10V Y5V -20%+80%	1
C1235	9JR6500000238	065G040233132K Y	CAP CHIP 0402 330P 50V X7R +/-10%	1
C1236	9JR6500000238	065G040233132K Y	CAP CHIP 0402 330P 50V X7R +/-10%	1
C1237	9JR6500000170	065G080510522K Y	CAP CHIP 0805 1UF K 25V X7R	1
C1238	9JR6500000170	065G080510522K Y	CAP CHIP 0805 1UF K 25V X7R	1
C1239	9JR6500000233	065G040210412K Y	CAP CHIP 0402 100N 16V X7R +/-10%	1

C1240	9JR6500000233	065G040210412K Y	CAP CHIP 0402 100N 16V X7R +/-10%	1
C1241	9JR7100000051	067G215Y2212CT	EC 220uF 10V GL 6.3x11mm	1
C1242	9JR6500000237	065G040233031J Y	CAP CHIP 0402 33P 50V NPO +/-5%	1
C1243	9JR6500000237	065G040233031J Y	CAP CHIP 0402 33P 50V NPO +/-5%	1
C1244	9JR6500000310	065G060322517Z 3	CAP CHIP 0603 2U2 16V Y5V -20%+80%	1
C1245	9JR6500000310	065G060322517Z 3	CAP CHIP 0603 2U2 16V Y5V -20%+80%	1
C1246	9JR6500000231	065G040210312K Y	CAP CHIP 0402 10N 16V X7R +/-10%	1
C1247	9JR6500000231	065G040210312K Y	CAP CHIP 0402 10N 16V X7R +/-10%	1
C1248	9JR6500000203	065G040247031J Y	CAP CHIP 0402 47pF 50V NPO +/-5%	1
C1249	9JR6500000203	065G040247031J Y	CAP CHIP 0402 47pF 50V NPO +/-5%	1
C1254	9JR6500000309	065G040247312K 3	CHIP CAP 47N 16V X7R 10%	1
C1255	9JR6500000203	065G040247031J Y	CAP CHIP 0402 47pF 50V NPO +/-5%	1
C1256	9JR6500000309	065G040247312K 3	CHIP CAP 47N 16V X7R 10%	1
C1257	9JR6500000327	065G0805106A5K 3	CHIP 10uF 10V X5R 10%	1
C1259	9JR6500000233	065G040210412K Y	CAP CHIP 0402 100N 16V X7R +/-10%	1
C1260	9JR6500000233	065G040210412K Y	CAP CHIP 0402 100N 16V X7R +/-10%	1
C1401	9JR6500000233	065G040210412K Y	CAP CHIP 0402 100N 16V X7R +/-10%	1
C1402	9JR6500000237	065G040233031J Y	CAP CHIP 0402 33P 50V NPO +/-5%	1
C1403	9JR6500000237	065G040233031J Y	CAP CHIP 0402 33P 50V NPO +/-5%	1
C1405	9JR6500000233	065G040210412K Y	CAP CHIP 0402 100N 16V X7R +/-10%	1
C1406	9JR6500000309	065G040247312K 3	CHIP CAP 47N 16V X7R 10%	1
C1407	9JR6500000309	065G040247312K 3	CHIP CAP 47N 16V X7R 10%	1
C1408	9JR6500000309	065G040247312K 3	CHIP CAP 47N 16V X7R 10%	1
C1409	9JR6500000225	065G040210232K Y	CAP CHIP 0402 1N 50V X7R +/-10%	1
C1410	9JR6500000233	065G040210412K Y	CAP CHIP 0402 100N 16V X7R +/-10%	1
C1411	9JR6500000233	065G040210412K Y	CAP CHIP 0402 100N 16V X7R +/-10%	1
C1412	9JR6500000233	065G040210412K Y	CAP CHIP 0402 100N 16V X7R +/-10%	1
C1509	9JR6500000327	065G0805106A5K 3	CHIP 10uF 10V X5R 10%	1
C1510	9JR6500000233	065G040210412K Y	CAP CHIP 0402 100N 16V X7R +/-10%	1
C1511	9JR6500000233	065G040210412K Y	CAP CHIP 0402 100N 16V X7R +/-10%	1
C1512	9JR6500000233	065G040210412K Y	CAP CHIP 0402 100N 16V X7R +/-10%	1
C1513	9JR6500000233	065G040210412K Y	CAP CHIP 0402 100N 16V X7R +/-10%	1
C1514	9JR6500000233	065G040210412K Y	CAP CHIP 0402 100N 16V X7R +/-10%	1
C1515	9JR6500000233	065G040210412K Y	CAP CHIP 0402 100N 16V X7R +/-10%	1
C1516	9JR6500000233	065G040210412K Y	CAP CHIP 0402 100N 16V X7R +/-10%	1
C1517	9JR6500000233	065G040210412K Y	CAP CHIP 0402 100N 16V X7R +/-10%	1
C1518	9JR6500000233	065G040210412K Y	CAP CHIP 0402 100N 16V X7R +/-10%	1
C1519	9JR6500000233	065G040210412K Y	CAP CHIP 0402 100N 16V X7R +/-10%	1
C1520	9JR6500000233	065G040210412K Y	CAP CHIP 0402 100N 16V X7R +/-10%	1
C1521	9JR6500000233	065G040210412K Y	CAP CHIP 0402 100N 16V X7R +/-10%	1
C1522	9JR6500000233	065G040210412K Y	CAP CHIP 0402 100N 16V X7R +/-10%	1
C1526	9JR6500000319	065G040210131J Y	CAP CHIP 0402 100P 50V NPO +/-5%	1
C1527	9JR6500000233	065G040210412K Y	CAP CHIP 0402 100N 16V X7R +/-10%	1
C1528	9JR6500000233	065G040210412K Y	CAP CHIP 0402 100N 16V X7R +/-10%	1
C1529	9JR6500000319	065G040210131J Y	CAP CHIP 0402 100P 50V NPO +/-5%	1
C1701	9JR6500000235	065G040222031J Y	CAP CHIP 0402 22P 50V NPO +/-5%	1
C1702	9JR6500000329	065G080556131J Y	CAP CHIP 0805 560P 50V NPO +/-5%	1
C1703	9JR6500000165	065G0603105A7Z Y	CAP CHIP 0603 1U 10V Y5V -20%+80%	1
C1704	9JR6500000235	065G040222031J Y	CAP CHIP 0402 22P 50V NPO +/-5%	1
C1705	9JR6500000329	065G080556131J Y	CAP CHIP 0805 560P 50V NPO +/-5%	1
C1706	9JR6500000165	065G0603105A7Z Y	CAP CHIP 0603 1U 10V Y5V -20%+80%	1
C1707	9JR6500000235	065G040222031J Y	CAP CHIP 0402 22P 50V NPO +/-5%	1
C1708	9JR6500000226	065G040256132K Y	CAP CHIP 0402 560P 50V X7R +/-10%	1

C1709	9JR6500000310	065G060322517Z 3	CAP CHIP 0603 2U2 16V Y5V -20%+80%	1
C1710	9JR6500000235	065G040222031J Y	CAP CHIP 0402 22P 50V NPO +/-5%	1
C1711	9JR6500000226	065G040256132K Y	CAP CHIP 0402 560P 50V X7R +/-10%	1
C1712	9JR6500000310	065G060322517Z 3	CAP CHIP 0603 2U2 16V Y5V -20%+80%	1
C1713	9JR6500000235	065G040222031J Y	CAP CHIP 0402 22P 50V NPO +/-5%	1
C1714	9JR6500000329	065G080556131J Y	CAP CHIP 0805 560P 50V NPO +/-5%	1
C1715	9JR6500000165	065G0603105A7Z Y	CAP CHIP 0603 1U 10V Y5V -20%+80%	1
C1716	9JR6500000235	065G040222031J Y	CAP CHIP 0402 22P 50V NPO +/-5%	1
C1717	9JR6500000329	065G080556131J Y	CAP CHIP 0805 560P 50V NPO +/-5%	1
C1718	9JR6500000165	065G0603105A7Z Y	CAP CHIP 0603 1U 10V Y5V -20%+80%	1
C1719	9JR6500000235	065G040222031J Y	CAP CHIP 0402 22P 50V NPO +/-5%	1
C1720	9JR6500000329	065G080556131J Y	CAP CHIP 0805 560P 50V NPO +/-5%	1
C1721	9JR6500000165	065G0603105A7Z Y	CAP CHIP 0603 1U 10V Y5V -20%+80%	1
C1722	9JR6500000235	065G040222031J Y	CAP CHIP 0402 22P 50V NPO +/-5%	1
C1723	9JR6500000329	065G080556131J Y	CAP CHIP 0805 560P 50V NPO +/-5%	1
C1724	9JR6500000165	065G0603105A7Z Y	CAP CHIP 0603 1U 10V Y5V -20%+80%	1
C1737	9JR6500000235	065G040222031J Y	CAP CHIP 0402 22P 50V NPO +/-5%	1
C1738	9JR6500000235	065G040222031J Y	CAP CHIP 0402 22P 50V NPO +/-5%	1
C1741	9JR6500000327	065G0805106A5K 3	CHIP 10uF 10V X5R 10%	1
C1742	9JR6500000233	065G040210412K Y	CAP CHIP 0402 100N 16V X7R +/-10%	1
C1743	9JR6500000327	065G0805106A5K 3	CHIP 10uF 10V X5R 10%	1
C1747	9JR6500000165	065G0603105A7Z Y	CAP CHIP 0603 1U 10V Y5V -20%+80%	1
C1748	9JR6500000165	065G0603105A7Z Y	CAP CHIP 0603 1U 10V Y5V -20%+80%	1
C1749	9JR6500000165	065G0603105A7Z Y	CAP CHIP 0603 1U 10V Y5V -20%+80%	1
C1750	9JR6500000165	065G0603105A7Z Y	CAP CHIP 0603 1U 10V Y5V -20%+80%	1
C1752	9JR6500000226	065G040256132K Y	CAP CHIP 0402 560P 50V X7R +/-10%	1
C1753	9JR6500000226	065G040256132K Y	CAP CHIP 0402 560P 50V X7R +/-10%	1
C1801	9JR6500000233	065G040210412K Y	CAP CHIP 0402 100N 16V X7R +/-10%	1
C1802	9JR6500000233	065G040210412K Y	CAP CHIP 0402 100N 16V X7R +/-10%	1
C1803	9JR6700000162	067G 3051012ET	EC 100uF 10V RGA 5x11mm	1
C1805	9JR6500000327	065G0805106A5K 3	CHIP 10uF 10V X5R 10%	1
C1806	9JR6500000233	065G040210412K Y	CAP CHIP 0402 100N 16V X7R +/-10%	1
C1807	9JR6500000233	065G040210412K Y	CAP CHIP 0402 100N 16V X7R +/-10%	1
C1808	9JR6500000325	065G060347931C Y	CAP CHIP 0603 4P7 50V NPO +/-0.25PF	1
C1809	9JR6500000325	065G060347931C Y	CAP CHIP 0603 4P7 50V NPO +/-0.25PF	1
C1811	9JR6700000162	067G 3051012ET	EC 100uF 10V RGA 5x11mm	1
C1901	9JR6500000203	065G040247031J Y	CAP CHIP 0402 47pF 50V NPO +/-5%	1
C1902	9JR6500000203	065G040247031J Y	CAP CHIP 0402 47pF 50V NPO +/-5%	1
C1908	9JR6500000309	065G040247312K 3	CHIP CAP 47N 16V X7R 10%	1
C1912	9JR6500000233	065G040210412K Y	CAP CHIP 0402 100N 16V X7R +/-10%	1
C1913	9JR6500000203	065G040247031J Y	CAP CHIP 0402 47pF 50V NPO +/-5%	1
C1915	9JR6700000161	067G 3051007ET	EC 10uF 50V RGA 5x11 mm	1
C1916	9JR6500000233	065G040210412K Y	CAP CHIP 0402 100N 16V X7R +/-10%	1
C1917	9JR6500000327	065G0805106A5K 3	CHIP 10uF 10V X5R 10%	1
C1918	9JR6500000310	065G060322517Z 3	CAP CHIP 0603 2U2 16V Y5V -20%+80%	1
C1919	9JR6500000310	065G060322517Z 3	CAP CHIP 0603 2U2 16V Y5V -20%+80%	1
C1920	9JR7100000051	067G215Y2212CT	EC 220uF 10V GL 6.3x11mm	1
C1921	9JR6500000233	065G040210412K Y	CAP CHIP 0402 100N 16V X7R +/-10%	1
C1922	9JR6500000233	065G040210412K Y	CAP CHIP 0402 100N 16V X7R +/-10%	1
C1923	9JR6500000237	065G040233031J Y	CAP CHIP 0402 33P 50V NPO +/-5%	1
C1924	9JR6500000237	065G040233031J Y	CAP CHIP 0402 33P 50V NPO +/-5%	1
C1925	9JR6500000170	065G080510522K Y	CAP CHIP 0805 1UF K 25V X7R	1
C1926	9JR6500000170	065G080510522K Y	CAP CHIP 0805 1UF K 25V X7R	1

C1927	9JR650000238	065G040233132K Y	CAP CHIP 0402 330P 50V X7R +/-10%	1
C1928	9JR650000238	065G040233132K Y	CAP CHIP 0402 330P 50V X7R +/-10%	1
C1929	9JR650000165	065G0603105A7Z Y	CAP CHIP 0603 1U 10V Y5V -20%+80%	1
C1930	9JR650000165	065G0603105A7Z Y	CAP CHIP 0603 1U 10V Y5V -20%+80%	1
C1931	9JR650000201	065G040222232K Y	CAP CHIP 0402 2N2 50V X7R +/-10%	1
C1932	9JR650000201	065G040222232K Y	CAP CHIP 0402 2N2 50V X7R +/-10%	1
C1948	9JR650000203	065G040247031J Y	CAP CHIP 0402 47pF 50V NPO +/-5%	1
C1949	9JR650000203	065G040247031J Y	CAP CHIP 0402 47pF 50V NPO +/-5%	1
C1951	9JR650000233	065G040210412K Y	CAP CHIP 0402 100N 16V X7R +/-10%	1
C1952	9JR650000233	065G040210412K Y	CAP CHIP 0402 100N 16V X7R +/-10%	1
C1953	9JR650000233	065G040210412K Y	CAP CHIP 0402 100N 16V X7R +/-10%	1
C1955	9JR650000231	065G040210312K Y	CAP CHIP 0402 10N 16V X7R +/-10%	1
C1962	9JR650000231	065G040210312K Y	CAP CHIP 0402 10N 16V X7R +/-10%	1
C1963	9JR650000203	065G040247031J Y	CAP CHIP 0402 47pF 50V NPO +/-5%	1
C1966	9JR650000233	065G040210412K Y	CAP CHIP 0402 100N 16V X7R +/-10%	1
C4101	9JR650000327	065G0805106A5K 3	CHIP 10uF 10V X5R 10%	1
C4102	9JR650000233	065G040210412K Y	CAP CHIP 0402 100N 16V X7R +/-10%	1
C4103	9JR650000235	065G040222031J Y	CAP CHIP 0402 22P 50V NPO +/-5%	1
C4104	9JR650000235	065G040222031J Y	CAP CHIP 0402 22P 50V NPO +/-5%	1
C4105	9JR650000235	065G040222031J Y	CAP CHIP 0402 22P 50V NPO +/-5%	1
C4106	9JR650000319	065G040210131J Y	CAP CHIP 0402 100P 50V NPO +/-5%	1
C4108	9JR650000233	065G040210412K Y	CAP CHIP 0402 100N 16V X7R +/-10%	1
C4201	9JR650000282	065G120610612K 3	CHIP 10uF 16V X7R 10%	1
C4202	9JR650000233	065G040210412K Y	CAP CHIP 0402 100N 16V X7R +/-10%	1
C4203	9JR650000233	065G040210412K Y	CAP CHIP 0402 100N 16V X7R +/-10%	1
C4204	9JR650000233	065G040210412K Y	CAP CHIP 0402 100N 16V X7R +/-10%	1
C4205	9JR650000233	065G040210412K Y	CAP CHIP 0402 100N 16V X7R +/-10%	1
C4206	9JR650000282	065G120610612K 3	CHIP 10uF 16V X7R 10%	1
C4207	9JR650000233	065G040210412K Y	CAP CHIP 0402 100N 16V X7R +/-10%	1
C4208	9JR650000282	065G120610612K 3	CHIP 10uF 16V X7R 10%	1
C4209	9JR650000233	065G040210412K Y	CAP CHIP 0402 100N 16V X7R +/-10%	1
C4210	9JR650000233	065G040210412K Y	CAP CHIP 0402 100N 16V X7R +/-10%	1
C4211	9JR650000233	065G040210412K Y	CAP CHIP 0402 100N 16V X7R +/-10%	1
C4212	9JR650000233	065G040210412K Y	CAP CHIP 0402 100N 16V X7R +/-10%	1
C4213	9JR650000233	065G040210412K Y	CAP CHIP 0402 100N 16V X7R +/-10%	1
C4214	9JR650000233	065G040210412K Y	CAP CHIP 0402 100N 16V X7R +/-10%	1
C4215	9JR650000233	065G040210412K Y	CAP CHIP 0402 100N 16V X7R +/-10%	1
C4216	9JR650000282	065G120610612K 3	CHIP 10uF 16V X7R 10%	1
C4217	9JR650000233	065G040210412K Y	CAP CHIP 0402 100N 16V X7R +/-10%	1
C4218	9JR650000233	065G040210412K Y	CAP CHIP 0402 100N 16V X7R +/-10%	1
C4219	9JR650000233	065G040210412K Y	CAP CHIP 0402 100N 16V X7R +/-10%	1
C4220	9JR650000233	065G040210412K Y	CAP CHIP 0402 100N 16V X7R +/-10%	1
C4221	9JR650000233	065G040210412K Y	CAP CHIP 0402 100N 16V X7R +/-10%	1
C4222	9JR650000282	065G120610612K 3	CHIP 10uF 16V X7R 10%	1
C4223	9JR650000233	065G040210412K Y	CAP CHIP 0402 100N 16V X7R +/-10%	1
C4224	9JR650000282	065G120610612K 3	CHIP 10uF 16V X7R 10%	1
C4225	9JR650000233	065G040210412K Y	CAP CHIP 0402 100N 16V X7R +/-10%	1
C4226	9JR650000282	065G120610612K 3	CHIP 10uF 16V X7R 10%	1
C4227	9JR650000233	065G040210412K Y	CAP CHIP 0402 100N 16V X7R +/-10%	1
C4228	9JR650000282	065G120610612K 3	CHIP 10uF 16V X7R 10%	1
C4229	9JR650000233	065G040210412K Y	CAP CHIP 0402 100N 16V X7R +/-10%	1
C4230	9JR650000319	065G040210131J Y	CAP CHIP 0402 100P 50V NPO +/-5%	1
C4231	9JR650000327	065G0805106A5K 3	CHIP 10uF 10V X5R 10%	1

C4232	9JR650000233	065G040210412K Y	CAP CHIP 0402 100N 16V X7R +/-10%	1
C4233	9JR6500000319	065G040210131J Y	CAP CHIP 0402 100P 50V NPO +/-5%	1
C4234	9JR6500000282	065G120610612K 3	CHIP 10uF 16V X7R 10%	1
C4235	9JR6500000233	065G040210412K Y	CAP CHIP 0402 100N 16V X7R +/-10%	1
C4236	9JR6500000319	065G040210131J Y	CAP CHIP 0402 100P 50V NPO +/-5%	1
C4237	9JR6500000327	065G0805106A5K 3	CHIP 10uF 10V X5R 10%	1
C4238	9JR6500000233	065G040210412K Y	CAP CHIP 0402 100N 16V X7R +/-10%	1
C4239	9JR6500000233	065G040210412K Y	CAP CHIP 0402 100N 16V X7R +/-10%	1
C4240	9JR6500000233	065G040210412K Y	CAP CHIP 0402 100N 16V X7R +/-10%	1
C4241	9JR6500000233	065G040210412K Y	CAP CHIP 0402 100N 16V X7R +/-10%	1
C4242	9JR6500000233	065G040210412K Y	CAP CHIP 0402 100N 16V X7R +/-10%	1
C4243	9JR6500000233	065G040210412K Y	CAP CHIP 0402 100N 16V X7R +/-10%	1
C4244	9JR6500000233	065G040210412K Y	CAP CHIP 0402 100N 16V X7R +/-10%	1
C4245	9JR6500000225	065G040210232K Y	CAP CHIP 0402 1N 50V X7R +/-10%	1
C4246	9JR6500000233	065G040210412K Y	CAP CHIP 0402 100N 16V X7R +/-10%	1
C4248	9JR6500000323	065G060327031J Y	CAP CHIP 0603 27P 50V NPO +/-5%	1
C4249	9JR6500000323	065G060327031J Y	CAP CHIP 0603 27P 50V NPO +/-5%	1
C4250	9JR6500000233	065G040210412K Y	CAP CHIP 0402 100N 16V X7R +/-10%	1
C4251	9JR6500000233	065G040210412K Y	CAP CHIP 0402 100N 16V X7R +/-10%	1
C4252	9JR6500000233	065G040210412K Y	CAP CHIP 0402 100N 16V X7R +/-10%	1
C4254	9JR6500000233	065G040210412K Y	CAP CHIP 0402 100N 16V X7R +/-10%	1
C4255	9JR6500000233	065G040210412K Y	CAP CHIP 0402 100N 16V X7R +/-10%	1
C4256	9JR6500000233	065G040210412K Y	CAP CHIP 0402 100N 16V X7R +/-10%	1
C4258	9JR6500000233	065G040210412K Y	CAP CHIP 0402 100N 16V X7R +/-10%	1
C4259	9JR6500000233	065G040210412K Y	CAP CHIP 0402 100N 16V X7R +/-10%	1
C4260	9JR6500000233	065G040210412K Y	CAP CHIP 0402 100N 16V X7R +/-10%	1
C4261	9JR6500000327	065G0805106A5K 3	CHIP 10uF 10V X5R 10%	1
C4262	9JR6500000165	065G0603105A7Z Y	CAP CHIP 0603 1U 10V Y5V -20%+80%	1
C4263	9JR6500000207	065G0805475A2K 3	CAP CHIP 4.7UF 10V X7R +/- 10%	1
C4271	9JR6500000233	065G040210412K Y	CAP CHIP 0402 100N 16V X7R +/-10%	1
C4401	9JR6500000282	065G120610612K 3	CHIP 10uF 16V X7R 10%	1
C4402	9JR6500000233	065G040210412K Y	CAP CHIP 0402 100N 16V X7R +/-10%	1
C4403	9JR6500000233	065G040210412K Y	CAP CHIP 0402 100N 16V X7R +/-10%	1
C4404	9JR6500000233	065G040210412K Y	CAP CHIP 0402 100N 16V X7R +/-10%	1
C4405	9JR6500000233	065G040210412K Y	CAP CHIP 0402 100N 16V X7R +/-10%	1
C4406	9JR6500000233	065G040210412K Y	CAP CHIP 0402 100N 16V X7R +/-10%	1
C4407	9JR6500000233	065G040210412K Y	CAP CHIP 0402 100N 16V X7R +/-10%	1
C4408	9JR6500000233	065G040210412K Y	CAP CHIP 0402 100N 16V X7R +/-10%	1
C4409	9JR6500000233	065G040210412K Y	CAP CHIP 0402 100N 16V X7R +/-10%	1
C4410	9JR6500000233	065G040210412K Y	CAP CHIP 0402 100N 16V X7R +/-10%	1
C4411	9JR6500000225	065G040210232K Y	CAP CHIP 0402 1N 50V X7R +/-10%	1
C4412	9JR6500000233	065G040210412K Y	CAP CHIP 0402 100N 16V X7R +/-10%	1
C4413	9JR6500000233	065G040210412K Y	CAP CHIP 0402 100N 16V X7R +/-10%	1
C4414	9JR6500000233	065G040210412K Y	CAP CHIP 0402 100N 16V X7R +/-10%	1
C4415	9JR6500000207	065G0805475A2K 3	CAP CHIP 4.7UF 10V X7R +/- 10%	1
C4416	9JR6500000231	065G040210312K Y	CAP CHIP 0402 10N 16V X7R +/-10%	1
C4417	9JR6500000231	065G040210312K Y	CAP CHIP 0402 10N 16V X7R +/-10%	1
C4418	9JR6500000207	065G0805475A2K 3	CAP CHIP 4.7UF 10V X7R +/- 10%	1
C6101	9JR6500000316	065G080547437Z Y	CAP CHIP 0805 0.47UF Z 50V Y5V	1
C6102	9JR6500000164	065G060310437Z Y	CAP CHIP 0603 100N 50V Y5V -20%+80%	1
C6103	9JR6700000118	067G 315220 7K	EC CAP 105 度 22UF M 50V ELITE	1
C6104	9JR6500000231	065G040210312K Y	CAP CHIP 0402 10N 16V X7R +/-10%	1
C6105	9JR6500000231	065G040210312K Y	CAP CHIP 0402 10N 16V X7R +/-10%	1

C6106	9JR6500000328	065G080522512K 3	CAP CHIP 0805 2U2 16V X7R +/-10%	1
C6107	9JR6500000328	065G080522512K 3	CAP CHIP 0805 2U2 16V X7R +/-10%	1
C6108	9JR6500000238	065G040233132K Y	CAP CHIP 0402 330P 50V X7R +/-10%	1
C6109	9JR6500000238	065G040233132K Y	CAP CHIP 0402 330P 50V X7R +/-10%	1
C6110	9JR6500000170	065G080510522K Y	CAP CHIP 0805 1UF K 25V X7R	1
C6111	9JR6500000170	065G080510522K Y	CAP CHIP 0805 1UF K 25V X7R	1
C6112	9JR6500000237	065G040233031J Y	CAP CHIP 0402 33P 50V NPO +/-5%	1
C6113	9JR6500000237	065G040233031J Y	CAP CHIP 0402 33P 50V NPO +/-5%	1
C6114	9JR6500000233	065G040210412K Y	CAP CHIP 0402 100N 16V X7R +/-10%	1
C6115	9JR6500000233	065G040210412K Y	CAP CHIP 0402 100N 16V X7R +/-10%	1
C6116	9JR7100000051	067G215Y2212CT	EC 220uF 10V GL 6.3x11mm	1
C6117	9JR6500000204	065G060310512K 3	MLCC 0603 CAP 1uF K 16V X7R	1
C6118	9JR6500000204	065G060310512K 3	MLCC 0603 CAP 1uF K 16V X7R	1
C6119	9JR6500000170	065G080510522K Y	CAP CHIP 0805 1UF K 25V X7R	1
C6120	9JR6500000170	065G080510522K Y	CAP CHIP 0805 1UF K 25V X7R	1
C6121	9JR7100000046	067G 3054716ET	EC 470uF 35V RGA 10x16mm	1
C6122	9JR6700000163	067G 305471 7C	EC 470uF 50V KM 10x20mm	1
C6123	9JR6500000168	065G080510432K Y	CAP CHIP 0805 100N 50V X7R +/-10%	1
C6124	9JR6500000168	065G080510432K Y	CAP CHIP 0805 100N 50V X7R +/-10%	1
C6125	9JR6500000322	065G060322422K 3	CAP CHIP 0603 220N 25V X7R +/-10%	1
C6126	9JR6500000322	065G060322422K 3	CAP CHIP 0603 220N 25V X7R +/-10%	1
C6127	9JR6700000160	067G 2154714CT	EC 470uF 25V GF 10x12mm	1
C6128	9JR6500000168	065G080510432K Y	CAP CHIP 0805 100N 50V X7R +/-10%	1
C6129	9JR7100000048	067G 5154707CT	EC 47UF 50V GF 6.3*11mm	1
C6130	9JR6700000160	067G 2154714CT	EC 470uF 25V GF 10x12mm	1
C6132	9JR6500000231	065G040210312K Y	CAP CHIP 0402 10N 16V X7R +/-10%	1
C6133	9JR6500000231	065G040210312K Y	CAP CHIP 0402 10N 16V X7R +/-10%	1
C6134	9JR6500000170	065G080510522K Y	CAP CHIP 0805 1UF K 25V X7R	1
C6135	9JR6500000170	065G080510522K Y	CAP CHIP 0805 1UF K 25V X7R	1
C6137	9JR6500000238	065G040233132K Y	CAP CHIP 0402 330P 50V X7R +/-10%	1
C6138	9JR6500000238	065G040233132K Y	CAP CHIP 0402 330P 50V X7R +/-10%	1
C6139	9JR6500000170	065G080510522K Y	CAP CHIP 0805 1UF K 25V X7R	1
C6140	9JR6500000170	065G080510522K Y	CAP CHIP 0805 1UF K 25V X7R	1
C6141	9JR6500000233	065G040210412K Y	CAP CHIP 0402 100N 16V X7R +/-10%	1
C6142	9JR6500000233	065G040210412K Y	CAP CHIP 0402 100N 16V X7R +/-10%	1
C6143	9JR7100000051	067G215Y2212CT	EC 220uF 10V GL 6.3x11mm	1
C6144	9JR6500000237	065G040233031J Y	CAP CHIP 0402 33P 50V NPO +/-5%	1
C6145	9JR6500000237	065G040233031J Y	CAP CHIP 0402 33P 50V NPO +/-5%	1
C6146	9JR6500000202	065G040222312K Y	CAP CHIP 0402 22N 16V X7R +/-10%	1
C6147	9JR6500000202	065G040222312K Y	CAP CHIP 0402 22N 16V X7R +/-10%	1
C6148	9JR6500000164	065G060310437Z Y	CAP CHIP 0603 100N 50V Y5V -20%+80%	1
C6149	9JR6500000227	065G120647437Z Y	CAP CHIP 1206 470nF 50V Y5V Z	1
C6150	9JR6500000227	065G120647437Z Y	CAP CHIP 1206 470nF 50V Y5V Z	1
C6151	9JR6500000200	065G040222132K Y	CAP CHIP 0402 220pF 50V X7R +/-10%	1
C7101	9JR6700000121	067G 3054704CT	EC 47uF 25V KM 5x11mm	1
C7102	9JR6700000121	067G 3054704CT	EC 47uF 25V KM 5x11mm	1
C7103	9JR6500000233	065G040210412K Y	CAP CHIP 0402 100N 16V X7R +/-10%	1
C7104	9JR6500000207	065G0805475A2K 3	CAP CHIP 4.7UF 10V X7R +/- 10%	1
C7105	9JR6500000327	065G0805106A5K 3	CHIP 10uF 10V X5R 10%	1
C7106	9JR6500000233	065G040210412K Y	CAP CHIP 0402 100N 16V X7R +/-10%	1
C7107	9JR7100000050	067G215Y1014KT	EC CAP.105	1
C7110	9JR6500000205	065G080522422K Y	CAP CHIP 0805 220N 25V X7R -/+ 10%	1
C7111	9JR6500000251	065G060310432K Y	CAP CHIP 0603 0.1UF K 50V X7R	1



C7113	9JR6500000233	065G040210412K Y	CAP CHIP 0402 100N 16V X7R +/-10%	1
C7114	9JR6500000233	065G040210412K Y	CAP CHIP 0402 100N 16V X7R +/-10%	1
C7117	9JR6500000282	065G120610612K 3	CHIP 10uF 16V X7R 10%	1
C7118	9JR6500000233	065G040210412K Y	CAP CHIP 0402 100N 16V X7R +/-10%	1
C7119	9JR6500000327	065G0805106A5K 3	CHIP 10uF 10V X5R 10%	1
C7120	9JR6500000261	065G060333312K Y	CAP CHIP 0603 33N 16V X7R +/-10%	1
C7121	9JR6500000321	065G060322412K Y	CAP CHIP 0603 220N 16V X7R 10%	1
C7122	9JR6500000177	065G060322131J Y	CAP CHIP 0603 220P 50V NPO +/-5%	1
C7123	9JR6500000258	065G060322232K Y	CAP CHIP 0603 2N2 50V X7R +/-10%	1
C7124	9JR6500000206	065G080533132K Y	CAP CHIP 0805 330PF K 50V X7R	1
C7125	9JR6500000282	065G120610612K 3	CHIP 10uF 16V X7R 10%	1
C7126	9JR7100000051	067G215Y2212CT	EC 220uF 10V GL 6.3x11mm	1
C7127	9JR7100000051	067G215Y2212CT	EC 220uF 10V GL 6.3x11mm	1
C7129	9JR7100000047	067G 3152214KT	EC 220UF 25V ED 8*12mm	1
C7131	9JR6500000233	065G040210412K Y	CAP CHIP 0402 100N 16V X7R +/-10%	1
C7132	9JR6700000161	067G 3051007ET	EC 10uF 50V RGA 5x11 mm	1
C7133	9JR6500000233	065G040210412K Y	CAP CHIP 0402 100N 16V X7R +/-10%	1
C7134	9JR6700000162	067G 3051012ET	EC 100uF 10V RGA 5x11mm	1
C7136	9JR7100000046	067G 3054716ET	EC 470uF 35V RGA 10x16mm	1
C7137	9JR6500000320	065G060322312K Y	CAP CHIP 0603 22N 16V X7R +/-10%	1
C7138	9JR6500000177	065G060322131J Y	CAP CHIP 0603 220P 50V NPO +/-5%	1
C7139	9JR6500000258	065G060322232K Y	CAP CHIP 0603 2N2 50V X7R +/-10%	1
C7140	9JR6500000324	065G060333132K Y	CAP CHIP 0603 330PF K 50V X7R	1
C7141	9JR6500000321	065G060322412K Y	CAP CHIP 0603 220N 16V X7R 10%	1
C7143	9JR6700000162	067G 3051012ET	EC 100uF 10V RGA 5x11mm	1
C7156	9JR6700000161	067G 3051007ET	EC 10uF 50V RGA 5x11 mm	1
C7157	9JR6500000233	065G040210412K Y	CAP CHIP 0402 100N 16V X7R +/-10%	1
C7158	9JR6500000282	065G120610612K 3	CHIP 10uF 16V X7R 10%	1
C7159	9JR6500000233	065G040210412K Y	CAP CHIP 0402 100N 16V X7R +/-10%	1
C7160	9JR6500000233	065G040210412K Y	CAP CHIP 0402 100N 16V X7R +/-10%	1
C7161	9JR6700000161	067G 3051007ET	EC 10uF 50V RGA 5x11 mm	1
C7162	9JR6700000134	067G215Y1013KT	LOW ESR EC 100uF 16V 6.3*11mm	1
C7163	9JR6500000233	065G040210412K Y	CAP CHIP 0402 100N 16V X7R +/-10%	1
C7164	9JR6500000233	065G040210412K Y	CAP CHIP 0402 100N 16V X7R +/-10%	1
C7201	9JR6500000326	065G080510527Z Y	CAP CHIP 0805 1U 25V Y5V -20%+80%	1
C7204	9JR6500000164	065G060310437Z Y	CAP CHIP 0603 100N 50V Y5V -20%+80%	1
C7206	9JR6500000164	065G060310437Z Y	CAP CHIP 0603 100N 50V Y5V -20%+80%	1
C7207	9JR6700000160	067G 2154714CT	EC 470uF 25V GF 10x12mm	1
C7209	9JR6500000164	065G060310437Z Y	CAP CHIP 0603 100N 50V Y5V -20%+80%	1
C7210	9JR6700000163	067G 305471 7C	EC 470uF 50V KM 10x20mm	1
C7212	9JR6500000164	065G060310437Z Y	CAP CHIP 0603 100N 50V Y5V -20%+80%	1
C7213	9JR7100000045	067G 3052214CT	EC 220UF/25V KM 8*11mm	1
C7301	9JR6500000233	065G040210412K Y	CAP CHIP 0402 100N 16V X7R +/-10%	1
C7302	9JR6500000233	065G040210412K Y	CAP CHIP 0402 100N 16V X7R +/-10%	1
C7304	9JR6500000237	065G040233031J Y	CAP CHIP 0402 33P 50V NPO +/-5%	1
C7306	9JR6500000233	065G040210412K Y	CAP CHIP 0402 100N 16V X7R +/-10%	1
CN1201	9JR8800000031	088G 78 13942 C	RCA JACK 1*5 G/B/R/W/R AV5-8.4-02-01	1
CN1204	9JR8800000069	088G302A12 YG	PHONE JACK 3.5mm 7P BLACK 2SJ1508-001111	1
CN1205	9JR8800000047	088G 78 13938 YG	RCA JACK 1*3 Y/W/R V/A RCA-346D-03	1
CN1206	9JR8800000030	088G 78 13934 C	RCA JACK 1*3 Y/W/R AV3-8.4-13-1	1
CN1401	9JR8800000068	088G 35315FVSC	D-SUB 15PIN VERTICAL CONN WITH SCREW	1
CN1501	9JR8800000067	088G 340A19 YG	HDMI HEADER 19P HDMI-003	1
CN1601	9JR8800000041	088G 34019E VD	HDMI HEADER 19P HDM24A-19BM4YN10	1

CN1703	9JR8800000063	088G 302A17 YG	PHONE JACK 3.5mm 3P V/T GREEN	1
CN1801	9JR8800000043	088G 352 2 YG	USB CONNECTOR USB4-01	1
CN1901	9JR8800000066	088G 35521U YG	SCART CONN. 21P V/T RC-2119	1
CN1902	9JR8800000066	088G 35521U YG	SCART CONN. 21P V/T RC-2119	1
CN6101	9JR3300000060	033G3802 4B Y	CONNECTOR	1
CN7201	9JR3300000062	033G380212B Y	WAFER	1
CN7301	9JR3300000060	033G3802 4B Y	CONNECTOR	1
CN7306	9JR3300000064	033G3802 7B Y	CONNECTOR 7P 2.0 DIP	1
CN7503	9JR3300000065	033G8033 30 X	CON. V 2*15P M 1.25 SM S1312-30SVA-1R	1
D1201	9JR9300000077	093G 39S925 T	DIODE AOZ8212CI-05L SOT-23	1
D1202	9JR9300000077	093G 39S925 T	DIODE AOZ8212CI-05L SOT-23	1
D1203	9JR9300000061	093G 64S522SEM	LL4148	1
D1204	9JR9300000077	093G 39S925 T	DIODE AOZ8212CI-05L SOT-23	1
D1205	9JR9300000077	093G 39S925 T	DIODE AOZ8212CI-05L SOT-23	1
D1206	9JR9300000077	093G 39S925 T	DIODE AOZ8212CI-05L SOT-23	1
D1207	9JR9300000061	093G 64S522SEM	LL4148	1
D1208	9JR9300000077	093G 39S925 T	DIODE AOZ8212CI-05L SOT-23	1
D1210	9JR9300000077	093G 39S925 T	DIODE AOZ8212CI-05L SOT-23	1
D1211	9JR9300000077	093G 39S925 T	DIODE AOZ8212CI-05L SOT-23	1
D1401	9JR9300000134	093G 60505	DIO SIG SM BAT54C(PHSE)R	1
D1402	9JR9300000077	093G 39S925 T	DIODE AOZ8212CI-05L SOT-23	1
D1403	9JR9300000077	093G 39S925 T	DIODE AOZ8212CI-05L SOT-23	1
D1404	9JR9300000077	093G 39S925 T	DIODE AOZ8212CI-05L SOT-23	1
D1501	9JR9300000134	093G 60505	DIO SIG SM BAT54C(PHSE)R	1
D1503	9JR9300000134	093G 60505	DIO SIG SM BAT54C(PHSE)R	1
D1504	9JR9300000134	093G 60505	DIO SIG SM BAT54C(PHSE)R	1
D1505	9JR9300000134	093G 60505	DIO SIG SM BAT54C(PHSE)R	1
D1506	9JR9300000061	093G 64S522SEM	LL4148	1
D1601	9JR9300000134	093G 60505	DIO SIG SM BAT54C(PHSE)R	1
D1602	9JR9300000061	093G 64S522SEM	LL4148	1
D1905	9JR9300000077	093G 39S925 T	DIODE AOZ8212CI-05L SOT-23	1
D1906	9JR9300000077	093G 39S925 T	DIODE AOZ8212CI-05L SOT-23	1
D1907	9JR9300000077	093G 39S925 T	DIODE AOZ8212CI-05L SOT-23	1
D1908	9JR9300000077	093G 39S925 T	DIODE AOZ8212CI-05L SOT-23	1
D1918	9JR9300000077	093G 39S925 T	DIODE AOZ8212CI-05L SOT-23	1
D7101	9JR9300000080	093G1020 PH	DIODE S1D-E3 VISHAY	1
D7102	9JR9300000061	093G 64S522SEM	LL4148	1
D7104	9JR9300000061	093G 64S522SEM	LL4148	1
D7105	9JR9300000061	093G 64S522SEM	LL4148	1
FB1102	9JR7100000052	071G 56121 TA	IND FXD 0805 EMI 100MHZ 120R R	1
FB1103	9JR7100000052	071G 56121 TA	IND FXD 0805 EMI 100MHZ 120R R	1
FB1201	9JR7100000054	071G 59K300 TA	CHIP BEAD 0603 30R/700mA TAI-TECH	1
FB1202	9JR7100000054	071G 59K300 TA	CHIP BEAD 0603 30R/700mA TAI-TECH	1
FB1203	9JR7100000054	071G 59K300 TA	CHIP BEAD 0603 30R/700mA TAI-TECH	1
FB1204	9JR7100000054	071G 59K300 TA	CHIP BEAD 0603 30R/700mA TAI-TECH	1
FB1205	9JR7100000054	071G 59K300 TA	CHIP BEAD 0603 30R/700mA TAI-TECH	1
FB1206	9JR7100000054	071G 59K300 TA	CHIP BEAD 0603 30R/700mA TAI-TECH	1
FB1207	9JR7100000054	071G 59K300 TA	CHIP BEAD 0603 30R/700mA TAI-TECH	1
FB1208	9JR7100000031	071G 59A121 TA	CHIP BEAD 120R/3000mA HCB1608KF-121T30	1
FB1209	9JR7100000031	071G 59A121 TA	CHIP BEAD 120R/3000mA HCB1608KF-121T30	1
FB1210	9JR7100000052	071G 56121 TA	IND FXD 0805 EMI 100MHZ 120R R	1
FB1228	9JR7100000054	071G 59K300 TA	CHIP BEAD 0603 30R/700mA TAI-TECH	1
FB1229	9JR7100000054	071G 59K300 TA	CHIP BEAD 0603 30R/700mA TAI-TECH	1

FB1401	9JR7100000052	071G 56121 TA	IND FXD 0805 EMI 100MHZ 120R R	1
FB1402	9JR7100000054	071G 59K300 TA	CHIP BEAD 0603 30R/700mA TAI-TECH	1
FB1403	9JR7100000054	071G 59K300 TA	CHIP BEAD 0603 30R/700mA TAI-TECH	1
FB1404	9JR7100000054	071G 59K300 TA	CHIP BEAD 0603 30R/700mA TAI-TECH	1
FB1501	9JR7100000052	071G 56121 TA	IND FXD 0805 EMI 100MHZ 120R R	1
FB1503	9JR7100000052	071G 56121 TA	IND FXD 0805 EMI 100MHZ 120R R	1
FB1601	9JR7100000031	071G 59A121 TA	CHIP BEAD 120R/3000mA HCB1608KF-121T30	1
FB1701	9JR7100000031	071G 59A121 TA	CHIP BEAD 120R/3000mA HCB1608KF-121T30	1
FB1702	9JR7100000031	071G 59A121 TA	CHIP BEAD 120R/3000mA HCB1608KF-121T30	1
FB1703	9JR7100000031	071G 59A121 TA	CHIP BEAD 120R/3000mA HCB1608KF-121T30	1
FB1704	9JR7100000031	071G 59A121 TA	CHIP BEAD 120R/3000mA HCB1608KF-121T30	1
FB1706	9JR7100000031	071G 59A121 TA	CHIP BEAD 120R/3000mA HCB1608KF-121T30	1
FB1707	9JR7100000031	071G 59A121 TA	CHIP BEAD 120R/3000mA HCB1608KF-121T30	1
FB1708	9JR7100000052	071G 56121 TA	IND FXD 0805 EMI 100MHZ 120R R	1
FB1801	9JR7100000052	071G 56121 TA	IND FXD 0805 EMI 100MHZ 120R R	1
FB1802	9JR7100000031	071G 59A121 TA	CHIP BEAD 120R/3000mA HCB1608KF-121T30	1
FB1901	9JR7100000052	071G 56121 TA	IND FXD 0805 EMI 100MHZ 120R R	1
FB1902	9JR7100000054	071G 59K300 TA	CHIP BEAD 0603 30R/700mA TAI-TECH	1
FB1903	9JR7100000054	071G 59K300 TA	CHIP BEAD 0603 30R/700mA TAI-TECH	1
FB4101	9JR7100000031	071G 59A121 TA	CHIP BEAD 120R/3000mA HCB1608KF-121T30	1
FB4201	9JR7100000031	071G 59A121 TA	CHIP BEAD 120R/3000mA HCB1608KF-121T30	1
FB4202	9JR7100000031	071G 59A121 TA	CHIP BEAD 120R/3000mA HCB1608KF-121T30	1
FB4203	9JR7100000031	071G 59A121 TA	CHIP BEAD 120R/3000mA HCB1608KF-121T30	1
FB4204	9JR7100000031	071G 59A121 TA	CHIP BEAD 120R/3000mA HCB1608KF-121T30	1
FB4205	9JR7100000031	071G 59A121 TA	CHIP BEAD 120R/3000mA HCB1608KF-121T30	1
FB4206	9JR7100000031	071G 59A121 TA	CHIP BEAD 120R/3000mA HCB1608KF-121T30	1
FB4207	9JR7100000031	071G 59A121 TA	CHIP BEAD 120R/3000mA HCB1608KF-121T30	1
FB4208	9JR7100000031	071G 59A121 TA	CHIP BEAD 120R/3000mA HCB1608KF-121T30	1
FB4209	9JR7100000031	071G 59A121 TA	CHIP BEAD 120R/3000mA HCB1608KF-121T30	1
FB4210	9JR7100000031	071G 59A121 TA	CHIP BEAD 120R/3000mA HCB1608KF-121T30	1
FB4211	9JR7100000031	071G 59A121 TA	CHIP BEAD 120R/3000mA HCB1608KF-121T30	1
FB4401	9JR7100000031	071G 59A121 TA	CHIP BEAD 120R/3000mA HCB1608KF-121T30	1
FB4403	9JR7100000031	071G 59A121 TA	CHIP BEAD 120R/3000mA HCB1608KF-121T30	1
FB6104	9JR7100000053	071G 56K121 TA	CHIP BEAD 120R/6000mA HCB2012KF-121T60	1
FB7106	9JR7100000052	071G 56121 TA	IND FXD 0805 EMI 100MHZ 120R R	1
FB7108	9JR7100000052	071G 56121 TA	IND FXD 0805 EMI 100MHZ 120R R	1
FB7109	9JR7100000052	071G 56121 TA	IND FXD 0805 EMI 100MHZ 120R R	1
FB7112	9JR7100000052	071G 56121 TA	IND FXD 0805 EMI 100MHZ 120R R	1
FB7114	9JR7100000052	071G 56121 TA	IND FXD 0805 EMI 100MHZ 120R R	1
FB7116	9JR7100000052	071G 56121 TA	IND FXD 0805 EMI 100MHZ 120R R	1
FB7117	9JR7100000052	071G 56121 TA	IND FXD 0805 EMI 100MHZ 120R R	1
FB7201	9JR7100000052	071G 56121 TA	IND FXD 0805 EMI 100MHZ 120R R	1
FB7202	9JR7100000052	071G 56121 TA	IND FXD 0805 EMI 100MHZ 120R R	1
FB7203	9JR7100000052	071G 56121 TA	IND FXD 0805 EMI 100MHZ 120R R	1
FB7204	9JR7100000052	071G 56121 TA	IND FXD 0805 EMI 100MHZ 120R R	1
FB7205	9JR7100000052	071G 56121 TA	IND FXD 0805 EMI 100MHZ 120R R	1
FB7206	9JR7100000052	071G 56121 TA	IND FXD 0805 EMI 100MHZ 120R R	1
FB7207	9JR7100000052	071G 56121 TA	IND FXD 0805 EMI 100MHZ 120R R	1
L1801	9JR7300000038	073G253S901 T	SMD CHOKE 90R/400mA ACM2012-900-2P	1
L6101	9JR7300000061	073G 253900 H	CHOKE COIL 35uH+/-10% 82mohm DR10*8	1
L6102	9JR7300000061	073G 253900 H	CHOKE COIL 35uH+/-10% 82mohm DR10*8	1
L7101	9JR7300000061	073G 253900 H	CHOKE COIL 35uH+/-10% 82mohm DR10*8	1
L7102	9JR7300000040	073G 253918 H	CHOKE COIL 15uH+/-10% 50mohm DR10*8	1

L7103	9JR7300000040	073G 253918 H	CHOKO COIL 15uH+/-10% 50mohm DR10*8	1
Q1201	9JR5700000052	057G 477900 T	TRA SIG SM BC847C (KEC0) R	1
Q1202	9JR5700000048	057G 417 6	PMBS3906/PHILIPS-SMT(06)	1
Q1203	9JR5700000002	057G 419513	BC847C	1
Q1503	9JR5700000002	057G 419513	BC847C	1
Q1508	9JR5700000002	057G 419513	BC847C	1
Q1509	9JR5700000002	057G 419513	BC847C	1
Q1901	9JR5700000048	057G 417 6	PMBS3906/PHILIPS-SMT(06)	1
Q1902	9JR5700000052	057G 477900 T	TRA SIG SM BC847C (KEC0) R	1
Q1903	9JR5700000002	057G 419513	BC847C	1
Q4201	9JR5700000038	057G 763904	TRA FET 2N7002 SOT-23 PHILIPS	1
Q6101	9JR5700000058	057G 761 15	PDTC114ET SOT23	1
Q6102	9JR5700000002	057G 419513	BC847C	1
Q6103	9JR5700000064	057G 763912	MOSFET SI4835DDY SO-8	1
Q6104	9JR5700000002	057G 419513	BC847C	1
Q6105	9JR5700000002	057G 419513	BC847C	1
Q6106	9JR5700000002	057G 419513	BC847C	1
Q6107	9JR5700000002	057G 419513	BC847C	1
Q7101	9JR5700000064	057G 763912	MOSFET SI4835DDY SO-8	1
Q7102	9JR5700000058	057G 761 15	PDTC114ET SOT23	1
Q7103	9JR5700000002	057G 419513	BC847C	1
Q7104	9JR5700000058	057G 761 15	PDTC114ET SOT23	1
Q7108	9JR5700000002	057G 419513	BC847C	1
Q7109	9JR5700000064	057G 763912	MOSFET SI4835DDY SO-8	1
Q7201	9JR5700000002	057G 419513	BC847C	1
Q7202	9JR5700000002	057G 419513	BC847C	1
Q7303	9JR5700000038	057G 763904	TRA FET 2N7002 SOT-23 PHILIPS	1
R1105	9JR6100000346	061G04027509FT	RST CHIP 75R 1/16W 1%	1
R1106	9JR6100000398	061G0402470 T	RST CHIP 47R 1/16W 5%	1
R1107	9JR6100000400	061G0402000 T	RST CHIP MAX 0R05 1/16W	1
R1108	9JR6100000400	061G0402000 T	RST CHIP MAX 0R05 1/16W	1
R1113	9JR6100000400	061G0402000 T	RST CHIP MAX 0R05 1/16W	1
R1114	9JR6100000327	061G0402100 T	RST CHIP 10R 1/16W 5%	1
R1115	9JR6100000327	061G0402100 T	RST CHIP 10R 1/16W 5%	1
R1116	9JR6100000400	061G0402000 T	RST CHIP MAX 0R05 1/16W	1
R1117	9JR6100000400	061G0402000 T	RST CHIP MAX 0R05 1/16W	1
R1123	9JR6100000400	061G0402000 T	RST CHIP MAX 0R05 1/16W	1
R1125	9JR6100000399	061G0402103 T	RST CHIP 10K 1/16W 5%	1
R1126	9JR6100000333	061G04022102FT	RST CHIP 21K 1% 1/16W	1
R1127	9JR6100000334	061G04022431FT	RST CHIP 2.43K 1% 1/16W	1
R1201	9JR6100000346	061G04027509FT	RST CHIP 75R 1/16W 1%	1
R1202	9JR6100000346	061G04027509FT	RST CHIP 75R 1/16W 1%	1
R1203	9JR6100000346	061G04027509FT	RST CHIP 75R 1/16W 1%	1
R1204	9JR6100000398	061G0402470 T	RST CHIP 47R 1/16W 5%	1
R1205	9JR6100000398	061G0402470 T	RST CHIP 47R 1/16W 5%	1
R1206	9JR6100000398	061G0402470 T	RST CHIP 47R 1/16W 5%	1
R1208	9JR6100000346	061G04027509FT	RST CHIP 75R 1/16W 1%	1
R1209	9JR6100000346	061G04027509FT	RST CHIP 75R 1/16W 1%	1
R1210	9JR6100000346	061G04027509FT	RST CHIP 75R 1/16W 1%	1
R1211	9JR6100000398	061G0402470 T	RST CHIP 47R 1/16W 5%	1
R1212	9JR6100000398	061G0402470 T	RST CHIP 47R 1/16W 5%	1
R1213	9JR6100000398	061G0402470 T	RST CHIP 47R 1/16W 5%	1
R1214	9JR6100000341	061G0402471 T	RST CHIP 470R 1/16W 5%	1

R1215	9JR6100000398	061G0402470 T	RST CHIP 47R 1/16W 5%	1
R1216	9JR6100000346	061G04027509FT	RST CHIP 75R 1/16W 1%	1
R1217	9JR6100000673	061G0402101 T	RST CHIP 100R 1/16W 5%	1
R1218	9JR6100000341	061G0402471 T	RST CHIP 470R 1/16W 5%	1
R1219	9JR6100000400	061G0402000 T	RST CHIP MAX 0R05 1/16W	1
R1220	9JR6100000677	061G0402393 T	RST CHIP 39K 1/16W 5%	1
R1221	9JR6100000330	061G0402153 T	RST CHIP 15K 1/16W 5%	1
R1222	9JR6100000346	061G04027509FT	RST CHIP 75R 1/16W 1%	1
R1223	9JR6100000672	061G04021000FT	RST CHIP 100R 1/16W 1%	1
R1224	9JR6100000336	061G0402330 T	RST CHIP 33R 1/16W 5%	1
R1225	9JR6100000673	061G0402101 T	RST CHIP 100R 1/16W 5%	1
R1226	9JR6100000673	061G0402101 T	RST CHIP 100R 1/16W 5%	1
R1227	9JR6100000685	061G0603330 T	RST CHIP 33R 1/10W 5%	1
R1228	9JR6100000405	061G0402223 T	RST CHIP 22K 1/16W 5%	1
R1229	9JR6100000405	061G0402223 T	RST CHIP 22K 1/16W 5%	1
R1230	9JR6100000399	061G0402103 T	RST CHIP 10K 1/16W 5%	1
R1231	9JR6100000414	061G0402473 T	RST CHIP 47K 1/16W 5%	1
R1232	9JR6100000414	061G0402473 T	RST CHIP 47K 1/16W 5%	1
R1233	9JR6100000011	061G0603473 T	RST CHIP 47K 1/10W 5%	1
R1234	9JR6100000327	061G0402100 T	RST CHIP 10R 1/16W 5%	1
R1235	9JR6100000327	061G0402100 T	RST CHIP 10R 1/16W 5%	1
R1236	9JR6100000338	061G0402333 T	RST CHIP 33K 1/16W 5%	1
R1237	9JR6100000338	061G0402333 T	RST CHIP 33K 1/16W 5%	1
R1238	9JR6100000338	061G0402333 T	RST CHIP 33K 1/16W 5%	1
R1239	9JR6100000338	061G0402333 T	RST CHIP 33K 1/16W 5%	1
R1240	9JR6100000674	061G0402104 T	RST CHIP 100K 1/16W 5%	1
R1241	9JR6100000674	061G0402104 T	RST CHIP 100K 1/16W 5%	1
R1246	9JR6100000400	061G0402000 T	RST CHIP MAX 0R05 1/16W	1
R1247	9JR6100000399	061G0402103 T	RST CHIP 10K 1/16W 5%	1
R1248	9JR6100000399	061G0402103 T	RST CHIP 10K 1/16W 5%	1
R1249	9JR6100000346	061G04027509FT	RST CHIP 75R 1/16W 1%	1
R1250	9JR6100000398	061G0402470 T	RST CHIP 47R 1/16W 5%	1
R1251	9JR6100000399	061G0402103 T	RST CHIP 10K 1/16W 5%	1
R1257	9JR6100000400	061G0402000 T	RST CHIP MAX 0R05 1/16W	1
R1258	9JR6100000400	061G0402000 T	RST CHIP MAX 0R05 1/16W	1
R1401	9JR6100000335	061G0402272 T	RST CHIP 2K7 1/16W 5%	1
R1402	9JR6100000327	061G0402100 T	RST CHIP 10R 1/16W 5%	1
R1403	9JR6100000335	061G0402272 T	RST CHIP 2K7 1/16W 5%	1
R1404	9JR6100000327	061G0402100 T	RST CHIP 10R 1/16W 5%	1
R1407	9JR6100000399	061G0402103 T	RST CHIP 10K 1/16W 5%	1
R1415	9JR6100000400	061G0402000 T	RST CHIP MAX 0R05 1/16W	1
R1416	9JR6100000400	061G0402000 T	RST CHIP MAX 0R05 1/16W	1
R1417	9JR6100000400	061G0402000 T	RST CHIP MAX 0R05 1/16W	1
R1418	9JR6100000400	061G0402000 T	RST CHIP MAX 0R05 1/16W	1
R1419	9JR6100000401	061G0402222 T	RST CHIP 2K2 1/16W 5%	1
R1420	9JR6100000401	061G0402222 T	RST CHIP 2K2 1/16W 5%	1
R1421	9JR6100000673	061G0402101 T	RST CHIP 100R 1/16W 5%	1
R1422	9JR6100000673	061G0402101 T	RST CHIP 100R 1/16W 5%	1
R1423	9JR6100000346	061G04027509FT	RST CHIP 75R 1/16W 1%	1
R1424	9JR6100000346	061G04027509FT	RST CHIP 75R 1/16W 1%	1
R1425	9JR6100000346	061G04027509FT	RST CHIP 75R 1/16W 1%	1
R1426	9JR6100000398	061G0402470 T	RST CHIP 47R 1/16W 5%	1
R1427	9JR6100000398	061G0402470 T	RST CHIP 47R 1/16W 5%	1

R1428	9JR6100000398	061G0402470 T	RST CHIP 47R 1/16W 5%	1
R1429	9JR6100000341	061G0402471 T	RST CHIP 470R 1/16W 5%	1
R1430	9JR6100000399	061G0402103 T	RST CHIP 10K 1/16W 5%	1
R1431	9JR6100000296	061G0603000 T	RST CHIP MAX 0R05 1/10W	1
R1501	9JR6100000675	061G0402202 T	RST CHIP 2K 1/16W 5%	1
R1502	9JR6100000675	061G0402202 T	RST CHIP 2K 1/16W 5%	1
R1503	9JR6100000406	061G0402220 T	RST CHIP 22R 1/16W 5%	1
R1504	9JR6100000402	061G0402102 T	RST CHIP 1K 1/16W 5%	1
R1505	9JR6100000406	061G0402220 T	RST CHIP 22R 1/16W 5%	1
R1506	9JR6100000342	061G0402472 T	RST CHIP 4K7 1/16W 5%	1
R1512	9JR6100000402	061G0402102 T	RST CHIP 1K 1/16W 5%	1
R1513	9JR6100000332	061G0402200 T	RST CHIP 20R 5% 1/16W	1
R1514	9JR6100000332	061G0402200 T	RST CHIP 20R 5% 1/16W	1
R1515	9JR6100000332	061G0402200 T	RST CHIP 20R 5% 1/16W	1
R1519	9JR6100000332	061G0402200 T	RST CHIP 20R 5% 1/16W	1
R1520	9JR6100000342	061G0402472 T	RST CHIP 4K7 1/16W 5%	1
R1521	9JR6100000399	061G0402103 T	RST CHIP 10K 1/16W 5%	1
R1522	9JR6100000332	061G0402200 T	RST CHIP 20R 5% 1/16W	1
R1523	9JR6100000332	061G0402200 T	RST CHIP 20R 5% 1/16W	1
R1524	9JR6100000342	061G0402472 T	RST CHIP 4K7 1/16W 5%	1
R1525	9JR6100000399	061G0402103 T	RST CHIP 10K 1/16W 5%	1
R1526	9JR6100000402	061G0402102 T	RST CHIP 1K 1/16W 5%	1
R1527	9JR6100000332	061G0402200 T	RST CHIP 20R 5% 1/16W	1
R1528	9JR6100000332	061G0402200 T	RST CHIP 20R 5% 1/16W	1
R1531	9JR6100000414	061G0402473 T	RST CHIP 47K 1/16W 5%	1
R1540	9JR6100000342	061G0402472 T	RST CHIP 4K7 1/16W 5%	1
R1541	9JR6100000342	061G0402472 T	RST CHIP 4K7 1/16W 5%	1
R1546	9JR6100000401	061G0402222 T	RST CHIP 2K2 1/16W 5%	1
R1547	9JR6100000401	061G0402222 T	RST CHIP 2K2 1/16W 5%	1
R1548	9JR6100000400	061G0402000 T	RST CHIP MAX 0R05 1/16W	1
R1549	9JR6100000400	061G0402000 T	RST CHIP MAX 0R05 1/16W	1
R1550	9JR6100000400	061G0402000 T	RST CHIP MAX 0R05 1/16W	1
R1553	9JR6100000349	061G06032701FT	RST CHIP 2K7 1/10W 1%	1
R1561	9JR6100000405	061G0402223 T	RST CHIP 22K 1/16W 5%	1
R1602	9JR6100000406	061G0402220 T	RST CHIP 22R 1/16W 5%	1
R1603	9JR6100000406	061G0402220 T	RST CHIP 22R 1/16W 5%	1
R1625	9JR6100000342	061G0402472 T	RST CHIP 4K7 1/16W 5%	1
R1626	9JR6100000342	061G0402472 T	RST CHIP 4K7 1/16W 5%	1
R1627	9JR6100000399	061G0402103 T	RST CHIP 10K 1/16W 5%	1
R1628	9JR6100000405	061G0402223 T	RST CHIP 22K 1/16W 5%	1
R1701	9JR6100000399	061G0402103 T	RST CHIP 10K 1/16W 5%	1
R1702	9JR6100000328	061G0402123 T	RST CHIP 12K 1/16W 5%	1
R1703	9JR6100000399	061G0402103 T	RST CHIP 10K 1/16W 5%	1
R1704	9JR6100000328	061G0402123 T	RST CHIP 12K 1/16W 5%	1
R1705	9JR6100000399	061G0402103 T	RST CHIP 10K 1/16W 5%	1
R1706	9JR6100000328	061G0402123 T	RST CHIP 12K 1/16W 5%	1
R1707	9JR6100000399	061G0402103 T	RST CHIP 10K 1/16W 5%	1
R1708	9JR6100000328	061G0402123 T	RST CHIP 12K 1/16W 5%	1
R1709	9JR6100000399	061G0402103 T	RST CHIP 10K 1/16W 5%	1
R1710	9JR6100000328	061G0402123 T	RST CHIP 12K 1/16W 5%	1
R1711	9JR6100000399	061G0402103 T	RST CHIP 10K 1/16W 5%	1
R1712	9JR6100000328	061G0402123 T	RST CHIP 12K 1/16W 5%	1
R1713	9JR6100000399	061G0402103 T	RST CHIP 10K 1/16W 5%	1

R1714	9JR610000328	061G0402123 T	RST CHIP 12K 1/16W 5%	1
R1715	9JR610000399	061G0402103 T	RST CHIP 10K 1/16W 5%	1
R1716	9JR610000328	061G0402123 T	RST CHIP 12K 1/16W 5%	1
R1717	9JR610000399	061G0402103 T	RST CHIP 10K 1/16W 5%	1
R1718	9JR610000399	061G0402103 T	RST CHIP 10K 1/16W 5%	1
R1719	9JR610000328	061G0402123 T	RST CHIP 12K 1/16W 5%	1
R1720	9JR610000328	061G0402123 T	RST CHIP 12K 1/16W 5%	1
R1728	9JR610000399	061G0402103 T	RST CHIP 10K 1/16W 5%	1
R1741	9JR610000410	061G0402474 T	RST CHIP 470K 1/16W 5%	1
R1742	9JR610000410	061G0402474 T	RST CHIP 470K 1/16W 5%	1
R1743	9JR610000410	061G0402474 T	RST CHIP 470K 1/16W 5%	1
R1744	9JR610000410	061G0402474 T	RST CHIP 470K 1/16W 5%	1
R1745	9JR610000410	061G0402474 T	RST CHIP 470K 1/16W 5%	1
R1746	9JR610000410	061G0402474 T	RST CHIP 470K 1/16W 5%	1
R1747	9JR610000401	061G0402222 T	RST CHIP 2K2 1/16W 5%	1
R1748	9JR610000401	061G0402222 T	RST CHIP 2K2 1/16W 5%	1
R1801	9JR610000400	061G0402000 T	RST CHIP MAX 0R05 1/16W	1
R1802	9JR610000342	061G0402472 T	RST CHIP 4K7 1/16W 5%	1
R1803	9JR610000342	061G0402472 T	RST CHIP 4K7 1/16W 5%	1
R1804	9JR610000350	061G0603363 T	RST CHIP 36K 1/10W 5%	1
R1807	9JR610000330	061G0402153 T	RST CHIP 15K 1/16W 5%	1
R1808	9JR610000330	061G0402153 T	RST CHIP 15K 1/16W 5%	1
R1901	9JR610000398	061G0402470 T	RST CHIP 47R 1/16W 5%	1
R1903	9JR610000399	061G0402103 T	RST CHIP 10K 1/16W 5%	1
R1904	9JR610000399	061G0402103 T	RST CHIP 10K 1/16W 5%	1
R1905	9JR610000346	061G04027509FT	RST CHIP 75R 1/16W 1%	1
R1907	9JR610000399	061G0402103 T	RST CHIP 10K 1/16W 5%	1
R1908	9JR610000399	061G0402103 T	RST CHIP 10K 1/16W 5%	1
R1909	9JR610000679	061G0402750 T	RST CHIP 75R 1/16W 5%	1
R1910	9JR610000341	061G0402471 T	RST CHIP 470R 1/16W 5%	1
R1911	9JR610000677	061G0402393 T	RST CHIP 39K 1/16W 5%	1
R1912	9JR610000330	061G0402153 T	RST CHIP 15K 1/16W 5%	1
R1913	9JR610000400	061G0402000 T	RST CHIP MAX 0R05 1/16W	1
R1914	9JR610000672	061G04021000FT	RST CHIP 100R 1/16W 1%	1
R1915	9JR610000336	061G0402330 T	RST CHIP 33R 1/16W 5%	1
R1916	9JR610000679	061G0402750 T	RST CHIP 75R 1/16W 5%	1
R1917	9JR610000674	061G0402104 T	RST CHIP 100K 1/16W 5%	1
R1918	9JR610000286	061G0603102 T	RST CHIP 1K 1/10W 5%	1
R1919	9JR610000286	061G0603102 T	RST CHIP 1K 1/10W 5%	1
R1920	9JR610000338	061G0402333 T	RST CHIP 33K 1/16W 5%	1
R1921	9JR610000338	061G0402333 T	RST CHIP 33K 1/16W 5%	1
R1922	9JR610000327	061G0402100 T	RST CHIP 10R 1/16W 5%	1
R1923	9JR610000327	061G0402100 T	RST CHIP 10R 1/16W 5%	1
R1924	9JR610000338	061G0402333 T	RST CHIP 33K 1/16W 5%	1
R1925	9JR610000338	061G0402333 T	RST CHIP 33K 1/16W 5%	1
R1926	9JR610000685	061G0603330 T	RST CHIP 33R 1/10W 5%	1
R1927	9JR610000011	061G0603473 T	RST CHIP 47K 1/10W 5%	1
R1928	9JR610000399	061G0402103 T	RST CHIP 10K 1/16W 5%	1
R1929	9JR610000414	061G0402473 T	RST CHIP 47K 1/16W 5%	1
R1930	9JR610000414	061G0402473 T	RST CHIP 47K 1/16W 5%	1
R1931	9JR610000399	061G0402103 T	RST CHIP 10K 1/16W 5%	1
R1932	9JR610000399	061G0402103 T	RST CHIP 10K 1/16W 5%	1
R1933	9JR610000405	061G0402223 T	RST CHIP 22K 1/16W 5%	1

R1934	9JR6100000405	061G0402223 T	RST CHIP 22K 1/16W 5%	1
R1935	9JR6100000673	061G0402101 T	RST CHIP 100R 1/16W 5%	1
R1936	9JR6100000673	061G0402101 T	RST CHIP 100R 1/16W 5%	1
R1937	9JR6100000413	061G0402124 T	RST CHIP R 120Kohm 1/16W +/-5%	1
R1938	9JR6100000399	061G0402103 T	RST CHIP 10K 1/16W 5%	1
R1939	9JR6100000399	061G0402103 T	RST CHIP 10K 1/16W 5%	1
R1952	9JR6100000331	061G0402183 T	RST CHIP R 18Kohm 1/16W +/-5%	1
R1953	9JR6100000414	061G0402473 T	RST CHIP 47K 1/16W 5%	1
R1967	9JR6100000400	061G0402000 T	RST CHIP MAX 0R05 1/16W	1
R1968	9JR6100000400	061G0402000 T	RST CHIP MAX 0R05 1/16W	1
R4101	9JR6100000336	061G0402330 T	RST CHIP 33R 1/16W 5%	1
R4102	9JR6100000398	061G0402470 T	RST CHIP 47R 1/16W 5%	1
R4103	9JR6100000398	061G0402470 T	RST CHIP 47R 1/16W 5%	1
R4104	9JR6100000338	061G0402333 T	RST CHIP 33K 1/16W 5%	1
R4105	9JR6100000338	061G0402333 T	RST CHIP 33K 1/16W 5%	1
R4106	9JR6100000398	061G0402470 T	RST CHIP 47R 1/16W 5%	1
R4107	9JR6100000398	061G0402470 T	RST CHIP 47R 1/16W 5%	1
R4108	9JR6100000406	061G0402220 T	RST CHIP 22R 1/16W 5%	1
R4109	9JR6100000406	061G0402220 T	RST CHIP 22R 1/16W 5%	1
R4110	9JR6100000398	061G0402470 T	RST CHIP 47R 1/16W 5%	1
R4112	9JR6100000398	061G0402470 T	RST CHIP 47R 1/16W 5%	1
R4113	9JR6100000398	061G0402470 T	RST CHIP 47R 1/16W 5%	1
R4114	9JR6100000398	061G0402470 T	RST CHIP 47R 1/16W 5%	1
R4115	9JR6100000398	061G0402470 T	RST CHIP 47R 1/16W 5%	1
R4116	9JR6100000398	061G0402470 T	RST CHIP 47R 1/16W 5%	1
R4117	9JR6100000398	061G0402470 T	RST CHIP 47R 1/16W 5%	1
R4118	9JR6100000398	061G0402470 T	RST CHIP 47R 1/16W 5%	1
R4119	9JR6100000398	061G0402470 T	RST CHIP 47R 1/16W 5%	1
R4120	9JR6100000398	061G0402470 T	RST CHIP 47R 1/16W 5%	1
R4121	9JR6100000399	061G0402103 T	RST CHIP 10K 1/16W 5%	1
R4122	9JR6100000399	061G0402103 T	RST CHIP 10K 1/16W 5%	1
R4124	9JR6100000338	061G0402333 T	RST CHIP 33K 1/16W 5%	1
R4127	9JR6100000399	061G0402103 T	RST CHIP 10K 1/16W 5%	1
R4128	9JR6100000399	061G0402103 T	RST CHIP 10K 1/16W 5%	1
R4129	9JR6100000338	061G0402333 T	RST CHIP 33K 1/16W 5%	1
R4130	9JR6100000399	061G0402103 T	RST CHIP 10K 1/16W 5%	1
R4131	9JR6100000399	061G0402103 T	RST CHIP 10K 1/16W 5%	1
R4132	9JR6100000338	061G0402333 T	RST CHIP 33K 1/16W 5%	1
R4133	9JR6100000345	061G0402682 T	RST CHIP 6K8 1/16W 5%	1
R4136	9JR6100000673	061G0402101 T	RST CHIP 100R 1/16W 5%	1
R4137	9JR6100000674	061G0402104 T	RST CHIP 100K 1/16W 5%	1
R4203	9JR6100000287	061G0603103 T	RST CHIP 10K 1/10W 5%	1
R4207	9JR6100000673	061G0402101 T	RST CHIP 100R 1/16W 5%	1
R4208	9JR6100000339	061G04023900FT	RST CHIP 390R 1/16W 1%	1
R4209	9JR6100000400	061G0402000 T	RST CHIP MAX 0R05 1/16W	1
R4210	9JR6100000400	061G0402000 T	RST CHIP MAX 0R05 1/16W	1
R4216	9JR6100000400	061G0402000 T	RST CHIP MAX 0R05 1/16W	1
R4217	9JR6100000406	061G0402220 T	RST CHIP 22R 1/16W 5%	1
R4218	9JR6100000406	061G0402220 T	RST CHIP 22R 1/16W 5%	1
R4219	9JR6100000406	061G0402220 T	RST CHIP 22R 1/16W 5%	1
R4220	9JR6100000406	061G0402220 T	RST CHIP 22R 1/16W 5%	1
R4221	9JR6100000399	061G0402103 T	RST CHIP 10K 1/16W 5%	1
R4222	9JR6100000399	061G0402103 T	RST CHIP 10K 1/16W 5%	1



R4223	9JR610000402	061G0402102 T	RST CHIP 1K 1/16W 5%	1
R4224	9JR610000402	061G0402102 T	RST CHIP 1K 1/16W 5%	1
R4225	9JR610000402	061G0402102 T	RST CHIP 1K 1/16W 5%	1
R4227	9JR6100000337	061G04023301FT	RST CHIP 3K3 1/16W 1%	1
R4228	9JR6100000345	061G0402682 T	RST CHIP 6K8 1/16W 5%	1
R4230	9JR6100000285	061G0603101 T	RST CHIP 100R 1/10W 5%	1
R4232	9JR6100000399	061G0402103 T	RST CHIP 10K 1/16W 5%	1
R4234	9JR6100000399	061G0402103 T	RST CHIP 10K 1/16W 5%	1
R4235	9JR6100000399	061G0402103 T	RST CHIP 10K 1/16W 5%	1
R4237	9JR6100000399	061G0402103 T	RST CHIP 10K 1/16W 5%	1
R4239	9JR6100000398	061G0402470 T	RST CHIP 47R 1/16W 5%	1
R4240	9JR6100000398	061G0402470 T	RST CHIP 47R 1/16W 5%	1
R4242	9JR6100000398	061G0402470 T	RST CHIP 47R 1/16W 5%	1
R4243	9JR6100000398	061G0402470 T	RST CHIP 47R 1/16W 5%	1
R4244	9JR6100000342	061G0402472 T	RST CHIP 4K7 1/16W 5%	1
R4245	9JR6100000398	061G0402470 T	RST CHIP 47R 1/16W 5%	1
R4246	9JR6100000398	061G0402470 T	RST CHIP 47R 1/16W 5%	1
R4247	9JR6100000338	061G0402333 T	RST CHIP 33K 1/16W 5%	1
R4248	9JR6100000398	061G0402470 T	RST CHIP 47R 1/16W 5%	1
R4249	9JR6100000338	061G0402333 T	RST CHIP 33K 1/16W 5%	1
R4252	9JR6100000399	061G0402103 T	RST CHIP 10K 1/16W 5%	1
R4254	9JR6100000398	061G0402470 T	RST CHIP 47R 1/16W 5%	1
R4256	9JR6100000399	061G0402103 T	RST CHIP 10K 1/16W 5%	1
R4257	9JR6100000398	061G0402470 T	RST CHIP 47R 1/16W 5%	1
R4258	9JR6100000398	061G0402470 T	RST CHIP 47R 1/16W 5%	1
R4259	9JR6100000342	061G0402472 T	RST CHIP 4K7 1/16W 5%	1
R4260	9JR6100000399	061G0402103 T	RST CHIP 10K 1/16W 5%	1
R4263	9JR6100000398	061G0402470 T	RST CHIP 47R 1/16W 5%	1
R4264	9JR6100000398	061G0402470 T	RST CHIP 47R 1/16W 5%	1
R4265	9JR6100000398	061G0402470 T	RST CHIP 47R 1/16W 5%	1
R4266	9JR6100000398	061G0402470 T	RST CHIP 47R 1/16W 5%	1
R4267	9JR6100000398	061G0402470 T	RST CHIP 47R 1/16W 5%	1
R4268	9JR6100000398	061G0402470 T	RST CHIP 47R 1/16W 5%	1
R4269	9JR6100000399	061G0402103 T	RST CHIP 10K 1/16W 5%	1
R4270	9JR6100000399	061G0402103 T	RST CHIP 10K 1/16W 5%	1
R4271	9JR6100000399	061G0402103 T	RST CHIP 10K 1/16W 5%	1
R4272	9JR6100000399	061G0402103 T	RST CHIP 10K 1/16W 5%	1
R4273	9JR6100000406	061G0402220 T	RST CHIP 22R 1/16W 5%	1
R4274	9JR6100000398	061G0402470 T	RST CHIP 47R 1/16W 5%	1
R4275	9JR6100000399	061G0402103 T	RST CHIP 10K 1/16W 5%	1
R4276	9JR6100000338	061G0402333 T	RST CHIP 33K 1/16W 5%	1
R4277	9JR6100000398	061G0402470 T	RST CHIP 47R 1/16W 5%	1
R4278	9JR6100000399	061G0402103 T	RST CHIP 10K 1/16W 5%	1
R4279	9JR6100000330	061G0402153 T	RST CHIP 15K 1/16W 5%	1
R4280	9JR6100000330	061G0402153 T	RST CHIP 15K 1/16W 5%	1
R4281	9JR6100000399	061G0402103 T	RST CHIP 10K 1/16W 5%	1
R4282	9JR6100000398	061G0402470 T	RST CHIP 47R 1/16W 5%	1
R4283	9JR6100000678	061G04024700FT	RST CHIP 470R 1/16W 1%	1
R4284	9JR6100000340	061G04024300FT	RST CHIP 430R 1/16W 1%	1
R4285	9JR6100000285	061G0603101 T	RST CHIP 100R 1/10W 5%	1
R4286	9JR6100000342	061G0402472 T	RST CHIP 4K7 1/16W 5%	1
R4287	9JR6100000674	061G0402104 T	RST CHIP 100K 1/16W 5%	1
R4290	9JR6100000287	061G0603103 T	RST CHIP 10K 1/10W 5%	1

R4291	9JR6100000287	061G0603103 T	RST CHIP 10K 1/10W 5%	1
R4292	9JR6100000287	061G0603103 T	RST CHIP 10K 1/10W 5%	1
R4294	9JR6100000287	061G0603103 T	RST CHIP 10K 1/10W 5%	1
R4299	9JR6100000399	061G0402103 T	RST CHIP 10K 1/16W 5%	1
R4301	9JR6100000398	061G0402470 T	RST CHIP 47R 1/16W 5%	1
R4302	9JR6100000399	061G0402103 T	RST CHIP 10K 1/16W 5%	1
R4303	9JR6100000402	061G0402102 T	RST CHIP 1K 1/16W 5%	1
R4304	9JR6100000398	061G0402470 T	RST CHIP 47R 1/16W 5%	1
R4305	9JR6100000399	061G0402103 T	RST CHIP 10K 1/16W 5%	1
R4306	9JR6100000398	061G0402470 T	RST CHIP 47R 1/16W 5%	1
R4307	9JR6100000399	061G0402103 T	RST CHIP 10K 1/16W 5%	1
R4308	9JR6100000402	061G0402102 T	RST CHIP 1K 1/16W 5%	1
R4309	9JR6100000398	061G0402470 T	RST CHIP 47R 1/16W 5%	1
R4310	9JR6100000399	061G0402103 T	RST CHIP 10K 1/16W 5%	1
R4311	9JR6100000398	061G0402470 T	RST CHIP 47R 1/16W 5%	1
R4312	9JR6100000402	061G0402102 T	RST CHIP 1K 1/16W 5%	1
R4401	9JR6100000287	061G0603103 T	RST CHIP 10K 1/10W 5%	1
R4402	9JR6100000287	061G0603103 T	RST CHIP 10K 1/10W 5%	1
R4403	9JR6100000406	061G0402220 T	RST CHIP 22R 1/16W 5%	1
R4404	9JR6100000406	061G0402220 T	RST CHIP 22R 1/16W 5%	1
R4405	9JR6100000406	061G0402220 T	RST CHIP 22R 1/16W 5%	1
R4406	9JR6100000344	061G04025609FT	RST CHIP 56R 1/16W 1%	1
R4407	9JR6100000344	061G04025609FT	RST CHIP 56R 1/16W 1%	1
R4408	9JR6100000344	061G04025609FT	RST CHIP 56R 1/16W 1%	1
R4409	9JR6100000344	061G04025609FT	RST CHIP 56R 1/16W 1%	1
R4410	9JR6100000329	061G04021500FT	RST CHIP 150R 1/16W 1%	1
R4411	9JR6100000406	061G0402220 T	RST CHIP 22R 1/16W 5%	1
R4413	9JR6100000400	061G0402000 T	RST CHIP MAX 0R05 1/16W	1
R4414	9JR6100000673	061G0402101 T	RST CHIP 100R 1/16W 5%	1
R4415	9JR6100000673	061G0402101 T	RST CHIP 100R 1/16W 5%	1
R4417	9JR6100000673	061G0402101 T	RST CHIP 100R 1/16W 5%	1
R4420	9JR6100000287	061G0603103 T	RST CHIP 10K 1/10W 5%	1
R4421	9JR6100000673	061G0402101 T	RST CHIP 100R 1/16W 5%	1
R4422	9JR6100000673	061G0402101 T	RST CHIP 100R 1/16W 5%	1
R4423	9JR6100000673	061G0402101 T	RST CHIP 100R 1/16W 5%	1
R6101	9JR6100000011	061G0603473 T	RST CHIP 47K 1/10W 5%	1
R6102	9JR6100000286	061G0603102 T	RST CHIP 1K 1/10W 5%	1
R6103	9JR6100000352	061G0603563 T	RST CHIP 56K 1/10W 5%	1
R6104	9JR6100000421	061G0603183 T	RST CHIP 18K 1/10W 5%	1
R6105	9JR6100000422	061G0603474 T	RST CHIP 470K 1/10W 5%	1
R6106	9JR6100000287	061G0603103 T	RST CHIP 10K 1/10W 5%	1
R6107	9JR6100000287	061G0603103 T	RST CHIP 10K 1/10W 5%	1
R6108	9JR6100000673	061G0402101 T	RST CHIP 100R 1/16W 5%	1
R6109	9JR6100000673	061G0402101 T	RST CHIP 100R 1/16W 5%	1
R6110	9JR6100000399	061G0402103 T	RST CHIP 10K 1/16W 5%	1
R6111	9JR6100000011	061G0603473 T	RST CHIP 47K 1/10W 5%	1
R6112	9JR6100000685	061G0603330 T	RST CHIP 33R 1/10W 5%	1
R6113	9JR6100000338	061G0402333 T	RST CHIP 33K 1/16W 5%	1
R6114	9JR6100000338	061G0402333 T	RST CHIP 33K 1/16W 5%	1
R6115	9JR6100000327	061G0402100 T	RST CHIP 10R 1/16W 5%	1
R6116	9JR6100000327	061G0402100 T	RST CHIP 10R 1/16W 5%	1
R6117	9JR6100000285	061G0603101 T	RST CHIP 100R 1/10W 5%	1
R6118	9JR6100000351	061G0603471 T	RST CHIP 470R 1/10W 5%	1

R6119	9JR6100000347	061G0603182 T	RST CHIP 1K8 1/10W 5%	1
R6120	9JR6100000327	061G0402100 T	RST CHIP 10R 1/16W 5%	1
R6121	9JR6100000327	061G0402100 T	RST CHIP 10R 1/16W 5%	1
R6122	9JR6100000355	061G1206222 T	RST CHIP 2K2 1/4W 5%	1
R6123	9JR6100000355	061G1206222 T	RST CHIP 2K2 1/4W 5%	1
R6128	9JR6100000687	061G12060007JY	RST CHIPR MAX0R05 7A 1/4W YAGEO	1
R6129	9JR6100000355	061G1206222 T	RST CHIP 2K2 1/4W 5%	1
R6130	9JR6100000355	061G1206222 T	RST CHIP 2K2 1/4W 5%	1
R6131	9JR6100000673	061G0402101 T	RST CHIP 100R 1/16W 5%	1
R6132	9JR6100000673	061G0402101 T	RST CHIP 100R 1/16W 5%	1
R6133	9JR6100000405	061G0402223 T	RST CHIP 22K 1/16W 5%	1
R6134	9JR6100000405	061G0402223 T	RST CHIP 22K 1/16W 5%	1
R6135	9JR6100000399	061G0402103 T	RST CHIP 10K 1/16W 5%	1
R6136	9JR6100000399	061G0402103 T	RST CHIP 10K 1/16W 5%	1
R6137	9JR6100000405	061G0402223 T	RST CHIP 22K 1/16W 5%	1
R6138	9JR6100000405	061G0402223 T	RST CHIP 22K 1/16W 5%	1
R6139	9JR6100000414	061G0402473 T	RST CHIP 47K 1/16W 5%	1
R6140	9JR6100000414	061G0402473 T	RST CHIP 47K 1/16W 5%	1
R6142	9JR6100000399	061G0402103 T	RST CHIP 10K 1/16W 5%	1
R6143	9JR6100000399	061G0402103 T	RST CHIP 10K 1/16W 5%	1
R6144	9JR6100000414	061G0402473 T	RST CHIP 47K 1/16W 5%	1
R6145	9JR6100000414	061G0402473 T	RST CHIP 47K 1/16W 5%	1
R6146	9JR6100000399	061G0402103 T	RST CHIP 10K 1/16W 5%	1
R6147	9JR6100000011	061G0603473 T	RST CHIP 47K 1/10W 5%	1
R6148	9JR6100000685	061G0603330 T	RST CHIP 33R 1/10W 5%	1
R6149	9JR6100000338	061G0402333 T	RST CHIP 33K 1/16W 5%	1
R6150	9JR6100000338	061G0402333 T	RST CHIP 33K 1/16W 5%	1
R6151	9JR6100000327	061G0402100 T	RST CHIP 10R 1/16W 5%	1
R6152	9JR6100000327	061G0402100 T	RST CHIP 10R 1/16W 5%	1
R7101	9JR6100000011	061G0603473 T	RST CHIP 47K 1/10W 5%	1
R7102	9JR6100000286	061G0603102 T	RST CHIP 1K 1/10W 5%	1
R7103	9JR6100000352	061G0603563 T	RST CHIP 56K 1/10W 5%	1
R7104	9JR6100000352	061G0603563 T	RST CHIP 56K 1/10W 5%	1
R7105	9JR6100000287	061G0603103 T	RST CHIP 10K 1/10W 5%	1
R7106	9JR6100000400	061G0402000 T	RST CHIP MAX 0R05 1/16W	1
R7113	9JR6100000352	061G0603563 T	RST CHIP 56K 1/10W 5%	1
R7115	9JR6100000287	061G0603103 T	RST CHIP 10K 1/10W 5%	1
R7116	9JR6100000286	061G0603102 T	RST CHIP 1K 1/10W 5%	1
R7117	9JR6100000352	061G0603563 T	RST CHIP 56K 1/10W 5%	1
R7118	9JR6100000354	061G0805229 T	RST CHIP 2R2 1/8W 5%	1
R7119	9JR6100000349	061G06032701FT	RST CHIP 2K7 1/10W 1%	1
R7120	9JR6100000680	061G06031002FT	RST CHIP 10K 1/10W 1%	1
R7121	9JR6100000353	061G0603822 T	RST CHIP 8K2 1/10W 5%	1
R7123	9JR6100000002	061G06031000FT	RST CHIP 100R 1/10W 1%	1
R7124	9JR6100000681	061G06031100FT	RST CHIP 110R 1/10W 1%	1
R7125	9JR6100000535	061G06031200FT	RST CHIP 120R 1/10W 1%	1
R7127	9JR6100000352	061G0603563 T	RST CHIP 56K 1/10W 5%	1
R7128	9JR6100000683	061G0603203 T	RST CHIP 20K 1/10W 5%	1
R7129	9JR6100000676	061G0402229 JT	RST CHIP 2R2 1/16W 5% TZAI YUAN	1
R7130	9JR6100000686	061G06034302FT	RST CHIPR 43KOHM 1% 1/10W TZAI YUAN	1
R7131	9JR6100000287	061G0603103 T	RST CHIP 10K 1/10W 5%	1
R7137	9JR6100000682	061G06032000FT	RST CHIP 200R 1/10W 1%	1
R7138	9JR6100000011	061G0603473 T	RST CHIP 47K 1/10W 5%	1

R7139	9JR6100000352	061G0603563 T	RST CHIP 56K 1/10W 5%	1
R7140	9JR6100000535	061G06031200FT	RST CHIP 120R 1/10W 1%	1
R7141	9JR6100000682	061G06032000FT	RST CHIP 200R 1/10W 1%	1
R7201	9JR6100000342	061G0402472 T	RST CHIP 4K7 1/16W 5%	1
R7203	9JR6100000399	061G0402103 T	RST CHIP 10K 1/16W 5%	1
R7205	9JR6100000287	061G0603103 T	RST CHIP 10K 1/10W 5%	1
R7206	9JR6100000289	061G0603222 T	RST CHIP 2K2 1/10W 5%	1
R7208	9JR6100000285	061G0603101 T	RST CHIP 100R 1/10W 5%	1
R7209	9JR6100000287	061G0603103 T	RST CHIP 10K 1/10W 5%	1
R7213	9JR6100000684	061G0603223 T	RST CHIP 22K 1/10W 5%	1
R7214	9JR6100000398	061G0402470 T	RST CHIP 47R 1/16W 5%	1
R7215	9JR6100000400	061G0402000 T	RST CHIP MAX 0R05 1/16W	1
R7217	9JR6100000342	061G0402472 T	RST CHIP 4K7 1/16W 5%	1
R7301	9JR6100000343	061G0402479 T	RST CHIP 4R7 1/16W 5%	1
R7302	9JR6100000343	061G0402479 T	RST CHIP 4R7 1/16W 5%	1
R7303	9JR6100000400	061G0402000 T	RST CHIP MAX 0R05 1/16W	1
R7310	9JR6100000400	061G0402000 T	RST CHIP MAX 0R05 1/16W	1
R7319	9JR6100000398	061G0402470 T	RST CHIP 47R 1/16W 5%	1
R7320	9JR6100000673	061G0402101 T	RST CHIP 100R 1/16W 5%	1
R7321	9JR6100000673	061G0402101 T	RST CHIP 100R 1/16W 5%	1
R7322	9JR6100000673	061G0402101 T	RST CHIP 100R 1/16W 5%	1
R7513	9JR6100000400	061G0402000 T	RST CHIP MAX 0R05 1/16W	1
R7527	9JR6100000296	061G0603000 T	RST CHIP MAX 0R05 1/10W	1
RP4401	9JR6100000326	061G 126470 8Y	RST CHIP AR 8P4R 47 OHM +-5% 1/16W	1
RP4402	9JR6100000326	061G 126470 8Y	RST CHIP AR 8P4R 47 OHM +-5% 1/16W	1
RP4403	9JR6100000326	061G 126470 8Y	RST CHIP AR 8P4R 47 OHM +-5% 1/16W	1
RP4404	9JR6100000326	061G 126470 8Y	RST CHIP AR 8P4R 47 OHM +-5% 1/16W	1
RP4405	9JR6100000326	061G 126470 8Y	RST CHIP AR 8P4R 47 OHM +-5% 1/16W	1
RP4406	9JR6100000326	061G 126470 8Y	RST CHIP AR 8P4R 47 OHM +-5% 1/16W	1
RP4407	9JR6100000326	061G 126470 8Y	RST CHIP AR 8P4R 47 OHM +-5% 1/16W	1
TU1101	9JR9400000003	094GPASEALL10G	TUNER PAL+SECAM TAFT-S710D	1
U1101	9JR5600000124	056G 563963	IC SC4215ASTRT SO-8	1
U1201	9JR5600000120	056G 192901	IC DRV601RTJR QFN-20	1
U1401	9JR5600000100	056G1133 34	M24C02-WMN6TP	1
U1501	9JR5600000100	056G1133 34	M24C02-WMN6TP	1
U1503	9JR5600000062	056G 634 24	IC TMDS261PAGT TQFP-64	1
U1602	9JR5600000100	056G1133 34	M24C02-WMN6TP	1
U1701	9JR5600000078	056G 623906	IC NLASB3157DFT2G SC-88	1
U1702	9JR5600000078	056G 623906	IC NLASB3157DFT2G SC-88	1
U1801	9JR5600000125	056G 665918	IC STMP2171STR SOT23-5L	1
U1901	9JR5600000120	056G 192901	IC DRV601RTJR QFN-20	1
U4101	9JR5600000126	056G1125195	IC WT6703F-SG240WT SOP-24	1
U4102	9JR5600000063	056G 643906	IC APX809-26SAG-7 SOT23	1
U4201	9JR5600000127	056G1126 62	IC MST9A885GL-LF LQFP-256	1
U4202	9JR5600000064	056G 643A03	IC APX810-29SAG-7 SOT23	1
U4203	9JR5600000129	056G113353A	IC M24C32-WMN6T SO-8 ST	1
U4401	9JR5600000060	056G 615924	IC W9412G6IH-5 TSSOP-66	1
U4402	9JR5600000128	056G1133 97	IC MX25L1605DM2I-12G 16Mb SOP-8	1
U6101	9JR5600000120	056G 192901	IC DRV601RTJR QFN-20	1
U6102	9JR5600000061	056G 616917	IC TPA3124D2PWPR	1
U6103	9JR5600000120	056G 192901	IC DRV601RTJR QFN-20	1
U7101	9JR5600000121	056G 368906	IC TPS62203DBVR SOT-23	1
U7103	9JR5600000123	056G 563952	IC SC4524BSETRT SO-8	1

U7105	9JR5600000089	056G 563126	IC G1117T63Uf SOT-223	1
U7106	9JR5600000122	056G 379907	IC SC4525ASET RT SO-8	1
U7108	9JR5600000089	056G 563126	IC G1117T63Uf SOT-223	1
U7109	9JR5600000089	056G 563126	IC G1117T63Uf SOT-223	1
X1401	9JR9300000132	093G 22 61 HE	XTL 1TC125DFNS004 32.768KHZ DT-38	1
X4201	9JR9300000075	093G 22S903 C	CRYSTAL 14M318 18P HC49/S	1
ZD1201	9JR9300000074	093G 64 37 N	VPORT0603100KV05	1
ZD1202	9JR9300000074	093G 64 37 N	VPORT0603100KV05	1
ZD1203	9JR9300000074	093G 64 37 N	VPORT0603100KV05	1
ZD1204	9JR9300000074	093G 64 37 N	VPORT0603100KV05	1
ZD1401	9JR9300000137	093G 39S911 T	DIODE BZX84-C5V6 SOT-23 PHILIPS	1
ZD1402	9JR9300000137	093G 39S911 T	DIODE BZX84-C5V6 SOT-23 PHILIPS	1
ZD1403	9JR9300000137	093G 39S911 T	DIODE BZX84-C5V6 SOT-23 PHILIPS	1
ZD1404	9JR9300000137	093G 39S911 T	DIODE BZX84-C5V6 SOT-23 PHILIPS	1
ZD1405	9JR9300000137	093G 39S911 T	DIODE BZX84-C5V6 SOT-23 PHILIPS	1
ZD1501	9JR9300000137	093G 39S911 T	DIODE BZX84-C5V6 SOT-23 PHILIPS	1
ZD1504	9JR9300000136	093G 64 65 TY	SMD ESD PROTECTOR PESD0603-240	1
ZD1505	9JR9300000136	093G 64 65 TY	SMD ESD PROTECTOR PESD0603-240	1
ZD1506	9JR9300000136	093G 64 65 TY	SMD ESD PROTECTOR PESD0603-240	1
ZD1511	9JR9300000136	093G 64 65 TY	SMD ESD PROTECTOR PESD0603-240	1
ZD1512	9JR9300000136	093G 64 65 TY	SMD ESD PROTECTOR PESD0603-240	1
ZD1513	9JR9300000136	093G 64 65 TY	SMD ESD PROTECTOR PESD0603-240	1
ZD1601	9JR9300000137	093G 39S911 T	DIODE BZX84-C5V6 SOT-23 PHILIPS	1
ZD1701	9JR9300000074	093G 64 37 N	VPORT0603100KV05	1
ZD1702	9JR9300000074	093G 64 37 N	VPORT0603100KV05	1
ZD1703	9JR9300000074	093G 64 37 N	VPORT0603100KV05	1
ZD1704	9JR9300000074	093G 64 37 N	VPORT0603100KV05	1
ZD1901	9JR9300000074	093G 64 37 N	VPORT0603100KV05	1
ZD1902	9JR9300000074	093G 64 37 N	VPORT0603100KV05	1
ZD1903	9JR9300000074	093G 64 37 N	VPORT0603100KV05	1
ZD1904	9JR9300000074	093G 64 37 N	VPORT0603100KV05	1
ZD1905	9JR9300000074	093G 64 37 N	VPORT0603100KV05	1
ZD1906	9JR9300000074	093G 64 37 N	VPORT0603100KV05	1
ZD1907	9JR9300000074	093G 64 37 N	VPORT0603100KV05	1
ZD1908	9JR9300000074	093G 64 37 N	VPORT0603100KV05	1
ZD6101	9JR9300000076	093G 39S 47	BZX84C3V6 SOT-23	1
ZD7101	9JR9300000079	093G 60S801	DIODE SSA34 VISHAY	1
ZD7102	9JR9300000079	093G 60S801	DIODE SSA34 VISHAY	1
ZD7301	9JR9300000137	093G 39S911 T	DIODE BZX84-C5V6 SOT-23 PHILIPS	1
ZD7302	9JR9300000137	093G 39S911 T	DIODE BZX84-C5V6 SOT-23 PHILIPS	1
<b>1054</b>	<b>9JR9900000043</b>	<b>ADTV92415PA2</b>	<b>POWER PCB ASSY</b>	<b>1</b>
BD901	9JR9300000122	093G 50460 34	BRIDGE KBJ608G 6A/800V KBJ	1
C901	9JR6300000015	063G107K224 UM	X2 CAP 0.22uF K 275VAC	1
C902	9JR6500000186	065G306M1022B3	Y1 CAP 1000PF M 250VAC TDK	1
C903	9JR6500000186	065G306M1022B3	Y1 CAP 1000PF M 250VAC TDK	1
C904	9JR6300000015	063G107K224 UM	X2 CAP 0.22uF K 275VAC	1
C906	9JR6500000317	065G306M1522B3	Y1 CAP 1500pF / 250V	1
C907	9JR6700000159	067G 4010115C	EC 100UF 20% 450V HS 25*26	1
C908	9JR6500000317	065G306M1522B3	Y1 CAP 1500pF / 250V	1
C909	9JR6500000186	065G306M1022B3	Y1 CAP 1000PF M 250VAC TDK	1
C910	9JR6300000016	063G211J105GMC	CAP MPPB 1UF 5% 450V	1
C911	9JR6500000315	065G080533422K 3	CAP CHIP 0805 330N 25V X7R +/-10%	1
C913	9JR6500000315	065G080533422K 3	CAP CHIP 0805 330N 25V X7R +/-10%	1

C914	9JR6500000313	065G080522517Z Y	CAP CHIP 0805 2.2UF Z 16V Y5V	1
C915	9JR6500000110	065G080510232K Y	CAP CHIP 0805 1N 50V X7R +/-10%	1
C931	9JR6500000315	065G080533422K 3	CAP CHIP 0805 330N 25V X7R +/-10%	1
C932	9JR6500000205	065G080522422K Y	CAP CHIP 0805 220N 25V X7R +/- 10%	1
C933	9JR6500000314	065G080527131J Y	CAP CHIP 0805 270PF J 50V NPO	1
C934	9JR6700000164	067G 3054797ET	EC 4U7 50V RGA 5x11mm	1
C935	9JR6500000168	065G080510432K Y	CAP CHIP 0805 100N 50V X7R +/-10%	1
C936	9JR6500000297	065G120610432K Y	CER 1206 100N 50V X7R +/-10%	1
C937	9JR6500000299	065G120610537Z Y	CER 1206 1U 50V Y5V -20%+80%	1
C940	9JR6500000180	065G080533332K Y	CAP CHIP 0805 33N 50V X7R +/-10%	1
C941	9JR6300000012	063G210J2234CC	CAP MPP 22NF 630V 5%	1
C942	9JR6500000312	065G080522232K Y	CAP CHIP 0805 2N2 50V X7R +/-10%	1
C943	9JR7100000049	067G215L1026NS	EC 105°C CAP 1000UF M 35V	1
C946	9JR6700000115	067G 3152214CT	EC 220UF 25V GF 8*11.5mm	1
C947	9JR6700000116	067G 305470 4	EC 47uF 25V KM 5x11mm U	1
C949	9JR6500000168	065G080510432K Y	CAP CHIP 0805 100N 50V X7R +/-10%	1
C953	9JR6500000306	065G 1K1529AT	C CAP. 1500PF 1KV	1
C954	9JR6500000222	065G 1K1019AT	C CAP. 100PF 1KV RR	1
C955	9JR6500000222	065G 1K1019AT	C CAP. 100PF 1KV RR	1
C960	9JR6500000307	065G 1K2219AT	C CAP. 220PF 1KV	1
C980	9JR6500000223	065G517K1522AT	CER2 DC B 500V S 1N5 PM10 A	1
C981	9JR6700000054	067G 3053307CT	105°C RADIAL E-CAPACTOR 33uF 50V	1
C983	9JR6500000168	065G080510432K Y	CAP CHIP 0805 100N 50V X7R +/-10%	1
C984	9JR6400000006	064G 47J1031AT EU	F/C PPN 0.01uF 100V 5% EUROPTRONIC	1
C985	9JR6700000165	067G 515272 3C	EC 2700uF 16V GF 13*25mm	1
C986	9JR6700000116	067G 305470 4	EC 47uF 25V KM 5x11mm U	1
C989	9JR6500000168	065G080510432K Y	CAP CHIP 0805 100N 50V X7R +/-10%	1
C990	9JR6700000161	067G 3051007ET	EC 10uF 50V RGA 5x11 mm	1
C991	9JR6500000110	065G080510232K Y	CAP CHIP 0805 1N 50V X7R +/-10%	1
C992	9JR6700000129	067G 515471 6C	EC 470UF 35V GF 10*20mm	1
C993	9JR6500000199	065G080510332K Y	CAP CHIP 0805 10N 50V X7R +/-10%	1
C994	9JR6500000199	065G080510332K Y	CAP CHIP 0805 10N 50V X7R +/-10%	1
CN901	9JR8700000003	087G 501908 S	AC SOCKET 2P ST58-BBAN-0000	1
CN902	9JR9500000067	095G 82513F924	HARNESS 13P(SCN) - 12P 250mm 75414	1
CN903	9JR9500000062	095G 82514F903	HARNESS 14P(SCN) -14P 200mm 75410	1
D902	9JR9300000124	093G 220901	iode STTH5L06FP TO-220FP	1
D903	9JR9300000127	093G 52S900 T	DIODE BAV103 SOD-80C PHILIPS	1
D935	9JR9300000135	093G 60910	DIODE SBF1040CT 10A/40V_ITO-220	1
D951	9JR9300000127	093G 52S900 T	DIODE BAV103 SOD-80C PHILIPS	1
D952	9JR9300000127	093G 52S900 T	DIODE BAV103 SOD-80C PHILIPS	1
D953	9JR9300000127	093G 52S900 T	DIODE BAV103 SOD-80C PHILIPS	1
D954	9JR9300000086	093G 6450752T	Diode BAV21	1
D955	9JR9300000133	093G 60282	DIODE SP20100R TO-220FP	1
D956	9JR9300000088	093G 60S911 T	DIODE SK24A DO214AC	1
D957	9JR9300000127	093G 52S900 T	DIODE BAV103 SOD-80C PHILIPS	1
D980	9JR9300000131	093G108090052T	DIODE UG1006 1A 800V DO-41	1
D981	9JR9300000130	093G102050152T	RGP10D	1
D982	9JR9300000123	093G 521ZJ26T	SB240	1
D983	9JR9300000090	093G201090052T	DIODE SR210 100V 2A DO-15	1
D984	9JR9300000090	093G201090052T	DIODE SR210 100V 2A DO-15	1
F901	9JR8400000012	084G 41 4	FUSE 250V 4A	1
F902	9JR8400000012	084G 41 4	FUSE 250V 4A	1
FB904	9JR7100000028	071G 55 8	FERRITE BEAD	1

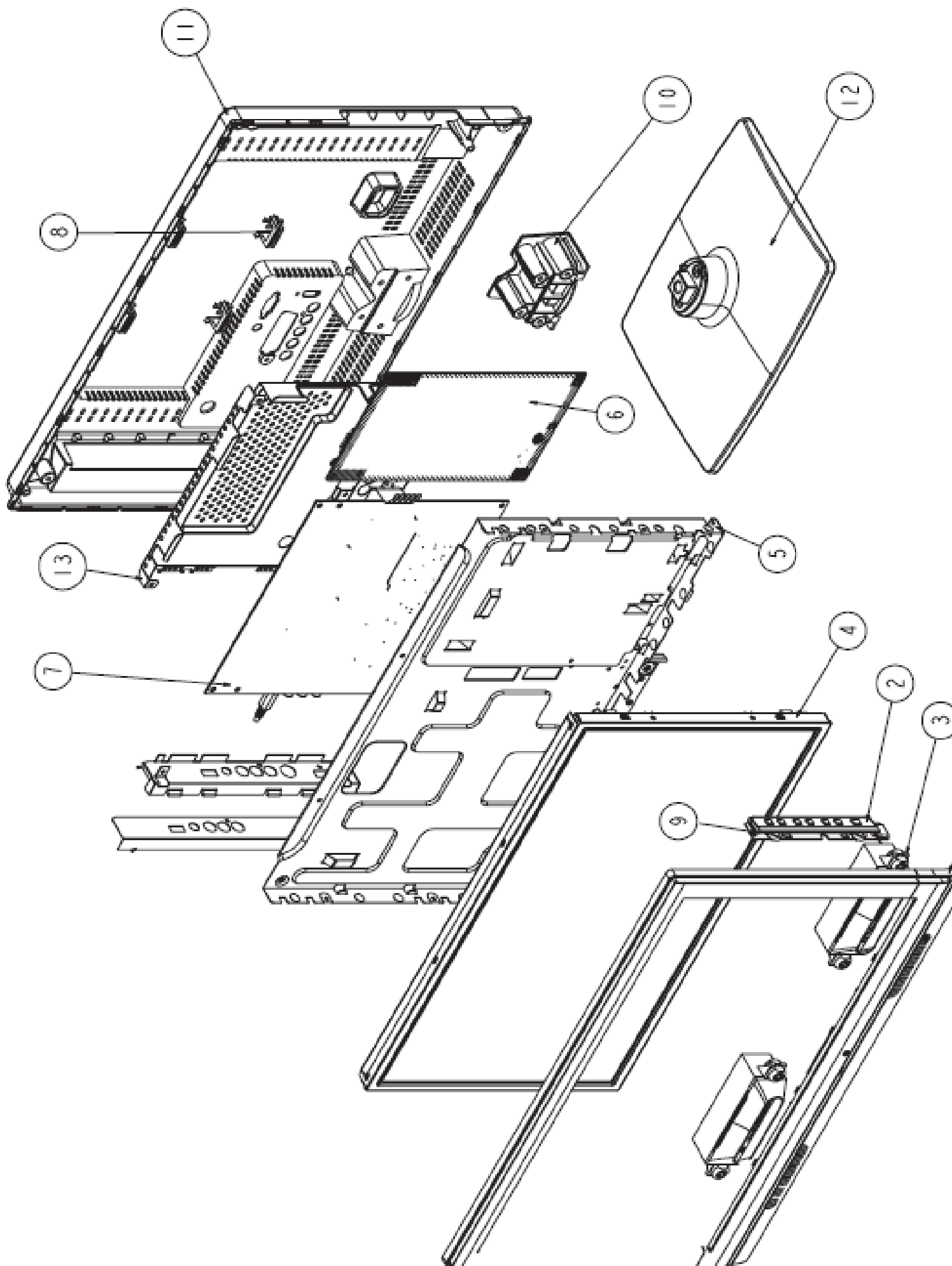
FB905	9JR7100000028	071G 55 8	FERRITE BEAD	1
FB980	9JR7100000029	071G 55909	FERRITE CORE 2.5*3*0.8 BF-L25030W-768	1
FB982	9JR7100000029	071G 55909	FERRITE CORE 2.5*3*0.8 BF-L25030W-768	1
FB983	9JR7100000029	071G 55909	FERRITE CORE 2.5*3*0.8 BF-L25030W-768	1
FB984	9JR7100000029	071G 55909	FERRITE CORE 2.5*3*0.8 BF-L25030W-768	1
FB985	9JR7100000001	071G 55 19 T	FERRITE BEAD D9X3. 5X0.8	1
IC901	9JR5600000109	056G 379901	IC SG6961SZ SOP8	1
IC931	9JR5600000114	056G 581 7	IC TNY277PN DIP-8C	1
IC932	9JR5600000057	056G 139 7 1	IC EL817MA M-TYPE	1
IC951	9JR5600000075	056G 665 10 1	IC RESONANT L6599DTR SO-16N ST	1
IC952	9JR5600000057	056G 139 7 1	IC EL817MA M-TYPE	1
IC953	9JR5600000058	056G 158 10 T	IC AS431AZTR-E1 TO-92	1
IC982	9JR5600000058	056G 158 10 T	IC AS431AZTR-E1 TO-92	1
IC991	9JR5600000057	056G 139 7 1	IC EL817MA M-TYPE	1
L901	9JR7300000041	073G 174935 L	LINE FILTER 15mH 1.8A LF-011378	1
L902	9JR7300000053	073G 174106 L	LINE FILTER 13mH LF-1008108	1
L904	9JR7100000043	071G 55 21	FERRITE BEAD	1
L905	9JR7100000043	071G 55 21	FERRITE BEAD	1
L906	9JR7300000058	073G 174937 L	PFC CHOKE 600uH 5% CC-012380	1
L931	9JR7300000037	073G 253 91 H	CHOKE COIL	1
L932	9JR7300000037	073G 253 91 H	CHOKE COIL	1
L980	9JR7300000037	073G 253 91 H	CHOKE COIL	1
NR901	9JR6100000591	061G 58030 WL	RST NTCR 3 OHM +-20% 5A THINKING	1
Q901	9JR5700000072	057G 667 49	FET 2SK4086LS 11.5A/600V TO-220FI(LS)	1
Q931	9JR5700000044	057G 420519 T	BC857C	1
Q945	9JR5700000045	057G 420903 T	TRA SIG BC327-40 (KEC0) A	1
Q951	9JR5700000071	057G 611905	MOSFET 2SK4096LS TO-220FI	1
Q952	9JR5700000071	057G 611905	MOSFET 2SK4096LS TO-220FI	1
Q988	9JR5700000002	057G 419513	BC847C	1
Q989	9JR5700000002	057G 419513	BC847C	1
R901	9JR6100000667	061G1206224 T	RST CHIP 220K 1/4W 5%	1
R902	9JR6100000667	061G1206224 T	RST CHIP 220K 1/4W 5%	1
R903	9JR6100000667	061G1206224 T	RST CHIP 220K 1/4W 5%	1
R905	9JR6100000303	061G0805104 T	RST CHIP 100K 1/8W 5%	1
R907	9JR6100000652	061G0805243 T	RST CHIP 24K 1/8W 5%	1
R908	9JR6100000656	061G0805333 T	RST CHIP 33K 1/8W 5%	1
R909	9JR6100000661	061G08056800FT	RST CHIP 680R 1/8W 1%	1
R910	9JR6100000664	061G12061004FT	RST CHIP R 1 MOHM +-1% 1/4W	1
R911	9JR6100000664	061G12061004FT	RST CHIP R 1 MOHM +-1% 1/4W	1
R912	9JR6100000664	061G12061004FT	RST CHIP R 1 MOHM +-1% 1/4W	1
R913	9JR6100000365	061G08051802FT	RST CHIP 18K 1/8W 1%	1
R915	9JR6100000670	061G208M27852T	0.27 OHM 5% 1W	1
R916	9JR6100000660	061G0805513 T	RST CHIP 51K 1/8W 5%	1
R917	9JR6100000595	061G 60233152T TZ	RST CFR 330R 1/6W 5%	1
R919	9JR6100000647	061G0805151 T	RST CHIP 150R 1/8W 5%	1
R930	9JR6100000599	061G 60247552T TZ	RST CHIP 4M7 1/6W 5%	1
R931	9JR6100000303	061G0805104 T	RST CHIP 100K 1/8W 5%	1
R932	9JR6100000592	061G 60210352T TZ	RST CFR 10K 1/6W 5%	1
R933	9JR6100000668	061G1206475 T	RST CHIP 4M7 1/4W 5%	1
R934	9JR6100000668	061G1206475 T	RST CHIP 4M7 1/4W 5%	1
R935	9JR6100000668	061G1206475 T	RST CHIP 4M7 1/4W 5%	1
R937	9JR6100000594	061G 60222052T TZ	RST CFR 22R 1/6W 5%	1
R938	9JR6100000169	061G 60210152T TZ	RST CFR 100R 1/6W 5%	1

R939	9JR6100000659	061G0805472 T	RST CHIP 4K7 1/8W 5%	1
R945	9JR6100000598	061G 60247352T TZ	RST CFR 47K 1/6W 5%	1
R946	9JR6100000364	061G0805153 T	RST CHIP 15K 1/8W 5%	1
R955	9JR6100000593	061G 60210452T TZ	RST CFR 100K 1/6W 5%	1
R956	9JR6100000656	061G0805333 T	RST CHIP 33K 1/8W 5%	1
R957	9JR6100000596	061G 60233252T TZ	RST CFR 3K3 1/6W 5%	1
R958	9JR6100000368	061G08052702FT	RST CHIP 27K 1/8W 1%	1
R959	9JR6100000304	061G0805105 T	RST CHIP 1M 1/8W 5%	1
R960	9JR6100000300	061G0805101 T	RST CHIP 100R 1/8W 5%	1
R961	9JR6100000660	061G0805513 T	RST CHIP 51K 1/8W 5%	1
R962	9JR6100000300	061G0805101 T	RST CHIP 100R 1/8W 5%	1
R963	9JR6100000660	061G0805513 T	RST CHIP 51K 1/8W 5%	1
R964	9JR6100000307	061G0805220 T	RST CHIP 22R 1/8W 5%	1
R965	9JR6100000315	061G0805682 T	RST CHIP 6K8 1/8W 5%	1
R966	9JR6100000650	061G0805222 T	RST CHIP 2K2 1/8W 5%	1
R967	9JR6100000655	061G0805331 T	RST CHIPR 330 OHM +-5% 1/8W	1
R968	9JR6100000656	061G0805333 T	RST CHIP 33K 1/8W 5%	1
R969	9JR6100000665	061G1206102 T	RST CHIP 1K 1/4W 5%	1
R970	9JR6100000651	061G0805223 T	RST CHIP 22K 1/8W 5%	1
R971	9JR6100000654	061G0805330 T	RST CHIP 33R 1/8W 5%	1
R972	9JR6100000649	061G08052202FT	RST CHIP 22K 1/8W 1%	1
R973	9JR6100000366	061G08052201FT	RST CHIP 2K2 1/8W 1%	1
R974	9JR6100000669	061G1206512 T	RST CHIP 5K1 1/4W 5%	1
R975	9JR6100000648	061G08052001FT	RST CHIP 2K 1/8W 1%	1
R977	9JR6100000302	061G0805103 T	RST CHIP 10K 1/8W 5%	1
R978	9JR6100000659	061G0805472 T	RST CHIP 4K7 1/8W 5%	1
R980	9JR6100000653	061G0805272 T	RST CHIP 2K7 1/8W 5%	1
R981	9JR6100000658	061G08054702FT	RST CHIP 47K 1/8W 1%	1
R982	9JR6100000657	061G0805470 T	RST CHIP 47R 1/8W 5%	1
R983	9JR6100000597	061G 60247152T TZ	RST CFR 470R 1/6W 5%	1
R984	9JR6100000646	061G0805123 T	RST CHIP 12K 1/8W 5%	1
R985	9JR6100000302	061G0805103 T	RST CHIP 10K 1/8W 5%	1
R988	9JR6100000369	061G0805474 T	RST CHIP 470K 1/8W 5%	1
R989	9JR6100000361	061G 60210052T TZ	RST CFR 10R 1/6W 5%	1
R990	9JR6100000663	061G1206100 T	RST CHIP 10R 1/4W 5%	1
R991	9JR6100000362	061G08051202FT	RST CHIP 12K 1/8W 1%	1
R992	9JR6100000365	061G08051802FT	RST CHIP 18K 1/8W 1%	1
R993	9JR6100000368	061G08052702FT	RST CHIP 27K 1/8W 1%	1
R995	9JR6100000309	061G0805332 T	RST CHIP 3K3 1/8W 5%	1
R998	9JR6100000302	061G0805103 T	RST CHIP 10K 1/8W 5%	1
RV901	9JR6100000292	061G 46906 W	VARISTOR 560V TVR14561KFC4FY	1
RV903	9JR6100000291	061G 46902	VARISTOR 510V TVR14511KFC4FY	1
SG901	9JR6200000004	062G 10 18 KW	SURGE PROTECT GS41-201MA A	1
SG902	9JR6200000004	062G 10 18 KW	SURGE PROTECT GS41-201MA A	1
SG903	9JR6200000004	062G 10 18 KW	SURGE PROTECT GS41-201MA A	1
SG904	9JR6200000004	062G 10 18 KW	SURGE PROTECT GS41-201MA A	1
T901	9JR8000000015	080GL42T916 L	XFMR 950uH PT-009601-3	1
T902	9JR8000000014	080GL32P956 L	XFMR 1.5mH 5% PT-012351	1
ZD930	9JR9300000004	093G 3992152T	DIODE BZX79-C9V1 DO-35	1
ZD931	9JR9300000002	093G 3990752T	DIO REG BZX79-C5V1 A (PHSE) A	1
ZD980	9JR9300000033	093G 3919352T	TVS P6KE160A DO-15	1
ZD981	9JR9300000121	093G 3990252T	BZX79-C15	1



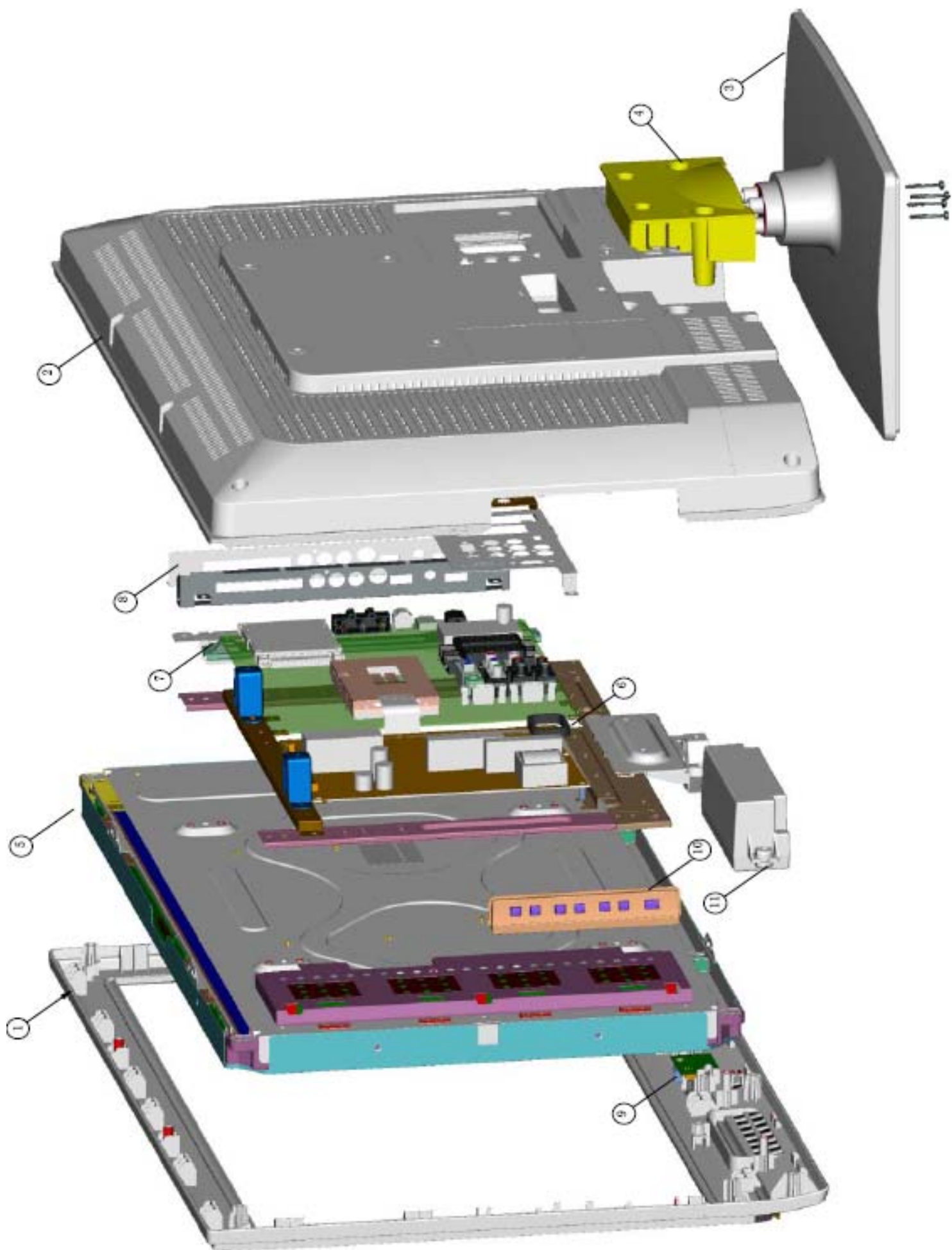
<b>1112</b>	<b>9JR9900000029</b>	<b>IRPF9PB4</b>	<b>IR PCB ASSY</b>	<b>1</b>
U001	9JR5600000021	056T 627902	IC TSOP34438ST1	1
CN001	9JR3300000036	033G8032 5F X	WAFER 5P 1.25MM S1315-05RVB-S01-K	1
Q001	9JR5700000002	057G 419513	BC847C	1
Q002	9JR5700000002	057G 419513	BC847C	1
R006	9JR6100000285	061G0603101 T	RST CHIP 100R 1/10W 5%	1
R001	9JR6100000286	061G0603102 T	RST CHIP 1K 1/10W 5%	1
R007	9JR6100000287	061G0603103 T	RST CHIP 10K 1/10W 5%	1
R008	9JR6100000287	061G0603103 T	RST CHIP 10K 1/10W 5%	1
R002	9JR6100000288	061G0603221 T	RST CHIP 220R 1/10W 5%	1
R003	9JR6100000289	061G0603222 T	RST CHIP 2K2 1/10W 5%	1
R004	9JR6100000289	061G0603222 T	RST CHIP 2K2 1/10W 5%	1
R005	9JR6100000290	061G0603272 T	RST CHIP 2K7 1/10W 5%	1
C003	9JR6500000164	065G060310437Z Y	CAP CHIP 0603 100N 50V Y5V -20%+80%	1
C001	9JR6500000165	065G0603105A7Z Y	CAP CHIP 0603 1U 10V Y5V -20%+80%	1
LED001	9JR8100000001	081T 14908 KB	LED SM KPB-3025SURKCGKC	1
<b>1114</b>	<b>9JR9900000030</b>	<b>KEPF9PA8</b>	<b>KEY PCB ASSY</b>	<b>1</b>
C016	9JR6500000166	065G060310422K Y	CAP CHIP 0603 100N 25V X7R +/-10%	1
C023	9JR6500000166	065G060310422K Y	CAP CHIP 0603 100N 25V X7R +/-10%	1
C024	9JR6500000166	065G060310422K Y	CAP CHIP 0603 100N 25V X7R +/-10%	1
CN016	9JR3300000037	033G8032 4F X	WAFER 4P 1.25MM	1
R016	9JR6100000289	061G0603222 T	RST CHIP 2K2 1/10W 5%	1
R017	9JR6100000289	061G0603222 T	RST CHIP 2K2 1/10W 5%	1
R018	9JR6100000110	061T0603471 T	RST CHIP 470R 1/10W 5%	1
R019	9JR6100000250	061T0603562 T	RST CHIP 5K6 1/10W 5%	1
R021	9JR6100000110	061T0603471 T	RST CHIP 470R 1/10W 5%	1
R022	9JR6100000250	061T0603562 T	RST CHIP 5K6 1/10W 5%	1
SW016	9JR7700000003	077G 607 2 FD	TACT SW BY FORWARD SFKQGMA2125T-PL	1
SW017	9JR7700000003	077G 607 2 FD	TACT SW BY FORWARD SFKQGMA2125T-PL	1
SW018	9JR7700000003	077G 607 2 FD	TACT SW BY FORWARD SFKQGMA2125T-PL	1
SW019	9JR7700000003	077G 607 2 FD	TACT SW BY FORWARD SFKQGMA2125T-PL	1
SW020	9JR7700000003	077G 607 2 FD	TACT SW BY FORWARD SFKQGMA2125T-PL	1
SW021	9JR7700000003	077G 607 2 FD	TACT SW BY FORWARD SFKQGMA2125T-PL	1
SW022	9JR7700000003	077G 607 2 FD	TACT SW BY FORWARD SFKQGMA2125T-PL	1

[2] CABINET PARTS(19")



LC-19S7E-BK				
No	Parts code	Sharp code	Description	Qty
1	705GZ934125	9JR7050000046	Bezel Assy	1
2	705GZ934128	9JR7050000049	Key PAD Assy	1
3	078G0030904 M	9JR7800000005	SPK BOX	2
4	750TVM185B1112N0SH	9JR7500000014	PANEL	1
5	705GZ915020	9JR7050000045	MAIN FRAME	1
6	PWTV9942LPR1	9JR9900000026	POWER BOARD	1
7	CBPF93KBP5	9JR9900000023	SCALER BOARD	1
8	IRPF9PB2	9JR9900000024	IR BOARD	1
9	KEPF9PA6	9JR9900000025	KEY BOARD	1
10	P34T0369PAA 1T0100	9JR3400000006	NECK	1
11	705GZ934126	9JR7050000047	BACK COVER ASSY	1
12	705GZ934127	9JR7050000048	BASE ASSY	1
13	P85T0113101	9JR8500000004	SHIELDING ATV	1

**CABINET PARTS(26" & 32")**

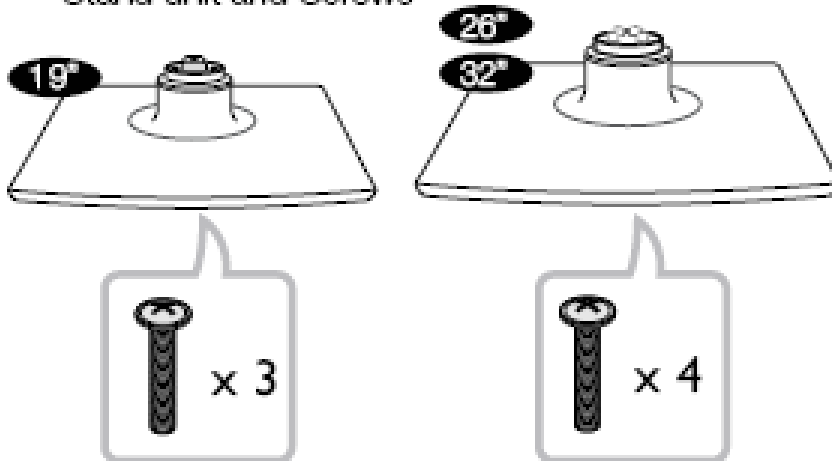


LC-26S7E-BK			
Item	Code no	SHARP code	Description
1	705GZ934138	9JR7050000054	BEZEL ASSY
2	705GZ934140	9JR7050000055	REAR COVER ASSY
3	705GZ934141	9JR7050000056	STAND ASSY
4	P34T0377PAA 1T0100	9JR3400000007	NECK
5	750TVM260B2111N0SP	9JR7500000015	PANEL V260B2-L01 26" CMO TW
6	ADTV92407PA1	9JR9900000027	POWER PCB ASSY
7	CBPF93KBP6	9JR9900000028	MAIN PCB ASSY
8	P85T0109101	9JR8500000005	SHIELDING_ATV
9	IRPF9PB4	9JR9900000029	IR PCB ASSY
10	KEPF9PA8	9JR9900000030	KEY PCB ASSY
11	078G0050905 M	9JR7800000006	Speaker+wire assembly 16ohm/5w 135X41mm

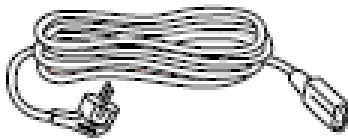
LC-32S7E-BK			
Item	Code no	SHARP code	Description
1	705GZ934198	9JR7050000105	BEZEL ASSY
2	705GZ934199	9JR7050000106	REAR COVER ASSY
3	705GZ934144	9JR7050000104	STAND ASSY
4	P34T0385PAA 1T0100	9JR3400000009	NECK
5	750TVA315Z9411Z0SP	9JR7500000021	PANEL LK315T3LZ94 JP SHARP
6	ADTV92415PA2	9JR9900000043	POWER PCB ASSY
7	CBPF93KBP7	9JR9900000044	MAIN PCB ASSY
8	P85T0116101	9JR8500000006	SHIELDING_ATV
9	IRPF9PB4	9JR9900000029	IR PCB ASSY
10	KEPF9PA8	9JR9900000030	KEY PCB ASSY
11	078G0050 2 Y	9JR7800000010	SPEAKER 16 OHM 5W 850/400mm 135X41mm

### [3] SUPPLIED ACCESSORIES

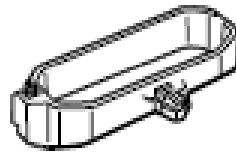
#### Stand unit and Screws



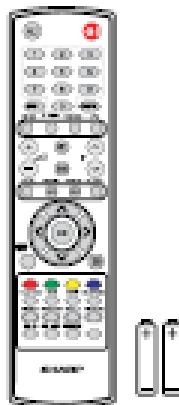
AC cord (x1)  
Product shape varies in  
some countries



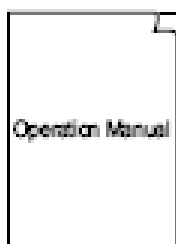
Cable clamp (x1)  
Attached in the back of  
the TV.



Remote control unit (x1)  
AAA battery (x2)



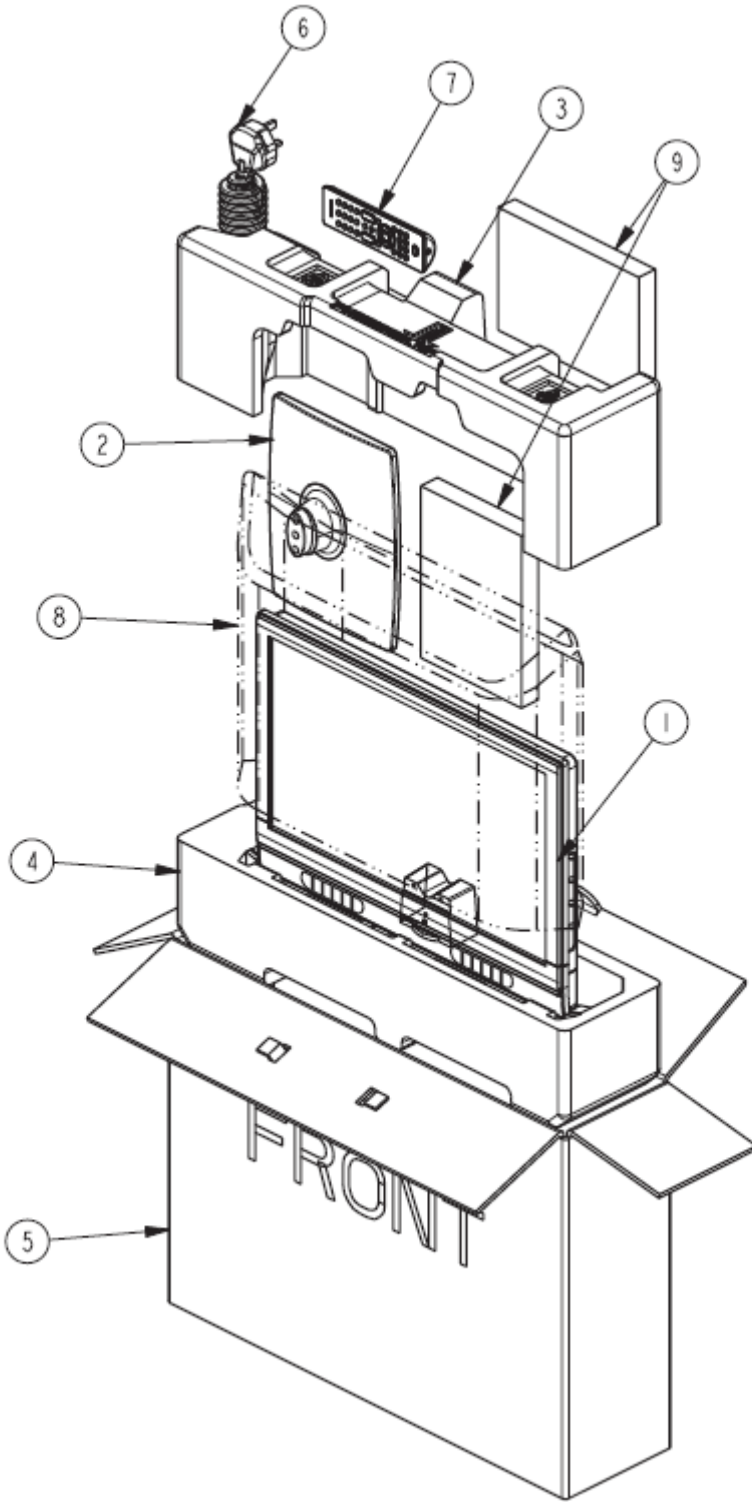
Operation manual



Quick Setup Guide

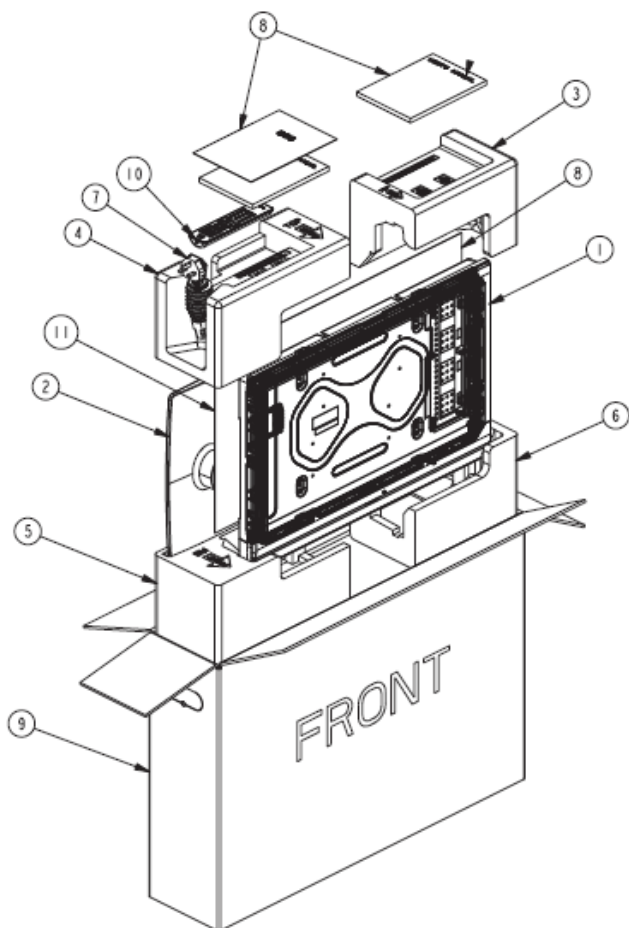


[4] PACKING PARTS(19")



ITEM	DESCRIPTION	COMPONENTS CODE	SHARP CODE
1	SET BODY	LC-19S7E-BK	
2	BASE W/PE BAG	705GZ934125	9JR7050000046
3	CHSION-TOP	P44G9020101	9JR4400000026
4	CUSHION-BOTTOM	P44G9020201	9JR4400000027
5	CARTON	P44G9020843 1A	9JR4400000028
6	POWER CODE EU W/PE BAG	089G204A15NLS1	9JR8900000009
7	REMOTE CONTROL W/PE BAG	098GRABD1NESPJ	9JR9800000003
8	PROTECTIVE BAG	P45G 46026	9JR4500000010
9	DFU BAG	705GZ941051	9JR7050000050

**[4] PACKING PARTS(26" & 32")**



ITEM	DESCRIPTION	COMPONENTS CODE	SHARP CODE
1	SET BODY	LC-26S7E-BK	
2	BASE W/PE BAG	705GZ934138	9JR7050000054
3	CHSION-TR	P44GE015201	9JR4400000030
4	CUSHION-TL	P44GE015101	9JR4400000029
5	CHSION-BL	P44GE015301	9JR4400000031
6	CUSHION-BR	P44GE015401	9JR4400000032
7	POWER CODE EU W/PE BAG	089G204A15NLS1	9JR8900000009
8	DFU BAG	705GZ941055	9JR7050000057
9	CARTON	P44GE015843 1A	9JR4400000033
10	REMOTE CONTROL W/PE BAG	098GRABD1NESPJ	9JR9800000003
11	PROTECTIVE BAG	P45T 46025	9JR4500000007

ITEM	DESCRIPTION	COMPONENTS CODE	SHARP CODE
1	SET BODY	LC-32S7E-BK	
2	STAND ASSY	705GZ934144	9JR7050000069
3	CHSION-TR	P44GJ020201	9JR4400000037
4	CUSHION-TL	P44GJ020101	9JR4400000036
5	CHSION-BL	P44GJ020301	9JR4400000038
6	CUSHION-BR	P44GJ020401	9JR4400000039
7	POWER CORD 1.5M PE8C5Z1B90A-04B	089G204A15NLS1	9JR8900000009
8	DFU BAG	705GZ941051	9JR7050000050
9	CARTON	P44GJ020843 1A	9JR4400000042
10	REMOTE CONTROL W/PE BAG	098GRABD1NESPJ	9JR9800000003
11	PROTECTIVE BAG	P45T 46024	9JR4500000006



# SHARP

**COPYRIGHT © 2008 BY SHARP CORPORATION**

**ALL RIGHTS RESERVED.**

No Part of this publication may be reproduced, stored in a retrieval system, or transmitted in any form or by any means, electronic, mechanical, photocopying, recording, or otherwise, without prior written permission of the publisher.

SHARP CORPORATION  
SHARP ELECTRONICS(Europe) GmbH  
Sonnistraße 3, D-20097 Hamburg