

# LC06511DMX, LC06511FMX, LC06514DMX

## Battery Protection IC, OTP Function, 1-Cell Lithium-Ion Battery

### Overview

LC06511DMX/LC06514DMX is a protection IC for 1 cell lithium-ion or lithium-polymer battery with built-in OTP. It provides highly accurate adjustable over-charge, over-discharge, over-current protection with adjustable detection delay by OTP. Current is detected by high precision external chip resistor. Which realizes accurate current detection over temperature.

### Function

- Highly Accurate Detection Voltage/Current at Ta = 25°C, VCC = 3.8 V
- Over Charge Detection Voltage
  - ◆ 4.1 V to 4.55 V (5 mV step)
- Over Charge Release Hysteresis
  - ◆ 0 V to 0.2 V (0 V, 0.1 V, 0.15 V, 0.2 V)
- Over Discharge Detection Voltage
  - ◆ 2.0 V to 3.3 V (50 mV step)
- Over Discharge Release Hysteresis2
  - ◆ 0 V, 0.2 V, 0.3 V, 0.4 V
- Discharge Over Current Detection Voltage1
  - ◆ 3 mV to 70 mV (1 mV step)
- Discharge Over Current Detection Voltage2
  - ◆ 3 mV to 70 mV (1 mV step)
- Short Current Detection Voltage
  - ◆ 50 mV to 150 mV (10 mV step)
- Charge Over Current Detection Voltage
  - ◆ -70 mV to -3 mV (-1 mV step)
- Over-discharge Detection Delay Time
  - ◆ 32 ms, 64 ms, 128 ms, 256 ms
- Discharge Over-current Detection Delay Time1
  - ◆ 8 ms, 16 ms, 2048 ms, 3482 ms
- 0 V Battery Charging
  - ◆ “Permit (LC06511DMX)”, “Inhibit (LC06514DMX)”
- Auto Wake-up Function Battery Charging “Permit”
- This is a Pb-Free Device

### Typical Applications

- Smart Phone
- Tablet
- Wearable Device



ON Semiconductor®

[www.onsemi.com](http://www.onsemi.com)



X2DFN6 1.4x1.4, 0.5P  
CASE 716AF

### MARKING DIAGRAM



XX = Specific Device Code  
M = Month Code  
■ = Pb-Free Package

(Note: Microdot may be in either location)

### ORDERING INFORMATION

Device	Package	Shipping†
LC06511D01MXTAG	X2DFN6 (Pb-Free)	4000 / Tape & Reel
LC06511D02MXTAG	X2DFN6 (Pb-Free)	4000 / Tape & Reel
LC06511D04MXTAG	X2DFN6 (Pb-Free)	4000 / Tape & Reel
LC06511F03MXTAG	X2DFN6 (Pb-Free)	4000 / Tape & Reel
LC06514D01MXTAG	X2DFN6 (Pb-Free)	4000 / Tape & Reel

†For information on tape and reel specifications, including part orientation and tape sizes, please refer to our Tape and Reel Packaging Specification Brochure, BRD8011/D.

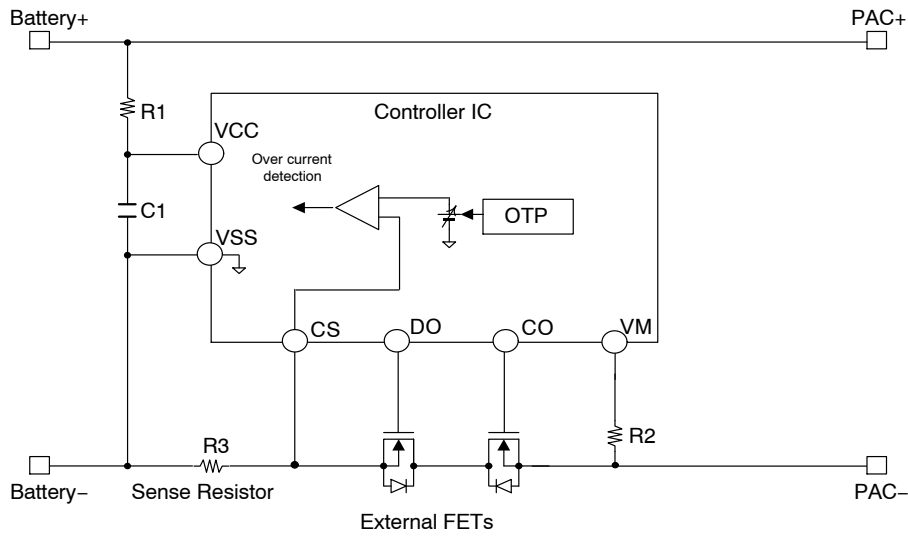
# LC06511DMX, LC06511FMX, LC06514DMX

**Table 1. ABSOLUTE MAXIMUM RATINGS**

Parameter	Symbol	Conditions	Ratings	Unit
Supply voltage	VCC		-0.3 to 12.0	V
CS terminal Input voltage	VCS		-0.3 to 7	V
VM terminal Input voltage	VVM		VCC-24.0 to VCC+0.3	V
CO terminal voltage	VCO		VCC-24.0 to VCC+0.3	V
DO terminal voltage	VDO		VCC-0.3 to VCC+0.3	V
Storage temperature	Tstg		-55 to +125	°C
Operating ambient temperature	Topr		-40 to +85	°C
Junction temperature	Tj		125	°C

Stresses exceeding those listed in the Maximum Ratings table may damage the device. If any of these limits are exceeded, device functionality should not be assumed, damage may occur and reliability may be affected.

## EXAMPLE OF APPLICATION CIRCUIT



**Figure 1. Example of Application Circuit**

**Table 2.**

Components	Min	Recommended Value	Max	Unit	Description
R1	0.1	0.33	1	kΩ	Battery+ is filtered to VCC by R1 and C1
R2	0.1	1	2	kΩ	Protection from reverse connection of charger
C1	0.01	0.1	1.0	μF	Battery+ is filtered to VCC by R1 and C1
R3	1		20	mΩ	Sence resistor for over-current detection

# LC06511DMX, LC06511FMX, LC06514DMX

**Table 3. ELECTRICAL CHARACTERISTICS** (R1 = 0.33 kΩ, R2 = 1 kΩ, VCC = 3.8 V (Note 1))

Parameter	Symbol	Conditions	Min.	Typ.	Max.	Unit	Test Circuit	
<b>Detection Voltage</b>								
Over-charge detection voltage	Vov	R1=0.33kΩ	Ta=25°C	Vov_set -10	Vov_set	Vov_set +10	mV	B
			Ta=-20 to 60°C	Vov_set -15	Vov_set	Vov_set +15		
Over-charge release voltage	Vovr1	R1=0.33kΩ VM<Vcocr & CS=0V	Ta=25°C	Vovr_set -30	Vovr_set	Vovr_set +30	mV	B
			Ta=-20 to 60°C	Vovr_set -55	Vovr_set	Vovr_set +40		
	Vovr2	R1=0.33kΩ VM>Vcocr & CS=0V	Ta=25°C	Vov_set -15	Vov_set	Vov_set +10	mV	I
			Ta=-20 to 60°C	Vov_set -20	Vov_set	Vov_set +15		
Over-discharge detection voltage	Vuv	R1=0.33kΩ	Ta=25°C	Vuv_set -35	Vuv_set	Vuv_set +35	mV	B
			Ta=-20 to 60°C	Vuv_set -55	Vuv_set	Vuv_set +55		
Over-discharge release voltage1	Vuvr1	R1=0.33kΩ VM = 0 V	Ta = 25°C	Vuv_set - 35	Vuv_set	Vuv_set + 50	mV	B
			Ta = -20 to 60°C	Vuv_set - 55	Vuv_set	Vuv_set + 80		
Over-discharge release voltage2	Vuvr2	R1=0.33kΩ VM=OPEN	Ta=25°C	Vuvr_set -100	Vuvr_set	Vuvr_set +100	mV	D
			Ta=-20 to 60°C	Vuvr_set -110	Vuvr_set	Vuvr_set +110		
Discharge over-current detection voltage (primary protection)	Vdoc1	R2=1kΩ VCC=3.8V	Ta=25°C	Vdoc1_set-1.0	Vdoc1_set	Vdoc1_set+1.0	mV	F
			Ta=-20 to 60°C	Vdoc1_set-1.8	Vdoc1_set	Vdoc1_set+1.8		
Discharge over-current detection voltage2 (secondary protection)	Vdoc2	R2=1kΩ VCC=3.8V	Ta=25°C	Vdoc2_set-1.0	Vdoc2_set	Vdoc2_set+1.0	mV	F
			Ta=-20 to 60°C	Vdoc2_set-1.8	Vdoc2_set	Vdoc2_set+1.8		
Discharge over-current detection voltage (Short circuit)	Vshrt	R2=1kΩ VCC=3.8V	Ta=25°C	Vshrt_set-10	Vshrt_set	Vshrt_set+10	mV	F
			Ta=-20 to 60°C	Vshrt_set-12	Vshrt_set	Vshrt_set+12		
Discharge over-current (Short circuit) release voltage	Vdocr	R2=1kΩ VCC=3.8V CS=0V	Ta=25°C	VCC-1.1	VCC-0.65	VCC-0.2	V	A
			Ta=-20 to 60°C	VCC-1.2	VCC-0.65	VCC-0.1		
Charge over-current detection voltage	Vcoc	R2=1kΩ VCC=3.8V	Ta=25°C	Vcoc_set-1.0	Vcoc_set	Vcoc_set+1.0	mV	F
			Ta=-20 to 60°C	Vcoc_set-1.8	Vcoc_set	Vcoc_set+1.8		
Charge over-current release voltage	Vcocr	R2=1kΩ VCC=3.8V CS=0V	Ta=25°C	0.08	0.2	0.32	V	A
			Ta=-20 to 60°C	0.05	0.2	0.35		

**Input Voltage**

0 V Battery Charge Permission Charger Voltage (LC06511DMX)	Vchg	VCC - VM VCC = VSS = 0 V	Ta=25°C			1.4	V	A
0 V Battery Charging Inhibition Battery Voltage (LC06514DMX)	Vinh	VM = -4 V	Ta=25°C	0.9	1.15	1.4	V	A

**Current Consumption**

Operating current	Icc	At normal state	Ta=25°C VCC=3.8V		3	6	μA	J
Stand-by current	Istb	At stand-by State	Ta=25°C VCC=2.0V			0.95	μA	J
		Auto wake-up =enable						

# LC06511DMX, LC06511FMX, LC06514DMX

**Table 3. ELECTRICAL CHARACTERISTICS** (R1 = 0.33 kΩ, R2 = 1 kΩ, VCC = 3.8 V (Note 1))

Parameter	Symbol	Conditions	Min.	Typ.	Max.	Unit	Test Circuit
<b>Resistance</b>							
Internal resistance (VCC-VM)	Rv <sub>mu</sub>	VCC=2.0V VM=0V	Ta=25°C	150	300	600	kΩ E
Internal resistance (VSS-VM)	Rv <sub>md</sub>	VCC=3.8V VM=0.1V	Ta=25°C	5	10	20	kΩ E
CO output resistance (High)	Rc <sub>oh</sub>	VCC=3.8V CO=3.3V CS=0V	Ta=25°C	6	12	24	kΩ H
CO output resistance (Low)	Rc <sub>ol</sub>	VCC=4.5V CO=0.5V CS=0V	Ta=25°C	0.5	0.7	2.0	kΩ H
DO output resistance (High)	Rd <sub>oh</sub>	VCC=3.8V DO=3.3V CS=0V	Ta=25°C	0.5	1.0	2.0	kΩ G
DO output resistance (Low)	Rd <sub>ol</sub>	VCC=2.0V CS=0V DO=0.5V	Ta=25°C	0.2	0.3	0.8	kΩ G

**Detection and Release Delay Time**

Over-charge detection delay time	Tov	VCC=3V to 4.6V VM=CS=0V	Ta=25°C	819	1024	1229	ms	B
			Ta=-20 to 60°C	717	1024	1331		
Over-charge release delay time	Tovr	VCC=4.6V to 3V VM=CS=0V	Ta=25°C	12.8	16	19.2	ms	B
			Ta=-20 to 60°C	11.2	16	20.8		
Over-discharge detection delay time	Tuv	VCC=3.5V to 1.8V VM=CS=0V	Ta=25°C	Tuv_set*0.8	Tuv_set	Tuv_set*1.2	ms	B
			Ta=-20 to 60°C	Tuv_set*0.65	Tuv_set	Tuv_set*1.35		
Over-discharge release delay time	Tuvr	VCC=1.8V to 3.5V VM=CS=0V	Ta=25°C	0.84	1.05	1.26	ms	B
			Ta=-20 to 60°C	0.68	1.05	1.42		
Discharge over-current detection delay time 1	Tdoc1	CS=0V to Vdoc1MAX VM=0V	Ta=25°C	Tdoc1_set*0.8	Tdoc1_set	Tdoc1_set*1.2	ms	F
			Ta=-20 to 60°C	Tdoc1_set*0.7	Tdoc1_set	Tdoc1_set*1.3		
Discharge over-current detection delay time 2	Tdoc2	VM=0V to Vdoc2MAX VM=0V	Ta=25°C	12.8	16	19.2	ms	F
			Ta=-20 to 60°C	11.2	16	20.8		
Discharge over-current release delay time	Tdocr	VM=3.8V to 2.65V CS=0V	Ta=25°C	3.2	4	4.8	ms	A
			Ta=-20 to 60°C	2.8	4	5.2		
Short-current detection delay time	Tshrt	CS=0V to VshrtMAX VM=0	Ta=25°C	175	250	325	μs	F
			Ta=-20 to 60°C	150	250	350		
Charge Over-current detection delay time	Tcoc	CS=0V to VcocMIN VM=0	Ta=25°C	12.8	16	19.2	ms	F
			Ta=-20 to 60°C	11.2	16	20.8		
Charge Over-current release delay time	Tcocr	VM=0V to VcocrMAX CS=0V	Ta=25°C	3.2	4	4.8	ms	F
			Ta=-20 to 60°C	2.8	4	5.2		

Product parametric performance is indicated in the Electrical Characteristics for the listed test conditions, unless otherwise noted. Product performance may not be indicated by the Electrical Characteristics if operated under different conditions.

1. The specifications in high temperature and low temperature are guaranteed by design.

# LC06511DMX, LC06511FMX, LC06514DMX

## TEST CIRCUITS

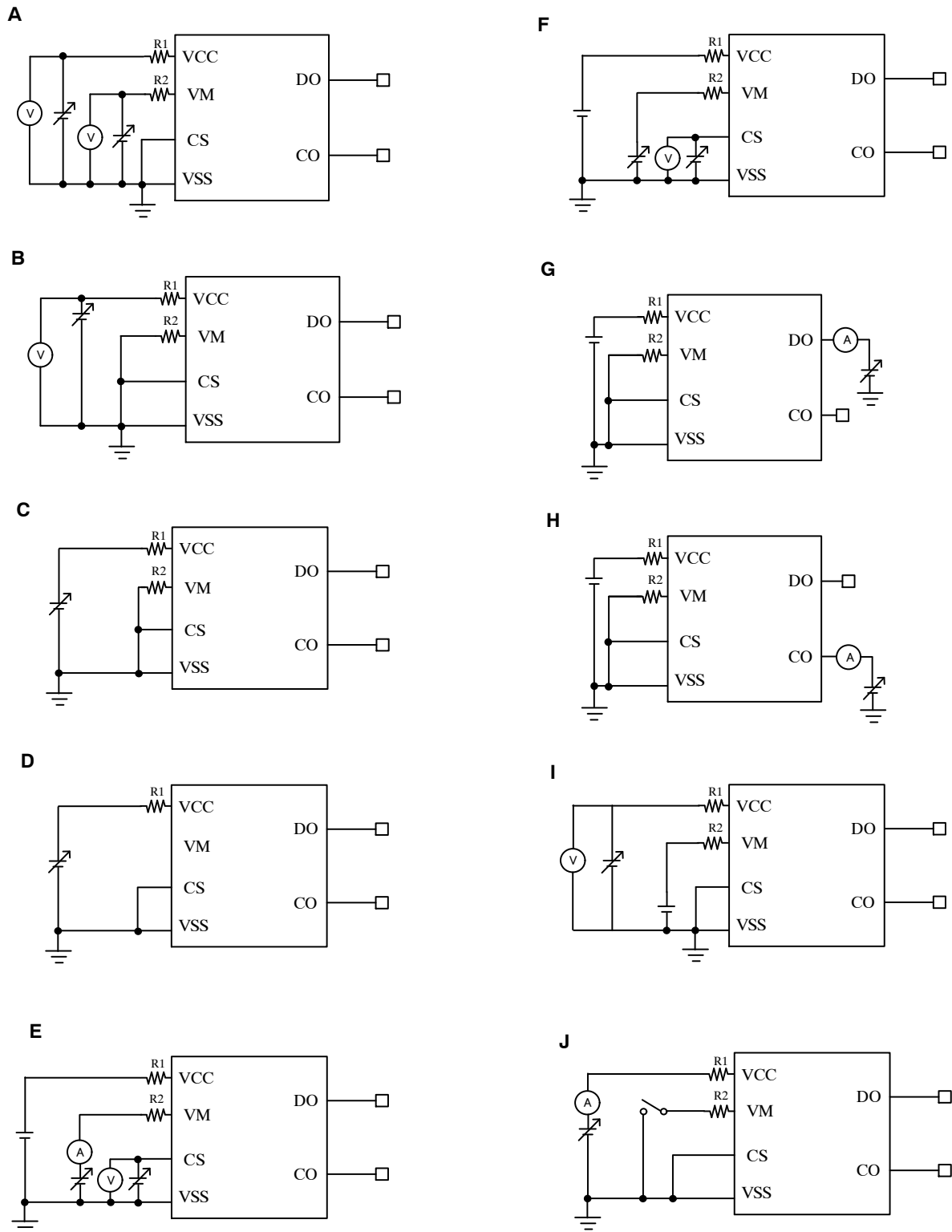


Figure 2. Test Circuits

## LC06511DMX, LC06511FMX, LC06514DMX

**Table 4. ADJUSTABLE PARAMETERS**

Parameter	Unit	Range	Typical Value Setting Guide
Vov	mV	4100 ~ 4550	5 mV step
Vovr	mV	Vov-Vovr_Hy	Vovr_Hy: 0,100,150,200 (4 steps)
Vuv	mV	2000 ~ 3300	50 mV step
Vuvr2	mV	Vuv+Vuvr2_Hy	Vuvr2_Hy: 0, 200, 300, 400 (4 steps)
Vdoc1	mV	3 ~ 70	1 mV step
Vdoc2	mV	3 ~ 70	1 mV step
Vshrt	mV	50 ~ 150	10 mV step
Vcoc	mV	-70 ~ -3	1 mV step

Parameter	Unit	Typical Value Setting Guide
Tuv	ms	32, 64, 128, 256
Tdoc1	ms	8, 16, 2048, 3482

**Table 5. SELECTION GUIDE**

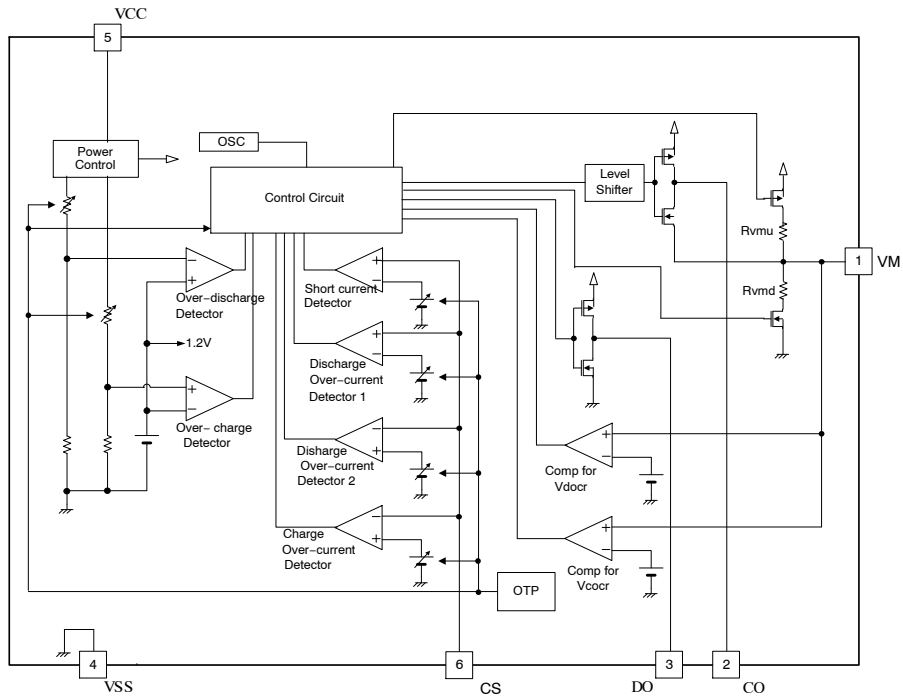
Device	Vov (mV)	Vovr (mV)	Vuv (mV)	Vuvr2 (mV)	Vdoc1 (mV)	Vdoc2 (mV)	Vshrt (mV)	Vcoc (mV)	Tuv (ms)	Tdoc1 (ms)	Specific Device Code
LC06511D01MXTAG	4475	4275	2600	2800	40	-	150	-30	32	16	LE
LC06511D02MXTAG	4225	4125	2500	2700	18	25	60	-12	32	16	LG
LC06511D04MXTAG	4430	4230	2800	3000	24	-	50	-12	32	8	LJ
LC06511F03MXTAG	4500	4350	2100	2300	10.5	15	40	-18	64	3482	LK
LC06514D01MXTAG	4550	4400	2600	2800	35	40	120	-40	32	3482	LF

# LC06511DMX, LC06511FMX, LC06514DMX

**Table 6. PIN FUNCTION**

Pin No.	Symbol	Pin Function
1	VM	Charger negative voltage input terminal
2	CO	Charge FET control terminal
3	DO	Discharge FET control terminal
4	VSS	VSS terminal
5	VCC	VCC terminal
6	CS	Over-current detection input terminal

## BLOCK DIAGRAM



**Figure 3. Block Diagram**

DESCRIPTION OF OPERATION

- The battery voltage is detected between VCC pin and VSS pin and the battery current is detected between VSS pin and CS pin.

**1. Normal state**

- “VCC voltage” is between “over-discharge detection voltage (Vuv)”, “over-charge detection voltage (Vov)”, and “CS voltage” is between “charge over-current detection voltage (Vcoc)”, “discharge over-current detection voltage (Vdoc)”, and “VM voltage” is lower than “dicharge over-current (short) release voltage (Vdocr)”.

This is the normal state. Both CO and DO are high level output. Charge and discharge is allowed.

**2. Over-charging state**

- “VCC voltage” is higher than or equal to “over-charge detection voltage (Vov)” for longer than “over-charge detection delay time (Tov)”.

This is the over-charging state, CO is low level output. Charge is prohibited.

- **Release from over-charging state 1**

“VM voltage” is lower than “charge over-current (short) release voltage (Vcocr)”. Then “VCC voltage” is lower than “over-charge release voltage (Vovr)” for longer than “over-charging release delay time (Tovr)”.

- **Release from over-charging state 2**

“VM voltage” is higher than “charge over-current (short) release voltage (Vcocr)”. Then “VCC voltage” is lower than “over-charge detection voltage (Vov)” for longer than “over-charge release delay time (Tovr)”.

**3. Over-discharging state**

- “VCC voltage” is lower than “over-discharge detection voltage (Vuv)” for longer than “over-discharge delay time (Tuv)”.

This is the over-discharging state, DO is low level output. Discharge is prohibited.

During over-discharging state, VM pin is pulled up to Vcc by internal resistor (Rvmu) and circuits are shut down. The low power consumption is kept.

- **Release from Over-discharging state 1**

Charger is connected, then “VCC voltage” goes higher than “over-discharge release voltage1 (Vuvr1)” for longer than “over-charge release delay time (Tuvr)”.

- **Release from over-discharging state (with auto wake-up feature) 2**

“VCC voltage” is higher than “over-discharge release voltage2 (Vuvr1)” without charger for longer than “over-charge release delay time (Tovr)”.

**4. Discharging over-current state**

- **Discharge over-current detection 1**

CS terminal is higher than or equal to “discharge over-current detection voltage (Vdoc1)” for longer than “discharge over-current detection delay time (Tdoc1)”. DO is low level output. Discharge is prohibited.

- **Discharge over-current detection 2**

CS terminal is higher than or equal to “discharge over-current detection voltage2 (Vdoc2)” for longer than “discharge over-current detection delay time 2 (Tdoc2)”.

DO is low level output. Discharge is prohibited.

- **Discharge over-current detection (Short circuit)**

CS terminal is higher than or equal to “discharge over-current detection voltage (Short circuit) (Vshrt)” for longer than “short-current detection delay time (Tshrt)”.

DO is low level output. Discharge is prohibited.

During discharging over-current state, VM pin is pulled down to Vss by internal resistor (Rvmd).

- **Release from discharging over-current state**

“CS voltage” goes lower than “discharge over-current detection voltage (Vdoc1)” and VM voltage goes lower than “discharge over-current (short) release voltage (Vdocr)” for longer than “discharge over-current release delay time (Tdocr)”.

**5. Charging over-current state**

- “CS voltage” goes lower than or equal to “charge over-current detection voltage (Vcoc) for longer than “charge over-current detection delay time (Tcoc)”.

This is the charging over-current state, CO is low level output. Charge is prohibited.

- **Release from charging over-current state**

“CS voltage” goes higher than “charge over-current detection voltage (Vcoc)” and “VM voltage” goes higher than “charge over-current release voltage (Vcocr)” for longer than “charge over-current release delay time (Tcocr)”.

**6. 0 V battery charging (LC06511DMX)**

- When the Battery voltage is lower than or equal to “0V battery charge permission voltage (Vchg)”, charge is allowed if charger voltage is higher than or equal “0V battery charge permission voltage (Vchg)”. CO is fixed by the “VCC voltage”.

**7. 0 V Battery Protection Function (LC06514DMX)**

- This function protects the battery when a short circuit in the battery (0 V battery) is detected, at which point charging will be prohibited. When the voltage of a battery is below “0 V battery charging inhibition battery voltage (Vinh)”, CO is low level output. Charge is prohibited.



TIMING CHARTS

Over Charge Voltage and Charge Over Current

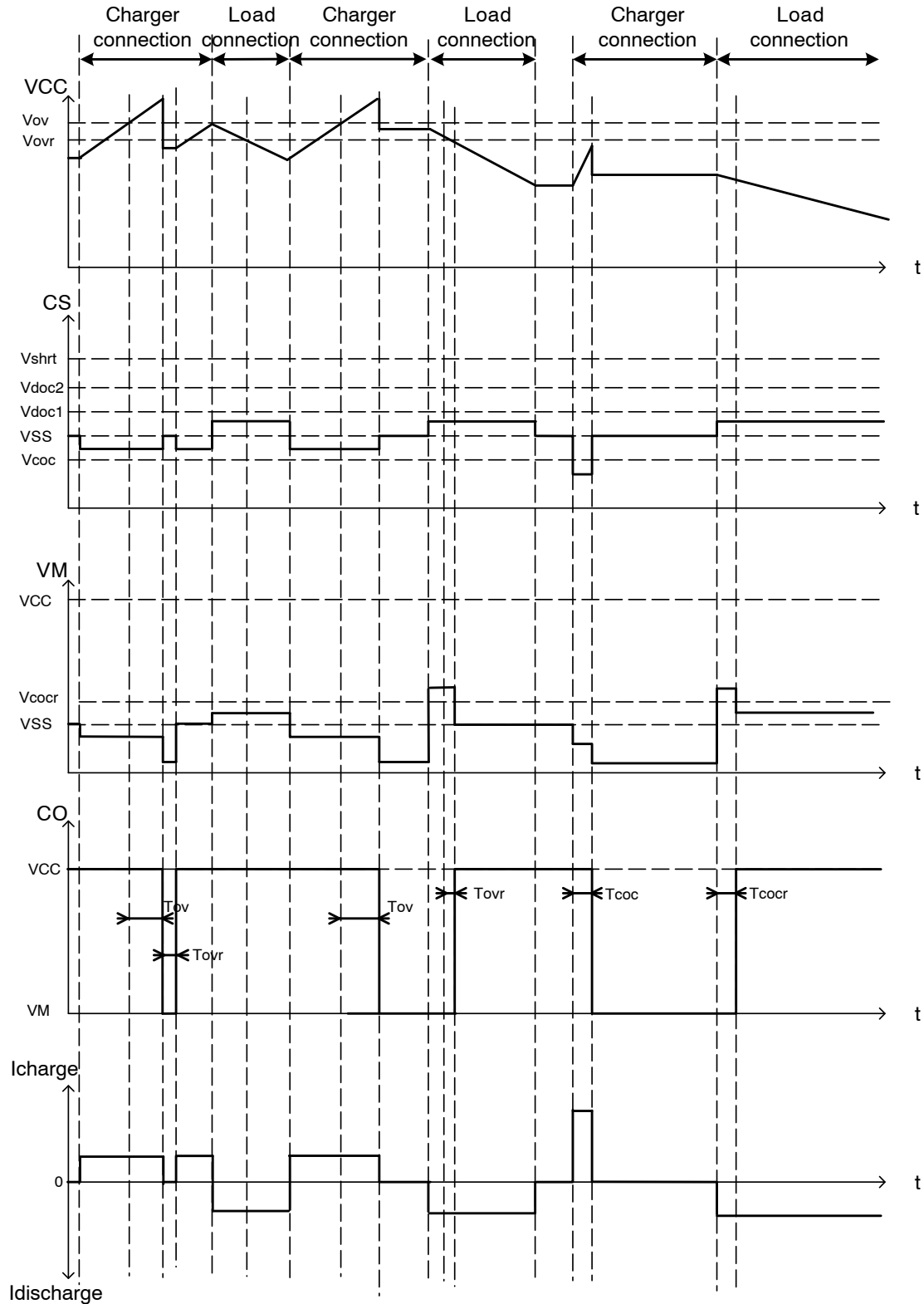


Figure 4. Over Charge Voltage and Charge Over Current

# LC06511DMX, LC06511FMX, LC06514DMX

## Over Discharge Detection and Release (with/without Charger)

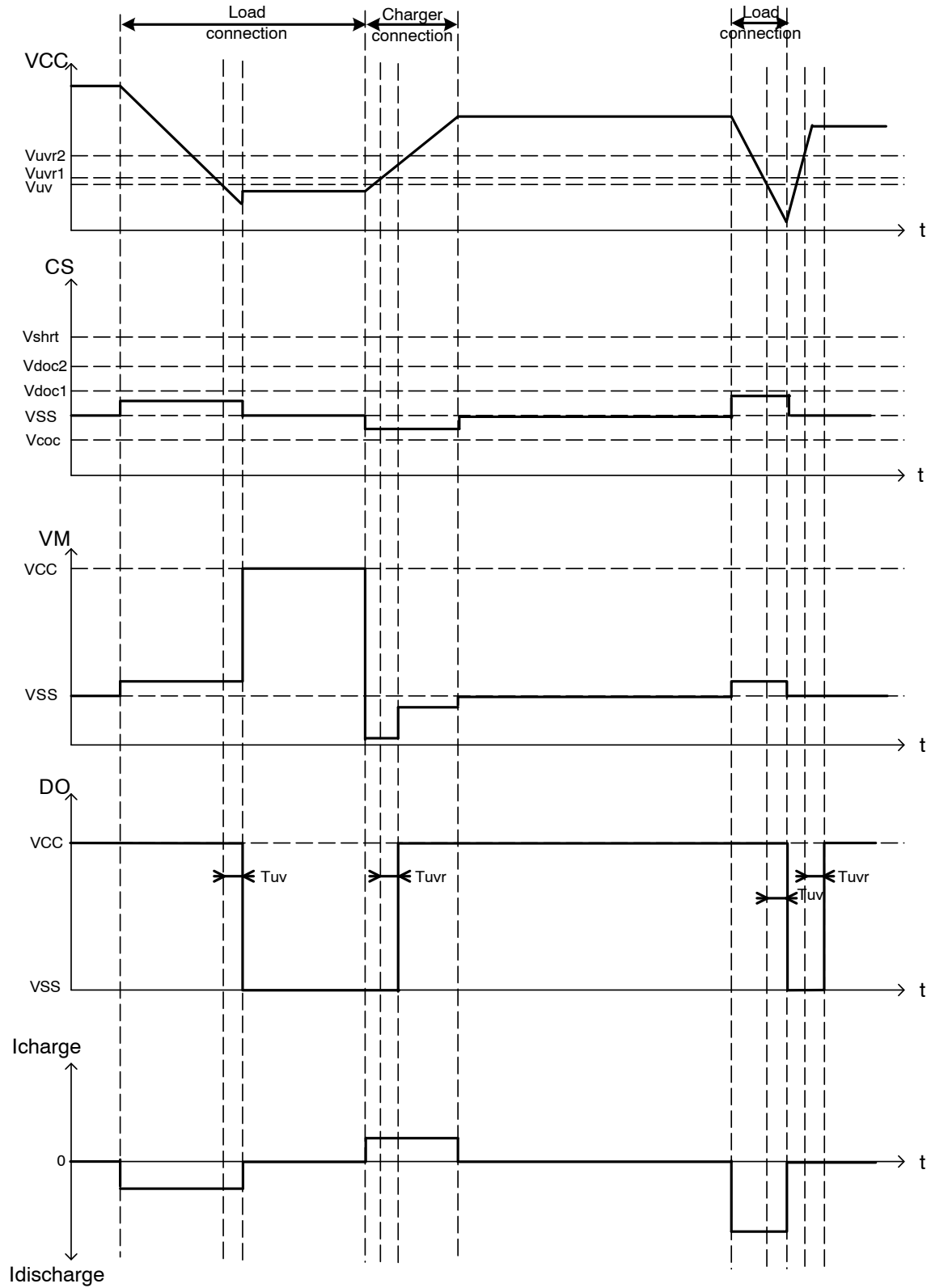


Figure 5. Over Discharge Detection and Release (with/without Charger)

# LC06511DMX, LC06511FMX, LC06514DMX

## Discharge Over Current and Short Current Detection and Release

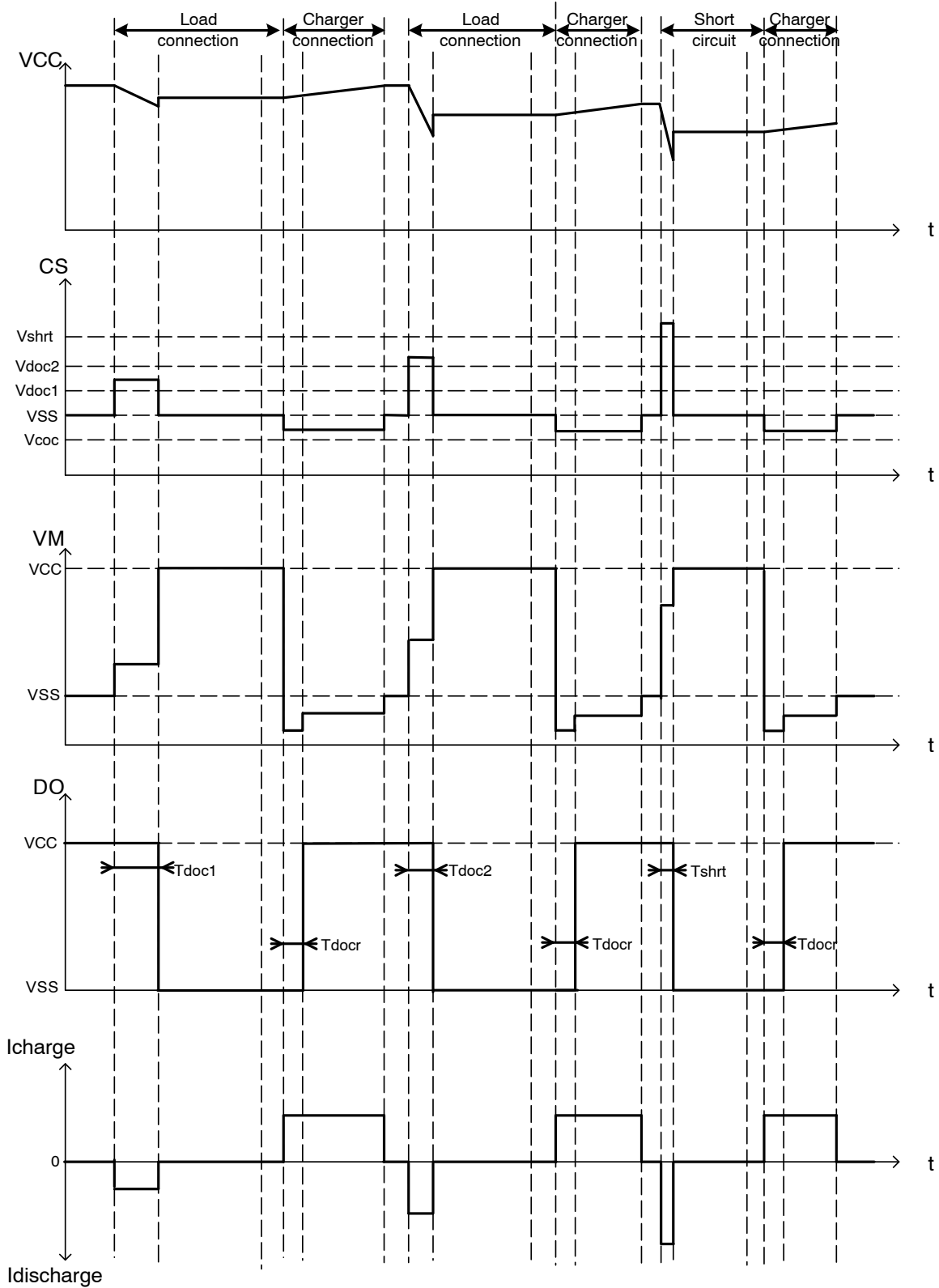


Figure 6. Discharge Over Current and Short Current Detection and Release

# LC06511DMX, LC06511FMX, LC06514DMX

## CHARACTERISTICS OF LC06511D01MX (TYPICAL DATA)

### (1) Current Consumption and Protection Detection Voltage

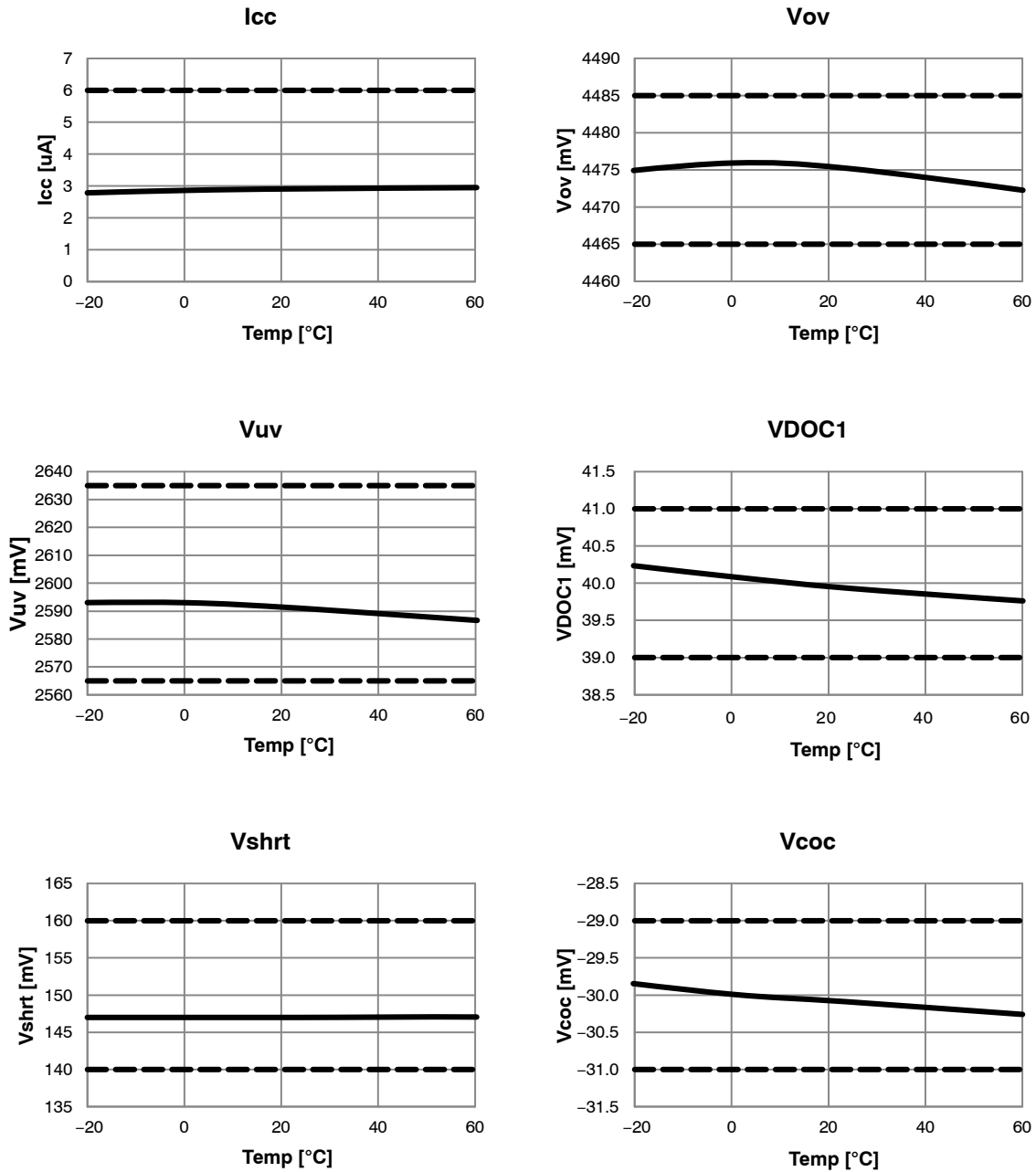


Figure 7. Current Consumption and Protection Detection Voltage

(2) Protection Detection Delay Time

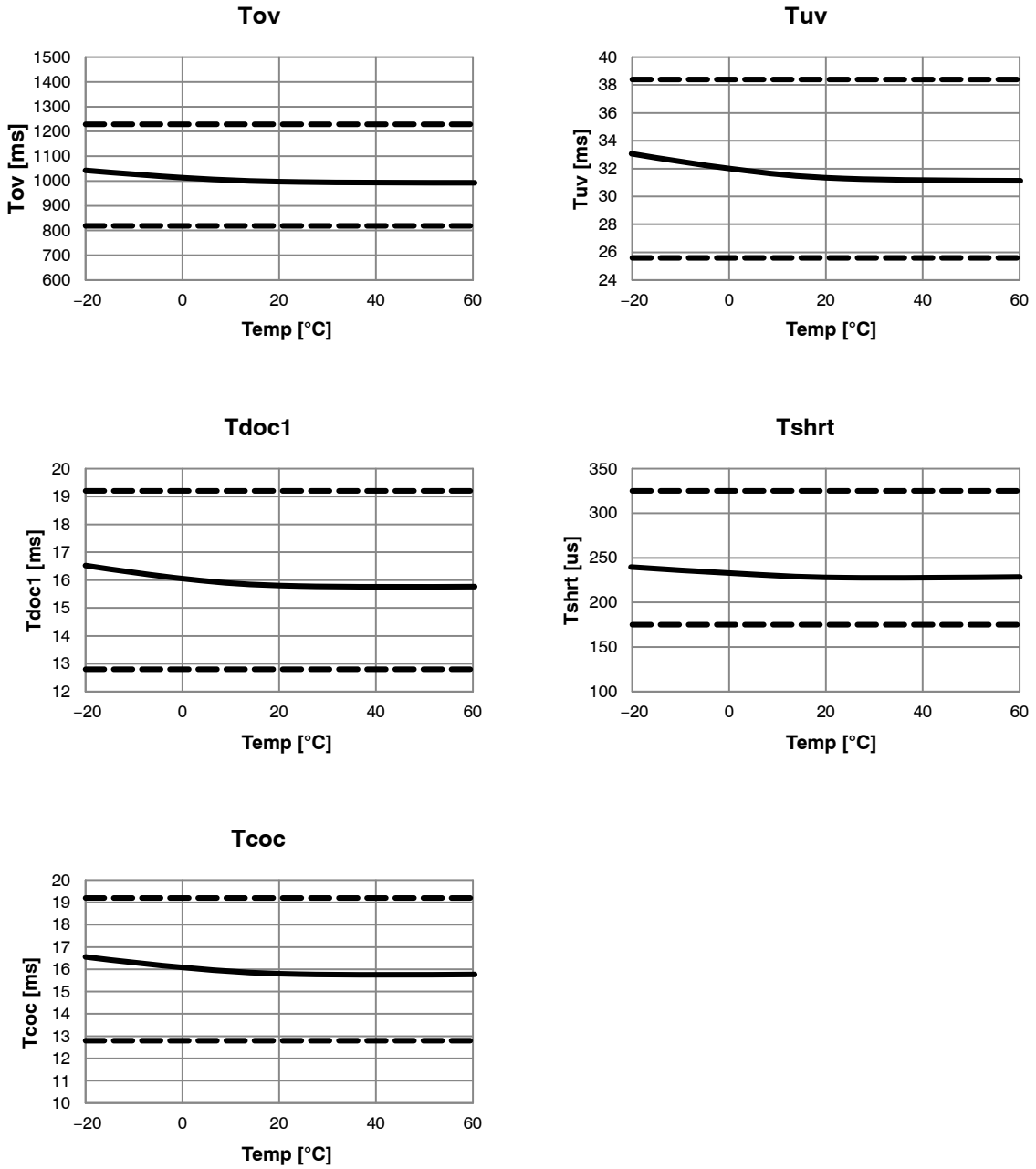


Figure 8. Protection Detection Delay Time

# MECHANICAL CASE OUTLINE

## PACKAGE DIMENSIONS

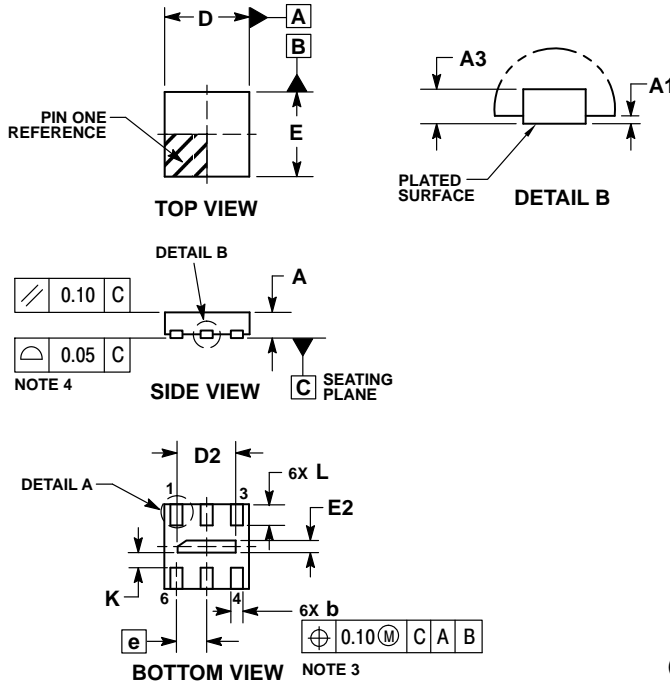
ON Semiconductor®



SCALE 4:1

X2DFN6 1.4x1.4, 0.5P  
CASE 716AF  
ISSUE A

DATE 11 MAY 2018



NOTES:

1. DIMENSIONING AND TOLERANCING PER ASME Y14.5M, 1994.
2. CONTROLLING DIMENSION: MILLIMETERS.
3. DIMENSION b APPLIES TO PLATED TERMINAL AND IS MEASURED BETWEEN 0.10 AND 0.20 mm FROM THE TERMINAL TIP.
4. COPLANARITY APPLIES TO THE EXPOSED PAD AS WELL AS THE TERMINALS.

MILLIMETERS			
DIM	MIN	NOM	MAX
A	0.30	0.35	0.40
A1	---	---	0.05
A3	0.127 REF		
b	0.15	0.20	0.25
D	1.30	1.40	1.50
D2	0.86	0.96	1.06
E	1.30	1.40	1.50
E2	0.10	0.20	0.30
e	0.50 BSC		
K	0.25 REF		
L	0.30	0.35	0.40

**GENERIC MARKING DIAGRAM\***

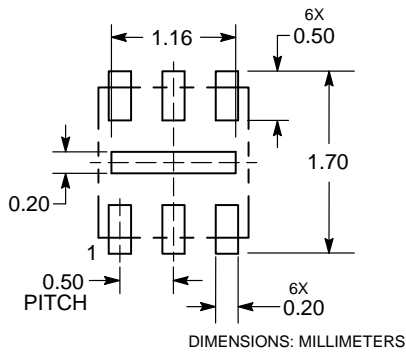


- XX = Specific Device Code
- M = Month Code
- = Pb-Free Package

(Note: Microdot may be in either location)

\*This information is generic. Please refer to device data sheet for actual part marking. Pb-Free indicator, "G" or microdot "■", may or may not be present. Some products may not follow the Generic Marking.

**RECOMMENDED SOLDERING FOOTPRINT\***



\*For additional information on our Pb-Free strategy and soldering details, please download the ON Semiconductor Soldering and Mounting Techniques Reference Manual, SOLDERRM/D.

<b>DOCUMENT NUMBER:</b>	<b>98AON79890G</b>	Electronic versions are uncontrolled except when accessed directly from the Document Repository. Printed versions are uncontrolled except when stamped "CONTROLLED COPY" in red.
<b>DESCRIPTION:</b>	<b>X2DFN6 1.4x1.4, 0.5P</b>	<b>PAGE 1 OF 1</b>

ON Semiconductor and are trademarks of Semiconductor Components Industries, LLC dba ON Semiconductor or its subsidiaries in the United States and/or other countries. ON Semiconductor reserves the right to make changes without further notice to any products herein. ON Semiconductor makes no warranty, representation or guarantee regarding the suitability of its products for any particular purpose, nor does ON Semiconductor assume any liability arising out of the application or use of any product or circuit, and specifically disclaims any and all liability, including without limitation special, consequential or incidental damages. ON Semiconductor does not convey any license under its patent rights nor the rights of others.

ON Semiconductor and  are trademarks of Semiconductor Components Industries, LLC dba ON Semiconductor or its subsidiaries in the United States and/or other countries. ON Semiconductor owns the rights to a number of patents, trademarks, copyrights, trade secrets, and other intellectual property. A listing of ON Semiconductor's product/patent coverage may be accessed at [www.onsemi.com/site/pdf/Patent-Marking.pdf](http://www.onsemi.com/site/pdf/Patent-Marking.pdf). ON Semiconductor reserves the right to make changes without further notice to any products herein. ON Semiconductor makes no warranty, representation or guarantee regarding the suitability of its products for any particular purpose, nor does ON Semiconductor assume any liability arising out of the application or use of any product or circuit, and specifically disclaims any and all liability, including without limitation special, consequential or incidental damages. Buyer is responsible for its products and applications using ON Semiconductor products, including compliance with all laws, regulations and safety requirements or standards, regardless of any support or applications information provided by ON Semiconductor. "Typical" parameters which may be provided in ON Semiconductor data sheets and/or specifications can and do vary in different applications and actual performance may vary over time. All operating parameters, including "Typicals" must be validated for each customer application by customer's technical experts. ON Semiconductor does not convey any license under its patent rights nor the rights of others. ON Semiconductor products are not designed, intended, or authorized for use as a critical component in life support systems or any FDA Class 3 medical devices or medical devices with a same or similar classification in a foreign jurisdiction or any devices intended for implantation in the human body. Should Buyer purchase or use ON Semiconductor products for any such unintended or unauthorized application, Buyer shall indemnify and hold ON Semiconductor and its officers, employees, subsidiaries, affiliates, and distributors harmless against all claims, costs, damages, and expenses, and reasonable attorney fees arising out of, directly or indirectly, any claim of personal injury or death associated with such unintended or unauthorized use, even if such claim alleges that ON Semiconductor was negligent regarding the design or manufacture of the part. ON Semiconductor is an Equal Opportunity/Affirmative Action Employer. This literature is subject to all applicable copyright laws and is not for resale in any manner.

## PUBLICATION ORDERING INFORMATION

### LITERATURE FULFILLMENT:

Email Requests to: [orderlit@onsemi.com](mailto:orderlit@onsemi.com)

ON Semiconductor Website: [www.onsemi.com](http://www.onsemi.com)

### TECHNICAL SUPPORT

North American Technical Support:  
Voice Mail: 1 800-282-9855 Toll Free USA/Canada  
Phone: 011 421 33 790 2910

### Europe, Middle East and Africa Technical Support:

Phone: 00421 33 790 2910

For additional information, please contact your local Sales Representative