

## SPECIFICATION FOR APPROVAL

- ( ) Preliminary Specification
- (●) Final Specification

Title	21.6" WXGA TFT LCD
-------	--------------------

BUYER	General
MODEL	

SUPPLIER	LG Display Co., Ltd.
*MODEL	LC216EXN
SUFFIX	SCA1(RoHS Verified)

www.jxlcd.com

\*When you obtain standard approval, please use the above model name without suffix

APPROVED BY	SIGNATURE DATE
/	
/	
/	

APPROVED BY	SIGNATURE DATE
<b>H.S. SONG / Team Leader</b>	
<b>REVIEWED BY</b>	
<b>O.H. LEE / Project Leader</b>	
<b>PREPARED BY</b>	
<b>B.J. CHOI / Engineer</b>	

Please return 1 copy for your confirmation with your signature and comments.

**TV Product Development Dept.  
LG Display Co., Ltd.**

## Product Specification

**CONTENTS**

Number	ITEM	Page
	COVER	1
	CONTENTS	2
	RECORD OF REVISIONS	3
1	GENERAL DESCRIPTION	4
2	ABSOLUTE MAXIMUM RATINGS	5
3	ELECTRICAL SPECIFICATIONS	6
3-1	ELECTRICAL CHARACTERISTICS	6
3-2	INTERFACE CONNECTIONS	8
3-3	SIGNAL TIMING SPECIFICATIONS	10
3-4	SIGNAL TIMING WAVEFORMS	11
3-5	COLOR DATA REFERENCE	14
3-6	POWER SEQUENCE	15
4	OPTICAL SPECIFICATIONS	17
5	MECHANICAL CHARACTERISTICS	21
6	RELIABILITY	24
7	INTERNATIONAL STANDARDS	25
7-1	SAFETY	25
7-2	EMC	25
7-3	Environment	25
8	PACKING	26
8-1	INFORMATION OF LCM LABEL	26
8-2	PACKING FORM	26
9	PRECAUTIONS	27
9-1	MOUNTING PRECAUTIONS	27
9-2	OPERATING PRECAUTIONS	27
9-3	ELECTROSTATIC DISCHARGE CONTROL	28
9-4	PRECAUTIONS FOR STRONG LIGHT EXPOSURE	28
9-5	STORAGE	28
9-6	HANDLING PRECAUTIONS FOR PROTECTION FILM	28



## Product Specification

## 1. General Description

The LC216EXN is a Color Active Matrix Liquid Crystal Display with an integral LED backlight system. The matrix employs a-Si Thin Film Transistor as the active element.

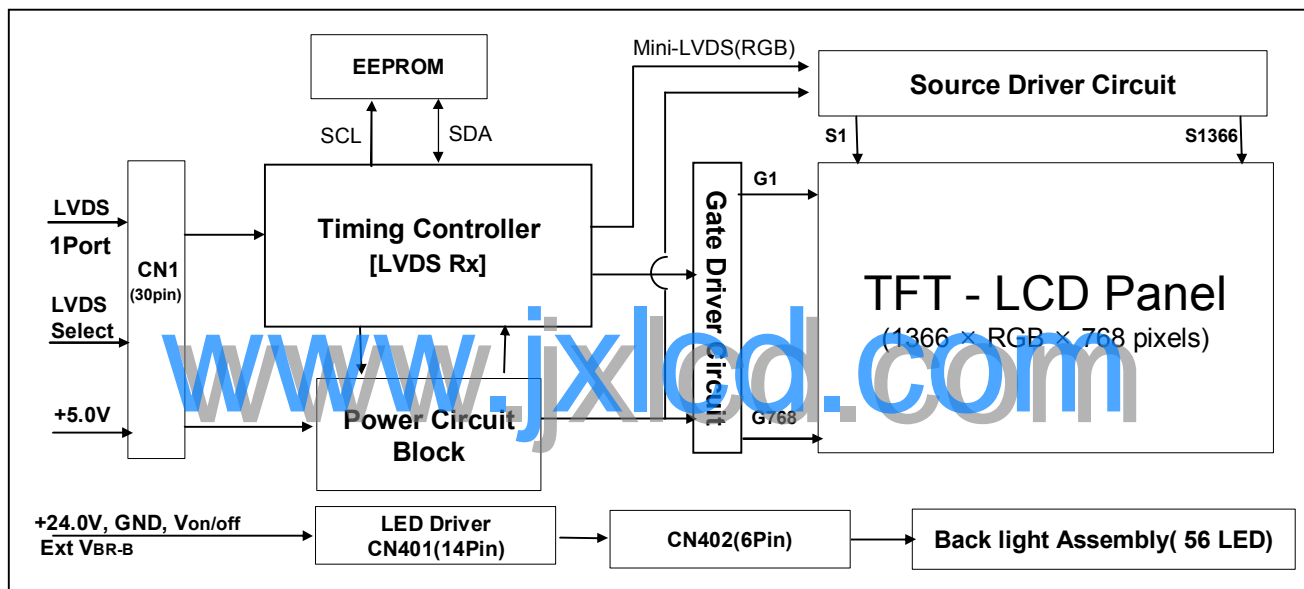
It is a transmissive display type which is operating in the normally black mode. It has a 21.6 inch diagonally measured active display area with WXGA resolution (768 vertical by 1366 horizontal pixel array).

Each pixel is divided into Red, Green and Blue sub-pixels or dots which are arrayed in vertical stripes.

Gray scale or the luminance of the sub-pixel color is determined with a 8-bit gray scale signal for each dot, thus presenting a palette of more than 16.7M(6bit + A-FRC) colors.

It has been designed to apply the 8-bit 1-port LVDS interface.

It is intended to support LCD TV, PCTV where high brightness, super wide viewing angle, high color gamut, high color depth and fast response time are important.



## General Features

Active Screen Size	21.6 inches(547.7mm) diagonal
Outline Dimension	501(H) × 297(V) × 14.5(D) (Typ.)
Pixel Pitch	0.1165 mm x 0.3495 mm
Pixel Format	1366 horiz. by 768 vert. Pixels, RGB stripe arrangement
Color Depth	8-bit(D), 16.7M colors
Luminance, White	300 cd/m <sup>2</sup> (Center 1point) (Typ.)
Viewing Angle (CR>10)	Viewing angle free ( R/L 178(Min.), U/D 178(Min.))
Power Consumption	Total 24.3W (Typ.) (Logic=3.3W, LED Driver=21W, EXTVBR-B=100%)
Weight	1,750g (Typ.)
Display Mode	Transmissive mode, Normally black
Surface Treatment	Hard coating(3H), Anti-glare treatment of the front polarizer (Haze 13%)

## Product Specification

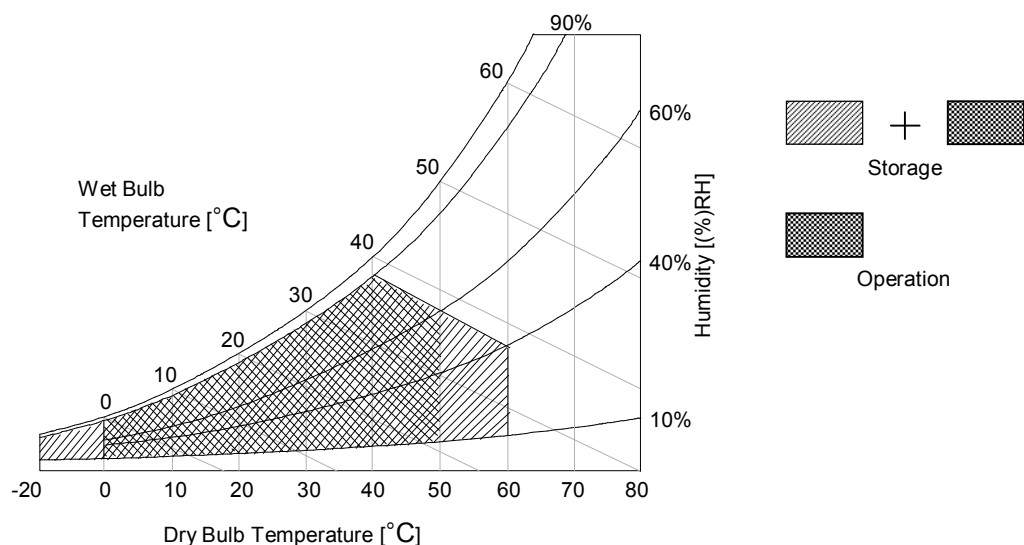
## 2. Absolute Maximum Ratings

The following items are maximum values which, if exceeded, may cause faulty operation or damage to the LCD module.

**Table 1. ABSOLUTE MAXIMUM RATINGS**

Parameter		Symbol	Value		Unit	Note
			Min	Max		
Power Input Voltage	LCD Circuit	V <sub>LCD</sub>	-0.3	+6.0	V <sub>DC</sub>	1
	Driver	V <sub>BL</sub>	-0.3	+27.0	V <sub>DC</sub>	
Driver Control Voltage	ON/OFF	V <sub>OFF</sub> / V <sub>ON</sub>	-0.3	+5.5	V <sub>DC</sub>	
	Brightness	V <sub>BR</sub>	0.0	+5.5	V <sub>DC</sub>	
T-Con Option Selection Voltage		V <sub>LOGIC</sub>	-0.3	+4.0	V <sub>DC</sub>	
Operating Temperature		T <sub>OP</sub>	0	+50	°C	
Storage Temperature		T <sub>ST</sub>	-20	+60	°C	
Panel Front Temperature		T <sub>SUR</sub>	-	+68	°C	4
Operating Ambient Humidity		H <sub>OP</sub>	10	90	%RH	2,3
Storage Humidity		H <sub>ST</sub>	10	90	%RH	

- Note 1. Ambient temperature condition ( $T_a = 25 \pm 2^\circ\text{C}$ )
2. Temperature and relative humidity range are shown in the figure below.  
Wet bulb temperature should be Max 39°C, and no condensation of water.
3. Gravity mura can be guaranteed below 40°C condition.
4. The maximum operating temperatures is based on the test condition that the surface temperature of display area is less than or equal to 68°C with LCD module alone in a temperature controlled chamber. Thermal management should be considered in final product design to prevent the surface temperature of display area from being over 68°C. The range of operating temperature may degraded in case of improper thermal management in final product design.



## Product Specification

### 3. Electrical Specifications

#### 3-1. Electrical Characteristics

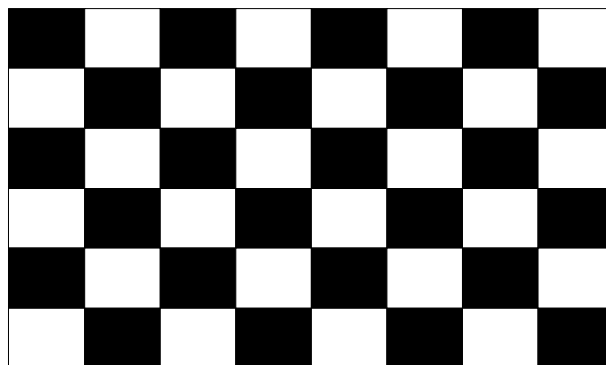
It requires two power inputs. One is employed to power for the LCD circuit. The other is used for the LED backlight and LED Driver circuit.

**Table 2. ELECTRICAL CHARACTERISTICS**

Parameter	Symbol	Value			Unit	Note
		Min	Typ	Max		
Circuit :						
Power Input Voltage	V <sub>LCD</sub>	4.5	5.0	5.5	V <sub>DC</sub>	
Power Input Current	I <sub>LCD</sub>	-	660	858	mA	1
		-	830	1079	mA	2
Power Consumption	P <sub>LCD</sub>	-	3.3	4.29	Watt	1
Rush current	I <sub>RUSH</sub>	-	-	3.0	A	3

- Notes : 1. The specified current and power consumption are under the V<sub>LCD</sub>=5.0V, 25±2°C, f<sub>V</sub>=60Hz condition whereas mosaic pattern(8 x 6) is displayed and f<sub>V</sub> is the frame frequency.  
 2. The current is specified at the maximum current pattern.  
 3. The duration of rush current is about 2ms and rising time of power input is 0.5ms (min.).

White : 255Gray  
 Black : 0Gray



Mosaic Pattern(8 x 6)

## Product Specification

Table 3. ELECTRICAL CHARACTERISTICS (Continue)

Parameter		Symbol	Values			Unit	Notes	
			Min	Typ	Max			
LED Driver :								
Power Supply Input Voltage		VBL	22.8	24.0	25.2	Vdc	1	
Power Supply Input Current		IBL_A	-	0.87	0.97	A	1	
Power Supply Input Current (In-Rush)		Irush	-	-	1.5	A	VBL = 22.8V Ext VBR-B = 100%	
Power Consumption		PBL	-	21	23.3	W	1	
Input Voltage for Control System Signals	On/Off	On	V on	2.5	-	5.0	Vdc	
		Off	V off	-0.3	0.0	0.7	Vdc	
	Brightness Adjust	ExtVBR-B	10	-	100	%	On Duty	
	PWM Frequency for NTSC & PAL	PAL		100		Hz	4	
		NTSC		120		Hz	4	
	Pulse Duty Level (PWM)	High Level	2.5	-	5.0	Vdc	HIGH : on duty LOW : off duty	
Low Level		0.0	-	0.7	Vdc			
LED :								
Life Time				30,000		Hrs	3	

## Notes :

- Electrical characteristics are determined after the unit has been 'ON' and stable for approximately 60 minutes at  $25\pm 2^{\circ}\text{C}$ . The specified current and power consumption are under the typical supply Input voltage 24V and VBR (ExtVBR-B : 100%), it is total power consumption.
- Electrical characteristics are determined within 30 minutes at  $25\pm 2^{\circ}\text{C}$ . The specified currents are under the typical supply Input voltage 24V.
- The life time is determined as the time which luminance of the LED is 50% compared to that of initial value at the typical LED current (ExtVBR-B : 100%) on condition of continuous operating in LCM state at  $25\pm 2^{\circ}\text{C}$ .
- LGD recommend that the PWM freq. is synchronized with two time harmonic of Vsync signal of system. Though PWM frequency is over 120Hz (max 252Hz), function of LED Driver is not affected.
- The duration of rush current is about 10ms.
- Even though inrush current is over the specified value, there is no problem if I<sup>2</sup>T spec of fuse is satisfied.

## Product Specification

**3-2. Interface Connections**

This LCD module employs two kinds of interface connection, a 30-pin connector is used for the module electronics and 14-pin connector is used for the integral backlight system.

**3-2-1. LCD Module**

- LCD Connector(CN5) : KDF71G-30S-1H(Hirose) or Equivalent.
- Mating Connector : FI-X30C2L (Manufactured by JAE) or Equivalent

**Table 4. MODULE CONNECTOR(CN5) PIN CONFIGURATION**

Pin No.	Symbol	Description	Note
1	GND	Ground	5
2	Reserved	"H" : Interlace Free Mode, "L or NC" : Normal Operation	
3	NC	No Connection	
4	GND	Ground	
5	RX0-	LVDS Receiver Signal(-)	
6	RX0+	LVDS Receiver Signal(+)	
7	GND	Ground	
8	RX1-	LVDS Receiver Signal(-)	
9	RX1+	LVDS Receiver Signal(+)	
10	GND	Ground	
11	RX2-	LVDS Receiver Signal(-)	
12	RX2+	LVDS Receiver Signal(+)	
13	GND	Ground	
14	RXCLK-	LVDS Receiver Clock Signal(-)	
15	RXCLK+	LVDS Receiver Clock Signal(+)	
16	GND	Ground	
17	RX3-	LVDS Receiver Signal(-)	
18	RX3+	LVDS Receiver Signal(+)	
19	GND	Ground	
20	NC	No Connection	
21	LVDS Select	"H" : JEIDA, "L or NC" : VESA	
22	NC	No Connection	
23	GND	Ground	
24	GND	Ground	
25	GND	Ground	
26	VLCD	Power Supply +5.0V	
27	VLCD	Power Supply +5.0V	
28	VLCD	Power Supply +5.0V	
29	VLCD	Power Supply +5.0V	
30	VLCD	Power Supply +5.0V	

- Notes :
1. All GND (Ground) pins should be connected together to the LCD module's metal frame.
  2. All VLCD (Power input) pins should be connected together.
  3. All Input levels of LVDS signals are based on the EIA 644 Standard.
  4. Specific pins (Pin No. #2, #21) are used for Option of the LCD module.  
If not used, these pins are no connection.
  5. Specific pin No. #1 is used for "No signal detection" of system signal interface.  
It should be GND for NSB (No Signal Black) during the system interface signal is not.  
If this pin is "H", LCD Module displays AGP (Auto Generation Pattern).



## Product Specification

**3-2-2. Backlight Inverter**

- LED Connector : SM14B-SRSS-TB (Manufactured by JST)
- Mating Connector : SHR-14V-S-B (With protrusions) or SHR-14V-S (Without protrusions) ; (Manufactured by JST)

**Table 5. LED DRIVER CONNECTOR PIN CONFIGURATION**

Pin No	Symbol	Description	Note
1	VBL	Power Supply +24.0V	
2	VBL	Power Supply +24.0V	
3	VBL	Power Supply +24.0V	
4	VBL	Power Supply +24.0V	
5	VBL	Power Supply +24.0V	
6	GND	Backlight Ground	
7	GND	Backlight Ground	
8	GND	Backlight Ground	1
9	GND	Backlight Ground	
10	GND	Backlight Ground	
11	NC	No Connection	
12	VON/OFF	Backlight ON/OFF control	
13	EXTVBR-B	External PWM	2
14	Status	LED Status	3

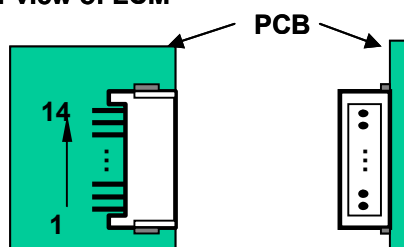
Notes : 1. GND should be connected to the LCD module's metal frame.

2. High : on duty / Low : off duty

3. Normal : Low (under 0.7V) / Abnormal : High (upper 3.0V)

4. Each impedance of pin #12 and 13 is over 50[KΩ] and over 50[KΩ].

◆ Rear view of LCM



## Product Specification

### 3-3. Signal Timing Specifications

Table 6 shows the signal timing required at the input of the LVDS transmitter. All of the interface signal timings should be satisfied with the following specification for normal operation.

**Table 6-1. TIMING TABLE for NTSC (DE Only Mode)**

ITEM	Symbol	Min	Typ	Max	Unit	Note
Horizontal	Display Period	t <sub>HV</sub>	-	1366	-	tclk
	Blank	t <sub>HB</sub>	90	162	410	tclk
	Total	t <sub>HP</sub>	1456	1528	1776	tclk
Vertical	Display Period	t <sub>VV</sub>	-	768	-	t <sub>HP</sub>
	Blank	t <sub>VB</sub>	8	22	240	t <sub>HP</sub>
	Total	t <sub>VP</sub>	776	790	1008	t <sub>HP</sub>
Frequency	DCLK	f <sub>CLK</sub>	63.0	72.4	80.0	MHz
	Horizontal	f <sub>H</sub>	45	47.4	55	KHz
	Vertical	f <sub>V</sub>	57	60	63	Hz

**Table 6-2. TIMING TABLE for PAL (DE Only Mode)**

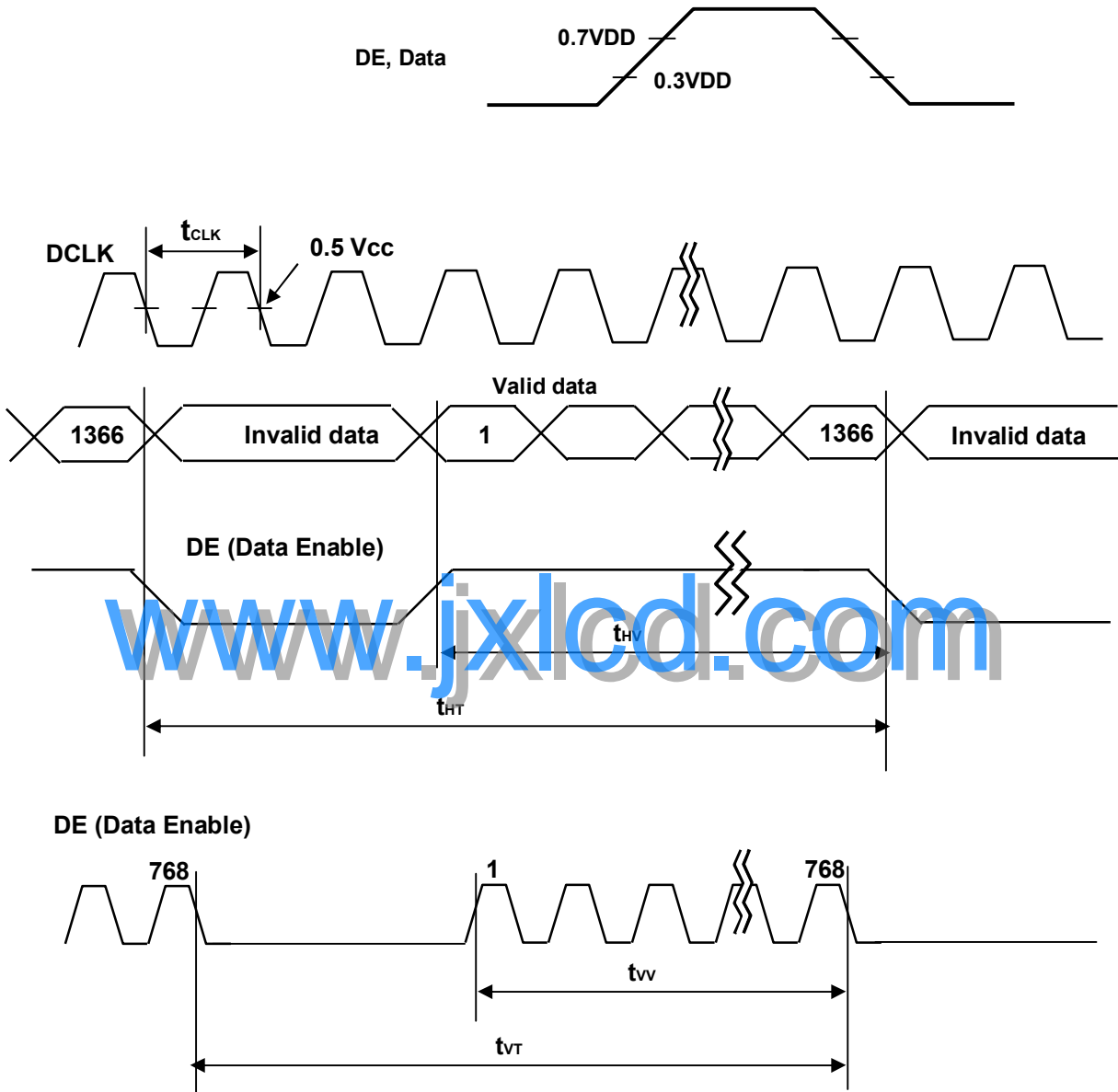
ITEM	Symbol	Min	Typ	Max	Unit	Note
Horizontal	Display Period	t <sub>HV</sub>	-	1366	-	tclk
	Blank	t <sub>HB</sub>	90	162	410	tclk
	Total	t <sub>HP</sub>	1456	1528	1776	tclk
Vertical	Display Period	t <sub>VV</sub>	-	768	-	t <sub>HP</sub>
	Blank	t <sub>VB</sub>	126	180	295	t <sub>HP</sub>
	Total	t <sub>VP</sub>	894	948	1063	t <sub>HP</sub>
Frequency	DCLK	f <sub>CLK</sub>	63.0	72.4	80.0	MHz
	Horizontal	f <sub>H</sub>	45	47.4	55	KHz
	Vertical	f <sub>V</sub>	47	50	53	Hz

**Note** The Input of HSYNC & VSYNC signal does not have an effect on normal operation(DE Only Mode). The performance of the electro-optical characteristics may be influenced by variance of the vertical refresh rate.

Product Specification

3-4. Signal Timing Waveforms

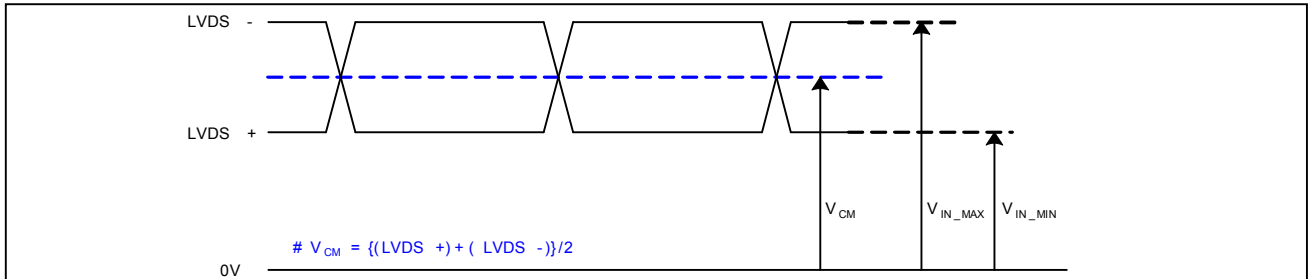
3-4-1. LVDS Input Signal Timing Diagram



Product Specification

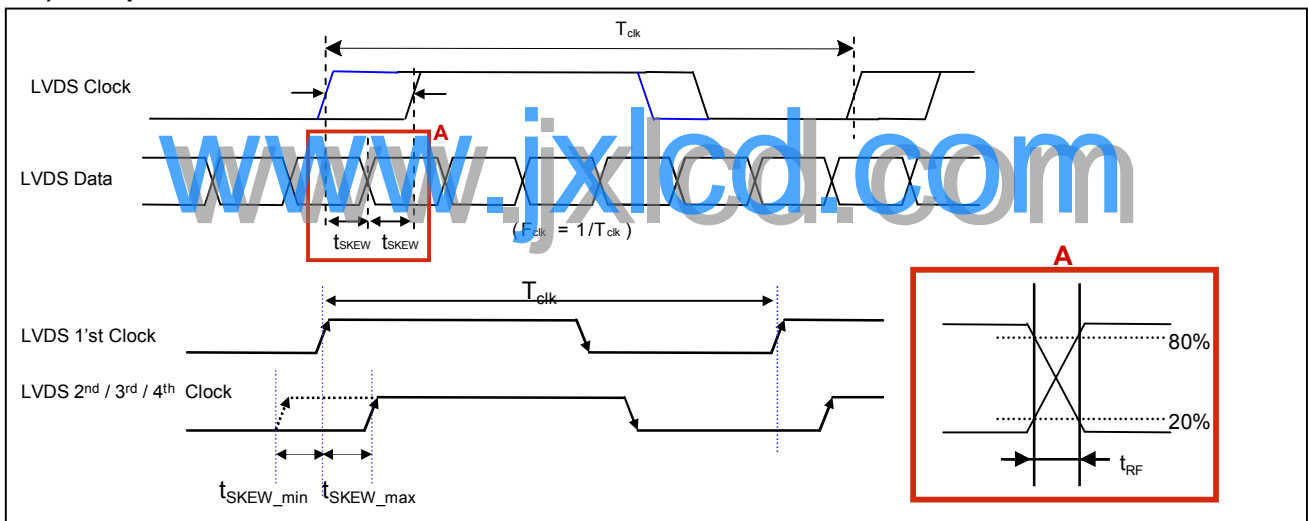
**3-4-2. LVDS Input Signal Characteristics**

**1) DC Specification**



Description	Symbol	Min	Max	Unit	Note
LVDS Common mode Voltage	$V_{CM}$	1.0	1.5	V	-
LVDS Input Voltage Range	$V_{IN}$	0.7	1.8	V	-
Change in common mode Voltage	$\Delta V_{CM}$		250	mV	-

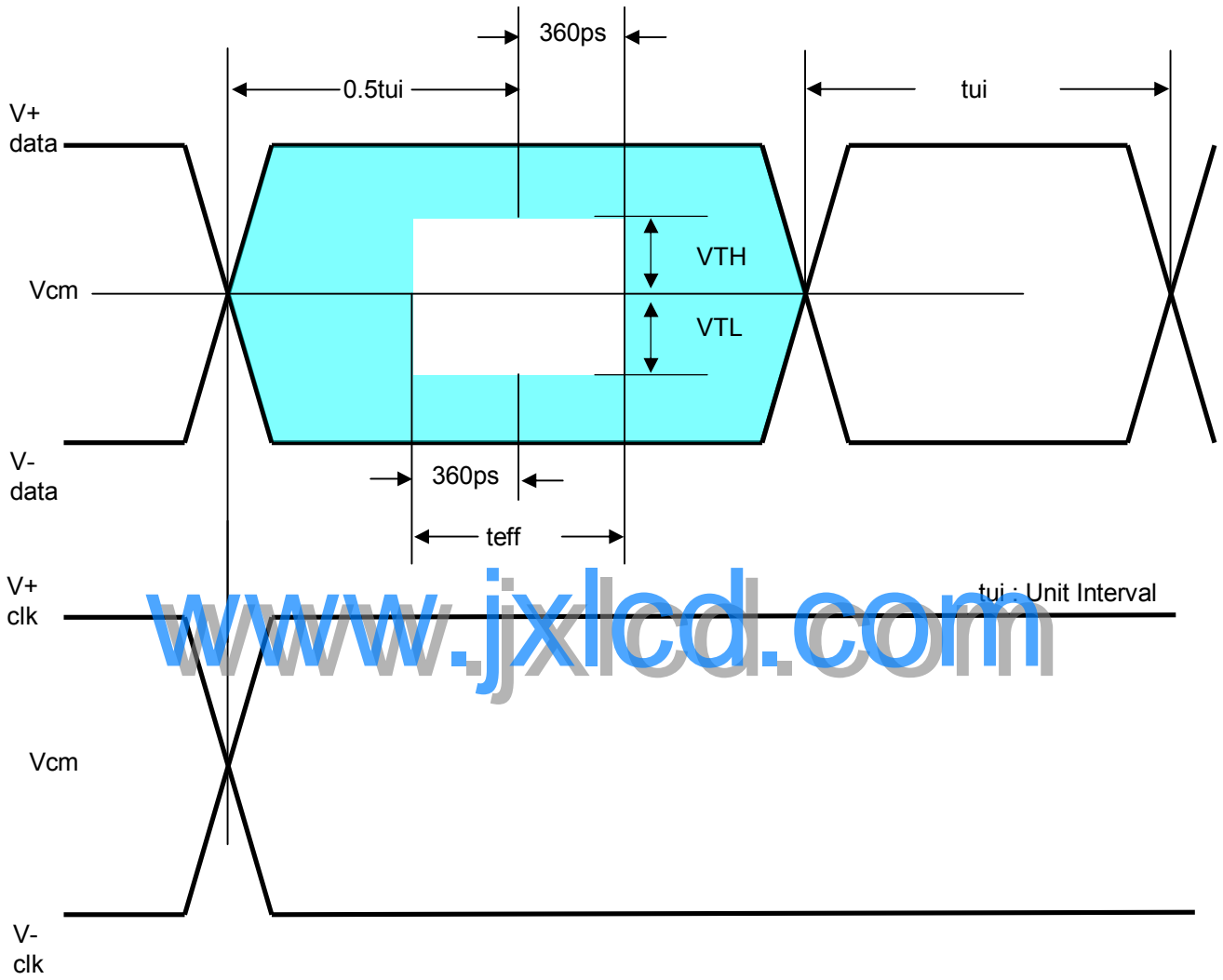
**2) AC Specification**



Description	Symbol	Min	Max	Unit	Note	
LVDS Differential Voltage	High Threshold	$V_{TH}$	100	300	mV	3
	Low Threshold	$V_{TL}$	-300	-100	mV	
LVDS Clock to Data Skew Margin	$t_{SKEW}$		$\lfloor (0.2 * T_{clk}) / 7 \rfloor$	ps	-	
LVDS Clock/DATA Rising/Falling time	$t_{RF}$	260	$(0.3 * T_{clk}) / 7$	ps	2	
Effective time of LVDS	$t_{eff}$	$\pm 360$		ps	-	
LVDS Clock to Clock Skew Margin (Even to Odd)	$t_{SKEW\_EO}$		$1/7 * T_{clk}$	$T_{clk}$	-	

- Note
1. All Input levels of LVDS signals are based on the EIA 644 Standard.
  2. If  $t_{RF}$  isn't enough,  $t_{eff}$  should meet the range.
  3. LVDS Differential Voltage is defined within  $t_{eff}$

Product Specification



## Product Specification

## 3-5. Color Data Reference

The brightness of each primary color (Red, Green, Blue) is based on the 8-bit gray scale data input for the color. The higher binary input, the brighter the color. Table 7 provides a reference for color versus data input.

Table 7. COLOR DATA REFERENCE

Color		Input Color Data																							
		RED								GREEN								BLUE							
		MSB				LSB				MSB				LSB				MSB				LSB			
		R7	R6	R5	R4	R3	R2	R1	R0	G7	G6	G5	G4	G3	G2	G1	G0	B7	B6	B5	B4	B3	B2	B1	B0
Basic Color	Black	0	0	0	0	0	0	0	0	0	0	0	0	0	0	0	0	0	0	0	0	0	0	0	0
	Red (255)	1	1	1	1	1	1	1	1	0	0	0	0	0	0	0	0	0	0	0	0	0	0	0	0
	Green (255)	0	0	0	0	0	0	0	0	1	1	1	1	1	1	1	1	0	0	0	0	0	0	0	0
	Blue (255)	0	0	0	0	0	0	0	0	0	0	0	0	0	0	0	0	1	1	1	1	1	1	1	1
	Cyan	0	0	0	0	0	0	0	0	1	1	1	1	1	1	1	1	1	1	1	1	1	1	1	1
	Magenta	1	1	1	1	1	1	1	1	0	0	0	0	0	0	0	0	1	1	1	1	1	1	1	1
	Yellow	1	1	1	1	1	1	1	1	1	1	1	1	1	1	1	1	0	0	0	0	0	0	0	0
	White	1	1	1	1	1	1	1	1	1	1	1	1	1	1	1	1	1	1	1	1	1	1	1	1
RED	RED (000) Dark	0	0	0	0	0	0	0	0	0	0	0	0	0	0	0	0	0	0	0	0	0	0	0	0
	RED (001)	0	0	0	0	0	0	0	1	0	0	0	0	0	0	0	0	0	0	0	0	0	0	0	0
	...	...								...								...							
	RED (254)	1	1	1	1	1	1	1	0	0	0	0	0	0	0	0	0	0	0	0	0	0	0	0	0
	RED (255)	1	1	1	1	1	1	1	1	0	0	0	0	0	0	0	0	0	0	0	0	0	0	0	0
GREEN	GREEN (000) Dark	0	0	0	0	0	0	0	0	0	0	0	0	0	0	0	0	0	0	0	0	0	0	0	0
	GREEN (001)	0	0	0	0	0	0	0	0	0	0	0	0	0	0	0	1	0	0	0	0	0	0	0	0
	...	...								...								...							
	GREEN (254)	0	0	0	0	0	0	0	0	1	1	1	1	1	1	1	0	0	0	0	0	0	0	0	0
	GREEN (255)	0	0	0	0	0	0	0	0	1	1	1	1	1	1	1	1	0	0	0	0	0	0	0	0
BLUE	BLUE (000) Dark	0	0	0	0	0	0	0	0	0	0	0	0	0	0	0	0	0	0	0	0	0	0	0	0
	BLUE (001)	0	0	0	0	0	0	0	0	0	0	0	0	0	0	0	0	0	0	0	0	0	0	0	1
	...	...								...								...							
	BLUE (254)	0	0	0	0	0	0	0	0	0	0	0	0	0	0	0	0	1	1	1	1	1	1	1	0
	BLUE (255)	0	0	0	0	0	0	0	0	0	0	0	0	0	0	0	0	1	1	1	1	1	1	1	1

### 3-6. Power Sequence

#### 3-6-1. LCD Driving circuit

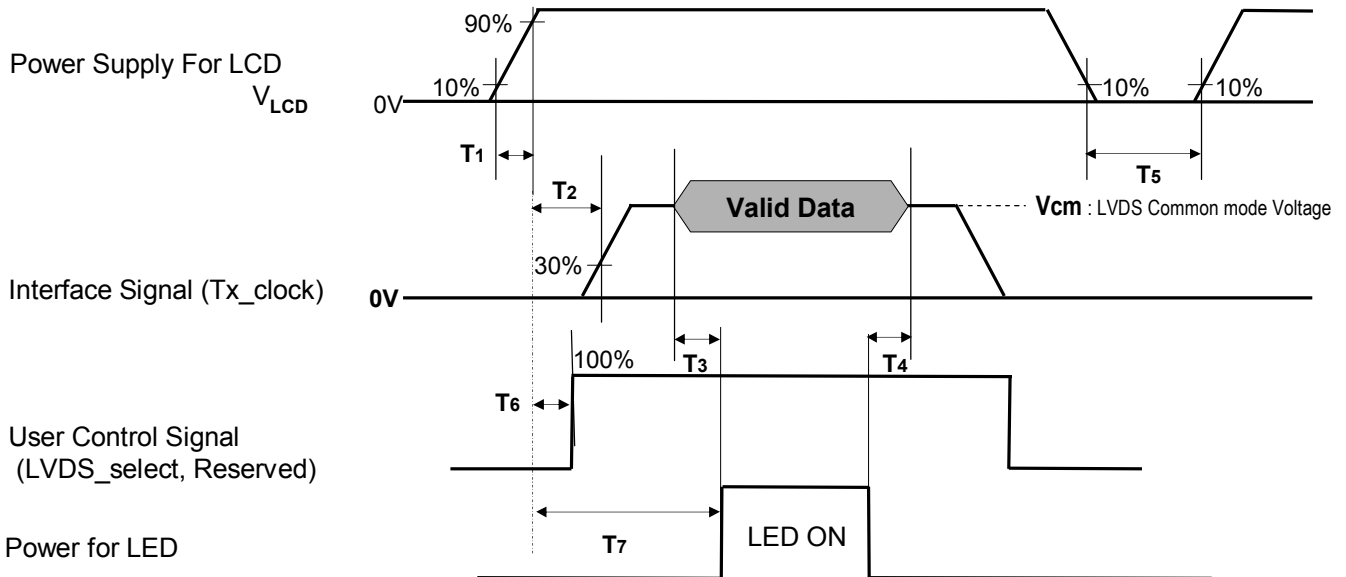


Table 9. POWER SEQUENCE

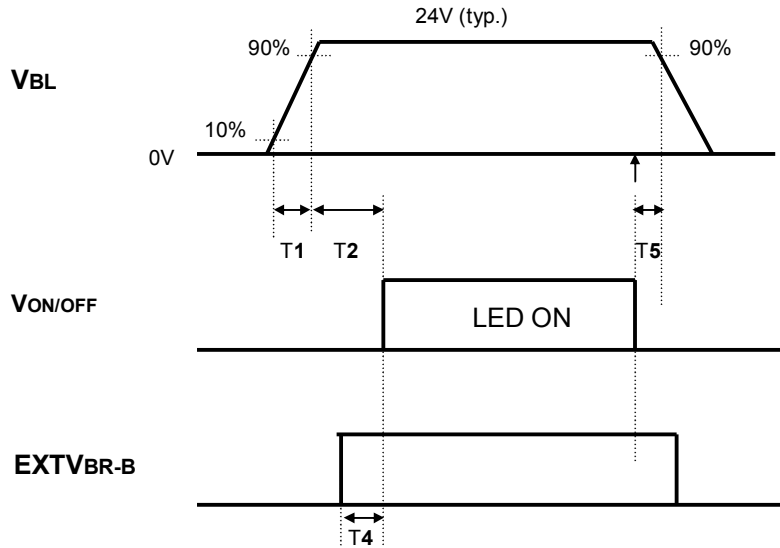
Parameter	Value			Unit	Notes
	Min	Typ	Max		
T1	0.5	-	20	ms	
T2	0	-	-	ms	4
T3	200	-	-	ms	3
T4	200	-	-	ms	3
T5	1.0	-	-	s	5
T6	-	-	T2	s	4
T7	0.5	-	-	s	

- Note :
1. Please avoid floating state of interface signal at invalid period.
  2. When the power supply for LCD ( $V_{LCD}$ ) is off, be sure to pull down the valid and invalid data to 0V.
  3. The T3/T4 is recommended value, the case when failed to meet a minimum specification, abnormal display would be shown. There is no reliability problem.
  4. If the on time of signals (Interface signal and user control signals) precedes the on time of Power ( $V_{LCD}$ ) it will be happened abnormal display. When T6 is NC status, T6 doesn't need to be measured.
  5. T5 should be measured after the Module has been fully discharged between power off and on period.

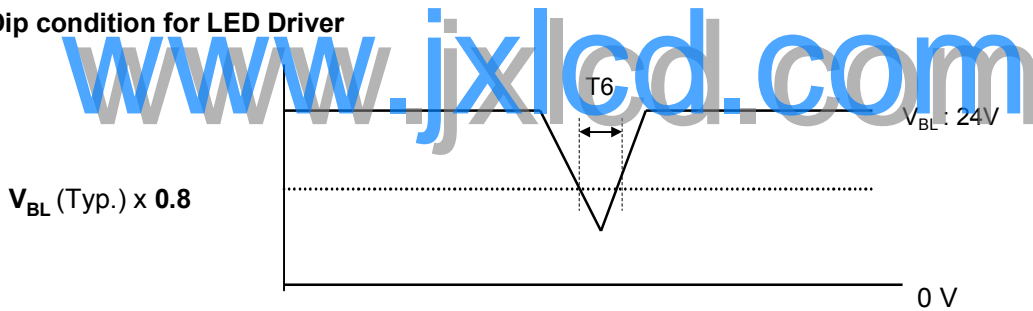
Product Specification

**3-6-2. Sequence for LED Driver**

**Power Supply For LED Driver**



**3-6-3. Dip condition for LED Driver**



**Table 9. Power Sequence for Inverter**

Parameter	Values			Units	Remarks
	Min	Typ	Max		
T1	20	-	-	ms	1
T2	500	-	-	ms	
T4	0	-	-	ms	
T5	10	-	-	ms	
T6	-	-	10	ms	$V_{BL}(Typ) \times 0.8$

Notes : 1. T1 describes rising time of 0V to 24V and this parameter does not applied at restarting time. Even though T1 is over the specified value, there is no problem if I<sup>2</sup>T spec of fuse is satisfied.



#### 4. Optical Specification

Optical characteristics are determined after the unit has been 'ON' and stable in a dark environment at  $25\pm 2^{\circ}\text{C}$ . The values specified are at an approximate distance 50cm from the LCD surface at a viewing angle of  $\Phi$  and  $\theta$  equal to  $0^{\circ}$ .

FIG. 1 shows additional information concerning the measurement equipment and method.

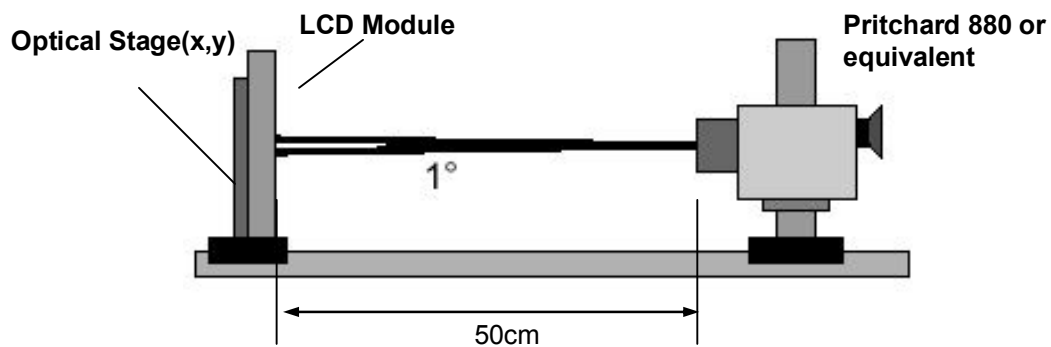


FIG. 1 Optical Characteristic Measurement Equipment and Method

Table 10. OPTICAL CHARACTERISTICS  $T_a = 25\pm 2^{\circ}\text{C}$ ,  $V_{\text{LCD}} = 5.0\text{V}$ ,  $f_v = 60\text{Hz}$ ,  $D_{\text{clk}} = 72.4\text{MHz}$ ,  $\text{EXTV}_{\text{BR-B}} = 100\%$

Parameter	Symbol	Value			Unit	Note	
		Min	Typ	Max			
Contrast Ratio	CR	700	1000	-		1	
Surface Luminance, white	$L_{\text{WH}}$	240	300	-	$\text{cd/m}^2$	2	
Luminance Variation	$\delta_{\text{WHITE}}$   5P	-	-	1.3		3	
Response Time	Variation	G to G <sub><math>\sigma</math></sub>	6	9	ms	5	
	Gray to Gray (BW)	G to G <sub>BW</sub>	9	13	ms	4	
Color Coordinates [CIE1931]	RED	Rx	Typ -0.03	0.622	Typ +0.03		
		Ry		0.344			
	GREEN	Gx		0.338			
		Gy		0.618			
	BLUE	Bx		0.152			
		By		0.045			
	WHITE	Wx		0.279			
		Wy		0.292			
Color Temperature			10,000		K		
Color Gamut			68		%		
Viewing Angle (CR>10)							
	x axis, right( $\phi=0^{\circ}$ )	$\theta_r$	89	-	-	degree	6
	x axis, left ( $\phi=180^{\circ}$ )	$\theta_l$	89	-	-		
	y axis, up ( $\phi=90^{\circ}$ )	$\theta_u$	89	-	-		
	y axis, down ( $\phi=270^{\circ}$ )	$\theta_d$	89	-	-		
Gray Scale			-	-	-		7

## Product Specification

Notes :1. Contrast Ratio(CR) is defined mathematically as :

$$CR = \frac{\text{Surface Luminance at all white pixels}}{\text{Surface Luminance at all black pixels}}$$

It is measured at center 1-point.

2. Surface luminance is determined after the unit has been 'ON' and 1Hour after lighting the backlight in a dark environment at  $25 \pm 2^\circ\text{C}$ . Surface luminance is the luminance value at center 1-point across the LCD surface 50cm from the surface with all pixels displaying white. For more information see the FIG. 2.

3. The variation in surface luminance ,  $\delta$  WHITE is defined as :

$$\delta \text{ WHITE}(5P) = \text{Maximum}(L_{on1}, L_{on2}, L_{on3}, L_{on4}, L_{on5}) / \text{Minimum}(L_{on1}, L_{on2}, L_{on3}, L_{on4}, L_{on5})$$

Where  $L_{on1}$  to  $L_{on5}$  are the luminance with all pixels displaying white at 5 locations .  
For more information, see the FIG. 2.

4. Response time is the time required for the display to transit from any gray to white (Rise Time,  $Tr_R$ ) and from any gray to black (Decay time,  $Tr_D$ ). For additional information see the FIG. 3.

※ G to  $G_{BW}$  Spec stands for average value of all measured points.

5. G to  $G_\sigma$  is Variation of Gray to Gray response time composing a picture

$$G \text{ to } G(\sigma) = \sqrt{\frac{\sum(X_i - u)^2}{N}}$$

$X_i$  = Individual Data  
 $u$  = Data average  
 $N$  : The number of Data

6. Viewing angle is the angle at which the contrast ratio is greater than 10. The angles are determined for the horizontal or x axis and the vertical or y axis with respect to the z axis which is normal to the LCD module surface. For more information, see the FIG. 4.

7. Gray scale specification

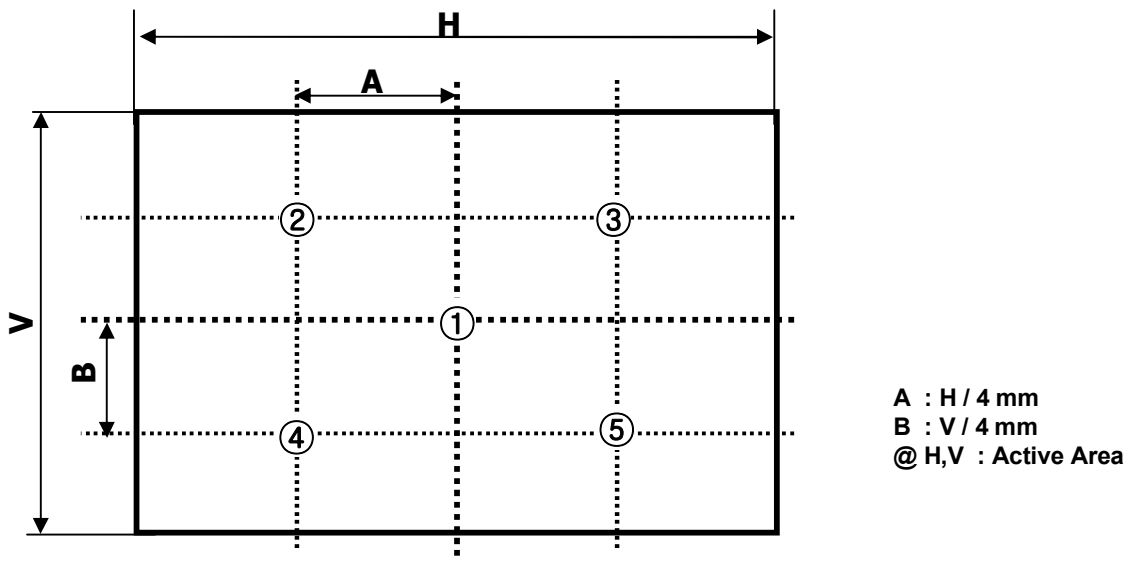
Gamma Value is approximately 2.2. For more information, see the Table 11.

**Table 11. GRAY SCALE SPECIFICATION**

Gray Level	Luminance [%] (Typ.)
L0	0.10
L15	0.27
L31	1.04
L47	2.49
L63	4.68
L79	7.66
L95	11.5
L111	16.1
L127	21.6
L143	28.1
L159	35.4
L175	43.7
L191	53.0
L207	66.7
L223	79.0
L239	90.2
L255	100

Product Specification

Measuring point for surface luminance & measuring point for luminance variation.



www.jxlcd.com  
 FIG. 2 5 Points for Luminance Measure

Response time is defined as the following figure and shall be measured by switching the input signal for "Gray(N)" and "Black or White".

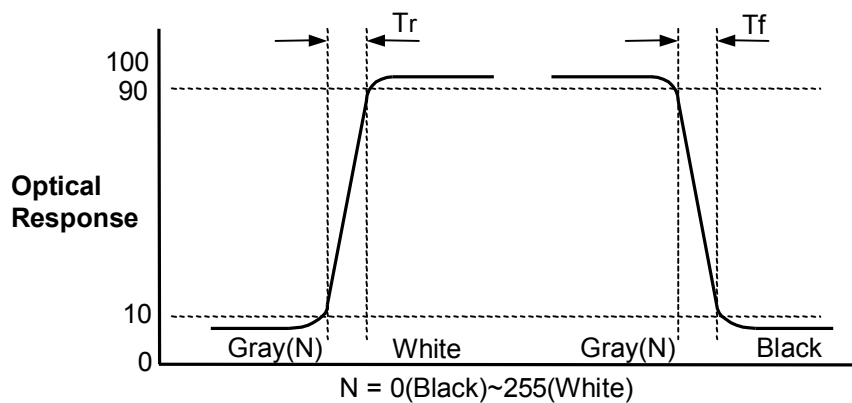
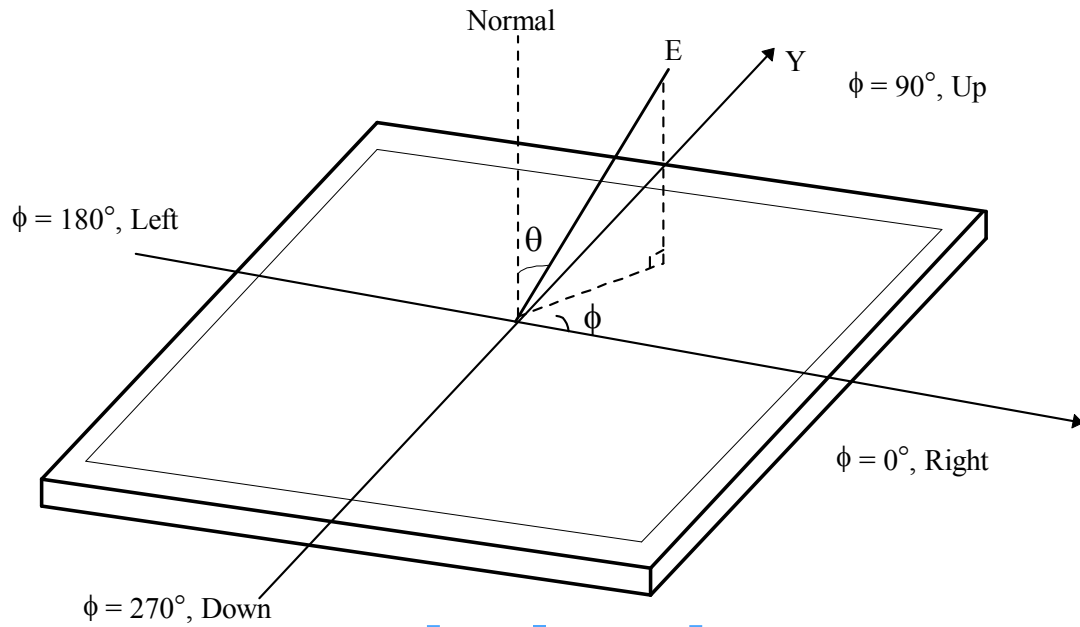


FIG. 3 Response Time

## Product Specification

Dimension of viewing angle range



[www.jxlcd.com](http://www.jxlcd.com)

FIG. 4 Viewing Angle

## Product Specification

**5. Mechanical Characteristics**

Table 12 provides general mechanical characteristics.

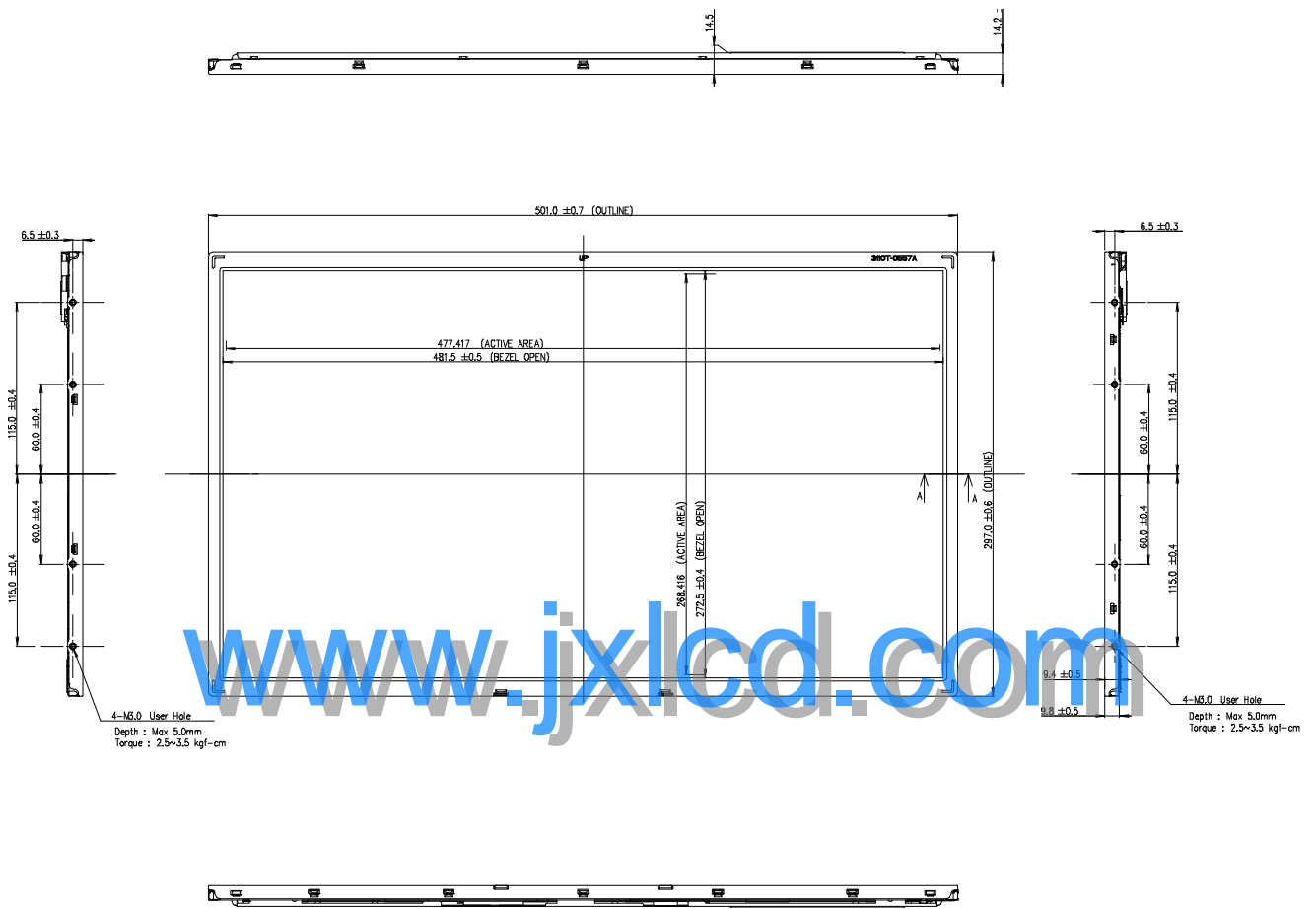
**Table 12. MECHANICAL CHARACTERISTICS**

Item	Value	
Outline Dimension	Horizontal	501.0 mm
	Vertical	297.0 mm
	Depth	14.5 mm
Bezel Area	Horizontal	481.5 mm
	Vertical	272.5 mm
Active Display Area	Horizontal	477.417 mm
	Vertical	268.416 mm
Weight	1,750g (Typ.), 1,850g (Max.)	

Note : Please refer to a mechanical drawing in terms of tolerance at the next page.

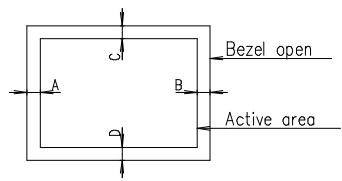
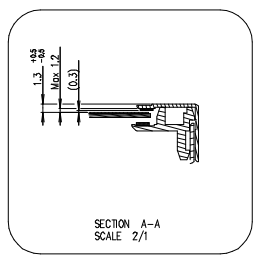
Product Specification

<FRONT VIEW>



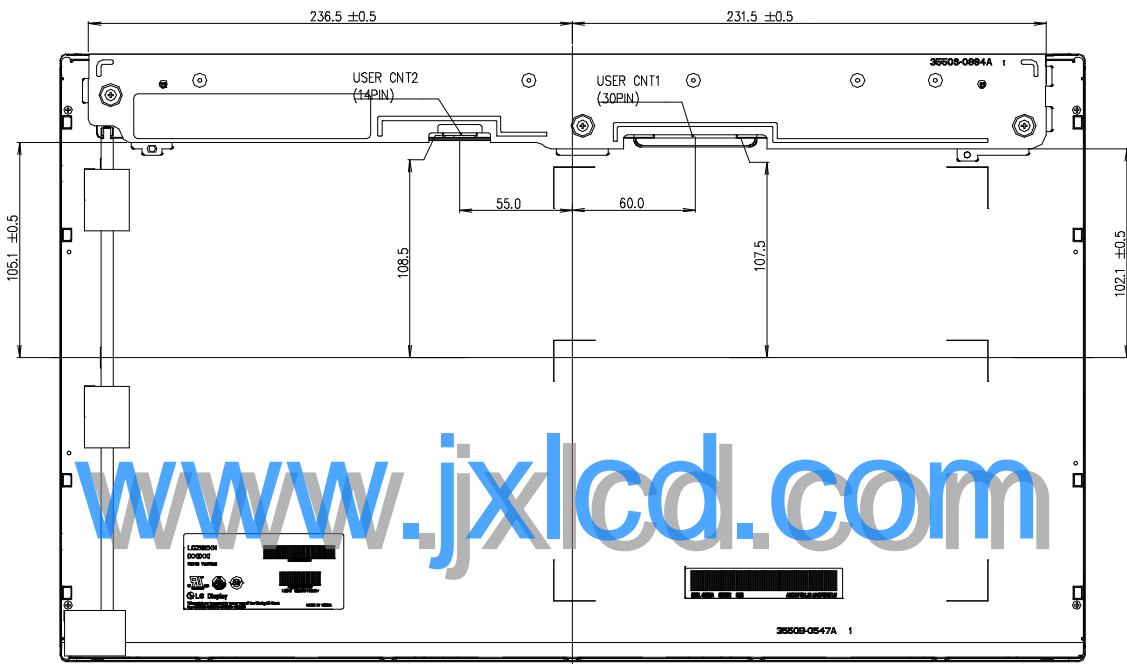
NOTES

1. Unspecified tolerances are to be ±0.5mm.
2. Tilt and partial disposition tolerance of display area is as following.
  - (1) X-Direction : IA-BI ≤ 1.0mm
  - (2) Y-Direction : IC-DI ≤ 1.0mm



Product Specification

<REAR VIEW>



## Product Specification

**6. Reliability****Table 13. ENVIRONMENT TEST CONDITION**

No.	Test Item	Condition
1	High temperature storage test	Ta= 60°C 240h
2	Low temperature storage test	Ta= -20°C 240h
3	High temperature operation test	Ta= 50°C 50%RH 240h
4	Low temperature operation test	Ta= 0°C 240h
5	Vibration test (non-operating)	Wave form : random Vibration level : 1.0Grms Bandwidth : 10-300Hz Duration : X,Y,Z, each direction per 20min
6	Shock test (non-operating)	Shock level : 120Grms Waveform : half sine wave, 2ms Direction : ±X, ±Y, ±Z each direction
7	Humidity condition Operation	Ta= 40 °C 90%RH
8	Altitude operating storage / shipment	0 - 15,000 ft 0 - 40,000 ft

Note : Before and after Reliability test, LCM should be operated with normal function.



## 7. International Standards

### 7-1. Safety

- a) UL 60065, Seventh Edition, Underwriters Laboratories Inc.  
Audio, Video and Similar Electronic Apparatus - Safety Requirements.
- b) CAN/CSA C22.2 No.60065:03, Canadian Standards Association.  
Audio, Video and Similar Electronic Apparatus - Safety Requirements.
- c) EN 60065:2002 + A11:2008, European Committee for Electrotechnical Standardization (CENELEC).  
Audio, Video and Similar Electronic Apparatus - Safety Requirements.
- d) IEC 60065:2005 + A1:2005, The International Electrotechnical Commission (IEC).  
Audio, Video and Similar Electronic Apparatus - Safety Requirements.  
(Including report of IEC60825-1:2001 clause 8 and clause 9)

#### Notes

1. Laser (LED Backlight) Information

<p>Class 1M LED Product IEC60825-1 : 2001 Embedded LED Power (Class1M) Power : 4.42 mW (Max.) Wavelength : 397 ~ 773 (nm) Width : 1.6 x 0.6 (mm)</p>
--

2. Caution  
: LED Inside.  
Class 1M laser (LEDs) radiation when open.  
Do not open while operating.

### 7-2. EMC

- a) ANSI C63.4 "American National Standard for Methods of Measurement of Radio-Noise Emissions from Low-Voltage Electrical and Electronic Equipment in the Range of 9 kHz to 40 GHz." American National Standards Institute (ANSI), 2003.
- b) CISPR 22 "Information technology equipment – Radio disturbance characteristics – Limit and methods of measurement." International Special Committee on Radio Interference (CISPR), 2005.
- c) CISPR 13 "Sound and television broadcast receivers and associated equipment – Radio disturbance characteristics – Limits and method of measurement." International Special Committee on Radio Interference (CISPR), 2006.

### 7-3. Environment

- a) RoHS, Directive 2002/95/EC of the European Parliament and of the council of 27 January 2003

## Product Specification

**8. Packing****8-1. Information of LCM Label**

a) Lot Mark

A	B	C	D	E	F	G	H	I	J	K	L	M
---	---	---	---	---	---	---	---	---	---	---	---	---

A,B,C : SIZE(INCH)  
E : MONTH

D : YEAR  
F ~ M : SERIAL NO.

Note

## 1. YEAR

Year	2001	2002	2003	2004	2005	2006	2007	2008	2009	2010
Mark	1	2	3	4	5	6	7	8	9	0

## 2. MONTH

Month	Jan	Feb	Mar	Apr	May	Jun	Jul	Aug	Sep	Oct	Nov	Dec
Mark	1	2	3	4	5	6	7	8	9	A	B	C

b) Location of Lot Mark

Serial No. is printed on the label. The label is attached to the backside of the LCD module.  
This is subject to change without prior notice.

**8-2. Packing Form**

a) Package quantity in one Box : 9 pcs

b) Box Size : 555 mm X 325 mm X 365 mm.

## 9. Precautions

Please pay attention to the followings when you use this TFT LCD module.

### 9-1. Mounting Precautions

- (1) You must mount a module using specified mounting holes (Details refer to the drawings).
- (2) You should consider the mounting structure so that uneven force (ex. Twisted stress) is not applied to the module. And the case on which a module is mounted should have sufficient strength so that external force is not transmitted directly to the module.
- (3) Please attach the surface transparent protective plate to the surface in order to protect the polarizer. Transparent protective plate should have sufficient strength in order to resist external force.
- (4) You should adopt radiation structure to satisfy the temperature specification.
- (5) Acetic acid type and chlorine type materials for the cover case are not desirable because the former generates corrosive gas of attacking the polarizer at high temperature and the latter causes circuit break by electro-chemical reaction.
- (6) Do not touch, push or rub the exposed polarizers with glass, tweezers or anything harder than HB pencil lead. And please do not rub with dust clothes with chemical treatment. Do not touch the surface of polarizer for bare hand or greasy cloth.(Some cosmetics are detrimental to the polarizer.)
- (7) When the surface becomes dusty, please wipe gently with absorbent cotton or other soft materials like chamois soaks with petroleum benzine. Normal-hexane is recommended for cleaning the adhesives used to attach front / rear polarizers. Do not use acetone, toluene and alcohol because they cause chemical damage to the polarizer.
- (8) Wipe off saliva or water drops as soon as possible. Their long time contact with polarizer causes deformations and color fading.
- (9) Do not open the case because inside circuits do not have sufficient strength.

### 9-2. Operating Precautions

- (1) The spike noise causes the mis-operation of circuits. It should be lower than following voltage :  
 $V = \pm 200\text{mV}$  (Over and under shoot voltage)
- (2) Response time depends on the temperature. (In lower temperature, it becomes longer.)
- (3) Brightness depends on the temperature. (In lower temperature, it becomes lower.)  
 And in lower temperature, response time (required time that brightness is stable after turned on) becomes longer
- (4) Be careful for condensation at sudden temperature change. Condensation makes damage to polarizer or electrical contacted parts. And after fading condensation, smear or spot will occur.
- (5) When fixed patterns are displayed for a long time, remnant image is likely to occur.
- (6) Module has high frequency circuits. Sufficient suppression to the electromagnetic interference shall be done by system manufacturers. Grounding and shielding methods may be important to minimized the interference.
- (7) Please do not give any mechanical and/or acoustical impact to LCM. Otherwise, LCM can't be operated its full characteristics perfectly.
- (8) A screw which is fastened up the steels should be a machine screw.  
 (if not, it can causes conductive particles and deal LCM a fatal blow)
- (9) Please do not set LCD on its edge.
- (10) The conductive material and signal cables are kept away from LED driver inductor to prevent abnormal display, sound noise and temperature rising.

### 9-3. Electrostatic Discharge Control

Since a module is composed of electronic circuits, it is not strong to electrostatic discharge. Make certain that treatment persons are connected to ground through wrist band etc. And don't touch interface pin directly.

### 9-4. Precautions for Strong Light Exposure

Strong light exposure causes degradation of polarizer and color filter.

### 9-5. Storage

When storing modules as spares for a long time, the following precautions are necessary.

- (1) Store them in a dark place. Do not expose the module to sunlight or fluorescent light. Keep the temperature between 5°C and 35°C at normal humidity.
- (2) The polarizer surface should not come in contact with any other object.  
It is recommended that they be stored in the container in which they were shipped.

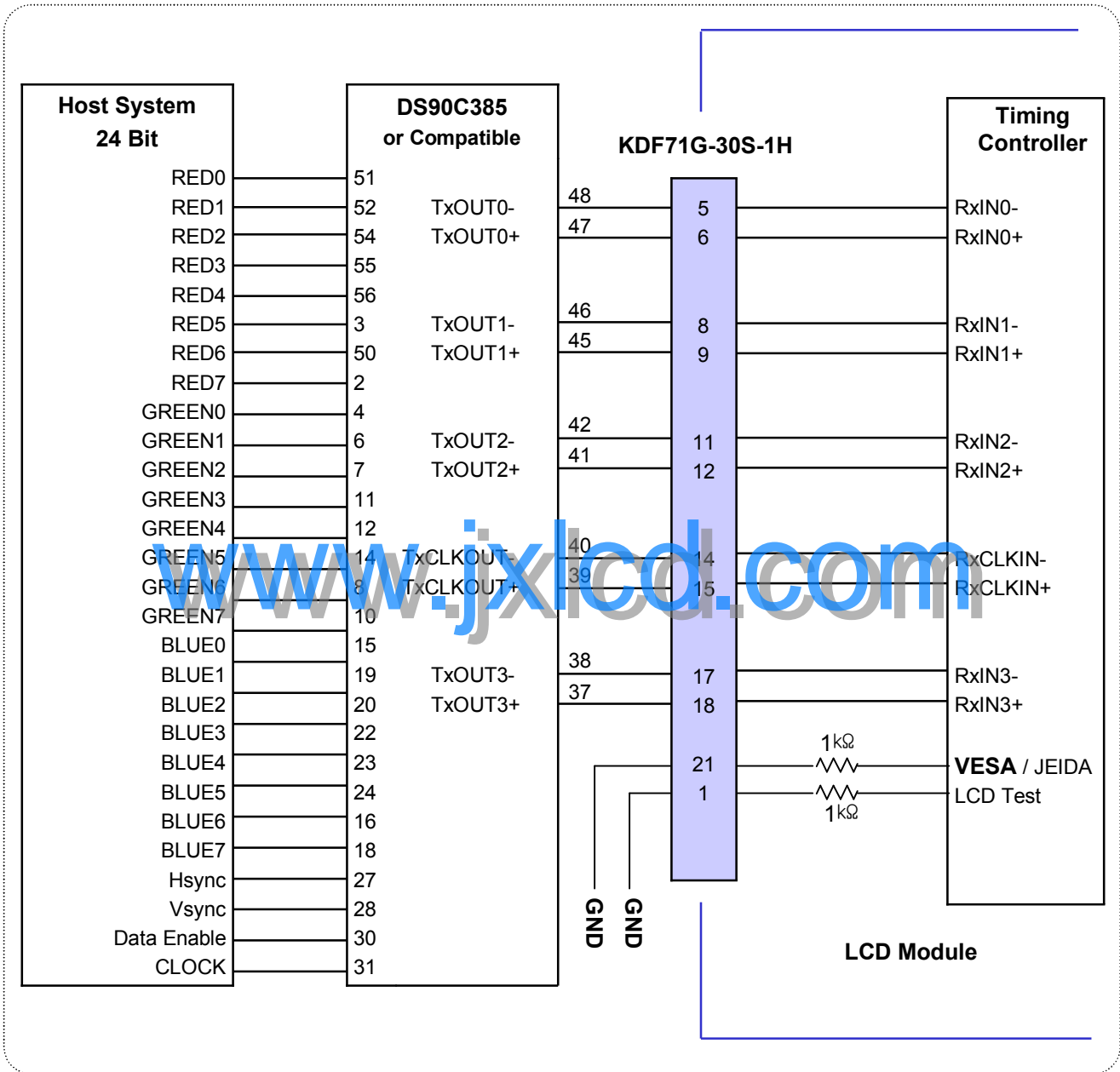
### 9-6. Handling Precautions for Protection Film

- (1) The protection film is attached to the bezel with a small masking tape.  
When the protection film is peeled off, static electricity is generated between the film and polarizer.  
This should be peeled off slowly and carefully by people who are electrically grounded and with well ion-blown equipment or in such a condition, etc.
- (2) When the module with protection film attached is stored for a long time, sometimes there remains a very small amount of glue still on the bezel after the protection film is peeled off.
- (3) You can remove the glue easily. When the glue remains on the bezel surface or its vestige is recognized, please wipe them off with absorbent cotton waste or other soft material like chamois soaked with normal-hexane.

Product Specification

# APPENDIX- I-1

Required signal assignment for Flat Link Transmitter (Pin 21 =“L or NC”)

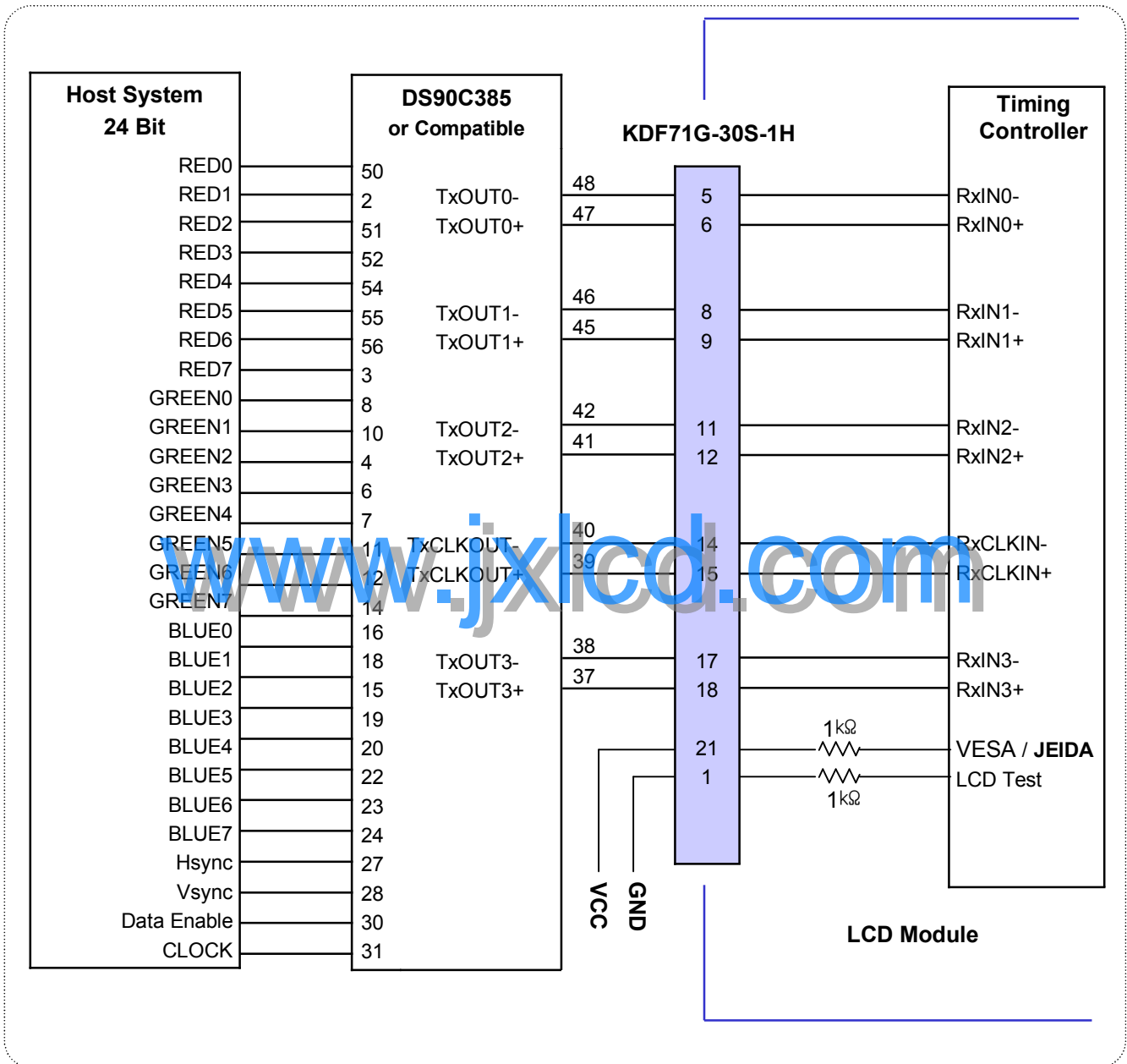


Notes:

1. The LCD module uses a 50 ohm (Ω) resistor between positive and negative lines of T-con Internal.
2. Refer to LVDS transmitter data sheet for detail descriptions. (DS90C385 or Compatible)
3. '7' means MSB and '0' means LSB at R,G,B pixel data.

## # APPENDIX- I-2

## ■ Required signal assignment for Flat Link Transmitter (Pin 21 = "H")



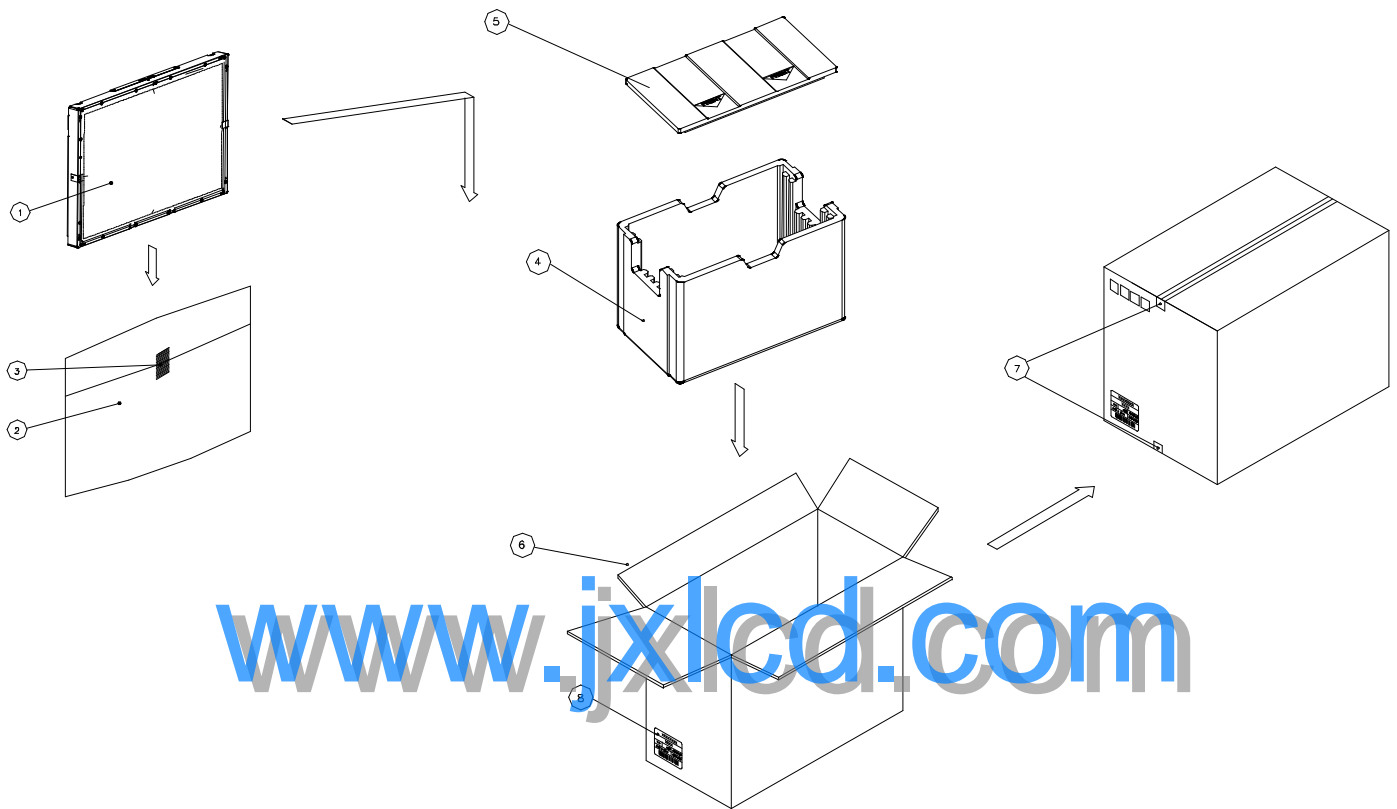
## Notes:

1. The LCD module uses a 100 ohm( $\Omega$ ) resistor between positive and negative lines of T-con Internal.
2. Refer to LVDS transmitter data sheet for detail descriptions. (DS90C385 or Compatible)
3. '7' means MSB and '0' means LSB at R,G,B pixel data.

## Product Specification

## # APPENDIX- II-1

## ■ Packing Ass'y

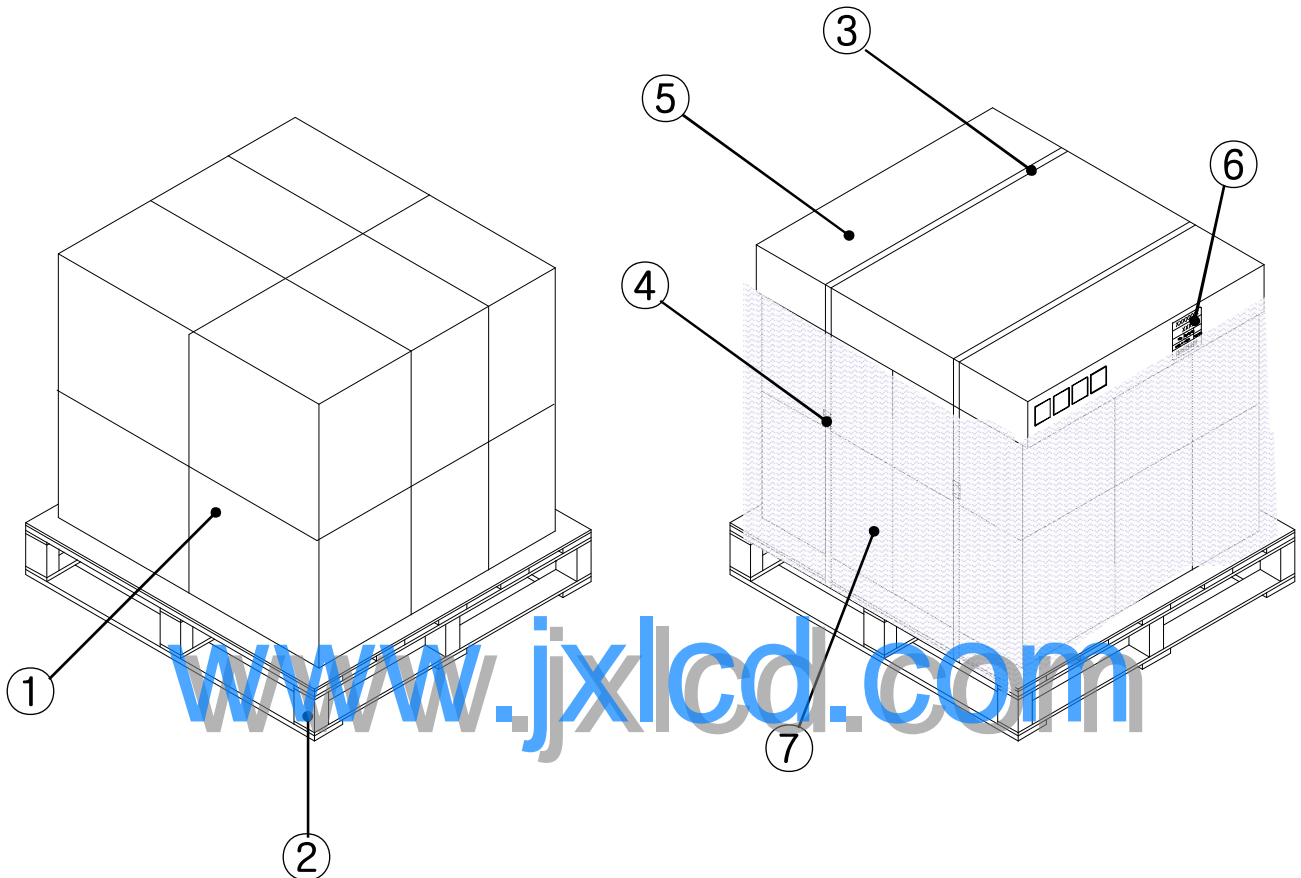


[www.jxlcd.com](http://www.jxlcd.com)

NO.	DESCRIPTION	MATERIAL
1	LCM	
2	BAG	AL
3	TAPE	OPP
4	PACKING, BOTTOM	EPS
5	PACKING, TOP	EPS
6	BOX	PAPER, SW
7	TAPE	OPP
8	LABEL	ART

## # APPENDIX- II-2

## ■ Pallet Ass'y



NO.	DESCRIPTION	MATERIAL
1	PACKING ASS'Y	-
2	PALLET	PLYWOOD_1140X990X117.5
3	BAND	PP
4	BAND, CLIP	CLIP
5	ANGLE COVER	PAPER, SW
6	LABEL	ART
7	WRAP	LLDPE



# APPENDIX- III

■ LCM Label



The diagram shows a rectangular LCM label with the following content and callouts:

- Model** → LC216EXN (SC)(A1)  
RoHS Verified
- UL, TUV Mark** → [UL, TUV, and other certification logos]
- LGD Logo** → [LG Display logo]
- US PATENT No.** → This product may be covered by one or more of the following US Patent Nos. 5,041,823 ; 5,061,920 ; 5,280,371 ; 5,835,139
- Serial No.** ← [Barcode] L5EDD5Q00013
- Origin** ← MADE IN KOREA
- Additional text on label: LIGHT GUIDE : >PMMA<



[www.jxlcd.com](http://www.jxlcd.com)

# APPENDIX- IV

■ Box Label

LC216EXN		SCA1
9 PCS	LOT/MM-DD	
MADE IN KOREA		RoHS Verified
 L5EDD5Q00013		
 *****		

■ Pallet Label

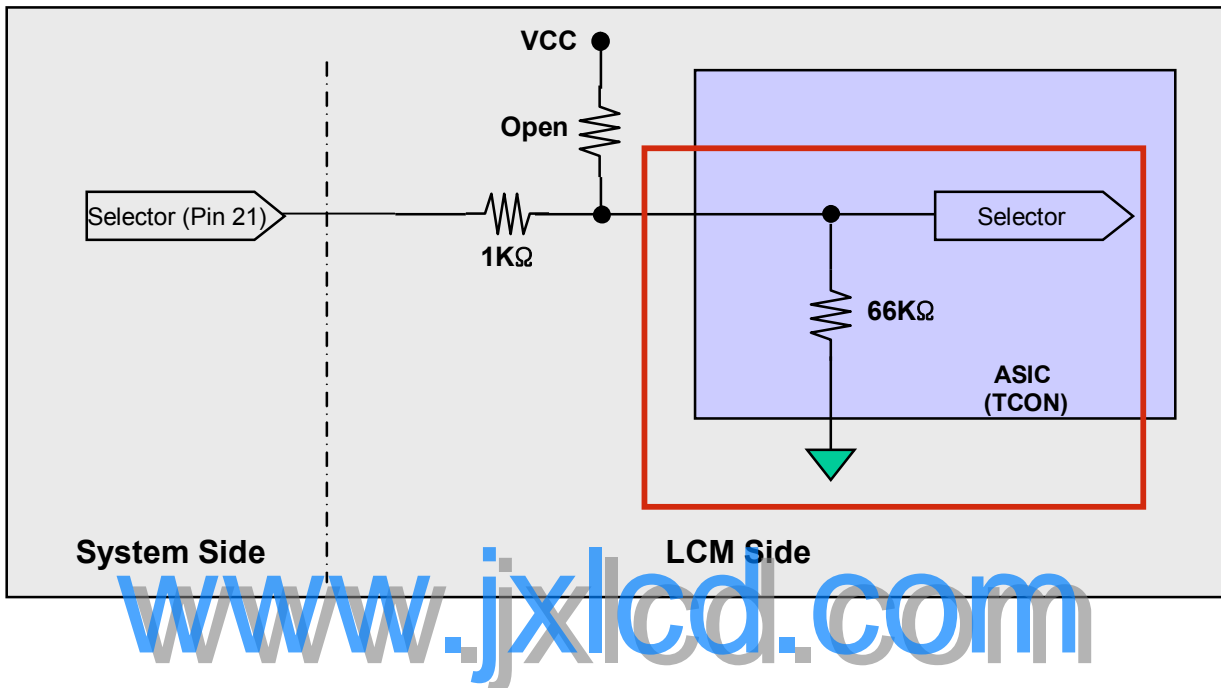
LC216EXN		SCA1
108 PCS	LOT/MM-DD	
MADE IN KOREA		RoHS Verified
 L5EDD5Q00013		
 *****		

[www.jxlcd.com](http://www.jxlcd.com)

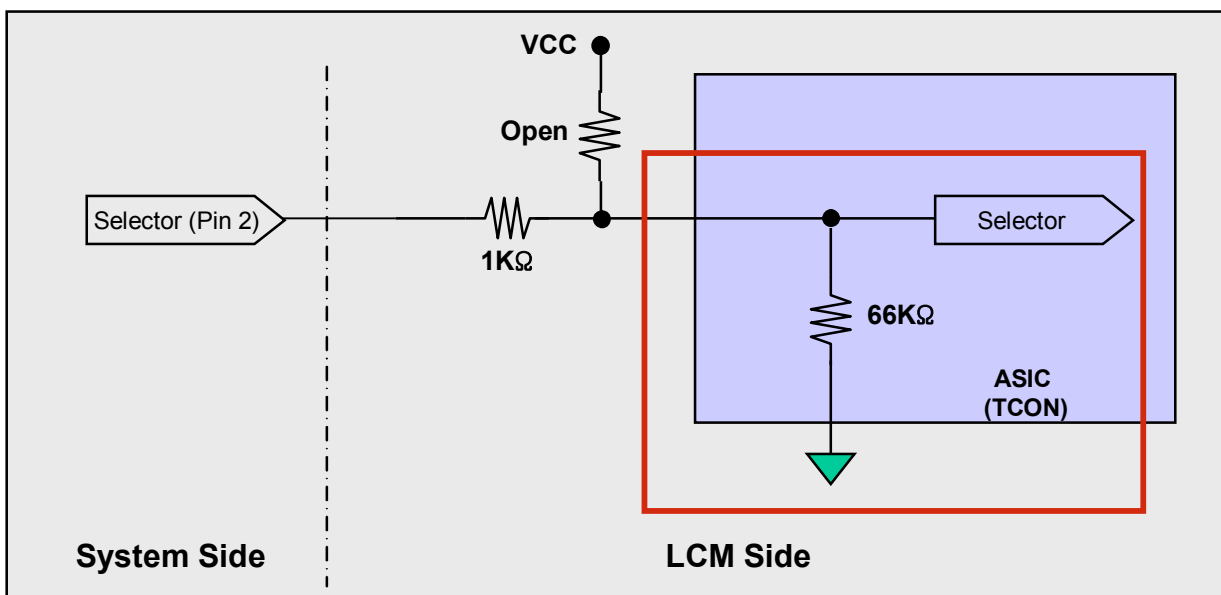
## # APPENDIX- V

## Option Pin Circuit Block Diagram

Circuit Block Diagram of LVDS Format Selection pin



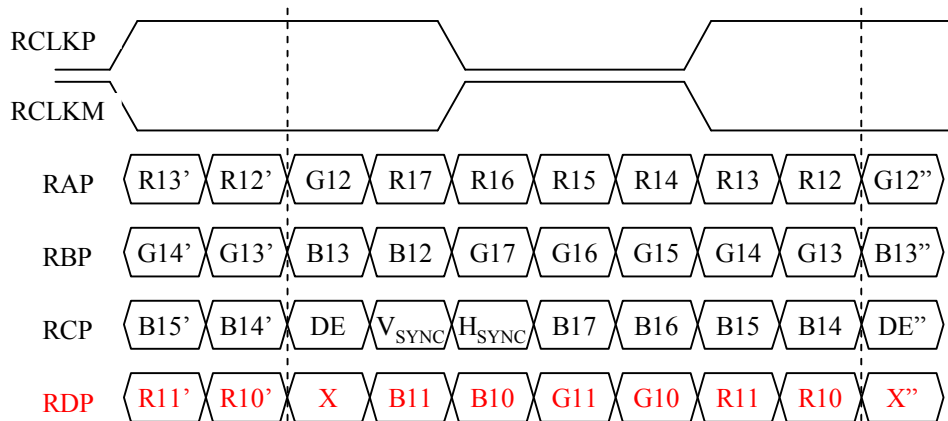
Circuit Block Diagram of Reserved Selection pin



# APPENDIX- VI

LVDS Data-Mapping info. (8bit)

■ LVDS Select : "H" Data-Mapping (JEIDA format)



www.jxlcd.com

■ LVDS Select : "L" Data-Mapping (VESA format)

