



LC470EUH

## Engineering Specification

## LCM ENGINEERING SPECIFICATION

*MODEL	LC470EUH
SUFFIX	RDM1
Update	Jan.11, 2011

- ( ) **Preliminary Specification**  
(●) **Final Specification**



LC470EUH

## Engineering Specification

**CONTENTS**

Number	ITEM	Page
	COVER	1
	CONTENTS	2
	RECORD OF REVISIONS	3
1	GENERAL DESCRIPTION	4
2	ABSOLUTE MAXIMUM RATINGS	5
3	ELECTRICAL SPECIFICATIONS	6
3-1	ELECTRICAL CHARACTERISTICS	6
3-2	INTERFACE CONNECTIONS	9
3-3	SIGNAL TIMING SPECIFICATIONS	12
3-4	DATA MAPPING AND TIMING	15
3-5	Panel Pixel Structure	16
3-6	Color Data Reference	17
3-7	POWER SEQUENCE	18
4	OPTICAL SPECIFICATIONS	19
5	MECHANICAL CHARACTERISTICS	22
6	RELIABILITY	25
7	INTERNATIONAL STANDARDS	26
7-1	SAFETY	26
7-2	ENVIRONMENT	26
8	PRECAUTIONS	27
8-1	MOUNTING PRECAUTIONS	27
8-2	OPERATING PRECAUTIONS	27
8-3	ELECTROSTATIC DISCHARGE CONTROL	28
8-4	PRECAUTIONS FOR STRONG LIGHT EXPOSURE	28
8-5	STORAGE	28
8-6	HANDLING PRECAUTIONS FOR PROTECTION FILM	28





LC470EUH

## Engineering Specification

## 1. General Description

The LC470EUH is a Color Active Matrix Liquid Crystal Display with an integral Light Emitting Diode (LED) backlight system. The matrix employs a-Si Thin Film Transistor as the active element.

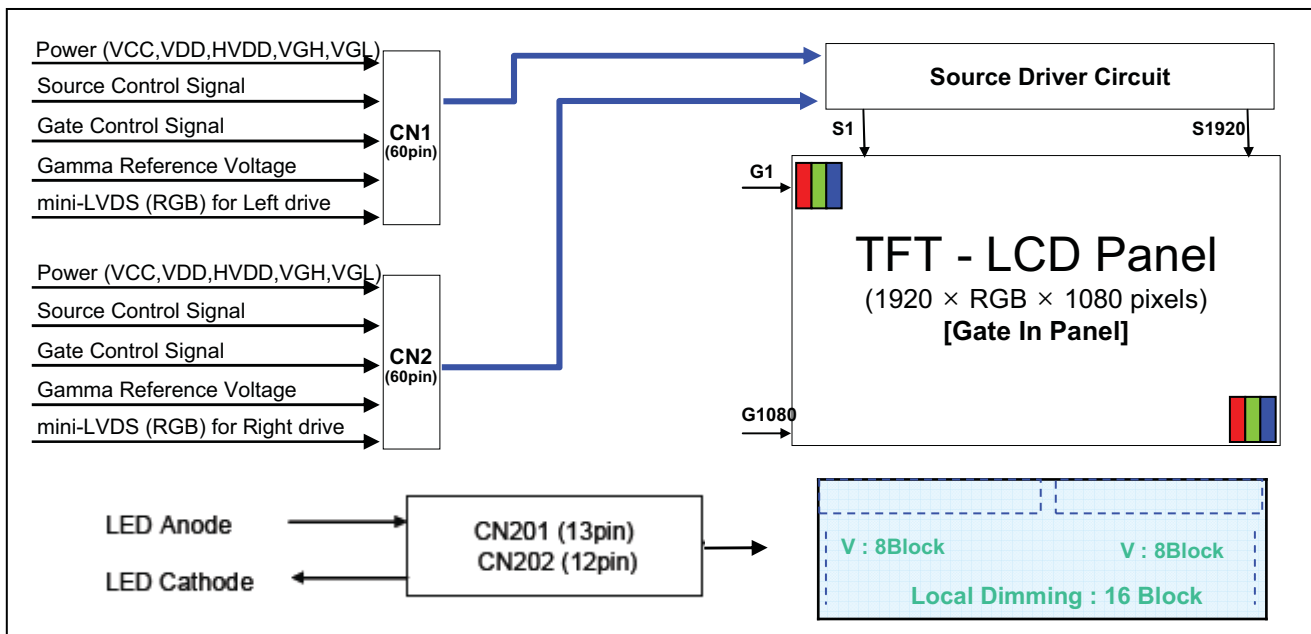
It is a transmissive display type which is operating in the normally black mode. It has a 46.96 inch diagonally measured active display area with WUXGA resolution (1080 vertical by 1920 horizontal pixel array).

Each pixel is divided into Red, Green and Blue sub-pixels or dots which are arrayed in vertical stripes.

Gray scale or the luminance of the sub-pixel color is determined with a **8-bit** gray scale signal for each dot.

Therefore, it can present a palette of more than **1.67M(ture) colors**.

It is intended to support LCD TV, PCTV where high brightness, super wide viewing angle, high color gamut, high color depth and fast response time are important.



## General Features

Active Screen Size	46.96inches(1192.87mm) diagonal
Outline Dimension	1078.6(H) × 626.0(V) X 21.0 mm(D) (Typ.)
Pixel Pitch	0.5415 mm x 0.5415 mm
Pixel Format	1920 horiz. by 1080 vert. Pixels, RGB stripe arrangement
Color Depth	8-bit, 16.7 M colors (※ 1.06B colors @ 10 bit (D) System Output )
Drive IC Data Interface	Source D-IC : <b>8-bit</b> mini-LVDS, gamma reference voltage, and control signals Gate D-IC : Gate In Panel
Luminance, White	<b>400</b> cd/m <sup>2</sup> (Center 1point ,Typ.)
Viewing Angle (CR>10)	Viewing angle free ( R/L 178 (Min.), U/D 178 (Min.))
Power Consumption	Total 90.4W (Typ.) (Logic=8.0 W with T-CON, LED Backlight = <b>81.9W</b> )
Weight	14.0 Kg (Typ.), 15.5kg (Max.)
Display Operating Mode	Transmissive mode, normally black
Surface Treatment	Hard coating(3H), Anti-glare treatment of the front polarizer (Haze 10%)



LC470EUH

## Engineering Specification

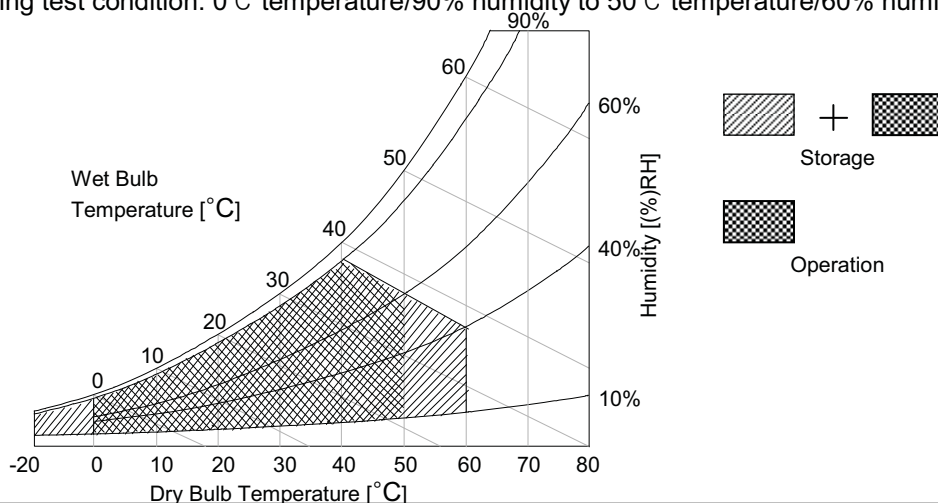
## 2. Absolute Maximum Ratings

The following items are maximum values which, if exceeded, may cause faulty operation or **permanent** damage to the LCD module.

**Table 1. ABSOLUTE MAXIMUM RATINGS**

Parameter	Symbol	Value		Unit	Note
		Min	Max		
Logic Power Voltage	VCC	-0.5	+4.0	V <sub>DC</sub>	1
Gate High Voltage	VGH	+18.0	+30.0	V <sub>DC</sub>	
Gate Low Voltage	VGL	-8.0	-4.0	V <sub>DC</sub>	
Source D-IC Analog Voltage	VDD	-0.3	+18.0	V <sub>DC</sub>	
Gamma Ref. Voltage (Upper)	VGMH	½VDD-0.5	VDD+0.5	V <sub>DC</sub>	
Gamma Ref. Voltage (Low)	VGML	-0.3	½ VDD+0.5	V <sub>DC</sub>	
LED Input voltage (Forward voltage)	V <sub>f</sub>	-	<b>+56.0</b>	V <sub>DC</sub>	
Panel Front Temperature	T <sub>SUR</sub>	-	+68	°C	4
Operating Temperature	T <sub>OP</sub>	0	+50	°C	2,3
Storage Temperature	T <sub>ST</sub>	-20	+60	°C	
Operating Ambient Humidity	H <sub>OP</sub>	10	90	%RH	
Storage Humidity	H <sub>ST</sub>	10	90	%RH	

- Note
1. Ambient temperature condition ( $T_a = 25 \pm 2 \text{ }^\circ\text{C}$ )
  2. Temperature and relative humidity range are shown in the figure below. Wet bulb temperature should be Max 39 °C and no condensation of water.
  3. Gravity mura can be guaranteed below 40°C condition.
  4. The maximum operating temperature is based on the test condition that the surface temperature of display area is less than or equal to 68 °C with LCD module alone in a temperature controlled chamber. Thermal management should be considered in final product design to prevent the surface temperature of display area from being over 68 °C. The range of operating temperature may degrade in case of improper thermal management in final product design.
  5. The storage test condition: -20°C temperature/90% humidity to 60°C temperature/40% humidity ; the operating test condition: 0°C temperature/90% humidity to 50°C temperature/60% humidity.





LC470EUH

## Engineering Specification

### 3. Electrical Specifications

It requires two kind of power inputs.

One is employed to power for the LCD circuit. The other is used for the LED backlight circuit.

#### 3-1. Electrical Characteristics

Table 2. DC ELECTRICAL CHARACTERISTICS

Parameter	Symbol	Condition	MIN	TYP	MAX	Units	Note
Logic Power Voltage	VCC	-	3.0	3.3	3.6	V	
Logic High Level Input Voltage	V <sub>IH</sub>		2.3		VCC	V	
Logic Low Level Input Voltage	V <sub>IL</sub>		0		0.8	V	
Source D-IC Analog Voltage	VDD	-	16.1	16.3	16.5	V	
Half Source D-IC Analog Voltage	H_VDD		7.75	8.1	8.35	V	
Output Voltage range	VOUT	-	0.2		VDD-0.2	V	
Gamma Reference Voltage	V <sub>GMH</sub>	V <sub>GMA</sub> (GMA1 ~ GMA9)	½*VDD		VDD-0.2	V	
	V <sub>GML</sub>	V <sub>GMA</sub> (GMA10 ~ GMA18)	0.2		½*VDD	V	
Common Voltage	V <sub>com</sub>	-	6.56	6.86	7.16	V	
Clock frequency	CLK	3.0V ≤ VCC ≤ 3.6V			312	MHz	
mini-LVDS input Voltage (Center)	V <sub>I</sub>	Clock and Data	0.7+ (VID/2)		(VCC-1.2) - VID / 2	V	5,6
mini-LVDS input Voltage Distortion (Center)	ΔV <sub>IB</sub>				800	mV	
mini-LVDS differential Voltage range	V <sub>ID</sub>		200		800	mV	
mini-LVDS differential Voltage range Dip	ΔV <sub>ID</sub>		25		800	mV	
Gate High Voltage	VGH	VGH1 @ 0°C	28.7	29	29.3	VDC	Fig. 1
		VGH2 @ 25°C	27.7	28	28.3		
Gate Low Voltage	VGL	-	-5.2	-5.0	-4.8	VDC	
Total Power Current	I <sub>LCD</sub>	-		670	870	mA	1,2
Total Power Consumption	P <sub>LCD</sub>	-		8.0	10.5	Watt	

Notes : 1. The specified current and power consumption are under the VLCD=12V., 25±2°C, fV=120Hz condition whereas mosaic pattern(8 x 6) is displayed and fV is the frame frequency (with LGD T-Con board).

2. The above spec is based on the basic model.

3. All of the typical gate voltage should be controlled within 1% voltage level

4. Ripple voltage level is recommended under 10%

5. In case of mini-LVDS signal spec, refer to Fig 2 for the more detail.

6. Logic Level Input Signal : SOE,POL,GSP,H\_CONV,OPT\_N

7. HVDD Voltage level is half of VDD and it should be between Gamma9 and Gamma10.



LC470EUH

Engineering Specification

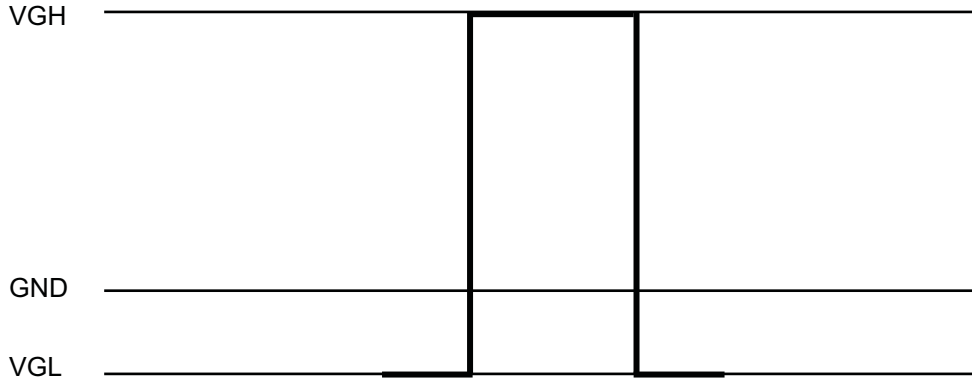


FIG. 1 Gate Output Wave form

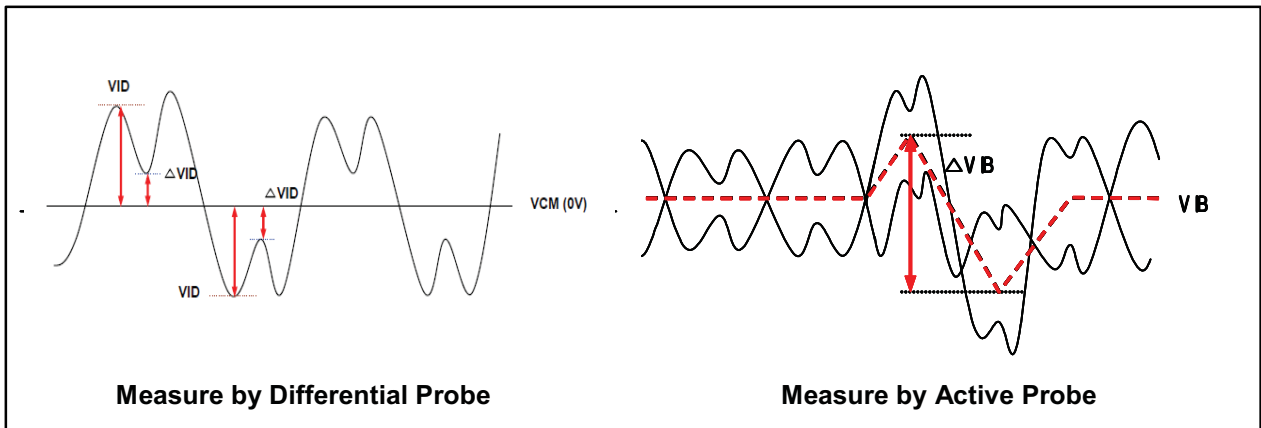


FIG. 2 Description of VID, ΔVIB, ΔVID

\* Source PCB

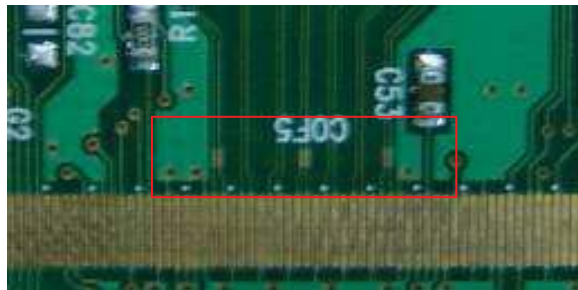


FIG. 3 Measure point



LC470EUH

## Engineering Specification

Table 3. ELECTRICAL CHARACTERISTICS (Continue)

Parameter	Symbol	Values			Unit	Note	
		Min	Typ	Max			
<b>Backlight Assembly :</b>							
Forward Current (one array)	Anode	$I_{F (anode)}$	-	<b>400</b>	-	mAdc	±5%
	Cathode	$I_{F (cathode)}$	<b>95</b>	<b>100</b>	<b>105</b>	mAdc	2, 3
Forward Voltage		$V_F$	<b>46.4</b>	<b>51.2</b>	<b>56</b>	Vdc	4
Forward Voltage Variation		$\Delta V_F$			1.7	Vdc	5
Power Consumption		$P_{BL}$	<b>74.2</b>	<b>81.9</b>	<b>89.6</b>	W	6
Burst Dimming Duty		On duty	10		100	%	
Burst Dimming Frequency		1/T	95		182	Hz	8
<b>LED Array : (APPENDIX-V)</b>							
Life Time			30,000			Hrs	7

## Notes :

The design of the LED driver must have specifications for the LED array in LCD Assembly.

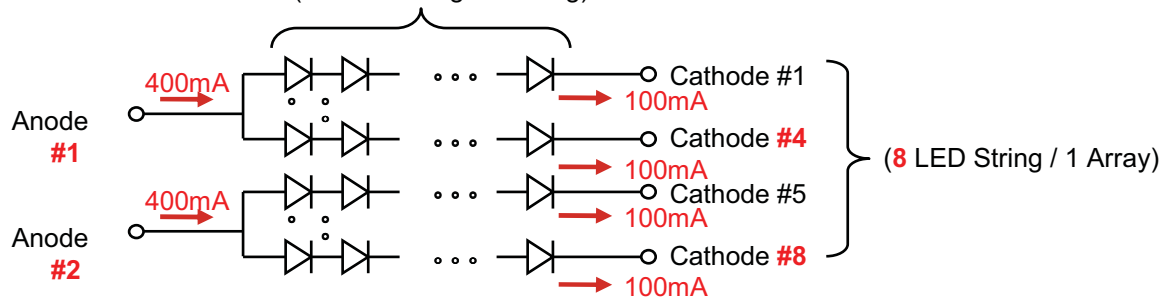
The electrical characteristics of LED driver are based on Constant Current driving type.

The performance of the LED in LCM, for example life time or brightness, is extremely influenced by the characteristics of the LED Driver. So, all the parameters of an LED driver should be carefully designed.

When you design or order the LED driver, please make sure unwanted lighting caused by the mismatch of the LED and the driver (no lighting, flicker, etc) has never been occurred. When you confirm it, the LCD-Assembly should be operated in the same condition as installed in your instrument.

1. Electrical characteristics are based on LED Array specification.
2. Specified values are defined for a Backlight Assembly. (IBL : 2 LED array)
3. Each LED array has 2 anode terminal and 8 cathode terminals.

The forward current( $I_F$ ) of the anode terminal is 400mA and it supplies 100mA into four strings, respectively  
(8LED Package / 1string)



4. The forward voltage( $V_F$ ) of LED array depends on ambient temperature.
5.  $\Delta V_F$  means Max  $V_F$ -Min  $V_F$  in one Backlight. So  $V_F$  variation in a Backlight isn't over Max. **1.7V**
6. Maximum level of power consumption is measured at initial turn on.  
Typical level of power consumption is measured after 1hrs aging at  $25 \pm 2^\circ\text{C}$ .
7. The life time(MTTF) is determined as the time at which brightness of the LED is 50% compared to that of initial value at the typical LED current on condition of continuous operating at  $25 \pm 2^\circ\text{C}$ , based on duty 100%.
8. The reference method of burst dimming duty ratio.  
It is recommended to use synchronous V-sync frequency to prevent waterfall.(Vsync x 2 =Burst Frequency)  
Though PWM frequency is over 120Hz (max 252Hz), function of LED Driver is not affected.





LC470EUH

## Engineering Specification

### 3-2. Interface Connections

This LCD module employs two kinds of interface connection, two 60-pin FFC connector are used for the module electronics and 12-pin,13-pin connectors are used for the integral backlight system.

#### 3-2-1. LCD Module

-LCD Connector (CN1): TF06L-60S-0.5SF (Manufactured by HRS)

**Table 4. MODULE CONNECTOR(CN1) PIN CONFIGURATION**

No	Symbol	Description	No	Symbol	Description
1	LTD_OUT	LTD OUTPUT	31	LLV4 +	Left Mini LVDS Receiver Signal(4+)
2	NC	No Connection	32	LLV3 -	Left Mini LVDS Receiver Signal(3-)
3	GCLK1	GIP GATE Clock 1	33	LLV3 +	Left Mini LVDS Receiver Signal(3+)
4	GCLK2	GIP GATE Clock 2	34	LCLK -	Left Mini LVDS Receiver Clock Signal(-)
5	GCLK3	GIP GATE Clock 3	35	LCLK +	Left Mini LVDS Receiver Clock Signal(+)
6	GCLK4	GIP GATE Clock 4	36	LLV2 -	Left Mini LVDS Receiver Signal(2-)
7	GCLK5	GIP GATE Clock 5	37	LLV2 +	Left Mini LVDS Receiver Signal(2+)
8	GCLK6	GIP GATE Clock 6	38	LLV1 -	Left Mini LVDS Receiver Signal(1-)
9	VGI_N	GIP Bi-Scan (Normal =VGL Rotate = VGH)	39	LLV1 +	Left Mini LVDS Receiver Signal(1+)
10	VGI_P	GIP Bi-Scan (Normal =VGH Rotate = VGL)	40	LLV0 -	Left Mini LVDS Receiver Signal(0-)
11	VGH_ODD	GIP Panel VDD for Odd GATE TFT	41	LLV0 +	Left Mini LVDS Receiver Signal(0+)
12	VGH_EVEN	GIP Panel VDD for Even GATE TFT	42	GND	Ground
13	VGL	GATE Low Voltage	43	SOE	Source Output Enable SIGNAL
14	VST	VERTICAL START PULSE	44	POL	Polarity Control Signal
15	GIP_Reset	GIP Reset	45	GSP	GATE Start Pulse
16	VCOM_L_FB	VCOM Left Feed-Back Output	46	H_CONV	"H" H 2dot Inversion/ "L" H 1dot Inversion
17	VCOM_L	VCOM Left Input	47	OPT_N	"H" Normal Display / "L" Rotation Display
18	GND	Ground	48	GND	Ground
19	GND	Ground	49	GMA 18	GAMMA VOLTAGE 18 (Output From LCD)
20	VDD	Driver Power Supply Voltage	50	GMA 16	GAMMA VOLTAGE 16
21	VDD	Driver Power Supply Voltage	51	GMA 15	GAMMA VOLTAGE 15
22	H_VDD	Half Driver Power Supply Voltage	52	GMA 14	GAMMA VOLTAGE 14
23	H_VDD	Half Driver Power Supply Voltage	53	GMA 12	GAMMA VOLTAGE 12
24	GND	Ground	54	GMA 10	GAMMA VOLTAGE 10 (Output From LCD)
25	VCC	Logic Power Supply Voltage	55	GMA 9	GAMMA VOLTAGE 9 (Output From LCD)
26	VCC	Logic Power Supply Voltage	56	GMA 7	GAMMA VOLTAGE 7
27	GND	Ground	57	GMA 5	GAMMA VOLTAGE 5
28	LLV5 -	Left Mini LVDS Receiver Signal(5-)	58	GMA 4	GAMMA VOLTAGE 4
29	LLV5 +	Left Mini LVDS Receiver Signal(5+)	59	GMA 3	GAMMA VOLTAGE 3
30	LLV4 -	Left Mini LVDS Receiver Signal(4-)	60	GMA 1	GAMMA VOLTAGE 1(Output From LCD)



LC470EUH

## Engineering Specification

-LCD Connector (CN2): TF06L-60S-0.5SF(Manufactured by HRS)

Table 5. MODULE CONNECTOR(CN2) PIN CONFIGURATION

No	Symbol	Description	No	Symbol	Description
1	GMA 1	GAMMA VOLTAGE 1 (Output From LCD)	31	RLV1 +	Right Mini LVDS Receiver Signal(1+)
2	GMA 3	GAMMA VOLTAGE 3	32	RLV0 -	Right Mini LVDS Receiver Signal(0-)
3	GMA 4	GAMMA VOLTAGE 4	33	RLV0 +	Right Mini LVDS Receiver Signal(0+)
4	GMA 5	GAMMA VOLTAGE 5	34	GND	Ground
5	GMA 7	GAMMA VOLTAGE 7	35	VCC	Logic Power Supply Voltage
6	GMA 9	GAMMA VOLTAGE 9 (Output From LCD)	36	VCC	Logic Power Supply Voltage
7	GMA 10	GAMMA VOLTAGE 10 (Output From LCD)	37	GND	Ground
8	GMA 12	GAMMA VOLTAGE 12	38	H_VDD	Half Driver Power Supply Voltage
9	GMA 14	GAMMA VOLTAGE 14	39	H_VDD	Half Driver Power Supply Voltage
10	GMA 15	GAMMA VOLTAGE 15	40	VDD	Driver Power Supply Voltage
11	GMA 16	GAMMA VOLTAGE 16	41	VDD	Driver Power Supply Voltage
12	GMA 18	GAMMA VOLTAGE 18 (Output From LCD)	42	GND	Ground
13	GND	Ground	43	GND	Ground
14	OPT_N	"H" Normal Display / "L" Rotation Display	44	VCOM_R	VCOM Right Input
15	H_CONV	"H" H 2dot Inversion/ "L" H 1dot Inversion	45	VCOM_R_FB	VCOM Right Feed-Back Output
16	GSP	GATE Start Pulse	46	GIP_Reset	GIP Reset
17	POL	Polarity Control Signal	47	VST	VERTICAL START PULSE
18	SOE	Source Output Enable SIGNAL	48	VGL	GATE Low Voltage
19	GND	Ground	49	VGH_EVEN	GIP Panel VDD for Even GATE TFT
20	RLV5 -	Right Mini LVDS Receiver Signal(5-)	50	VGH_ODD	GIP Panel VDD for Odd GATE TFT
21	RLV5 +	Right Mini LVDS Receiver Signal(5+)	51	VGI_P	GIP Bi-Scan (Normal =VGH Rotate = VGL)
22	RLV4 -	Right Mini LVDS Receiver Signal(4-)	52	VGI_N	GIP Bi-Scan (Normal =VGL Rotate = VGH)
23	RLV4 +	Right Mini LVDS Receiver Signal(4+)	53	GCLK6	GIP GATE Clock 6
24	RLV3 -	Right Mini LVDS Receiver Signal(3-)	54	GCLK5	GIP GATE Clock 5
25	RLV3 +	Right Mini LVDS Receiver Signal(3+)	55	GCLK4	GIP GATE Clock 4
26	RCLK -	Right Mini LVDS Receiver Clock Signal(-)	56	GCLK3	GIP GATE Clock 3
27	RCLK +	Right Mini LVDS Receiver Clock Signal(+)	57	GCLK2	GIP GATE Clock 2
28	RLV2 -	Right Mini LVDS Receiver Signal(2-)	58	GCLK1	GIP GATE Clock 1
29	RLV2 +	Right Mini LVDS Receiver Signal(2+)	59	NC	No Connection
30	RLV1 -	Right Mini LVDS Receiver Signal(1-)	60	LTD_OUT	LTD OUTPUT

- Notes :
1. All GND (Ground) pins should be connected together to the LCD module's metal frame.
  2. All VLCD (power input) pins should be connected together.
  3. All NC pins are used for internal data process of the LCD module.  
If not used, these pins are no connection.





LC470EUH

Engineering Specification

3-2-2. Backlight Module

[ CN201 ]

- 1) LED Array assy Connector (Plug)  
: 20022HS-13B2(BK) (manufactured by Yeonho)
- 2) Mating Connector (Receptacle)  
: 20022WR-13BD (manufactured by Yeonho)

[ CN202 ]

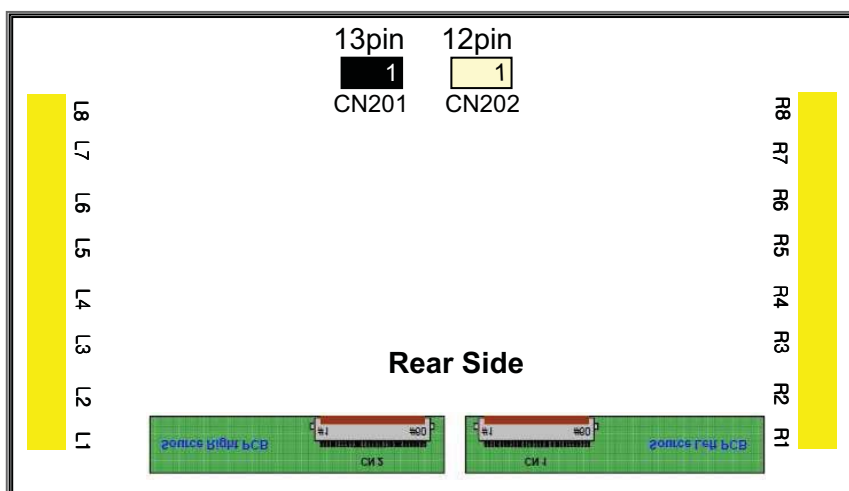
- 1) LED Array assy Connector (Plug)  
: 20022HS-12B2 (manufactured by Yeonho)
- 2) Mating Connector (Receptacle)  
: 20022WR-12BD (manufactured by Yeonho)

Table 6. BACKLIGHT CONNECTOR PIN CONFIGURATION

No	Symbol	Description	Note
1	Anode_L1 (1~4Cathode)	LED Input Current	
2	N.C	Open	
3	L1 Cathode	LED Output Current	
4	L2 Cathode	LED Output Current	
5	L3 Cathode	LED Output Current	
6	L4 Cathode	LED Output Current	
7	N.C	Open	
8	L5 Cathode	LED Output Current	
9	L6 Cathode	LED Output Current	
10	L7 Cathode	LED Output Current	
11	L8 Cathode	LED Output Current	
12	N.C	Open	
13	Anode_L2 (5~8Cathode)	LED Input Current	

No	Symbol	Description	Note
1	Anode_R2 (5~8Cathode)	LED Input Current	
2	N.C	Open	
3	R8Cathode	LED Output Current	
4	R7 Cathode	LED Output Current	
5	R6 Cathode	LED Output Current	
6	R5 Cathode	LED Output Current	
7	R4 Cathode	LED Output Current	
8	R3 Cathode	LED Output Current	
9	R2 Cathode	LED Output Current	
10	R1 Cathode	LED Output Current	
11	N.C	Open	
12	Anode_R1 (1~4Cathode)	LED Input Current	

◆ Rear view of LCM





LC470EUH

## Engineering Specification

## 3-3. Signal Timing Specification

TABLE 7. Timing Requirements

Parameter	Symbol	Condition	Min	Typ	Max	Units
Clock pulse period	t1		3.2	3.4		ns
Clock pulse low period	t2		1.6	-	-	ns
Clock pulse high period	t3		1.6	-	-	ns
Data setup time	t6		0.55	-	-	ns
Data hold time	t7		0.55	-	-	ns
Reset low to SOE rising time	t8		0	-	-	ns
SOE to Reset input time	t9		200	-	-	ns
Receiver off to SOE timing	t10		5	-	-	CLK cycle
POL signal SOE setup time	t11		-5	-	-	ns
POL signal SOE hold time	t12		6	-	-	ns
Reset High Period	t13		Over 50ns & more over 3 CLK			-
SOE signal Pulse Width	t14		200			ns

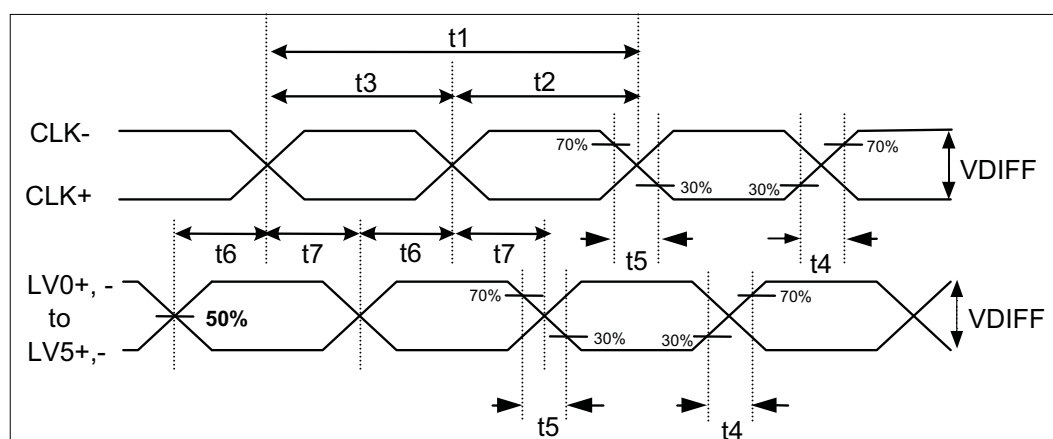


FIG 4. Clock Timing Waveform



LC470EUH

Engineering Specification

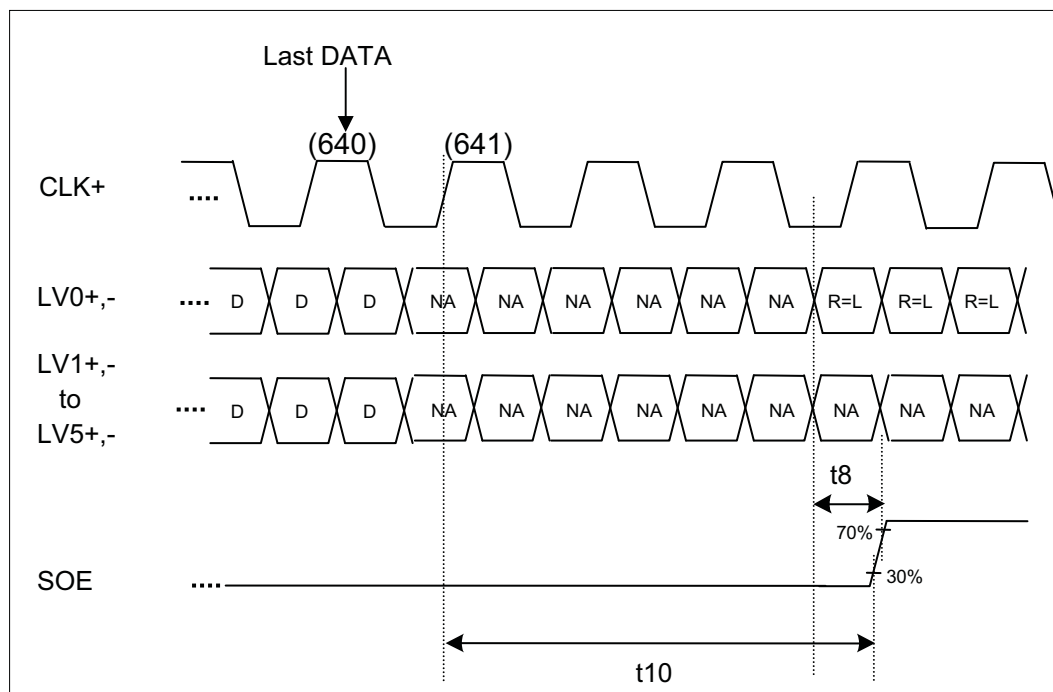
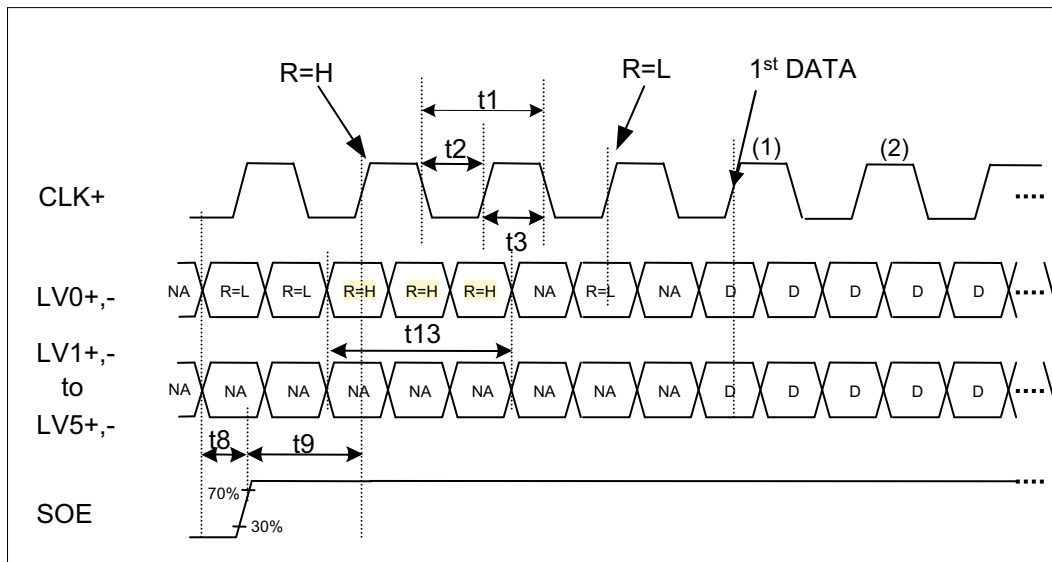


FIG 5. Clock and SOE Timing Waveform



LC470EUH

## Engineering Specification

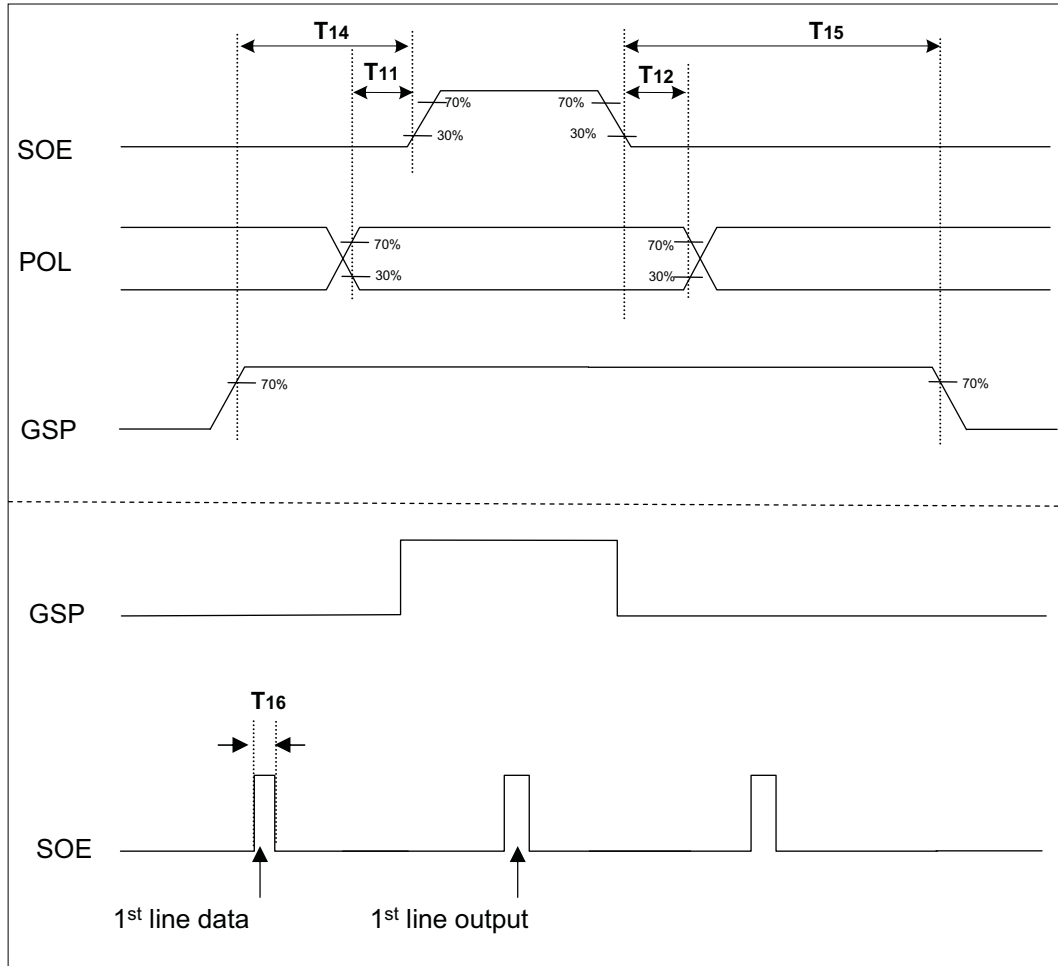


FIG 6. POL, GSP and SOE Timing Waveform



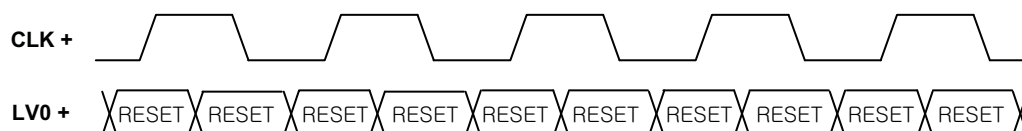
LC470EUH

## Engineering Specification

### 3-4. Data Mapping and Timing

Display data and control signal (RESET) are input to LV0 to LV5. Data mapping is changed in response to mode, and the mode is changed by mode.

#### 3-4-1. Control signal input mode



#### 3-4-2. Display data input mode

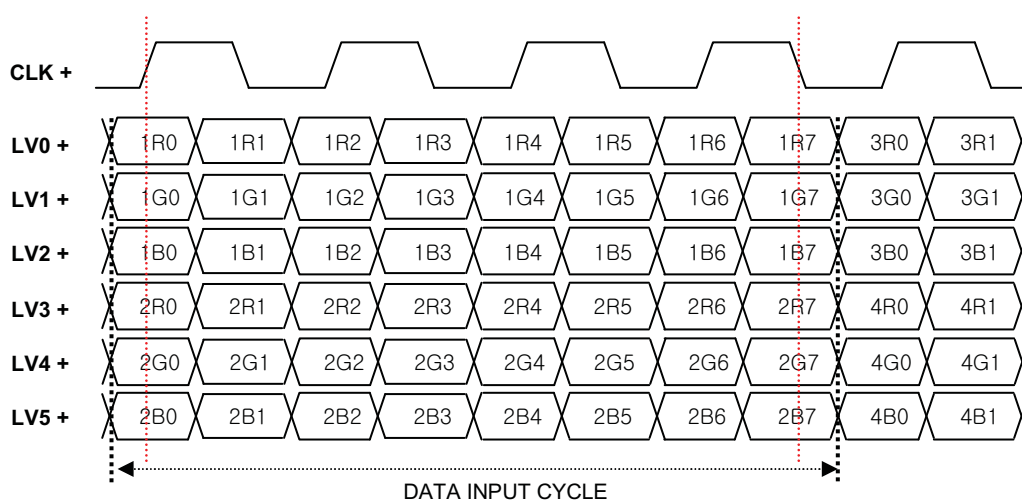


Fig. 7 mini-LVDS Data

### 3-5. Panel Pixel Structure

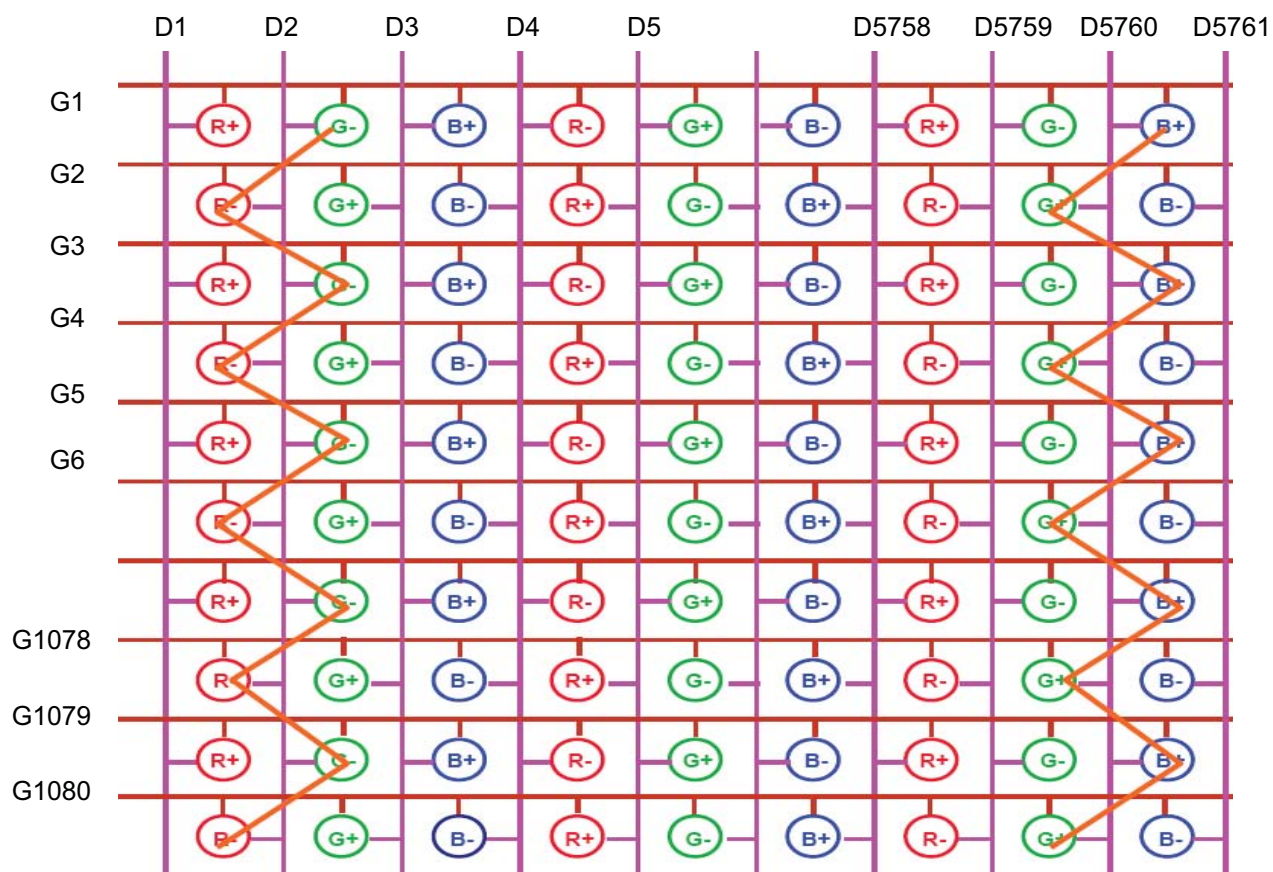


FIG. 8 Panel Pixel Structure





LC470EUH

## Engineering Specification

## 3-7. Power Sequence

## 3-7-1. LCD Driving circuit

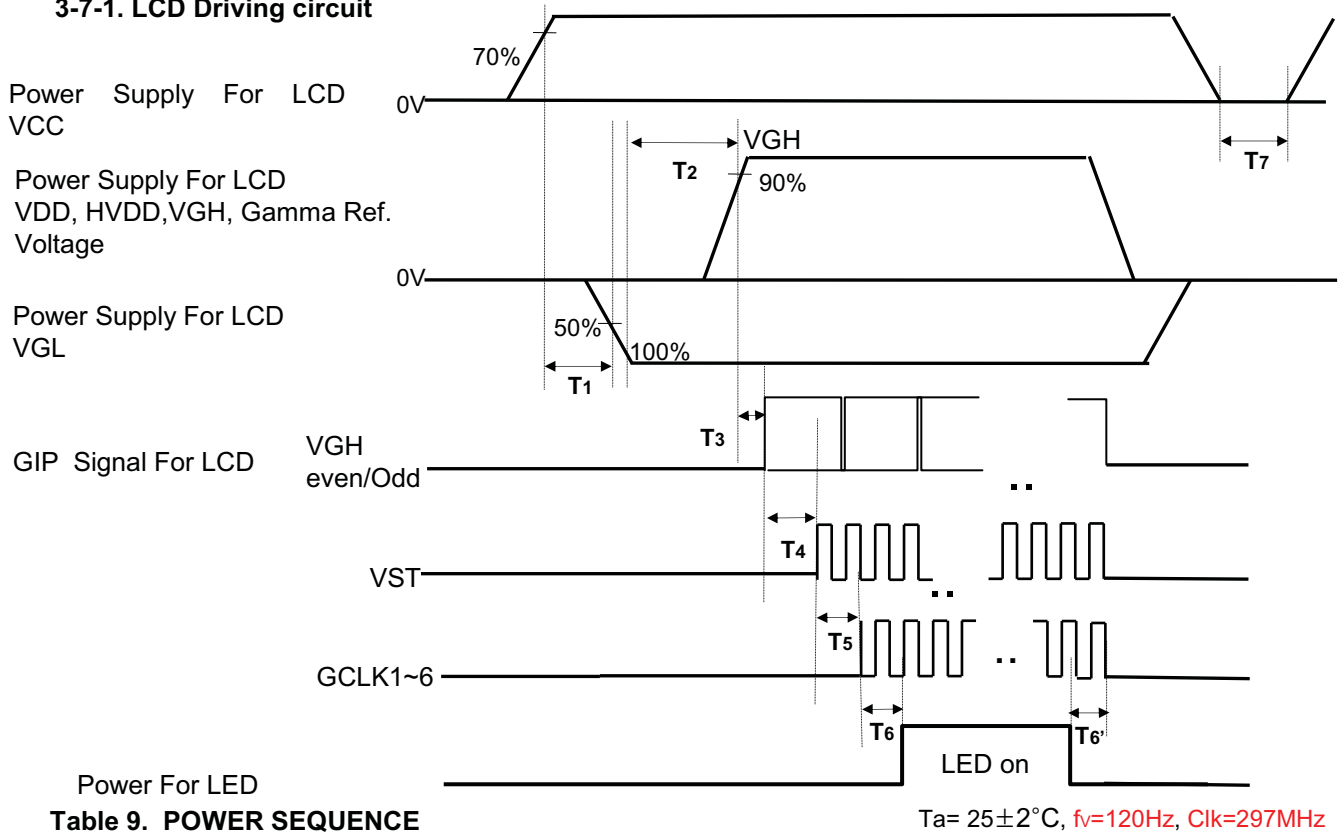


Table 9. POWER SEQUENCE

 $T_a = 25 \pm 2^\circ\text{C}$ ,  $f_v = 120\text{Hz}$ ,  $\text{Clk} = 297\text{MHz}$ 

Parameter	Value			Unit	Notes
	Min	Typ	Max		
$T_1$	0.5		-	ms	
$T_2$	0.5		-	ms	
$T_3$	0		-	ms	
$T_4$	10		-	ms	2
$T_5$	0		-	ms	
$T_6 / T_6'$	20		-	ms	
$T_7$	2		-	sec	

- Note :
- Power sequence for Source D-IC must follow the Case1 & 2.  
※ Please refer to Appendix V for more details.
  - VGH Odd signal should be started "High" status and VGH even & odd can not be "High at the same time.
  - Power Off Sequence order is reverse of Power On Condition including Source D-IC.
  - GCLK On/Off Sequence  
Normal : GCLK4 → GCLK5 → GCLK6 → GCLK1 → GCLK2 → GCLK3.  
Reverse : GCLK3 → GCLK2 → GCLK1 → GCLK6 → GCLK5 → GCLK4.
  - VDD\_odd/even transition time should be within V<sub>blank</sub>



LC470EUH

## Engineering Specification

## 4. Optical Specification

Optical characteristics are determined after the unit has been 'ON' and stable in a dark environment at  $25\pm 2^{\circ}\text{C}$ . The values are specified at distance 50cm from the LCD surface at a viewing angle of  $\Phi$  and  $\theta$  equal to  $0^{\circ}$ .

FIG. 8 shows additional information concerning the measurement equipment and method.

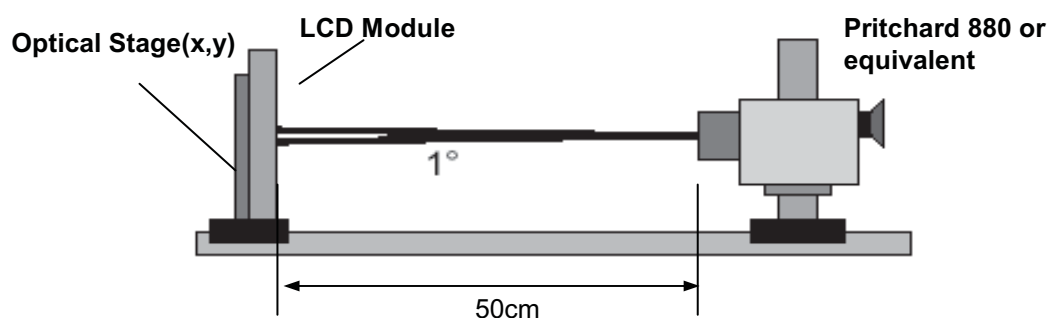


FIG. 8 Optical Characteristic Measurement Equipment and Method

$T_a = 25\pm 2^{\circ}\text{C}$ , VDD, H\_VDD, VGH, VGL = typ.

,  $f_v = 120\text{Hz}$ , Clk = 297MHz, Vf/lf = typ.

Table 10. OPTICAL CHARACTERISTICS

Parameter	Symbol	Value			Unit	Note	
		Min	Typ	Max			
Contrast Ratio	CR	1100	1600	-		1	
Surface Luminance, white	$L_{WH}$	320	400	-	cd/m <sup>2</sup>	2	
Luminance Variation	$\delta_{WHITE}$   5P	-	-	1.3		3	
Response Time	Gray-to-Gray	G to G	-	5	8	ms	4
	MPRT	MPRT	-	8	12	ms	5
	Uniformity	$\delta_{MPRT}$	-	-	1		
	Uniformity	$\delta_{G TO G}$	-	-	1		
Color Coordinates [CIE1931]	RED	Rx	Typ -0.03	0.649	Typ +0.03		
		Ry		0.332			
	GREEN	Gx		0.307			
		Gy		0.595			
	BLUE	Bx		0.149			
		By		0.059			
	WHITE	Wx		0.279			
Wy		0.292					
Color Temperature			10,000		K		
Color Gamut			72		%		
Viewing Angle (CR>10)							
	x axis, right( $\phi=0^{\circ}$ )	$\theta_r$	89	-	-	degree	6
	x axis, left ( $\phi=180^{\circ}$ )	$\theta_l$	89	-	-		
	y axis, up ( $\phi=90^{\circ}$ )	$\theta_u$	89	-	-		
	y axis, down ( $\phi=270^{\circ}$ )	$\theta_d$	89	-	-		
Gray Scale			-	-	-		7



LC470EUH

## Engineering Specification

Note : 1. Contrast Ratio(CR) is defined mathematically as :

$$\text{Contrast Ratio} = \frac{\text{Surface Luminance with all white pixels}}{\text{Surface Luminance with all black pixels}}$$

It is measured at center 1-point.

2. Surface luminance are determined after the unit has been 'ON' and 1 Hour after lighting the backlight in a dark environment at  $25 \pm 2^\circ\text{C}$ . Surface luminance is the luminance value at center 1-point across the LCD surface 50cm from the surface with all pixels displaying white.

For more information see the FIG. 9.

3. The variation in surface luminance ,  $\delta$  WHITE is defined as :

$$\delta \text{ WHITE}(5P) = \frac{\text{Maximum}(L_{on1}, L_{on2}, L_{on3}, L_{on4}, L_{on5})}{\text{Minimum}(L_{on1}, L_{on2}, L_{on3}, L_{on4}, L_{on5})}$$

Where  $L_{on1}$  to  $L_{on5}$  are the luminance with all pixels displaying white at 5 locations .

For more information, see the FIG. 9.

4. Response time is the time required for the display to transit from G(N) to G(M) (Rise Time,  $Tr_R$ ) and from G(M) to G(N) (Decay Time,  $Tr_D$ ). For additional information see the FIG. 10. (N<M)

5. MPRT is defined as the 10% to 90% blur-edge width  $Bij$ (pixels) and scroll speed  $U$ (pixels/frame)at the moving picture. For more information, see FIG.11.

6. Viewing angle is the angle at which the contrast ratio is greater than 10. The angles are determined for the horizontal or x axis and the vertical or y axis with respect to the z axis which is normal to the LCD module surface. For more information, see the FIG. 12.

7. Gray scale specification

Gamma Value is approximately 2.2. For more information, see the Table 11.

**Table 11. GRAY SCALE SPECIFICATION**

Gray Level	Luminance [%] (Typ)
L0	0.07
L15	0.27
L31	1.04
L47	2.49
L63	4.68
L79	7.66
L95	11.5
L111	16.1
L127	21.6
L143	28.1
L159	35.4
L175	43.7
L191	53.0
L207	63.2
L223	74.5
L239	86.7
L255	100

	Gray Level	Gamma Ref.
Positive Voltage	L0	Gamma9
	L1	Gamma8
	L31	Gamma7
	L63	Gamma6
	L127	Gamma5
	L191	Gamma4
	L223	Gamma3
	L255	Gamma1
Negative Voltage	L255	Gamma18
	L223	Gamma16
	L191	Gamma15
	L127	Gamma14
	L63	Gamma13
	L31	Gamma12
	L1	Gamma11
	L0	Gamma10



LC470EUH

## Engineering Specification

Measuring point for surface luminance & measuring point for luminance variation.

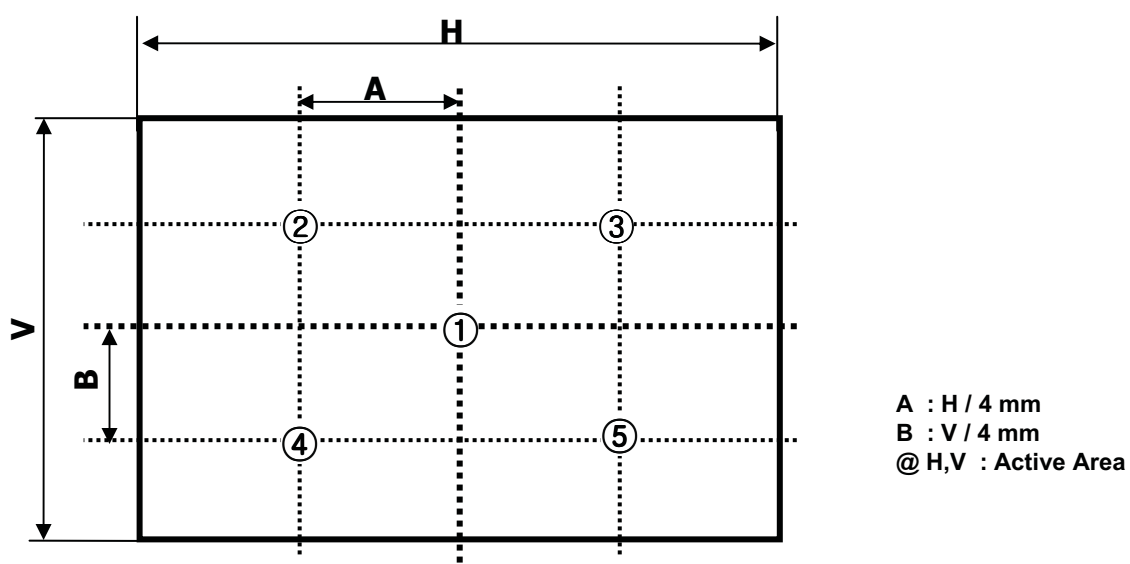


FIG.9 5 Points for Luminance Measure

Response time is defined as the following figure and shall be measured by switching the input signal for "Gray(N)" and "Gray(M)".

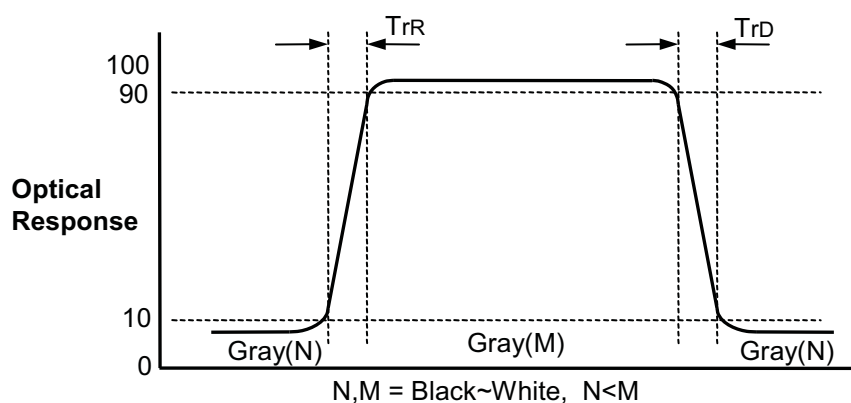


FIG. 10 Response Time



LC470EUH

## Engineering Specification

MPRT is defined as the 10% to 90% blur-edge with  $B_{ij}$ (pixels) and scroll speed  $U$ (pixels/frame)at the moving picture.

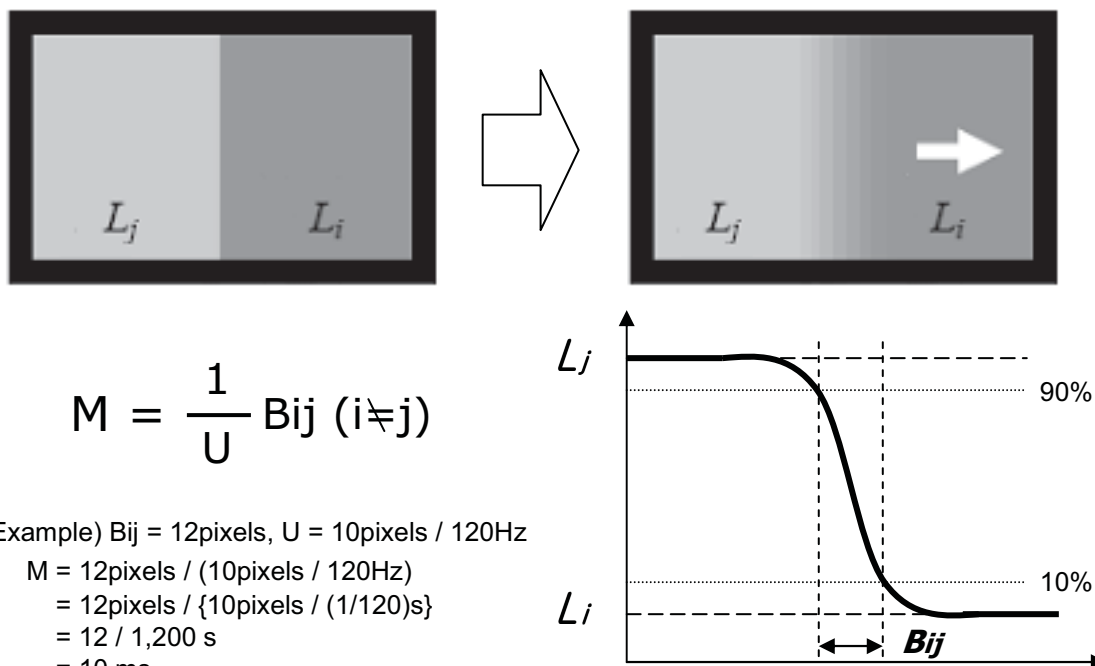


FIG. 11 MPRT

Dimension of viewing angle range

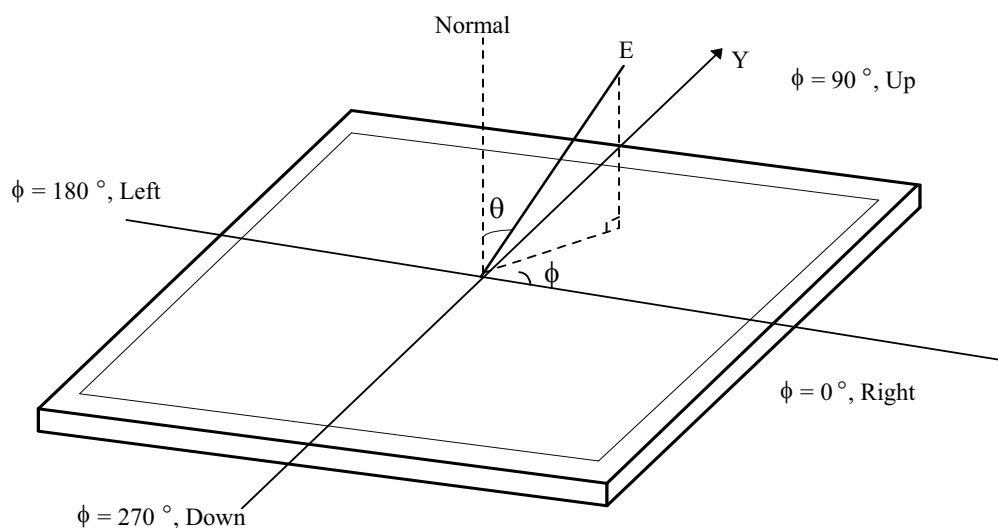


FIG. 12 Viewing Angle



LC470EUH

## Engineering Specification

## 5. Mechanical Characteristics

Table 12 provides general mechanical characteristics.

**Table 12. MECHANICAL CHARACTERISTICS**

Item	Value	
Outline Dimension	Horizontal	1078.6 mm
	Vertical	626.0 mm
	Depth	21.0mm
Bezel Area	Horizontal	1048.6 mm
	Vertical	593.0 mm
Active Display Area	Horizontal	1039.7 mm
	Vertical	584.8 mm
Weight	14.0 Kg (Typ.), 15.5kg (Max.)	

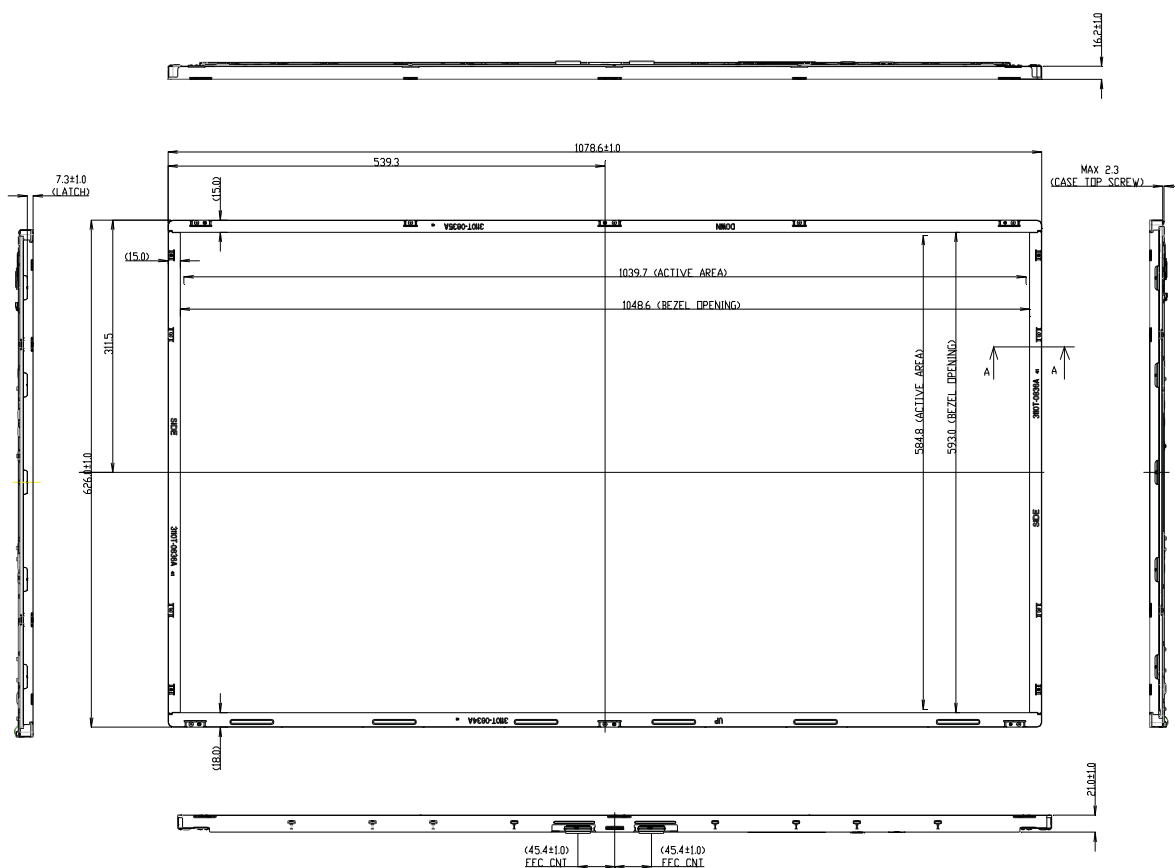
Note : Please refer to a mechanical drawing in terms of tolerance at the next page.



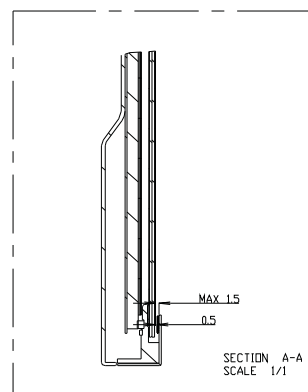
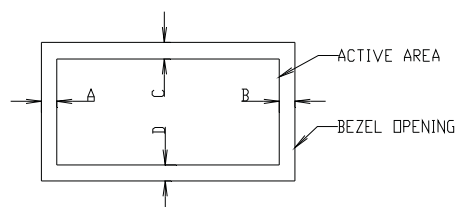
LC470EUH

Engineering Specification

[ FRONT VIEW ]



- NOTE
1. UNSPECIFIED TOLERANCE IS ±1.0mm
  2. TILT AND PARTIAL DISPOSITION TOLERANCE OF DISPLAY AREA AS FOLLOWING.  
 (a) Y-DIRECTION : A-B  
 (b) X-DIRECTION : C-D
  3. M3.0 , M4.0 TAP: Max Torque 6kgf.cm

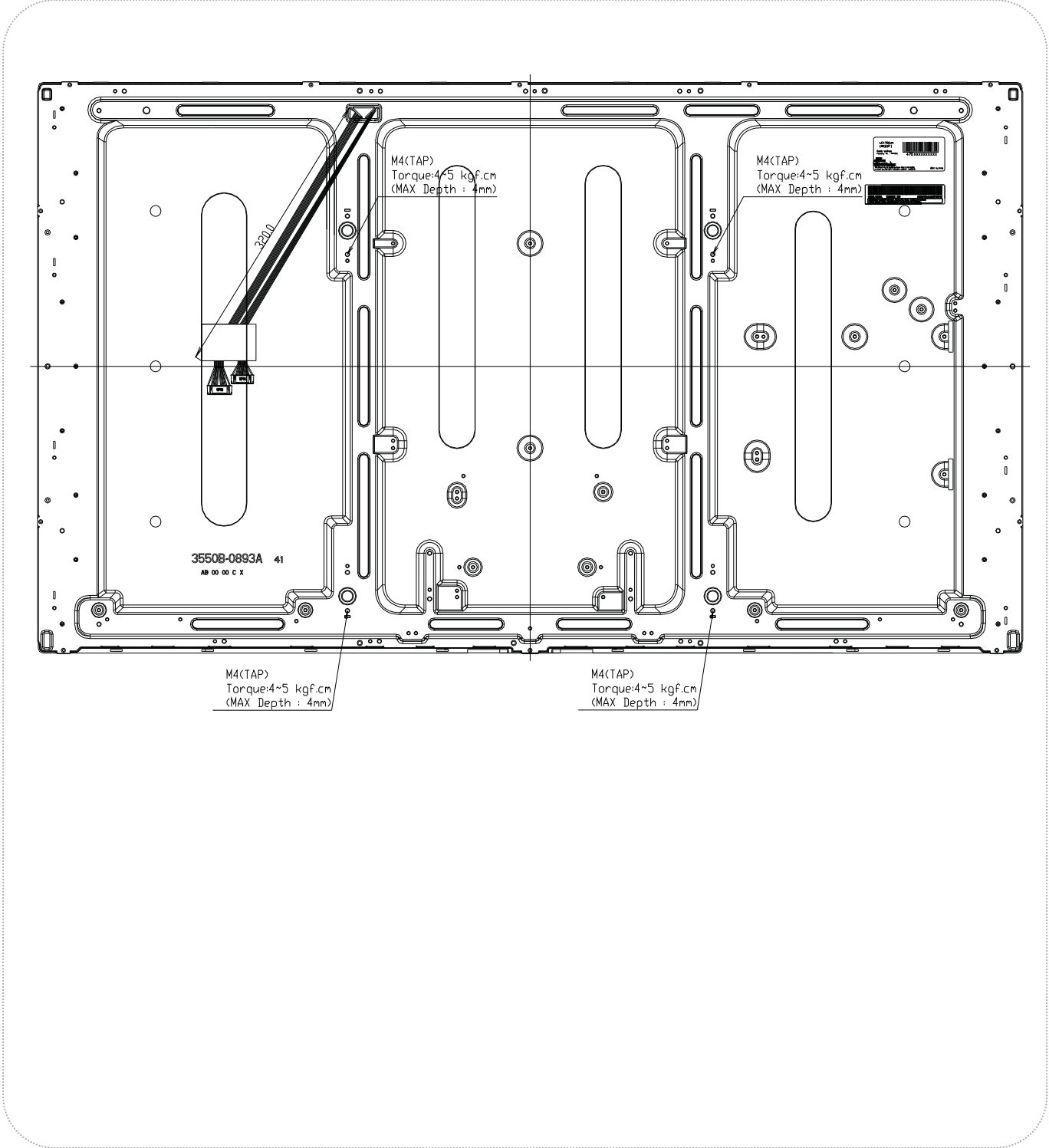




LC470EUH

Engineering Specification

[ REAR VIEW ]







LC470EUH

## Engineering Specification

## 6. Reliability

Table 11. ENVIRONMENT TEST CONDITION

No.	Test Item	Condition
1	High temperature storage test	Ta= 60°C 240h
2	Low temperature storage test	Ta= -20°C 240h
3	High temperature operation test	Ta= 50°C 50%RH 240h
4	Low temperature operation test	Ta= 0°C 240h
5	Vibration test (non-operating)	Wave form : random Vibration level : 1.0Grms Bandwidth : 10-300Hz Duration : X,Y,Z, 30 min Each direction per 10 min
6	Shock test (non-operating)	Shock level : 50Grms Waveform : half sine wave, 11ms Direction : ±X, ±Y, ±Z One time each direction
7	Humidity condition Operation	Ta= 40 °C ,90%RH
8	Altitude operating storage / shipment	0 - 15,000 ft 0 - 40,000 ft

Note : Before and after Reliability test, LCM should be operated with normal function.



LC470EUH

## Engineering Specification

## 7. International Standards

### 7-1. Safety

- a) UL 60065, Seventh Edition, Underwriters Laboratories Inc.  
Audio, Video and Similar Electronic Apparatus - Safety Requirements.
- b) CAN/CSA C22.2 No.60065:03, Canadian Standards Association.  
Audio, Video and Similar Electronic Apparatus - Safety Requirements.
- c) EN 60065:2002 + A11:2008, European Committee for Electrotechnical Standardization (CENELEC).  
Audio, Video and Similar Electronic Apparatus - Safety Requirements.
- d) IEC 60065:2005 + A1:2005, The International Electrotechnical Commission (IEC).  
Audio, Video and Similar Electronic Apparatus - Safety Requirements.  
(Including report of IEC60825-1:2001 clause 8 and clause 9)

#### Notes

##### 1. Laser (LED Backlight) Information

Class 1M LED Product IEC60825-1 : 2001 Embedded LED Power (Class1M) Power : 6.5896 mW (Max.) Wavelength : 277 ~526 (nm) Width : 1.6 x 0.6 (mm)
---

##### 2. Caution

- : LED inside.
- Class 1M laser (LEDs) radiation when open.
- Do not open while operating.

### 7-2. Environment

- a) RoHS, Directive 2002/95/EC of the European Parliament and of the council of 27 January 2003 on the restriction of the use of certain hazardous substances in electrical and electronic equipment



## Engineering Specification

### 8. Precautions

Please pay attention to the followings when you use this TFT LCD module.

#### 8-1. Mounting Precautions

- (1) You must mount a module using specified mounting holes (Details refer to the drawings).
- (2) You should consider the mounting structure so that uneven force (ex. Twisted stress) is not applied to the module. And the case on which a module is mounted should have sufficient strength so that external force is not transmitted directly to the module.
- (3) Please attach the surface transparent protective plate to the surface in order to protect the polarizer. Transparent protective plate should have sufficient strength in order to resist external force.
- (4) You should adopt radiation structure to satisfy the temperature specification.
- (5) Acetic acid type and chlorine type materials for the cover case are not desirable because the former generates corrosive gas of attacking the polarizer at high temperature and the latter causes circuit break by electro-chemical reaction.
- (6) Do not touch, push or rub the exposed polarizers with glass, tweezers or anything harder than HB pencil lead. And please do not rub with dust clothes with chemical treatment. Do not touch the surface of polarizer for bare hand or greasy cloth. (Some cosmetics are detrimental to the polarizer.)
- (7) When the surface becomes dusty, please wipe gently with absorbent cotton or other soft materials like chamois soaks with petroleum benzene. Normal-hexane is recommended for cleaning the adhesives used to attach front / rear polarizers. Do not use acetone, toluene and alcohol because they cause chemical damage to the polarizer
- (8) Wipe off saliva or water drops as soon as possible. Their long time contact with polarizer causes deformations and color fading.
- (9) Do not open the case because inside circuits do not have sufficient strength.

#### 8-2. Operating Precautions

- (1) The spike noise causes the mis-operation of circuits. It should be lower than following voltage :  
 $V = \pm 200\text{mV}$  (Over and under shoot voltage)
- (2) Response time depends on the temperature. (In lower temperature, it becomes longer.)
- (3) Brightness depends on the temperature. (In lower temperature, it becomes lower.)  
And in lower temperature, response time (required time that brightness is stable after turned on) becomes longer
- (4) Be careful for condensation at sudden temperature change. Condensation makes damage to polarizer or electrical contacted parts. And after fading condensation, smear or spot will occur.
- (5) When fixed patterns are displayed for a long time, remnant image is likely to occur.
- (6) Module has high frequency circuits. Sufficient suppression to the electromagnetic interference shall be done by system manufacturers. Grounding and shielding methods may be important to minimize the interference.
- (7) Please do not give any mechanical and/or acoustical impact to LCM. Otherwise, LCM can't be operated its full characteristics perfectly.
- (8) A screw which is fastened up the steels should be a machine screw.  
(if not, it can cause conductive particles and deal LCM a fatal blow)
- (9) Please do not set LCD on its edge.
- (10) The conductive material and signal cables are kept away from LED driver inductor to prevent abnormal display, sound noise and temperature rising.



LC470EUH

## Engineering Specification

### 8-3. Electrostatic Discharge Control

Since a module is composed of electronic circuits, it is not strong to electrostatic discharge. Make certain that treatment persons are connected to ground through wrist band etc. And don't touch interface pin directly.

### 8-4. Precautions for Strong Light Exposure

Strong light exposure causes degradation of polarizer and color filter.

### 8-5. Storage

When storing modules as spares for a long time, the following precautions are necessary.

- (1) Store them in a dark place. Do not expose the module to sunlight or fluorescent light. Keep the temperature between 5°C and 35°C at normal humidity.
- (2) The polarizer surface should not come in contact with any other object.  
It is recommended that they be stored in the container in which they were shipped.
- (3) Storage condition is guaranteed under packing conditions.
- (4) The phase transition of Liquid Crystal could be recovered if the LCM is released at the normal condition after the low or over the storage temperature.

### 8-6. Handling Precautions for Protection Film

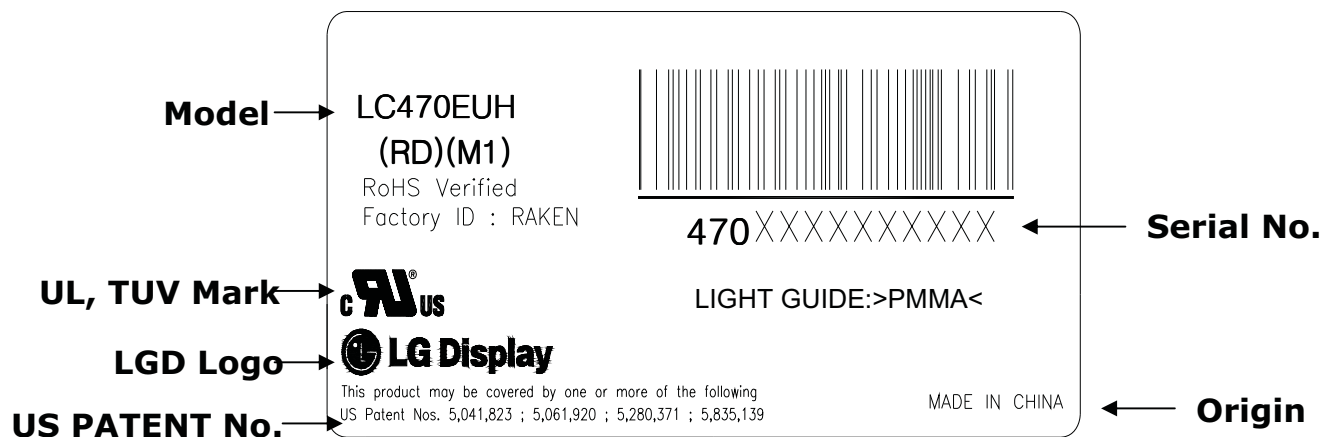
- (1) The protection film is attached to the bezel with a small masking tape.  
When the protection film is peeled off, static electricity is generated between the film and polarizer.  
This should be peeled off slowly and carefully by people who are electrically grounded and with well ion-blown equipment or in such a condition, etc.
- (2) When the module with protection film attached is stored for a long time, sometimes there remains a very small amount of glue still on the bezel after the protection film is peeled off.
- (3) You can remove the glue easily. When the glue remains on the bezel surface or its vestige is recognized, please wipe them off with absorbent cotton waste or other soft material like chamois soaked with normal-hexane.



LC470EUH

# APPENDIX- I

■ LCM Label





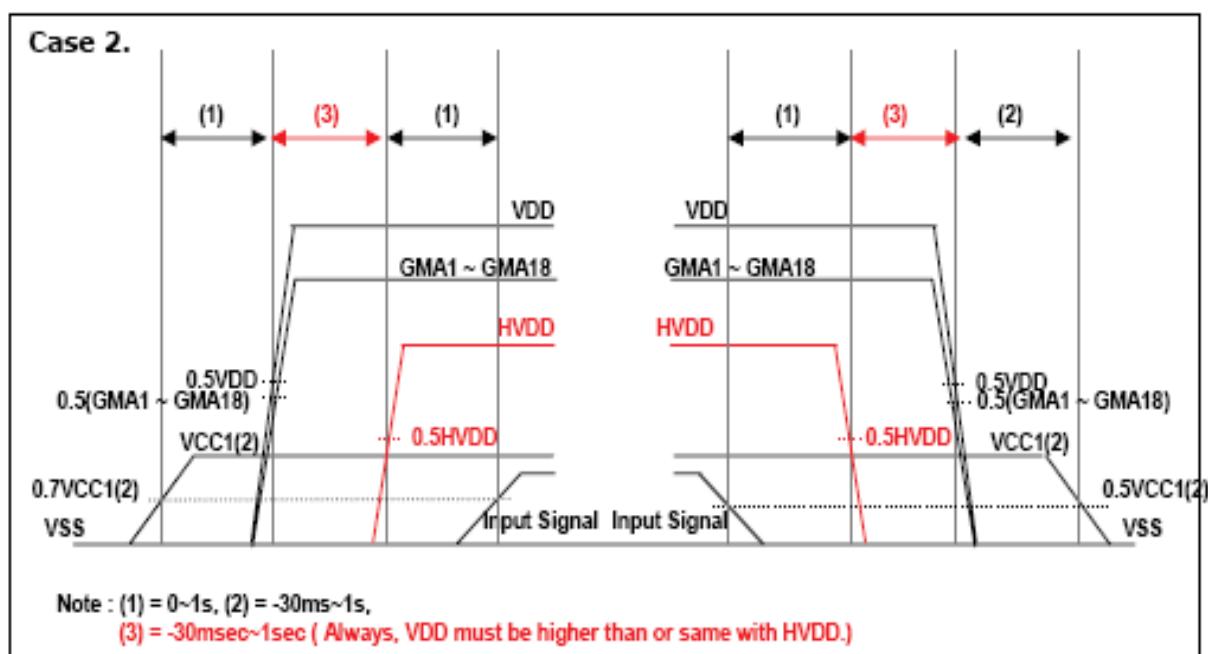
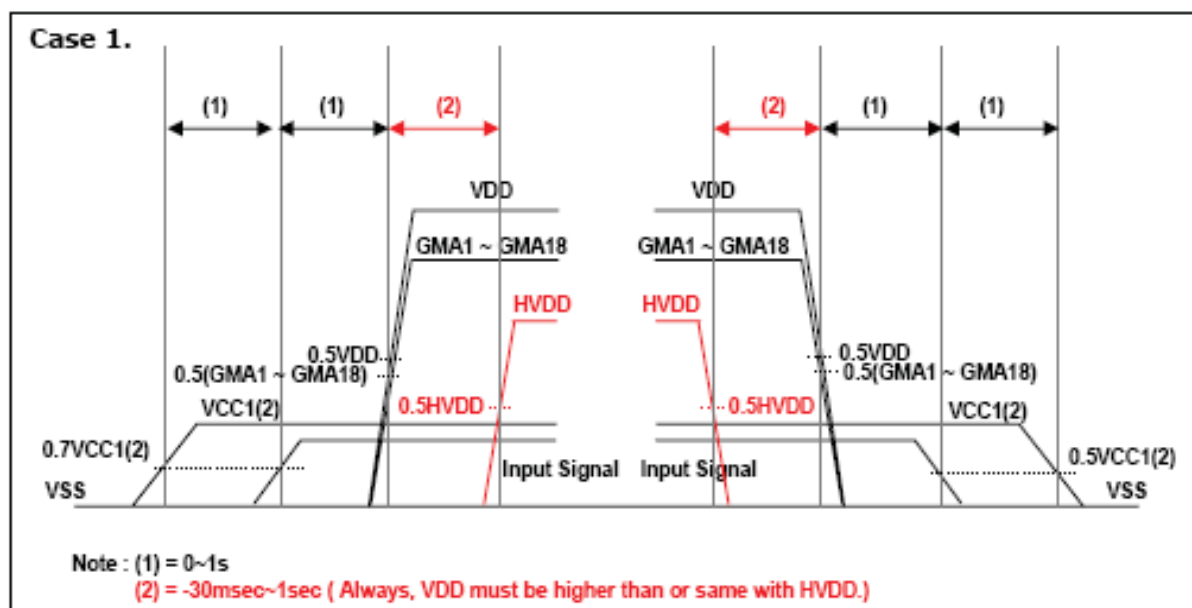
LC470EUH

## Engineering Specification

## # APPENDIX-11

## ■ LCM Source power sequence

## &lt; Source power sequence &gt;



- Input Signal : SOE,POL,GSP,H\_CONV,OPT\_N

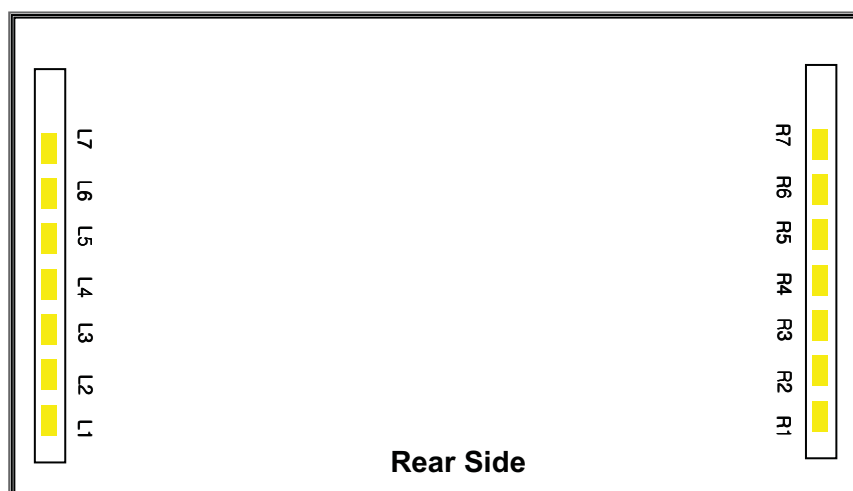
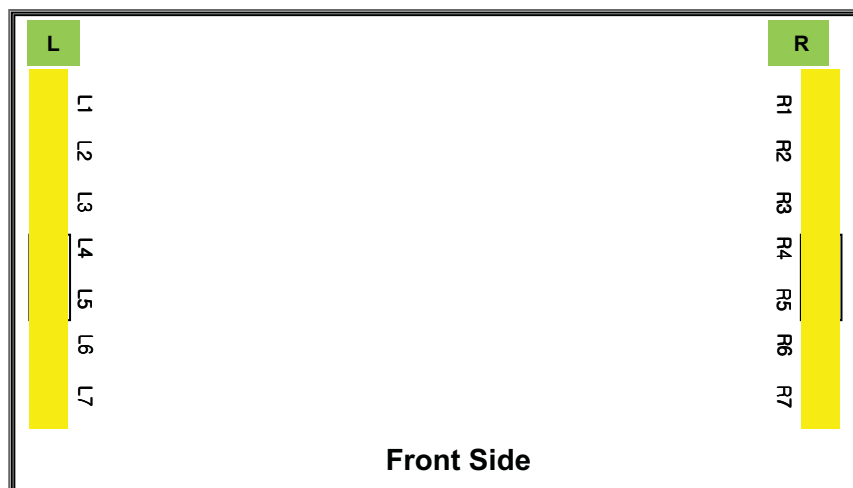


LC470EUH

## Engineering Specification

## # APPENDIX- IV

## ■ Local Dimming Block Pin Matching



LED Driver CNT		
Pin No	CN_201	CN_202
1	Anode_L1 (1~4Cathode)	Anode_R2 (5~8Cathode)
2	N.C	N.C
3	L1 Cathode	R8Cathode
4	L2 Cathode	R7 Cathode
5	L3 Cathode	R6 Cathode
6	L4 Cathode	R5 Cathode
7	N.C	R4 Cathode
8	L5 Cathode	R3 Cathode
9	L6 Cathode	R2 Cathode
10	L7 Cathode	R1 Cathode
11	L8 Cathode	N.C
12	N.C	Anode_R1 (1~4Cathode)
13	Anode_L2 (5~8Cathode)	-