

# SPECIFICATION FOR APPROVAL

- ( ) Preliminary Specification
- (●) Final Specification

Title	50.0" WUXGA TFT LCD
-------	---------------------

BUYER	
MODEL	

SUPPLIER	LG Display Co., Ltd.
*MODEL	LC500EUN
SUFFIX	SFM1(RoHS Verified)

\*When you obtain standard approval, please use the above model name without suffix

APPROVED BY	SIGNATURE DATE
/	
/	
/	

Please return 1 copy for your confirmation with your signature and comments.

APPROVED BY	SIGNATURE DATE
J.T. Kim / Team Leader	
<b>REVIEWED BY</b>	
J.Y. Jeong / Project Leader	
<b>PREPARED BY</b>	
Y. J. Yoon / Engineer	

**TV Product Development Dept.  
LG Display Co., Ltd.**

## Product Specification

**CONTENTS**

Number	ITEM	Page
	COVER	0
	CONTENTS	1
	RECORD OF REVISIONS	2
1	GENERAL DESCRIPTION	3
2	ABSOLUTE MAXIMUM RATINGS	4
3	ELECTRICAL SPECIFICATIONS	
3-1	ELECTRICAL CHARACTERISTICS	5-6
3-2	INTERFACE CONNECTIONS	7-8
3-3	SIGNAL TIMING SPECIFICATIONS	9-10
3-4	SIGNAL TIMING WAVEFORMS	11-13
3-5	COLOR DATA REFERENCE	14
3-6	POWER SEQUENCE	15-16
4	OPTICAL SPECIFICATIONS	17-20
5	MECHANICAL CHARACTERISTICS	21-23
6	RELIABILITY	24
7	INTERNATIONAL STANDARDS	
7-1	SAFETY	25
7-2	ENVIRONMENT	25
8	PACKING	
8-1	DESIGNATION OF LOT MARK	26
8-2	PACKING FORM	26
9	PRECAUTIONS	
9-1	MOUNTING PRECAUTIONS	27
9-2	OPERATING PRECAUTIONS	27
9-3	ELECTROSTATIC DISCHARGE CONTROL	28
9-4	PRECAUTIONS FOR STRONG LIGHT EXPOSURE	28
9-5	STORAGE	28
# APPENDIX I ~ VII	APPENDIX I ~ VII	29-36



## Product Specification

## 1. General Description

The LC500EUN is a Color Active Matrix Liquid Crystal Display with an integral Light Emitting Diode (LED) backlight system. The matrix employs a-Si Thin Film Transistor as the active element.

It is a transmissive display type which is operating in the normally black mode. It has a 49.50 inch diagonally measured active display area with WUXGA resolution (1080 vertical by 1920 horizontal pixel array).

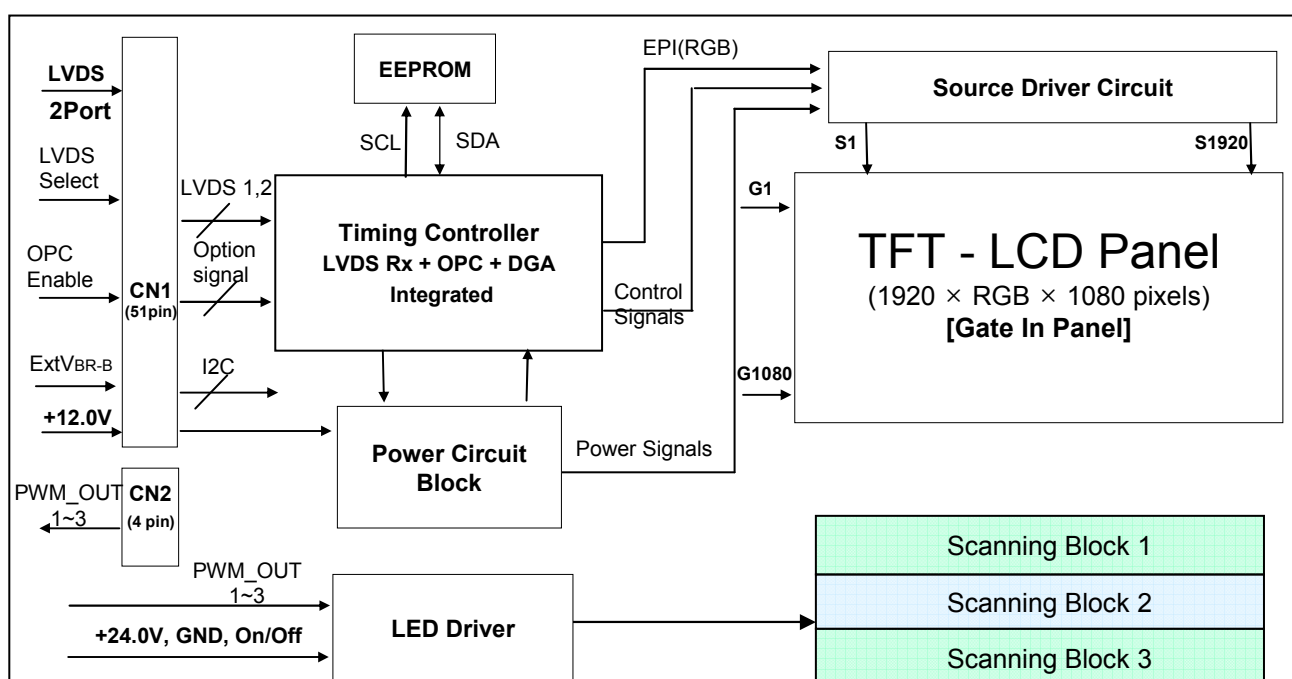
Each pixel is divided into Red, Green and Blue sub-pixels or dots which are arrayed in vertical stripes.

Gray scale or the luminance of the sub-pixel color is determined with a 8-bit gray scale signal for each dot.

Therefore, it can present a palette of more than 16.7 Million colors.

It has been designed to apply the 8-bit 2-port LVDS interface.

It is intended to support LCD TV, PCTV where high brightness, super wide viewing angle, high color gamut, high color depth and fast response time are important.



## General Features

Active Screen Size	49.50 inches(1257.31mm) diagonal
Outline Dimension	1121.6(H) × 644.3(V) X 10.8(B)mm(D) (Typ.)
Pixel Pitch	0.57075 mm x 0.57075 mm
Pixel Format	1920 horiz. by 1080 vert. Pixels, RGB stripe arrangement
Color Depth	8bit, 16.7 Million colors
Luminance, White	300 cd/m <sup>2</sup> (Center 1point ,Typ.)
Viewing Angle (CR>10)	Viewing angle free ( R/L 178 (Min.), U/D 178 (Min.))
Power Consumption	Total 75.8W (Typ.) [Logic= 6.7W, LED Driver= 69.1W (ExtVbr_B=100% )]
Weight	12.8 Kg (Typ.)
Display Mode	Transmissive mode, Normally black
Surface Treatment	Hard coating(3H), Anti-glare treatment of the front polarizer (Haze 10%)

## Product Specification

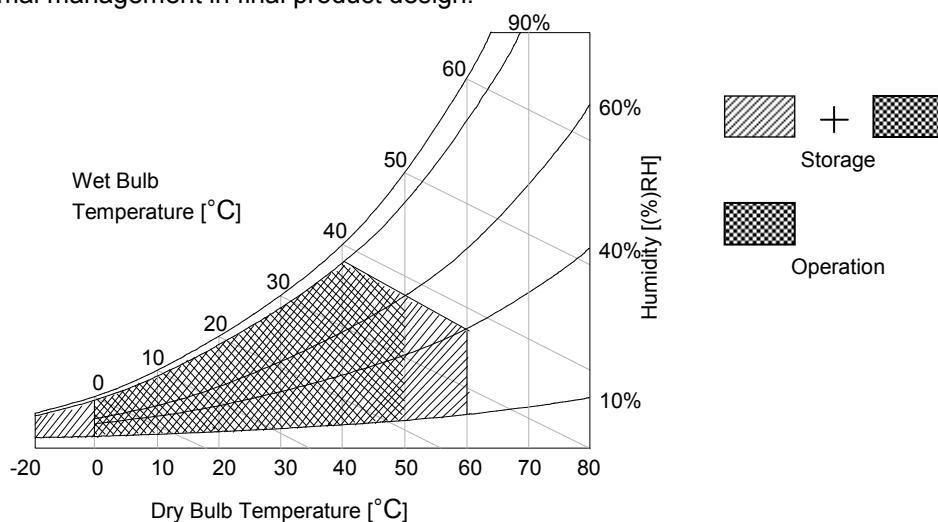
## 2. Absolute Maximum Ratings

The following items are maximum values which, if exceeded, may cause faulty operation or permanent damage to the LCD module.

**Table 1. ABSOLUTE MAXIMUM RATINGS**

Parameter		Symbol	Value		Unit	Notes	
			Min	Max			
Power Input Voltage	LCD Circuit	VLCD	-0.3	+14.0	VDC	1	
	Driver	VBL	-0.3	+ 27.0	VDC		
Driver Control Voltage	ON/OFF	VOFF / VON	-0.3	+5.5	VDC		
	Brightness	EXTV <sub>BR-B</sub>	-0.3	+4.0	VDC		
T-Con Option Selection Voltage		VLOGIC	-0.3	+5.5	VDC		
Operating Temperature		TOP	0	+50	°C		2,3
Storage Temperature		TST	-20	+60	°C		
Panel Front Temperature		TSUR	-	+68	°C		4
Operating Ambient Humidity		HOP	10	90	%RH		2,3
Storage Humidity		HST	10	90	%RH		

- Notes
1. Ambient temperature condition ( $T_a = 25 \pm 2 \text{ }^\circ\text{C}$ )
  2. Temperature and relative humidity range are shown in the figure below.  
Wet bulb temperature should be Max  $39^\circ\text{C}$ , and no condensation of water.
  3. Gravity mura can be guaranteed below  $40^\circ\text{C}$  condition.
  4. The maximum operating temperatures is based on the test condition that the surface temperature of display area is less than or equal to  $68^\circ\text{C}$  with LCD module alone in a temperature controlled chamber. Thermal management should be considered in final product design to prevent the surface temperature of display area from being over  $68^\circ\text{C}$ . The range of operating temperature may be degraded in case of improper thermal management in final product design.



## Product Specification

### 3. Electrical Specifications

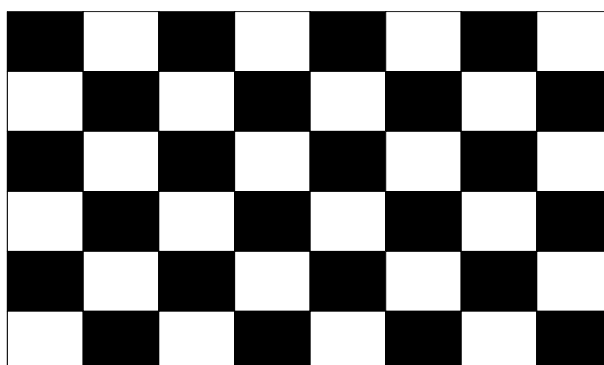
#### 3-1. Electrical Characteristics

It requires two power inputs. One is employed to power for the LCD circuit. The other is used for the LED backlight and LED Driver circuit.

**Table 2. ELECTRICAL CHARACTERISTICS**

Parameter	Symbol	Value			Unit	notes
		Min	Typ	Max		
<b>Circuit :</b>						
Power Input Voltage	V <sub>LCD</sub>	10.8	12.0	13.2	Vdc	
Power Input Current	I <sub>LCD</sub>	-	558	725	mA	1
		-	834	1084	mA	2
Power Consumption	PLCD		6.7	8.7	Watt	1
Rush current	IRUSH	-	-	5.0	A	3
Brightness Adjust for Back Light	ExtV <sub>BR-B</sub>	5	-	100	%	On Duty 4
		1	-	100	%	
	ExtV <sub>BR-B</sub> Frequency	40	50/60	80	Hz	
Pulse Duty Level (PWM)	High Level	2.5	-	3.6	Vdc	HIGH : on duty LOW : off duty
	Low Level	0	-	0.8	Vdc	

- notes
1. The specified current and power consumption are under the V<sub>LCD</sub>=12.0V, Ta=25 ± 2°C, f<sub>v</sub>=60Hz condition, and mosaic pattern(8 x 6) is displayed and f<sub>v</sub> is the frame frequency.
  2. The current is specified at the maximum current pattern.
  3. The duration of rush current is about 2ms and rising time of power input is 0.5ms (min.).
  4. ExtV<sub>BR-B</sub> signal have to input available duty range and sequence.  
After Driver ON signal is applied, ExtV<sub>BR-B</sub> should be sustained from 5% to 100% more than 500ms.  
After that, ExtV<sub>BR-B</sub> 1% and 100% is possible  
For more information, please see 3-6-2. Sequence for LED Driver.
  5. Ripple voltage level is recommended under ±5% of typical voltage



White : 255 Gray  
Black : 0 Gray

**Mosaic Pattern(8 x 6)**

## Product Specification

Table 3. ELECTRICAL CHARACTERISTICS (Continue)

Parameter		Symbol	Values			Unit	notes
			Min	Typ	Max		
LED Driver :							
Power Supply Input Voltage		VBL	22.8	24.0	25.2	Vdc	1
Power Supply Input Current		IBL	-	2.88	3.1	A	1
Power Supply Input Current (In-Rush)		In-rush	-	-	6	A	$V_{BL} = 22.8V$ $ExtV_{BR-B} = 100\%$ 3
Power Consumption		PBL	-	69.1	74.5	W	1
Input Voltage for Control System Signals	On/Off	On	V on	2.5	-	5.0	Vdc
		Off	V off	-0.3	0.0	0.7	Vdc
LED :							
Life Time			30,000	50,000		Hrs	2

## notes :

1. Electrical characteristics are determined after the unit has been 'ON' and stable for approximately 60 minutes at  $25 \pm 2^\circ\text{C}$ . The specified current and power consumption are under the typical supply Input voltage 24V and  $V_{BR}$  ( $ExtV_{BR-B} : 100\%$ ), it is total power consumption.
2. The life time (MTTF) is determined as the time which luminance of the LED is 50% compared to that of initial value at the typical LED current ( $ExtV_{BR-B} : 100\%$ ) on condition of continuous operating in LCM state at  $25 \pm 2^\circ\text{C}$ .
3. The duration of rush current is about 200ms. This duration is applied to LED on time.
4. Even though inrush current is over the specified value, there is no problem if  $I^2T$  spec of fuse is satisfied.

## Product Specification

**3-2. Interface Connections**

This LCD module employs two kinds of interface connection, 51-pin connector is used for the module electronics and 14-pin connector is used for the integral backlight system.

**3-2-1. LCD Module**

- LCD Connector(CN1): FI-R51S-HF(manufactured by JAE) or compatible
- Mating Connector : FI-R51HL(JAE) or compatible

**Table 4. MODULE CONNECTOR(CN1) PIN CONFIGURATION**

No	Symbol	Description	No	Symbol	Description
1	NC	No Connection (notes 4)	27	NC	No connection
2	NC	No Connection (notes 4)	28	R2AN	SECOND LVDS Receiver Signal (A-)
3	NC	No Connection (notes 4)	29	R2AP	SECOND LVDS Receiver Signal (A+)
4	NC	No Connection (notes 4)	30	R2BN	SECOND LVDS Receiver Signal (B-)
5	NC	No Connection (notes 4)	31	R2BP	SECOND LVDS Receiver Signal (B+)
6	NC	No Connection (notes 4)	32	R2CN	SECOND LVDS Receiver Signal (C-)
7	LVDS Select	'H' =JEIDA , 'L' or NC = VESA	33	R2CP	SECOND LVDS Receiver Signal (C+)
8	ExtVBR-B	External PWM (from System)	34	GND	Ground
9	NC	No Connection (notes 4)	35	R2CLKN	SECOND LVDS Receiver Clock Signal(-)
10	OPC Enable	'H' = Enable , 'L' or NC = Disable	36	R2CLKP	SECOND LVDS Receiver Clock Signal(+)
11	GND	Ground	37	GND	Ground
12	R1AN	FIRST LVDS Receiver Signal (A-)	38	R2DN	SECOND LVDS Receiver Signal (D-)
13	R1AP	FIRST LVDS Receiver Signal (A+)	39	R2DP	SECOND LVDS Receiver Signal (D+)
14	R1BN	FIRST LVDS Receiver Signal (B-)	40	NC	No connection
15	R1BP	FIRST LVDS Receiver Signal (B+)	41	NC	No connection
16	R1CN	FIRST LVDS Receiver Signal (C-)	42	NC or GND	No Connection or Ground
17	R1CP	FIRST LVDS Receiver Signal (C+)	43	NC or GND	No Connection or Ground
18	GND	Ground	44	GND	Ground (notes 6)
19	R1CLKN	FIRST LVDS Receiver Clock Signal(-)	45	GND	Ground
20	R1CLKP	FIRST LVDS Receiver Clock Signal(+)	46	GND	Ground
21	GND	Ground	47	NC	No connection
22	R1DN	FIRST LVDS Receiver Signal (D-)	48	VLCD	Power Supply +12.0V
23	R1DP	FIRST LVDS Receiver Signal (D+)	49	VLCD	Power Supply +12.0V
24	NC	No connection	50	VLCD	Power Supply +12.0V
25	NC	No connection	51	VLCD	Power Supply +12.0V
26	NC or GND	No Connection or Ground	-	-	-

## notes

1. All GND(ground) pins should be connected together to the LCD module's metal frame.
2. All VLCD (power input) pins should be connected together.
3. All Input levels of LVDS signals are based on the **EIA 644** Standard.
4. #1~#6 & #9 NC (No Connection): These pins are used only for LGD (Do not connect)
5. Specific pins(pin No. **#10**) are used for OPC function of the LCD module.  
If not used, these pins are no connection. (Please see the **Appendix VI** for more information.)
6. Specific pin No. **#44** is used for "No signal detection" of system signal interface.  
It should be GND for NSB(No Signal Black) during the system interface signal is not.  
If this pin is "H", LCD Module displays AGP(Auto Generation Pattern).



Product Specification

**3-2-2. Backlight Module**

Master

-LED Driver Connector

: 2002WR - H14B2(Yeonho) or Compatible

- Mating Connector

: 2002HS - 14B2 or Compatible

**Table 5-1. LED DRIVER CONNECTOR PIN CONFIGURATION**

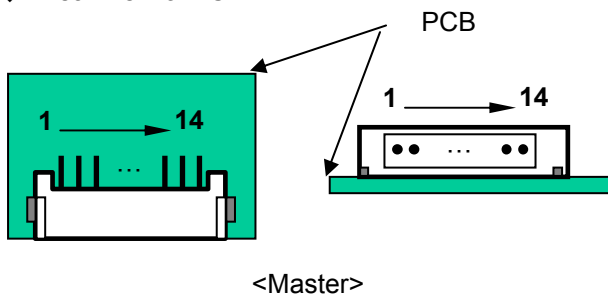
Pin No	Symbol	Description	Note
1	VBL	Power Supply +24.0V	
2	VBL	Power Supply +24.0V	
3	VBL	Power Supply +24.0V	
4	VBL	Power Supply +24.0V	
5	VBL	Power Supply +24.0V	
6	GND	Backlight Ground	1
7	GND	Backlight Ground	
8	GND	Backlight Ground	
9	GND	Backlight Ground	
10	GND	Backlight Ground	
11	Status	Back Light Status	2
12	VON/OFF	Backlight ON/OFF control	3
13	NC	Don't care	
14	NC	Don't care	

Notes :1. GND should be connected to the LCD module's metal frame.

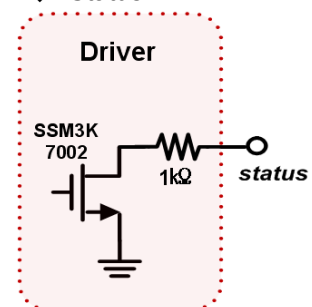
2. Normal : Low (under 0.7V) / Abnormal : Open

3. Each impedance of pin #12 is over 50 [KΩ] .

◆ Rear view of LCM



◆ Status



## Product Specification

**3-3. Signal Timing Specifications**

Table 6 shows the signal timing required at the input of the LVDS transmitter. All of the interface signal timings should be satisfied with the following specification for normal operation.

**Table 6. TIMING TABLE (DE Only Mode)**

ITEM		Symbol	Min	Typ	Max	Unit	notes
Horizontal	Display Period	tHV	960	960	960	tCLK	1920 / 2
	Blank	tHB	100	140	240	tCLK	1
	Total	tHP	1060	1100	1200	tCLK	
Vertical	Display Period	tVv	1080	1080	1080	Lines	
	Blank	tVB	20 (228)	45 (270)	69 (300)	Lines	1
	Total	tVP	1100 (1308)	1125 (1350)	1149 (1380)	Lines	

ITEM		Symbol	Min	Typ	Max	Unit	notes
Frequency	DCLK	fCLK	63.00	74.25	78.00	MHz	
	Horizontal	fH	57.3	67.5	70	KHz	2
	Vertical	fV	57 (47)	60 (50)	63 (53)	Hz	2 NTSC (PAL)

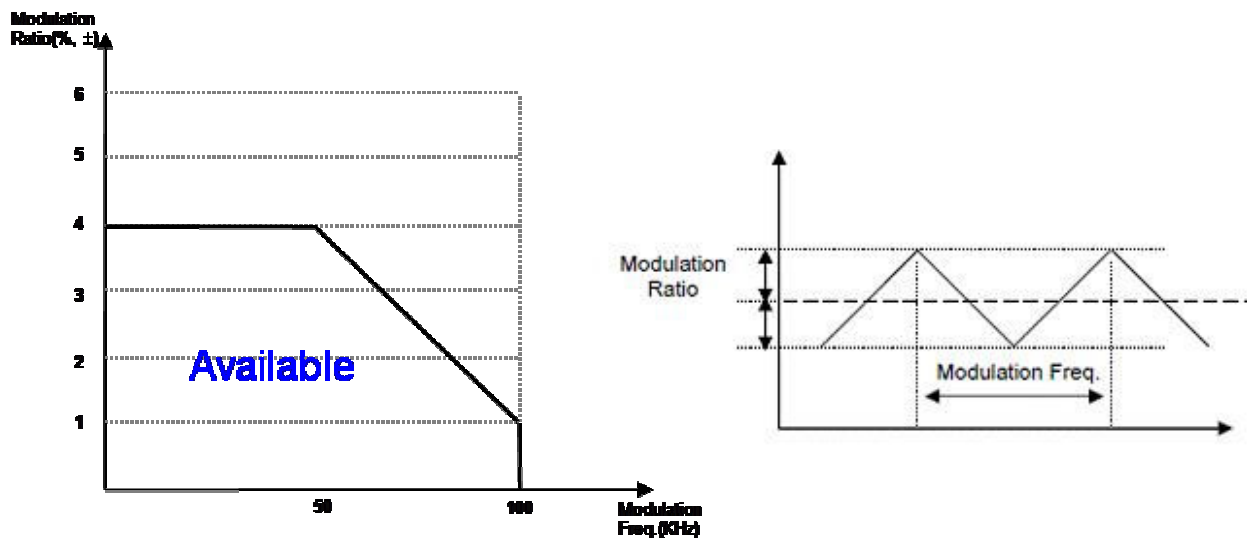
notes: 1. The input of HSYNC & VSYNC signal does not have an effect on normal operation (DE Only Mode).  
If you use spread spectrum of EMI, add some additional clock to minimum value for clock margin.

2. The performance of the electro-optical characteristics may be influenced by variance of the vertical refresh rate and the horizontal frequency

3. Spread Spectrum Rate (SSR) for 50KHz ~ 100kHz Modulation Frequency(FMOD) is calculated by  $(7 - 0.06 \cdot F_{mod})$ , where Modulation Frequency (FMOD) unit is KHz.  
LVDS Receiver Spread spectrum Clock is defined as below figure

※ Timing should be set based on clock frequency.

## Product Specification



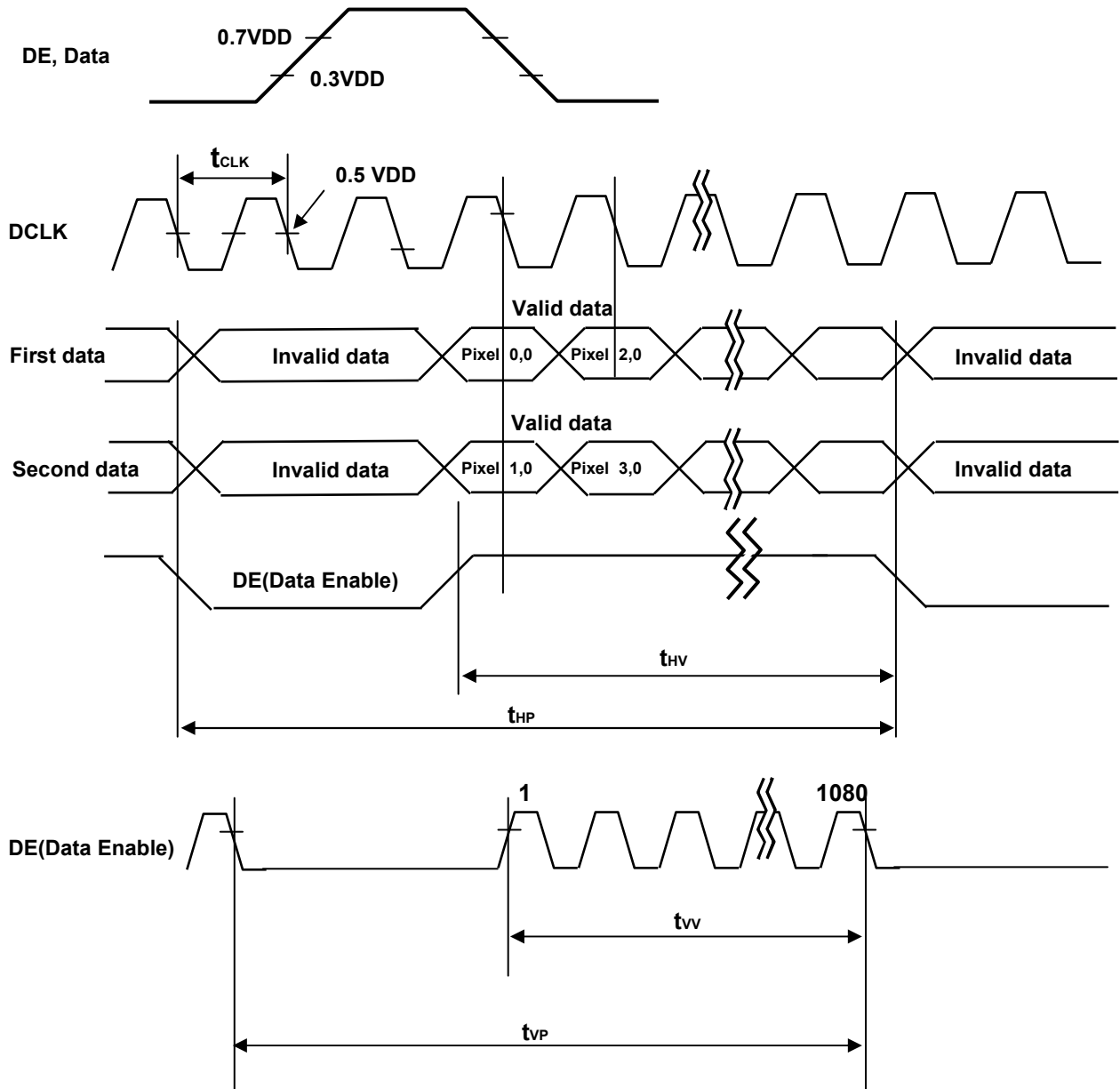
※ Please pay attention to the followings when you set Spread Spectrum Rate(SSR) and Modulation Frequency(FMOD)

1. Please set proper Spread Spectrum Rate(SSR) and Modulation Frequency (FMOD) of TV system LVDS output.
2. Please check FOS after you set Spread Spectrum Rate(SSR) and Modulation Frequency(FMOD) to avoid abnormal display. Especially, harmonic noise can appear when you use Spread Spectrum under FMOD 30 KHz.

Product Specification

3-4. LVDS Signal Specification

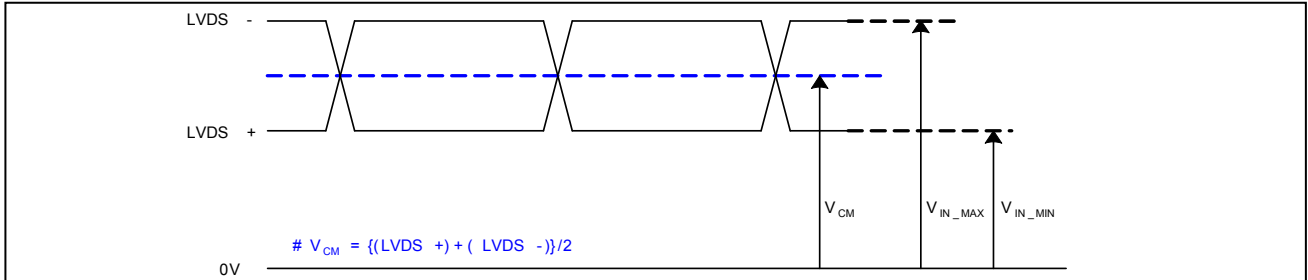
3-4-1. LVDS Input Signal Timing Diagram



Product Specification

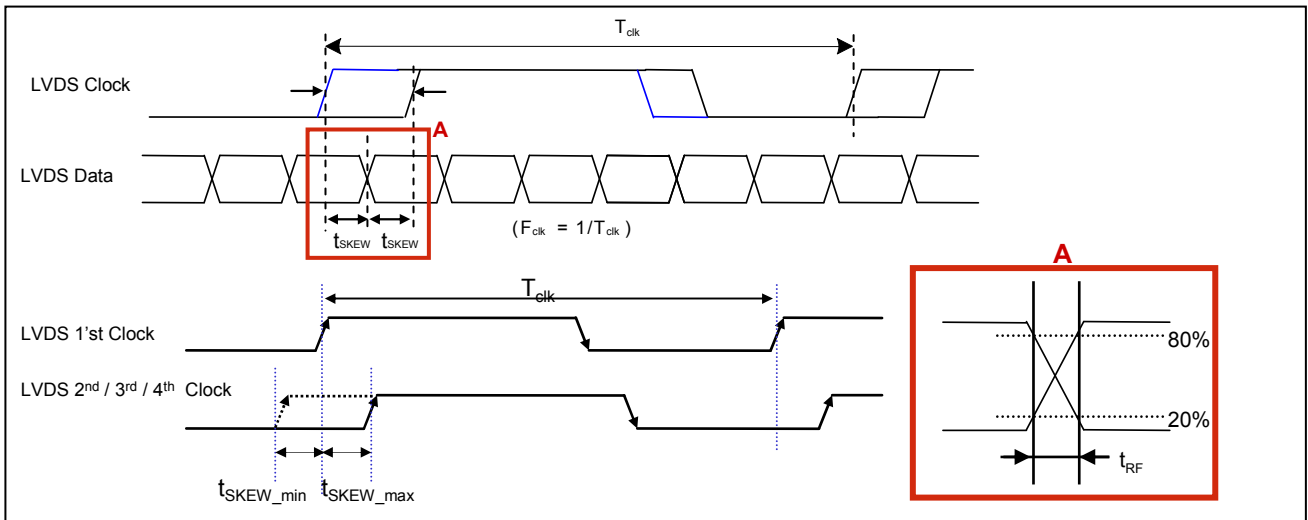
**3-4-2. LVDS Input Signal Characteristics**

**1) DC Specification**



Description	Symbol	Min	Max	Unit	notes
LVDS Common mode Voltage	$V_{CM}$	1.0	1.5	V	-
LVDS Input Voltage Range	$V_{IN}$	0.7	1.8	V	-
Change in common mode Voltage	$\Delta V_{CM}$	-	250	mV	-

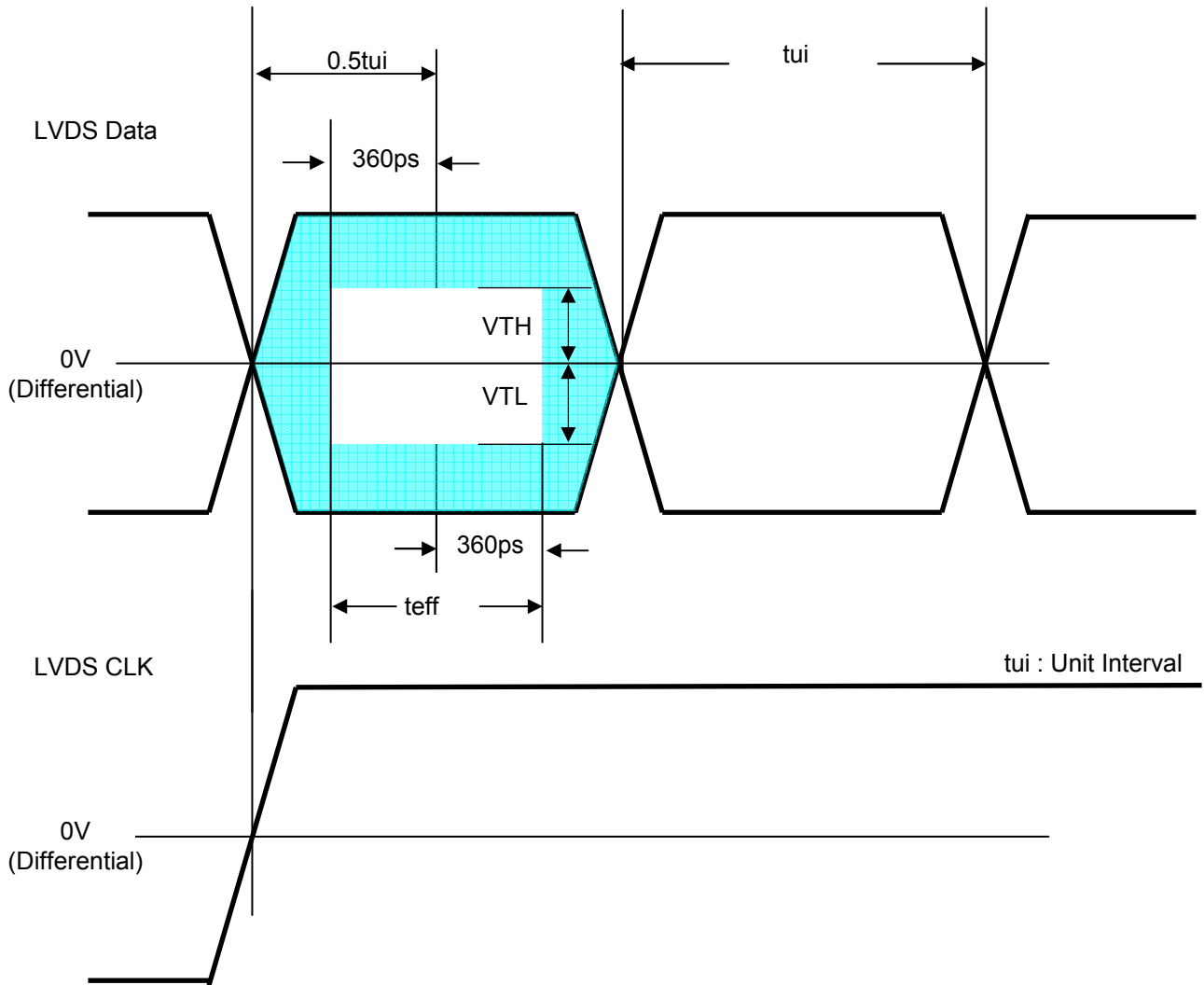
**2) AC Specification**



Description	Symbol	Min	Max	Unit	notes
LVDS Differential Voltage	$V_{TH}$	100	600	mV	Tested with Differential Probe 3
	$V_{TL}$	-600	-100	mV	
LVDS Clock to Data Skew	$t_{SKEW}$	-	$ (0.25 \cdot T_{clk})/7 $	ps	-
LVDS Clock/DATA Rising/Falling time	$t_{RF}$	260	$ (0.3 \cdot T_{clk})/7 $	ps	2
Effective time of LVDS	$t_{eff}$	$ \pm 360 $	-	ps	-
LVDS Clock to Clock Skew (Even to Odd)	$t_{SKEW\_EO}$	-	$ 1/7 \cdot T_{clk} $	ps	-

- notes
1. All Input levels of LVDS signals are based on the EIA 644 Standard.
  2. If  $t_{RF}$  isn't enough,  $t_{eff}$  should meet the range.
  3. LVDS Differential Voltage is defined within  $t_{eff}$

Product Specification



\* This accumulated waveform is tested with differential probe

## Product Specification

## 3-5. Color Data Reference

The brightness of each primary color(red,green,blue) is based on the 8bit gray scale data input for the color. The higher binary input, the brighter the color. Table 7 provides a reference for color versus data input.

Table 7. COLOR DATA REFERENCE

Color		Input Color Data																							
		RED								GREEN								BLUE							
		MSB							LSB	MSB							LSB	MSB							LSB
		R7	R6	R5	R4	R3	R2	R1	R0	G7	G6	G5	G4	G3	G2	G1	G0	B7	B6	B5	B4	B3	B2	B1	B0
Basic Color	Black	0	0	0	0	0	0	0	0	0	0	0	0	0	0	0	0	0	0	0	0	0	0	0	0
	Red (255)	1	1	1	1	1	1	1	1	0	0	0	0	0	0	0	0	0	0	0	0	0	0	0	0
	Green (255)	0	0	0	0	0	0	0	0	1	1	1	1	1	1	1	1	0	0	0	0	0	0	0	0
	Blue (255)	0	0	0	0	0	0	0	0	0	0	0	0	0	0	0	0	1	1	1	1	1	1	1	1
	Cyan	0	0	0	0	0	0	0	0	1	1	1	1	1	1	1	1	1	1	1	1	1	1	1	1
	Magenta	1	1	1	1	1	1	1	1	0	0	0	0	0	0	0	0	1	1	1	1	1	1	1	1
	Yellow	1	1	1	1	1	1	1	1	1	1	1	1	1	1	1	1	0	0	0	0	0	0	0	0
	White	1	1	1	1	1	1	1	1	1	1	1	1	1	1	1	1	1	1	1	1	1	1	1	1
RED	RED (000)	0	0	0	0	0	0	0	0	0	0	0	0	0	0	0	0	0	0	0	0	0	0	0	0
	RED (001)	0	0	0	0	0	0	0	1	0	0	0	0	0	0	0	0	0	0	0	0	0	0	0	0
	...	...								...								...							
	RED (254)	1	1	1	1	1	1	1	0	0	0	0	0	0	0	0	0	0	0	0	0	0	0	0	0
	RED (255)	1	1	1	1	1	1	1	1	0	0	0	0	0	0	0	0	0	0	0	0	0	0	0	0
GREEN	GREEN (000)	0	0	0	0	0	0	0	0	0	0	0	0	0	0	0	0	0	0	0	0	0	0	0	0
	GREEN (001)	0	0	0	0	0	0	0	0	0	0	0	0	0	0	0	1	0	0	0	0	0	0	0	0
	...	...								...								...							
	GREEN (254)	0	0	0	0	0	0	0	0	1	1	1	1	1	1	1	0	0	0	0	0	0	0	0	0
	GREEN (255)	0	0	0	0	0	0	0	0	1	1	1	1	1	1	1	1	0	0	0	0	0	0	0	0
BLUE	BLUE (000)	0	0	0	0	0	0	0	0	0	0	0	0	0	0	0	0	0	0	0	0	0	0	0	0
	BLUE (001)	0	0	0	0	0	0	0	0	0	0	0	0	0	0	0	0	0	0	0	0	0	0	0	1
	...	...								...								...							
	BLUE (254)	0	0	0	0	0	0	0	0	0	0	0	0	0	0	0	0	1	1	1	1	1	1	1	0
	BLUE (255)	0	0	0	0	0	0	0	0	0	0	0	0	0	0	0	0	1	1	1	1	1	1	1	1

## Product Specification

## 3-6. Power Sequence

## 3-6-1. LCD Driving circuit

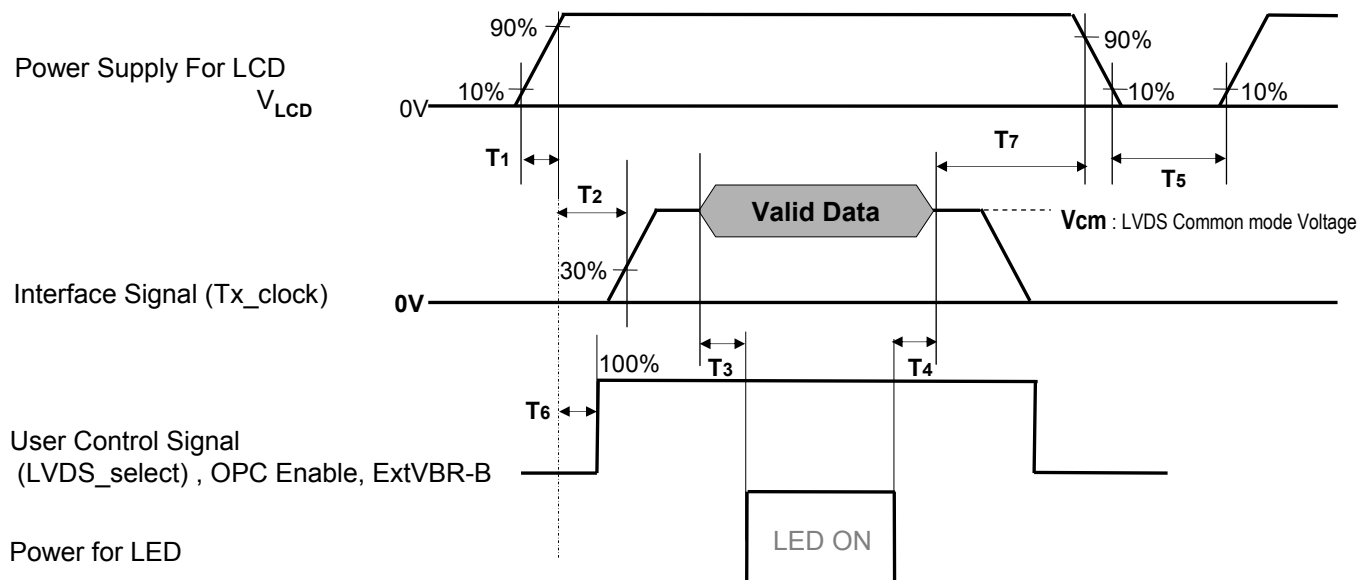


Table 8. POWER SEQUENCE

Parameter	Value			Unit	Notes
	Min	Typ	Max		
T1	0.5	-	20	ms	1
T2	0	-	-	ms	2
T3	400	-	-	ms	3
T4	200	-	-	ms	3
T5	1.0	-	-	s	4
T6	0	-	T2	ms	5
T7	0	-	-	ms	6

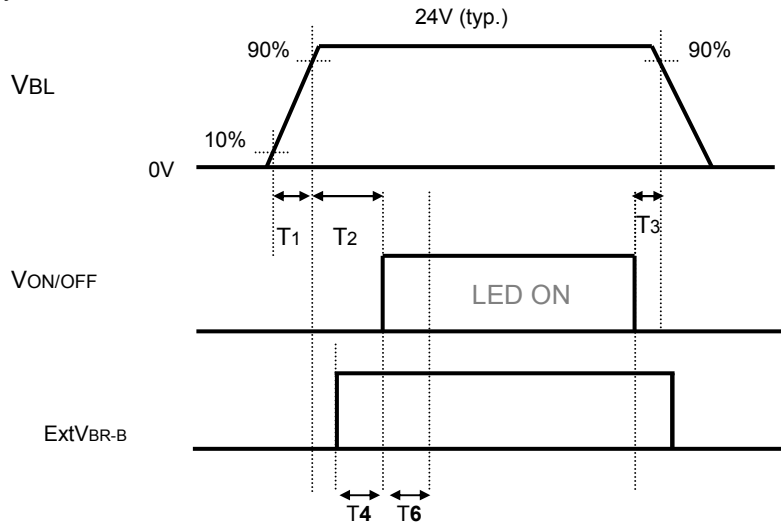
- Note :
1. Even though T1 is over the specified value, there is no problem if I2T spec of fuse is satisfied.
  2. If T2 is satisfied with specification after removing LVDS Cable, there is no problem.
  3. The T3 / T4 is recommended value, the case when failed to meet a minimum specification, abnormal display would be shown. There is no reliability problem.
  4. T5 should be measured after the Module has been fully discharged between power off and on period.
  5. If the on time of signals (Interface signal and user control signals) precedes the on time of Power ( $V_{LCD}$ ), it will be happened abnormal display. When T6 is NC status, T6 doesn't need to be measured.
  6. It is recommendation specification that T7 has to be 0ms as a minimum value.
    - ※ Please avoid floating state of interface signal at invalid period.
    - ※ When the power supply for LCD ( $V_{LCD}$ ) is off, be sure to pull down the valid and invalid data to 0V.



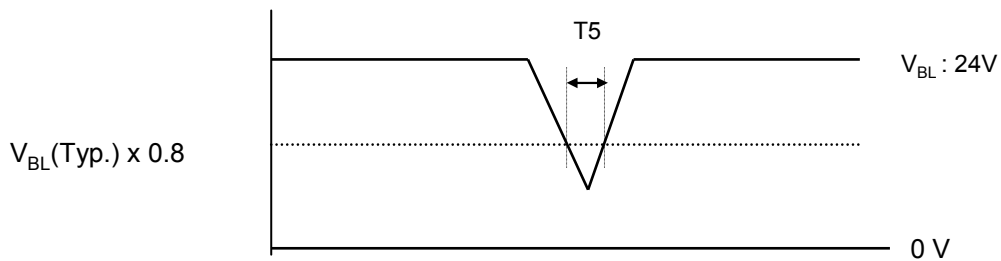
Product Specification

**3-6-2. Sequence for LED Driver**

Power Supply For LED Driver



**3-6-3. Dip condition for LED Driver**



**Table 9. Power Sequence for LED Driver**

Parameter	Values			Units	Remarks
	Min	Typ	Max		
T1	20	-	-	ms	1
T2	500	-	-	ms	
T3	10	-	-	ms	
T4	0	-	-	ms	
T5	-	-	10	ms	$V_{BL}(Typ) \times 0.8$
T6	500	-	-	ms	2

Notes : 1. T1 describes rising time of 0V to 24V and this parameter does not applied at restarting time.  
 Even though T1 is over the specified value, there is no problem if I<sup>2</sup>T spec of fuse is satisfied.  
 2. In T6 section, ExtVBR-B should be sustained from 5% to 100% .

## Product Specification

## 4. Optical Specification

Optical characteristics are determined after the unit has been 'ON' and stable in a dark environment at  $25\pm 2^{\circ}\text{C}$ . The values are specified at 50cm from the LCD surface at a viewing angle of  $\Phi$  and  $\theta$  equal to  $0^{\circ}$ . FIG. 1 shows additional information concerning the measurement equipment and method.

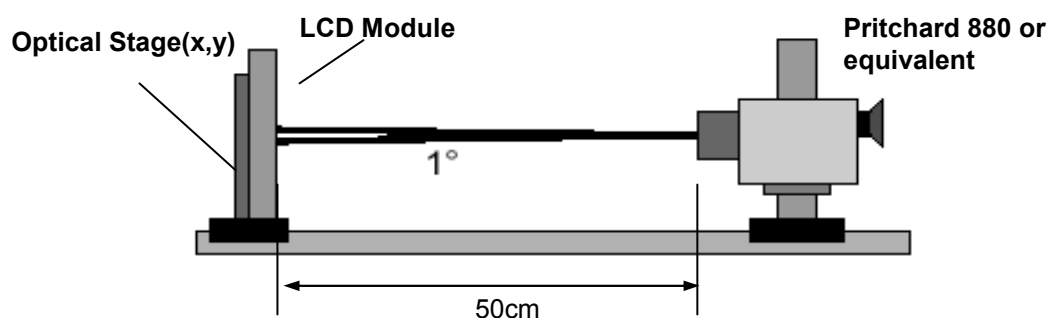


FIG. 1 Optical Characteristic Measurement Equipment and Method

Table 10. OPTICAL CHARACTERISTICS

$T_a = 25\pm 2^{\circ}\text{C}$ ,  $V_{\text{LCD}} = 12.0\text{V}$ ,  $f_v = 60\text{Hz}$ ,  $D_{\text{clk}} = 74.25\text{MHz}$ ,  
EXTV<sub>BR-B</sub> = 100%

Parameter	Symbol	Value			Unit	notes	
		Min	Typ	Max			
Contrast Ratio	CR	1000	1400	-		1	
Surface Luminance, white	$L_{\text{WH}}$	240	300		cd/m <sup>2</sup>	2	
Luminance Variation	$\delta_{\text{WHITE}}$ 5P			1.3		3	
Response Time	Variation	G to G <sub>σ</sub>	6	9		5	
	Gray to Gray (BW)	G to G <sub>BW</sub>	8	12	ms	4	
Color Coordinates [CIE1931]	RED	R <sub>x</sub>	Typ -0.07	0.642	Typ +0.07		
		R <sub>y</sub>		0.338			
	GREEN	G <sub>x</sub>		0.306			
		G <sub>y</sub>		0.597			
	BLUE	B <sub>x</sub>		0.155			
		B <sub>y</sub>		0.058			
WHITE	W <sub>x</sub>	0.281					
	W <sub>y</sub>	0.288					
Color Temperature			10,000		K		
Color Gamut			68		%		
Viewing Angle(CR>10)	right( $\phi=0^{\circ}$ )	$\theta_r$ (x axis)	89	-	-	degree	6
	left ( $\phi=180^{\circ}$ )	$\theta_l$ (x axis)	89	-	-		
	up ( $\phi=90^{\circ}$ )	$\theta_u$ (y axis)	89	-	-		
	down ( $\phi=270^{\circ}$ )	$\theta_d$ (y axis)	89	-	-		
Gray Scale			-	-	-		7

## Product Specification

notes :1. Contrast Ratio(CR) is defined mathematically as :

$$CR(\text{Contrast Ratio}) = \frac{\text{Maximum CRn (n=1, 2, 3, 4, 5)}}{\text{Surface Luminance at position n with all white pixels}}$$

$$CRn = \frac{\text{Surface Luminance at position n with all white pixels}}{\text{Surface Luminance at position n with all black pixels}}$$

n = the Position number(1, 2, 3, 4, 5). For more information, see FIG 5.

2. Surface luminance are determined after the unit has been 'ON' and 1 Hour after lighting the backlight in a dark environment at  $25 \pm 2^\circ\text{C}$ . Surface luminance is the luminance value at center 1-point across the LCD surface 50cm from the surface with all pixels displaying white. For more information see the FIG. 2.

3. The variation in surface luminance,  $\delta$  WHITE is defined as :

$$\delta \text{ WHITE}(5P) = \frac{\text{Maximum(Lon1, Lon2, Lon3, Lon4, Lon5)}}{\text{Minimum(Lon1, Lon2, Lon3, Lon4, Lon5)}}$$

Where Lon1 to Lon5 are the luminance with all pixels displaying white at 5 locations .

For more information, see the FIG. 2.

4. Response time is the time required for the display to transit from any gray to white (Rise Time,  $Tr_R$ ) and from any gray to black (Decay time,  $Tr_D$ ). For additional information see the FIG. 3.

※ G to  $G_{BW}$  Spec stands for average value of all measured points.

Photo Detector : RD-80S / Field :  $2^\circ$

5. G to  $G_\sigma$  is Variation of Gray to Gray response time composing a picture

$$G \text{ to } G(\sigma) = \sqrt{\frac{\sum(X_i - u)^2}{N}}$$

$X_i$  = Individual Data  
 $u$  = Data average  
 $N$  : The number of Data

6. Viewing angle is the angle at which the contrast ratio is greater than 10. The angles are determined for the horizontal or x axis and the vertical or y axis with respect to the z axis which is normal to the LCD module surface. For more information, see the FIG. 4.

7. Gray scale specification

Gamma Value is approximately 2.2. For more information, see the Table 11.

**Table 11. GRAY SCALE SPECIFICATION**

Gray Level	Luminance [%] (Typ)
L0	0.07
L15	0.27
L31	1.04
L47	2.49
L63	4.68
L79	7.66
L95	11.5
L111	16.1
L127	21.6
L143	28.1
L159	35.4
L175	43.7
L191	53.0
L207	63.2
L223	74.5
L239	86.7
L255	100

Product Specification

Measuring point for surface luminance & measuring point for luminance variation.

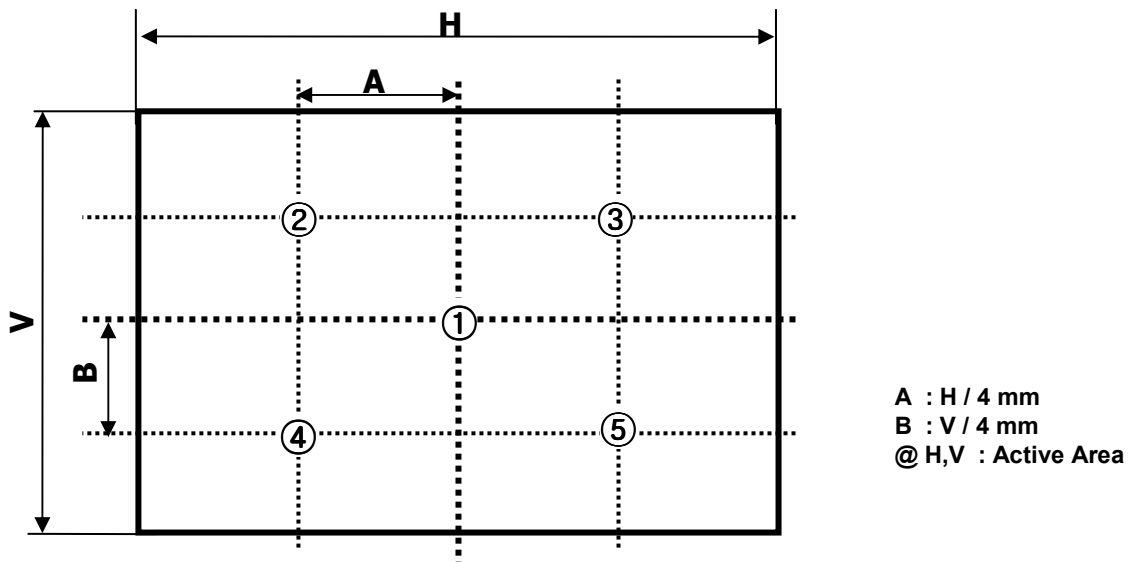


FIG. 2 5 Points for Luminance Measure

Response time is defined as the following figure and shall be measured by switching the input signal for "Gray(N)" and "Black or White".

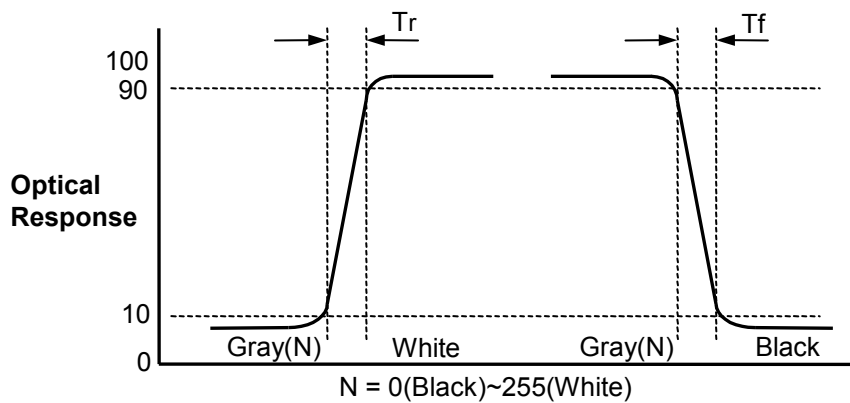


FIG. 3 Response Time

Product Specification

Dimension of viewing angle range

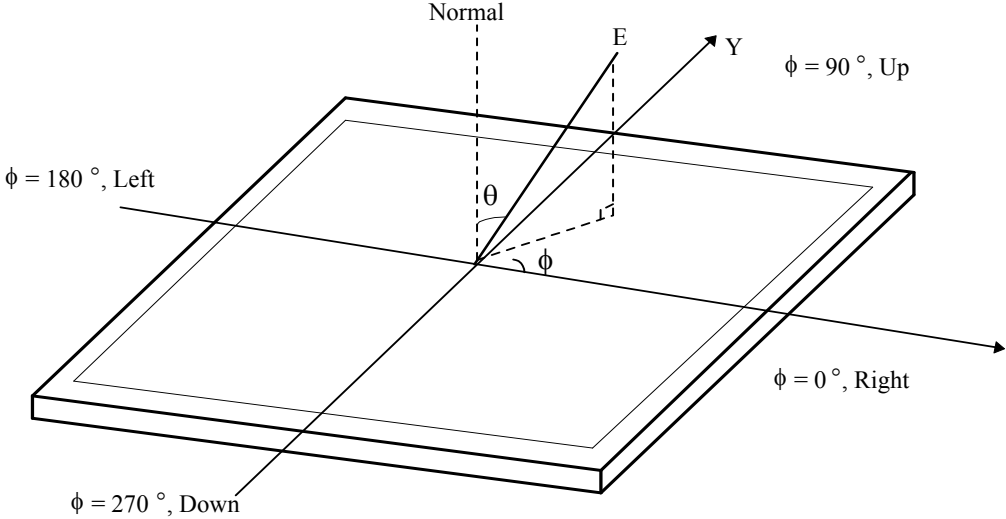


FIG. 4 Viewing Angle

Measuring point for Contrast Ratio

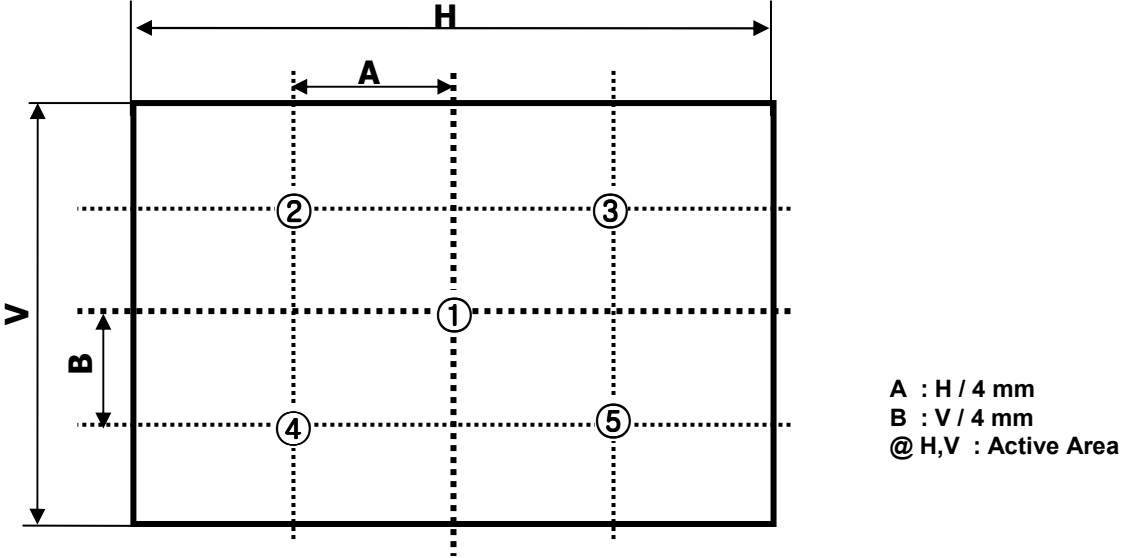


FIG. 5 5 Points for Contrast Ratio Measure

## Product Specification

**5. Mechanical Characteristics**

Table 12 provides general mechanical characteristics.

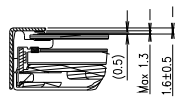
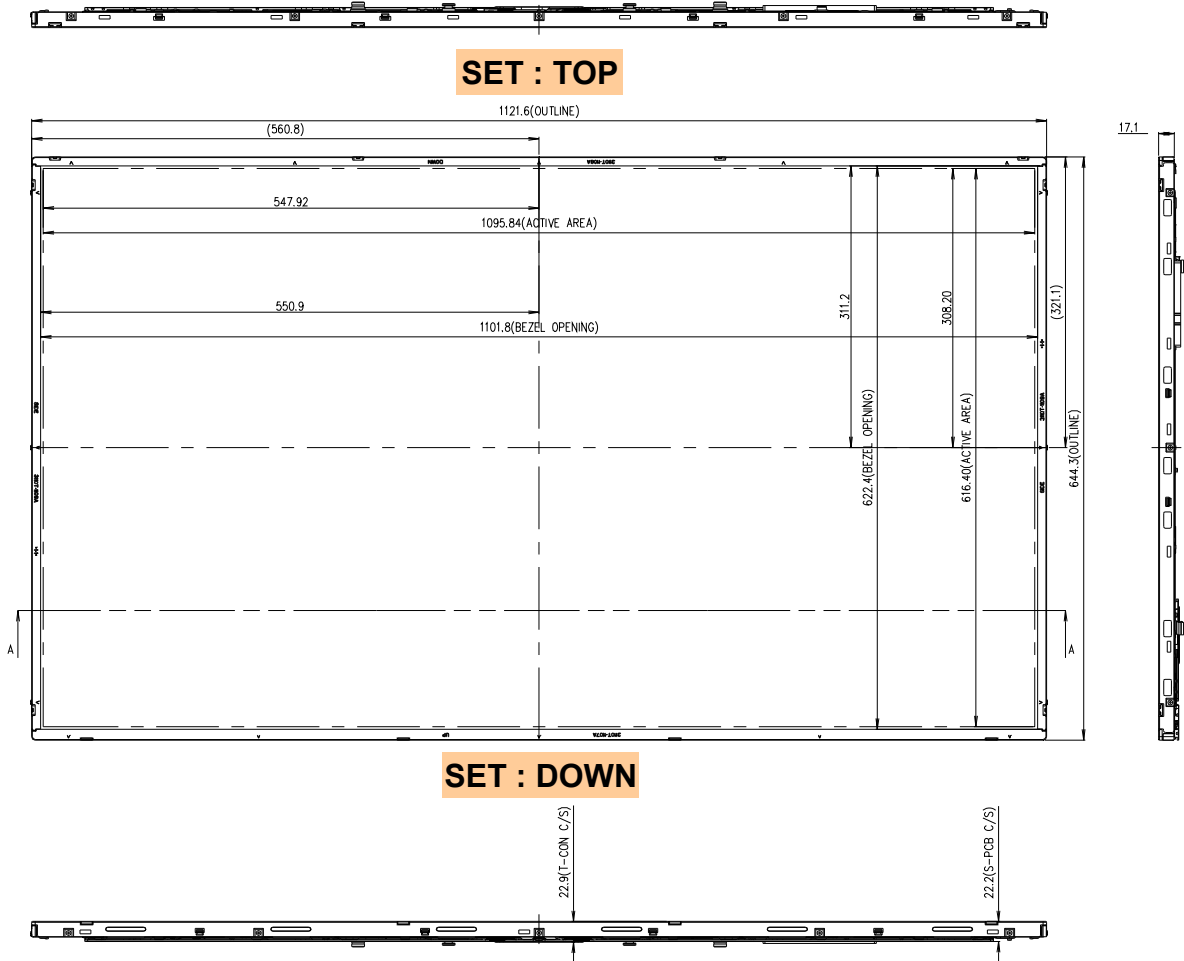
**Table 12. MECHANICAL CHARACTERISTICS**

Item	Value	
Outline Dimension	Horizontal	1121.6 mm
	Vertical	644.3 mm
	Depth	10.8mm(B)/22.9mm(T-CON C/S)
Bezel Area	Horizontal	1101.8 mm
	Vertical	622.4 mm
Active Display Area	Horizontal	1095.84 mm
	Vertical	616.4 mm
Weight	12.8Kg (Typ.), 13.5kg (Max.)	

notes : Please refer to a mechanical drawing in terms of tolerance at the next page.

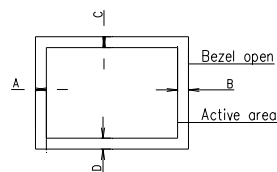
Product Specification

[ FRONT VIEW ]



SECTION A-A  
SCALE 1/1

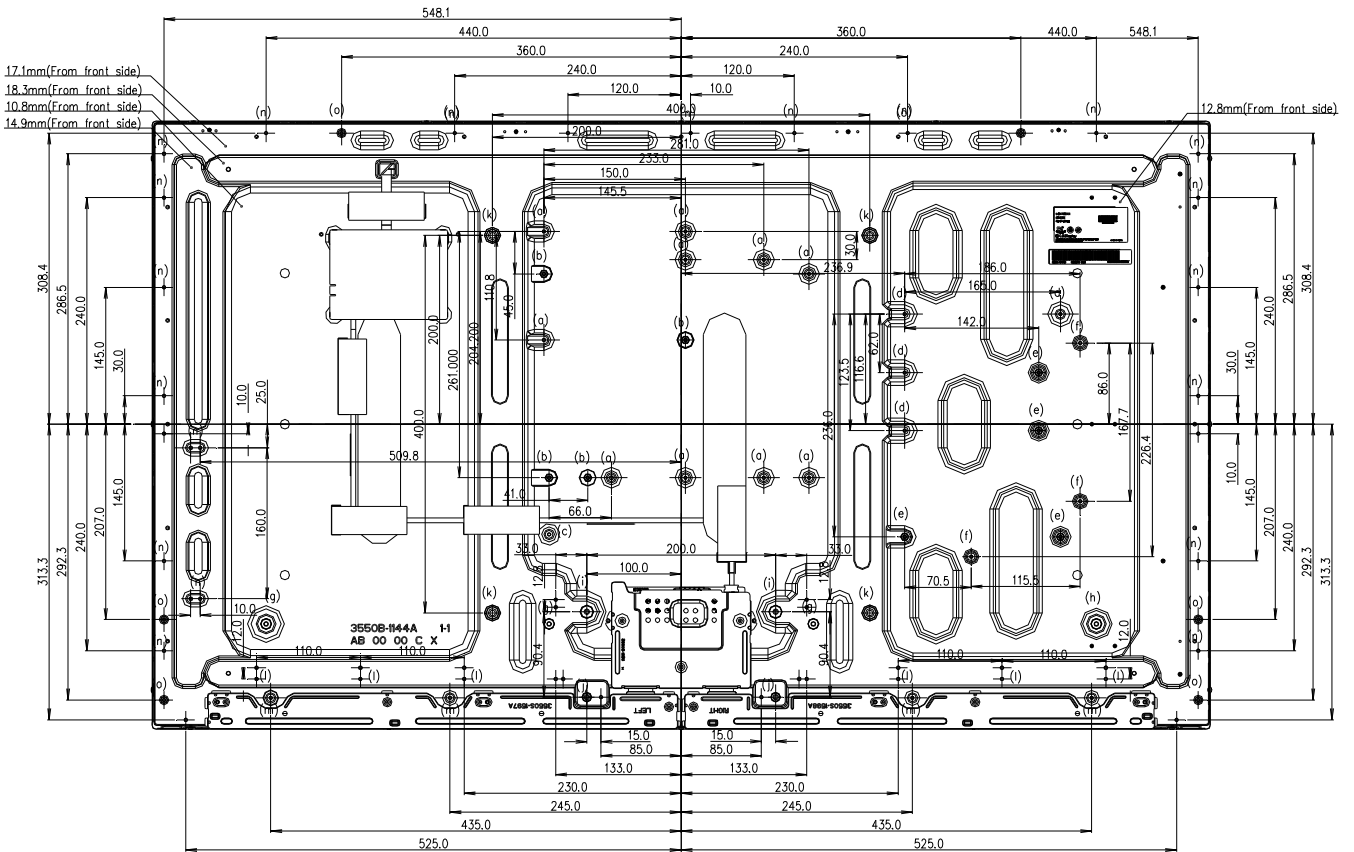
- NOTES
1. UNSPECIFIED TOLERANCE IS  $\pm 1.0\text{mm}$
  2. TILT AND PARTIAL DISPOSITION TOLERANCE OF DISPLAY AREA AS FOLLOWING.  
(a) X-DIRECTION : IA-BI  $\leq 1.6\text{mm}$ .  
(b) Y-DIRECTION : IC-DI  $\leq 1.6\text{mm}$ .
  3. Max. TORQUE : REFER TO TABLE.
  4. Max. DEPTH : REFER TO TABLE.
  5. THE SAME FEATURE MEANS THE SAME DIMENSION.
  6. SCREW HEAD Mx. PROTRUSION:  $\ll 1.0\text{mm}$
  7. SCREW Max PROTRUSION :  $\ll 2.5\text{MM}$



Product Specification

[ REAR VIEW ]

SET : TOP



SET : DOWN

ITEM	TAP	Height (mm)	Max Depth (mm)	Torque (kgf.cm)	Notes
(a)	M3	4.0	3.5	Max 8.0	-
(b)	M3	4.0	3.5	Max 8.0	-
(c)	M3	4.4	3.9	Max 8.0	-
(d)	M3	6.4	5.9	Max 8.0	-
(e)	M3	6.4	5.9	Max 8.0	-
(f)	M3	2.4	1.9	Max 8.0	-
(g)	M4	10.5	6.0	Max 8.0	-
(h)	M4	8.5	6.0	Max 8.0	-
(i)	M4	15.5	8.0	Max 10.0	-
(j)	M4	11.4	6.0	Max 10.0	-
(k)	M6	9.7	12.0	Max 15.0	-
(l)	M3	-	5.0	Max 8.0	-
(m)	M3	3.0	6.3	Max 8.0	-
(n)	M3	-	4.5	Max 8.0	-
(o)	M3	1.4	5.9	Max 8.0	-



## Product Specification

**6. Reliability****Table 13. ENVIRONMENT TEST CONDITION**

No.	Test Item	Condition
1	High temperature storage test	Ta= 60°C 240h
2	Low temperature storage test	Ta= -20°C 240h
3	High temperature operation test	Ta= 50°C 50%RH 240h
4	Low temperature operation test	Ta= 0°C 240h
5	Vibration test (non-operating)	Wave form : random Vibration level : 1.0Grms Bandwidth : 10-300Hz Duration : X,Y,Z, Each direction per 10 min
6	Shock test (non-operating)	Shock level : 30Grms ( $\pm X$ , $\pm Y$ ) 20Grms ( $\pm Z$ ) Waveform : half sine wave, 11ms Direction : $\pm X$ , $\pm Y$ , $\pm Z$ One time each direction
7	Humidity condition Operation	Ta= 40 °C ,90%RH
8	Altitude operating storage / shipment	0 - 16,400 ft 0 - 40,000 ft

notes : Before and after Reliability test, LCM should be operated with normal function.

## 7. International Standards

### 7-1. Safety

- a) UL 60065, Underwriters Laboratories Inc.  
Audio, Video and Similar Electronic Apparatus - Safety Requirements.
- b) CAN/CSA C22.2 No.60065:03, Canadian Standards Association.  
Audio, Video and Similar Electronic Apparatus - Safety Requirements.
- c) EN 60065, European Committee for Electrotechnical Standardization (CENELEC).  
Audio, Video and Similar Electronic Apparatus - Safety Requirements.
- d) IEC 60065, The International Electrotechnical Commission (IEC).  
Audio, Video and Similar Electronic Apparatus - Safety Requirements.

### 7-2. Environment

- a) RoHS, Directive 2011/65/EU of the European Parliament and of the council of 8 June 2011

## Product Specification

**8. Packing****8-1. Information of LCM Label**

a) Lot Mark

A	B	C	D	E	F	G	H	I	J	K	L	M
---	---	---	---	---	---	---	---	---	---	---	---	---

A,B,C : SIZE(INCH)  
E : MONTH

D : YEAR  
F ~ M : SERIAL NO.

notes

## 1. YEAR

Year	2011	2012	2013	2014	2015	2016	2017	2018	2019	2020
Mark	A	B	C	D	E	F	G	H	J	K

## 2. MONTH

Month	Jan	Feb	Mar	Apr	May	Jun	Jul	Aug	Sep	Oct	Nov	Dec
Mark	1	2	3	4	5	6	7	8	9	A	B	C

b) Location of Lot Mark

Serial NO. is printed on the label. The label is attached to the backside of the LCD module.  
This is subject to change without prior notice.

**8-2. Packing Form**

a) Package quantity in one Pallet : 18 pcs

b) Pallet Size : 1440 mm(W) X 1140 mm(D) X 905 mm(H)

## 9. Precautions

Please pay attention to the followings when you use this TFT LCD module.

### 9-1. Mounting Precautions

- (1) You must mount a module using specified mounting holes (Details refer to the drawings).
- (2) You should consider the mounting structure so that uneven force (ex. Twisted stress) is not applied to the module. And the case on which a module is mounted should have sufficient strength so that external force is not transmitted directly to the module.
- (3) Please attach the surface transparent protective plate to the surface in order to protect the polarizer. Transparent protective plate should have sufficient strength in order to resist external force.
- (4) You should adopt radiation structure to satisfy the temperature specification.
- (5) Acetic acid type and chlorine type materials for the cover case are not desirable because the former generates corrosive gas of attacking the polarizer at high temperature and the latter causes circuit break by electro-chemical reaction.
- (6) Do not touch, push or rub the exposed polarizers with glass, tweezers or anything harder than HB pencil lead. And please do not rub with dust clothes with chemical treatment. Do not touch the surface of polarizer for bare hand or greasy cloth.(Some cosmetics are detrimental to the polarizer.)
- (7) When the surface becomes dusty, please wipe gently with absorbent cotton or other soft materials like chamois soaks with petroleum benzine. Normal-hexane is recommended for cleaning the adhesives used to attach front / rear polarizers. Do not use acetone, toluene and alcohol because they cause chemical damage to the polarizer
- (8) Wipe off saliva or water drops as soon as possible. Their long time contact with polarizer causes deformations and color fading.
- (9) Do not open the case because inside circuits do not have sufficient strength.

### 9-2. Operating Precautions

- (1) Response time depends on the temperature.(In lower temperature, it becomes longer.)
- (2) Brightness depends on the temperature. (In lower temperature, it becomes lower.)  
And in lower temperature, response time(required time that brightness is stable after turned on) becomes longer
- (3) Be careful for condensation at sudden temperature change.Condensation makes damage to polarizer or electrical contacted parts. And after fading condensation, smear or spot will occur.
- (4) When fixed patterns are displayed for a long time, remnant image is likely to occur.
- (5) Module has high frequency circuits. Sufficient suppression to the electromagnetic interference shall be done by system manufacturers. Grounding and shielding methods may be important to minimized the interference.
- (6) Please do not give any mechanical and/or acoustical impact to LCM. Otherwise, LCM can't be operated its full characteristics perfectly.
- (7) A screw which is fastened up the steels should be a machine screw.  
(if not, it can causes conductive particles and deal LCM a fatal blow)
- (8) Please do not set LCD on its edge.
- (9) The conductive material and signal cables are kept away from LED driver inductor to prevent abnormal display, sound noise and temperature rising.

### 9-3. Electrostatic Discharge Control

Since a module is composed of electronic circuits, it is not strong to electrostatic discharge. Make certain that treatment persons are connected to ground through wrist band etc. And don't touch interface pin directly.

### 9-4. Precautions for Strong Light Exposure

Strong light exposure causes degradation of polarizer and color filter.

### 9-5. Storage

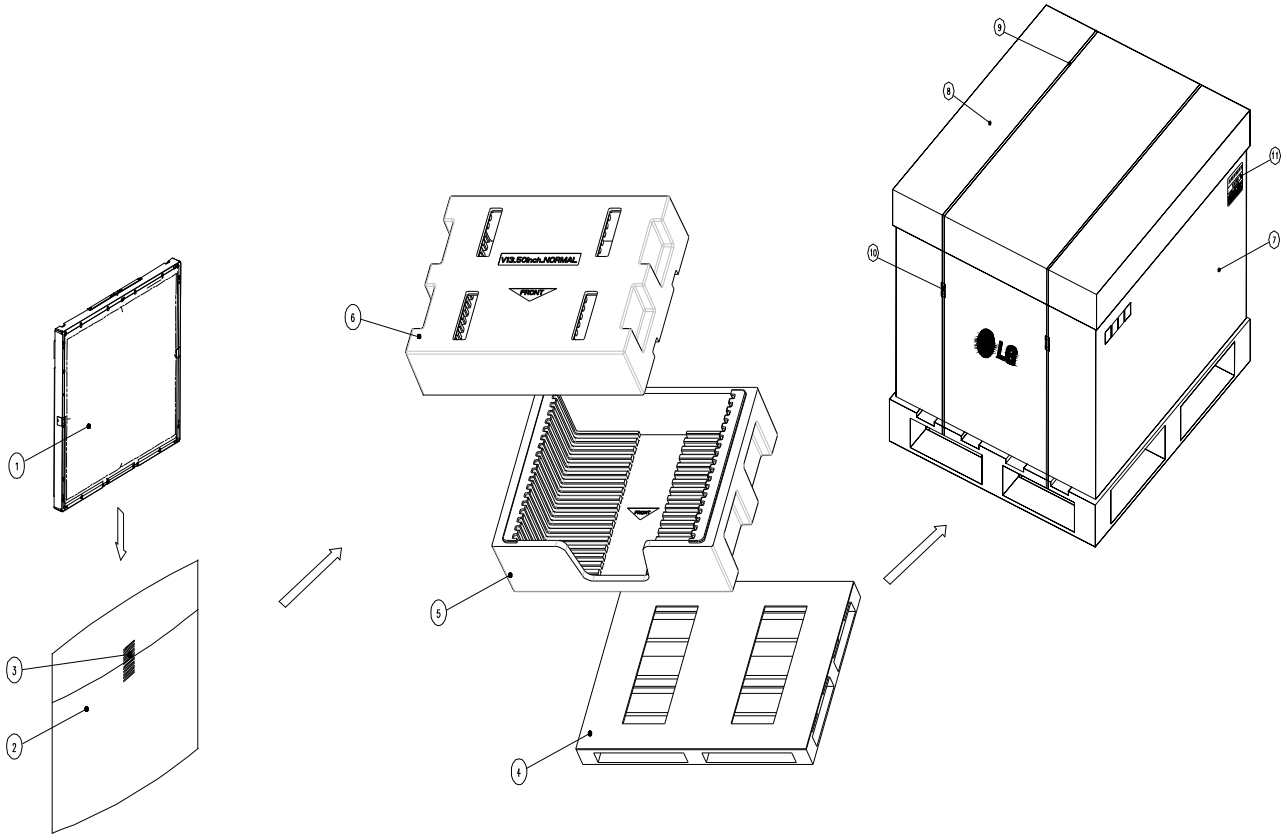
When storing modules as spares for a long time, the following precautions are necessary.

- (1) Store them in a dark place. Do not expose the module to sunlight or fluorescent light. Keep the temperature between 5°C and 35°C at normal humidity.
- (2) The polarizer surface should not come in contact with any other object.  
It is recommended that they be stored in the container in which they were shipped.
- (3) Storage condition is guaranteed under packing conditions.
- (4) The phase transition of Liquid Crystal in the condition of the low or high storage temperature will be recovered when the LCD module returns to the normal condition.

## Product Specification

## # APPENDIX-I

## ■ Pallet Ass'y



NO	DESCRIPTION	MATERIAL
1	LCD Module	50" LCD
2	BAG	AL+PE
3	TAPE	MASKING 20MM X 50M
4	PALLET	Plywood (1440X1140X126.5)
5	PACKING_BOTTOM	EPS
6	PACKING_TOP	EPS
7	ANGLE PACKING	PAPER
8	ANGLE COVER	PAPER
9	BAND	PP
10	BAND,CLIP	STEEL
11	LABEL	YUPO PAPER 80G 100X100

Product Specification

# APPENDIX- II-1

■ LCM Label



■ Production site

- LG Display (Paju) Co., LTD

notes 1.The origin of LCM Label will be changed according to the production site.

Product Specification

# APPENDIX- II-2

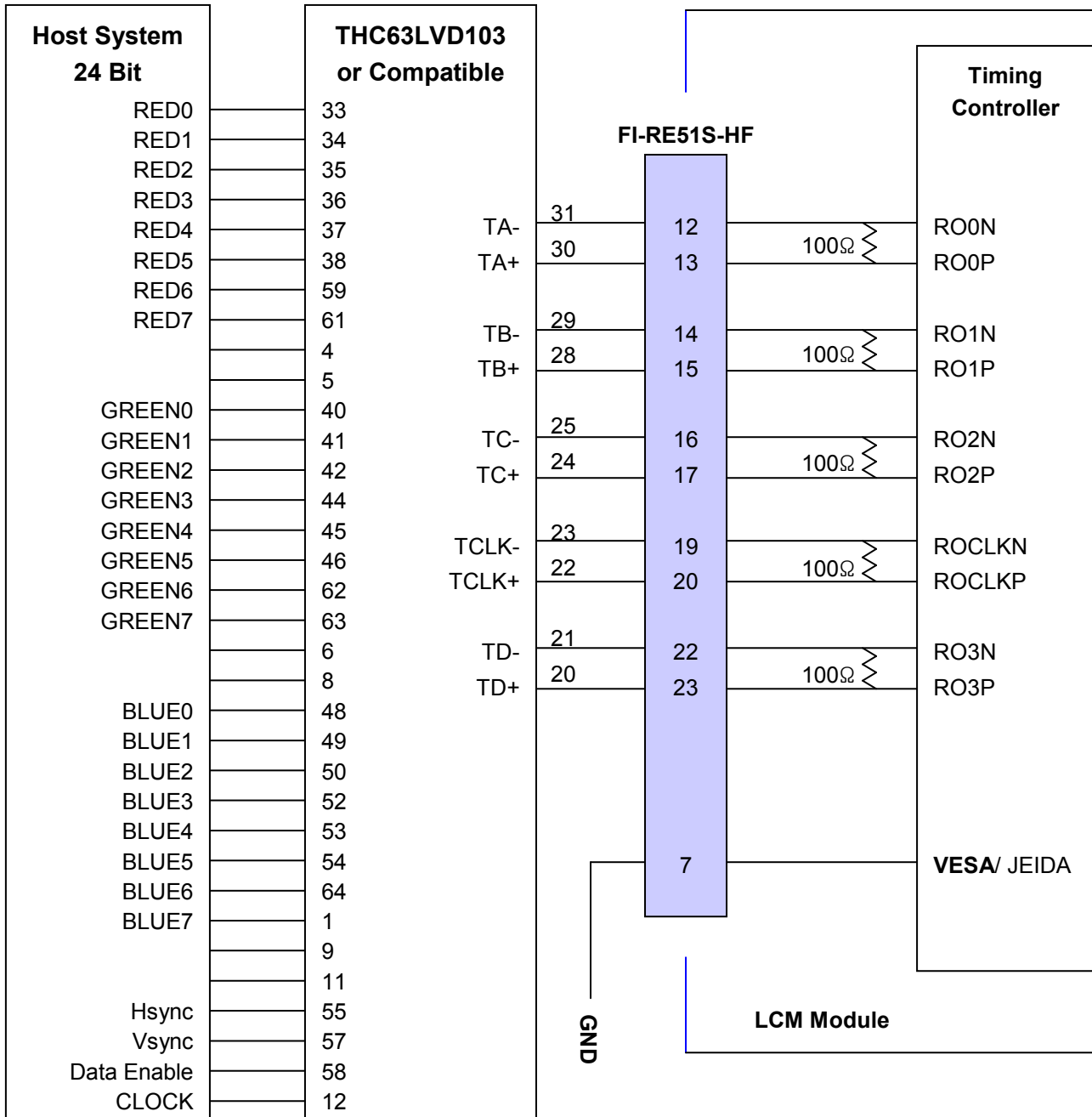
■ Pallet Label





## # APPENDIX- III-1

■ Required signal assignment for Flat Link (Thine : THC63LVD103) Transmitter(Pin7= "L" or "NC")



notes: 1. The LCD module uses a 100 Ohm[Ω] resistor between positive and negative lines of each receiver input.

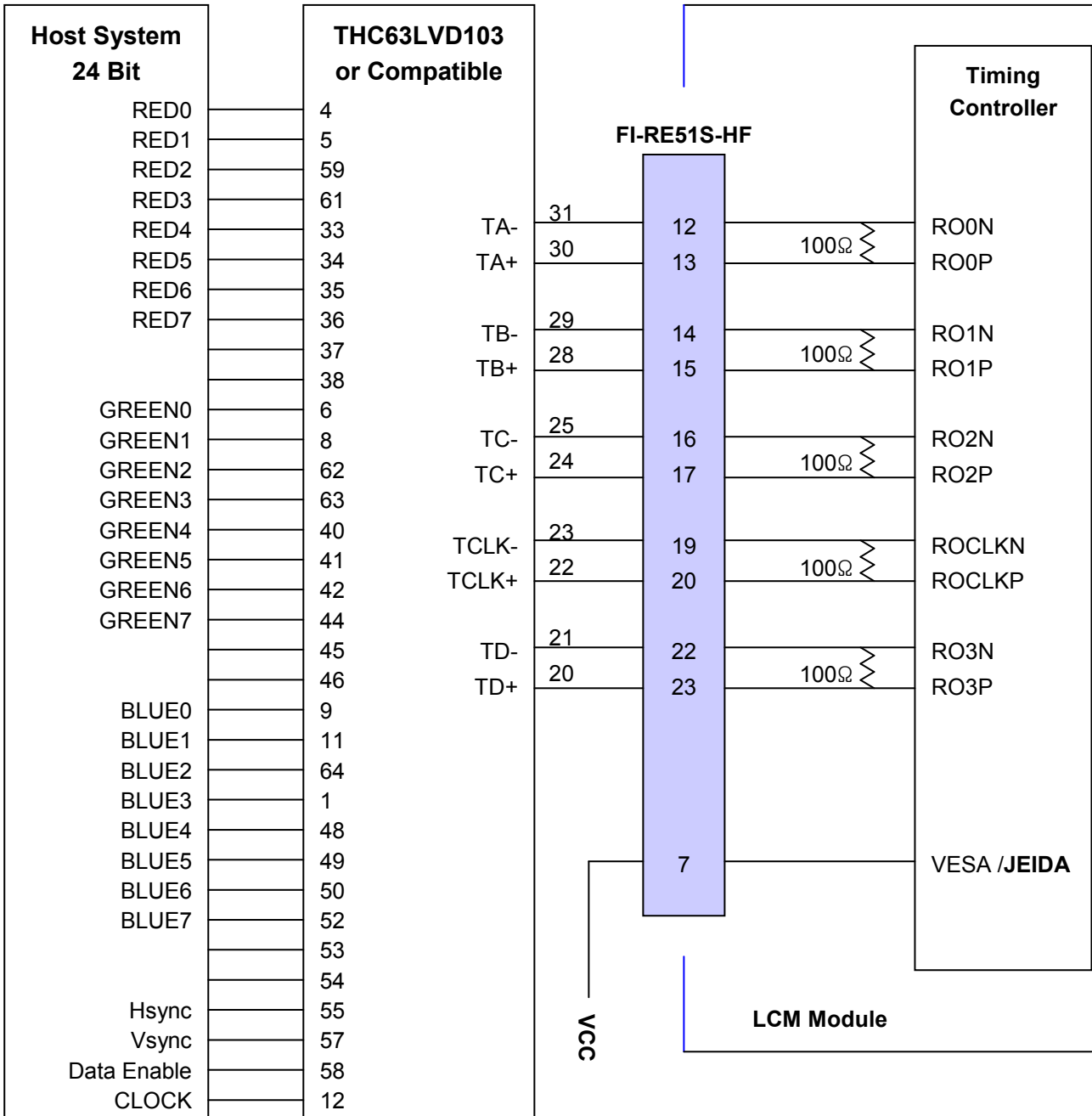
2. Refer to LVDS Transmitter Data Sheet for detail descriptions. (THC63LVD103 or Compatible)

3. '7' means MSB and '0' means LSB at R,G,B pixel data.

Product Specification

# APPENDIX- III-2

■ Required signal assignment for Flat Link (Thine : THC63LVD103) Transmitter(Pin7= "H" )

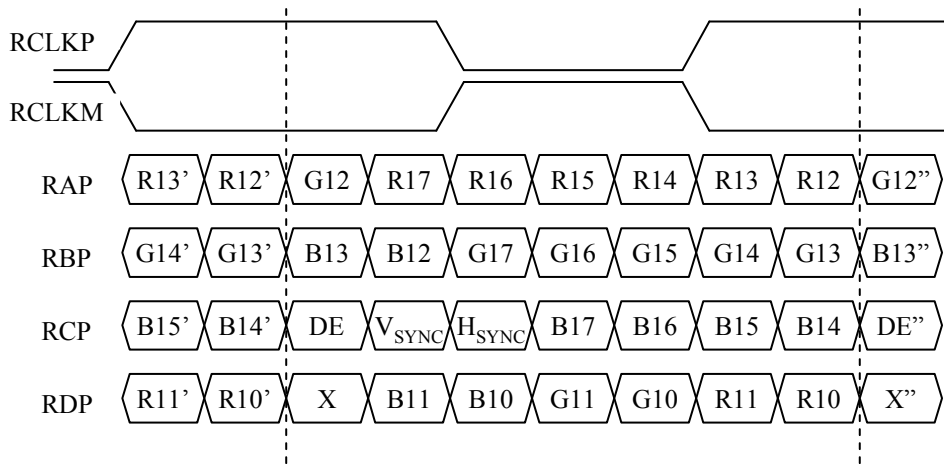


- notes :1. The LCD module uses a 100 Ohm[Ω] resistor between positive and negative lines of each receiver input.
- 2. Refer to LVDS Transmitter Data Sheet for detail descriptions. (THC63LVD103 or Compatible)
- 3. '7' means MSB and '0' means LSB at R,G,B pixel data.

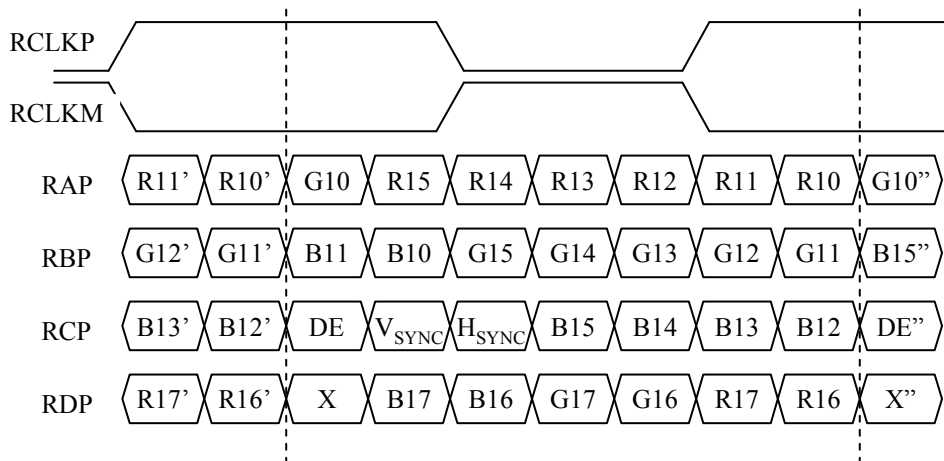
## # APPENDIX- IV

## ■ LVDS Data-Mapping Information (8 Bit )

## 1) LVDS Select : "H" Data-Mapping (JEIDA format)

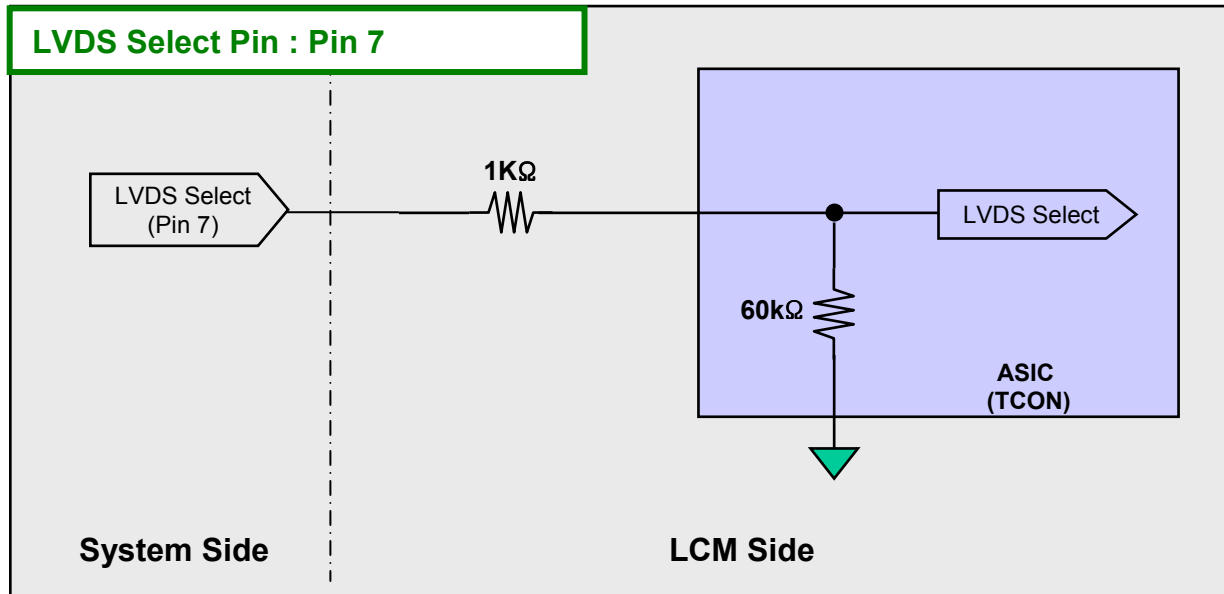
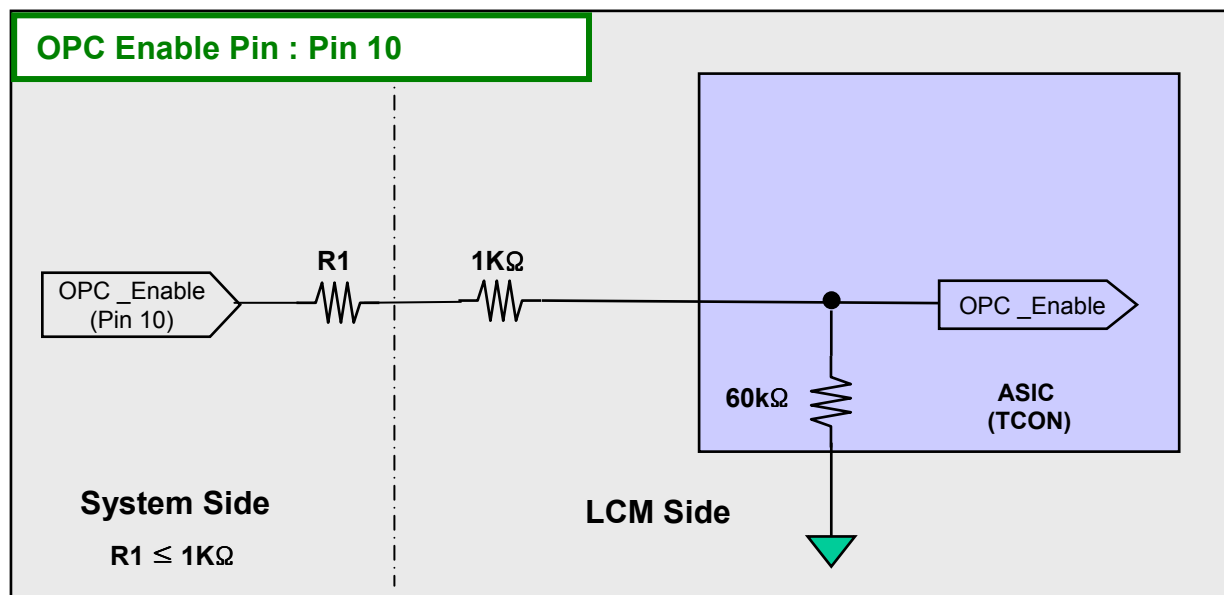


## 2) LVDS Select : "L" Data-Mapping (VESA format)



## # APPENDIX- V-1

## ■ Option Pin Circuit Block Diagram

1) Circuit Block Diagram of **LVDS Format** Selection pin2) Circuit Block Diagram of **OPC Enable** Selection pin

Product Specification

# APPENDIX- VI

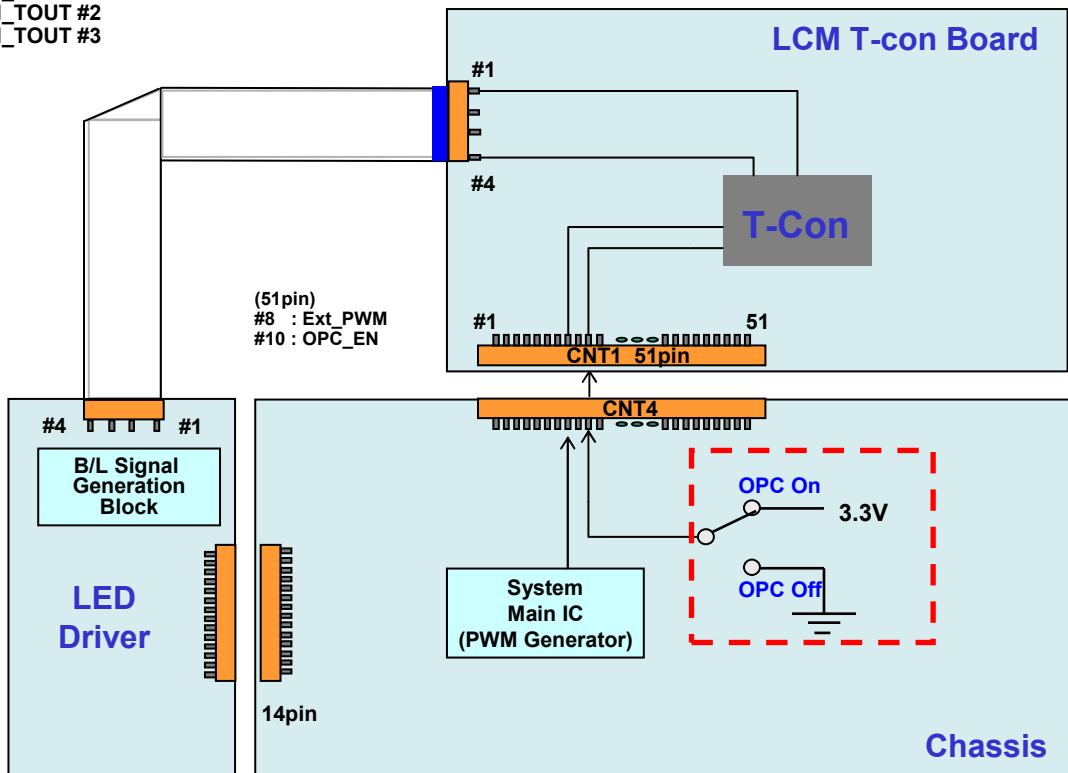
■ Scanning and OPC Design Guide

◇ When OPC Enable is "L", OPC Output = System Dimming.

OPC Output( PWM Signal) is synchronized with V-Sync Freq. of System in T-Con Board.

(4pin)

- #1 : PWM\_TOUT #1
- #2 : PWM\_TOUT #2
- #3 : PWM\_TOUT #3
- #4 : GND



<With Driver Model>

◇ PWM Specification ( VDD = 3.3V ) @ OPC

1. PWM High Voltage Range : 2.5V~3.6V
2. PWM Low Voltage Range : 0.0V~0.8V

EXTV <sub>BR-B</sub> Frequency	50 Hz for PAL 60 Hz for NTSC
Rising Time	MAX 10.0 μs
Falling Time	MAX 10.0 μs

