



LC651306A/04A/02A/01A

4-Bit Single-Chip Microcontroller for Small-Scale Control Applications

Preliminary

Overview

The LC651306A, LC651304A, LC651302A, LC651301A belong to our 4-bit single-chip microcontroller LC6500 series fabricated using CMOS process technology. They are ideally suited for use in small-scale control applications. Their basic architecture and instruction set are the same. These microcontrollers include an 8-input 8-bit A/D converter and are appropriate for use in a wide range of applications. That range includes applications with a small number of control circuits that were previously implemented in standard logic, and applications with a larger scale such as home appliances, automotive equipment, communications equipment, office equipment, and audio equipment such as decks and players.

Features

- 1) CMOS technology for a low-power consumption operation (A standby function that can be invoked under program control is also provided.)
- 2) ROM/RAM
 - LC651306A ROM : 6K × 8 bits, RAM : 256 × 4 bits
 - LC651304A ROM : 4K × 8 bits, RAM : 256 × 4 bits
 - LC651302A ROM : 2K × 8 bits, RAM : 256 × 4 bits
 - LC651301A ROM : 1K × 8 bits, RAM : 256 × 4 bits
- 3) Instruction set : 81 instructions common to all microcontrollers of the LC6500 series
- 4) Wide operating voltage range : 2.5V to 6.0V
- 5) Instruction cycle time : 0.92 μs
- 6) On-chip serial I/O port

- Any and all SANYO products described or contained herein do not have specifications that can handle applications that require extremely high levels of reliability, such as life-support systems, aircraft's control systems, or other applications whose failure can be reasonably expected to result in serious physical and/or material damage. Consult with your SANYO representative nearest you before using any SANYO products described or contained herein in such applications.
- SANYO assumes no responsibility for equipment failures that result from using products at values that exceed, even momentarily, rated values (such as maximum ratings, operating condition ranges, or other parameters) listed in products specifications of any and all SANYO products described or contained herein.

7) Flexible I/O port

- Number of ports : 5 ports / 18 pins (max.)
- All ports : Input / output common
 - Input / output capacity voltage : 15V max. (open-drain specification C and D only)
 - Output current : 20 mA max. sink current (Can drive an LED directly)
- Support options for system specification
 - A. Open drain output, pull-up resistor : all ports in bit unit
 - B. Output level in the reset mode : high/low level for port C and D specified in 4-bit unit

8) Interrupt function

Interrupt by timer overflow (can be tested under program control)

Interrupt by the state of the $\overline{\text{INT}}$ pin or completion of transmission/reception at serial I/O port (can be tested under program control)

9) Stack level : 8 levels (common use with interrupt)

10) Timer : 4-bit variable prescaler + 8-bit programmable counter

11) Clock oscillation options for user's intended system

- Oscillator circuit options : two-pin RC oscillator
two-pin ceramic oscillator
- Divider circuit options : No divider
built-in divide by 3
built-in divide by 4

12) Continuous square wave output (64 times of the cycle time)

13) AD converter (successive approximation)

- Precise conversion (expressed in 8 bits), 8 input channels

14) Watchdog timer

- RC circuit time constant
- Watchdog timer reset function can be assigned to an external pin by the option.

15) Low voltage detection circuit

- Can be implemented by the option.

16) Factory shipment

- DIP24S, MFP24S, SSOP24

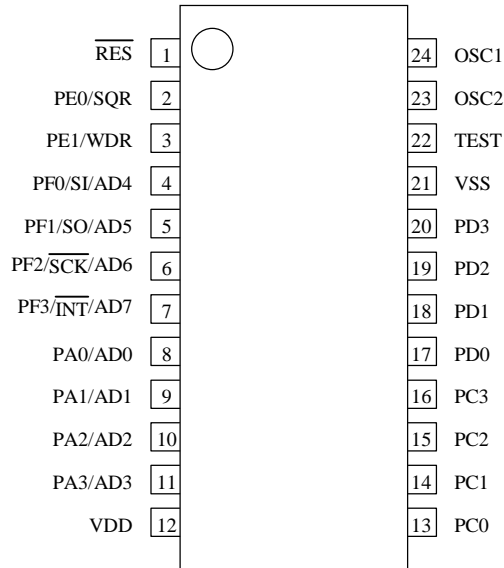
Function Table

Parameter		LC651306A/04A/02A/01A	LC651154F/1152F	LC651432F/1431F
Memory	ROM	6144 × 8 bits (1306A) 4096 × 8 bits (1304A) 2048 × 8 bits (1302A) 1024 × 8 bits (1301A)	4096 × 8 bits (1154F) 2048 × 8 bits (1152F)	2048 × 8 bits (1432F) 1024 × 8 bits (1431F)
	RAM	256 × 4 bits (1306A/04A/02A/01A)	256 × 4 bits (1154/1152F)	128 × 4 bits (1432F) 64 × 4 bit (1431F)
Instructions	Instruction set	81	80	80
	Table reference	Supported	Supported	Supported
On-chip functions	Interrupt	1 external, 1 internal	1 external, 1 internal	1 external, 1 internal
	Timer	4-bit variable prescaler + 8-bit timers	4-bit variable prescaler + 8-bit timers	4-bit fixed prescaler + 8-bit timers
	Stack level	8	8	4
	Standby function	Standby mode by the HALT instruction supported	Standby mode by the HALT instruction supported	Standby mode by the HALT instruction supported
I/O ports	Port number	18 I/O port pins	22 I/O port pins	25 I/O port pins (max.)
	Serial port	Input and output in 4 or 8 bit units	Input and output in 4 or 8 bit units	Input and output in 4 or 8 bit units
	I/O voltage capacity	15 V max.	15 V max.	15 V max.
	Output current	10 mA typ. 20 mA max.	10 mA typ. 20 mA max.	10 mA typ. 20 mA max.
	I/O circuit type	Open drain (N-channel) or pull-up resistor output option can be specified in 1-bit unit		
	Output level at reset	High or low level output can be selected in port unit (ports C and D only)		
	Square wave output	Supported	Supported	Supported
Characteristics	Minimum cycle time	0.92 μs (VDD ≥ 2.5 V)	0.92 μs (VDD ≥ 2.5 V)	0.92 μs (VDD ≥ 3 V)
	Supply voltage	2.5 to 6 V	2.5 to 6 V	3 to 6 V
	Supply current	1.5 mA typ.	2 mA typ.	1.5 mA typ.
Oscillator	Oscillator	RC (800 kHz typ.) Ceramic (400k, 800k, 1MHz, 4MHz)	Ceramic 4 MHz	Ceramic 4 MHz
	Divider circuit option	1/1, 1/3, 1/4	1/1	1/1
Other items	Package	DIP24S MFP24S SSOP24	DIP30S-D MFP30S SSOP30	DIP30S-D MFP30S SSOP30
	Watchdog timer	Supported	Supported	Not supported
	OTP	Only DIP24S MFP24S	Only DIP30S-D MFP30S	Only DIP30S-D MFP30S

Note: The above oscillator and oscillator circuit constants are tentative. They will be announced as the recommended circuits for these microcontrollers are determined. Please confirm the progress of these developments periodically.

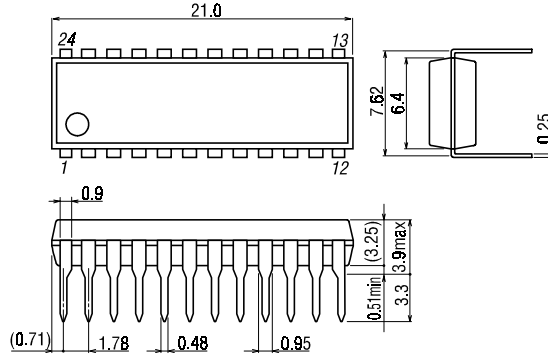
Pin Assignment

DIP24S, SSOP24, MFP24S



Package Dimension

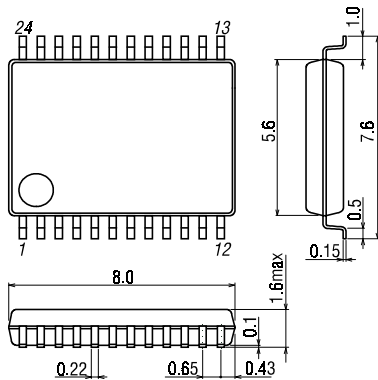
(unit : mm)
3067A



SANYO : DIP24S(300mil)

Package Dimension

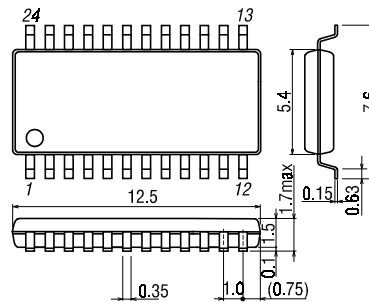
(unit : mm)
3175A



SANYO : SSOP24(275mil)

Package Dimension

(unit : mm)
3112A



SANYO : MFP24S(300mil)

Pin Functions

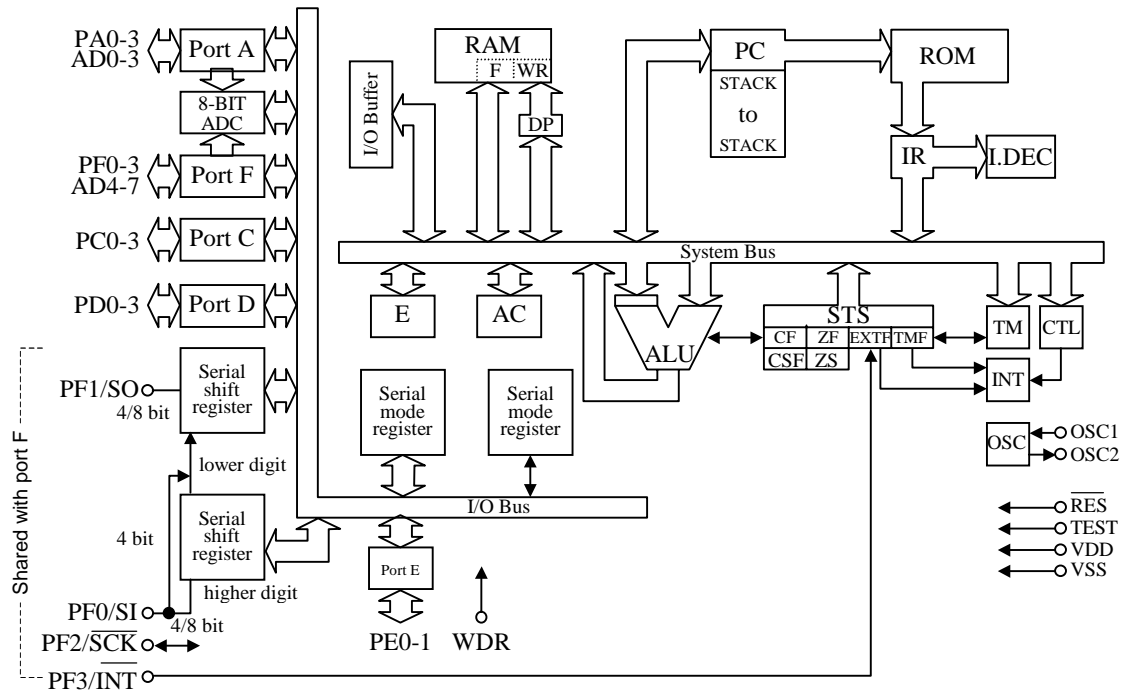
OSC1, OSC2 : Ceramic Oscillator for OSC, RC
RES : Reset
PA0-3 : Common I/O port A0-3
PC0-3 : Common I/O port C0-3
PD0-3 : Common I/O port D0-3
PE0-1 : Common I/O port E0-1
PF0-3 : Common I/O port F0-3

TEST : Test
AD0-AD7 : AD converter analog input
SQR : Square wave output
WDR : Watch Dog Reset pin
INT : Interrupt Request pin
SI : Serial Input pin
SO : Serial Output pin
SCK : Serial Clock input/output pin

Notes: • SQR and WDR are common with PE0 and PE1 respectively.
• SI, SO, SCK, and INT are common with PF0 to PF3 respectively.

System Block Diagram

LC651306A/1304A/1302A/1301A



- | | | | |
|-----|-----------------------------|---------|-----------------------------------|
| RAM | : Data Memory | ROM | : Program Memory |
| F | : Flag | PC | : Program Counter |
| WR | : Working Register | INT | : Interrupt control |
| AC | : Accumulator | IR | : Instruction Register |
| ALU | : Arithmetic and Logic Unit | I.DEC | : Instruction Decoder |
| DP | : Data Pointer | CF, CSF | : Carry Flag, Carry Save Flag |
| E | : E register | ZF, ZSF | : Zero Flag, Zero Save Flag |
| CTL | : Control register | EXTF | : External Interrupt Request Flag |
| OSC | : Oscillation Circuit | TMF | : Internal Interrupt Request Flag |
| TM | : Timer | | |
| STS | : Status register | | |

Development Support

The following are currently in the development stage and will soon be available to the user for the development of the LC651306A/04A/02A/01A.

1. User's manual
Refer to the "LC65F1306A/LC651300 series user's manual."
2. Development tool manual
Refer to the "EVA86000 Development Tool Manual for 4-bit microcontrollers."
3. Software manual
"LC65/66 Series Software Manual"
4. Development tool
 - a. For program development (EVA86000 system)
 - b. For program evaluation
Microcontroller with Flash ROM (LC65F1306)

Pin Functions

Symbol	Number of pins	I/O	Function	Option	At reset	Handling when unused
VDD	1	-	Power supply	-	-	-
VSS	1	-				
OSC1	1	Input	<ul style="list-style-type: none"> • Pins for connecting system clock oscillation RC or ceramic resonator. • Leave OSC2 open when OSC1 is used for an external clock input 	(1) Two-pin RC oscillator, external clock (2) Two-pin ceramic oscillator (3) Divider option 1. No divider 2. Divide by 3 3. Divide by 4	-	-
OSC2	1	Output				
PA0-PA3/ AD0-AD3	4	I/O	<ul style="list-style-type: none"> • I/O port A0 to A3 Input in 4-bit unit (IP instruction) Output in 4-bit unit (OP instruction) Testing in 1-bit unit (BP, BNP instructions) Set and reset in 1-bit unit (SPB, RPB instructions) • PA3 is used for standby mode control. • Chattering should not be occurred on the PA3 during HALT instruction execution. • All four pins have shared function. PA0/AD0:AD converter input AD0 PA1/AD1:AD converter input AD1 PA2/AD2:AD converter input AD2 PA3/AD3: converter input AD3 	(1) Open-drain output (2) Pull-up resistor (1), (2) can be specified in bit unit.	High-level output (The output N-channel transistors in the off state.)	Select the open-drain output option and connect to VSS.
PC0-PC3	4	I/O	<ul style="list-style-type: none"> • I/O port C0 to C3 The port functions are identical to those of PA0 to PA3 (See note). • The output during a reset can be selected to be either high or low as an option. Note: This port has no standby mode control function.	(1) Open-drain output (2) Pull-up resistor (3) High level output during reset. (4) Low level output during reset.	<ul style="list-style-type: none"> • High-level output. • Low-level output. (Depending on options selected)	Same as PA0 to PA3.
PD0-PD3	4	I/O	<ul style="list-style-type: none"> • I/O port D0 to D3 The port functions and options are identical to those of PC0 to PC3. 	Same as PC0 to PC3.	Same as PC0 to PC3.	Same as PA0 to PA3.

Symbol	Number of pins	I/O	Function	Option	At reset	Handling when unused
PE0-PE1 /WDR	2	I/O	<ul style="list-style-type: none"> I/O port E0 to E1 Input in 4-bit unit (IP instruction) Output in 4-bit unit (OP instruction) Set and reset in 1-bit unit (SPB and PRB instructions) Testing in 1-bit unit (BP and BNP instructions) PE0 also has a continuous pulse (64 T_{cy}) output function. PE1 becomes the watchdog reset pin WDR when selected as an option. 	(1) Open -drain output (2) Pull-up resistor • Options (1) or (2) can be specified in bit unit. (3) Normal port PE1 (4) Watchdog reset WDR • Either options (3) or (4) can be selected.	High level output (The output N-channel transistors in the off state)	Identical to those for PA0 to PA3.
PF0/SI/AD4 PF1/SO/AD5 PF2/ SCK /AD6 PF3/ INT /AD7	4	I/O	<ul style="list-style-type: none"> I/O port F0 to F3 The port functions and options are identical to those of PE0 to PE1 (See note). PF0 to PF3 have shared functions with the serial interface pins and the INT input. The function can be selected under program control. SI... Serial input pin SO...Serial output pin SCK...Input and output of the serial clock signal. INT...Interrupt request signal The serial I/O function can be switched between 4-bit and 8-bit transfers under program control. Note: There is no continuous pulse output function. All four pins have shared function. PF0/AD4: AD converter input AD4 PF1/AD5: AD converter input AD5 PF2/AD6: AD converter input AD6 PF3/AD7: AD converter input AD7 	Identical to those for PA0 to PA3.	Identical to those for PA0 to PA3. The serial port functions are disabled. The interrupt source is set to INT.	Identical to those for PA0 to PA3.
RES	1	Input	<ul style="list-style-type: none"> System reset input Provide an external capacitor for the power-on reset. Apply low level to this pin for 4 or more clock cycles to reset and restart the program. 	-	-	-
TEST	1	Input	<ul style="list-style-type: none"> Test pin for LSI. This pin must be connected to VSS during normal operation. 	-	-	This pin must be connected to VSS.

Oscillator Circuit Options

Option	Circuit	Conditions and notes
External clock		The OSC2 pin should be left open.
Two-pin RC oscillator		
Ceramic oscillator		

Divider Circuit Options

Option	Circuit	Conditions and notes
No divider (1/1)		<ul style="list-style-type: none"> The oscillator frequency or external clock frequency should not exceed 4330 kHz.
Built-in divide-by-three circuit		<ul style="list-style-type: none"> This option can only be used with the external clock and the ceramic oscillator options. The oscillator frequency or external clock frequency should not exceed 4330 kHz.
Built-in divide-by-four circuit		<ul style="list-style-type: none"> This option can only be used with the external clock and the ceramic oscillator options. The oscillator frequency or external clock frequency should not exceed 4330 kHz.

Note: The following table summarizes the oscillator and divider circuit options. When selecting the divider option, the relationship between frequency and cycle time must be taken into account.

LC651306A/1304A/1302A/1301A Oscillator Options

Circuit type	Frequency	Divider option (Cycle time)	VDD range	Notes
Ceramic resonator	400 kHz	1/1 (10µs)	2.5 to 6V	Can not be used with the divide-by-three and divide-by-four options.
	800 kHz	1/1 (5µs) 1/3 (15µs) 1/4 (20µs)	2.5 to 6V 2.5 to 6V 2.5 to 6V	
	1 MHz	1/1 (4µs) 1/3 (12µs) 1/4 (16µs)	2.5 to 6V 2.5 to 6V 2.5 to 6V	
	4 MHz	1/1 (1µs) 1/3 (3µs) 1/4 (4µs)	2.5 to 6V 2.5 to 6V 2.5 to 6V	
External clock (used with the 2-pin RC oscillator circuit)	200 k to 4330 kHz	1/1 (20 to 0.92µs)	2.5 to 6V	
	600 k to 4330 kHz	1/3 (20 to 2.77µs)	2.5 to 6V	
	800 k to 4330 kHz	1/4 (20 to 3.70µs)	2.5 to 6V	
Two-pin RC	Use the no divider circuit option and the recommended circuit constants. When using other constants by necessity, use the frequency and VDD range identical to the external clock written above.		2.5 to 6V	
External clock used with the ceramic oscillator option	External clock drive is not possible. To use external clock drive, select the 2-pin RC oscillator option.			

Port C and D Output level Option During Reset

The Output level of the C and D ports at reset can be selected from the following two options in 4-bit unit.

Option	Conditions and notes
High level output at reset	Ports C and D in 4-bit unit
Low level output at reset	Ports C and D in 4-bit unit

Port Output Type Option

The following two options may be selected for the I/O ports individually (bit units).

Option	Circuit	Ports
1. Open-drain output		Ports A, C, D, E and F
2. Built-in pull-up resistor		

Watchdog Reset Option

This option allows the user to select how the PE1/WDR pin is to be used. It can be used as the normal port PE1, or used as the watchdog reset pin WDR.

1. Absolute Maximum Ratings at Ta=25°C, VSS=0V

Parameter	Symbol	Conditions	Applicable pins and notes	Ratings	unit	
Maximum supply voltage	VDD max		VDD	-0.3 to +7.0	V	
Output voltage	VO		OSC2	Output voltage generated can be over the maximum limit of the VDD.		
Input voltage	VI (1)		OSC1 (Note 1)	-0.3 to VDD+0.3		
	VI (2)		TEST, RES AV ₊ , AV ₋	-0.3 to VDD+0.3		
I/O voltage	VIO (1)	PC0 to 3, PD0 to 3	Open-drain specification ports	-0.3 to +15		
	VIO (2)	PC0 to 3, PD0 to 3	Pull-up resistor specification ports	-0.3 to VDD+0.3		
	VIO (3)	PA0 to 3, PE0, 1, PF0 to 3		-0.3 to VDD+0.3		
Peak output current	IOP		I/O Port	-2 to +20		mA
Average output current	IOA	Average current applied to a pin for 100 ms	I/O Port	-2 to +20		
	∑IOA(1)	The total current of PC0 to 3, PD0 to 3 and PE0 to 1. (Note 2)	PC0 to 3 PD0 to 3 PE0 to 1	-15 to +100		
	∑IOA(2)	The total current of PF0 to 3 and PA0 to 3. (Note 2)	PF0 to 3 PA0 to 3	-15 to +100		
Maximum power consumption	Pd max (1)	Ta=-40 to +85°C (DIP package)		310	mW	
	Pd max (2)	Ta=-40 to +85°C (MFP package)		220		
	Pd max (3)	Ta=-40 to +85°C (SSOP package)		160		
Operating temperature	Topr			-40 to +85	°C	
Storage temperature	Tstg			-55 to +125		

LC651306A/04A/02A/01A

2. Recommended Operating range at Ta=-40 to +85°C, VSS=0V, VDD=2.5 to 6.0V (Unless otherwise specified)

Parameter	Symbol	Conditions	Applicable pins and notes	Ratings			unit
				min.	typ.	max.	
Operating supply voltage	VDD		VDD	2.5		6.0	V
Standby supply voltage	VST	RAM and register values retained. (Note 3)	VDD	1.8		6.0	
High level input voltage	VIH(1)	Output Nch Tr. off	Port C, D with open-drain specifications.	0.7VDD		13.5	
	VIH(2)	Output Nch Tr. off	Port C, D with pull-up resistor specifications.	0.7VDD		VDD	
	VIH(3)	Output Nch Tr. off	Port A, E, F	0.7VDD		VDD	
	VIH(4)	Output Nch Tr. off	The $\overline{\text{INT}}$, $\overline{\text{SCK}}$, and SI pin with open-drain specifications.	0.8VDD		VDD	
	VIH(5)	Output Nch Tr. off	The $\overline{\text{INT}}$, $\overline{\text{SCK}}$, and SI pin with pull-up resistor specifications.	0.8VDD		VDD	
	VIH(6)	VDD=1.8 to 6V	$\overline{\text{RES}}$	0.8VDD		VDD	
	VIH(7)	External clock specifications	OSC1	0.8VDD		VDD	
Low level input voltage	VIL(1)	Output Nch Tr. off	VDD=4 to 6V	Port	VSS	0.3VDD	
	VIL(2)	Output Nch Tr. off	2.5 to 6V	Port	VSS	0.25VDD	
	VIL(3)	Output Nch Tr. off	VDD=4 to 6V	$\overline{\text{INT}}$, $\overline{\text{SCK}}$, SI	VSS	0.25VDD	
	VIL(4)	Output Nch Tr. off	2.5 to 6V	$\overline{\text{INT}}$, $\overline{\text{SCK}}$, SI	VSS	0.2VDD	
	VIL(5)	External clock specification	VDD=4 to 6V	OSC1	VSS	0.25VDD	
	VIL(6)	External clock specification	2.5 to 6V	OSC1	VSS	0.2VDD	
	VIL(7)		VDD=4 to 6V	TEST	VSS	0.3VDD	
	VIL(8)		2.5 to 6V	TEST	VSS	0.25VDD	
	VIL(9)		VDD=4 to 6V	$\overline{\text{RES}}$	VSS	0.25VDD	
	VIL(10)		2.5 to 6V	$\overline{\text{RES}}$	VSS	0.2VDD	
Operating frequency (cycle time)	fop (Tcyc)	VDD=2.5 to 6V		200 (20)		4330 (0.92)	kHz (μs)
External clock conditions	Frequency	Fig. 1	VDD=2.5 to 6V	OSC1	200	4330	kHz
	Pulse width	textH, textL	VDD=2.5 to 6V	OSC1	69		ns
	Rising/falling time	textR, textF	VDD=2.5 to 6V	OSC1		50	
Recommended oscillation constants	Cext	Fig. 2	VDD=2.5 to 6V	OSC1, OSC2		270±5%	pF
	Rest	Fig. 3				5.6±1%	kΩ
Two-pin RC oscillator						See Table 1	
Ceramic oscillator (Note 4)							

3. Electrical Characteristics at Ta=-40 to +85°C, VSS=0V, VDD=2.5 to 6.0V (Unless otherwise specified)

Parameter		Symbol	Conditions	Applicable pins and notes	Ratings			unit	
					min.	typ.	max.		
Input High level current		I _{IH} (1)	Output Nch Tr. OFF (including OFF leak current of Nch Tr.) VIN=+13.5V	Port C and D with the open-drain specifications			5.0	μA	
		I _{IH} (2)	Output Nch Tr. OFF (including OFF leak current of Nch Tr.) VIN=VDD	Port A, E and G with the open-drain specifications			1.0		
		I _{IH} (3)	When external clock is used, VIN=VDD	OSC1			1.0		
Input Low level current		I _{IL} (1)	Output Nch Tr. OFF VIN=VSS	Ports with the open-drain specifications	-1.0			mA	
		I _{IL} (2)	Output Nch Tr. OFF VIN=VSS	Ports with the pull-up resistor specifications	-1.3	-0.35			
		I _{IL} (3)	VIN=VSS	$\overline{\text{RES}}$	-45	-10			μA
		I _{IL} (4)	When external clock is used, VIN=VSS	OSC1	-1.0				
Output High level voltage		V _{OH} (1)	I _{OH} =-50 μA VDD=4.0 to 6.0V	Ports with the pull-up resistor specifications	VDD-1.2			V	
		V _{OH} (2)	I _{OH} =-10 μA	Ports with the pull-up resistor specifications	VDD-0.5				
Output Low level voltage		V _{OL} (1)	I _{OL} =10 mA VDD=4.0 to 6.0 V	Port			1.5		
		V _{OL} (2)	I _{OL} =1 mA, I _{OL} of each Port : 1 mA or less	Port			0.5		
Schmitt characteristics	Hysteresis Voltage	V _{HIS}		$\overline{\text{RES}}$, $\overline{\text{INT}}$, $\overline{\text{SCK}}$, $\overline{\text{SI}}$, and schmitt specification OSC1 (Note 5)		0.1VDD			
	High level threshold voltage	V _{tH}			0.4VDD		0.8VDD		
	Low level threshold voltage	V _{tL}			0.2VDD		0.6VDD		
Current consumption			<ul style="list-style-type: none"> Output N-channel transistors are off when operating Port = VDD Fig. 2, f_{osc}=800 kHz (typical) 	VDD		1.5	4	mA	
Two-pin RC oscillator		IDDOP (1)							
Ceramic oscillator		IDDOP (2)	• Fig. 3, 4 MHz, no divider	VDD		2.0	6		
		IDDOP (3)	• Fig. 3, 4 MHz, divide-by-three circuit	VDD		1.5	5		
		IDDOP (4)	• Fig. 3, 4 MHz, divide-by-four circuit	VDD		1.5	4		
External clock		IDDOP (5)	• Fig. 3, 400 kHz	VDD		1.0	2.5		
		IDDOP (6)	• Fig. 3, 800 kHz	VDD		1.5	4		
		IDDOP (7)	• 200 kHz to 4330 kHz, no divider	VDD		2.0	6		
		IDDOP (8)	• 600 kHz to 4330 kHz, divide-by-three circuit • 800 kHz to 4330 kHz, divide-by-four circuit	VDD		1.5	5		
Standby mode		IDD _{st}	Output N-channel transistor off, Ports=VDD	VDD		0.05	10	μA	
			VDD=2.5V	VDD		0.025	5		

Parameter	Symbol	Conditions	Pin	Ratings			unit
				min.	typ.	max.	
Oscillation characteristics Ceramic resonator Frequency	fCFOSC (Note 7)	<ul style="list-style-type: none"> • Fig. 3 fo=400kHz • Fig. 3 fo=800kHz • Fig. 3 fo=1MHz • Fig. 3 fo=4MHz, with no divider, divide-by-three, or divide-by-four circuit 	OSC1,OSC2	392	400	408	kHz
			OSC1,OSC2	784	800	816	
Oscillation stabilizing time (Note 8)	tCFS	<ul style="list-style-type: none"> • Fig. 4 fo=400kHz • Fig. 4 fo=800kHz, 1MHz, or 4MHz, with no divider, divide-by-three, or divide-by-four circuit 				10	ms
						10	
Two-pin RC oscillator frequency	fMOSC	<ul style="list-style-type: none"> • Fig. 2 Cext=270pF±5% • Fig. 2 Rext=5.6kΩ±1% 	OSC1, OSC2	587	800	1298	kHz
Pull-up resistance I/O port	RPP	<ul style="list-style-type: none"> • Output N-channel transistors off • VIN=VSS VDD=5V 	Pull-up resistor specification port	8	14	30	KΩ
	RES	VIN=VSS VDD=5V	RES	200	500	800	
External reset characteristics Reset time	tRST				See Fig.5		
Pin capacitance	Cp	f=1MHz, Pins except for tested pins, VIN=VSS			10		pF
Serial clock Input clock Cycle time	tCKCY(1)	Fig. 6	\overline{SCK}	2.0			μs
Output clock Cycle time	tCKCY(2)	Fig. 6	\overline{SCK}		64×tCYC (Note 9)		
Input clock low level pulse width	tCKL(1)	Fig. 6	\overline{SCK}	0.6			
Output clock low level pulse width	tCKL(2)	Fig. 6	\overline{SCK}		32×tCYC		
Input clock high level pulse width	tCKH(1)	Fig. 6	\overline{SCK}	0.6			
Output clock high level pulse width	tCKH(2)	Fig. 6	\overline{SCK}		32×tCYC		
Serial input Data setup time	tICK	Specified for the rising edge of \overline{SCK} Fig. 6	SI	0.2			
Data hold time	tCKI		SI	0.2			
Serial output Output delay time	tCKO	<ul style="list-style-type: none"> • Specified for the falling edge of \overline{SCK} • Select only Nch OD option, and add external 1kΩ resistor and external 50pF capacitor. • Fig. 6 	SO			0.4	

Parameter	Symbol	Conditions	VDD[V]	Applicable pins and notes	Ratings			unit	
					min.	typ.	max.		
Pulse output Period	tPCY	<ul style="list-style-type: none"> • Fig.7 • TCYC=4 × system clock • Select only Nch OD option, and add external 1kΩ resistor and external 50pF capacitor. 		PE0		64×TCYC		μs	
High level pulse width	tPH			PE0		32×TCYC ±10%			
Low level pulse width	tPL			PE0		32×TCYC ±10%			
A/D converter characteristics	Resolution		3 to 6			8		bit	
	Absolute precision	AV+=VDD AV-=VSS				±1	±2	LSB	
	Conversion time	TCAD	When AD speed is 1/1=26*TCYC			24 (TCYC=0.92μs)		312 (TCYC=12μs)	μs
			When AD speed is 1/2=51*TCYC			47 (TCYC=0.92μs)		612 (TCYC=12μs)	
	Analog input voltage range	VAIN			AD0 to AD7	VSS		VDD	V
	Analog port input current	IAIN	Including the output off leakage current. VAIN=VDD VAIN=VSS		AD0 to AD7 (The shared I/O function ports have open-drain specification)			1	μA
					-1				
Watch dog timer	Recommended constants (Note 10)	Cw	3 to 6	WDR		0.1±5%		μF	
		Rw		WDR		680±1%		kΩ	
		Rl		WDR		100±1%		Ω	
	Clear time (discharge)	tWCT	Fig.8	WDR	100			μs	
	Clear period (charge)	tWCCY	Fig.8	WDR	36			ms	
	Recommended constants (Note 10)	Cw	2.5 to 6	WDR		0.01±5%		μF	
		Rw		WDR		680±1%		kΩ	
		Rl		WDR		100±1%		Ω	
	Clear time (discharge)	tWCT	Fig.8	WDR	10			μs	
	Clear period (charge)	tWCCY	Fig.8	WDR	4.2			ms	

Notes:

- (1) When oscillated internally under the oscillating conditions in Fig.3, generated voltage can be over the maximum limit of the VDD.
- (2) Average for 100 ms period.
- (3) Operating supply voltage VDD must be held until the microcontroller enters in the standby mode after the execution of the HALT instruction. Any chattering should not be generated at the PA3 pin during the HALT instruction execution cycle.
- (4) Recommended circuit constants that are verified by the oscillator manufacturer, using oscillator characteristic evaluation board selected by SANYO.
- (5) The OSC1 pin will have schmitt characteristics when external clock oscillator or the two-pin RC oscillator is selected as an oscillation option.
- (6) These are the results of testing using the value at each part on the Fig.3 circuit which is recommended by SANYO. These results do not include the current applied to the output transistor, nor the current applied to the transistor with a pull-up resistor on the LSI.
- (7) fCFOSC is the frequency when the values in table 1 are used.
- (8) This indicates the elapsed time that is required before the oscillation becomes stable after the VDD exceeds the minimum limit of the operation supply voltage.

- (9) $TCYC=4 \times$ system clock period
- (10) When used in an environment that may result in condensation, note that a current leakage between PE1 and adjacent pins or a current leakage at external integration circuit using R and C could occur.

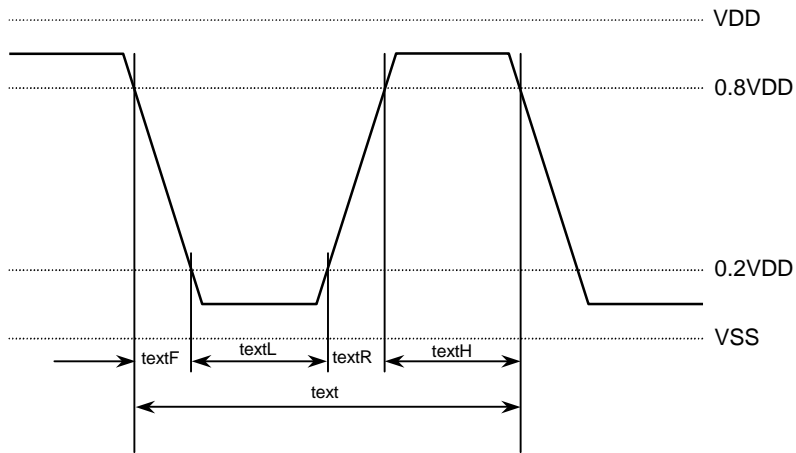
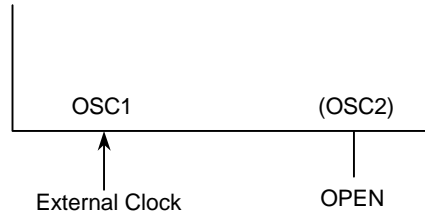


Figure 1 External Clock Input Waveform

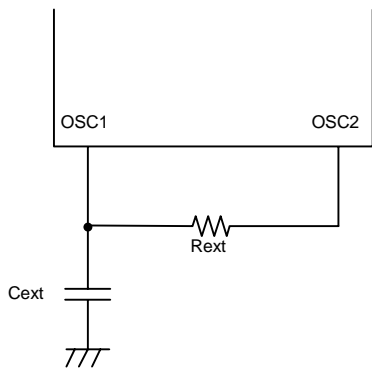


Figure 2 Two-pin RC Oscillator Circuit

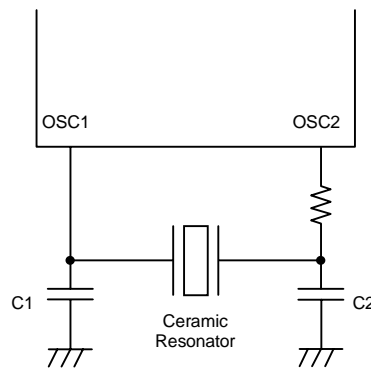


Figure 3 Ceramic Resonator Circuit

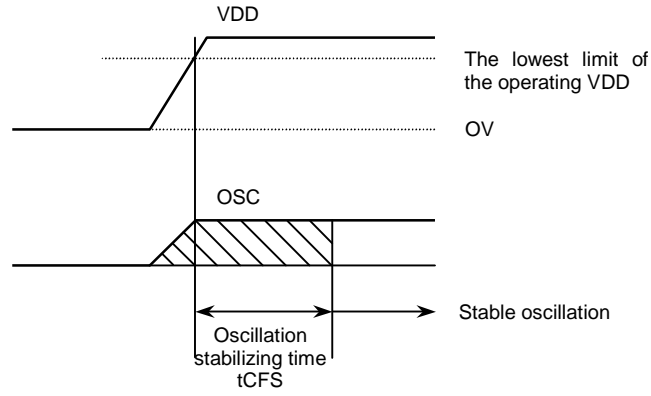


Figure 4 Oscillation Stabilizing Time

Table 1 Recommended Ceramic Resonator constants

Data will be added once evaluation has been completed.

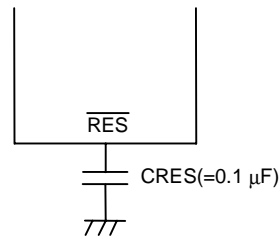


Figure 5 Reset Circuit

(Note) If measured from the instant the voltage level reaches the lowest limit of the operating VDD (i.e. not including the rising time), the reset time when CRES=0.1 μF is used should be between 10 ms to 100 ms.

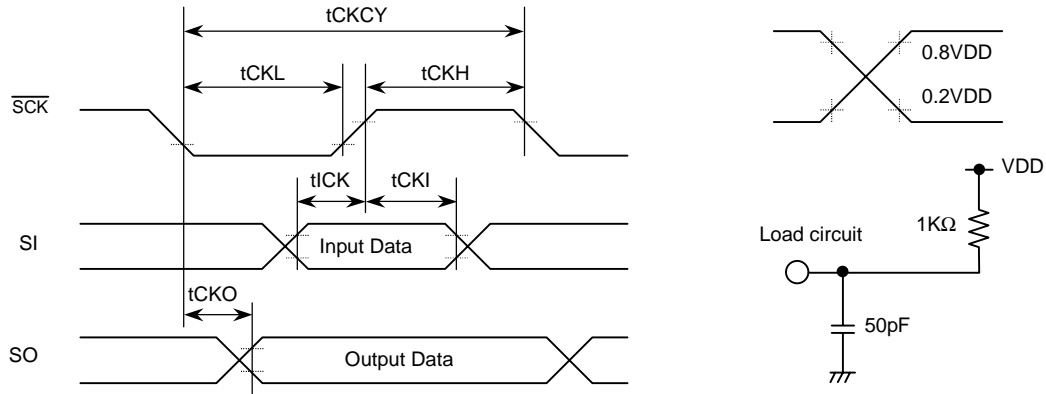
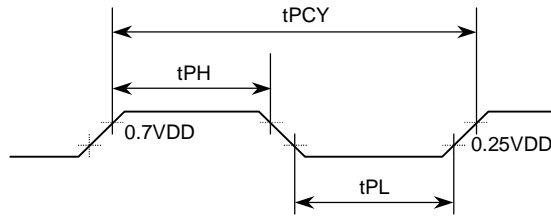
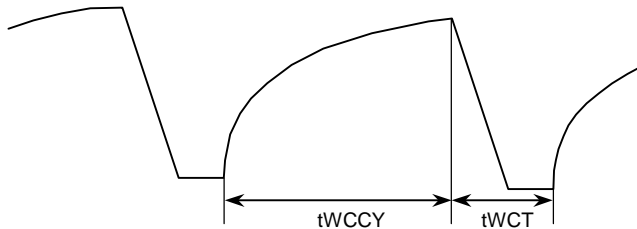
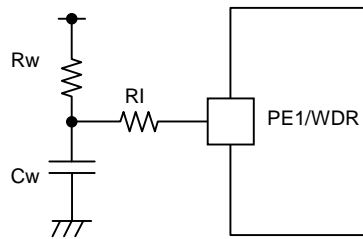


Figure 6 Serial I/O Timing



The load conditions are the same as those in Figure 5.

Figure 7 Port PE0 Pulse Output Timing



tWCCY : Charge time made by the external Cw, Rw, and RI time constants
 tWCT : Discharge time made by program control

Figure 8 Watchdog Timer Waveform

RC Oscillator Characteristic of LC651306A/1304A/1302A/1301A

Data will be added once evaluation has been completed.

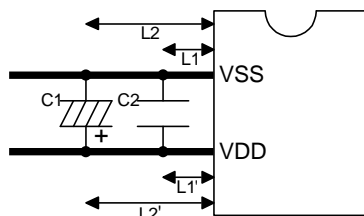
Notes on Circuit Board Design

This section provides advice and countermeasures to prevent microcontroller noise problem when designing circuit boards using these microcontrollers intended for a mass production. These design techniques are effective to prevent and avoid the defects (e.g. malfunctions of the microcontroller or a runaway program) caused by noise.

1. VDD, VSS : Power Supply Pins

Add capacitors between the VDD and VSS pins so that they meet the following conditions.

- The VDD line and the VSS line to the two capacitors (C1 and C2) should be as similar in length as possible ($L1=L1'$, $L2=L2'$), and should be as short as possible.
 - Add the larger capacitor to 'C1' position and smaller capacitor to 'C2' position.
- The VDD and VSS lines on the circuit board should be thicker than any other lines.



2. OSC1, OSC2: Clock I/O Pins

- When the ceramic resonator option is selected: (Figure 2-1)
 - The length of the lines (L_{osc} in Fig.2-1) between the clock I/O pins (input: OSC1, output: OSC2) and the external components should be as short as possible.
 - The length of the lines ($L_{vss}+L1$ or $L2$) between each capacitor and the VSS pin should be as short as possible.
 - The VSS line for the oscillation circuit and the VSS line for other functions should be branched as close as possible to the microcontroller's VSS pin.
 - Oscillation constants written in this specification sheet (such as the capacitor C1, C2 and the damping resistor R_d) may have to be changed and the frequency should be adjusted, depending on the pattern capacity of the circuit board. For further information, contact the oscillator manufacturer
- When two-pin RC oscillator option is selected: (Figure 2-2)
 - The length of the lines (L_{osc}) between the clock I/O pins (input: OSC1, output: OSC2) and the external components (capacitor C_{ext} , resistor R_{ext}) should be as short as possible.
 - The length of the line ($L_{vss}+L_c$) between the capacitor and the VSS pin should be as short as possible.
 - The VSS line for the oscillation circuit and the VSS line for other functions should be branched as close as possible to the microcontroller's VSS pin.
- When the external oscillation option is selected: (Figure 2-3)
 - The length of the line (L_{osc}) between the clock input pin (OSC1) and the external oscillator should be as short as possible.
 - The clock output pin (OSC2) should be opened.
 - The length of the line between the VSS and the external oscillator, and the length of the line between the VDD and the external oscillator should be as short as possible.

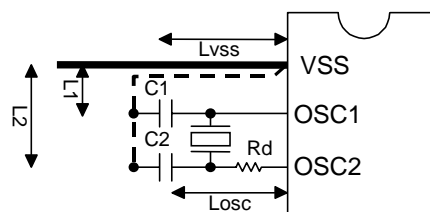


Figure 2-1. Sample Oscillation Circuit 1 (Ceramic resonator)

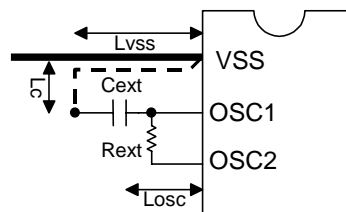


Figure 2-2. Sample Oscillation Circuit 2 (Two-pin RC Oscillator)

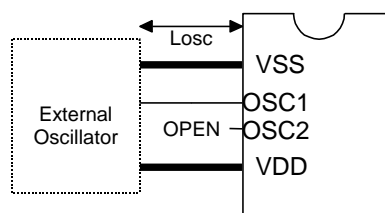


Figure 2-3. Sample Oscillation Circuit 3 (External Oscillator)

• Other note on all oscillator circuit:

- Place the lines for signals that can easily change suddenly, high amplitude signals connected to the higher capacity voltage (+15 V) ports, and powerful current supplies as far as possible from the oscillation circuit, and do not cross these lines with lines that have relevance to the clock.

3. $\overline{\text{RES}}$: Reset Pin

- The length of line (L_{res}) between the $\overline{\text{RES}}$ pin and the external circuit should be as short as possible.
- The length of lines (L_1 and L_2) between the $\overline{\text{RES}}$ pin and the capacitor (C_{res}), and the VSS and the capacitor should be as short as possible.

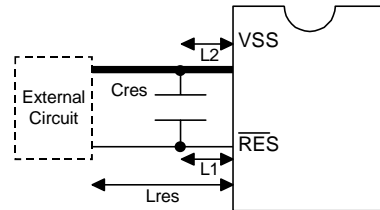


Figure 3. $\overline{\text{RES}}$ Pin Patterns

4. TEST: Test Pin

- The length of line (L) between the VSS and the TEST pin should be as short as possible.
- The TEST pin and the VSS pin should be connected as close as possible to the VSS pin.

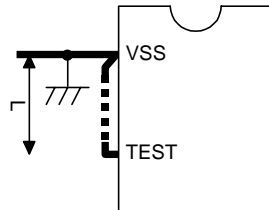


Figure 4. Test Pin Patterns

5. AD0 to AD7: Analog Input Pins

The connection for the analog input pins, such as A/D converter input pins and comparator input pin, should meet the following conditions.

- The length of the line (L_1) between the damping resistor (R_1) and each analog pin should be as short as possible.
- The capacitor added between each analog pin and AV- pin (base voltage input pin for A/D converter) should be located as close as possible to the AV- input pin.

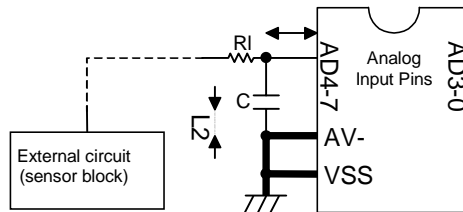


Figure 5. Analog Input Pins Patterns

6. I/O Pins

All I/O pins on these microcontrollers have both input and output function.

- When used as an input pin, add a damping resistor and keep the length of the line to that pin as short as possible.

[Supplement]

In addition to the above techniques in designing a circuit board, the following options and programming methods are also effective in preventing defects (such as malfunction or a runaway program) in the microcontroller.

- If signals are input from external sources when the microcontroller power supply is unstable, select the higher capacity voltage (N-channel open drain) output type for the input pin, and add a damping resistor close to the pin.

- When the external signals are input to pins, key chattering must be removed.
- The data should be output periodically from the pins using the output instruction, OP or SPB.
- To read the data input to the I/O common pins, the output value should be set to '1' using the output instruction, OP or SPB.

7. Unused Pins

- See each microcontroller's users manual or the final edition of the specification sheet.

- Specifications of any and all SANYO products described or contained herein stipulate the performance, characteristics, and functions of the described products in the independent state, and are not guarantees of the performance, characteristics, and functions of the described products as mounted in the customer's products or equipment. To verify symptoms and states that cannot be evaluated in an independent device, the customer should always evaluate and test devices mounted in the customer's products or equipment.
- SANYO Electric Co., Ltd. strives to supply high-quality high-reliability products. However, any and all semiconductor products fail with some probability. It is possible that these probabilistic failures could give rise to accidents or events that could endanger human lives, that could give rise to smoke or fire, or that could cause damage to other property. When designing equipment, adopt safety measures so that these kinds of accidents or events cannot occur. Such measures include but are not limited to protective circuits and error prevention circuits for safe design, redundant design, and structural design.
- In the event that any or all SANYO products (including technical data, services) described or contained herein are controlled under any of applicable local export control laws and regulations, such products must not be exported without obtaining the export license from the authorities concerned in accordance with the above law.
- No part of this publication may be reproduced or transmitted in any form or by any means, electronic or mechanical, including photocopying and recording, or any information storage or retrieval system, or otherwise, without the prior written permission of SANYO Electric Co., Ltd.
- Any and all information described or contained herein are subject to change without notice due to product/technology improvement, etc. When designing equipment, refer to the "Delivery Specification" for the SANYO product that you intend to use.
- Information (including circuit diagrams and circuit parameters) herein is for example only; it is not guaranteed for volume production. SANYO believes information herein is accurate and reliable, but no guarantees are made or implied regarding its use or any infringements of intellectual property rights or other rights of third parties.

This catalog provides information as of September, 2000. Specifications and information herein are subject to change without notice.