

SANYO	No. 3661B	LC7219, LC7219M
		PLL Frequency Synthesizers

OVERVIEW

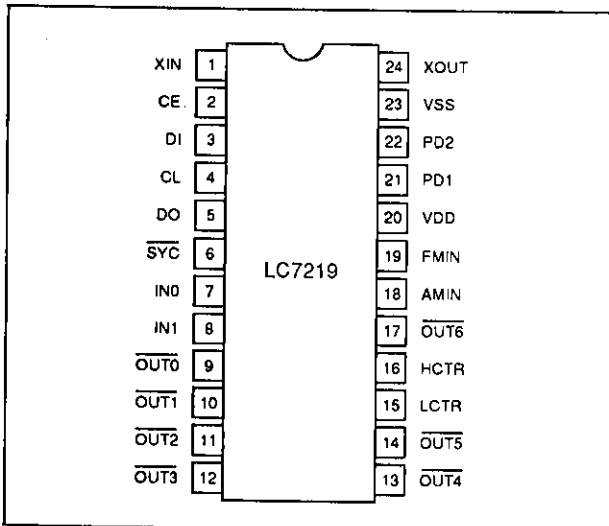
The LC7219 and LC7219M are high-performance, phase-locked loop (PLL) frequency synthesizer ICs that operate over the AM and FM radio wavebands. They feature excellent frequency tracking, making them ideal as reference frequency sources for use in AM/FM tuners, television and audio-video equipment, and high-quality car-stereo applications.

The LC7219 and LC7219M operate from a 5 V supply and are available in 24-pin DIPs and 24-pin MFPs, respectively.

FEATURES

- Programmable divider
- General-purpose universal counter
(The IF signal count must be used together with the SD (station detect) signal from IF-IC.)
- Unlock detector
- 8 Hz real-time clock output
- Ten selectable reference frequencies
- 400 kHz microcontroller system-clock output
- Swallow counter
- Shift register
- 5 V supply
- 24-pin DIP and 24-pin MFP

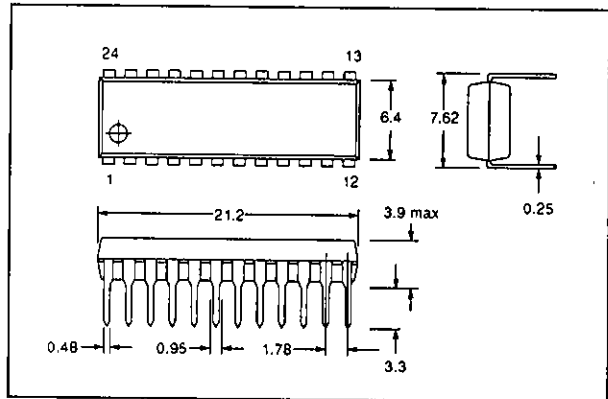
PIN ASSIGNMENT



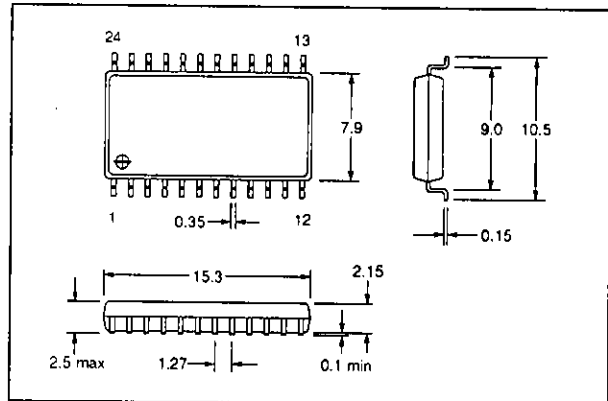
PACKAGE DIMENSIONS

Unit: mm

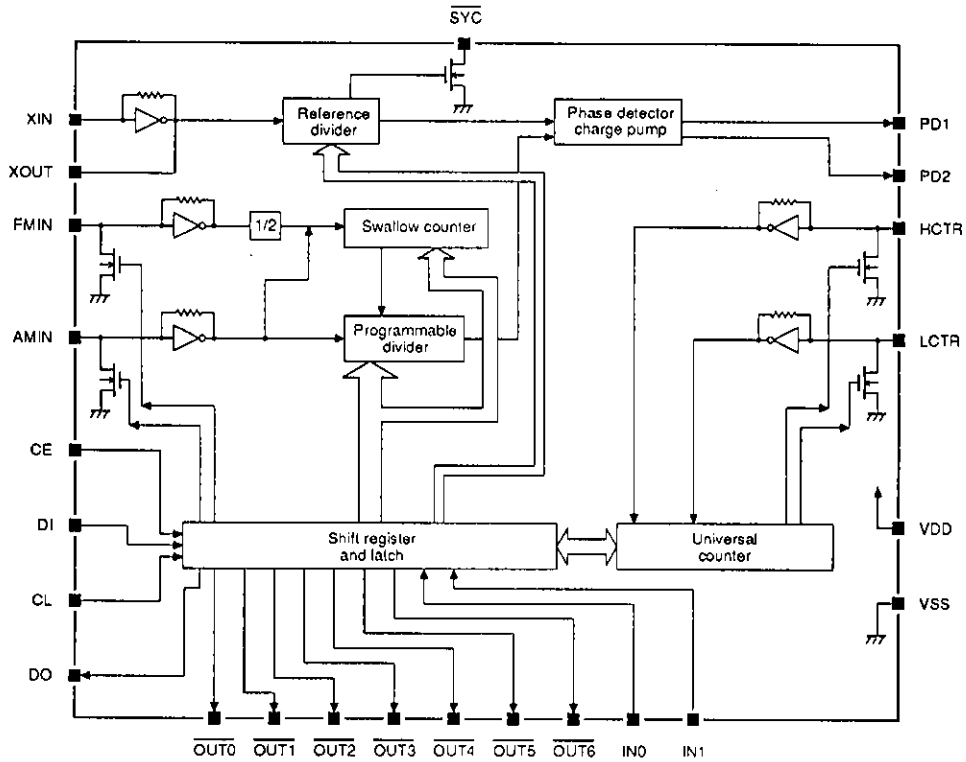
3067-DIP24S [LC7219]



3045B-MFP24 [LC7219M]



BLOCK DIAGRAM



PIN DESCRIPTION

Number	Name	Description
1	XIN	7.2 MHz crystal oscillator input
2	CE	Chip-enable input
3	DI	Data input from microcontroller
4	CL	Clock input
5	DO	Data output to microcontroller
6	SYC	400 kHz, 66% duty cycle, system-clock output
7, 8	IN0, IN1	Shift register data inputs
9 to 14, 17	OUT0 to OUT6	Shift register data outputs
15	LCTR	Period or frequency measurement general-purpose counter input
16	HCTR	Frequency measurement general-purpose counter input
18	AMIN	AM band VCO signal input
19	FMIN	FM band VCO signal input
20	VDD	Supply voltage
21, 22	PD1, PD2	Phase-detector charge pump outputs
23	VSS	Ground
24	XOUT	7.2 MHz crystal oscillator output

SPECIFICATIONS

Absolute Maximum Ratings

Parameter	Symbol	Rating	Unit
Supply voltage range	V _{DD}	-0.3 to 7.0	V
CE, CL, DI, IN0 and IN1 input voltage range	V _{IN1}	-0.3 to 7.0	V
Input voltage range for all other pins	V _{IN2}	-0.3 to V _{DD} + 0.3	V
DO and $\overline{\text{SYC}}$ output voltage range	V _{OUT1}	-0.3 to 7.0	V
$\overline{\text{OUT1}}$ and $\overline{\text{OUT2}}$ output voltage range	V _{OUT2}	-0.3 to V _{DD} + 0.3	V
$\overline{\text{OUT0}}$ and $\overline{\text{OUT3}}$ to $\overline{\text{OUT6}}$ output voltage range	V _{OUT3}	-0.3 to 15.0	V
Output voltage range for all other pins	V _{OUT4}	-0.3 to V _{DD} + 0.3	V
Power dissipation	P _D	350 (LC7219)	mW
		300 (LC7219M)	
Operating temperature range	T _{opr}	-40 to 85	°C
Storage temperature range	T _{stg}	-55 to 125	°C

Recommended Operating Conditions

T_a = 25 °C, V_{SS} = 0 V

Parameter	Symbol	Rating	Unit
Supply voltage	V _{DD}	5	V
Supply voltage range	V _{DD1}	4.5 to 6.5	V
Supply voltage range for crystal oscillator operation	V _{DD2}	3.5 to 6.5	V

Electrical Characteristics

V_{DD} = 5 V, T_a = -40 to 85 °C, V_{SS} = 0 V unless otherwise noted

Parameter	Symbol	Condition	Rating			Unit
			min	typ	max	
Supply current	I _{DD}	f _{IN2} = 130 MHz, V _{IN2} = 70 mV, 7.2 MHz crystal oscillator running, inputs grounded, outputs open	-	20	30	mA
		PLL inhibited, oscillator running, inputs grounded, outputs open	-	1.0	-	
CL, CE, DI, IN0 and IN1 LOW-level input voltage	V _{IL1}		0	-	0.7	V
LCTR LOW-level input voltage	V _{IL2}	Period measurement, V _{DD} = 4.5 to 6.5 V	0	-	0.3V _{DD}	V
CE, CL, DI, IN0 and IN1 HIGH-level input voltage	V _{IH1}		2.2	-	6.5	V
LCTR HIGH-level input voltage	V _{IH2}	Period measurement, V _{DD} = 4.5 to 6.5 V	0.7V _{DD}	-	V _{DD}	V

LC7219, LC7219M

Parameter	Symbol	Condition	Rating			Unit
			min	typ	max	
XIN rms input amplitude	V _{IN1}	Sine wave, capacitive coupling, V _{DD} = 4.5 to 6.5 V	0.5	-	1.5	V
FMIN rms input amplitude	V _{IN2}	Sine wave, capacitive coupling, V _{DD} = 4.5 to 6.5 V	0.07	-	1.5	V
AMIN rms input amplitude	V _{IN3}	Sine wave, capacitive coupling, V _{DD} = 4.5 to 6.5 V	0.07	-	1.5	V
HCTR rms input amplitude	V _{IN4}	Frequency measurement, V _{DD} = 4.5 to 6.5 V	0.07	-	1.5	V
LCTR rms input amplitude	V _{IN5}	Frequency measurement, sine wave, capacitive coupling, V _{DD} = 4.5 to 6.5 V	0.07	-	1.5	V
$\overline{\text{OUT1}}$ and $\overline{\text{OUT2}}$ LOW-level output voltage	V _{OL1}	I _o = 1 mA	-	-	1.0	V
PD1 and PD2 LOW-level output voltage	V _{OL2}	I _o = 0.5 mA	-	-	1.0	V
$\overline{\text{OUT3}}$ to $\overline{\text{OUT6}}$ LOW-level output voltage	V _{OL3}	I _o = 5 mA	-	-	1.0	V
$\overline{\text{OUT0}}$ LOW-level output voltage	V _{OL4}	I _o = 1 mA	-	-	1.0	V
DO LOW-level output voltage	V _{OL5}	I _o = 5 mA	-	-	1.0	V
$\overline{\text{SYC}}$ LOW-level output voltage	V _{OL6}	I _o = 0.5 mA, V _{DD} = 3.5 to 6.5 V	-	-	1.0	V
$\overline{\text{OUT1}}$ and $\overline{\text{OUT2}}$ HIGH-level output voltage	V _{OH1}	I _o = 1 mA	V _{DD} - 1	-	-	V
PD1 and PD2 HIGH-level output voltage	V _{OH2}	I _o = 0.5 mA	V _{DD} - 1	-	-	V
DO and $\overline{\text{SYC}}$ output voltage	V _{OUT1}		-	-	6.5	V
$\overline{\text{OUT0}}$ and $\overline{\text{OUT3}}$ to $\overline{\text{OUT6}}$ output voltage	V _{OUT2}		-	-	13	V
CE, CL and DI LOW-level input current	I _{IL1}	V _{IN} = V _{SS}	-	-	5	μA
IN0 and IN1 LOW-level input current	I _{IL2}	V _{IN} = V _{SS}	-	-	5	μA
XIN LOW-level input current	I _{IL3}	V _{IN} = V _{SS}	-	-	20	μA
FMIN and AMIN LOW-level input current	I _{IL4}	V _{IN} = V _{SS}	-	-	40	μA
HCTR and LCTR LOW-level input current	I _{IL5}	V _{IN} = V _{SS}	-	-	40	μA
CE, CL and DI HIGH-level input current	I _{IH1}	V _{IN} = 6.5 V	-	-	5	μA
IN0 and IN1 HIGH-level input current	I _{IH2}	V _{IN} = V _{DD}	-	-	5	μA
XIN HIGH-level input current	I _{IH3}	V _{IN} = V _{DD}	-	-	20	μA
AMIN and FMIN HIGH-level input current	I _{IH4}	V _{IN} = V _{DD}	-	-	40	μA

LC7219, LC7219M

Parameter	Symbol	Condition	Rating			Unit
			min	typ	max	
HCTR and LCTR HIGH-level input current	I_{IH5}	$V_{IN} = V_{DD}$	-	-	40	μA
XIN input frequency	f_{IN1}	Sine wave, capacitive coupling, $V_{DD} = 3.5$ to 6.5 V	1.0	7.2	8.0	MHz
FMIN input frequency	f_{IN2}	Sine wave, capacitive coupling, $V_{DD} = 4.5$ to 6.5 V. See table 5.	10	-	130	MHz
AMIN input frequency	f_{IN3}	Sine wave, capacitive coupling, $V_{DD} = 4.5$ to 6.5 V. See table 5.	0.5	-	40.0	MHz
HCTR input frequency	f_{IN4}	Period measurement, sine wave, capacitive coupling, $V_{DD} = 4.5$ to 6.5 V	10	-	60	MHz
LCTR input frequency	f_{IN5}	Frequency measurement, sine wave, capacitive coupling, $V_{DD} = 4.5$ to 6.5 V	15	-	500	kHz
		Period measurement, pulse wave DC coupling, $V_{DD} = 4.5$ to 6.5 V	0.001	-	20.0	
Crystal oscillator frequency	f_{XTAL}	Crystal impedance $\leq 50 \Omega$	3.0	7.2	8.0	MHz
LCTR hysteresis width	V_H		$0.1V_{DD}$	-	$0.6V_{DD}$	V
XIN internal resistance	R_{I1}		-	1	-	$M\Omega$
FMIN internal resistance	R_{I2}		-	500	-	$k\Omega$
AMIN internal resistance	R_{I3}		-	500	-	$k\Omega$
HCTR internal resistance	R_{I4}		-	500	-	$k\Omega$
LCTR internal resistance	R_{I5}		-	500	-	$k\Omega$
$\overline{OUT0}$ and $\overline{OUT3}$ to $\overline{OUT6}$ output leakage current	I_{OFF1}	$V_O = 13$ V	-	-	5	μA
DO output leakage current	I_{OFF2}	$V_O = 6.5$ V	-	-	5	μA
SYC output leakage current	I_{OFF3}	$V_O = 6.5$ V	-	-	5	μA
PD1 and PD2 LOW-level leakage current	I_{OFFL}	$V_O = V_{SS}$	-	0.01	10.0	nA
PD1 and PD2 HIGH-level leakage current	I_{OFFH}	$V_O = V_{DD}$	-	0.01	10.0	nA
FMIN and HCTR input capacitance	C_{IN}		1	2	3	pF

Notes

- $f_{IN2} = 10$ to 160 MHz for $V_{IN2} = 0.1$ V (min)
- $f_{IN4} = 10$ to 70 MHz for $V_{IN4} = 0.1$ V (min)

FUNCTIONAL DESCRIPTION

Serial Data Input

The LC7219 and LC7219M are initialized by 36-bit data on the serial data input, DI, after power-on as shown in figure 1 and table 1.

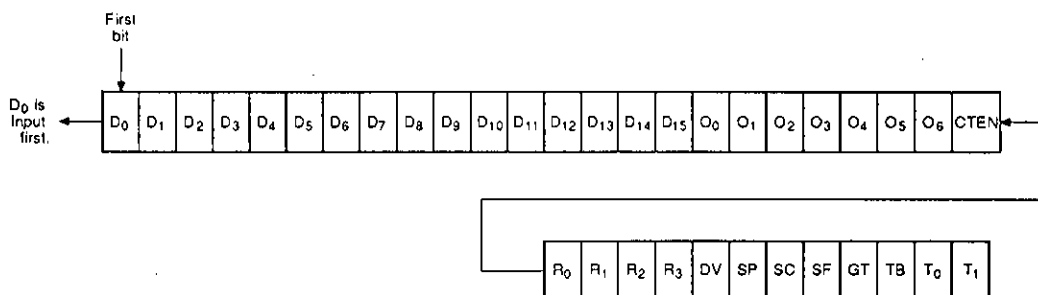


Figure 1. Input data format

Table 1. Input data bits

Bits	Name	Description	Related bits
1 to 16	D ₀ to D ₁₅	Programmable divider ratio D ₁₅ is the msb. The lsb is determined by the setting of the DV and SP flags as shown in table 6. D ₀ to D ₃ are ignored if D ₄ is the lsb.	DV, SP
17 to 23	O ₀ to O ₆	Output port data Data bits O ₀ to O ₆ are latched into the $\overline{OUT0}$ to $\overline{OUT6}$ ports, respectively. When a data bit is 1, the corresponding output pin is LOW, and when 0, HIGH. These outputs can be used for frequency band selection. If TB is 1, the O ₀ bit is ignored and the 8 Hz timebase signal is output on $\overline{OUT0}$.	TB
24	CTEN	General-purpose counter enable When CTEN is 0, the 20-bit general-purpose counter is reset and the HCTR and LCTR inputs are pulled to ground. When the CTEN flag is 1, the counter is enabled and the signal on HCTR or LCTR, selected by SC, is measured. Note that the general-purpose counter output should be transferred to the external controller before CTEN is set to 0.	SC, SF, GT
25 to 28	R ₀ to R ₃	Reference frequency select Bits R ₀ to R ₃ disable the PLL or select the reference frequency as shown in table 2. When the PLL is disabled, the programmable divider is stopped, AMIN and FMIN are pulled to ground, and the charge-pump outputs become high impedance.	
29, 30	DV, SP	Divider select and sensitivity select DV selects the local-oscillator input FMIN or AMIN. SP selects the input frequency range when AMIN is selected as shown in table 6.	
31, 32	SC, SF	General-purpose counter input select and frequency/period measurement select SC selects the general-purpose counter input. SF selects frequency or period measurement when LCTR is selected as shown in table 7. When HCTR is selected, the counter is in frequency measurement mode.	CTEN, GT
33	GT	General-purpose counter time interval select Bit GT selects the measurement time interval or the number of periods to be measured. When GT = 1, then 30 ms or 2 periods are selected, and when GT = 0, 60 ms or 1 period is selected.	CTEN, SC, SF
34	TB	Timebase output enable When TB is 1, the 8 Hz, 40% duty cycle timebase signal is output on $\overline{OUT0}$. The O ₀ bit is ignored.	O ₀
35, 36	T ₀ , T ₁	Test control bits Bits T ₀ to T ₁ are used for device testing and are set to 0 for normal operation.	

The reference frequency is selected by bits R₀ to R₃ as shown in table 2.

Table 2. Reference frequency selection

R ₀	R ₁	R ₂	R ₃	Reference frequency (kHz)
0	0	0	0	100
0	0	0	1	50
0	0	1	0	25
0	0	1	1	25
0	1	0	0	12.5
0	1	0	1	6.25
0	1	1	0	3.125
0	1	1	1	3.125

Table 2. Reference frequency selection—continued

R ₀	R ₁	R ₂	R ₃	Reference frequency (kHz)
1	0	0	0	10
1	0	0	1	9
1	0	1	0	5
1	0	1	1	1
1	1	0	0	PLL inhibit
1	1	0	1	
1	1	1	0	
1	1	1	1	

Serial Data Input Timing

The timing for the serial data input is shown in figure 2. The first four bits, A₀ to A₃, are the mode select bits.

In 36-bit transfer mode, the final data bits are T₀ and T₁, and in 24-bit transfer mode, O₆ and CTEN.

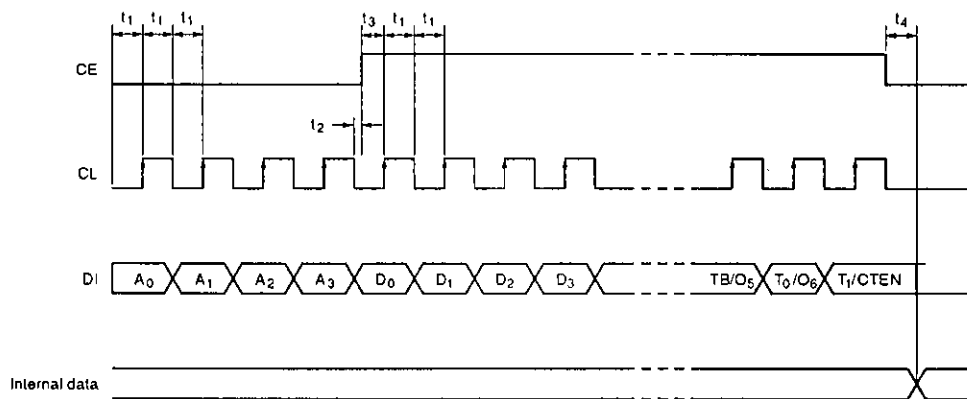


Figure 2. Input timing

Note

$t_1 \geq 1.5 \mu\text{s}$, $t_2 \geq 0 \mu\text{s}$, $t_3 \geq 1.5 \mu\text{s}$, $t_4 < 1.5 \mu\text{s}$

Serial Data Output

The LC7219 and LC7219M both have an internal 28-bit shift register that comprise two bits representing the state of IN0 and IN1 (I₀ and I₁, respectively), a 20-bit general-purpose counter address (C₀ to C₁₉) and unlock flags (UL0 to UL3) as shown in table 3.

The shift register contents are clocked out on DO when the serial data output mode is selected as shown in figure 3.

The internal circuit of outputs DO and $\overline{\text{OUT0}}$ to $\overline{\text{OUT6}}$ are shown in figure 4.

Table 3. Shift register data

Bits	Name	Description
1, 2	I ₀ , I ₁	Input port data I ₀ is the state of IN0, and I ₁ , the state of IN1.
3, 4	—	Invalid
5 to 24	C ₀ to C ₁₉	General-purpose counter value Bits C ₀ to C ₁₉ are the latched value of the 20-bit counter. C ₁₉ is the msb.

Table 3. Shift register data—continued

Bits	Name	Description
25 to 28	UL3 to UL0	PLL unlock status bits Bits UL0 to UL3 are the latched data from the unlock detector circuit. When the phase error exceeds the value for a given bit as shown below for a 7.2 MHz crystal, the bit is set. UL0 is set when $\phi_{ERROR} \geq 1.1 \mu s$ UL1 is set when $\phi_{ERROR} \geq 2.2 \mu s$ UL2 is set when $\phi_{ERROR} \geq 3.3 \mu s$ UL3 is set when $\phi_{ERROR} \geq 0.55 \mu s$

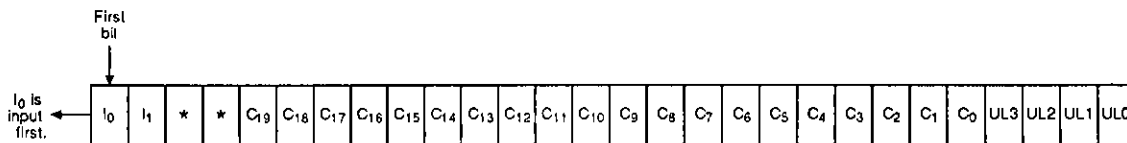


Figure 3. Shift register data format

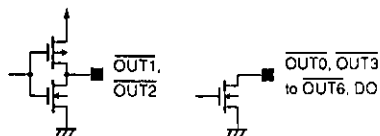


Figure 4. Output driver internal circuits

Serial Data Output Timing

The timing for the serial data output is shown in figure 5. Bits A₀ to A₃ are the mode select bits. When

CE goes HIGH, I₀ is output on DO, and each subsequent data bit is output on the falling edge of CL. CE should be held HIGH for 27 clock cycles to allow all data to be output.

In serial data output mode, DO is forced HIGH when CE goes LOW as shown in figure 5. DO goes LOW when the status of IN₀ changes. In frequency or period measurement modes, DO goes LOW when frequency or period measurement is completed.

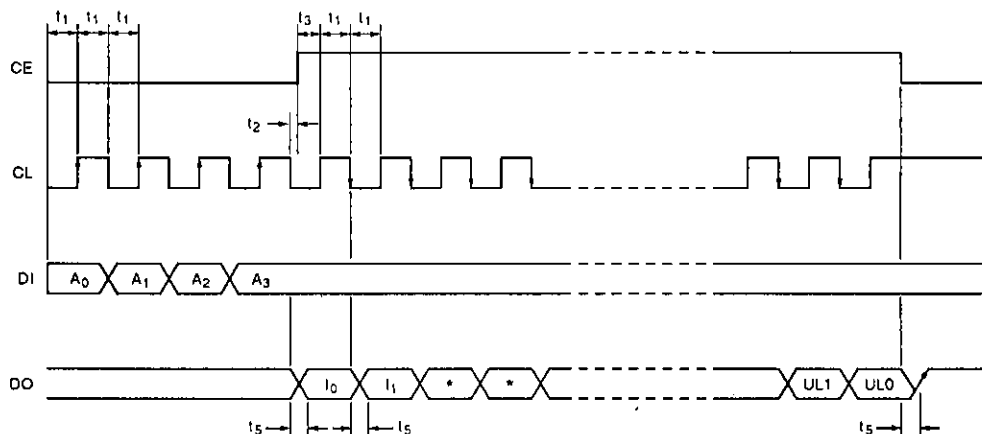


Figure 5. Output timing

Note

$t_1 \geq 1.5 \mu s$, $t_2 \geq 0 \mu s$, $t_3 \geq 1.5 \mu s$, $t_5 < 1.5 \mu s$

Serial Bus Data Transfer

The LC7219 and LC7219M can both transfer data in three different modes—36-bit input data transfer, 24-bit input data transfer and 28-bit output data transfer. The transfer mode is selected by the four data bits on DI immediately prior to CE going HIGH as shown in figure 6 and table 4. These bits are synchronized to the clock and are latched into the mode register on the rising edge of CE.

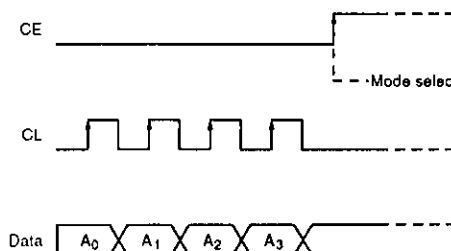


Figure 6. Transfer mode select

Table 4. Mode selection

Mode	A ₃	A ₂	A ₁	A ₀	Description
36-bit serial data input	0	0	0	1	All bits of the control data are clocked in on DI. This mode should be used after power-up to initialize the device. It can also be used to modify the values of bits R ₀ to R ₁ .
24-bit serial data input	0	0	1	0	24 bits of the control data are clocked in on DI. This mode is used to input the programmable divider ratio bits, the output port bits and the general-purpose counter enable bit.
Serial data output	0	0	1	1	Data is output on DO. The data comprises the input data, the general-purpose counter value and the PLL unlock flags.
Illegal	0	0	0	0	Data cannot be transferred.
	0	1	×	×	
	1	0	×	×	
	1	1	×	×	

Note

× = don't care

Programmable Divider

The configuration of the programmable divider is shown in figure 7. Input mode selection is shown in table 5.

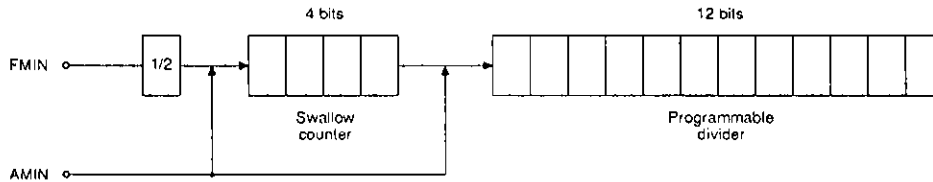


Figure 7. Programmable divider

Table 5. Programmable divider selection

DV	SP	Input frequency range (MHz)	1/2 divider	1/16 and 1/17 pulse swallower	12-bit programmable divider	Input port
1	×	10 to 160	✓	✓	✓	FMIN
0	1	2 to 40	-	✓	✓	AMIN
0	0	0.5 to 10.0	-	-	✓	AMIN

Note

× = don't care

When an FM signal is input on FMIN, the actual divider ratio is double the set ratio. For channel steps of 1, 5 and 9 kHz, a 3.6 MHz crystal should be used. The programmable divider ratio is determined by the setting of the DV and SP bits as shown in table 6.

Table 6. Divider ratio settings

DV	SP	lsb	Set ratio	Actual ratio
1	×	D0	256 to 65535	Twice set ratio
0	1	D0	256 to 65535	Set ratio
0	0	D4	4 to 4096	Set ratio

Note

× = don't care

General-purpose Counter

The 20-bit general-purpose counter is used for both frequency and period measurement as shown in figure 8. The measurement mode is selected by bits SC and SF

as shown in table 7. The counter value is output on DO with the msb first.

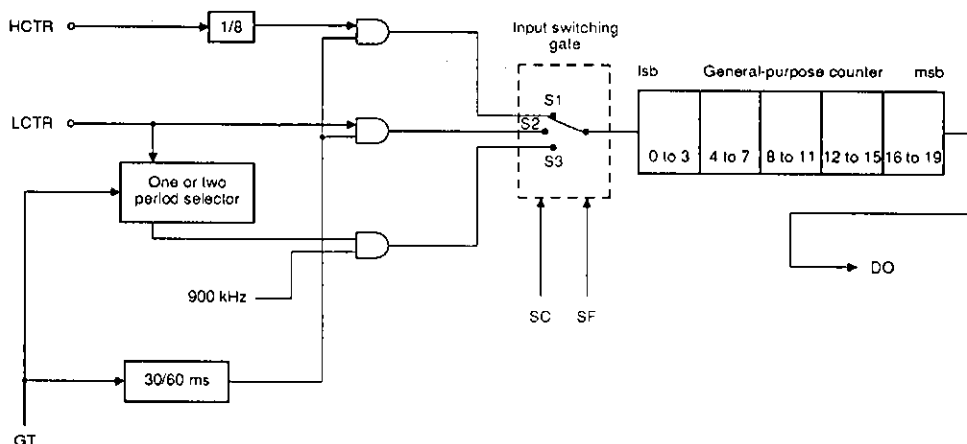


Figure 8. General-purpose counter

Table 7. General-purpose counter mode selection

SC	SF	Input port	Parameter
1	×	HCTR	Frequency measurement (sine wave)
0	1	LCTR	Frequency measurement (sine wave)
0	0	LCTR	Period measurement (pulse wave)

Note

× = don't care

In frequency measurement mode, the input cycles during a 30 or 60 ms interval are counted. Either LCTR or HCTR can be selected as the counter input.

In period measurement mode, LCTR is the single input, and the 900 kHz cycles in one or two periods of the LCTR signal are counted.

The counter starts when the CTEN flag is set. The serial input data is latched in on the falling edge of CE. The input data on HCTR or LCTR should be input within 10 ms of this transition.

The period or frequency measurement count should be read while CTEN is still set to 1, as the counter is reset

by setting CTEN to 0. CTEN should be set to 0 before each measurement.

The LCTR signal is passed directly to the counter input. The HCTR signal is passed through a divide-by-eight prescaler. The actual HCTR frequency is, therefore, eight times the measured frequency.

When the universal counter is used as the IF counter, the state of the IF-IC SD (station detect) signal must be checked by the microcontroller, and the IF counter buffer output turned on only after the SD signals are activated. Auto-search techniques using only the IF counter are not advisable since it is possible that the search can stop incorrectly at a location that does not have a station due to the IF counter buffer output leakage.

DO goes HIGH when the CTEN flag is set to 1, and LOW when frequency or period measurement is completed. DO can be monitored to check for measurement completion. The timing for the general-purpose counter is shown in figure 9.

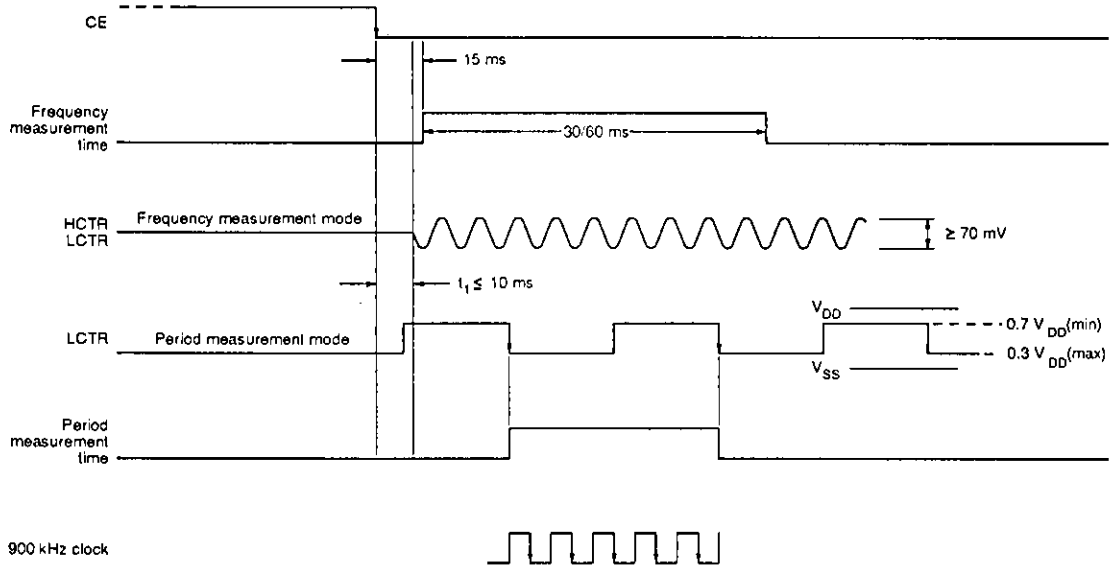


Figure 9. General-purpose counter timing

Using DO to monitor IN0

If the general-purpose counter is not being used and CTEN is 0, DO can be used to monitor changes in the external input signal IN0 as shown in figure 10.

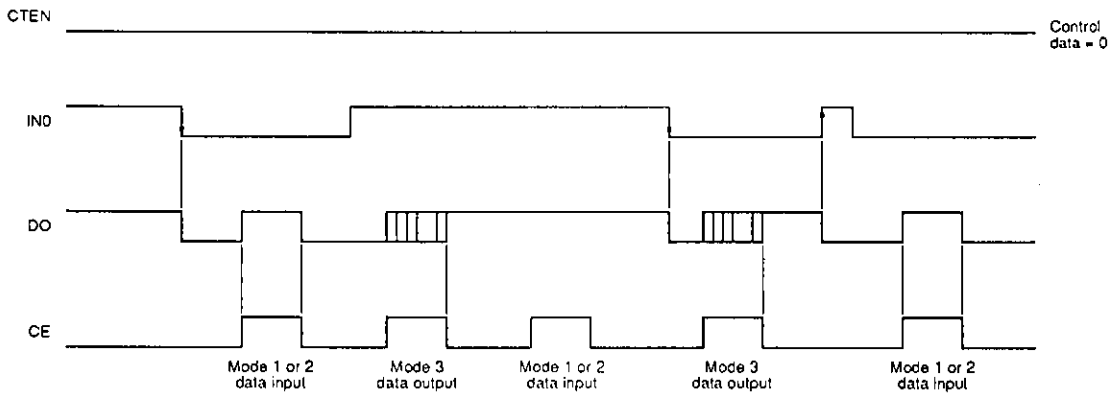


Figure 10. IN0 output monitoring timing

Notes

1. Specify serial data output. DO goes HIGH after data is output on DO and CE goes LOW.
2. DO goes LOW when IN0 changes.

Using DO to monitor for measurement completion

DO can be used to monitor for frequency or period measurement completion as shown in figure 11.

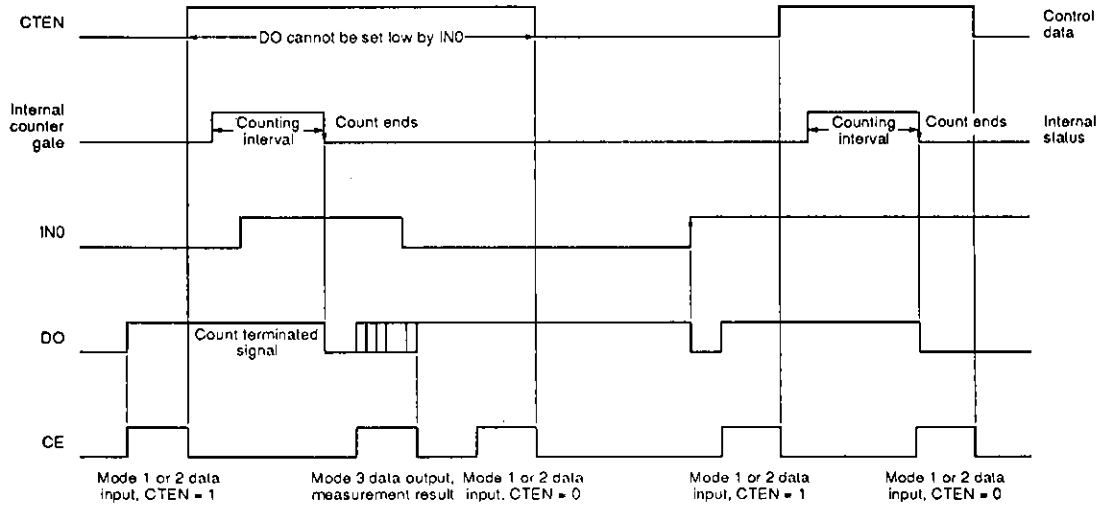


Figure 11. Measurement completion timing

Notes

1. Setting CTEN to 1 sets DO HIGH and prevents IN0 from affecting DO.
2. DO goes LOW when the measurement is complete.

Phase-locked Loop

Reading the PLL unlock flags

The PLL unlock flags are set on the rising edge of the internal ϕ_{ERROR} signal and cleared on the rising edge of the CE signal. In serial data output mode, the flags set since the last rising edge of CE can be read. This is the interval t_0 to t_1 shown in figure 12.

The flag values for different error ranges, where ϕ_{ERROR} is the phase error for the 7.2 MHz crystal, are as follows.

- If $\phi_{ERROR} < 0.55 \mu s$, UL = 0000
- If $0.55 \mu s \leq \phi_{ERROR} < 1.11 \mu s$, UL = 1000
- If $1.11 \mu s \leq \phi_{ERROR} < 2.22 \mu s$, UL = 1001
- If $2.22 \mu s \leq \phi_{ERROR} < 3.33 \mu s$, UL = 1011
- If $3.33 \mu s \leq \phi_{ERROR}$, UL = 1111

Each PLL unlock flag is set if the corresponding time interval is exceeded as follows.

- UL0 is set when $\phi_{ERROR} \geq 1.11 \mu s$
- UL1 is set when $\phi_{ERROR} \geq 2.22 \mu s$
- UL2 is set when $\phi_{ERROR} \geq 3.33 \mu s$
- UL3 is set when $\phi_{ERROR} \geq 0.55 \mu s$

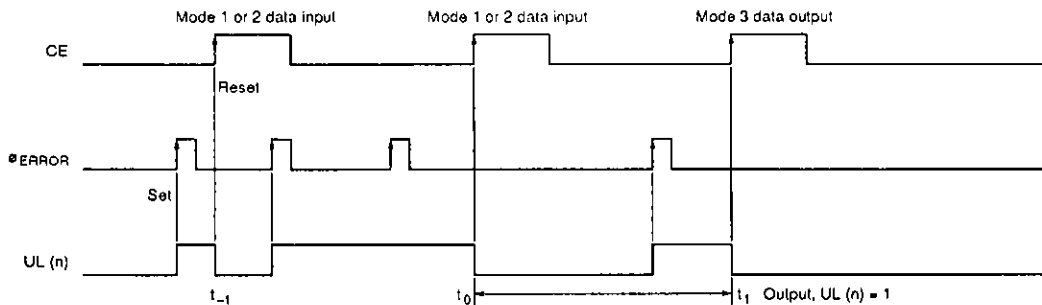


Figure 12. PLL unlock flag timing

APPLICATION NOTES

The recommended crystal oscillator for the LC7219 and LC7219M is the Nihon Dempa Kogyo Co., Ltd. (NDK) LN-X-0702 (NR-18 type) or the LN-P-0001 (AT-51 type). The oscillator is connected as shown in figure 13.

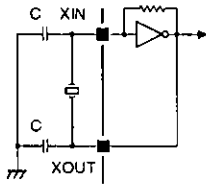


Figure 13. Crystal oscillator connection

The device parameters for crystal oscillator frequencies 3.6 MHz and 7.2 MHz are shown in table 8.

Table 8. Device parameters vs. crystal frequency

Parameter	Crystal frequency	
	7.2 MHz	3.6 MHz
Timebase clock	8 Hz	4 Hz
System clock	400 kHz	200 kHz
Frequency measurement interval	30/60 ms	60/120 ms
Period measurement check signal	900 kHz	450 kHz
Reference frequencies	1 kHz, 5 kHz, 9 kHz, 10 kHz, 25 kHz, 50 kHz, 100 kHz	0.5 kHz, 2.5 kHz, 4.5 kHz, 5 kHz, 12.5 kHz, 25 kHz, 50 kHz
Data input/output timing	$t_1 \geq 1.5 \mu s$, $t_2 \geq 1.5 \mu s$	$t_1 \geq 3 \mu s$, $t_2 \geq 3 \mu s$

TYPICAL APPLICATION

Figure 14 shows a TV/AM/FM system using the IF counting system for electronic tuning.

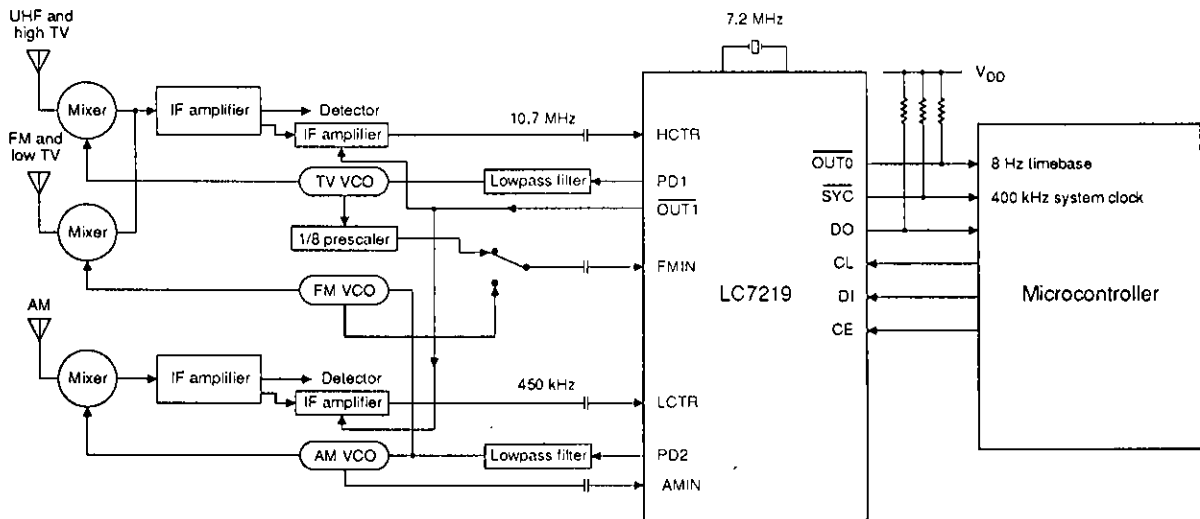


Figure 14. TV/AM/FM system

LC7219, LC7219M

The FMIN, AMIN, HCTR, and LCTR inputs should be capacitively coupled using a capacitor in the range 50 to 100 pF. These coupling capacitors should be as close as possible to their respective inputs to minimize the effects of stray capacitance.

The IF signals measurement should be done after the IF-IC SD (station detect) signal are activated.

The circuit characteristics for each mode, TV, FM and AM, are shown in table 9.

Table 9. Circuit characteristics

Mode	DV	SP	Tuning frequency steps	RF frequency	IF frequency	VCO frequency	PLL reference frequency	Programmable divider ratio
TV	1	×	50 kHz	637.75 MHz (UHF)	10.7 MHz	648.45 MHz	3.125 kHz	12,969
FM	1	×	100 kHz	90 MHz	10.7 MHz	100.7 MHz	50 kHz	1,007
AM	0	0	10 kHz	1,000 kHz	450 kHz	1,450 kHz	10 kHz	145

Note

× = don't care

■ No products described or contained herein are intended for use in surgical implants, life-support systems, aerospace equipment, nuclear power control systems, vehicles, disaster/crime-prevention equipment and the like, the failure of which may directly or indirectly cause injury, death or property loss.

■ Anyone purchasing any products described or contained herein for an above-mentioned use shall:

- ① Accept full responsibility and indemnify and defend SANYO ELECTRIC CO., LTD., its affiliates, subsidiaries and distributors and all their officers and employees, jointly and severally, against any and all claims and litigation and all damages, cost and expenses associated with such use.
- ② Not impose any responsibility for any fault or negligence which may be cited in any such claim or litigation on SANYO ELECTRIC CO., LTD., its affiliates, subsidiaries and distributors or any of their officers and employees jointly or severally.

■ Information (including circuit diagrams and circuit parameters) herein is for example only; it is not guaranteed for volume production. SANYO believes information herein is accurate and reliable, but no guarantees are made or implied regarding its use or any infringements of intellectual property rights or other rights of third parties.