



U.S. Closed Caption Signal Extraction IC

Preliminary

Overview

The LC7456A receives the composite video signal from the V / C (Video Chroma) signal processor and extracts the closed caption data. This data and a clock signal, generated by an on-chip PLL, are then sent to the decoder IC. The LC7456A is a CMOS version of the LA7945 IC also currently in production. The differences between the LA7945 and the LC7456A are a change from Bipolar to CMOS technology, a smaller package size (22 pins to 16 pins), and a reduction in the external circuitry required.

An LC8640XX series microcontroller is needed to perform the decoding after the LC7456A has extracted the caption data from the composite video signal.

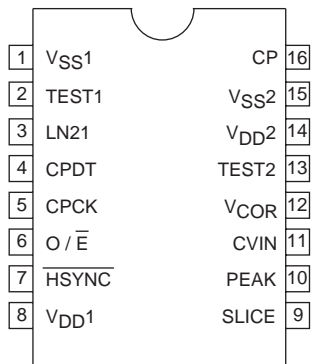
Features

- Low power consumption due to CMOS process
- Accurate caption signal extraction using a built-in pead hold circuit and digital technology.
- Power Requirement : $5V \pm 10\%$
- Package : DIP16

- Any and all SANYO products described or contained herein do not have specifications that can handle applications that require extremely high levels of reliability, such as life-support systems, aircraft's control systems, or other applications whose failure can be reasonably expected to result in serious physical and/or material damage. Consult with your SANYO representative nearest you before using any SANYO products described or contained herein in such applications.
- SANYO assumes no responsibility for equipment failures that result from using products at values that exceed, even momentarily, rated values (such as maximum ratings, operating condition ranges, or other parameters) listed in products specifications of any and all SANYO products described or contained herein.

LC7456A

Pin Arrangement Diagram (DIP16)

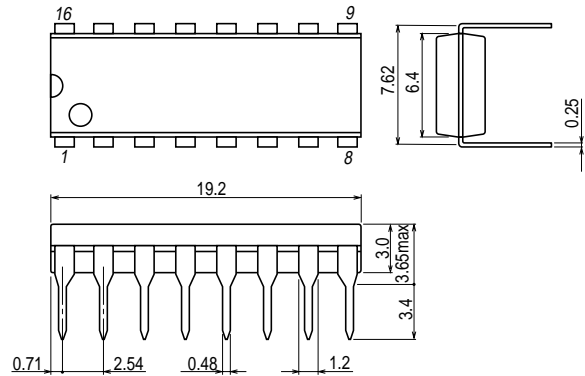


ILC00006

Package Dimensions

unit : mm

3006B

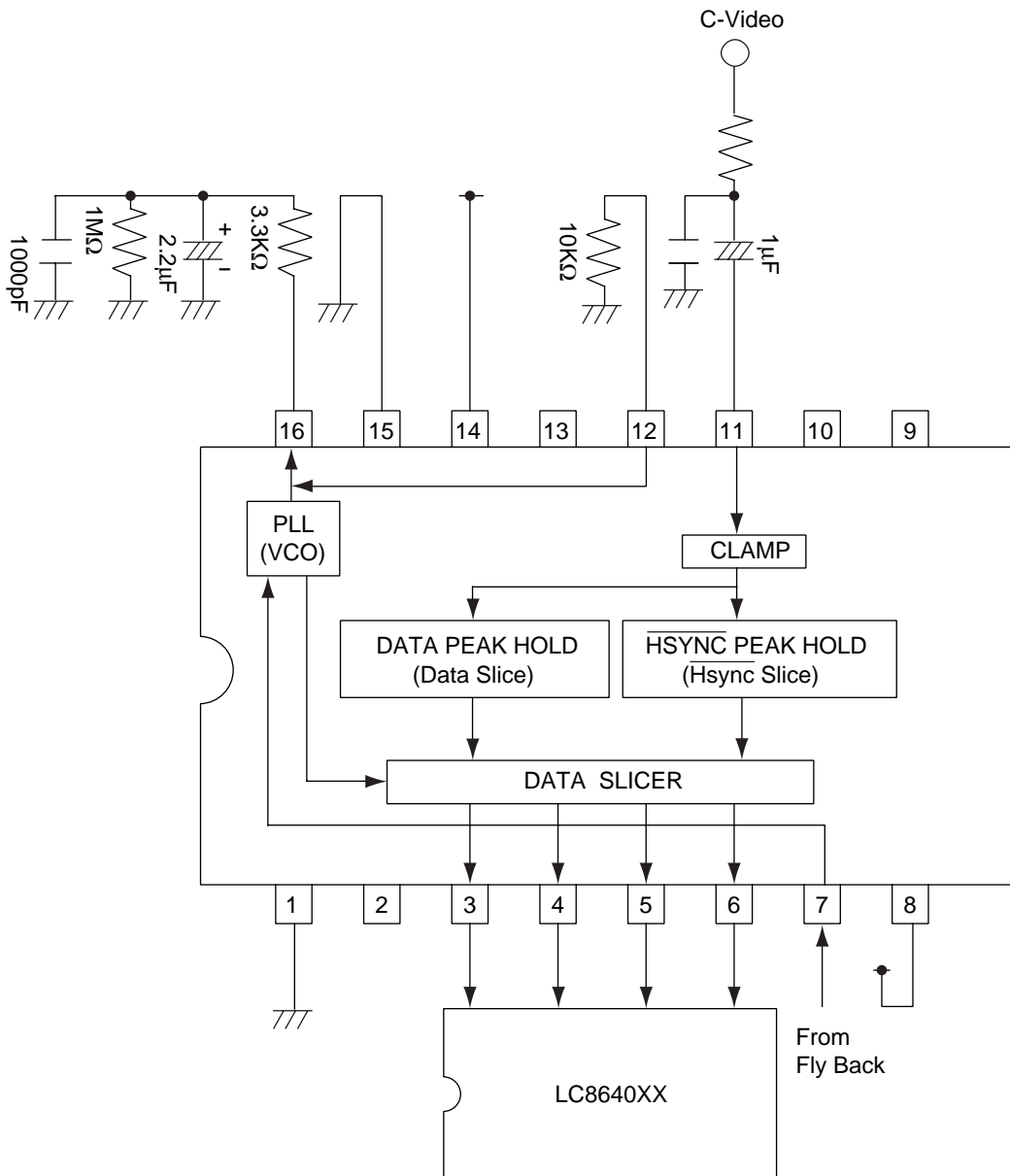


SANYO : DIP16(300mil)

Pin Function

Pin		Function
No.	Name	
1	VSS1	GND
2	TEST1	Test pin, usually open
3	LN21	Line 21H pulse output
4	CPDT	Caption data output
5	CPCK	Caption data latch clock output
6	O/ \bar{E}	Field determination output
7	\overline{HSYNC}	\overline{HSYNC} input
8	VDD1	Power supply
9	SILCE	Caption data slice level output
10	PEAK	Caption data peak hold level output
11	CVIN	Composite video input
12	VCOR	Built-in VCO frequency control pin
13	TEST2	Test pin, usually open
14	VDD2	Power supply
15	VSS2	GND
16	CP	Built-in PLL filter pin

System Block Diagram and Application



ILC00081

LC7456A

1. Absolute Maximum Ratings at $V_{SS}=0V$ and $T_a=25^{\circ}C$

Parameter	Symbol	Pins	Conditions	Ratings			unit
				min.	typ.	max.	
Supply voltage	VDDMAX	VDD1, VDD2	VDD1=VDD2	-0.3		+7.0	V
Input voltage	V _I	HSYNC, CVIN		-0.3		VDD+0.3	
Output voltage	V _O	LN21, CPDT CPCCK, O / \bar{E}		-0.3		VDD+0.3	
Maximum power dissipation	Pdmax	DIP16				300	mW
Operating temperature range	Topr			-30		+70	$^{\circ}C$
Storage temperature range	Tstg			-55		+150	

* VSS1 and VSS2 are same level.

VDD1 and VDD2 are also same level.

2. Recommended Operating Range at $V_{SS}=0V$ and $T_a= -30^{\circ}C$ to $+70^{\circ}C$

Parameter	Symbol	Pins	Conditions	VDD[V]	Ratings			unit
					min.	typ.	max.	
Operating supply voltage	VDD	VDD1, VDD2	VDD1=VDD2		4.5		5.5	V
Input high voltage	V _{IH}	HSYNC		4.5 to 5.5	0.85VDD		VDD	
Input low voltage	V _{IL}	HSYNC		4.5 to 5.5	VSS		0.25VDD	
CVIN analog input range	CVSYNC	CVIN	SYNC-WHITE=1.0V	4.5 to 5.5	1Vp-p-3dB	1Vp-p	1Vp-p+3dB	
HSYNC input frequency range	fH	HSYNC		4.5 to 5.5	15.60	15.73	15.90	KHz

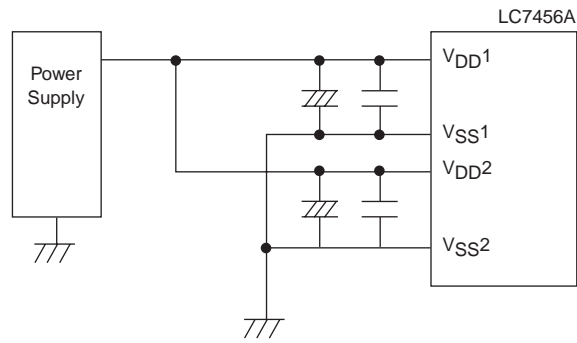
3. Electrical Characteristics at $V_{SS}=0V$ and $T_a= -30^{\circ}C$ to $+70^{\circ}C$

Parameter	Symbol	Pins	Conditions	VDD[V]	Ratings			unit
					min.	typ.	max.	
Input high current	I _{IH}	HSYNC	V _{IN} =VDD	4.5 to 5.5			1	μA
Input low current	I _{IL}	HSYNC	V _{IN} =VSS	4.5 to 5.5	-1			
Output high voltage	V _{OH}	LN21, CPDT CPCCK, O / \bar{E}	I _{OH} = -4mA	4.5 to 5.5	VDD-1.2			V
Output low voltage	V _{OL}	LN21, CPDT CPCCK, O / \bar{E}	I _{OL} =10mA	4.5 to 5.5			1	
Input clamp voltage	VCLMP	CVIN		5.0	2.3	2.5	2.7	

LC7456A

Parameter	Symbol	Pins	Conditions	VDD[V]	Ratings			unit
					min.	typ.	max.	
Clamp input current	CII	CVIN	CVIN=3V	5.0	5	10	18	μA
Clamp output current	COI	CVIN	CVIN=2V	5.0	-120	-70	-30	
Current dissipation	IDD	VDD1,VDD2		4.5 to 5.5		6	15.0	mA

* VDD1 and VSS1 are the power pins for the digital circuits of the LC7456A, and VDD2 and VSS2 for the analog circuits. Connect like the following figure to reduce into the both circuits.



- Specifications of any and all SANYO products described or contained herein stipulate the performance, characteristics, and functions of the described products in the independent state, and are not guarantees of the performance, characteristics, and functions of the described products as mounted in the customer's products or equipment. To verify symptoms and states that cannot be evaluated in an independent device, the customer should always evaluate and test devices mounted in the customer's products or equipment.
- SANYO Electric Co., Ltd. strives to supply high-quality high-reliability products. However, any and all semiconductor products fail with some probability. It is possible that these probabilistic failures could give rise to accidents or events that could endanger human lives, that could give rise to smoke or fire, or that could cause damage to other property. When designing equipment, adopt safety measures so that these kinds of accidents or events cannot occur. Such measures include but are not limited to protective circuits and error prevention circuits for safe design, redundant design, and structural design.
- In the event that any or all SANYO products(including technical data, services) described or contained herein are controlled under any of applicable local export control laws and regulations, such products must not be exported without obtaining the export license from the authorities concerned in accordance with the above law.
- No part of this publication may be reproduced or transmitted in any form or by any means, electronic or mechanical, including photocopying and recording, or any information storage or retrieval system, or otherwise, without the prior written permission of SANYO Electric Co., Ltd.
- Any and all information described or contained herein are subject to change without notice due to product/technology improvement, etc. When designing equipment, refer to the "Delivery Specification" for the SANYO product that you intend to use.
- Information (including circuit diagrams and circuit parameters) herein is for example only ; it is not guaranteed for volume production. SANYO believes information herein is accurate and reliable, but no guarantees are made or implied regarding its use or any infringements of intellectual property rights or other rights of third parties.

This catalog provides information as of December, 2000. Specifications and information herein are subject to change without notice.