

**LC74772V****Camcorder On-Screen Display LSI****Overview**

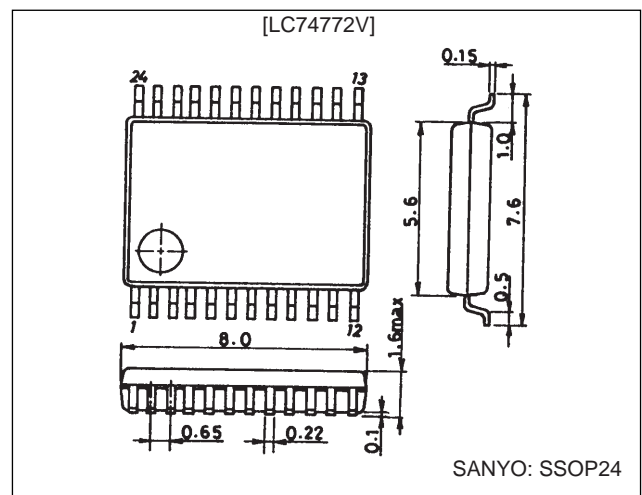
The LC74772V is a CMOS LSI that implements on-screen display for camcorders. It displays characters and patterns in a camcorder viewfinder under microprocessor control. The LC74772V displays a 12 × 18 dot font with 256 characters.

Features

- Screen format: 12 lines ¥ 24 characters (up to 288 characters)
- Number of characters displayed: Up to 288 characters
- Character format: 12 (horizontal) × 18 (vertical) dots
- Number of characters in font: 256 characters
- Character sizes: Normal and double, specified in line units
- Display start position
 - Horizontal: 64 positions
 - Vertical: 64 positions
- Character reverse video function: Individual characters can be displayed in reverse video.
- Types of blinking: Two types with periods of 1.0 and 0.5 seconds, specifiable on a per character basis. (Blinking has a 60% display on duty.) (Four divisors: 1/25, 1/30, 1/50, 1/60)
- Outputs: R, G, B plus 2 output systems
Or: 4 output systems (character data and blanking data: 4 outputs each)
- External control input: 8-bit serial data input format

Package Dimensions

unit: mm

3175A-SSOP24**Specifications****Absolute Maximum Ratings**

Parameter	Symbol	Conditions	Ratings	Unit
Supply voltage	V_{DD}	V_{DD}	$V_{SS} - 0.3$ to $V_{SS} + 7.0$	V
Input voltage	V_{IN}	All input pins	$V_{SS} - 0.3$ to $V_{DD} + 0.3$	V
Output voltage	V_{OUT}	CK _{OUT} , CHA4, BLK4, CHA3, BLK3, B, G, R, BLANK	$V_{SS} - 0.3$ to $V_{DD} + 0.3$	V
Allowable power dissipation	Pd max	T _a = 25°C	300	mW
Operating temperature	T _{opr}		-30 to +70	°C
Storage temperature	T _{stg}		-40 to +125	°C

LC74772V

Allowable Operating Ranges at Ta = -30 to +70°C

Parameter	Symbol	Conditions	Ratings			Unit
			min	typ	max	
Supply voltage	V _{DD}	V _{DD}	2.7	5.0	5.5	V
Input high-level voltage	V _{IH}	CTRL1, TEST _{IN} , CS, SCLK, SIN, OUT _{MOD} , HSYNC, VSYNC, RST	0.8 V _{DD}		V _{DD} + 0.3	V
Input low-level voltage	V _{IL}	CTRL1, TEST _{IN} , CS, SCLK, SIN, OUT _{MOD} , HSYNC, VSYNC, RST	V _{SS} - 0.3		0.2 V _{DD}	V
Oscillator frequency	F _{OSC}	OSC _{IN} , OSC _{OUT} (LC oscillator)	6	(8)	10	MHz

Electrical Characteristics at Ta = -30 to +70°C, unless otherwise specified V_{DD} = 5 V

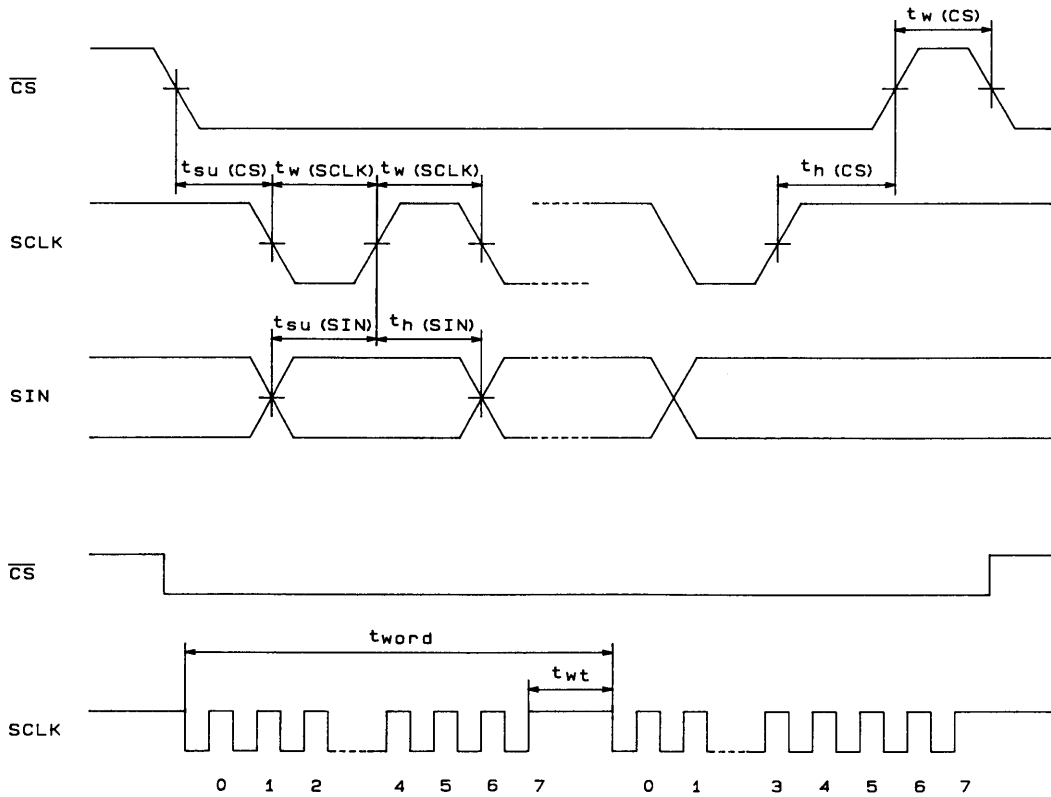
Parameter	Symbol	Conditions	Ratings			Unit
			min	typ	max	
Output high-level voltage	V _{OH}	CK _{OUT} , CHA4, BLK4, CHA3, BLK3, B, G, R, BLANK: V _{DD} = 5.5 to 4.5 V (V _{DD} = 4.4 to 2.7 V), I _{OH} = -1.0 mA (-0.5 mA)	0.9 V _{DD}			V
Output low-level voltage	V _{OL}	CK _{OUT} , CHA4, BLK4, CHA3, BLK3, B, G, R, BLANK: V _{DD} = 5.5 to 4.5 V (V _{DD} = 4.4 to 2.7 V), I _{OL} = 1.0 mA (0.5 mA)			0.1 V _{DD}	V
Input current	I _{IH}	CTRL1, TEST _{IN} , CS, SCLK, SIN, OUT _{MOD} , HSYNC, VSYNC: V _{IN} = V _{DD}			1	μA
	I _{IL}	CTRL1, TEST _{IN} , HSYNC, VSYNC: V _{IN} = V _{SS}	-1			μA
Operating current drain	I _{DD}	V _{DD} pin; all outputs open, LC oscillator: 8 MHz			10	mA

Timing Characteristics at Ta = -30 to +70°C, V_{DD} = 5 ± 0.5 V

Parameter	Symbol	Conditions	Ratings			Unit
			min	typ	max	
Minimum input pulse width	t _{W(SCLK)}	SCLK	200			ns
	t _{W(CS)}	CS (the period that CS is high)	1			μs
Data setup time	t _{SU(CS)}	CS	200			ns
	t _{SU(SIN)}	SIN	200			ns
Data hold time	t _{H(CS)}	CS	2			μs
	t _{H(SIN)}	SIN	200			ns
One-word write time	t _{word}	The time to write 8 bits of data	4.2			μs
	t _{wt}	The RAM data write time	1			μs

LC74772V

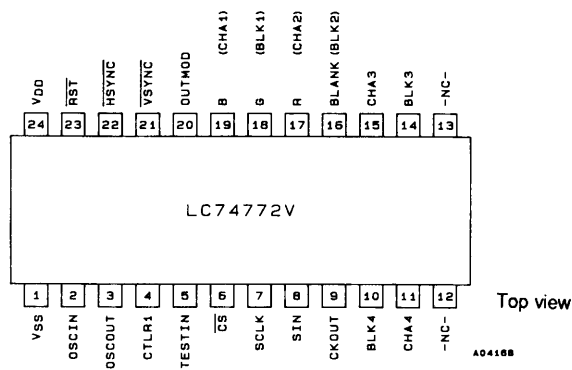
Serial Data Input Timing



A04169

Pin Assignment

The signal names in parentheses indicate the output pin functions when 4-system output mode is used.



A04168

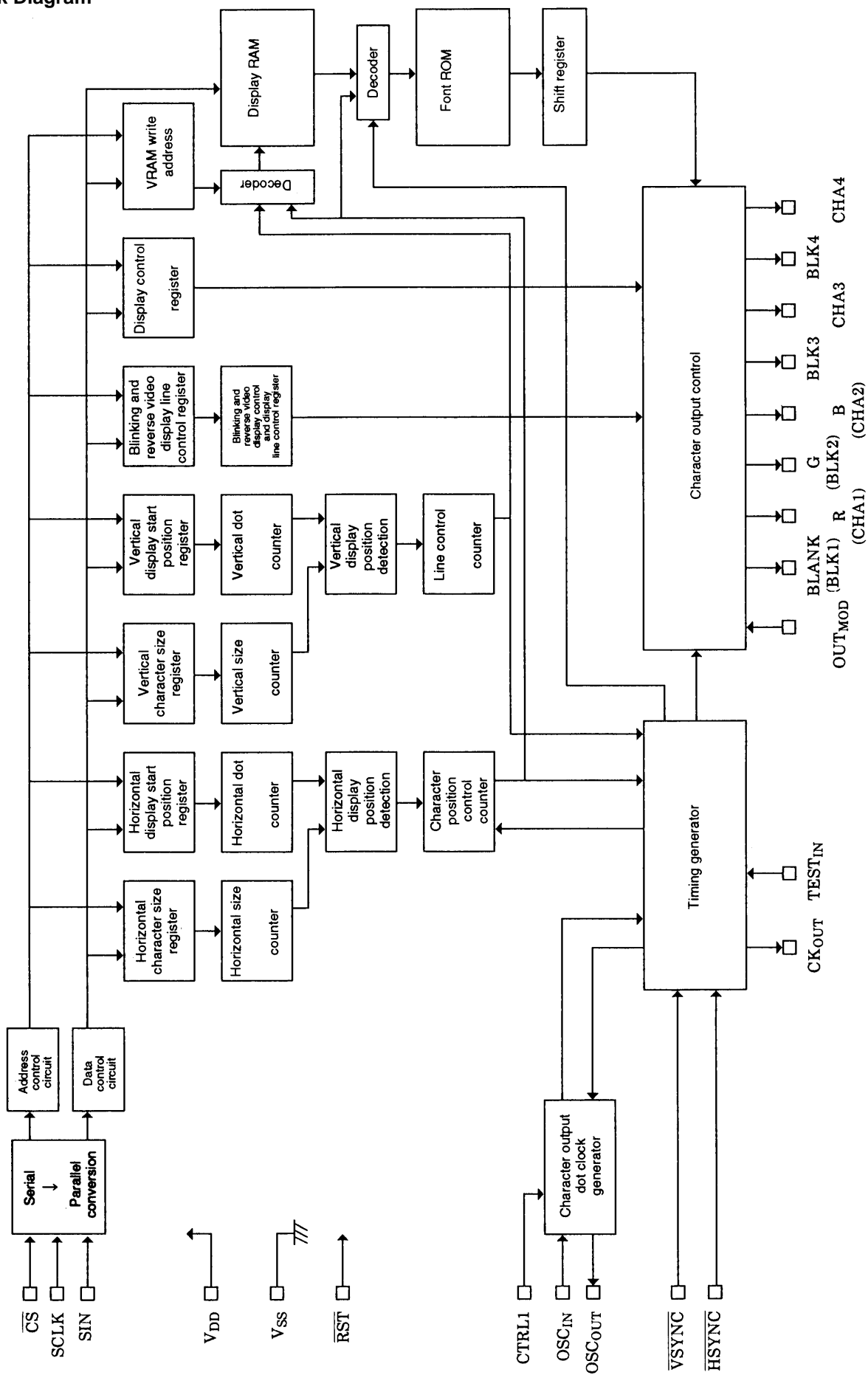
LC74772V

Pin Functions

PinNo.	Symbol	Function	Description
1	V _{SS}	Ground	Ground connection
2	OSC _{IN}	LC oscillator	Connections for the coil and capacitor that form the oscillator that generates the character output horizontal dot clock.
3	OSC _{OUT}		
4	CTRL1	Clock input control	Control input that switches between LC oscillator mode and clock input mode Low: LC oscillator mode, high: clock input mode
5	TEST _{IN}	Test control input	Test mode control input (The IC operates in test mode when this input is high.)
6	$\overline{\text{CS}}$	Enable input	Serial data input enable input Low: active (This input has hysteresis characteristics.)
7	SCLK	Clock input	Serial data input clock input (This input has hysteresis characteristics.)
8	SIN	Data input	Serial data input (This input has hysteresis characteristics.)
9	CK _{OUT}	Clock output	LC oscillator clock monitor output This signal is output when RST is low.
10	BLK4	Blanking signal output	Blanking signal output (system 2) Functions as the system 4 blanking data signal output in 4-system mode.
11	CHA4	Character data output	Character data signal output (system 2) Functions as the system 4 character data signal output in 4-system mode.
12	NC	Unused	Must be left open or tied to ground in normal operation.
13	NC	Unused	Must be left open or tied to ground in normal operation.
14	BLK3	Blanking signal output	Blanking signal output (system 1) Functions as the system 3 blanking data signal output in 4-system mode.
15	CHA3	Character data output	Character data signal output (system 1) Functions as the system 3 character data signal output in 4-system mode.
16	BLANK	Blanking signal output	Blanking signal output (blanking signal for RGB output) Functions as the system 2 blanking data signal output in 4-system mode.
17	R	Character data output	Character data (R) signal output Functions as the system 2 character data signal output in 4-system mode.
18	G	Character data output	Character data (G) signal output Functions as the system 1 blanking data signal output in 4-system mode.
19	B	Character data output	Character data (B) signal output Functions as the system 1 character data signal output in 4-system mode.
20	OUT _{MOD}	Output control input	Control input that switches between RGB output and 4-system output Low: RGB output, high 4-system output
21	$\overline{\text{VSYNC}}$	Vertical synchronizing signal input	Vertical synchronizing signal input (This input has hysteresis characteristics.)
22	$\overline{\text{HSYNC}}$	Horizontal synchronizing signal input	Horizontal synchronizing signal input (This input has hysteresis characteristics.)
23	$\overline{\text{RST}}$	Reset input	System reset signal input (This input has hysteresis characteristics.)
24	V _{DD}	Power supply	Power supply connection (+5 V)

Note: 1. Built-in pull-up resistors can be specified for inclusion in the $\overline{\text{CS}}$ (pin 6), SCLK (pin 7), SIN (pin 8), and $\overline{\text{RST}}$ (pin 23) pins as mask options.
2. In clock input mode (when CTRL1 is high), the function that holds the OSC_{IN} (pin 2) pin high during an oscillator reset is stopped.

Block Diagram



Display Control Commands

The display control commands have an 8-bit serial input format. Data is input LSB first.

Display Control Command Table

Command	First byte								Second byte							
	Command code				Data				Data							
	D7	D6	D5	D4	D3	D2	D1	D0	D7	D6	D5	D4	D3	D2	D1	D0
COMMAND 0 System setup 1	0	0	0	0	RST SYS	RAM CLR	OSC STP	TST MOD	—	—	—	—	—	—	—	—
COMMAND 1 System setup 2	0	0	0	1	CSYN MOD	CLK POLT	CLK MOD1	CLK MOD0	—	—	—	—	—	—	—	—
COMMAND 2 Input control setup	0	0	1	0	VSYN POLT	HSYN POLT	DATA FMT	ART FMT	—	—	—	—	—	—	—	—
COMMAND 3 General-purpose port control	0	0	1	1	PORT SET	OUT P11	OUT P10	OUT P9	—	—	—	—	—	—	—	—
COMMAND 4 Display operation control: reverse video and blinking	0	1	0	0	RVS ON	BLK ON	BLK 1	BLK 0	—	—	—	—	—	—	—	—
COMMAND 5 Display control: on/off settings for each output	0	1	0	1	DSP 4	DSP 3	DSP 2	DSP 1	—	—	—	—	—	—	—	—
COMMAND 6 Output control: systems 3 and 4	0	1	1	0	DSPF SL34	DSP RSG	DSP GSG	DSP BSG	—	—	—	—	—	—	—	—
COMMAND 8 Display control: border	1	0	0	0	0	BKC R	BKC G	BKC B	BKO4 F1	BKO4 F0	BKO3 F1	BKO3 F0	BKO2 F1	BKO2 F0	BKO1 F1	BKO1 F0
COMMAND 9 Display start position	1	0	0	1	VP5	VP4	VP3	VP2	VP1	VP0	HP5	HP4	HP3	HP2	HP1	HP0
COMMAND 10 Display line control	1	0	1	0	LN SZ	LN OT4	LN OT3	LN SEL	0	0	LIN 126	LIN 115	LIN 104	LIN 93	LIN 82	LIN 71
COMMAND 11 RAM write address	1	0	1	1	VADR 3	VADR 2	VADR 1	VADR 0	0	0	0	HADR 4	HADR 3	HADR 2	HADR 1	HADR 0
COMMAND 14 Display RAM setup data	1	1	1	BLK	RV	R	G	B	C7	C6	C5	C4	C3	C2	C1	C0

①

②

① Command code: (These 4 bits in the first byte identify the command.)

Command 14 is recognized by the upper 3 bits.

② Command data: (These bits specify the data for each command.)

- For commands 0 through 7, 8 bits of data are read in.
- For commands 8 through 14, 16 bits of data are read in.
- If the command 1 data-9 bit (DATAFMT) was set to 1, after the first byte of a command 14 is read in, the system goes to continuous transfer mode for reading in a series of following bytes.

Note: 1. If the \overline{CS} pin is set high, the command state is set to the command 0 (system control setup) state.

2. If a system reset is executed from the RST pin or by a command reset, the command register is set to 0.

① COMMAND 0 (System control setup 1)

First byte

DA0 to DA7	Register name	Register content		Note
		State	Function	
7	—	0	Command 0 identification code	
6	—	0		
5	—	0		
4	—	0		
3	RST SYS	0	Normal operation	If \overline{CS} is low, the reset is executed, but if \overline{CS} is high this command will be excluded.
		1	System reset	
2	RAM CLR	0	Normal operation	The VRAM clear operation is not executed when the oscillator is stopped.
		1	Normal operation VRAM clear (All data is set to FE (hexadecimal))	
1	OSC STP	0	The LC oscillator operating state is maintained.	Valid when the display is off. VRAM write is not possible when the oscillator is stopped.
		1	The LC oscillator is stopped.	
0	TST MOD	0	Normal operation	Illegal setting. This bit must always be set to 0.
		1	Test mode	

Note: This register is set to 0 on a reset (either by the \overline{RST} pin or by a command reset).

Notes on command settings

- RSTSYS:** A command reset is executed immediately after the data is read.
The reset is cleared by returning the \overline{CS} pin to high to reset this register. The reset is also cleared if this command is executed consecutively or if this register is set to 0.
- RAMCLR:** The RAM can only be erased when display is off. This operation is not executed during display. This operation cannot be executed if the LC oscillator is stopped. Only use this command when the LC oscillator is operating.

 - This command bit is automatically cleared when the RAM erase operation completes.
 - Once the RAM erase command has been read in, the following time is required to complete the operation.
— $T_{clear} = 5 [\mu s] + 4/f_{OSC} (LC\text{-oscillator}) \times 288$
- OSCSTP:** The LC oscillator stop command stops the LC oscillator connected to pins 2 and 3 (OSC_{IN} and OSC_{OUT}). The oscillator stop command is only executed when display is off. It is not executed if display is in progress.

 - In external clock input mode, this command stops the acquisition of that clock signal.
- TSTMOD:** The test mode command is executed if the $TEST_{IN}$ pin (pin 5) is high. This command should not be used by applications in normal operation.

LC74772V

② COMMAND 1 (System control setup 2)

First byte

DA0 to DA7	Register name	Register content			Note															
		State	Function																	
7	—	0	Command 1 identification code																	
6	—	0																		
5	—	0																		
4	—	1																		
3	CSYN MOD	0	HSYNC (pin 22) functions as the horizontal synchronizing signal input		The VSYNC pin (pin 21) must be tied to ground or V_{DD} in composite synchronizing signal input mode.															
		1	HSYNC (pin 22) functions as the composite synchronizing signal input																	
2	CLK POLT	0	The system clock has a positive polarity.		This sets the clock polarity for system operation when pin 2 is used as a clock input.															
		1	The system clock has a negative polarity.																	
1	CLK MOD1	0	<table border="1" style="width: 100%; border-collapse: collapse;"> <thead> <tr> <th>MOD1</th> <th>MOD0</th> <th>Operation</th> </tr> </thead> <tbody> <tr> <td>0</td> <td>0</td> <td>LC oscillator mode</td> </tr> <tr> <td>0</td> <td>1</td> <td>Clock input (1 dot)</td> </tr> <tr> <td>1</td> <td>0</td> <td>Clock input (NTSC)</td> </tr> <tr> <td>1</td> <td>1</td> <td>Clock input (PAL)</td> </tr> </tbody> </table>		MOD1	MOD0	Operation	0	0	LC oscillator mode	0	1	Clock input (1 dot)	1	0	Clock input (NTSC)	1	1	Clock input (PAL)	Valid when the CTRL1 pin (pin 4) is high. The input clock frequency in clock input mode is either 4fsc or the dot clock frequency.
		MOD1	MOD0	Operation																
0	0	LC oscillator mode																		
0	1	Clock input (1 dot)																		
1	0	Clock input (NTSC)																		
1	1	Clock input (PAL)																		
1																				
0	CLK MOD0	0																		
		1																		

③ COMMAND 2 (Input control)

First byte

DA0 to DA7	Register name	Register content			Note
		State	Function		
7	—	0	Command 2 identification code		
6	—	0			
5	—	1			
4	—	0			
3	VSYN POLT	0	The vertical synchronizing signal input polarity is low active.		Sets the pin 21 (VSYNC) signal input polarity.
		1	The vertical synchronizing signal input polarity is high active.		
2	HSYN POLT	0	The horizontal synchronizing signal input polarity is low active.		Sets the pin 22 (HSYNC) signal input polarity.
		1	The horizontal synchronizing signal input polarity is high active.		
1	DATA FMT	0	Data is transferred in 16-bit units.		Sets the COMMAND 14 data transfer format.
		1	Continuous transfers with the upper 8 bits input first and then the lower 8 bits		
0	ATR FMT	0	RV specifies the reverse video display function.		COMMAND-14 Data 11: Valid in RV RGB output mode.
		1	RV specifies system 3 output control.		

Note: This register is set to 0 on a reset (either by the \overline{RST} pin or by a command reset).

LC74772V

④ COMMAND 3 (General-purpose port control)

First byte

DA0 to DA7	Register name	Register content		Note
		State	Function	
7	—	0	Command 3 identification code	
6	—	0		
5	—	1		
4	—	1		
3	PORT SET	0	System 4 functions as a normal character and border outputs.	Controls the pin 10 (BLK4) and pin 11 (CHA4) outputs.
		1	System 4 functions as general-purpose ports.	
2	OUT P11	0	The pin 11 output is set to low.	Sets the output when PORTSET is set to 1.
		1	The pin 11 output is set to high.	
1	OUT P10	0	The pin 10 output is set to low.	Sets the output when PORTSET is set to 1.
		1	The pin 10 output is set to high.	
0	OUT P9	0	The pin 9 output is set to low.	Sets the output for pin 9 during normal operation (other than during a reset).
		1	The pin 9 output is set to high.	

⑤ COMMAND 4 (Display control: reverse video and blinking)

First byte

DA0 to DA7	Register name	Register content			Note															
		State	Function																	
7	—	0	Command 4 identification code																	
6	—	1																		
5	—	0																		
4	—	0																		
3	RVS ON	0	—																	
		1	Characters for which the attribute is specified are displayed in reverse video.																	
2	BLK ON	0	—																	
		1	Characters for which the attribute is specified are displayed blinking.																	
1	BLK1	0	<table border="1" style="width: 100%; border-collapse: collapse;"> <thead> <tr> <th>BLK1</th> <th>BLK0</th> <th>Operation</th> </tr> </thead> <tbody> <tr> <td>0</td> <td>0</td> <td>V × 25 (PAL: 0.5 s)</td> </tr> <tr> <td>0</td> <td>1</td> <td>V × 30 (NTSC: 0.5 s)</td> </tr> <tr> <td>1</td> <td>0</td> <td>V × 50 (PAL: 1.0 s)</td> </tr> <tr> <td>1</td> <td>1</td> <td>V × 60 (NTSC: 1.0 s)</td> </tr> </tbody> </table>		BLK1	BLK0	Operation	0	0	V × 25 (PAL: 0.5 s)	0	1	V × 30 (NTSC: 0.5 s)	1	0	V × 50 (PAL: 1.0 s)	1	1	V × 60 (NTSC: 1.0 s)	The blinking period setting The duty is 60% for all types. Character display on: 60% Character display off: 40% V: Vertical period
		BLK1			BLK0	Operation														
0	0	V × 25 (PAL: 0.5 s)																		
0	1	V × 30 (NTSC: 0.5 s)																		
1	0	V × 50 (PAL: 1.0 s)																		
1	1	V × 60 (NTSC: 1.0 s)																		
1																				
0	BLK0	0																		
		1																		

Note: This register is set to 0 on a reset (either by the \overline{RST} pin or by a command reset).

LC74772V

⑥ COMMAND 5 (Display control: on/off settings for each output system)

First byte

DA0 to DA7	Register name	Register content		Note
		State	Function	
7	—	0	Command 5 identification code	
6	—	1		
5	—	0		
4	—	1		
3	DSP4	0	System 4 output off	Pin 10 (BLK4) and pin 11 (CHA4) output control
		1	System 4 output on	
2	DSP3	0	System 3 output off	Pin 14 (BLK3) and pin 15 (CHA3) output control
		1	System 3 output on	
1	DSP2	0	System 2 output off	Pin 16 (BLK2) and pin 17 (CHA2) output control Invalid in RGB output mode.
		1	System 2 output on	
0	DSP1	0	System 1 (RGB) output off	Pin 18 (BLK1) and pin 19 (CHA1) output control Functions as the RGB output control in RGB output mode.
		1	System 1 (RGB) output on	

⑦ COMMAND 6 (Output control: systems 3 and 4 output control settings)

First byte

DA0 to DA7	Register name	Register content				Note	
		State	Function				
7	—	0	Command 6 identification code				
6	—	1					
5	—	1					
4	—	0					
3	DSPF SL34	0	Sets the system 3 output conditions according to the command described below.			Only system 4 is valid in 4-system output mode. System 4 cannot be set when the general-purpose output port usage is specified.	
		1	Sets the system 4 output conditions according to the command described below.				
2	DSP RSG	0	DSPRSG	DSPGSG	DSPBSG	Output selection	Note: The following registers are set to 1 during a reset. DSPRSG DSPGSG DSPBSG As a result, the "All of R, G, B are output" state is selected during a reset.
		1	0	0	0	Signals other than R, G, B are output.	
1	DSP GSG	0	0	0	1	B is output.	
		1	0	1	0	G is output.	
0	DSP BSG	0	1	0	0	R is output.	
		1	1	0	1	R and B are output.	
		0	1	1	0	R and G are output.	
		1	1	1	1	All of R, G, B are output.	

Note: This register is set to 0 on a reset (either by the $\overline{\text{RST}}$ pin or by a command reset).

LC74772V

⑧ COMMAND 8 (Output control: background color setting: RGB output mode)

First byte

DA0 to DA7	Register name	Register content				Note															
		State	Function																		
7	—	1	Command 8 identification code																		
6	—	0																			
5	—	0																			
4	—	0																			
3		0	—																		
2	BKCR	0	<table border="1"> <thead> <tr> <th>BKCR</th> <th>BKCG</th> <th>BKCB</th> <th>Background color</th> </tr> </thead> <tbody> <tr> <td>0</td> <td>0</td> <td>0</td> <td>Black</td> </tr> <tr> <td>0</td> <td>0</td> <td>1</td> <td>Blue</td> </tr> </tbody> </table>			BKCR	BKCG	BKCB	Background color	0	0	0	Black	0	0	1	Blue	Background color setting in RGB output mode This command is invalid in 4-system output mode. • Invalid when pin 20 (OUT _{MOD}) is high. • Valid when pin 20 (OUT _{MOD}) is low.			
		BKCR	BKCG	BKCB	Background color																
0	0	0	Black																		
0	0	1	Blue																		
1	<table border="1"> <tbody> <tr> <td>0</td> <td>1</td> <td>0</td> <td>Green</td> </tr> <tr> <td>0</td> <td>1</td> <td>1</td> <td>Cyan</td> </tr> <tr> <td>1</td> <td>0</td> <td>0</td> <td>Red</td> </tr> <tr> <td>1</td> <td>0</td> <td>1</td> <td>Magenta</td> </tr> </tbody> </table>			0	1	0	Green	0	1	1	Cyan	1	0	0	Red	1	0		1	Magenta	
0	1	0	Green																		
0	1	1	Cyan																		
1	0	0	Red																		
1	0	1	Magenta																		
1	BKCG	0	<table border="1"> <tbody> <tr> <td>0</td> <td>1</td> <td>0</td> <td>Green</td> </tr> <tr> <td>0</td> <td>1</td> <td>1</td> <td>Cyan</td> </tr> <tr> <td>1</td> <td>0</td> <td>0</td> <td>Red</td> </tr> <tr> <td>1</td> <td>0</td> <td>1</td> <td>Magenta</td> </tr> </tbody> </table>			0	1	0	Green	0	1	1	Cyan	1	0	0	Red		1	0	1
		0	1	0	Green																
0	1	1	Cyan																		
1	0	0	Red																		
1	0	1	Magenta																		
1	<table border="1"> <tbody> <tr> <td>1</td> <td>0</td> <td>0</td> <td>Red</td> </tr> <tr> <td>1</td> <td>0</td> <td>1</td> <td>Magenta</td> </tr> </tbody> </table>			1	0	0	Red	1	0	1	Magenta										
1	0	0	Red																		
1	0	1	Magenta																		
0	BKCB	0	<table border="1"> <tbody> <tr> <td>1</td> <td>1</td> <td>0</td> <td>Yellow</td> </tr> <tr> <td>1</td> <td>1</td> <td>1</td> <td>White</td> </tr> </tbody> </table>			1	1	0	Yellow	1	1	1	White								
		1	1	0	Yellow																
1	1	1	White																		
0	<table border="1"> <tbody> <tr> <td>1</td> <td>1</td> <td>1</td> <td>White</td> </tr> </tbody> </table>			1	1	1	White														
1	1	1	White																		

Second byte

DA0 to DA7	Register name	Register content				Note									
		State	Function												
7	BKO4 F1	0	<table border="1"> <thead> <tr> <th>BKO4F1</th> <th>BKO4F0</th> <th>Operation function</th> </tr> </thead> <tbody> <tr> <td>0</td> <td>0</td> <td>No background or border</td> </tr> <tr> <td>0</td> <td>1</td> <td>Font size (black characters)</td> </tr> </tbody> </table>			BKO4F1	BKO4F0	Operation function	0	0	No background or border	0	1	Font size (black characters)	The system 4 output border setting
		BKO4F1	BKO4F0	Operation function											
0	0	No background or border													
0	1	Font size (black characters)													
1	<table border="1"> <tbody> <tr> <td>0</td> <td>1</td> <td>Border</td> </tr> <tr> <td>1</td> <td>1</td> <td>Areas other than the font (all filled)</td> </tr> </tbody> </table>			0	1	Border	1	1	Areas other than the font (all filled)						
0	1	Border													
1	1	Areas other than the font (all filled)													
6	BKO4 F0	0	<table border="1"> <tbody> <tr> <td>0</td> <td>1</td> <td>Font size (black characters)</td> </tr> <tr> <td>1</td> <td>0</td> <td>Border</td> </tr> </tbody> </table>			0	1	Font size (black characters)	1	0	Border				
		0	1	Font size (black characters)											
1	0	Border													
1	<table border="1"> <tbody> <tr> <td>1</td> <td>1</td> <td>Areas other than the font (all filled)</td> </tr> </tbody> </table>			1	1	Areas other than the font (all filled)									
1	1	Areas other than the font (all filled)													
5	BKO3 F1	0	<table border="1"> <thead> <tr> <th>BKO3F1</th> <th>BKO3F0</th> <th>Operation function</th> </tr> </thead> <tbody> <tr> <td>0</td> <td>0</td> <td>No background or border</td> </tr> <tr> <td>0</td> <td>1</td> <td>Font size (black characters)</td> </tr> </tbody> </table>			BKO3F1	BKO3F0	Operation function	0	0	No background or border	0	1	Font size (black characters)	The system 3 output border setting
		BKO3F1	BKO3F0	Operation function											
0	0	No background or border													
0	1	Font size (black characters)													
1	<table border="1"> <tbody> <tr> <td>0</td> <td>1</td> <td>Font size (black characters)</td> </tr> <tr> <td>1</td> <td>0</td> <td>Border</td> </tr> <tr> <td>1</td> <td>1</td> <td>Areas other than the font (all filled)</td> </tr> </tbody> </table>			0	1	Font size (black characters)	1	0	Border	1	1	Areas other than the font (all filled)			
0	1	Font size (black characters)													
1	0	Border													
1	1	Areas other than the font (all filled)													
4	BKO3 F0	0	<table border="1"> <tbody> <tr> <td>0</td> <td>1</td> <td>Font size (black characters)</td> </tr> <tr> <td>1</td> <td>0</td> <td>Border</td> </tr> </tbody> </table>			0	1	Font size (black characters)	1	0	Border				
		0	1	Font size (black characters)											
1	0	Border													
1	<table border="1"> <tbody> <tr> <td>1</td> <td>1</td> <td>Areas other than the font (all filled)</td> </tr> </tbody> </table>			1	1	Areas other than the font (all filled)									
1	1	Areas other than the font (all filled)													
3	BKO2 F1	0	<table border="1"> <thead> <tr> <th>BKO2F1</th> <th>BKO2F0</th> <th>Operation function</th> </tr> </thead> <tbody> <tr> <td>0</td> <td>0</td> <td>No background or border</td> </tr> <tr> <td>0</td> <td>1</td> <td>Font size (black characters)</td> </tr> </tbody> </table>			BKO2F1	BKO2F0	Operation function	0	0	No background or border	0	1	Font size (black characters)	The system 2 output border setting This command is invalid in RGB output mode. • Invalid when pin 20 (OUT _{MOD}) is low. • Valid when pin 20 (OUT _{MOD}) is high.
		BKO2F1	BKO2F0	Operation function											
0	0	No background or border													
0	1	Font size (black characters)													
1	<table border="1"> <tbody> <tr> <td>0</td> <td>1</td> <td>Font size (black characters)</td> </tr> <tr> <td>1</td> <td>0</td> <td>Border</td> </tr> <tr> <td>1</td> <td>1</td> <td>Areas other than the font (all filled)</td> </tr> </tbody> </table>			0	1	Font size (black characters)	1	0	Border	1	1	Areas other than the font (all filled)			
0	1	Font size (black characters)													
1	0	Border													
1	1	Areas other than the font (all filled)													
2	BKO2 F0	0	<table border="1"> <tbody> <tr> <td>0</td> <td>1</td> <td>Font size (black characters)</td> </tr> <tr> <td>1</td> <td>0</td> <td>Border</td> </tr> </tbody> </table>			0	1	Font size (black characters)	1	0	Border				
		0	1	Font size (black characters)											
1	0	Border													
1	<table border="1"> <tbody> <tr> <td>1</td> <td>1</td> <td>Areas other than the font (all filled)</td> </tr> </tbody> </table>			1	1	Areas other than the font (all filled)									
1	1	Areas other than the font (all filled)													
1	BKO1 F1	0	<table border="1"> <thead> <tr> <th>BKO1F1</th> <th>BKO1F0</th> <th>Operation function</th> </tr> </thead> <tbody> <tr> <td>0</td> <td>0</td> <td>No background or border</td> </tr> <tr> <td>0</td> <td>1</td> <td>Font size</td> </tr> </tbody> </table>			BKO1F1	BKO1F0	Operation function	0	0	No background or border	0	1	Font size	The system 1 or RGB output border setting
		BKO1F1	BKO1F0	Operation function											
0	0	No background or border													
0	1	Font size													
1	<table border="1"> <tbody> <tr> <td>0</td> <td>1</td> <td>Font size</td> </tr> <tr> <td>1</td> <td>0</td> <td>Border</td> </tr> </tbody> </table>			0	1	Font size	1	0	Border						
0	1	Font size													
1	0	Border													
0	BKO1 F0	0	<table border="1"> <tbody> <tr> <td>1</td> <td>0</td> <td>Border</td> </tr> <tr> <td>1</td> <td>1</td> <td>Areas other than the font (all filled)</td> </tr> </tbody> </table>			1	0	Border	1	1	Areas other than the font (all filled)				
		1	0	Border											
1	1	Areas other than the font (all filled)													
1	<table border="1"> <tbody> <tr> <td>1</td> <td>1</td> <td>Areas other than the font (all filled)</td> </tr> </tbody> </table>			1	1	Areas other than the font (all filled)									
1	1	Areas other than the font (all filled)													

Note: This register is set to 0 on a reset (either by the $\overline{\text{RST}}$ pin or by a command reset).

LC74772V

⑨ COMMAND 9 (Display start position setting)

First byte

DA0 to DA7	Register name	Register content		Note
		State	Function	
7	—	1	Command 9 identification code	
6	—	0		
5	—	0		
4	—	1		
3	VP5	0	If VS is the vertical display start position then: $VS = H \times \left(\sum_{n=0}^5 2^n VP_n \right) + 16H$ Where H is horizontal period pulse period.	
		1		
2	VP4	0		
		1		
1	VP3	0		
		1		
0	VP2	0		
		1		

Second byte

DA0 to DA7	Register name	Register content		Note
		State	Function	
7	VP1	0	If VS is the horizontal display start position then: $HS = T_c \times \left(\sum_{n=0}^5 2^n HP_n \right) + 12T_c$ Where T_c is a single period of the LC oscillator connected to pins 2 and 3 (OSC_{IN} and OSC_{OUT}), or: T_c is the period of the input clock (4fsc input) if CTRL1 (pin 4) is high. NTSC mode: 7.159 MHz = 4fsc × 1/2 PAL mode: 7.094 MHz = 4fsc × 2/5	
		1		
6	VP0	0		
		1		
5	HP5	0		
		1		
4	HP4	0		
		1		
3	HP3	0		
		1		
2	HP2	0		
		1		
1	HP1	0		
		1		
0	HP0	0		
		1		

Note: This register is set to 0 on a reset (either by the \overline{RST} pin or by a command reset).

LC74772V

⑩ COMMAND 10 (Display line control)

First byte

DA0 to DA7	Register name	Register content		Note
		State	Function	
7	—	1	Command 10 identification code	
6	—	0		
5	—	1		
4	—	0		
3	LNF SZ	0	—	
		1	Sets the character size.	
2	LNF OT4	0	—	Invalid in general-purpose port mode.
		1	Sets the system 4 display line.	
1	LNF OT3	0	—	Invalid in system 4 output setup mode.
		1	Sets the system 3 display line.	
0	LNF SEL	0	The line specified by the next 6 bits is one of lines 1 to 6.	Controls the line switching specified by the six bits in the second byte.
		1	The line specified by the next 6 bits is one of lines 7 to 12.	

Second byte

DA0 to DA7	Register name	Register content		Note
		State	Function	
7	—	0	—	The character size or display line setting 0: Character size specification = normal Display line specification = off 1: Character size specification = double size Display line specification = on
6	—	0	—	
5	LIN 126	0	Clears the line 6 (12) setting.	
		1	Sets line 6 (12).	
4	LIN 115	0	Clears the line 5 (11) setting.	
		1	Sets line 5 (11).	
3	LIN 104	0	Clears the line 4 (10) setting.	
		1	Sets line 4 (10).	
2	LIN 93	0	Clears the line 3 (9) setting.	
		1	Sets line 3 (9).	
1	LIN 82	0	Clears the line 2 (8) setting.	
		1	Sets line 2 (8).	
0	LIN 71	0	Clears the line 1 (7) setting.	
		1	Sets line 1 (7).	

Note: This register is set to 0 on a reset (either by the $\overline{\text{RST}}$ pin or by a command reset).

LC74772V

⑪ COMMAND 11 (Display RAM write address setting)

First byte

DA0 to DA7	Register name	Register content		Note
		State	Function	
7	—	1	Command 11 identification code	
6	—	0		
5	—	1		
4	—	1		
3	VADR 3	0	The range of the display RAM vertical address (line address) setting is from 0 to B (hexadecimal) (12 lines). Values of C (hexadecimal) or larger are not allowed.	
		1		
2	VADR 2	0		
		1		
1	VADR 1	0		
		1		
0	VADR 0	0		
		1		

Second byte

DA0 to DA7	Register name	Register content		Note
		State	Function	
7	—	0	—	
6	—	0	—	
5	—	0	—	
4	HADR 4	0	The range of the display RAM horizontal address (character address) setting is from 00 to 17 (hexadecimal) (24 characters). Values of 18 (hexadecimal) or larger are not allowed.	
		1		
3	HADR 3	0		
		1		
2	HADR 2	0		
		1		
1	HADR 1	0		
		1		
0	HADR 0	0		
		1		

Note: This register is set to 0 on a reset (either by the $\overline{\text{RST}}$ pin or by a command reset).

LC74772V

⑫ COMMAND 14 (Display RAM setup data)

First byte

DA0 to DA7	Register name	Register content		Note
		State	Function	
7	—	1	Command 14 identification code	
6	—	1		
5	—	1		
4	BLK	0	—	
		1	Blinking character specification	
3	RV	0	—	
		1	Reverse video character specification	
2	R	0	—	
		1	R output specification (system 3 output in 4-system output mode)	
1	G	0	—	
		1	G output specification (system 2 output in 4-system output mode)	
0	B	0	—	
		1	B output specification (system 1 output in 4-system output mode)	

Second byte

DA0 to DA7	Register name	Register content		Note
		State	Function	
7	C7	0	Character code setting There are 256 characters (00 to FF hexadecimal). FE hexadecimal is handled as blank data. Nothing is displayed, whatever the other conditions are set to. FF hexadecimal functions as the transfer termination code for character-code-only continuous transfers. Continuous transfer mode is set up by setting the data 0 bit (DATAFMT) in COMMAND 2 to 1.	
		1		
6	C6	0		
		1		
5	C5	0		
		1		
4	C4	0		
		1		
3	C3	0		
		1		
2	C2	0		
		1		
1	C1	0		
		1		
0	C0	0		
		1		

Note: This register is set to 0 on a reset (either by the $\overline{\text{RST}}$ pin or by a command reset).

Display Screen Organization

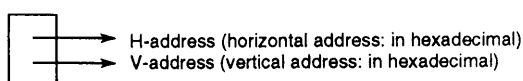
The display screen consists of 12 lines of 24 characters each.

Thus the maximum number of characters that can be displayed is 288 characters.

The display memory address consists of a line address (VADR0, VADR1, VADR2, and VADR3 representing values from 0 to B (hexadecimal)), and a column (character position) address (HADR0, HADR1, HADR2, HADR3, and HADR4 representing values from 0 to 17 (hexadecimal)).

Display Screen Organization (Display memory address)

		24 characters																							
		1	2	3	4	5	6	7	8	9	10	11	12	13	14	15	16	17	18	19	20	21	22	23	24
12 rows	1	00h	01h	02h	03h	04h	05h	06h	07h	08h	09h	0Ah	0Bh	0Ch	0Dh	0Eh	0Fh	10h	11h	12h	13h	14h	15h	16h	17h
		00h	00h	00h	00h	00h	00h	00h	00h	00h	00h	00h	00h	00h	00h	00h	00h	00h	00h	00h	00h	00h	00h	00h	00h
	2	00h	01h	02h	03h	04h	05h	06h	07h	08h	09h	0Ah	0Bh	0Ch	0Dh	0Eh	0Fh	10h	11h	12h	13h	14h	15h	16h	17h
		01h	01h	01h	01h	01h	01h	01h	01h	01h	01h	01h	01h	01h	01h	01h	01h	01h	01h	01h	01h	01h	01h	01h	01h
	3	00h	01h	02h	03h	04h	05h	06h	07h	08h	09h	0Ah	0Bh	0Ch	0Dh	0Eh	0Fh	10h	11h	12h	13h	14h	15h	16h	17h
		02h	02h	02h	02h	02h	02h	02h	02h	02h	02h	02h	02h	02h	02h	02h	02h	02h	02h	02h	02h	02h	02h	02h	02h
	4	00h	01h	02h	03h	04h	05h	06h	07h	08h	09h	0Ah	0Bh	0Ch	0Dh	0Eh	0Fh	10h	11h	12h	13h	14h	15h	16h	17h
		03h	03h	03h	03h	03h	03h	03h	03h	03h	03h	03h	03h	03h	03h	03h	03h	03h	03h	03h	03h	03h	03h	03h	03h
	5	00h	01h	02h	03h	04h	05h	06h	07h	08h	09h	0Ah	0Bh	0Ch	0Dh	0Eh	0Fh	10h	11h	12h	13h	14h	15h	16h	17h
		04h	04h	04h	04h	04h	04h	04h	04h	04h	04h	04h	04h	04h	04h	04h	04h	04h	04h	04h	04h	04h	04h	04h	04h
	6	00h	01h	02h	03h	04h	05h	06h	07h	08h	09h	0Ah	0Bh	0Ch	0Dh	0Eh	0Fh	10h	11h	12h	13h	14h	15h	16h	17h
		05h	05h	05h	05h	05h	05h	05h	05h	05h	05h	05h	05h	05h	05h	05h	05h	05h	05h	05h	05h	05h	05h	05h	05h
7	00h	01h	02h	03h	04h	05h	06h	07h	08h	09h	0Ah	0Bh	0Ch	0Dh	0Eh	0Fh	10h	11h	12h	13h	14h	15h	16h	17h	
	06h	06h	06h	06h	06h	06h	06h	06h	06h	06h	06h	06h	06h	06h	06h	06h	06h	06h	06h	06h	06h	06h	06h	06h	
8	00h	01h	02h	03h	04h	05h	06h	07h	08h	09h	0Ah	0Bh	0Ch	0Dh	0Eh	0Fh	10h	11h	12h	13h	14h	15h	16h	17h	
	07h	07h	07h	07h	07h	07h	07h	07h	07h	07h	07h	07h	07h	07h	07h	07h	07h	07h	07h	07h	07h	07h	07h	07h	
9	00h	01h	02h	03h	04h	05h	06h	07h	08h	09h	0Ah	0Bh	0Ch	0Dh	0Eh	0Fh	10h	11h	12h	13h	14h	15h	16h	17h	
	08h	08h	08h	08h	08h	08h	08h	08h	08h	08h	08h	08h	08h	08h	08h	08h	08h	08h	08h	08h	08h	08h	08h	08h	
10	00h	01h	02h	03h	04h	05h	06h	07h	08h	09h	0Ah	0Bh	0Ch	0Dh	0Eh	0Fh	10h	11h	12h	13h	14h	15h	16h	17h	
	09h	09h	09h	09h	09h	09h	09h	09h	09h	09h	09h	09h	09h	09h	09h	09h	09h	09h	09h	09h	09h	09h	09h	09h	
11	00h	01h	02h	03h	04h	05h	06h	07h	08h	09h	0Ah	0Bh	0Ch	0Dh	0Eh	0Fh	10h	11h	12h	13h	14h	15h	16h	17h	
	0Ah	0Ah	0Ah	0Ah	0Ah	0Ah	0Ah	0Ah	0Ah	0Ah	0Ah	0Ah	0Ah	0Ah	0Ah	0Ah	0Ah	0Ah	0Ah	0Ah	0Ah	0Ah	0Ah	0Ah	
12	00h	01h	02h	03h	04h	05h	06h	07h	08h	09h	0Ah	0Bh	0Ch	0Dh	0Eh	0Fh	10h	11h	12h	13h	14h	15h	16h	17h	
	0Bh	0Bh	0Bh	0Bh	0Bh	0Bh	0Bh	0Bh	0Bh	0Bh	0Bh	0Bh	0Bh	0Bh	0Bh	0Bh	0Bh	0Bh	0Bh	0Bh	0Bh	0Bh	0Bh	0Bh	



- No products described or contained herein are intended for use in surgical implants, life-support systems, aerospace equipment, nuclear power control systems, vehicles, disaster/crime-prevention equipment and the like, the failure of which may directly or indirectly cause injury, death or property loss.
- Anyone purchasing any products described or contained herein for an above-mentioned use shall:
 - ① Accept full responsibility and indemnify and defend SANYO ELECTRIC CO., LTD., its affiliates, subsidiaries and distributors and all their officers and employees, jointly and severally, against any and all claims and litigation and all damages, cost and expenses associated with such use:
 - ② Not impose any responsibility for any fault or negligence which may be cited in any such claim or litigation on SANYO ELECTRIC CO., LTD., its affiliates, subsidiaries and distributors or any of their officers and employees jointly or severally.
- Information (including circuit diagrams and circuit parameters) herein is for example only; it is not guaranteed for volume production. SANYO believes information herein is accurate and reliable, but no guarantees are made or implied regarding its use or any infringements of intellectual property rights or other rights of third parties.

This catalog provides information as of August, 1997. Specifications and information herein are subject to change without notice.