



SANYO Semiconductors

DATA SHEET

An ON Semiconductor Company

LC749402BG — CMOS IC Silicon gate LCD Picture Quality Improvement IC

Overview

LC749402BG is a picture quality improvement IC that processes the output signals to the LCD panel for high picture quality display. This IC performs various picture quality adjustments to provide the ideal correction for the display panel. It can support up to WVGA/SVGA panels. *

Features

(1) Digital input/output

- Digital YCbCr/YPbPr 24bit (4:4:4) or 16bit (4:2:2) or 8bit(ITU-R BT.656) signal input
- Digital RGB 24bit signal input
- Digital RGB 18bit/24bit signal output
- Digital YCbCr16bit (4:2:2)/24bit (4:4:4) signal output

(2) Image quality correction

- Y image quality correction: luminance adjustment, contour correction, CDEX (Color Depth Expander), dynamic- γ , black/white stretch
- C image quality correction: color exciter, flesh tone correction, hue, color gain
- RGB image quality correction: brightness, contrast, white balance, black balance, γ correction

(3) Panel interface

- Built-in panel driver timing controller
- Panel protection timing signal generation
- Backlight control PWM (video adaptive low power consumption processing)

*: The LC749402BG video input should satisfy the following conditions:

40MHz or less operating frequency, 896 dots or less horizontal size, 768 lines or less vertical size.

■ Any and all SANYO Semiconductor Co.,Ltd. products described or contained herein are, with regard to "standard application", intended for the use as general electronics equipment (home appliances, AV equipment, communication device, office equipment, industrial equipment etc.). The products mentioned herein shall not be intended for use for any "special application" (medical equipment whose purpose is to sustain life, aerospace instrument, nuclear control device, burning appliances, transportation machine, traffic signal system, safety equipment etc.) that shall require extremely high level of reliability and can directly threaten human lives in case of failure or malfunction of the product or may cause harm to human bodies, nor shall they grant any guarantee thereof. If you should intend to use our products for applications outside the standard applications of our customer who is considering such use and/or outside the scope of our intended standard applications, please consult with us prior to the intended use. If there is no consultation or inquiry before the intended use, our customer shall be solely responsible for the use.

■ Specifications of any and all SANYO Semiconductor Co.,Ltd. products described or contained herein stipulate the performance, characteristics, and functions of the described products in the independent state, and are not guarantees of the performance, characteristics, and functions of the described products as mounted in the customer's products or equipment. To verify symptoms and states that cannot be evaluated in an independent device, the customer should always evaluate and test devices mounted in the customer's products or equipment.

LSI Specifications

- Supply voltage Core: 1.2V
I/O: 1.8V/2.85V/3.3V
- Maximum operating frequency: 40MHz
- Package: FBGA96

Principal Applications

- LCD display equipment

CDEX (Color Depth Expander)



Original



CDEX

Specifications

Absolute Maximum Ratings at $T_a = 25^\circ\text{C}$, $DV_{SS} = 0\text{V}$, $AV_{SS_OSC} = 0\text{V}$

Parameter	Symbol	Conditions	Ratings	Unit
Maximum supply voltage (I/O)	DV_{DD_IO}		-0.3 to +3.96	V
Maximum supply voltage (core)	DV_{DD_CORE} AV_{DD_OSC}		-0.3 to +1.8	V
Digital input voltage	V_I		-0.3 to $DV_{DD_IO}+0.3$	V
Digital output voltage	V_O		-0.3 to $DV_{DD_IO}+0.3$	V
Operating temperature	T_{opr}		-40 to +85	$^\circ\text{C}$
Storage temperature	T_{stg}		-55 to +125	$^\circ\text{C}$

Allowable Operating Ranges at $T_a = -40$ to $+85^\circ\text{C}$, $DV_{SS} = 0\text{V}$, $AV_{SS_OSC} = 0\text{V}$

Parameter	Symbol	Conditions	Ratings			unit
			min	typ	max	
Supply voltage (I/O)	DV_{DD_IO}		2.6	2.85	3.6	V
			1.7	1.8	1.9	V
Supply voltage (I/O)	DV_{DD_CORE} AV_{DD_OSC}		1.0	1.2	1.3	V
Input voltage range	V_{IN}		0		DV_{DD_IO}	V

LC749402BG

DC Characteristics at $T_a = -40$ to $+85^\circ\text{C}$, $DV_{SS} = 0\text{V}$, $AV_{SS_OSC} = 0\text{V}$,

$DV_{DD_IO} = 1.7\text{V}$ to 1.9V or 2.6V to 3.6V , $DV_{DD_CORE} = 1.0\text{V}$ to 1.3V

Parameter	Symbol	Conditions	Ratings			unit
			min	typ	max	
Input high-level voltage	V_{IH}	CMOS level inputs	$0.7DV_{DD_IO}$			V
		CMOS level Schmitt inputs	$0.7DV_{DD_IO}$			V
Input low-level voltage	V_{IL}	CMOS level inputs			$0.3DV_{DD_IO}$	V
		CMOS level Schmitt inputs			$0.3DV_{DD_IO}$	V
Input high-level current	I_{IH}	$V_I = DV_{DD_IO}$			10	μA
		$V_I = DV_{DD_IO}$, with pull-down resistance			100	μA
Input low-level current	I_{IL}	$V_I = DV_{SS}$	-10			μA
Output high-level voltage	V_{OH}	CMOS voltage: 2.6V to 3.6V Pin D: $I_{OH} = -2\text{mA}$ Pin F: $I_{OH} = -2\text{mA}$ (when set to 2mA) $I_{OH} = -4\text{mA}$ (when set to 4mA) Pin G: $I_{OH} = -4\text{mA}$ (when set to 4mA) $I_{OH} = -8\text{mA}$ (when set to 8mA) Pin H: $I_{OH} = -4\text{mA}$	$DV_{DD_IO} - 0.4$			V
		CMOS voltage: 1.7V to 1.9V Pin D: $I_{OH} = -1\text{mA}$ Pin F: $I_{OH} = -1\text{mA}$ (when set to 2mA) $I_{OH} = -2\text{mA}$ (when set to 4mA) Pin G: $I_{OH} = -2\text{mA}$ (when set to 4mA) $I_{OH} = -4\text{mA}$ (when set to 8mA) Pin H: $I_{OH} = -2\text{mA}$	$DV_{DD_IO} - 0.45$			V
Output low-level voltage	V_{OL}	CMOS			0.4	V
Output leak current	I_{OZ}	At output of high-impedance	-10		10	μA
Pull-down resistor	R_{DN}	Typical conditions: $T_a = 25^\circ\text{C}$ $DV_{DD_IO} = 2.85\text{V}$ $DV_{DD_CORE} = 1.2\text{V}$		98		k Ω
Dynamic supply current	I_{DDOP}	Typical conditions: $T_a = 25^\circ\text{C}$ $DV_{DD_IO} = 2.85\text{V}$ $DV_{DD_CORE} = 1.2\text{V}$ tck=10MHz 10 steps		18		mA
		Typical conditions: $T_a = 25^\circ\text{C}$ $DV_{DD_IO} = 2.85\text{V}$ $DV_{DD_CORE} = 1.2\text{V}$ tck=40MHz 10 steps		57		mA
Static supply current *1	I_{DDST}	Typical conditions: $T_a = 25^\circ\text{C}$ $DV_{DD_IO} = 2.85\text{V}$ $DV_{DD_CORE} = 1.2\text{V}$ Outputs open $V_I = DV_{SS}$ or DV_{DD_IO}		20		μA

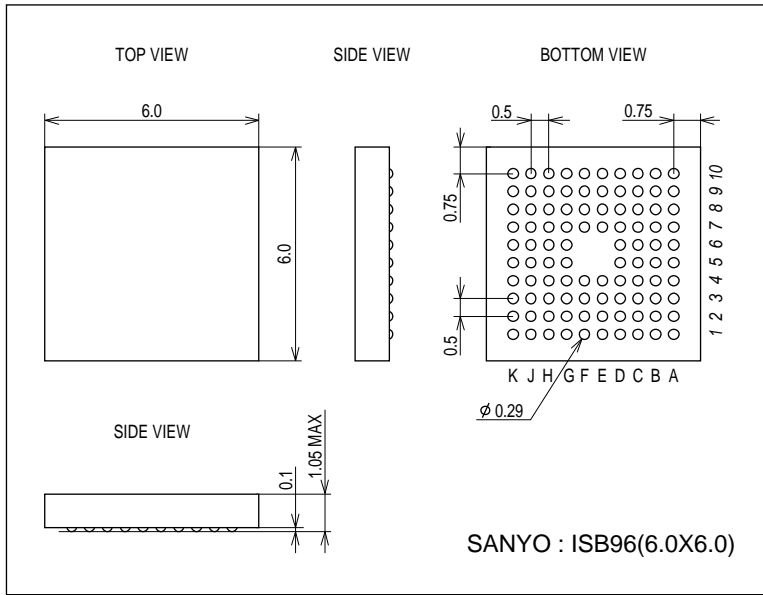
*1: There is a input terminal which builds in pull down resistance. Please note that there is no guarantee about static consumption current depending on circuit composition.

LC749402BG

Package Dimensions FBGA96

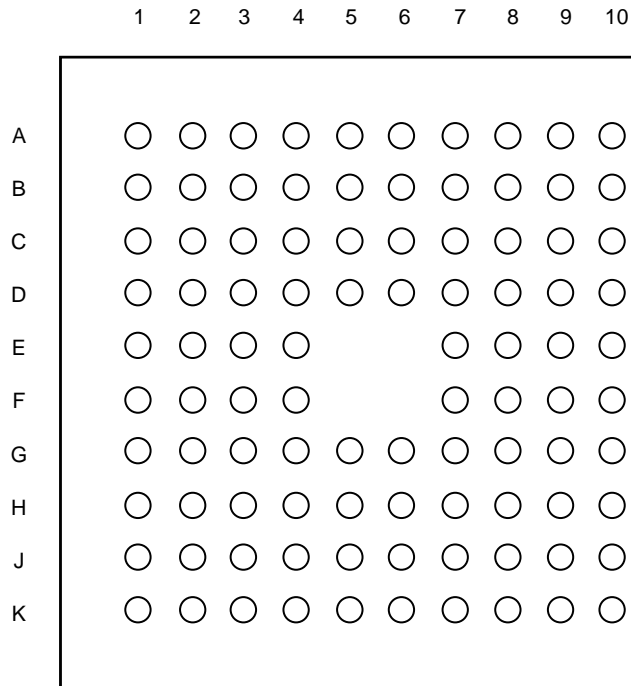
unit:mm (typ)

3387



Pin Assignment

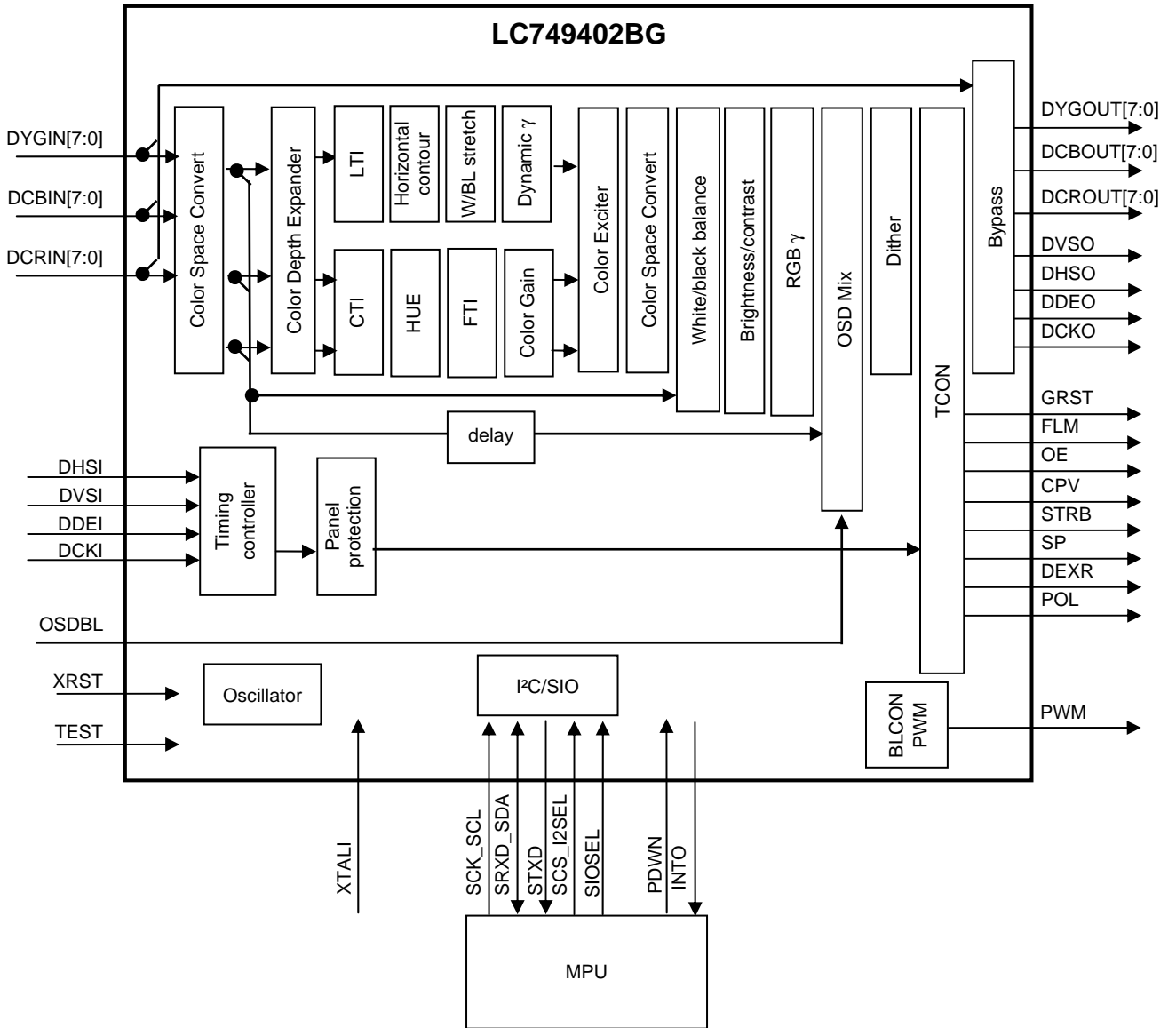
LC749402BG



Top view

LC749402BG

Block Diagram



LC749402BG

Pin Functions

Pin No.	Pin symbol	In/output format		Connecting destination		Remarks
		I/O	Format			
A1	AV _{DD} _OSC	P	-	Core voltage	Analog	Connect this pin to B2 without fail.
A2	STXD	O	D	CMOS	Digital	SIO data
A3	SCK_SCL	I	C	CMOS	Digital	Bus clock (common to SIO and I ² C)
A4	DBOUT7	O	F	CMOS	Digital	B/Cb/C video (MSB)
A5	DBOUT4	O	F	CMOS	Digital	B/Cb/C video
A6	DBOUT1	O	F	CMOS	Digital	B/Cb/C video
A7	DGOUT6	O	F	CMOS	Digital	G/Y video
A8	DGOUT4	O	F	CMOS	Digital	G/Y video
A9	DGOUT3	O	F	CMOS	Digital	G/Y video
A10	DV _{DD} _IO	P	-	IO voltage	Digital	Connect this pin to B9 without fail
B1	RC_BIAS	I	J	resistor	Analog	Bias resistor connection (Connect this pin to GND with a 20kΩ)
B2	AV _{DD} _OSC	P	-	Core voltage	Analog	
B3	SRXD_SDA	I/O	H	CMOS	Digital	SIO data input/I ² C data I/O
B4	PWM	O	D	CMOS	Digital	Pulse width modulation waveform
B5	DBOUT5	O	F	CMOS	Digital	B/Cb/C video
B6	DBOUT2	O	F	CMOS	Digital	B/Cb/C video (6-bit output mode, LSB)
B7	DGOUT7	O	F	CMOS	Digital	G/Y video (MSB)
B8	DGOUT5	O	F	CMOS	Digital	G/Y video
B9	DV _{DD} _IO	P	-	IO voltage	Digital	
B10	DGOUT2	O	F	CMOS	Digital	G/Y video (6-bit output mode, LSB)
C1	DCRIN0	I	C	CMOS	Digital	R/Cr video. Connect this pin to GND when not to be used.
C2	DCRIN1	I	C	CMOS	Digital	R/Cr video. Connect this pin to GND when not to be used.
C3	AV _{SS} _OSC	P	-	GND	Analog	
C4	INTO	O	D	CMOS	Digital	Interrupt
C5	DBOUT6	O	F	CMOS	Digital	B/Cb/C video
C6	DBOUT3	O	F	CMOS	Digital	B/Cb/C video
C7	DBOUT0	O	F	CMOS	Digital	B/Cb/C video (8-bit output mode, LSB)
C8	DV _{DD} _IO	P	-	IO voltage	Digital	
C9	DGOUT1	O	F	CMOS	Digital	G/Y video
C10	DGOUT0	O	F	CMOS	Digital	G/Y video (8-bit output mode, LSB)
D1	DCRIN2	I	C	CMOS	Digital	R/Cr video. Connect this pin to GND when not to be used.
D2	DCRIN3	I	C	CMOS	Digital	R/Cr video. Connect this pin to GND when not to be used.
D3	DCRIN4	I	C	CMOS	Digital	R/Cr video. Connect this pin to GND when not to be used.
D4	TEST	I	B	CMOS	Digital	Test (Normally, connect this pin to GND)
D5	XRST	I	A	CMOS	Digital	System reset ("L" reset)
D6	DV _{DD} _IO	P	-	IO voltage	Digital	
D7	DV _{DD} _IO	P	-	IO voltage	Digital	
D8	DROUT7	O	F	CMOS	Digital	R/Cr video (MSB)
D9	DROUT6	O	F	CMOS	Digital	R/Cr video
D10	DROUT5	O	F	CMOS	Digital	R/Cr video

Continued on next page.

LC749402BG

Continued from preceding page.

Pin No.	Pin symbol	In/output format		Connecting destination		Remarks
		I/O	Format			
E1	DCRIN5	I	C	CMOS	Digital	R/Cr video. Connect this pin to GND when not to be used.
E2	DCRIN6	I	C	CMOS	Digital	R/Cr video. Connect this pin to GND when not to be used.
E3	DCRIN7	I	C	CMOS	Digital	R/Cr video (MSB). Connect this pin to GND when not to be used.
E4	DV _{SS}	P	-	GND	Digital	
E7	PDWN	I	A	CMOS	Digital	"H" power down. Connect this pin to GND when not to be used.
E8	DROUT4	O	F	CMOS	Digital	R/Cr video
E9	DROUT3	O	F	CMOS	Digital	R/Cr video
E10	DROUT2	O	F	CMOS	Digital	R/Cr video (6-bit output mode, LSB)
F1	DYGIN0	I	C	CMOS	Digital	G/Y/656 video (LSB). Connect this pin to GND when not to be used.
F2	DYGIN1	I	C	CMOS	Digital	G/Y/656 video. Connect this pin to GND when not to be used.
F3	DYGIN2	I	C	CMOS	Digital	G/Y/656 video. Connect this pin to GND when not to be used.
F4	DV _{SS}	P	-	GND	Digital	
F7	DV _{DD_CORE}	P	-	Core voltage	Digital	
F8	DROUT1	O	F	CMOS	Digital	R/Cr video
F9	DROUT0	O	F	CMOS	Digital	R/Cr video (8-bit output mode, LSB)
F10	DCKO	O	G	CMOS	Digital	Video clock
G1	DYGIN3	I	C	CMOS	Digital	G/Y/656 video. Connect this pin to GND when not to be used.
G2	DYGIN4	I	C	CMOS	Digital	G/Y/656 video. Connect this pin to GND when not to be used.
G3	DYGIN5	I	C	CMOS	Digital	G/Y/656 video. Connect this pin to GND when not to be used.
G4	DV _{SS}	P	-	GND	Digital	
G5	SCS_I2SEL	I	A	CMOS	Digital	SIO chip enable/I ² C slave address switching
G6	SIOSEL	I	C	CMOS	Digital	"L": I ² C slave, "H": 4-wire SIO
G7	DV _{DD_CORE}	P	-	Core voltage	Digital	
G8	DHSO/SP2	O	F	CMOS	Digital	Horizontal synchronizing signal/start pulse signal for source driver
G9	DVSO/FLM2	O	F	CMOS	Digital	Vertical synchronizing signal/start pulse signal for gate driver
G10	DDEO	O	F	CMOS	Digital	Data enable signal
H1	DYGIN6	I	C	CMOS	Digital	G/Y/656 video. Connect this pin to GND when not to be used.
H2	DYGIN7	I	C	CMOS	Digital	G/Y/656 video (MSB). Connect this pin to GND when not to be used.
H3	DV _{SS}	P	-	GND		
H4	DCBIN6	I	C	CMOS	Digital	B/Cb/C video. Connect this pin to GND when not to be used.
H5	DVSI	I	C	CMOS	Digital	Vertical synchronizing signal
H6	OSDBL	I	C	CMOS	Digital	Data enable signal for external OSD. Connect this pin to GND when not to be used.
H7	FLM	O	F	CMOS	Digital	Start pulse signal for gate driver
H8	DV _{DD_CORE}	P	-	Core voltage	Digital	
H9	DEXR	O	F	CMOS	Digital	Reversed video signal output for DTR. Low output when the DTR is OFF.
H10	POL	O	F	CMOS	Digital	Voltage polarity selection signal for source driver

Continued on next page.

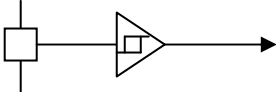
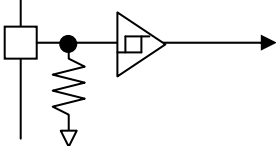
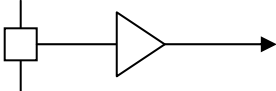
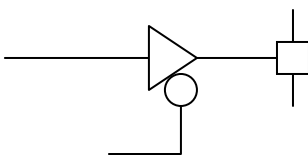
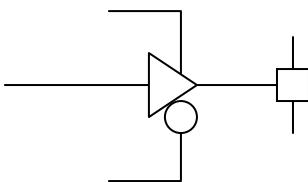
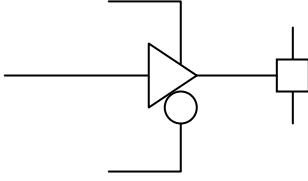
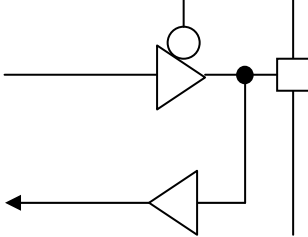
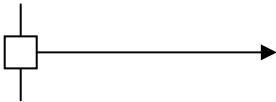
LC749402BG

Continued from preceding page.

Pin No.	Pin symbol	In/output format		Connecting destination		Remarks
		I/O	Format			
J1	DCBIN0	I	C	CMOS	Digital	B/Cb/C video (LSB). Connect to GND when not to be used.
J2	DV _{SS}	P	-	GND	Digital	
J3	DCBIN3	I	C	CMOS	Digital	B/Cb/C video. Connect this pin to GND when not to be used.
J4	DCBIN5	I	C	CMOS	Digital	B/Cb/C video. Connect this pin to GND when not to be used.
J5	DDEI	I	C	CMOS	Digital	Data enable signal, Connect this pin to GND in the internal generation mode
J6	DHSI	I	C	CMOS	Digital	Horizontal synchronizing signal
J7	GRST	O	F	CMOS	Digital	Reset signal for gate driver
J8	CPV	O	F	CMOS	Digital	Clock signal for gate driver
J9	DV _{DD_CORE}	P	-	Core voltage	Digital	
J10	SP	O	F	CMOS	Digital	Start pulse signal for source driver
K1	DV _{SS}	P	-	GND	Analog	Connect this pin to J2 without fail
K2	DCBIN1	I	C	CMOS	Digital	B/Cb/C video. Connect this pin to GND when not to be used.
K3	DCBIN2	I	C	CMOS	Digital	B/Cb/C video. Connect this pin to GND when not to be used.
K4	DCBIN4	I	C	CMOS	Digital	B/Cb/C video. Connect this pin to GND when not to be used.
K5	DCBIN7	I	C	CMOS	Digital	B/Cb/C video (MSB). Connect this pin to GND when not to be used.
K6	DCKI	I	C	CMOS	Digital	Video clock
K7	XTAL1	I	C	CMOS	Digital	Panel protection, PWM generation clock. Connect this pin to GND when not to be used.
K8	OE	O	F	CMOS	Digital	Output enable signal for gate driver
K9	STRB	O	F	CMOS	Digital	Data strobe signal for source driver
K10	DV _{DD_CORE}	P	-	Core voltage	Digital	Connect this pin to J9 without fail

LC749402BG

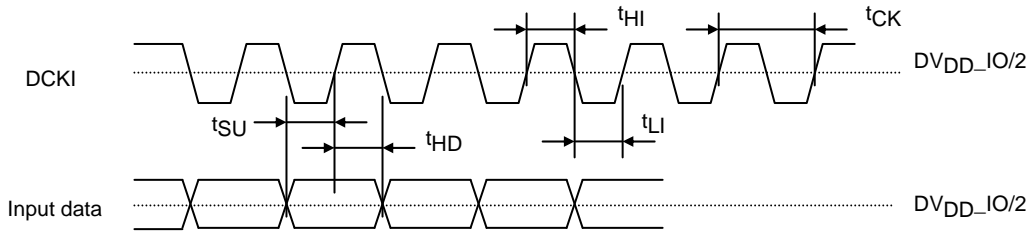
Pin Type

In/Output form	Function	Equivalent circuit	Application Terminal
A	Schmitt trigger CMOS input		XRST, PDWN, SCS_I2SEL
B	CMOS input with built-in pull-down resistor		TEST
C	CMOS input		SCK_SCL, SIOSEL, DVSI, DHSI, DDEI, OSDBL, DYGIN7, DYGIN6, DYGIN5, DYGIN4, DYGIN3, DYGIN2, DYGIN1, DYGIN0, DCBIN7, DCBIN6, DCBIN5, DCBIN4, DCBIN3, DCBIN2, DCBIN1, DCBIN0, DCRIN7, DCRIN6, DCRIN5, DCRIN4, DCRIN3, DCRIN2, DCRIN1, DCRIN0
D	2mA 3-STATE drive CMOS output		STXD, PWM, INTO
F	2mA/4mA switching 3-STATE drive CMOS output		DBOUT7, DBOUT6, DBOUT5, DBOUT4, DBOUT3, DBOUT2, DBOUT1, DBOUT0, DROUT7, DROUT6, DROUT5, DROUT4, DROUT3, DROUT2, DROUT1, DROUT0 DGOUT7, DGOUT6, DGOUT5, DGOUT4, DGOUT3, DGOUT2, DGOUT1, DGOUT0, DHSO/SP2, DVSO/FLM2, DDEO FLM, DEXR, POL, GRST, CPV, SP, OE, STRB
G	4mA/8mA switching 3-STATE drive CMOS output		DCKO
H	4mA 3-STATE drive CMOS input/output		SRXD_SDA
J	Analog input/output		RC_BIAS

LC749402BG

I/O Timing

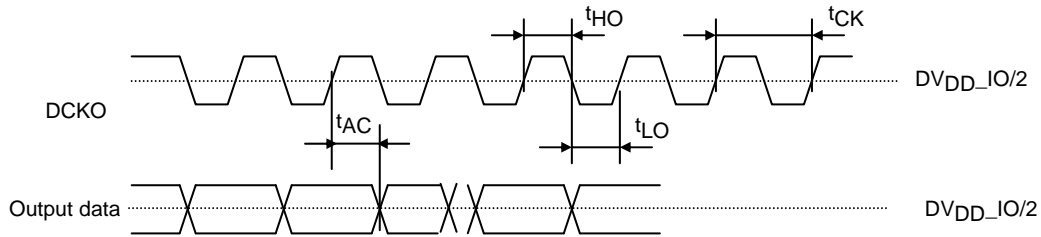
(1) Input data timing



Pin name	Parameter	Symbol	min	typ	max	unit
DCKI	Clock cycle	t_{CK}	25			ns
	Duty			50		%
DCRIN*, DYGIN*, DCBIN*, DVSI, DHSI, DDEI, OSDBL	Input data setup time ($DV_{DD_IO}=2.6$ to $3.6V$)	t_{SU}	3			ns
	Input data setup time ($DV_{DD_IO}=1.7$ to $1.9V$)	t_{SU}	3			ns
	Input data hold time ($DV_{DD_IO}=2.6$ to $3.6V$)	t_{HD}	2			ns
	Input data hold time ($DV_{DD_IO}=1.7$ to $1.9V$)	t_{HD}	2			ns

*: The recommended duty cycle of input clock is 50%

(2) Output data timing



Pin name	Parameter	Symbol	min	typ	max	unit
DCKO	Clock cycle	t_{CK}	25			ns
	Duty			50		%
DROUT*, DGOUT*, DBOUT*, DVSO, DHSO, DDEO, DEXR, POL, SP, STRB, CPV, OE, FLM, GRST	Output data delay time ($DV_{DD_IO}=2.6$ to $3.6V$) Pin F: when set to 4mA Pin G: when set to 8mA	t_{AC}	-3		3	ns
	Output data delay time ($DV_{DD_IO}=2.6$ to $3.6V$) Pin F: when set to 2mA Pin G: when set to 4mA	t_{AC}	-3		6	ns
	Output data delay time ($DV_{DD_IO}=1.7$ to $1.9V$) Pin F: when set to 4mA Pin G: when set to 8mA	t_{AC}	-5		4	ns
	Output data delay time ($DV_{DD_IO}=1.7$ to $1.9V$) Pin F: when set to 2mA Pin G: when set to 4mA	t_{AC}	-6		9	ns

* When DCKO is set to the forward rotation output. Output load capacity: 5pF

- SANYO Semiconductor Co.,Ltd. assumes no responsibility for equipment failures that result from using products at values that exceed, even momentarily, rated values (such as maximum ratings, operating condition ranges, or other parameters) listed in products specifications of any and all SANYO Semiconductor Co.,Ltd. products described or contained herein.
- SANYO Semiconductor Co.,Ltd. strives to supply high-quality high-reliability products, however, any and all semiconductor products fail or malfunction with some probability. It is possible that these probabilistic failures or malfunction could give rise to accidents or events that could endanger human lives, trouble that could give rise to smoke or fire, or accidents that could cause damage to other property. When designing equipment, adopt safety measures so that these kinds of accidents or events cannot occur. Such measures include but are not limited to protective circuits and error prevention circuits for safe design, redundant design, and structural design.
- In the event that any or all SANYO Semiconductor Co.,Ltd. products described or contained herein are controlled under any of applicable local export control laws and regulations, such products may require the export license from the authorities concerned in accordance with the above law.
- No part of this publication may be reproduced or transmitted in any form or by any means, electronic or mechanical, including photocopying and recording, or any information storage or retrieval system, or otherwise, without the prior written consent of SANYO Semiconductor Co.,Ltd.
- Any and all information described or contained herein are subject to change without notice due to product/technology improvement, etc. When designing equipment, refer to the "Delivery Specification" for the SANYO Semiconductor Co.,Ltd. product that you intend to use.
- Information (including circuit diagrams and circuit parameters) herein is for example only; it is not guaranteed for volume production.
- Upon using the technical information or products described herein, neither warranty nor license shall be granted with regard to intellectual property rights or any other rights of SANYO Semiconductor Co.,Ltd. or any third party. SANYO Semiconductor Co.,Ltd. shall not be liable for any claim or suits with regard to a third party's intellectual property rights which has resulted from the use of the technical information and products mentioned above.

This catalog provides information as of January, 2010. Specifications and information herein are subject to change without notice.