

LC75836W

CMOS IC

1/4-Duty General-Purpose LCD Display Driver



ON Semiconductor®

<http://onsemi.com>

Overview

The LC75836W is 1/4-duty general-purpose microprocessor-controlled LCD driver that can be used in applications such as frequency display in products with electronic tuning. In addition to being able to drive up to 140 segments directly, the LC75836W can also control up to 4 general-purpose output ports.

Features

- 1/4 duty, 1/3 bias drive (Up to 140 segment can be displayed.)
- Serial data input supports CCB* format communication with the system controller (support 3V operation).
- Serial data control of the power-saving mode based backup function and the all segments forced off function.
- Serial data control of switching between the segment output port and general-purpose output port functions.
- Serial data control of the frame frequency of the common and segment output waveforms.
- Either RC oscillator operating or external clock operating mode can be selected with the serial control data.
- High generality, since display data is displayed directly without the intervention of a decoder circuit.
- The INH pin allows the display to be forced to the off state.
- RC oscillation circuit (with external resistor and capacitor)

- CCB is ON Semiconductor® 's original format. All addresses are managed by ON Semiconductor® for this format.

- CCB is a registered trademark of Semiconductor Components Industries, LLC.

LC75836W

Specifications

Absolute Maximum Ratings at $T_a = 25^\circ\text{C}$, $V_{SS} = 0\text{V}$

Parameter	Symbol	Conditions	Ratings	Unit
Maximum supply voltage	$V_{DD\text{ max}}$	V_{DD}	-0.3 to +7.0	V
Input voltage	V_{IN1}	CE, CL, DI, $\overline{\text{INH}}$	-0.3 to +7.0	V
	V_{IN2}	OSC, V_{DD1} , V_{DD2}	-0.3 to $V_{DD}+0.3$	
Output voltage	V_{OUT}	S1 to S35, COM1 to COM4, P1 to P4, OSC	-0.3 to $V_{DD}+0.3$	V
Output current	I_{OUT1}	S1 to S35	300	μA
	I_{OUT2}	COM1 to COM4	3	
	I_{OUT3}	P1 to P4	5	
Allowable power dissipation	P_{dmax}	$T_a=85^\circ\text{C}$	100	mW
Operating temperature	T_{opr}		-40 to +85	$^\circ\text{C}$
Storage temperature	T_{stg}		-55 to +125	$^\circ\text{C}$

Stresses exceeding Maximum Ratings may damage the device. Maximum Ratings are stress ratings only. Functional operation above the Recommended Operating Conditions is not implied. Extended exposure to stresses above the Recommended Operating Conditions may affect device reliability.

Allowable Operating Ranges at $T_a = -40$ to $+85^\circ\text{C}$, $V_{SS} = 0\text{V}$

Parameter	Symbol	Conditions	Ratings			Unit
			min	typ	max	
Supply voltage	V_{DD}	V_{DD}	4.5		6.0	V
Input voltage	V_{DD1}	V_{DD1}		$2/3V_{DD}$	V_{DD}	V
	V_{DD2}	V_{DD2}		$1/3V_{DD}$	V_{DD}	
Input high-level voltage	V_{IH1}	CE, CL, DI, $\overline{\text{INH}}$	$0.4V_{DD}$		6.0	V
	V_{IH2}	OSC external clock operating mode	$0.4V_{DD}$		V_{DD}	
Input low-level voltage	V_{IL1}	CE, CL, DI, $\overline{\text{INH}}$	0		$0.2V_{DD}$	V
	V_{IL2}	OSC external clock operating mode	0		$0.2V_{DD}$	
Recommended external resistor for RC oscillation	R_{osc}	OSC RC oscillator operating mode		39		k Ω
Recommended external capacitor for RC oscillation	C_{osc}	OSC RC oscillator operating mode		1000		pF
Guaranteed range of RC oscillation	f_{osc}	OSC RC oscillator operating mode	19	38	76	kHz
External clock operating frequency	f_{CK}	OSC external clock operating mode [Figure 4]	19	38	76	kHz
External clock duty cycle	D_{CK}	OSC external clock operating mode [Figure 4]	30	50	70	%
Data setup time	t_{ds}	CL, DI [Figure 2][Figure 3]	160			ns
Data hold time	t_{dh}	CL, DI [Figure 2][Figure 3]	160			ns
CE wait time	t_{cp}	CE, CL [Figure 2][Figure 3]	160			ns
CE setup time	t_{cs}	CE, CL [Figure 2][Figure 3]	160			ns
CE hold time	t_{ch}	CE, CL [Figure 2][Figure 3]	160			ns
High-level clock pulse width	$t_{\phi H}$	CL [Figure 2][Figure 3]	160			ns
Low-level clock pulse width	$t_{\phi L}$	CL [Figure 2][Figure 3]	160			ns
Rise time	t_r	CE, CL, DI [Figure 2][Figure 3]		160		ns
Fall time	t_f	CE, CL, DI [Figure 2][Figure 3]		160		ns
$\overline{\text{INH}}$ switching time	t_c	$\overline{\text{INH}}$, CE [Figure 5]	10			μs

LC75836W

Electrical Characteristics for the Allowable Operating Ranges

Parameter	Symbol	Pin	Conditions	Ratings			Unit
				min	typ	max	
Hysteresis	V_H	CE, CL, DI, \overline{INH}			$0.03V_{DD}$		V
Input high-level current	I_{IH1}	CE, CL, DI, \overline{INH}	$V_I = 6.0V$			5.0	μA
	I_{IH2}	OSC	$V_I = V_{DD}$ external clock operating mode			5.0	
Input low-level current	I_{IL1}	CE, CL, DI, \overline{INH}	$V_I = 0V$	-5.0			μA
	I_{IL2}	OSC	$V_I = 0V$ external clock operating mode	-5.0			
Output high-level voltage	V_{OH1}	S1 to S35	$I_O = -20\mu A$	$V_{DD}-0.9$			V
	V_{OH2}	COM1 to COM4	$I_O = -100\mu A$	$V_{DD}-0.9$			
	V_{OH3}	P1 to P4	$I_O = -1mA$	$V_{DD}-0.9$			
Output low-level voltage	V_{OL1}	S1 to S35	$I_O = 20\mu A$			0.9	V
	V_{OL2}	COM1 to COM4	$I_O = 100\mu A$			0.9	
	V_{OL3}	P1 to P4	$I_O = 1mA$			0.9	
Output middle-level voltage *1	V_{MID1}	S1 to S35	1/3 bias $I_O = \pm 20\mu A$	$2/3V_{DD}$ -0.9		$2/3V_{DD}$ +0.9	V
	V_{MID2}	S1 to S35	1/3 bias $I_O = \pm 20\mu A$	$1/3V_{DD}$ -0.9		$1/3V_{DD}$ +0.9	
	V_{MID3}	COM1 to COM4	1/3 bias $I_O = \pm 100\mu A$	$2/3V_{DD}$ -0.9		$2/3V_{DD}$ +0.9	
	V_{MID4}	COM1 to COM4	1/3 bias $I_O = \pm 100\mu A$	$1/3V_{DD}$ -0.9		$1/3V_{DD}$ +0.9	
Oscillator frequency	fosc	OSC	RC oscillator operating mode $R_{osc} = 39\text{ k}\Omega$, $C_{osc} = 1000\text{ pF}$	30.4	38	45.6	kHz
Current drain	I_{DD1}	V_{DD}	Power-saving mode			5	μA
	I_{DD2}	V_{DD}	$V_{DD} = 6.0V$ output open RC oscillator operating mode fosc = 38kHz		350	700	
	I_{DD3}	V_{DD}	$V_{DD} = 6.0V$ output open External clock operating mode f _{CK} = 38kHz $V_{IH2} = 0.5V_{DD}$ $V_{IL2} = 0.1V_{DD}$		450	900	

Note: *1 Excluding the bias voltage generation divider resistors built in the V_{DD1} and V_{DD2} . (See Figure 1.)

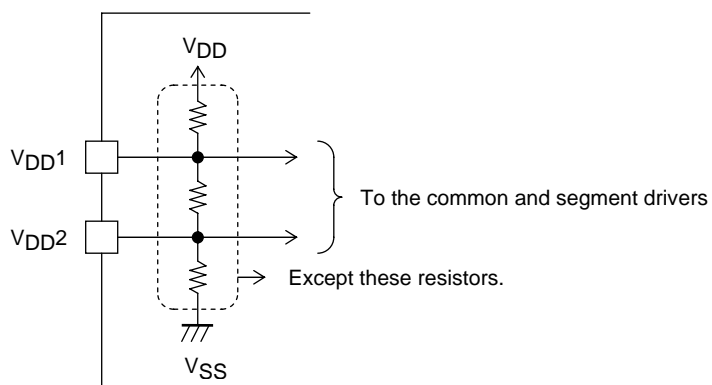


Figure 1

1. When CL is stopped at the low level

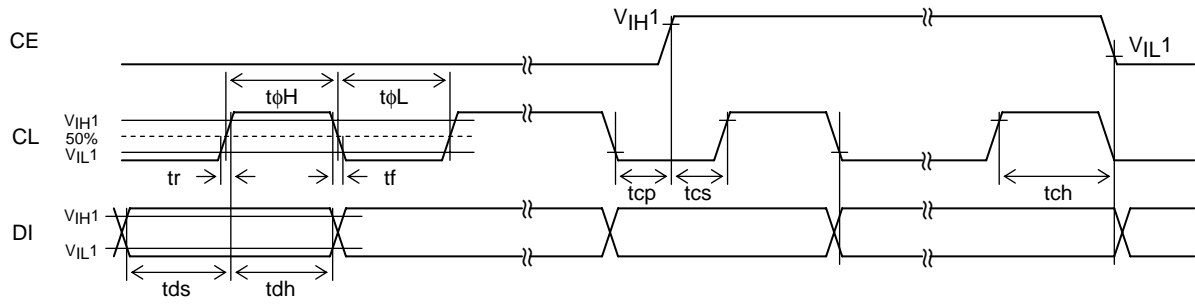


Figure 2

2. When CL is stopped at the high level

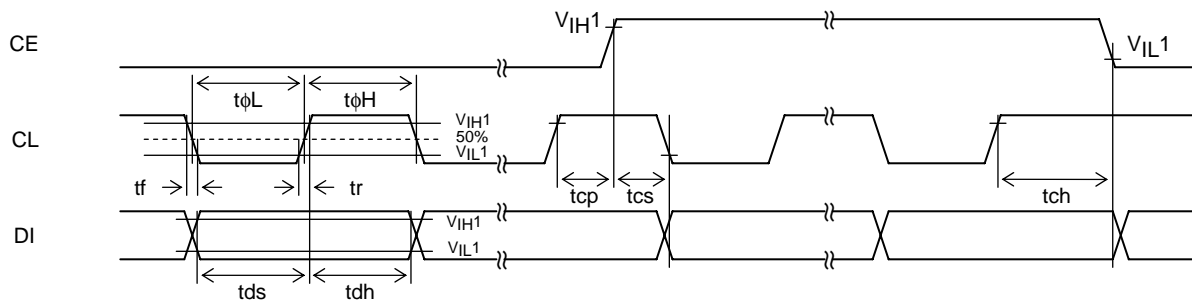
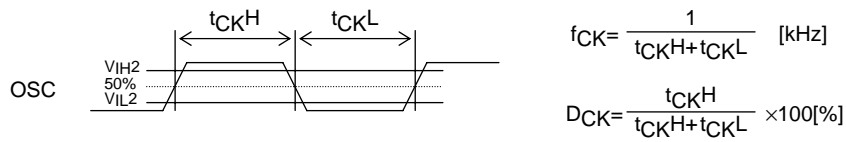


Figure 3

3. OSC pin clock timing in external clock operating mode



$$f_{CK} = \frac{1}{t_{CKH} + t_{CKL}} \text{ [kHz]}$$

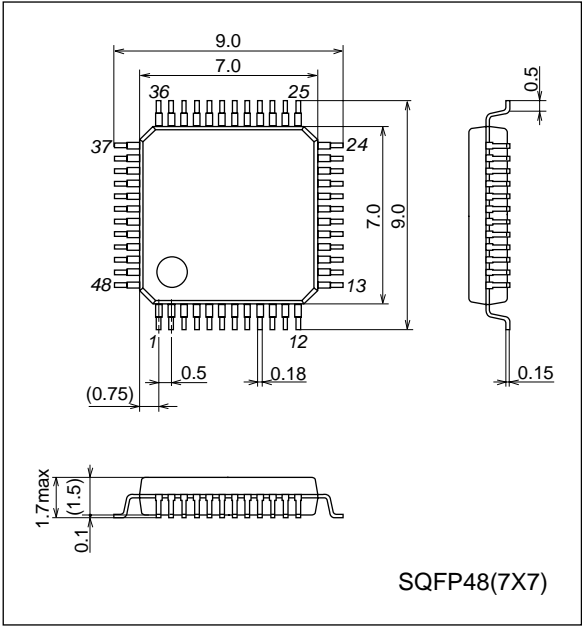
$$D_{CK} = \frac{t_{CKH}}{t_{CKH} + t_{CKL}} \times 100\%$$

Figure 4

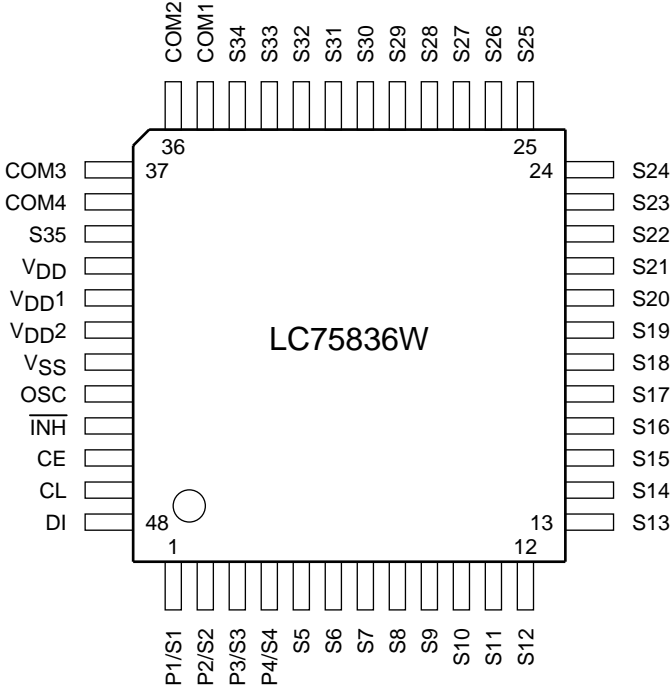
LC75836W

Package Dimensions

unit : mm (typ)
3163B

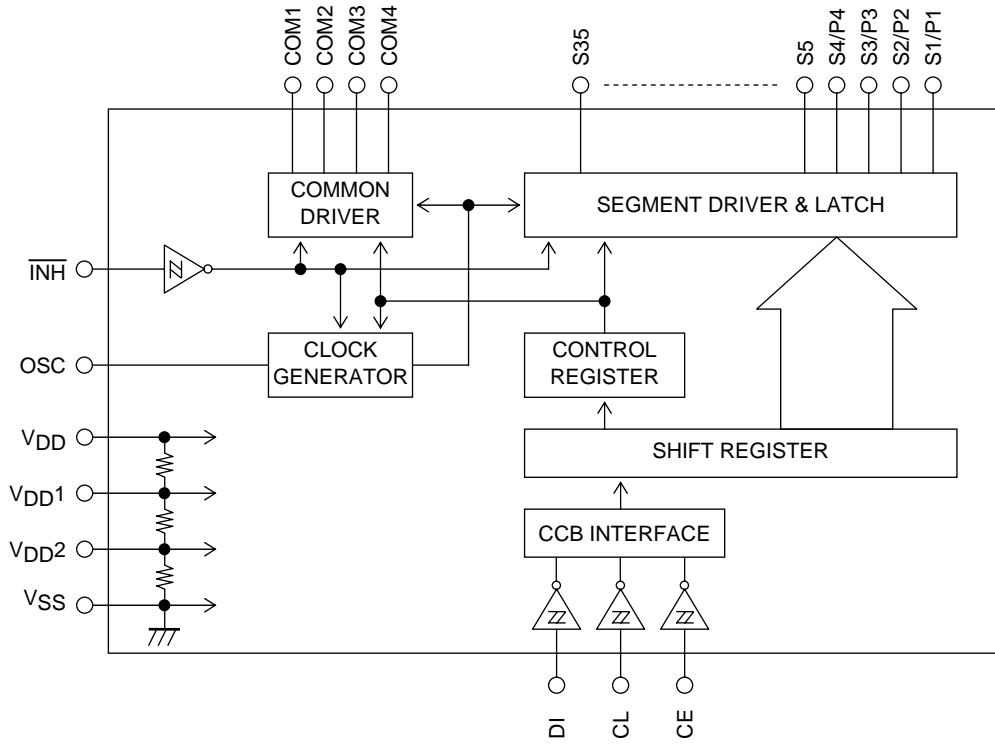


Pin Assignment



Top view

Block Diagram



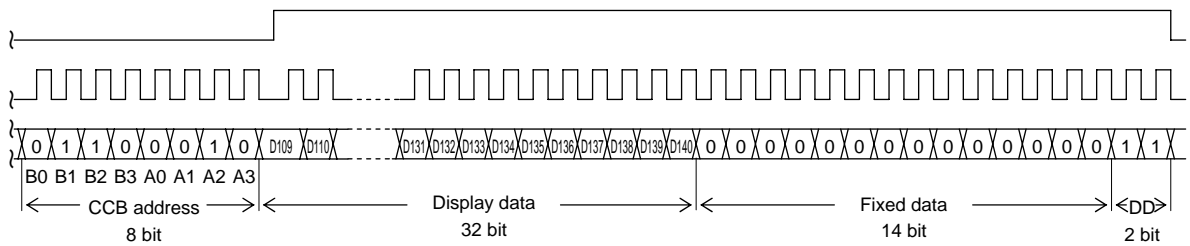
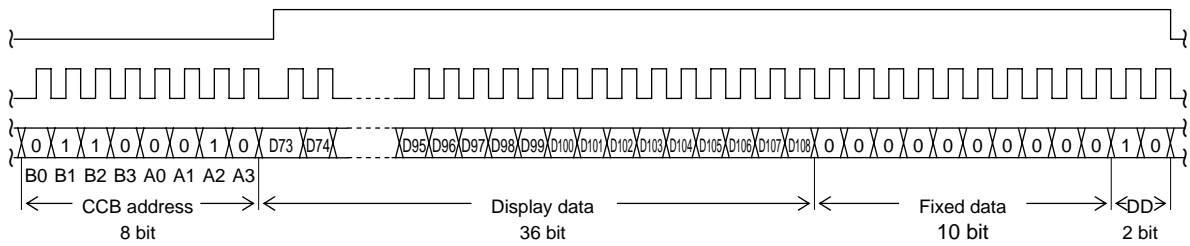
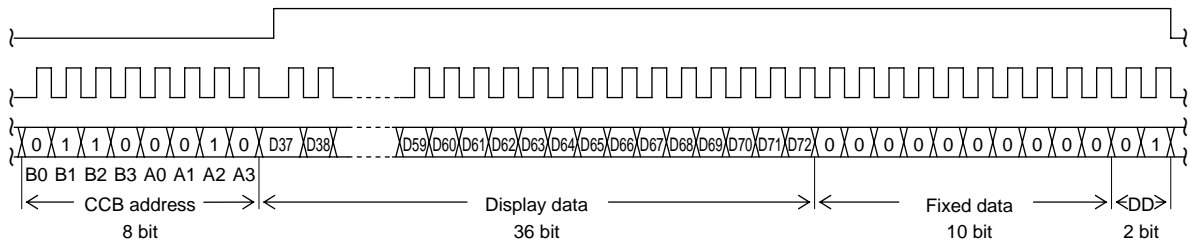
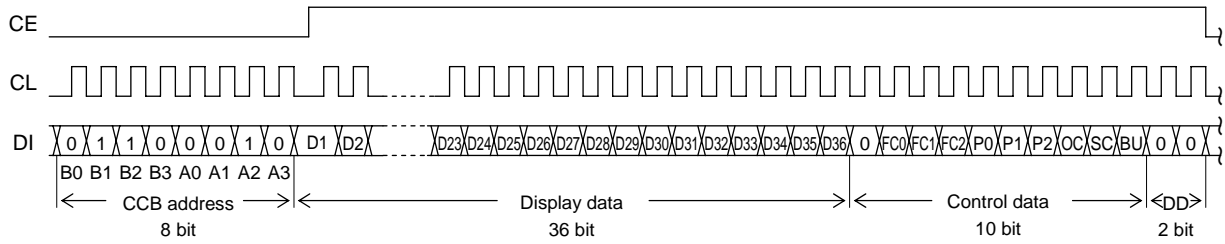
LC75836W

Pin Functions

Symbol	Pin No.	Function	Active	I/O	Handling when unused
S1/P1 to S4/P4 S5 to S34 S35	1 to 4 5 to 34 39	Segment outputs for displaying the display data transferred by serial data input. The S1/P1 to S4/P4 pins can be used as general-purpose output ports when so set up by the control data.	-	O	OPEN
COM1 to COM4	35 to 38	Common driver outputs. The frame frequency is f_o [Hz].	-	O	OPEN
OSC	44	Oscillator connection. An oscillator circuit is formed by connecting an external resistor and capacitor to this pin. This pin can be used as the external clock input pin if external clock operating mode is selected with the control data.	-	I/O	V_{DD}
CE CL DI	46 47 48	Serial data transfer inputs. Must be connected to the controller. CE: Chip enable CL: Synchronization clock DI: Transfer data	H ↑ -	I I I	GND
\overline{INH}	45	Display off control input <ul style="list-style-type: none"> • $\overline{INH} = \text{low } (V_{SS})$...Display forced off <ul style="list-style-type: none"> S1/P1 to S4/P4 = low (V_{SS}) (These pins are forcibly set to the segment output port function and held at the V_{SS} level.) S5 to S35 = low (V_{SS}) COM1 to COM4 = low (V_{SS}) OSC = Z (high impedance) RC oscillation stopped Inhibits external clock input. • $\overline{INH} = \text{high } (V_{DD})$...Display on <ul style="list-style-type: none"> RC oscillation enabled (RC oscillator operating mode) Enables external clock input (external clock operating mode). <p>However, serial data transfer is possible when the display is forced off.</p>	L	I	GND
V_{DD1}	41	Used to apply the LCD drive 2/3 bias voltage externally.	-	I	OPEN
V_{DD2}	42	Used to apply the LCD drive 1/3 bias voltage externally.	-	I	OPEN
V_{DD}	40	Power supply pin. A power voltage of 4.5 to 6.0V must be applied to this pin.	-	-	-
V_{SS}	43	Ground pin. Must be connected to ground.	-	-	-

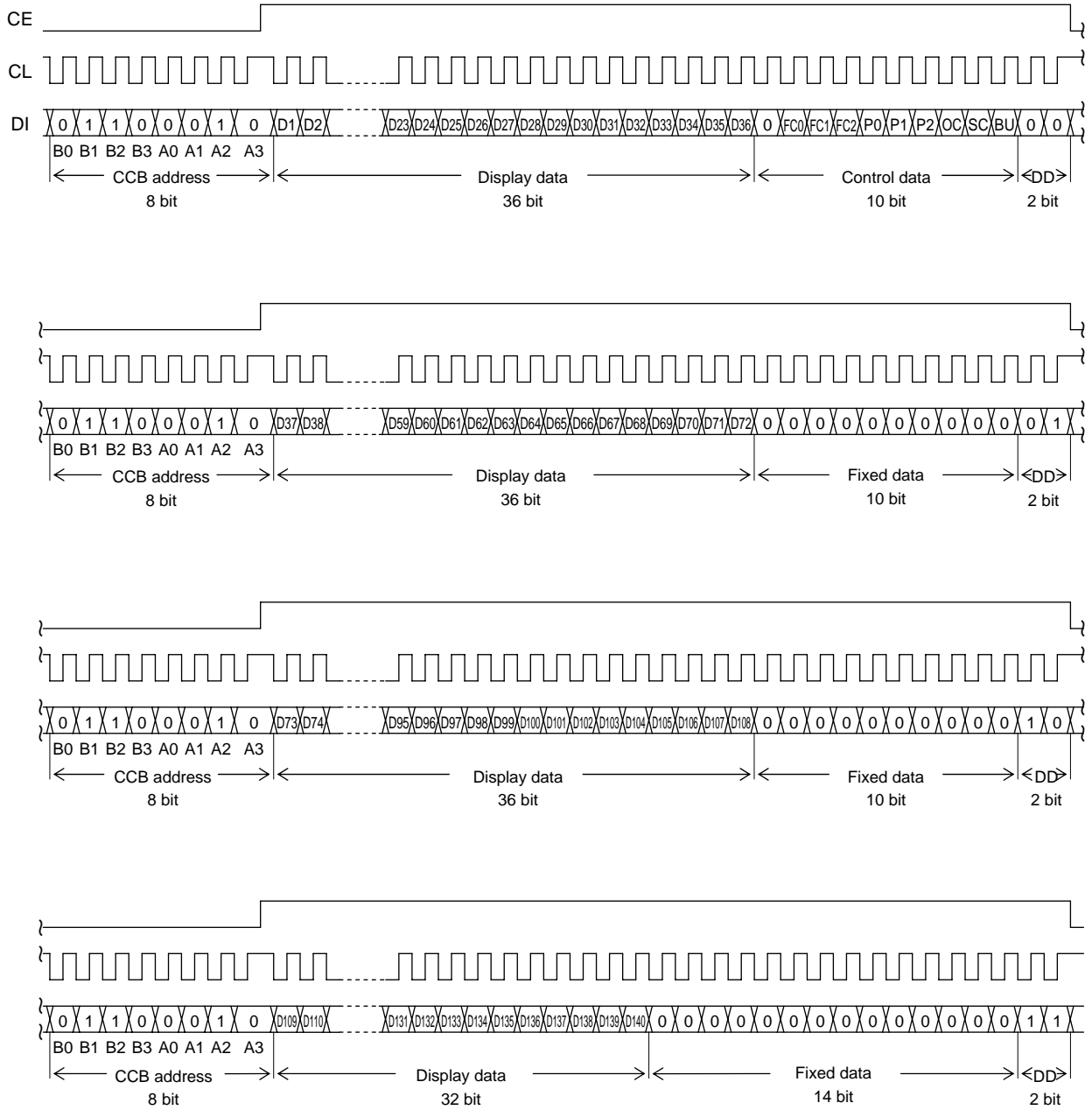
Serial Data Transfer Formats

1. When CL is stopped at the low level



Note: DD is the direction data.

2. When CL is stopped at the high level



Note: DD is the direction data.

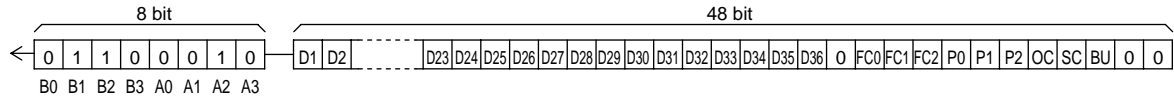
- CCB address "46H"
- D1 to D140 Display data
- FC0 to FC2 Common/segment output waveform frame frequency control data
- P0 to P2 Segment output port/general-purpose output port switching control data
- OC RC oscillator operating mode/external clock operating mode switching control data
- SC Segments on/off control data
- BU Normal mode/power-saving mode control data

Serial Data Transfer Example

- When 109 or more segments are used
All 192 bits of serial data must be sent.



- When fewer than 109 segments are used
Either 48, 96, or 144 bits of serial data must be sent, depending on the number of segments to be used. However, the serial data shown below (the D1 to D36 display data and the control data) must always be sent.



Control Data Functions

1. FC0 to FC2: Common/segment output waveform frame frequency control data

These control data bits set the frame frequency of the common and segment output waveforms.

Control data			Frame frequency fo [Hz]
FC0	FC1	FC2	
1	1	0	$f_{osc}/768, f_{CK}/768$
1	1	1	$f_{osc}/576, f_{CK}/576$
0	0	0	$f_{osc}/384, f_{CK}/384$
0	0	1	$f_{osc}/288, f_{CK}/288$
0	1	0	$f_{osc}/192, f_{CK}/192$

2. P0 to P2: Segment output port/general-purpose output port switching control data

These control data bits switch the segment output port/general-purpose output port functions of the S1/P1 to S4/P4 output pins.

Control data			Output pin state			
P0	P1	P2	S1/P1	S2/P2	S3/P3	S4/P4
0	0	0	S1	S2	S3	S4
0	0	1	P1	S2	S3	S4
0	1	0	P1	P2	S3	S4
0	1	1	P1	P2	P3	S4
1	0	0	P1	P2	P3	P4

Note: Sn (n = 1 to 4): Segment output ports

Pn (n = 1 to 4): General-purpose output ports

Note that when the general-purpose output port function is selected, the correspondence between the output pins and the display data will be that shown in the table.

Output pin	Corresponding display data
S1/P1	D1
S2/P2	D5
S3/P3	D9
S4/P4	D13

For example, if the general-purpose output port function is selected for the S4/P4 output pin, that output pin will output a high level (V_{DD}) when the display data D13 is 1, and a low level (V_{SS}) when the D13 is 0.

3. OC: RC oscillator operating mode/external clock operating mode switching control data.

This control data bit switches the OSC pin function (either RC oscillator operating mode or external clock operating mode).

OC	OSC pin function
0	RC oscillator operating mode
1	External clock operating mode

Note: An external resistor, R_{osc} , and an external capacitor, C_{osc} , must be connected to the OSC pin if RC oscillator operating mode is selected.

4. SC: Segment on/off control data

This control data bit controls the on/off state of the segments.

SC	Display state
0	On
1	Off

Note that when the segments are turned off by setting SC to 1, the segments are turned off by outputting segment off waveforms from the segment output pins.

LC75836W

5. BU: Normal mode/power-saving mode control data

This control data bit selects either normal mode or power saving mode.

BU	Mode
0	Normal mode
1	Power saving mode. (In RC oscillator operating mode (OC = 0), the OSC pin oscillator is stopped, and in external clock operating mode (OC = 1), acceptance of the external clock is stopped. In this mode the common and segment output pins go to the V_{SS} levels. However, S1/P1 to S4/P4 output pins that are set to be general-purpose output ports by the control data P0 to P2 can be used as general-purpose output ports.)

LC75836W

Display Data and Output Pin Correspondence

Output pin	COM1	COM2	COM3	COM4
S1/P1	D1	D2	D3	D4
S2/P2	D5	D6	D7	D8
S3/P3	D9	D10	D11	D12
S4/P4	D13	D14	D15	D16
S5	D17	D18	D19	D20
S6	D21	D22	D23	D24
S7	D25	D26	D27	D28
S8	D29	D30	D31	D32
S9	D33	D34	D35	D36
S10	D37	D38	D39	D40
S11	D41	D42	D43	D44
S12	D45	D46	D47	D48
S13	D49	D50	D51	D52
S14	D53	D54	D55	D56
S15	D57	D58	D59	D60
S16	D61	D62	D63	D64
S17	D65	D66	D67	D68
S18	D69	D70	D71	D72

Output pin	COM1	COM2	COM3	COM4
S19	D73	D74	D75	D76
S20	D77	D78	D79	D80
S21	D81	D82	D83	D84
S22	D85	D86	D87	D88
S23	D89	D90	D91	D92
S24	D93	D94	D95	D96
S25	D97	D98	D99	D100
S26	D101	D102	D103	D104
S27	D105	D106	D107	D108
S28	D109	D110	D111	D112
S29	D113	D114	D115	D116
S30	D117	D118	D119	D120
S31	D121	D122	D123	D124
S32	D125	D126	D127	D128
S33	D129	D130	D131	D132
S34	D133	D134	D135	D136
S35	D137	D138	D139	D140

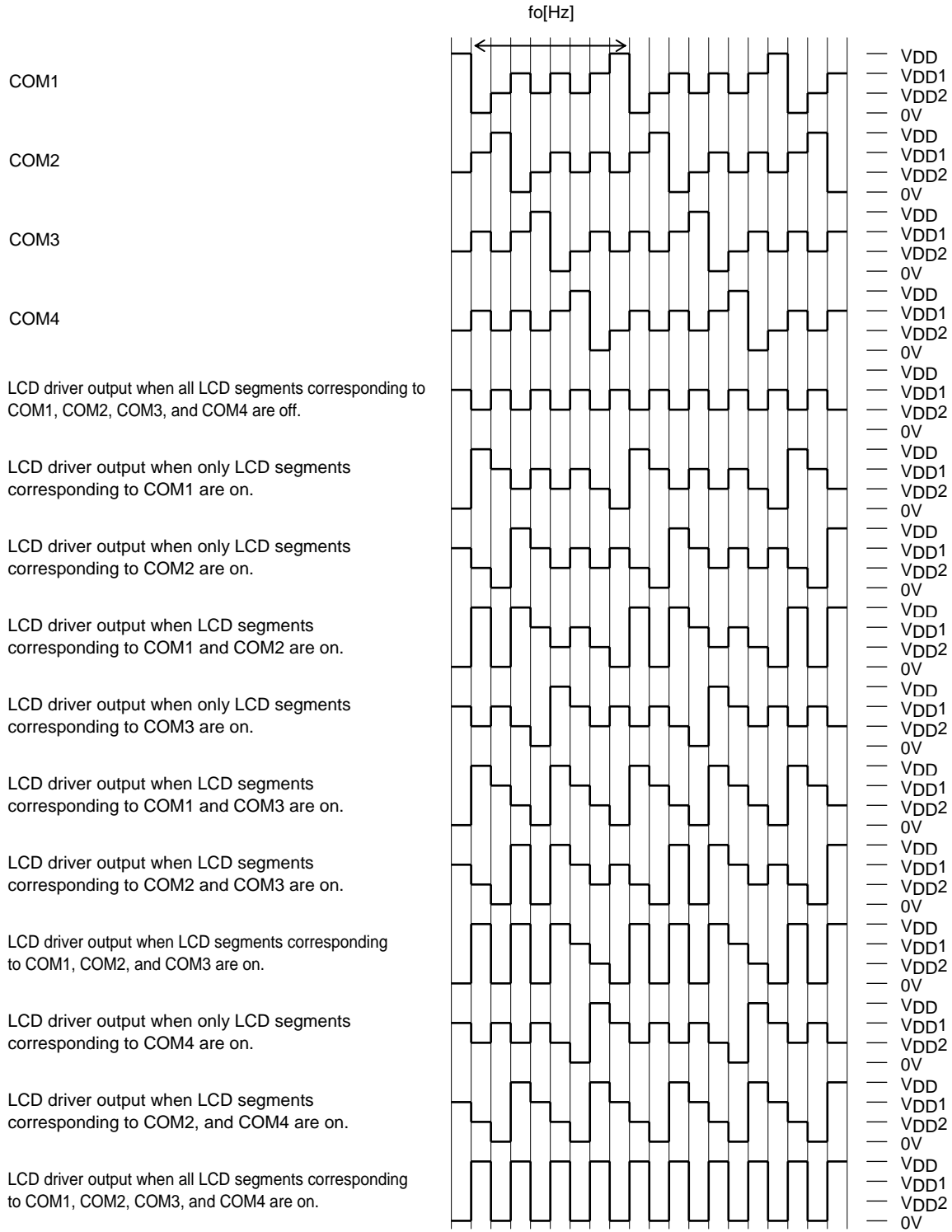
Note: Applies when the S1/P1 to S4/P4 output pins are set to their segment output function.

For example, the table below lists the output states for the S21 output pin.

Display data				Output pin (S21) state
D81	D82	D83	D84	
0	0	0	0	The LCD segments corresponding to COM1, COM2, COM3, and COM4 are off.
0	0	0	1	The LCD segment corresponding to COM4 is on.
0	0	1	0	The LCD segment corresponding to COM3 is on.
0	0	1	1	The LCD segments corresponding to COM3 and COM4 are on.
0	1	0	0	The LCD segment corresponding to COM2 is on.
0	1	0	1	The LCD segments corresponding to COM2 and COM4 are on.
0	1	1	0	The LCD segments corresponding to COM2 and COM3 are on.
0	1	1	1	The LCD segments corresponding to COM2, COM3, and COM4 are on.
1	0	0	0	The LCD segment corresponding to COM1 is on.
1	0	0	1	The LCD segments corresponding to COM1 and COM4 are on.
1	0	1	0	The LCD segments corresponding to COM1 and COM3 are on.
1	0	1	1	The LCD segments corresponding to COM1, COM3, and COM4 are on.
1	1	0	0	The LCD segments corresponding to COM1 and COM2 are on.
1	1	0	1	The LCD segments corresponding to COM1, COM2, and COM4 are on.
1	1	1	0	The LCD segments corresponding to COM1, COM2, and COM3 are on.
1	1	1	1	The LCD segments corresponding to COM1, COM2, COM3, and COM4 are on.

LC75836W

Output Waveforms (1/4-Duty 1/3-Bias Drive Scheme)



Control data			Frame frequency f_o [Hz]
FC0	FC1	FC2	
1	1	0	$f_{osc}/768, f_{CK}/768$
1	1	1	$f_{osc}/576, f_{CK}/576$
0	0	0	$f_{osc}/384, f_{CK}/384$
0	0	1	$f_{osc}/288, f_{CK}/288$
0	1	0	$f_{osc}/192, f_{CK}/192$

Display Control and the $\overline{\text{INH}}$ Pin

Since the LSI internal data (the display data D1 to D140 and the control data) is undefined when power is first applied, applications should set the $\overline{\text{INH}}$ pin low at the same time as power is applied to turn off the display. (This sets the S1/P1 to S4/P4, S5 to S35, and COM1 to COM4 pins to the V_{SS} level.) and during this period send serial data from the controller. The controller should then set the $\overline{\text{INH}}$ pin high after the data transfer has completed. This procedure prevents meaningless displays at power on.

(See Figure 5.)

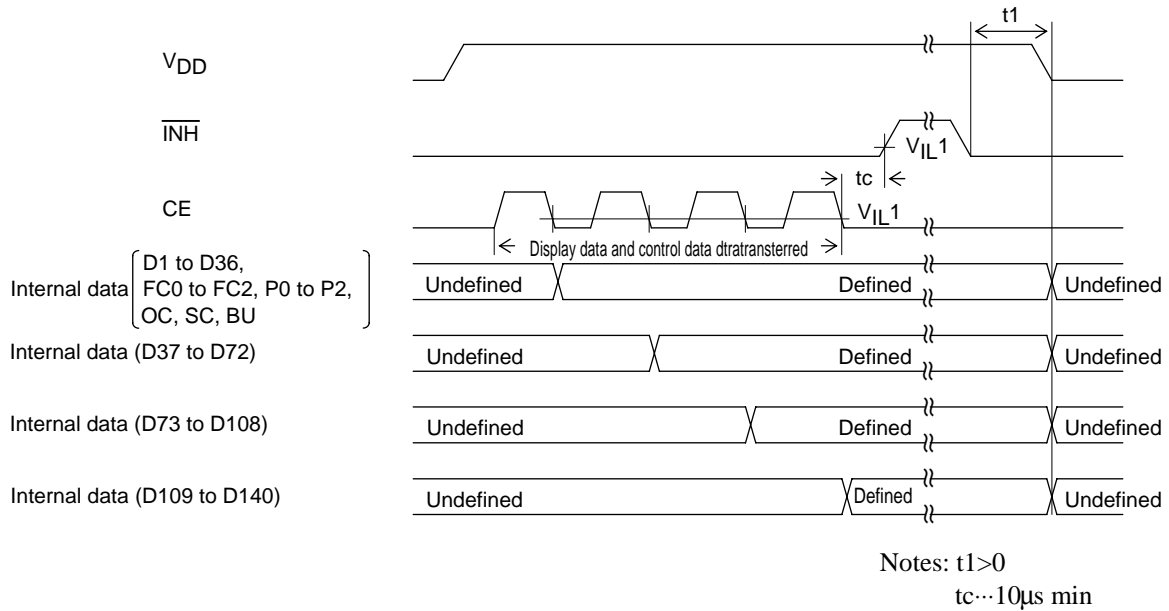


Figure 5

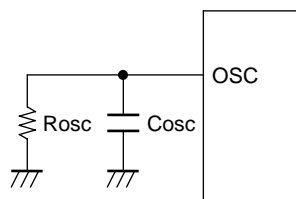
Notes on Controller Transfer of Display Data

Since the LC75836W transfer the display data (D1 to D140) in four separate transfer operations, we recommend that applications make a point of completing all four data transfers within a period of less than 30ms to prevent observable degradation of display quality.

OSC Pin Peripheral Circuit

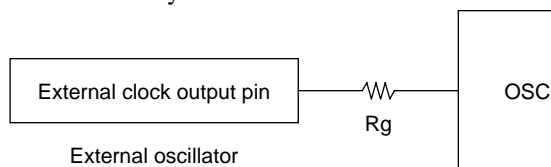
(1) RC oscillator operating mode (control data OC = 0)

An external resistor, R_{osc} , and an external capacitor, C_{osc} , must be connected between the OSC pin and GND if RC oscillator operating mode is selected.



(2) External clock operating mode (control data OC = 1)

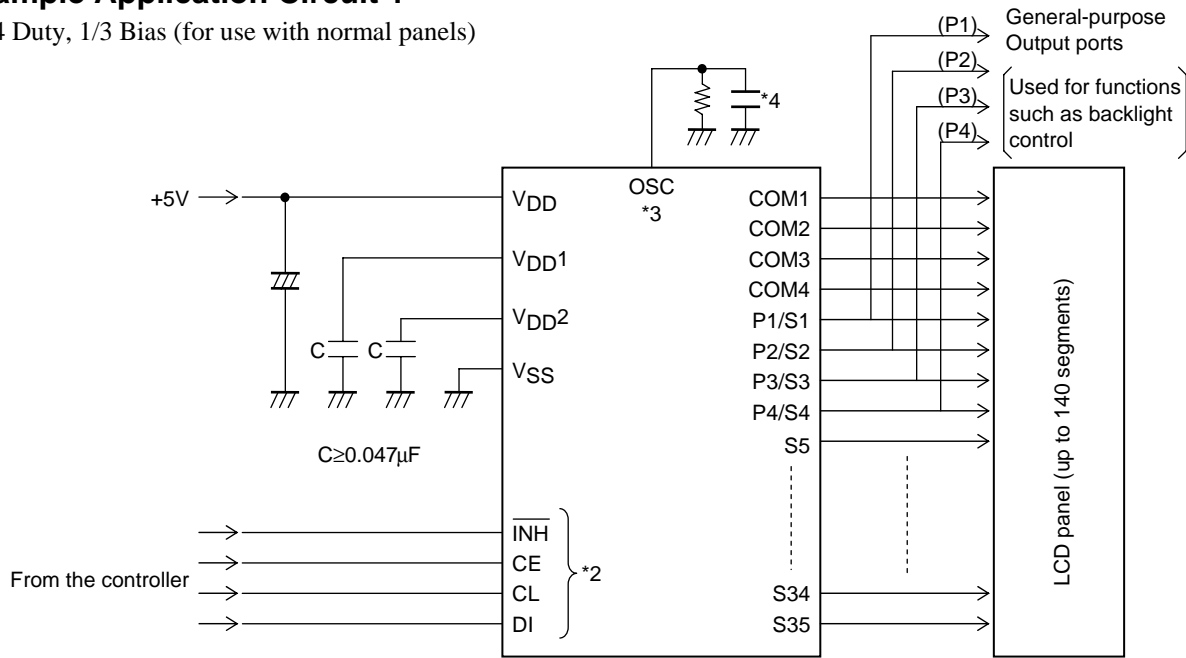
When the external clock operating mode is selected, insert a current protection resistor R_g (4.7 to 47k Ω) between the OSC pin and external clock output pin (external oscillator). Determine the value of the resistance according to the allowable current value at the external clock output pin. Also make sure that the waveform of the external clock is not heavily distorted.



Note: Allowable current value at external clock output pin $> \frac{V_{DD}}{R_g}$

Sample Application Circuit 1

1/4 Duty, 1/3 Bias (for use with normal panels)



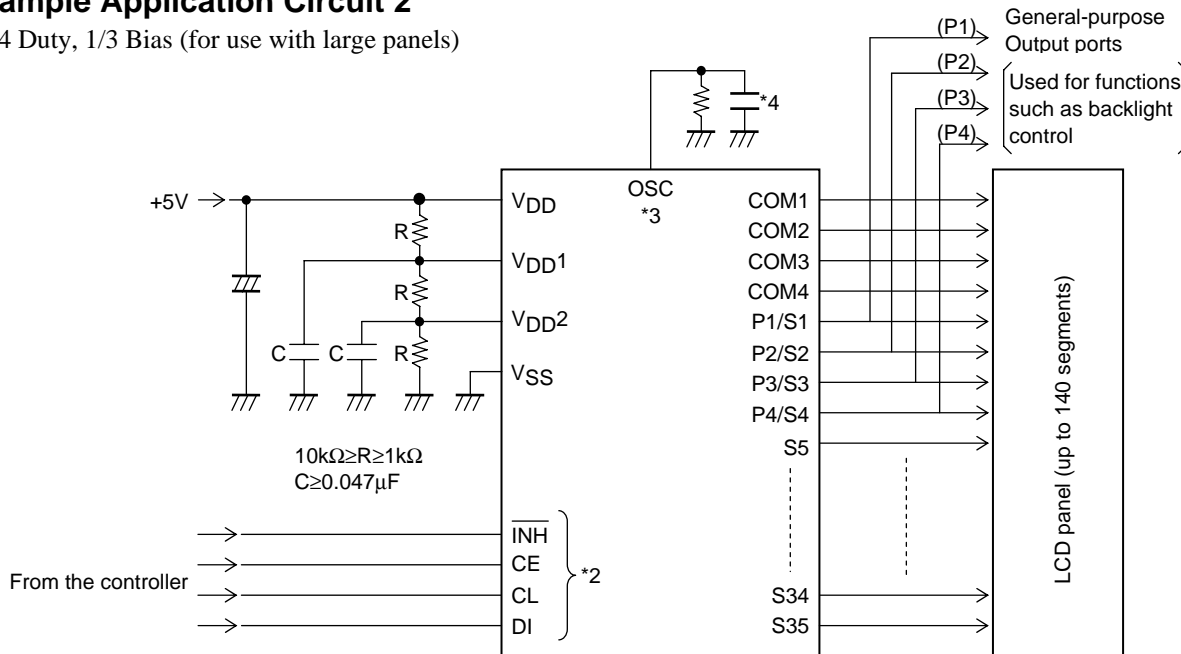
*2: The pins to be connected to the controller (CE, CL, DI, $\overline{\text{INH}}$) can handle 3V.

*3: In RC oscillator operating mode, an external resistor, R_{osc}, and an external capacitor, C_{osc}, must be connected between the OSC pin and ground. If external clock operating mode is selected, a current protection resistor, R_g (4.7 to 47 kΩ), must be inserted between the external clock output pin (on the external oscillator) and the OSC pin. (See the “OSC Pin Peripheral Circuit” section.)

*4: When a capacitor except the recommended external capacitance (C_{osc} = 1000pF) is connected to the OSC pin, it should be in the range 220 to 2200pF.

Sample Application Circuit 2

1/4 Duty, 1/3 Bias (for use with large panels)



*2: The pins to be connected to the controller (CE, CL, DI, $\overline{\text{INH}}$) can handle 3V.

*3: In RC oscillator operating mode, an external resistor, R_{osc}, and an external capacitor, C_{osc}, must be connected between the OSC pin and ground. If external clock operating mode is selected, a current protection resistor, R_g (4.7 to 47 kΩ), must be inserted between the external clock output pin (on the external oscillator) and the OSC pin. (See the “OSC Pin Peripheral Circuit” section.)

*4: When a capacitor except the recommended external capacitance (C_{osc} = 1000pF) is connected to the OSC pin, it should be in the range 220 to 2200pF.

ON Semiconductor and the ON logo are registered trademarks of Semiconductor Components Industries, LLC (SCILLC). SCILLC owns the rights to a number of patents, trademarks, copyrights, trade secrets, and other intellectual property. A listing of SCILLC's product/patent coverage may be accessed at www.onsemi.com/site/pdf/Patent-Marking.pdf. SCILLC reserves the right to make changes without further notice to any products herein. SCILLC makes no warranty, representation or guarantee regarding the suitability of its products for any particular purpose, nor does SCILLC assume any liability arising out of the application or use of any product or circuit, and specifically disclaims any and all liability, including without limitation special, consequential or incidental damages. "Typical" parameters which may be provided in SCILLC data sheets and/or specifications can and do vary in different applications and actual performance may vary over time. All operating parameters, including "Typicals" must be validated for each customer application by customer's technical experts. SCILLC does not convey any license under its patent rights nor the rights of others. SCILLC products are not designed, intended, or authorized for use as components in systems intended for surgical implant into the body, or other applications intended to support or sustain life, or for any other application in which the failure of the SCILLC product could create a situation where personal injury or death may occur. Should Buyer purchase or use SCILLC products for any such unintended or unauthorized application, Buyer shall indemnify and hold SCILLC and its officers, employees, subsidiaries, affiliates, and distributors harmless against all claims, costs, damages, and expenses, and reasonable attorney fees arising out of, directly or indirectly, any claim of personal injury or death associated with such unintended or unauthorized use, even if such claim alleges that SCILLC was negligent regarding the design or manufacture of the part. SCILLC is an Equal Opportunity/Affirmative Action Employer. This literature is subject to all applicable copyright laws and is not for resale in any manner.