



LC75842E

General-Purpose 1/2 Duty LCD Display Driver



Overview

The LC75842E is a 1/2 duty general-purpose LCD display driver for applications such as microprocessor-controlled electronic tuning. It can drive up to 54 segments directly.

Features

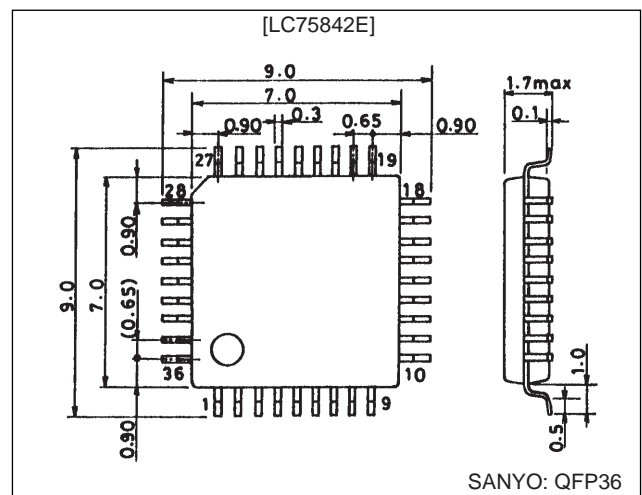
- 1/2 duty, 1/2 bias drive of up to 54 segments
- Serial data input supports CCB* format communication with the system controller.
- Backup function which is based on a power saving mode and all segments off functions that are controlled by serial data.
- High generality, since display data is displayed directly without decoder intervention.
- The display can be forced to the off state with the $\overline{\text{INH}}$ pin.
- RC oscillator circuit

- CCB is a trademark of SANYO ELECTRIC CO., LTD.
- CCB is SANYO's original bus format and all the bus addresses are controlled by SANYO.

Package Dimensions

unit: mm

3162B-QFP36



Specifications

Absolute Maximum Ratings at $T_a = 25^\circ\text{C}$, $V_{SS} = 0\text{ V}$

Parameter	Symbol	Conditions	Ratings	Unit
Maximum supply voltage	$V_{DD\text{ max}}$	V_{DD}	-0.3 to +6.5	V
Input voltage	V_{IN1}	CE, CL, DI, $\overline{\text{INH}}$	-0.3 to +6.5	V
	V_{IN2}	OSC	-0.3 to $V_{DD} + 0.3$	V
Output voltage	V_{OUT}	OSC, S1 to S27, COM1, COM2	-0.3 to $V_{DD} + 0.3$	V
Output current	I_{OUT1}	S1 to S27	100	μA
	I_{OUT2}	COM1, COM2	1	mA
Allowable power dissipation	$P_{d\text{ max}}$	$T_a = 85^\circ\text{C}$	100	mW
Operating temperature	T_{opr}		-40 to +85	$^\circ\text{C}$
Storage temperature	T_{stg}		-55 to +125	$^\circ\text{C}$

Allowable Operating Ranges at $T_a = -40\text{ to }+85^\circ\text{C}$, $V_{SS} = 0\text{ V}$

Parameter	Symbol	Conditions	Ratings			Unit
			min	typ	max	
Supply voltage	V_{DD}	V_{DD}^*	4.0	5.0	6.0	V
Input high level voltage	V_{IH}	CE, CL, DI, $\overline{\text{INH}}$	$0.8 V_{DD}$		6.0	V
Input low level voltage	V_{IL}	CE, CL, DI, $\overline{\text{INH}}$	0		$0.2 V_{DD}$	V
Recommended external resistance	R_{OSC}	OSC		68		$\text{k}\Omega$
Recommended external capacitance	C_{OSC}	OSC		680		pF
Guaranteed oscillator range	f_{OSC}	OSC	25	50	100	kHz

Note: * Please contact your Sanyo sales representative if you need to operate the LC75842E at a power supply voltage V_{DD} of 3.0 V (min.).

Continued on next page.

SANYO Electric Co., Ltd. Semiconductor Business Headquarters

TOKYO OFFICE Tokyo Bldg., 1-10, 1 Chome, Ueno, Taito-ku, TOKYO, 110 JAPAN

41096HA (OT)/61595HA (OT) No. 4966-1/9

LC75842E

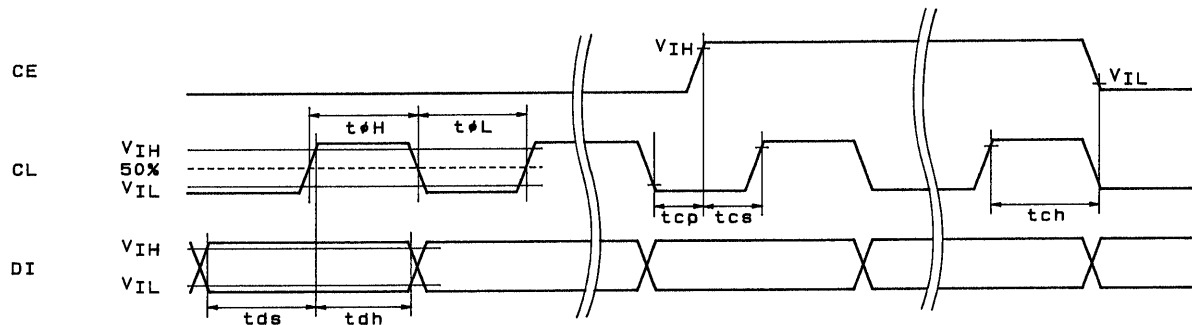
Continued from preceding page.

Parameter	Symbol	Conditions	Ratings			Unit
			min	typ	max	
Low level clock pulse width	$t_{\phi L}$	CL: Figure 1	160			ns
High level clock pulse width	$t_{\phi H}$	CL: Figure 1	160			ns
Data setup time	t_{ds}	CL, DI: Figure 1	160			ns
Data hold time	t_{dh}	CL, DI: Figure 1	160			ns
CE wait time	t_{cp}	CE, CL: Figure 1	160			ns
CE setup time	t_{cs}	CE, CL: Figure 1	160			ns
CE hold time	t_{ch}	CE, CL: Figure 1	160			ns
$\overline{\text{INH}}$ switching time	t_c	$\overline{\text{INH}}$, CE: Figure 3	10			μs

Electrical Characteristics in the Allowable Operating Ranges

Parameter	Symbol	Conditions	Ratings			Unit
			min	typ	max	
Hysteresis voltage	V_H	CE, CL, DI, $\overline{\text{INH}}$: $V_{DD} = 5.0 \text{ V}$		0.4		V
Input high level current	I_{IH}	CE, CL, DI, $\overline{\text{INH}}$: $V_I = 6.0 \text{ V}$			5.0	μA
Input low level current	I_{IL}	CE, CL, DI, $\overline{\text{INH}}$: $V_I = 0 \text{ V}$	-5.0			μA
Output high level voltage	V_{OH1}	S1 to S27: $I_O = -10 \mu\text{A}$	$V_{DD} - 1.0$			V
	V_{OH2}	COM1, COM2: $I_O = -100 \mu\text{A}$	$V_{DD} - 0.6$			V
Output low level voltage	V_{OL1}	S1 to S27: $I_O = 10 \mu\text{A}$			1.0	V
	V_{OL2}	COM1, COM2: $I_O = 100 \mu\text{A}$			0.6	V
Output middle level voltage	V_{MID1}	COM1, COM2: $V_{DD} = 6.0 \text{ V}$, $I_O = \pm 100 \mu\text{A}$	2.4	3.0	3.6	V
	V_{MID2}	COM1, COM2: $V_{DD} = 4.0 \text{ V}$, $I_O = \pm 100 \mu\text{A}$	1.4	2.0	2.6	V
Oscillator frequency	f_{OSC}	OSC: $R_{OSC} = 68 \text{ k}\Omega$, $C_{OSC} = 680 \text{ pF}$	40	50	60	kHz
Current drain	I_{DD1}	Power saving mode			5	μA
	I_{DD2}	$V_{DD} = 6.0 \text{ V}$, output open, $f_{OSC} = 50 \text{ kHz}$		1.2	2.0	mA

1. When CL is stopped at the low level



2. When CL is stopped at the high level

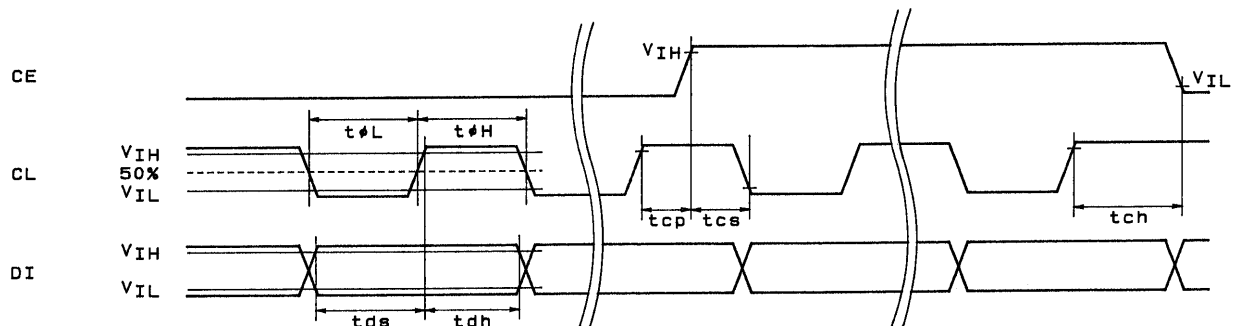
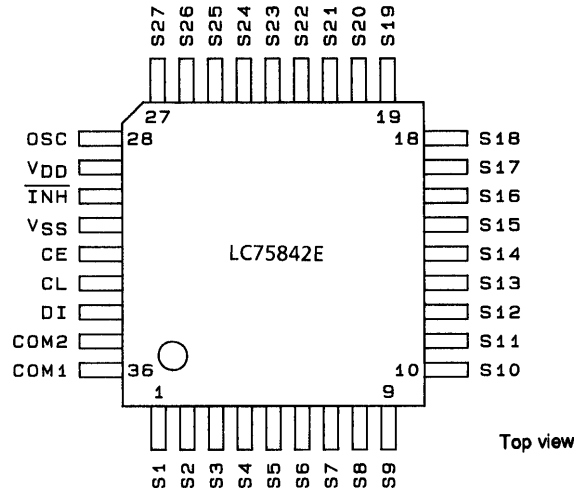


Figure 1

A03902

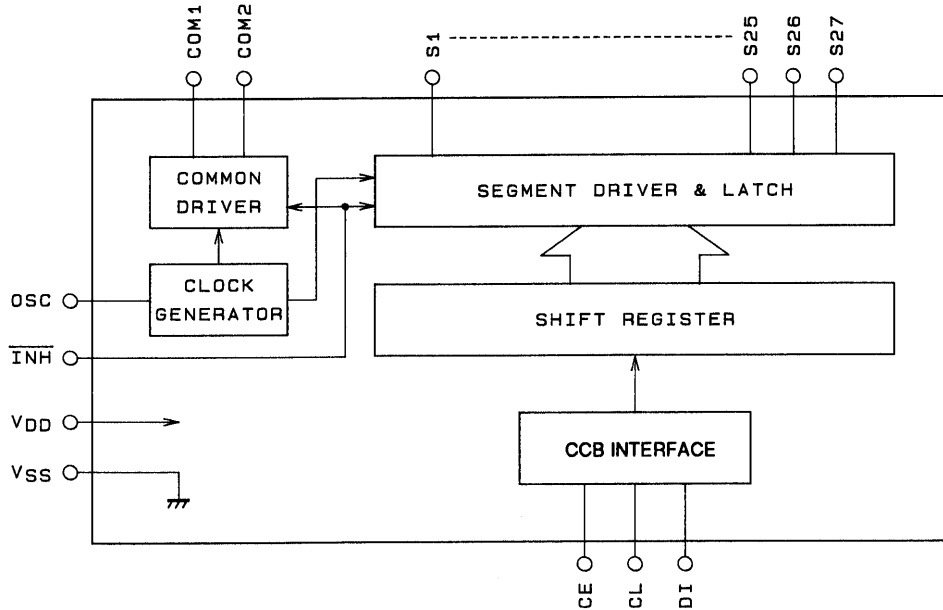
LC75842E

Pin Assignment



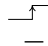
A03195

Block Diagram



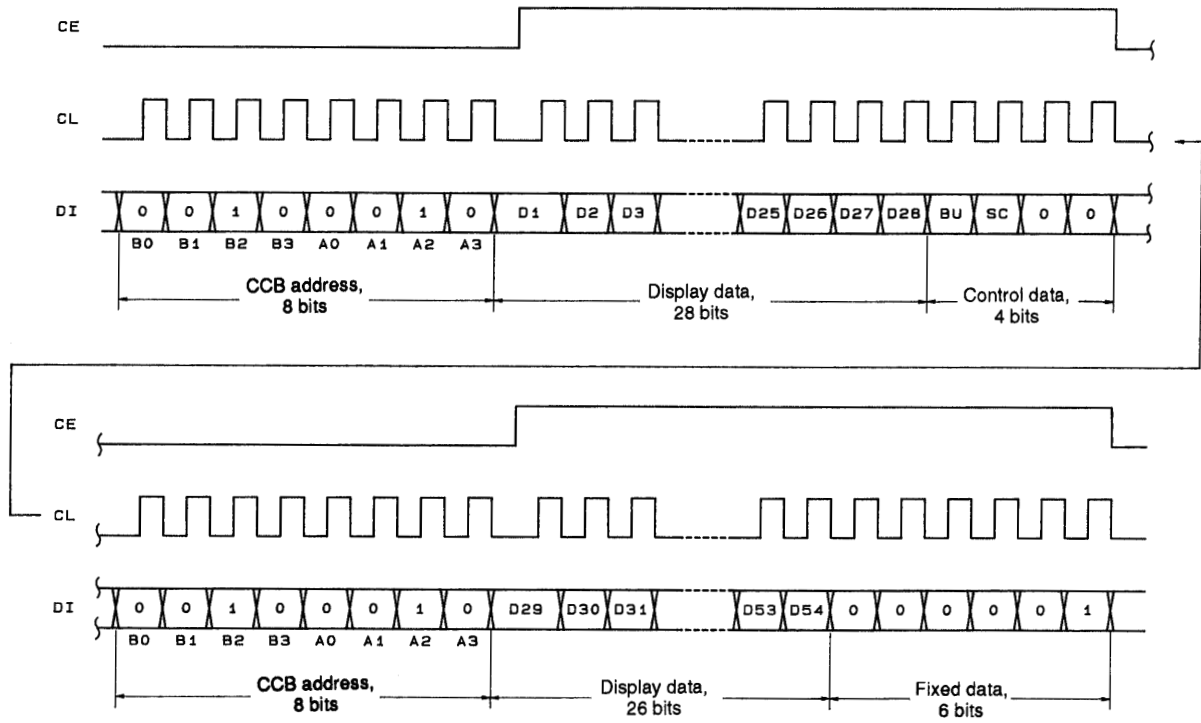
A03196

Pin Functions

Pin	Pin No.	Function	Active	I/O	Handling when unused
S1 to S27	1 to 27	Segment outputs for displaying the display data transferred by serial data input.	—	O	Open
COM1 COM2	36 35	Common driver outputs. The frame frequency f_0 is $f_{osc}/512$ Hz.	—	O	Open
OSC	28	Oscillator connection. An oscillator circuit is formed by connecting an external resistor and capacitor at this pin.	—	I/O	V_{DD}
CE CL DI	32 33 34	Serial data transfer inputs. Must be connected to the control microprocessor. CE: Chip enable CL: Synchronization clock DI: Transfer data	H 	I	GND
\overline{INH}	30	Display off control input \overline{INH} = low (V_{SS}).....Display off (S1 to S27, COM1 and COM2 = low) \overline{INH} = high (V_{DD}).....Display on However, serial data transfer is possible when the display is forced off by this pin.	L	I	GND
V_{DD}	29	Power supply. Provide a power supply voltage of between 4.0 and 6.0 V.	—	—	—
V_{SS}	31	Power supply. Connect this pin to ground.	—	—	—

Serial Data Transfer Format

1. When CL is stopped at the low level



A03187

2. When CL is stopped at the high level

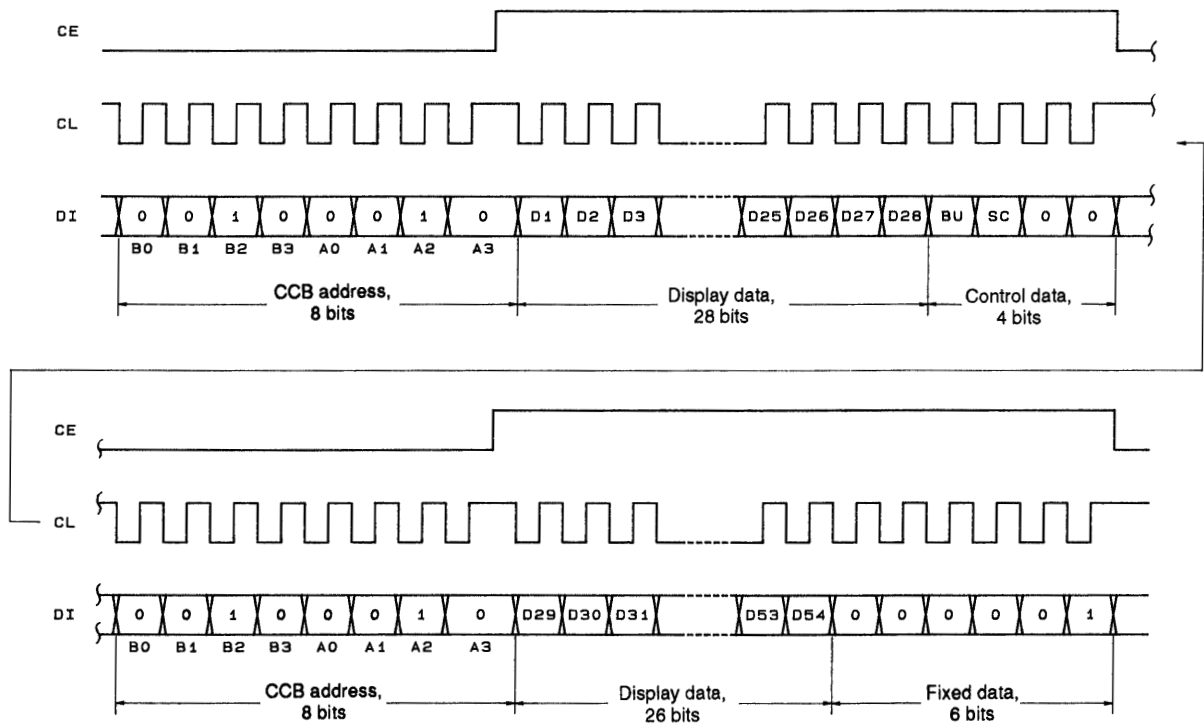


Figure 2

- CCB address.....44_H
- D1 to D54.....Display data
 - D_n (n = 1 to 54) = 1: Segment on
 - D_n (n = 1 to 54) = 0: Segment off
- BUControl data for specifying normal mode or power saving mode
- SC.....Control data for specifying all segments on or off

Serial Data Transfer Example

When 29 or more segments are used all 80 bits of the serial data must be sent.

When fewer than 29 segments are used only the first 40 bits of the serial data can be sent. However, all 80 bits must be sent after power is first applied.

Note: The following type of transfer cannot be used when fewer than 29 segments are used.

Control Data Functions

1. BU: Control data for specifying normal mode or power saving mode

This control data bit is used to control the normal mode/power saving mode state of the LC75842E.

BU	Mode
0	Normal mode
1	Power saving mode (The OSC pin oscillator is stopped and the common and segment pins go to the V _{SS} level.)

2. SC: Control data for specifying all segments on or off

This control data bit is used to turn all segments on or off.

SC	Display state
0	On
1	Off

Note that when SC is 1 the display is turned off by outputting the segment off waveforms from the segment pins.

Correspondence between Display Data and Segment Output Pins

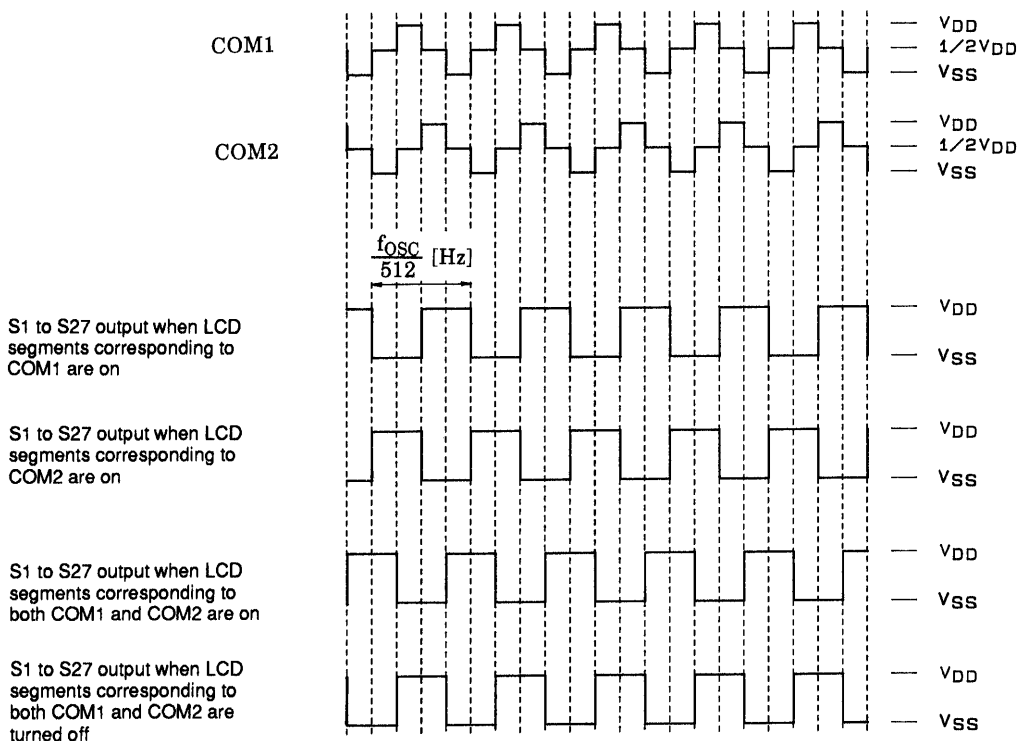
Segment output pin	COM1	COM2
S1	D1	D2
S2	D3	D4
S3	D5	D6
S4	D7	D8
S5	D9	D10
S6	D11	D12
S7	D13	D14
S8	D15	D16
S9	D17	D18
S10	D19	D20
S11	D21	D22
S12	D23	D24
S13	D25	D26
S14	D27	D28

Segment output pin	COM1	COM2
S15	D29	D30
S16	D31	D32
S17	D33	D34
S18	D35	D36
S19	D37	D38
S20	D39	D40
S21	D41	D42
S22	D43	D44
S23	D45	D46
S24	D47	D48
S25	D49	D50
S26	D51	D52
S27	D53	D54

For example, the table below lists the output states for the S11 segment output pin.

Display data		Segment output pin (S11) state
D21	D22	
0	0	Both segments for COM1 and COM2 are off.
0	1	Segment for COM2 is on.
1	0	Segment for COM1 is on.
1	1	Both segments for COM1 and COM2 are on.

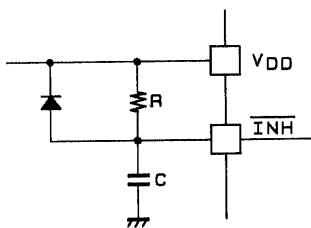
Output Waveforms (1/2 duty, 1/2 bias drive)



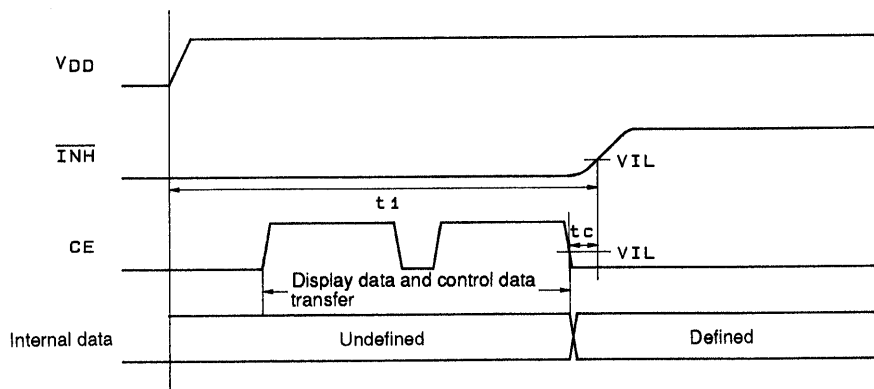
A03198

INH and Display Control

Since the LSI internal data (D1 to D54 and control data) is undefined when power is first applied, the display is turned off (S1 to S27, COM1 and COM2 = low) by setting \overline{INH} pin low at the same time as power is applied. Then, meaningless display at the power on can be prevented by transferring all 80 bits of serial data from the controller while the display is turned off and \overline{INH} pin high after the transfer completes. (See Figure 3.)



A03198



t₁: Determined by the RC circuit
t_c: 10 μs min.

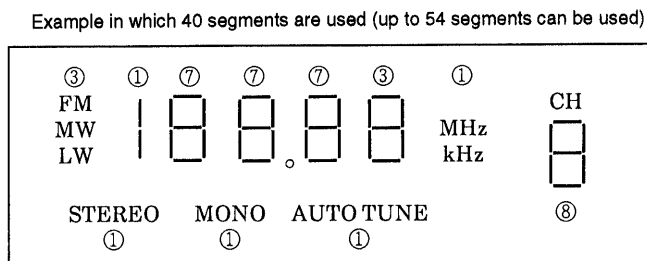
A03200

Figure 3

Notes on Transferring Display Data from the Controller

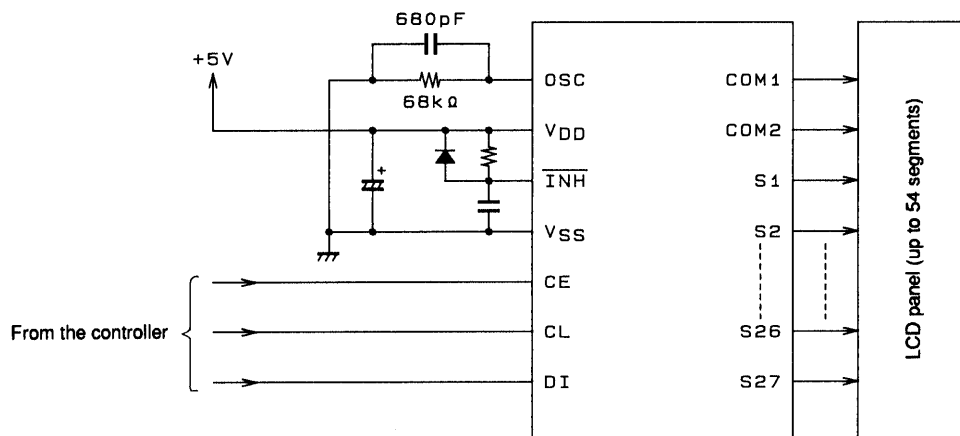
Since the LC75842E takes the display data (D1 to D54) in two separate transfer operations as shown in Figure 2, we recommend that all the display data be transferred within 30 [ms] to maintain the quality of the displayed image.

Sample Display



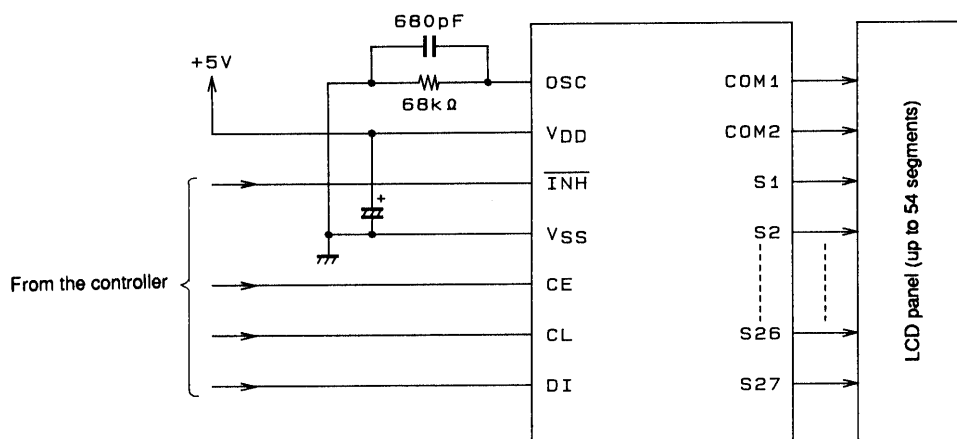
Note: The numbers in circles indicate the number of segments.

Sample Application Circuit 1



A03201

Sample Application Circuit 2



A03202

- No products described or contained herein are intended for use in surgical implants, life-support systems, aerospace equipment, nuclear power control systems, vehicles, disaster/crime-prevention equipment and the like, the failure of which may directly or indirectly cause injury, death or property loss.
- Anyone purchasing any products described or contained herein for an above-mentioned use shall:
 - ① Accept full responsibility and indemnify and defend SANYO ELECTRIC CO., LTD., its affiliates, subsidiaries and distributors and all their officers and employees, jointly and severally, against any and all claims and litigation and all damages, cost and expenses associated with such use:
 - ② Not impose any responsibility for any fault or negligence which may be cited in any such claim or litigation on SANYO ELECTRIC CO., LTD., its affiliates, subsidiaries and distributors or any of their officers and employees jointly or severally.
- Information (including circuit diagrams and circuit parameters) herein is for example only; it is not guaranteed for volume production. SANYO believes information herein is accurate and reliable, but no guarantees are made or implied regarding its use or any infringements of intellectual property rights or other rights of third parties.

This catalog provides information as of December, 1997. Specifications and information herein are subject to change without notice.