



SANYO Semiconductors DATA SHEET

LC822152 — CMOS IC CCD-LCD Interface ASIC

Overview

LC822152 is a chip which compresses and expands the image inputted from the CCD/CMOS by JPEG format, interfacing the LCD controller equipped with built-in CCD/CMOS sensor module and display memory for DSC-PHONES. Since the I²C master device circuit is embedded in the chip and the signal required for the CCD/CMOS module is supplied from this chip, regarding the CPU, it is not necessary to concern the interface with the CCD/CMOS module. In addition, the zooming function using the H/V scaling circuit allows an effective LCD display. The functions comprises the following blocks :

- Image-processing unit where the 8-bit video image data in YUV422 (211) format from CCD/CMOS is scaling processed, performed scaling down and cropping (to cut the four sides) to any size, converted to the RGB565 format and then sent to the LCD controller.
- JPEG processing unit where the YUV422 (211) image data (VGA size) input from CCD/CMOS or the image data which has been processed by scaling or cropping is compressed to the JPEG format, and the sign data is output. Or JPEG processing unit where the sign data input from the host is processed with JPEG decryption and sent to the image processing unit.
- Thumbnail image processing unit where the image data output to the LCD controller is thinned out and reduced to a maximum 40×40 sized image.
- Host control unit where CPU interface, register control, LCD bus switching, JPEG code data transfer, and thumbnail image data transfer are performed.
- I²C interface unit for the CCD/CMOS module access.
- LCD controller interface processing unit allows the RGB666 output (260,000 colors) supporting the 18-bit parallel and various split transfer.

Features

- CCD/CMOS Interface YUV422 (8-bit) format. Maximum VGA size : 640×480.
MCKI : System clock supplied to the CCD/CMOS module.
PCLK : Dot clock output from the CCD/CMOS module.
- CPU Interface 80-system 16-bit bus (D15-D0, WR, RD, A2-0, CS)
Accessible to the JPEG controller, control register including I²C master, JPEG code buffer, thumbnail image buffer, OSD display buffer, and LCD command buffer.
- LCD Interface Connects the chip to the LCD controller system bus with the 80-system 16-bit bus interface.
It is accessible by switching automatically the two masters, host CPU or LSI image-processing unit. Output image from LSI is RGB565 (16-bit) or RGB666 (18-bit, 9-bit×2, etc.). Maximum display size is 320×240 (without OSD) or 320×200 (with OSD). Camera image display to the sub LCD is possible.

Continued on next page.

- Any and all SANYO products described or contained herein do not have specifications that can handle applications that require extremely high levels of reliability, such as life-support systems, aircraft's control systems, or other applications whose failure can be reasonably expected to result in serious physical and/or material damage. Consult with your SANYO representative nearest you before using any SANYO products described or contained herein in such applications.
- SANYO assumes no responsibility for equipment failures that result from using products at values that exceed, even momentarily, rated values (such as maximum ratings, operating condition ranges, or other parameters) listed in products specifications of any and all SANYO products described or contained herein.

LC822152

Continued from preceding page.

- I²C Interface Built-in I²C master for CCD/CMOS module control. Without paying attention to the I²C from the CPU, it is accessible to the CCD/CMOS module as well as the normal register (write/read).
- Scaling function CCD output is a VGA size (640×480). The output is reduced/cropped to meet the LCD display range with a scaler. Low-pass filter and enhancer are equipped.
- JPEG codec The YUV422/YUV420 image data is compressed into JPEG code, and the JPEG code data is expanded to the YUV422/YUV420 image data.
- Thumbnail It performs thinning out, scaling down and cropping the LCD output images to an image size of maximum 40×40.
- Clock system LSI includes PLL and it multiplies the clock input from outside to make a main clock. It divides this multiplied frequency to output to CCD/CMOS module as the clock.
- Package FBGA96K
- Process 0.18μm E/A
- Power source voltage Internal 1.8V±0.18V, I/O 3.0V±0.3V

Specifications

Absolute Maximum Ratings at V_{SS} = 0V

Parameter	Symbol	Conditions	Ratings	Unit
Source Voltage	V _{DD30} max		-0.3 to 3.3	V
	V _{DD18} max		-0.3 to 1.98	V
Input/Output Voltage	V _I , V _O		-0.3 to *V _{DD3} max *+0.3 (max 3.3V)	V
Input/Output Current	I _I , I _O	*1	±20	mA
Allowable Power Dissipation	P _d max	T _a ≤ 70°C *2	650	mW
Operating Temperature	T _{opr}		-30 to +70	°C
Storage Temperature	T _{stg}		-55 to +125	°C

*1 : Absolute maximum rating per input/output reference cell

*2 : This value is assured when the conditions for substrate mounting are as follows.

In other conditions, the assured value will be changed accordingly. (Conditions for substrate mounting)

Substrate size : FR4 (50mm×108mm×1.27mm)

Cu trace rate : 250%

Allowable Operating Range at T_a = -30 to +70°C, V_{SS} = 0V

Parameter	Symbol	Conditions	Ratings			Unit
			min	typ	max	
Power Source Voltage (I/O unit)	V _{DD30}		2.7	3.0	3.3	V
Input Voltage Range (I/O unit)	V _{IN30}		0		V _{DD30}	V
Source Voltage (Internal logic unit)	V _{DD18}		1.62	1.8	1.98	V
Input Voltage Range (Internal logic unit)	V _{IN18}		0		V _{DD18}	V
Power Source Voltage (Analog part)	A _{VDD}		1.62	1.8	1.98	V
Input Voltage Range (Analog part)	A _{VIN}		0		A _{VDD}	V

Input/Output Pin Capacitance at T_a = 25°C, V_{DD18} = V_{DD33} = V_{IN18} = V_{IN30} = 0V

Parameter	Symbol	Conditions	Ratings			Unit
			min	typ	max	
Input Pin	C _{IN}	f = 1MHz			10	pF
Output Pin	C _{OUT}	f = 1MHz			10	pF
Input/Output Pin	C _{I/O}	f = 1MHz			10	pF

LC822152

Electric Characteristics

D.C. Characteristics : Input/Output Levels at Ta = -30 to +70°C, V_{DD30} = 2.7 to 3.3V, V_{SS} = 0V

Parameter	Symbol	Conditions	Ratings			Unit	Applicable Pins
			min	typ	max		
Input High Level Voltage	V _{IH}	CMOS support	0.7V _{DD30}			V	2
Input Low Level Voltage	V _{IL}				0.2V _{DD30}	V	
Input High Level Voltage	V _{IH}	CMOS support Schmitt	0.75V _{DD30}			V	1
Input Low Level Voltage	V _{IL}				0.15V _{DD30}	V	
Input High Level Current	I _{IH}	V _I = V _{DD30}	-10		10	μA	7
		V _I = V _{DD30} , with pull-down resistor	-10		100	μA	6
Input Low Level Current	I _{IL}	V _I = V _{SS}	-10		10	μA	6, 7
Output High Level Voltage	V _{OH}	I _{OH} = -2mA	V _{DD30} -0.8			V	3
		I _{OH} = -4mA	V _{DD30} -0.8			V	8
		I _{OH} = -8mA	V _{DD30} -0.8			V	4
Output Low Level Voltage	V _{OL}	I _{OL} = 1.8mA			0.4	V	3
		I _{OL} = 3.6mA			0.4	V	8
		I _{OL} = 7.2mA			0.4	V	4
Output Leak Current	I _{OZ}	At HiZ Output	-10		10	μA	5
Pull-down Resistor	R _{DN}		50	100	200	kΩ	6
Non-operating Current Dissipation	I _{DD}	Output release V _I =V _{SS} or V _{DD30}			300	μA	

1 : TEST[3:0], XRST, CLKSEL, STBY, SCANEN, SCANMOD

2 : Input pin and dual-directional pin except 1.

3 : Output pin except MCKI and dual-directional pin except 8.

4 : MCKI

5 : Dual-directional pin

6 : PCLK, HREF, VREF, CD[7:0]

7 : Input pin and dual-directional pin except 6.

8 : D[15:0]

Input Clock

When CLKSEL input is "H".

Clock Pin	Maximum Input Frequency (MHz)	Duty
CKI	60	50±10%

Note : The internal operation clock would be 30MHz at a maximum. For 60MHz input, the clock divided by at least 2 must be used as the internal operation clock.

When CLKSEL input is "0" (PLL is used).

Clock Pin	Maximum Input Frequency (MHz)	Duty
CKI	100	50±10%

In addition, setup here must satisfy the following PLL input/output specifications.

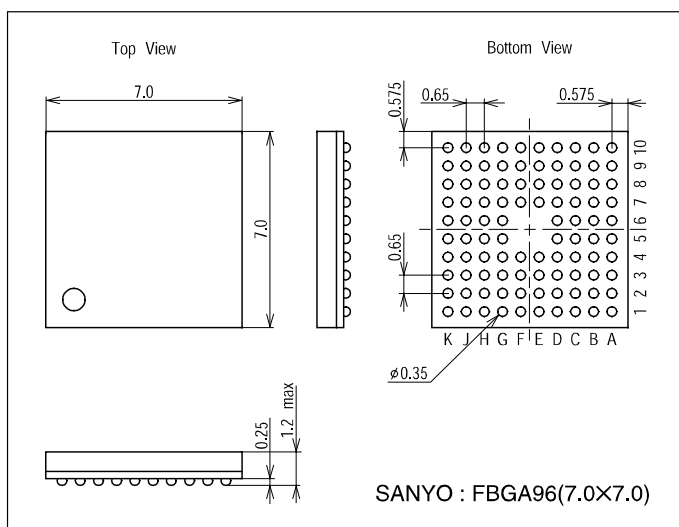
Parameter	Symbol	min	typ	max	Unit
Maximum VCO Oscillation Frequency	f max		180		MHz
Minimum VCO Oscillation Frequency	f min		60		MHz
Phase Contrast Frequency	f ref			30.0	MHz

LC822152

Package Dimensions

unit : mm

3306



Pin Description

No.	Pin Number	Pin Names	I/O	Pin Description	Initial Value
1	B1	V _{SS}		GND	
2	B2	AV _{DD}		Analog system V _{DD} 1.8V power source	
3	C1	VCNT	O	PLL VCNT pin	
4	D4	AV _{SS}		Analog V _{SS}	
5	C2	TEST3	I	Test input 3	L
6	D1	V _{DD} 1.8		1.8V power source	
7	D3	V _{SS}		GND	
8	D2	V _{DD} 3		3V power source	
9	E1	CKI	I	Clock input	
10	E4	CLKSEL	I	Clock dividing select	
11	E3	STBY	I	Stand by	
12	E2	TEST0	I	Test input 0	L
13	F2	XRST	I	Reset	
14	F3	V _{SS}		GND	
15	F4	V _{DD} 3		3V power source	
16	F1	CAMPWR	O	CCD power down	O
17	G2	REGRES	O	CCD reset	O
18	G3	MCKI	O	CCD master clock	O
19	G1	TEST1	I	Test input 1	L
20	H2	TEST2	I	Test input 2	L
21	H3	SDA	B	I ² C data	O
22	H1	SCL	O	I ² C clock	O
23	J1	V _{DD} 1.8		1.8V power source	
24	K1	V _{SS}		GND	
25	K2	V _{DD} 3		3V power source	
26	J2	PCLK	I	CCD pixel clock	PD
27	K3	HREF	I	Horizontal synchronous signal input	PD
28	G4	VREF	I	Vertical synchronous signal input	PD
29	J3	CD7	I	CCD data input	PD
30	K4	CD6	I	CCD data input	PD

Continued on next page

www.DataSheet4U.com

LC822152

Continued from preceding page.

No.	Pin Number	Pin Names	I/O	Pin Description	Initial Value
31	H4	CD5	I	CCD data input	PD
32	J4	CD4	I	CCD data input	PD
33	K5	CD3	I	CCD data input	PD
34	G5	CD2	I	CCD data input	PD
35	H5	CD1	I	CCD data input	PD
36	J5	CD0	I	CCD data input	PD
37	J6	V _{DD} 1.8		1.8V power source	
38	H6	V _{SS}		GND	
39	G6	V _{DD} 3		3V power source	
40	K6	EX1	B	Expanded LCD data bus	
41	J7	EX0	B	Expanded LCD data bus	
42	H7	LCS2	O	Chip select output for sub LCD	1
43	K7	LA	O	LCD address output	-
44	J8	LCS	O	LCD chip select output	1
45	H8	LWR	O	LCD write signal output	1
46	K8	LRD	O	LCD read signal output	1
47	K9	V _{DD} 1.8		1.8V power source	
48	K10	V _{SS}		GND	
49	J10	V _{DD} 3		3V power source	
50	J9	LD15	B	LCD data bus	-
51	H10	LD14	B	LCD data bus	-
52	G7	LD13	B	LCD data bus	-
53	H9	LD12	B	LCD data bus	-
54	G10	LD11	B	LCD data bus	-
55	G8	LD10	B	LCD data bus	-
56	G9	LD9	B	LCD data bus	-
57	F10	LD8	B	LCD data bus	-
58	F7	LD7	B	LCD data bus	-
59	F8	LD6	B	LCD data bus	-
60	F9	LD5	B	LCD data bus	-
61	E9	V _{DD} 3		3V power source	
62	E8	V _{SS}		GND	
63	E7	V _{DD} 1.8		1.8V power source	
64	E10	LD4	B	LCD data bus	-
65	D9	LD3	B	LCD data bus	-
66	D8	LD2	B	LCD data bus	-
67	D10	LD1	B	LCD data bus	-
68	C9	LD0	B	LCD data bus	-
69	C8	CS	I	Chip select input	H
70	C10	CS2	I	Chip select input for sub LCD	H
71	B10	A1	I	Address input	-
72	A10	V _{SS}		GND	
73	A9	V _{DD} 3		3V power source	
74	B9	A0	I	Address input	-
75	A8	WR	I	Write signal input	H
76	D7	RD	I	Read signal input	H
77	B8	INT	O	Interrupt output	1
78	A7	D15	B	Host data bus	-
79	C7	D14	B	Host data bus	-
80	B7	D13	B	Host data bus	-
81	A6	D12	B	Host data bus	-
82	D6	D11	B	Host data bus	-
83	C6	D10	B	Host data bus	-

Continued on next page.

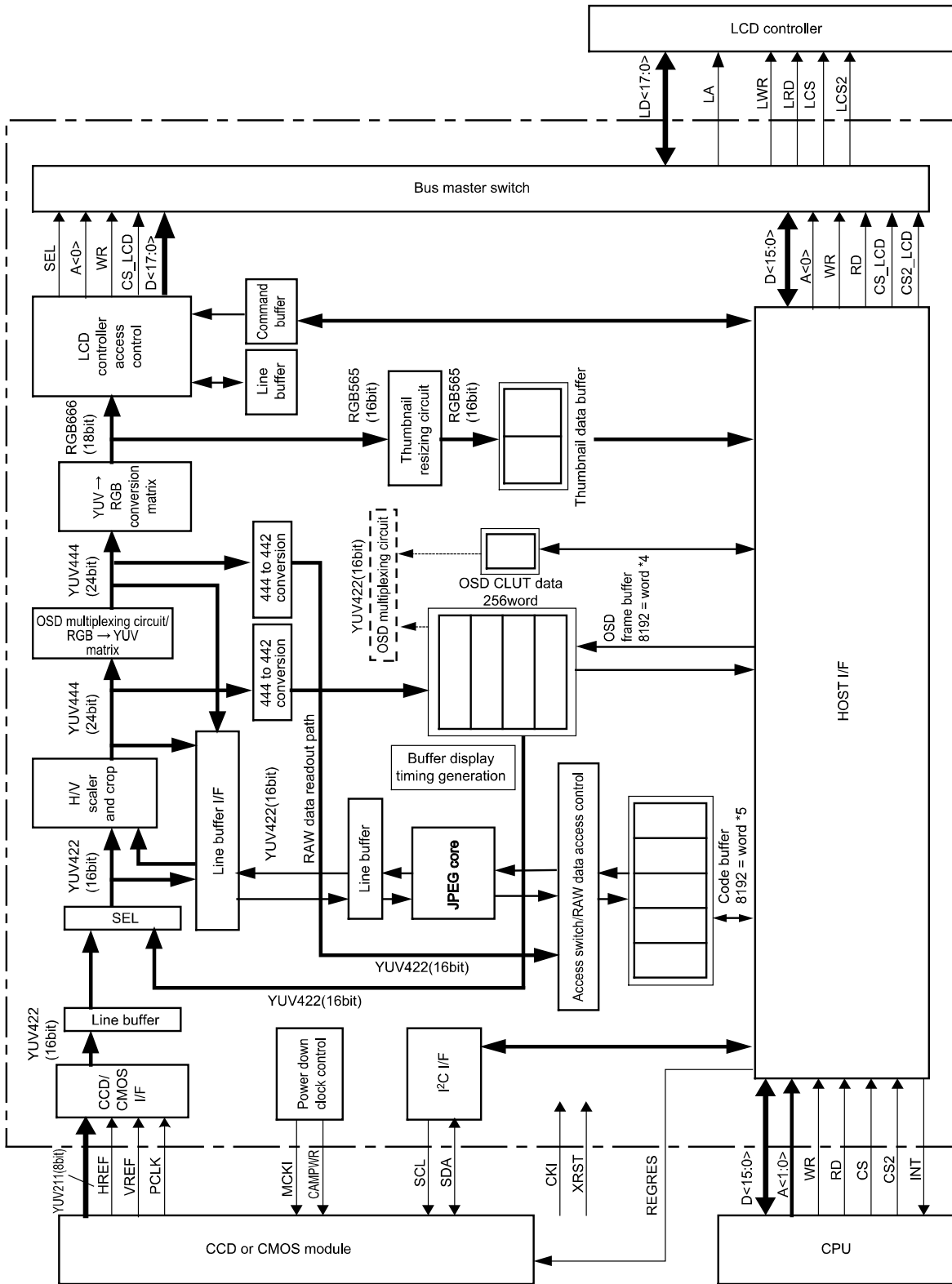
LC822152

Continued from preceding page.

No.	Pin Number	Pin Names	I/O	Pin Description	Initial Value
84	B6	D9	B	Host data bus	-
85	B5	V _{DD1.8}		1.8V power source	
86	C5	V _{SS}		GND	
87	D5	D8	B	Host data bus	-
88	A5	D7	B	Host data bus	-
89	B4	D6	B	Host data bus	-
90	C4	D5	B	Host data bus	-
91	A4	D4	B	Host data bus	-
92	B3	D3	B	Host data bus	-
93	C3	D2	B	Host data bus	-
94	A3	D1	B	Host data bus	-
95	A2	D0	B	Host data bus	-
96	A1	V _{DD3}		3V power source	

LC822152

Block Diagram

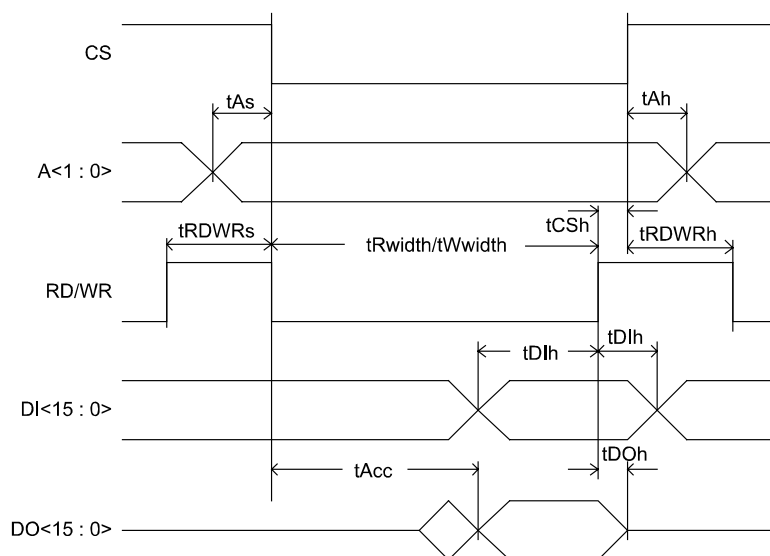


ILC05546

LC822152

AC Characteristics

Host Interface Timing



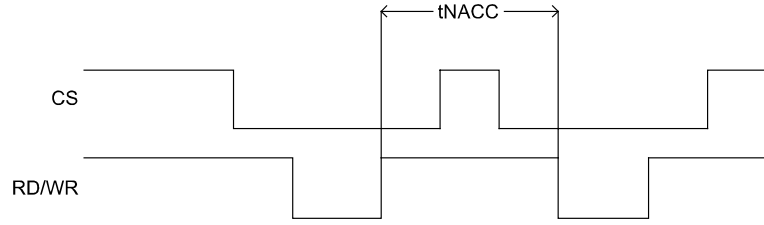
ILC05547

Symbol	Contents	min	max	Unit
tAs	ADDRESS setup time to CS↓	5*1		ns
tAh	ADDRESS hold time from CS↑	5*2		ns
tCSH	CS hold time from RD/WR↑	0		ns
tRDWRs	RD/WR(CS↓) setup time from RD/WR↑	5*1		ns
tRDWRh	RD/WR(CS↑) hold time from RD/WR↓	5		ns
tRwidth	RD pulse width	T+5		ns
tWwidth	WR pulse width	20		ns
tDIh	Input DATA setup time to WR↑	20		ns
tDlh	Input DATA hold time from WR↑	0		ns
tAcc	Output DATA access time from RD↓		50	ns
tDOh	Output DATA hold time from RD↑	2		ns

*1 : Operation at times under 5 ns is also possible by delaying the internal CS with the CS delay setting (CSCHOP register). However, since incorrect operation may occur if an access is performed before the setting is changed, the application must change the setting immediately after power is first applied.

*2 : Operation with an internal command access of 0ns minimum is possible. However, if this signal is input at 0ns when the LCD controller is accessed directly, it is possible that small pulses, such as LCS and LCS2, may be generated.

LC822152



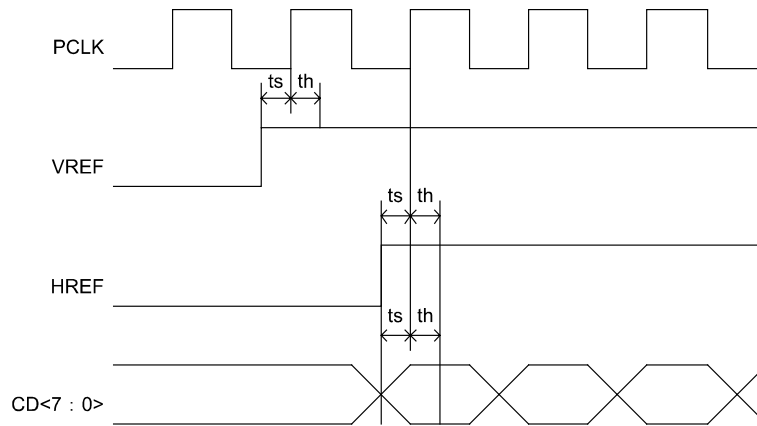
ILC05548

Symbol	Contents		min	Unit
tNACC	RD/WR No Access time	JPEG Q-Table Write	3T	ns
		JPEG Q-Table Read	7T	ns
		Code/Thumbnail buffer Read	4T	ns
		Other access	2T	ns

Note1 : T is a cycle of ASIC internal clock. (1, 2, 4, or 8 times the cycle of CKI input clock)

Note2 : Write access of JPEG Huffman table is subject to the data where access prohibited period is written.

CCD Interface Timing

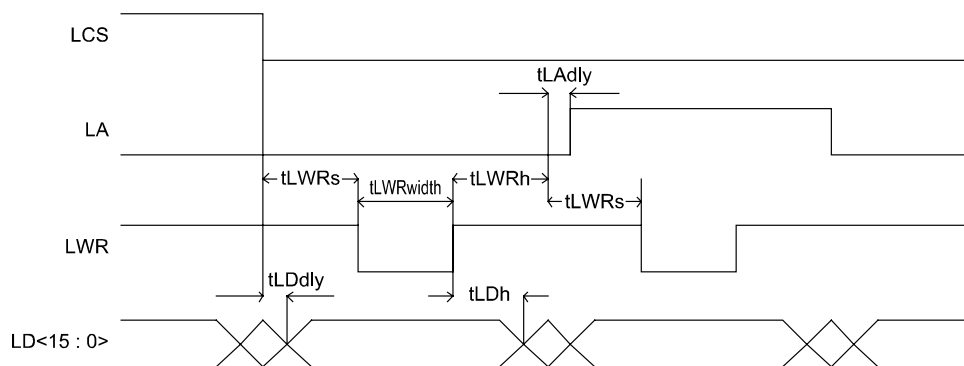


ILC05549

Symbol	Contents	min	typ	max	Unit
ts	Setup time to PCLK	10			ns
th	Hold time from PCLK	5			ns

LC822152

LCD Interface Timing



ILC05550

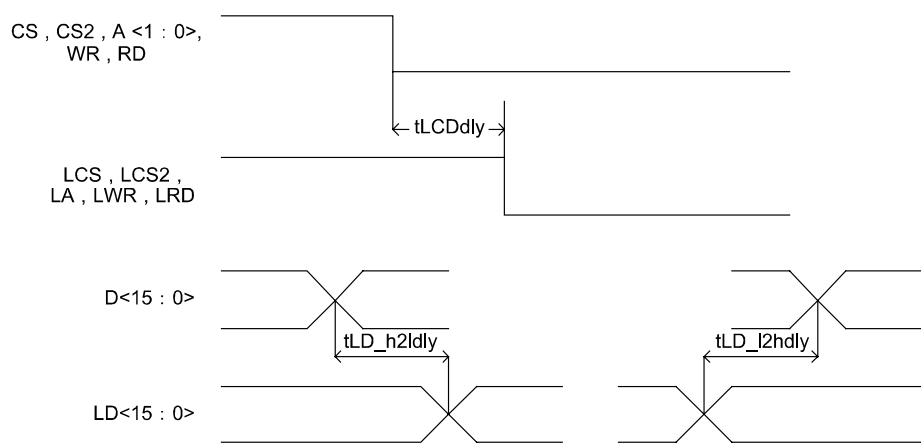
Symbol	Contents	min	max	Unit
tLWRS	LCD access setup time to LWR↓	T-5		ns
tLWRwidth	LWR pulse width	T*n-5		ns
tLWRh	LCD access hold time from LWR↑	T*m-5		ns
tLAdly	LA delay from cycle start		5	
tLDdly	LD delay from cycle start		10	
tLDh	LD hold time from LWR↑	0 (When m = 0 setup)	tLWRh+5	ns

Note1 : T is a cycle of ASIC internal clock. (1, 2, 4, or 8 times the cycle of CKI input clock)

Note2 : n is an ASIC register setting value. Minimum value is 1 (zero).

Note3 : m is an ASIC register setting value. Minimum value is 0 (zero).

Host-LCD Through Timing



ILC05551

Symbol	Contents	min	max	Unit
tLCDdly	HOST to LCD control signal delay		30	ns
tLD_h2dly	HOST to LCD data delay		35	ns
tLD_l2hdly	LCD to HOST data delay		30	ns

LC822152

- Specifications of any and all SANYO products described or contained herein stipulate the performance, characteristics, and functions of the described products in the independent state, and are not guarantees of the performance, characteristics, and functions of the described products as mounted in the customer's products or equipment. To verify symptoms and states that cannot be evaluated in an independent device, the customer should always evaluate and test devices mounted in the customer's products or equipment.
- SANYO Electric Co., Ltd. strives to supply high-quality high-reliability products. However, any and all semiconductor products fail with some probability. It is possible that these probabilistic failures could give rise to accidents or events that could endanger human lives, that could give rise to smoke or fire, or that could cause damage to other property. When designing equipment, adopt safety measures so that these kinds of accidents or events cannot occur. Such measures include but are not limited to protective circuits and error prevention circuits for safe design, redundant design, and structural design.
- In the event that any or all SANYO products(including technical data, services) described or contained herein are controlled under any of applicable local export control laws and regulations, such products must not be exported without obtaining the export license from the authorities concerned in accordance with the above law.
- No part of this publication may be reproduced or transmitted in any form or by any means, electronic or mechanical, including photocopying and recording, or any information storage or retrieval system, or otherwise, without the prior written permission of SANYO Electric Co., Ltd.
- Any and all information described or contained herein are subject to change without notice due to product/technology improvement, etc. When designing equipment, refer to the "Delivery Specification" for the SANYO product that you intend to use.
- Information (including circuit diagrams and circuit parameters) herein is for example only ; it is not guaranteed for volume production. SANYO believes information herein is accurate and reliable, but no guarantees are made or implied regarding its use or any infringements of intellectual property rights or other rights of third parties.

This catalog provides information as of September, 2004. Specifications and information herein are subject to change without notice.

www.DataSheet4U.com