



LC8901, 8901Q

Digital Audio Interface Receiver

Overview

The LC8901 and LC8901Q are LSIs for use in IEC958, EIAJ CP-1201 format data transmission between digital audio equipment. These LSIs are used on the receiving side, and handle synchronization with the input signal and demodulation of that signal to a normal format signal.

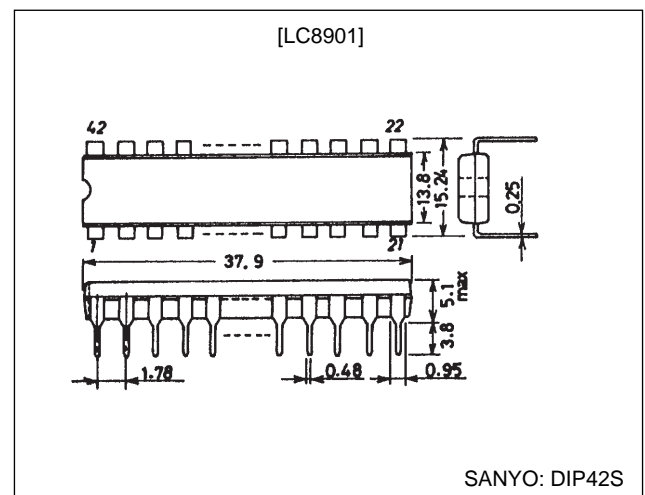
Features

- On-chip PLL circuit synchronizes with the transmitted IEC958, EIAJ CP-1201 format signal.
- Provides 20-bit LSB first and 16-bit MSB first audio data output functions.
- Microprocessor interface for mode settings and code output
- System clock can be selected to be either 384fs or 512fs.
- Provides both a digital source mode and an analog source mode.
- Fabricated in a Si-gate CMOS process.
- 5 V single-voltage power supply

Package Dimensions

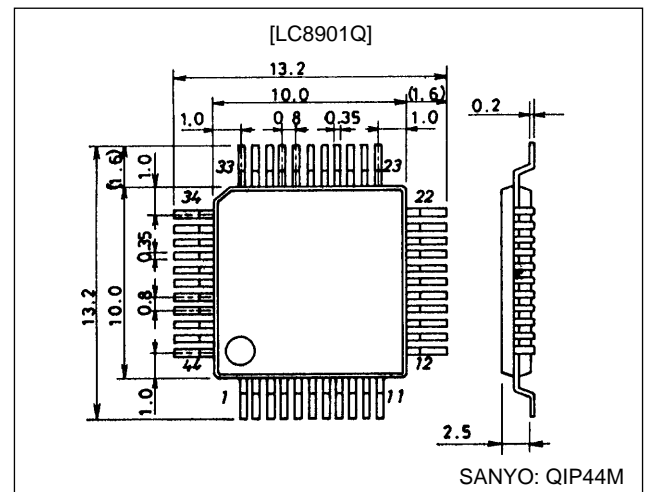
unit: mm

3025B-DIP42S



unit: mm

3148-QIP44M

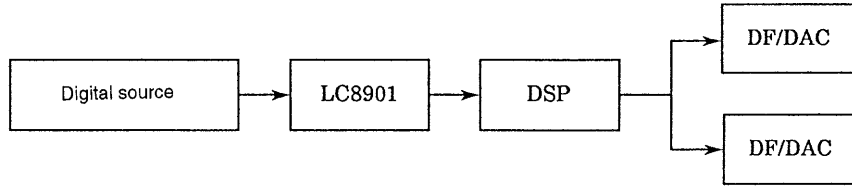


LC8901, 8901Q

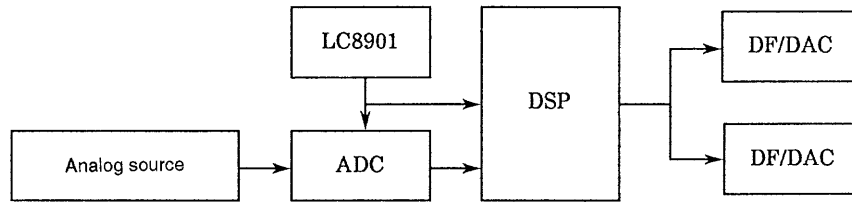
Usage overview diagram

Assumes the use of both digital and analog source modes.

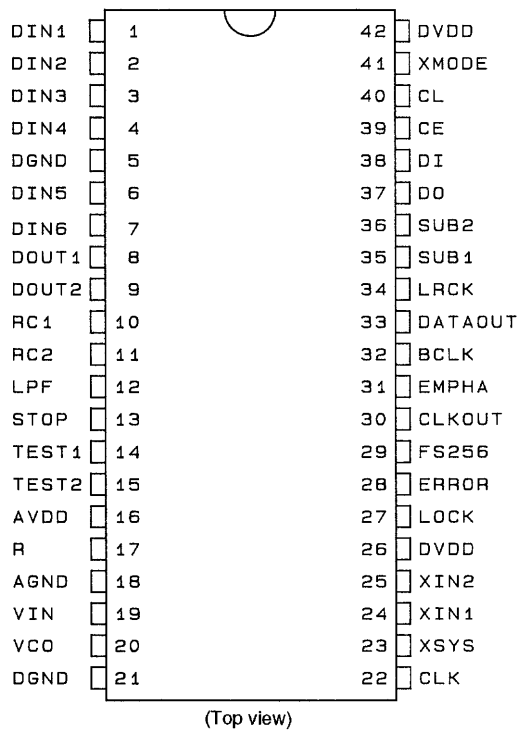
Digital source mode



Analog source mode

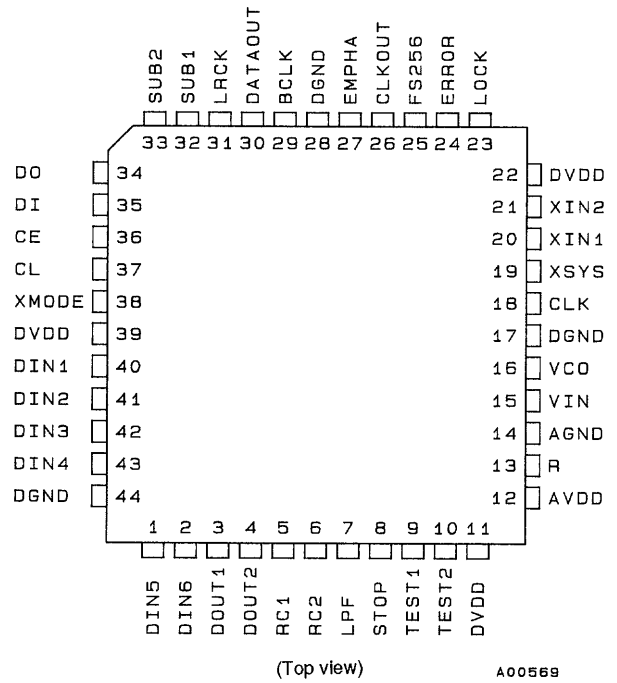


Pin Assignment



A00568

LC8901 (DIP42S)

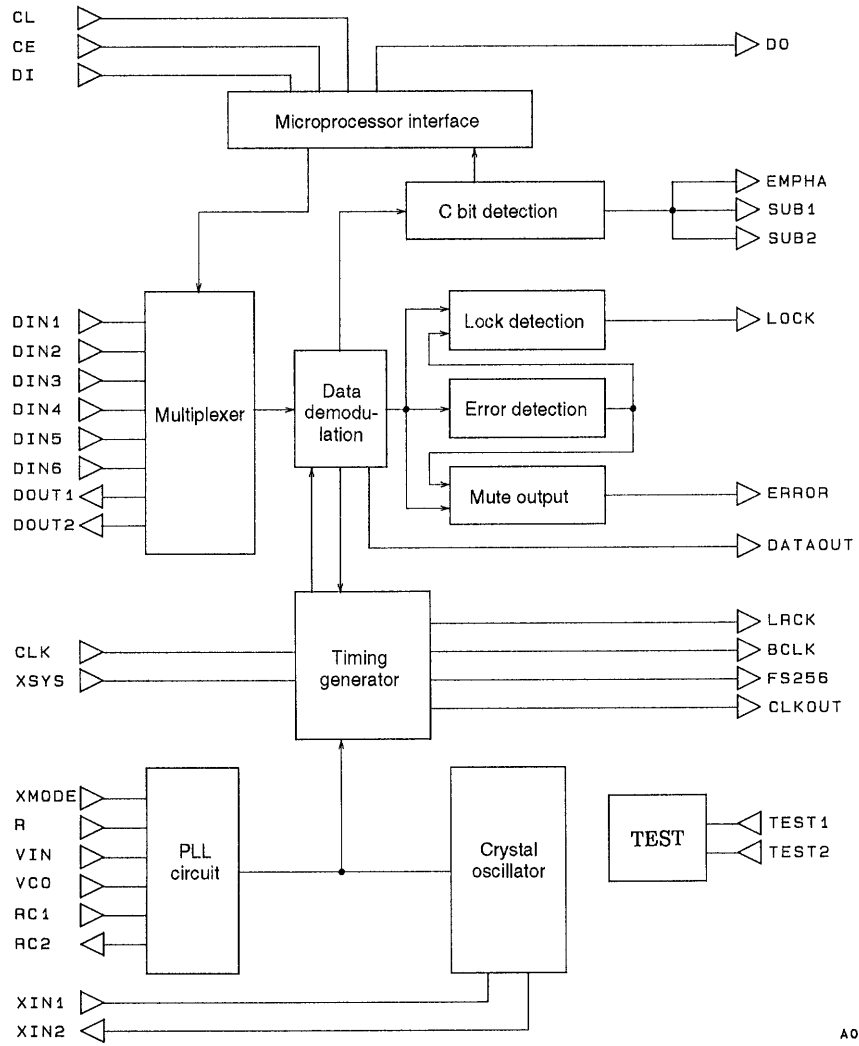


A00569

LC8901Q (QIP44M)

LC8901, 8901Q

Block Diagram



A00572

LC8901, 8901Q

Pin Functions

LC8901 (DIP42S)

Pin No.	Symbol	I/O	Pin function and circuit operation
1	DIN1	I	Data input pins with built-in amplifiers
2	DIN2	I	
3	DIN3	I	
4	DIN4	I	
5	DGND	—	Digital system ground
6	DIN5	I	Data input pins without built-in amplifiers
7	DIN6	I	
8	DOUT1	O	Input data through output
9	DOUT2	O	
10	RC1	I	RC oscillator connection
11	RC2	O	
12	LPF	I	High: LPF time constant switching mode, low: fixed mode. This pin is normally high.
13	STOP	I	High: VCO operation stopped, low: normal operation
14	TEST1	I	Test pins (These pins are normally low.)
15	TEST2	I	
16	AV _{DD}	—	Analog system power supply
17	R	I	VCO oscillator band adjustment
18	AGND	—	Analog system ground
19	VIN	I	VCO free-running oscillator setup
20	VCO	O	PLL low-pass filter
21	DGND	—	Digital system ground
22	CLK	I	Clock mode switching. High: 512fs, low: 384fs
23	XSYS	I	Crystal mode setting. High: crystal mode
24	XIN1	I	Crystal oscillator connection
25	XIN2	O	
26	DV _{DD}	—	Digital system power supply
27	LOCK	O	High: PLL locked, low: unlocked
28	ERROR	O	Error mute signal output
29	FS256	O	256fs clock output
30	CLKOUT	O	VCO oscillator and crystal oscillator clock output
31	EMPHA	O	High: emphasis present, low: no emphasis
32	BCLK	O	Bit clock output
33	DATAOUT	O	Audio data output
34	LRCK	O	Left/right clock output. High: left channel, low: right channel
35	SUB1	O	Sampling frequency output
36	SUB2	O	
37	DO	O	Microprocessor interface output
38	DI	I	Microprocessor interface input
39	CE	I	Microprocessor interface chip enable input
40	CL	I	Microprocessor interface clock input
41	XMODE	I	Used to start system operation after power on.
42	DV _{DD}	—	Digital system power supply

Note: The DIP42S package version has one fewer each of the digital system power supply and digital system ground pins than the QIP44M package version.

LC8901, 8901Q

LC8901Q (QIP44M)

Pin No.	Symbol	I/O	Pin function and circuit operation
1	DIN5	I	Data input pins without built-in amplifiers
2	DIN6	I	
3	DOUT1	O	Input data through output
4	DOUT2	O	
5	RC1	I	RC oscillator connection
6	RC2	O	
7	LPF	I	High: LPF time constant switching mode, low: fixed mode. This pin is normally high.
8	STOP	I	High: VCO operation stopped, Low: normal operation
9	TEST1	I	Test pins (These pins are normally low.)
10	TEST2	I	
11	DV _{DD}	—	Digital system power supply
12	AV _{DD}	—	Analog system power supply
13	R	I	VCO oscillator band adjustment
14	AGND	—	Analog system ground
15	VIN	I	VCO free-running oscillator setup
16	VCO	O	PLL low-pass filter
17	DGND	—	Digital system ground
18	CLK	I	Clock mode switching. High: 512fs, low: 384fs
19	XSYS	I	Crystal mode setting. High: crystal mode
20	XIN1	I	Crystal oscillator connection
21	XIN2	O	
22	DV _{DD}	—	Digital system ground
23	LOCK	O	High: PLL locked, low: unlocked
24	ERROR	O	Error mute signal output
25	FS256	O	256fs clock output
26	CLKOUT	O	VCO oscillator and crystal oscillator clock output
27	EMPHA	O	High: emphasis present, low: no emphasis
28	DGND	—	Digital system ground
29	BCLK	O	Bit clock output
30	DATAOUT	O	Audio data output
31	LRCK	O	Left/right clock output. High: left channel, low: right channel
32	SUB1	O	Sampling frequency output
33	SUB2	O	
34	DO	O	Microprocessor interface output
35	DI	I	Microprocessor interface input
36	CE	I	Microprocessor interface chip enable input
37	CL	I	Microprocessor interface clock input
38	XMODE	I	Used to start system operation after power on.
39	DV _{DD}	—	Digital system power supply
40	DIN1	I	Data input pins with built-in amplifiers
41	DIN2	I	
42	DIN3	I	
43	DIN4	I	
44	DGND	—	Digital system ground

Specifications

Absolute Maximum Ratings at $T_a = 25^\circ\text{C}$

Parameter	Symbol	Conditions	Ratings	Unit
Maximum supply voltage	V_{DD} max		-0.3 to +7.0	V
Maximum input voltage	V_{IN} max		-0.3 to $V_{DD} + 0.3$	V
Maximum output voltage	V_{OUT} max		-0.3 to $V_{DD} + 0.3$	V
Operating temperature	T_{opr}		-30 to +75	$^\circ\text{C}$
Storage temperature	T_{stg}		-55 to +125	$^\circ\text{C}$

Allowable Operating Ranges

Parameter	Symbol	Conditions	min	typ	max	Unit
Supply voltage	V_{DD}		4.5	5.0	5.5	V
Operating temperature	T_{opr}		-30		+75	$^\circ\text{C}$

DC Characteristics at $T_a = -30$ to $+75^\circ\text{C}$, $V_{DD} = 4.5$ to 5.5 V

Parameter	Symbol	Conditions	min	typ	max	Unit
Input high-level voltage	V_{IH}	*1	2.2		$V_{DD} + 0.3$	V
Input low-level voltage	V_{IL}	*1	-0.3		0.8	V
Input high-level voltage	V_{IH}	*2	$0.8 V_{DD}$		$V_{DD} + 0.3$	V
Input low-level voltage	V_{IL}	*2	-0.3		$0.2 V_{DD}$	V
Output high-level voltage	V_{OH}	$I_{OH} = -1 \mu\text{A}$	$V_{DD} - 0.05$			V
Output low-level voltage	V_{OL}	$I_{OL} = +1 \mu\text{A}$			$V_{SS} + 0.05$	V
Current drain	I_{DD}	*3	10	20	30	mA
Input amplitude	V_{IN}	*4	0.4		$V_{DD} + 0.3$	Vp-p

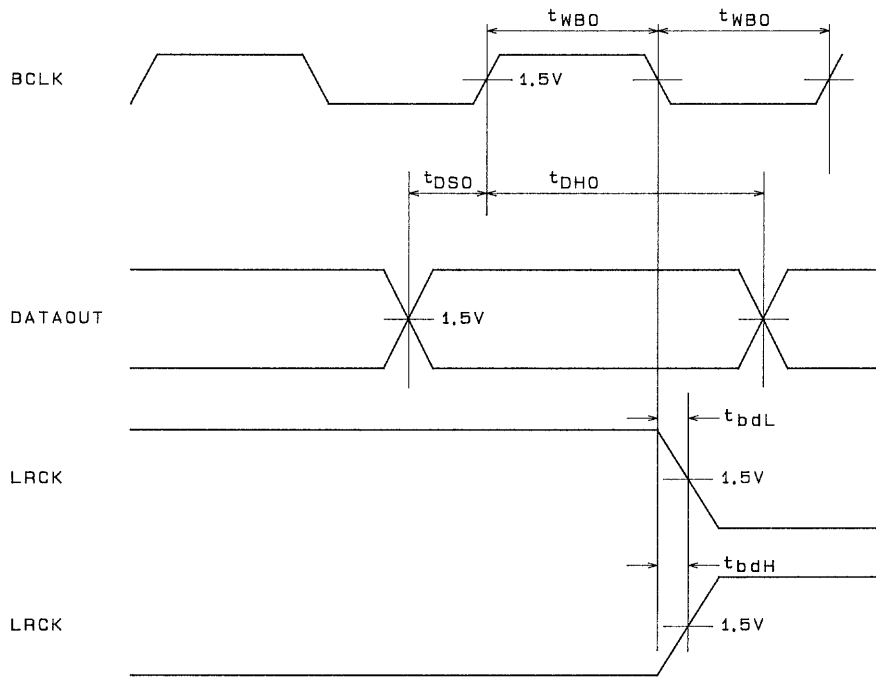
- Note: 1. Input pins other than the data input pins DIN1, DIN2, DIN3, and DIN4, and the XMODE pin
 2. XMODE pin
 3. When $V_{DD} = 5.0$ V, $T_a = 25^\circ\text{C}$, and the input data F_S is 48 kHz
 4. At the conditions prior to the input capacitance of the data input pins DIN1, DIN2, DIN3, and DIN4

AC Characteristics at $T_a = -30$ to $+75^\circ\text{C}$, $V_{DD} = 4.5$ to 5.5 V

Parameter	Symbol	Conditions	min	typ	max	Unit
Output pulse width	t_{WBO}	$f_s = 48$ kHz	160			ns
Output setup time	t_{DSO}		80			ns
Output data hold time	t_{DHO}		80			ns
Output delay for high	t_{bdH}		-10	0	10	ns
Output delay for low	t_{bdL}		-10	0	10	ns

Note: Load capacitance: Each pin has a load capacitance of 30 pF.

Waveforms for the AC Characteristics



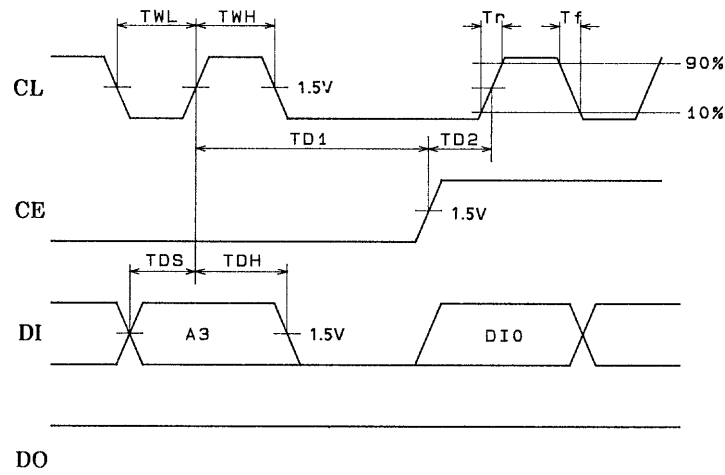
A00570

Microprocessor Interface Block AC Characteristics at $T_a = -30$ to $+75^\circ\text{C}$, $V_{DD} = 4.5$ to 5.5 V

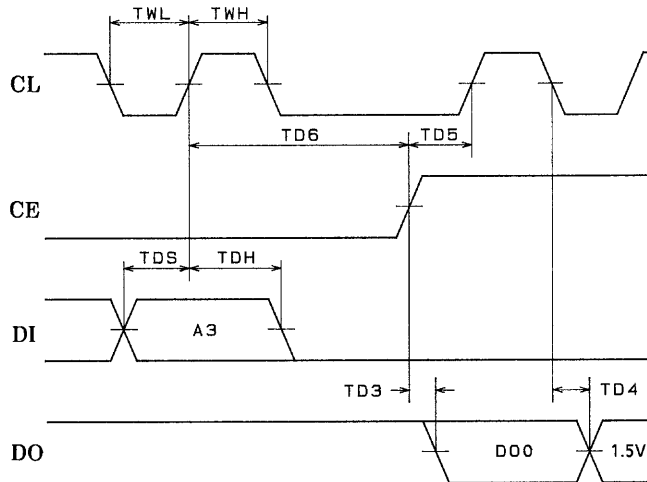
Parameter	Symbol	Conditions	min	typ	max	Unit
CL low-level pulse width	TWL		100			ns
CL high-level pulse Width	TWH		100			ns
Data setup time	TDS		50			ns
Data hold time	TDH		50			ns
CL rise time	Tr	CL, CE, DI			30	ns
CL fall time	Tf	CL, CE, DI			30	ns
CE delay time	TD1		1.0			μs
CL delay time	TD2		50			ns
Data delay time	TD3	With a 30 pF load			25	ns
CL and data delay time	TD4	With a 30 pF load			50	ns
CL delay time	TD5		100			ns
CL and CE delay time	TD6		1.0			μs

Waveforms for the Microprocessor Interface Block

Input mode



Output mode



Clock Modes

The LC8901 and LC8901Q support 4 clock modes selected by the XSYS and CLK pins.

XSYS pin	CLK pin	Mode
L	L	The system clock is 384fs. It is synchronized to the input data, which is then demodulated.
L	H	The system clock is 512fs. It is synchronized to the input data, which is then demodulated.
H	L	The system clock is 384fs, but data is neither synchronized nor demodulated. The 256fs, BCLK, and LRCK signals are output based on the crystal oscillator.
H	H	The system clock is 512fs, but data is neither synchronized nor demodulated. The 256fs, BCLK, and LRCK signals are output based on the crystal oscillator.

1. When the CLK pin is low, the 256fs clock duty is H:L = 2:1.
2. When the CLK pin is high, the duty is 1:1.
3. Modes in which XSYS is high assume the analog source mode from the usage overview diagram.
4. The LSI automatically switches to analog source mode if there is no signal applied to the data demodulation input pin.
5. The STOP pin controls stopping the VCO. In analog source mode, the system will not stop if the STOP pin is set high. However, setting this pin high in digital source mode while the PLL circuit is operating will stop the system.

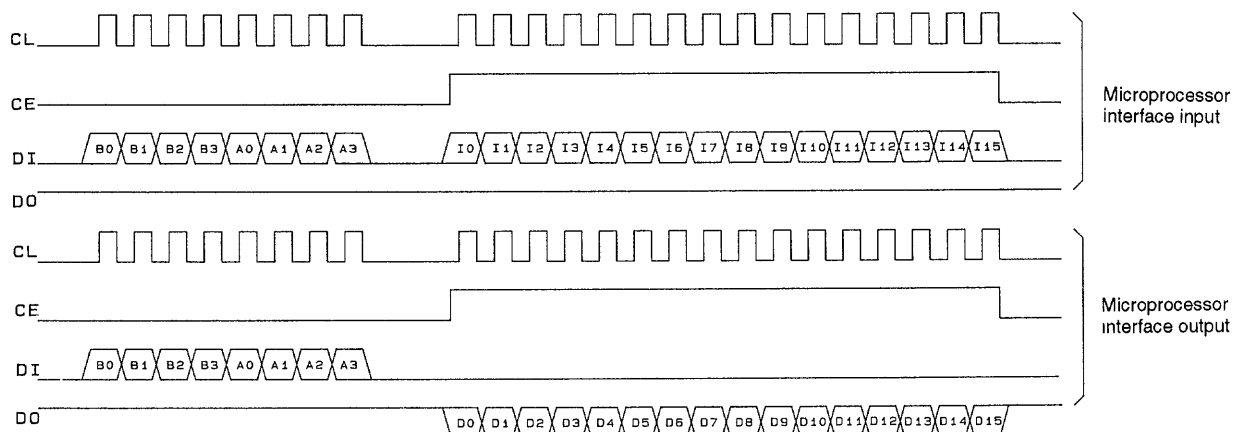
LPF Pin

Setting the LPF pin high sets the PLL low-pass filter time constant to a mode in which it is automatically switched by the PLL locking state. This pin should be set high normally.

Microprocessor Interface

The data input pin setting, output data format setting, and subcode output are controlled through the microprocessor interface. The following item describes the interface I/O formats.

Microprocessor Interface Format



A00573

Address

Bits B0 to A3 in the format figure are the address. There are two dedicated addresses allocated, one for data input and one for data output. Use the input address for data input and the output address for data output.

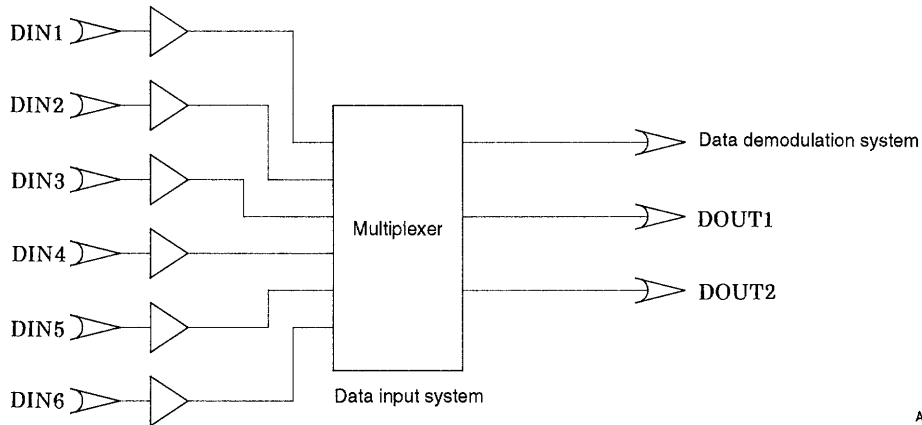
Address Codes

Mode	B0	B1	B2	B3	A0	A1	A2	A3
Data input	H	L	H	L	L	H	H	L
Data output	L	H	H	L	L	H	H	L

Microprocessor Interface Input

1. Input pin setting

The data input pins DIN1 to DIN4 have built-in amplifiers and can receive signals from a minimum amplitude of 400 mV_{p-p} to a maximum amplitude of V_{DD} plus 0.3 V. Pins DIN5 and DIN6 do not have built-in amplifiers and are only for use with optical inputs. Amplifiers must be inserted before the inputs if these pins are to be used with coaxial input.



A00574

The data input system multiplexer is controlled by input from the microprocessor interface. The tables show the relationship between the microprocessor interface I5 to I13 codes and the data demodulation, DOUT1, and DOUT2 signals. Bits I0 to I4 and I15 are ignored.

I5	L	H	L	H	L	H	L	H
I6	L	L	H	H	L	L	H	H
I7	L	L	L	L	H	H	H	H
Data demodulation input	DIN1	DIN2	DIN3	DIN4	DIN5	DIN6	GND	GND

I8	L	H	L	H	L	H	L	H
I9	L	L	H	H	L	L	H	H
I10	L	L	L	L	H	H	H	H
DOUT1	DIN1	DIN2	DIN3	DIN4	DIN5	DIN6	GND	GND

I11	L	H	L	H	L	H	L	H
I12	L	L	H	H	L	L	H	H
I13	L	L	L	L	H	H	H	H
DOUT2	DIN1	DIN2	DIN3	DIN4	DIN5	DIN6	GND	GND

2. Audio data output mode setting

There are two audio data output modes, one with a 16-bit MSB first format and one with a 20-bit LSB first format. The I14 code determines the setting.

I14	L	H
Audio data output mode	16-bit MSB first format	20-bit LSB first format

Microprocessor Interface Output

The table lists the content of the bits D0 to D15 in the microprocessor interface format.

Bit	Meaning
D0	Invalid bit. A low level is always output.
D1 D2	Indicate the sampling frequency. Correspond to the 2 external output port pins.
D3	Indicates the copy flag. Low: copy protected, high: copying allowed.
D4	Outputs the first bit in the channel status bits.
D5 to D12	These bits serially output the 8 bits of the channel status category code.
D13 D15	Invalid bit. A low level is always output.

Interpretation of Bits D1 and D2

Sampling frequency	32 kHz	44.1 kHz	48 kHz	#1
D1	H	L	L	H
D2	H	L	H	L

1. The #1 state is the state in which the data was cleared by a PLL lock error.
2. The initial settings of the modes immediately after the XMODE pin is switched from low to high are all low level. However, D1 and D2 will indicate the #1 state.
3. The microprocessor data output registers are all cleared to 0 when PLL locking is lost. However, D1 and D2 will indicate the #1 state.
4. The interval between two microprocessor data readout operations must be at least 6 ms. Also, when PLL locking is lost the microprocessor must wait at least 6 ms after the error signal goes low before accessing data.

FS Code

The SUB1 and SUB2 pins indicate the input data sampling frequency.

Sampling frequency	32 kHz	44.1 kHz	48 kHz	#1
SUB1	H	L	L	H
SUB2	H	L	H	L

The #1 state is the state in which the data was cleared by a PLL lock error.

Lock and Errors

1. LOCK pin: This pin goes high when preamble detection has succeeded for 2 consecutive frames and thus indicates the PLL locked state. This pin is low at all other times. In particular, it is low when the XMODE pin is low, when the STOP pin is high, and in analog source mode.
2. ERROR pin: Goes high when an error exists in the input data or when the PLL circuit is in the unlocked state. When the data returns to normal it holds the high level for about 200 to 300 ms and then falls to low. This period is inversely proportional to the input data sampling frequency. This pin is high when the XMODE pin is low, when the STOP pin is high, and in analog source mode.
3. Data processing when errors occur: The table below lists the data processing that is performed when an error occurs.

Error type	Audio output data	C bit output data
Continuous parity errors for up to 8 cycles	The previous data value is output	Held
Continuous parity errors for 9 or more cycles	All zero data is output	Held
PLL lock error	All zero data is output	Data is cleared and the #1 state is indicated.

Note: The term "C bit data" means data that was decoded from the channel status bit.

- When there is no data input to the data demodulation system, the system automatically switches from PLL operation to the crystal oscillator and enters analog source mode.
- These pins indicate a state identical to a PLL lock error in any of the following cases: The STOP pin is high, the XMODE pin is low, or the system is in analog source mode.

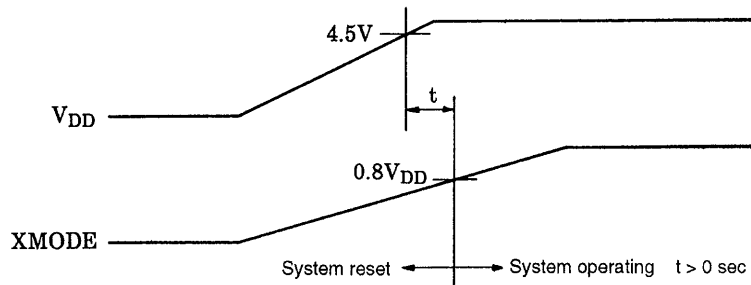
PLL

1. The VCO is formed from a ring oscillator.
2. PLL operation starts when correct data is input to the data demodulation system and the XMODE pin goes high.
3. The low-pass filter time constant can be automatically switched according to the PLL lock state by setting the LPF pin high.
4. To prevent PLL locking failures, if a PLL locking operation is started and the PLL does not lock within a fixed period, reinitialize the PLL system, and start the PLL locking operation again.
5. PLL operation is forcibly stopped by setting the STOP pin high. Normal operation will start again if the pin is set low.

XMODE Pin

The XMODE pin resets the system. Normal system operation is started by setting this pin high after the power supply voltage has risen to at least 4.5 V. If the XMODE pin is set low, the VCO free-running clock is output from the FS384 pin and the internal circuits are reset.

Power-on Sequence Diagram



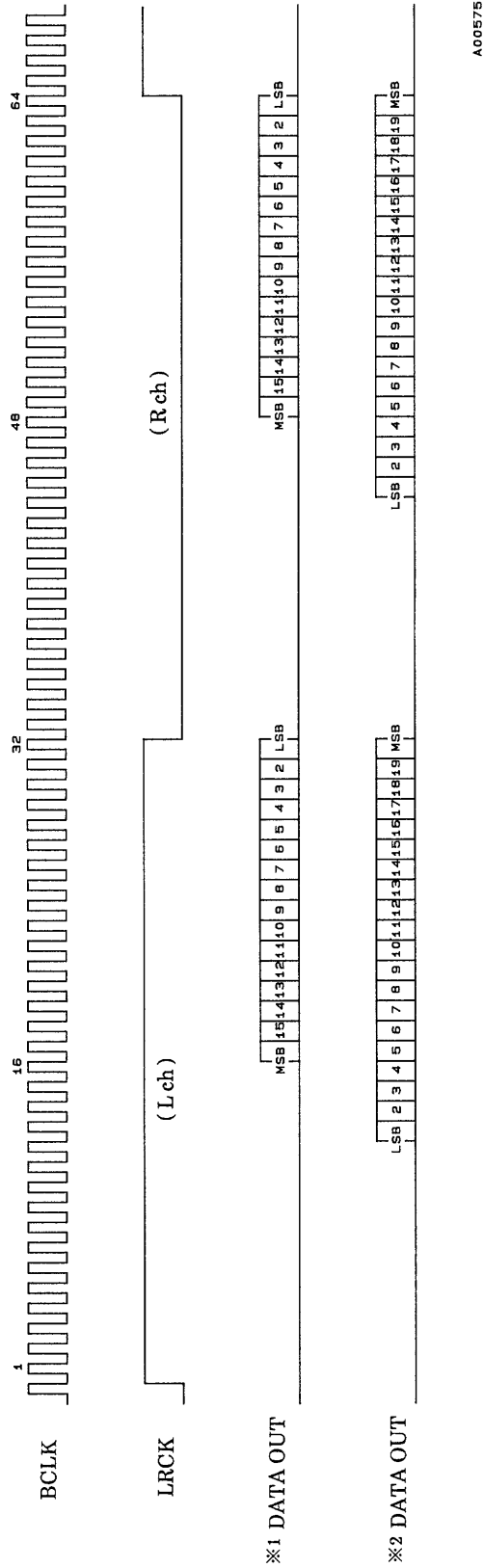
1. No input pins should be accessed until the XMODE pin has gone high and the system has started to operate.
2. The microprocessor interface pins must not be accessed until the XMODE pin has gone high and the system has started to operate.
3. The data output pins must not be accessed until the ERROR pin has gone low after the XMODE pin has gone high.

Data Output Timing

The figure below shows the data output timing.

1. Data is output in synchronization with the falling edge of the BCLK signal.
2. Data, BCLK, and LRCK are output in synchronization with the rising edge of the 256fs clock.

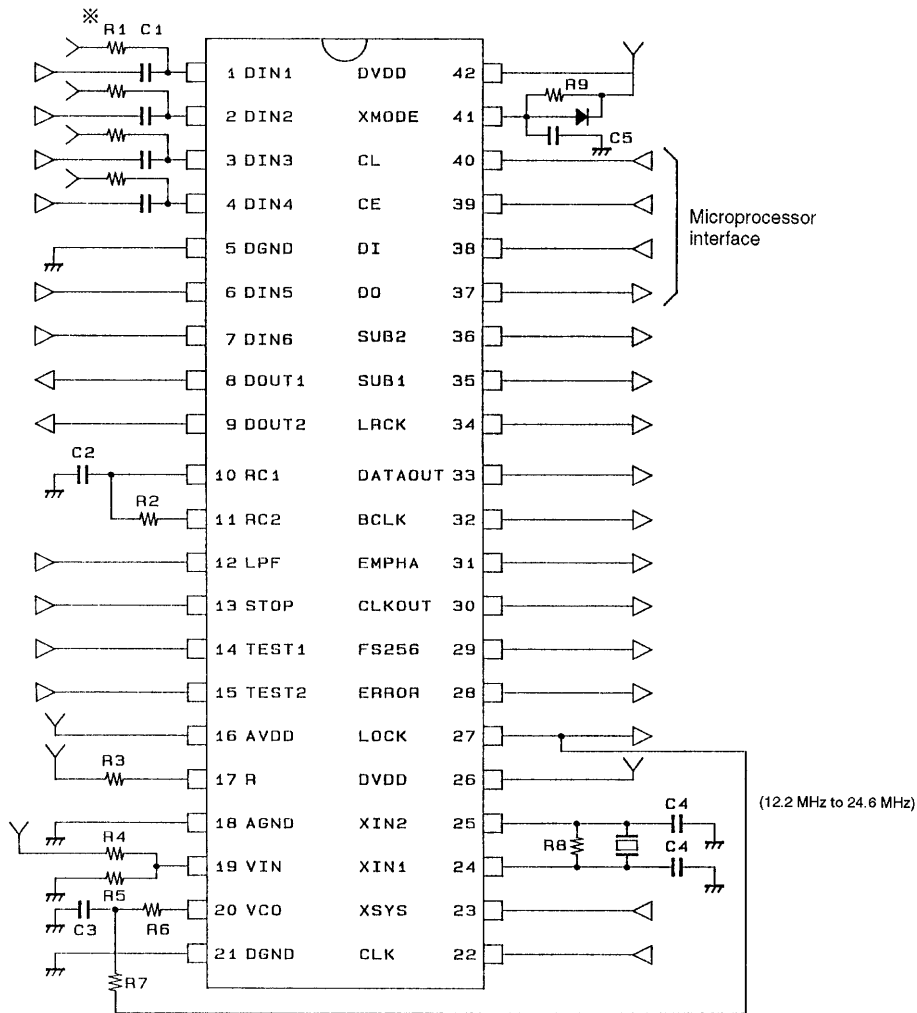
Timing Chart



Note: 1. Output data for 16-bit MSB first mode
2. Output data for 20-bit LSB first mode

A00575

Sample Application Circuit



A00576

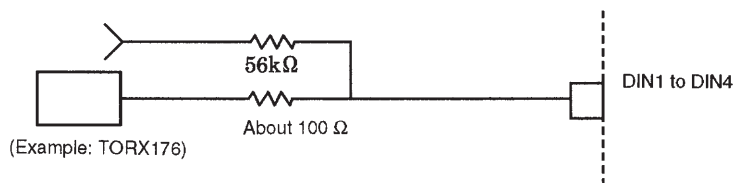
Note: All input pin resistors and capacitors are the same.

Recommended Constants for the Application Circuit

Item	Symbol	Constant value
Resistors	R1	330 kΩ*
	R2	33 kΩ
	R3	24 kΩ
	R4	5.1 kΩ
	R5	5.1 kΩ
	R6	150 Ω
	R7	180 kΩ
	R8	200 kΩ
	R9	10 kΩ
Capacitors	C1	0.1 μF*
	C2	1000 pF
	C3	0.01 μF
	C4	10 pF to 47 pF
	C5	10 μF to 100 μF

Note: * The constants listed above are for applications that connect to the input pins using coaxial cable. If connection is through an optical receiver module, remove the C1 capacitors and use 56 kΩ resistors for R1.
Note that DIN5 and DIN6 are only for use with optical receiver modules.

Sample Optical Receiver Module Circuit



- No products described or contained herein are intended for use in surgical implants, life-support systems, aerospace equipment, nuclear power control systems, vehicles, disaster/crime-prevention equipment and the like, the failure of which may directly or indirectly cause injury, death or property loss.
- Anyone purchasing any products described or contained herein for an above-mentioned use shall:
 - ① Accept full responsibility and indemnify and defend SANYO ELECTRIC CO., LTD., its affiliates, subsidiaries and distributors and all their officers and employees, jointly and severally, against any and all claims and litigation and all damages, cost and expenses associated with such use:
 - ② Not impose any responsibility for any fault or negligence which may be cited in any such claim or litigation on SANYO ELECTRIC CO., LTD., its affiliates, subsidiaries and distributors or any of their officers and employees jointly or severally.
- Information (including circuit diagrams and circuit parameters) herein is for example only; it is not guaranteed for volume production. SANYO believes information herein is accurate and reliable, but no guarantees are made or implied regarding its use or any infringements of intellectual property rights or other rights of third parties.

This catalog provides information as of February, 1997. Specifications and information herein are subject to change without notice.