

LC898123XC



ON Semiconductor®

www.onsemi.com

CMOS LSI

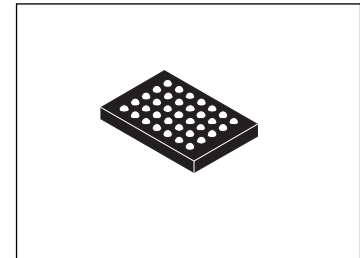
OIS/AF Controller & Driver

Overview

LC898123XC is a system LSI integrating an on-chip 32bit DSP, a Flash Memory and peripherals including analog circuits for OIS(Optical Image Stabilizer) /AF(Auto Focus) control and H-bridge and constant current drivers.

Features

- On-chip 32-bit DSP
 - Built-in software digital servo filter
 - Built-in Gyro filter
- Flash Memory
 - 12k Byte Flash memory to store data and DSP program
- Peripherals
 - AD converter
 - 12bit
 - Input 4ch
 - Equipped with a sample-hold circuit
 - DA converter
 - 8bit
 - Output 3ch
 - Built-in Serial I/F circuit (2-wire Bus) (1MHz)
 - Built-in Hall Bias circuit
 - Built-in Hall Amp (Gain of Op-amp : ×6, ×12, ×50, ×75, ×100, ×150, ×200)
 - Built-in OSC (Oscillator)
 - Typ. 41MHz (with Frequency adjustment function)
 - Built-in LDO (Low Drop-Out regulator)
 - Digital Gyro I/F for various types of gyro (SPI Bus)
- Motor Driver
 - OIS
 - Constant current linear driver (×2ch, $I_{full}=195mA$)
 - H-bridge driver (×2ch, $I_{o max}=220mA$)
 - OP-AF (unidirection)
 - Constant current linear driver (×1ch, $I_{full}=135mA$)
 - OP-AF (bidirection)
 - Constant current linear driver (×1ch, $I_{full}=130mA$)
- Package
 - WLCSP35 (3.39mm × 2.3mm)
 - Pb-Free / Halogen Free
- Power Supply Voltage
 - AD/DA/VGA/LDO/OSC : AVDD30=2.6V to 3.6V
 - Digital I/O : DVDD30=2.6V to 3.6V
 - Driver : VM=2.6V to 3.6V
 - Core Logic : Generation by on-chip LDO
DVDD15=1.5V (typ) output

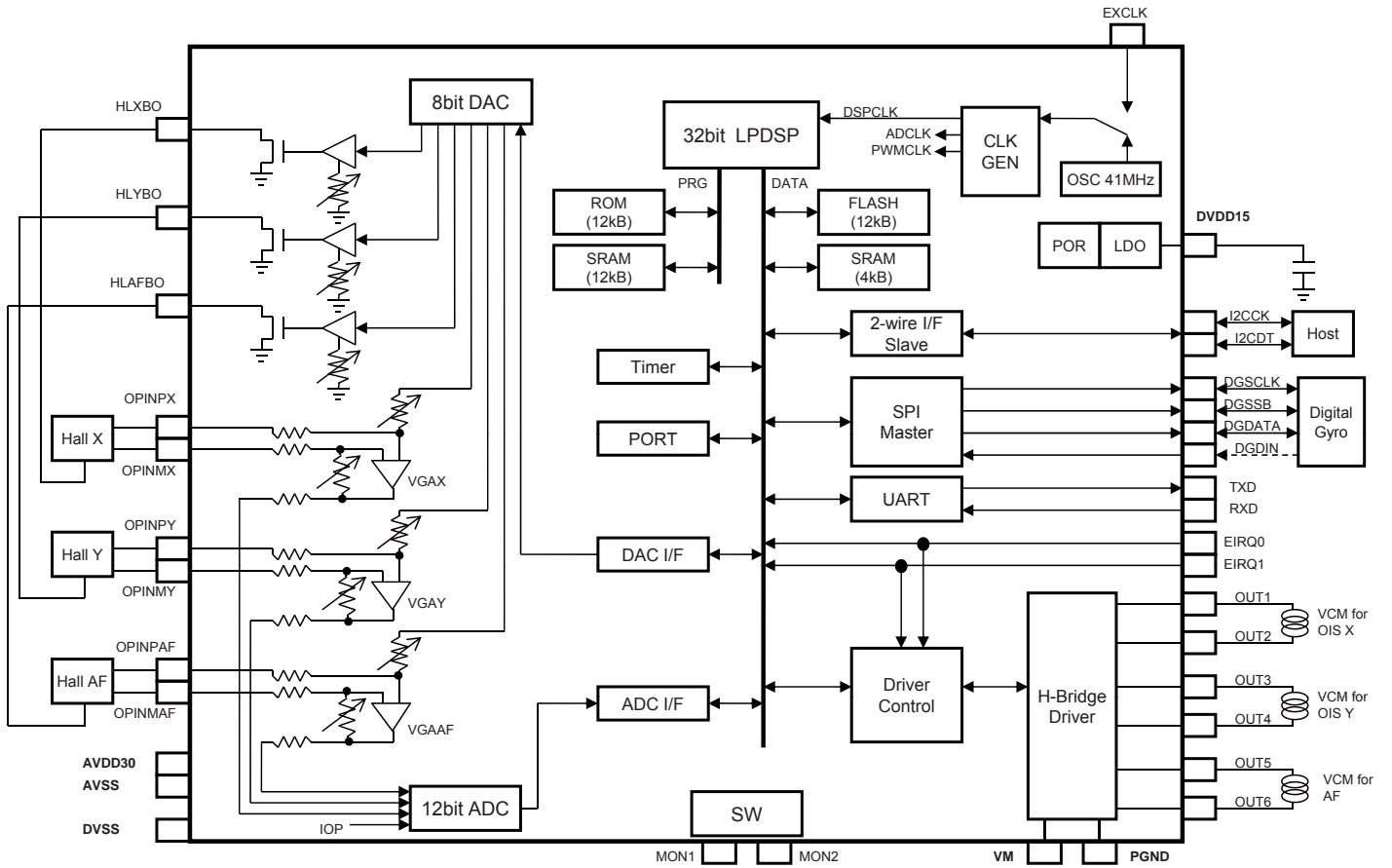


WLCSP35 3.39x2.3

ORDERING INFORMATION

See detailed ordering and shipping information on page 12 of this data sheet.

Block Diagram



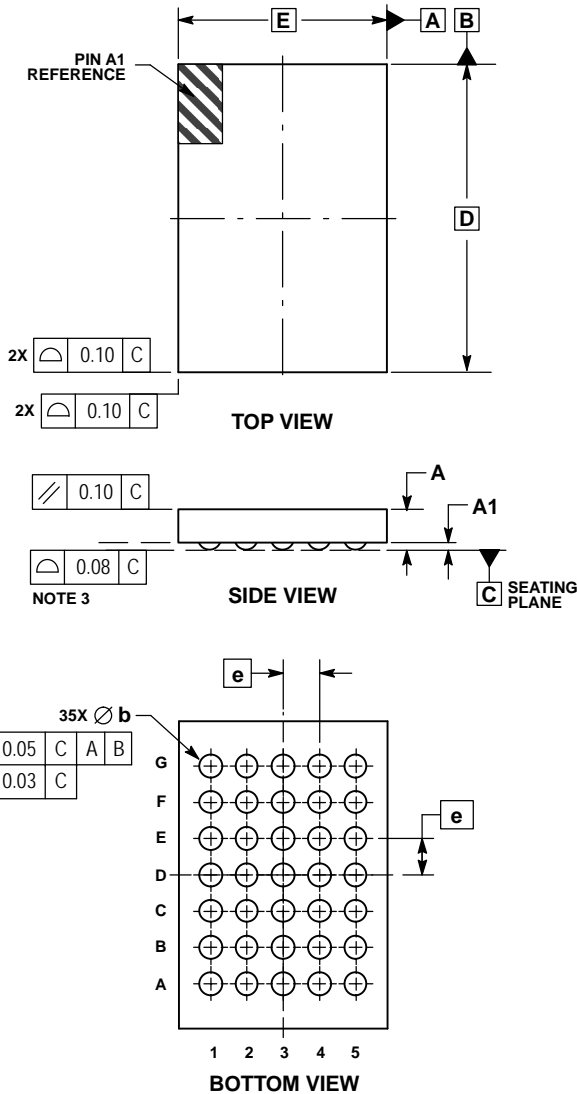
Package Dimensions

unit : mm

WLCSP35, 3.39x2.3

CASE 567JG

ISSUE O

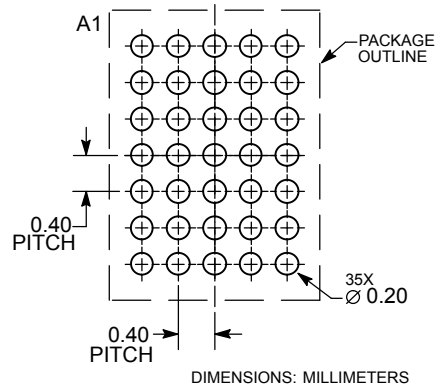


NOTES:

1. DIMENSIONING AND TOLERANCING PER ASME Y14.5M, 1994.
2. CONTROLLING DIMENSION: MILLIMETERS.
3. COPLANARITY APPLIES TO SPHERICAL CROWNS OF SOLDER BALLS.

DIM	MILLIMETERS	
	MIN	MAX
A	---	0.45
A1	0.03	0.13
b	0.15	0.25
D	3.39 BSC	
E	2.30 BSC	
e	0.40 BSC	

RECOMMENDED SOLDERING FOOTPRINT*






*For additional information on our Pb-Free strategy and soldering details, please download the ON Semiconductor Soldering and Mounting Techniques Reference Manual, SOLDERRM/D.

Pin Assignment

Bottom View

5	OUT5	OUT3	OUT4	PGND	OUT2	OUT1	RXD
4	OUT6	DGDATA	DGSSB	VM	I2CDT	I2CCK	TXD
3	HlafBO	DGSCLK	DVSS	NC	EXCLK	DGDIN	EIRQ1
2	HLYBO	HLXBO	OPINM AF	OPINMX	OPINMY	EIRQ0	MON2
1	OPINP AF	OPINPX	OPINPY	AVSS	AVDD30	DVDD15	MON1
	G	F	E	D	C	B	A

	Driver
	VDD/VSS
	Internal Digital VDD Output

Pin Description

I/O		Pin Specification			
I	Input	3IC	3V CMOS Input	3IA	3V Analog Input
O	Output	3IS	3V CMOS Schmitt Input	3OA	3V Analog Output
B	Bidirection	3ICUD	3V CMOS Input with PullUp/PullDown		
P	Power	3ISUD	3V CMOS Schmitt Input with PullUp/PullDown		
		3ICD	3V CMOS Input with PullDown		
		3ISD	3V CMOS Schmitt Input with PullDown		
		3O2	3V 2mA Output		
		3T2	3V 2mA TriState Output	Z/U/D	HiZ/PullUp/PullDown
		3OD	3V 2mA Open Drain Output	H/L	HIGH/LOW

3IC	3V CMOS Input		3O2	3V 2mA Output	
3IS	3V Schmitt Input		3T2	3V 2mA TriState Output	
3ICUD	3V CMOS Input with PullUp/PullDown		3OD	3V 2mA Open Drain Output	
3ISUD	3V Schmitt Input with PullUp/PullDown				
3ICD	3V CMOS Input with Pulldown				
3ISD	3V Schmitt Input with Pulldown				

LC898123XC

Pin	I/O	I/O Spec	Primary Function		Sub Functions		Init
A1	MON1	B	3ICUD	3T2 3OA	(Debugger Data Input)	I2C Data I/O for DAC Monitor	Z
						Servo Monitor Analog Out	
						Internal Signal Monitor	
A2	MON2	B	3ICUD	3T2 3OA	(Debugger Data Output)	I2C Data I/O for DAC Monitor	Z
						Servo Monitor Analog Out	
						Internal Signal Monitor	
A3	EIRQ1	B	3ISUD	3T2 3OA	External IRQ	I2C Data I/O for DAC Monitor	Z
					External Clock Input	UART Data Input(RXD)	
						Servo Monitor Analog Input	
A4	TXD	B	3ICUD	3T2	UART Data Output	I2C Data I/O for DAC Monitor	Z
						I2C Data for I2C Master	
						Internal Signal Monitor	
A5	RXD	B	3ICUD	3T2	UART Data Input	I2C Data I/O for DAC Monitor	Z
						I2C Clock for I2C Master	
						Internal Signal Monitor	
B1	DVDD15	P			Internal LDO Power Output		-
B2	EIRQ0	B	3ICD	3OD	External IRQ0	I2C Data I/O for DAC Monitor	Z
						UART Data Output(TXD)	
						Internal Signal Monitor	
B3	DGDIN	B	3ICUD	3T2	Digital Gyro Data Input (4 Wired)	I2C Data I/O for DAC Monitor	U
B4	I2CCK	B	3IS	3OD	I2C Clock	Internal Signal Monitor	Z
B5	OUT1	O		3OA	OIS Driver Output (H-Bridge or Linear)		-
C1	AVDD30	P			Analog Power (2.6 to 3.6V)		-
C2	OPINMY	I	3IA		OIS Hall Y Opamp Input Minus		-
C3	EXCLK	B	3ISD	3OD	External Clock Input	I2C Data I/O for DAC Monitor	Z
					External IRQ1	Internal Signal Monitor	
C4	I2CDT	B	3IS	3OD	I2C Data		Z
C5	OUT2	O		3OA	OIS Driver Output (H-Bridge or Linear)		-
D1	AVSS	P			Analog GND		-
D2	OPINMX	I	3IA		OIS Hall X Opamp Input Minus		-
D3	NC	-			No Connection		-
	DVSS	P			Logic GND		-
D4	VM	P			Driver Power (2.6V to 3.6V)		-
D5	PGND	P			Driver GND		-

LC898123XC

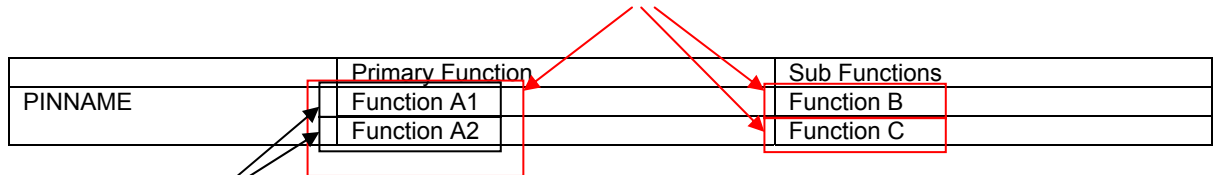
	Pin	I/O	I/O Spec		Primary Function	Sub Functions	Init
E1	OPINPY	I	3IA		OIS Hall Y Opamp Input Plus		-
E2	OPINMAF	I	3IA		AF Hall OpAmp Input Minus		-
E3	DVSS	P			Logic GND		-
E4	DGSSB	B	3ICUD	3T2	Digital Gyro I/F Chip Select Input	Digital Gyro I/F Chip Select Output	U
					Digital Gyro I/F Chip Select Output	Internal Signal Monitor	
E5	OUT4	O		3OA	OIS Driver Output (H-Bridge or Linear)		-
F1	OPINPX	I	3IA		OIS Hall X Opamp Input Plus		-
F2	HLXBO	O		3OA	OIS Hall X Bias Output		-
F3	DGSCCLK	B	3ICUD	3T2	Digital Gyro I/F Clock Input	Digital Gyro Clock Output	U
					Digital Gyro I/F Clock Output	Internal Signal Monitor	
F4	DGDATA	B	3ICUD	3T2	Digital Gyro Data I/F Output (4 Wired)	Digital Gyro I/F Data I/O (3 Wired)	U
						Internal Signal Monitor	
F5	OUT3	O		3OA	OIS Driver Output (H-Bridge or Linear)		-
G1	OPINPAF	I	3IA		AF Hall Opamp Input Plus		-
G2	HLYBO	O		3OA	OIS Hall Y Bias Output		-
G3	HAFBO	O		3OA	AF Hall Bias Output		-
G4	OUT6	O		3OA	AF Driver Output(H-Bridge,Linear)		-
G5	OUT5	O		3OA	AF Driver Output(H-Bridge,Linear)		-

[How to select the function]

The initial function right after reset is set to be “Function A1” in the below table.

You can change the function by CmIOPN, CmMstMode, CmExtClkSel.

One of Function A,B,C... can be selected by CmIOPN [N=0,1,2,...10] register.



DGSSB, DGSCCLK: CmMstMode selects A1 or A2.
EXCLK, EIRQ1: CmExtClkSel selects A1 or A2.

Electrical Characteristics

Logic

Absolute Maximum Rating at $V_{SS}=0V$

Parameter	Symbol	Conditions	Ratings	Unit
Power supply voltage	$V_{AD30\ max}$	$T_a \leq 25^\circ C$	-0.3 to 4.6	V
Input/Output voltage	V_{AI30}, V_{AO30}	$T_a \leq 25^\circ C$	-0.3 to $V_{AD30}+0.3$	V
	V_{DI30}, V_{DO30}	$T_a \leq 25^\circ C$	-0.3 to $V_{DD30}+0.3$	V
Storage temperature	T_{stg}		-55 to 125	$^\circ C$
Operating temperature	T_{opr}		-30 to 85	$^\circ C$

Stresses exceeding those listed in the Maximum Ratings table may damage the device. If any of these limits are exceeded, device functionality should not be assumed, damage may occur and reliability may be affected.

Allowable Operating Ratings at $T_a=-30$ to $85^\circ C$, $V_{SS}=0V$

3.0V Power Supply (AV_{DD30})

Parameter	Symbol	Min	Typ	Max	Unit
Power supply voltage	V_{AD30}	2.6	3.0	3.6	V
Input voltage range	V_{IN}	0	-	3.6	V

Functional operation above the stresses listed in the Recommended Operating Ranges is not implied. Extended exposure to stresses beyond the Recommended Operating Ranges limits may affect device reliability.

D.C. Characteristics at Input/Output $V_{SS}=0V$, $AV_{DD}=2.6$ to $3.6V$, $T_a=-30$ to $85^\circ C$

Parameter	Symbol	Conditions	Min	Typ	Max	Unit	Applicable I/O
High-level input voltage	V_{IH}	CMOS schmitt	1.48			V	3IS, 3ISUD, 3ISD
Low-level input voltage	V_{IL}				0.37	V	
High-level input voltage	V_{IH}	CMOS supported	1.40				3IC, 3ICUD, 3ICD
Low-level input voltage	V_{IL}				0.51	V	
High-level output voltage	V_{OH}	$I_{OH}=-2mA$	AV_{DD30} -0.4			V	3O2, 3T2
Low-level output voltage	V_{OL}	$I_{OL}=2mA$			0.4	V	
Low-level output voltage	V_{OL}	$I_{OL}=2mA$			0.2	V	3OD
Analog input voltage	V_{AI}		AV_{SS}		AV_{DD30}	V	3IA
PullUp resistor	R_{up}		50		200	K Ω	3ICUD, 3ISUD
PullDown resistor	R_{dn}		50		220	K Ω	3ICUD, 3ISUD, 3ISD, 3ICD

Product parametric performance is indicated in the Electrical Characteristics for the listed test conditions, unless otherwise noted. Product performance may not be indicated by the Electrical Characteristics if operated under different conditions.

Non-volatile Memory Characteristics

Parameter	Symbol	Condition	Min	Typ	Max	Unit
Endurance	EN				1000	Cycles
Data retention	RT		10			Years

LC898123XC

Driver

Absolute Maximum Ratings

Parameter	Symbol	Condition	Ratings	Symbol
Power supply voltage	VM max		4.6	V
Output peak current	I _{opeak}	OUT1 to 4 T ≤ 10ms, ON-duty ≤ 20%	300	mA
		OUT5, OUT6 t ≤ 10ms, ON-duty ≤ 20%	200	mA
Output continuous current	I _{omax}	OUT1 to 4	220	mA
		OUT5, OUT6	150	mA

Stresses exceeding those listed in the Maximum Ratings table may damage the device. If any of these limits are exceeded, device functionality should not be assumed, damage may occur and reliability may be affected.

Allowable Operating Range

Parameter	Symbol	Condition	Ratings	Symbol
Ambient temperature	Topg		-30 to +85	°C
Power supply voltage	VM		2.6 to 3.6	V

Functional operation above the stresses listed in the Recommended Operating Ranges is not implied. Extended exposure to stresses beyond the Recommended Operating Ranges limits may affect device reliability.

H-Bridge Driver Output Characteristics at Ta=25°C, AV_{DD30}=VM=3.0V

Parameter	Symbol	Condition	Ratings (Ω)	Symbol
Output ON resistance OUT1 to OUT4	R _{onu}	I _o =220mA (Pch)	1.1	Ω
	R _{ond}	I _o =220mA (Nch)	1.3(*)	Ω
Output ON resistance OUT5, OUT6	R _{onu}	I _o =150mA (Pch)	1.5	Ω
	R _{ond}	I _o =150mA (Nch)	1.4(*)	Ω

(*) include Constant current detect resistance

Constant Current Driver Output at Ta=25°C, AV_{DD30}=VM=2.8V

Parameter	Symbol	Condition	Min	Typ	Max	Unit
Output Current OUT1 to OUT4	I _{full}	OIS_DA[10:0]=7FFh OIS_DB[10:0]=7FFh	175.5	195.0	214.5	mA
		OP-AF(unidirection) AF_D[9:0]=3FFh	121.5	135.0	148.5	mA
Output Current OUT5, OUT6	I _{full}	OP-AF(bidirection) AF_D[9:0]=3FFh	117.0	130.0	143.0	mA
Compliance Voltage OUT1 to OUT4	V _{comp}		0.4			V
		OP-AF(unidirection)	0.4			V
Compliance Voltage OUT5,OUT6	V _{comp}	OP-AF(bidirection)	0.5			V

Total output current is less than 500mA.

OP-AF(unidirection)

$$\text{VCM resistance (R}_{\text{vcn}}) = (\text{VM} - \text{V}_{\text{comp}}) / \text{I}_o \text{ [}\Omega\text{]}$$

OP-AF(bidirection)/OIS

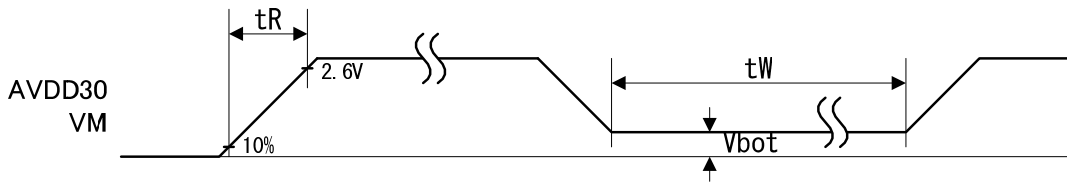
$$\text{VCM resistance (R}_{\text{vcn}}) = (\text{VM} - (\text{Ronu} \times \text{I}_o + \text{V}_{\text{comp}})) / \text{I}_o \text{ [}\Omega\text{]}$$

$$\text{Output ON resistance (R}_{\text{on}}) = \text{VM} / \text{I}_o - \text{R}_{\text{vcn}} \text{ [}\Omega\text{]}$$

Product parametric performance is indicated in the Electrical Characteristics for the listed test conditions, unless otherwise noted. Product performance may not be indicated by the Electrical Characteristics if operated under different conditions.

AC Characteristics

Power Sequence



Item	Symbol	Min	Typ	Max	Units
Rise time	tR			5	ms
Wait time	tW	100			ms
Bottom Voltage	Vbot			0.2	V

Don't care about injection order between AVDD30 and VM.

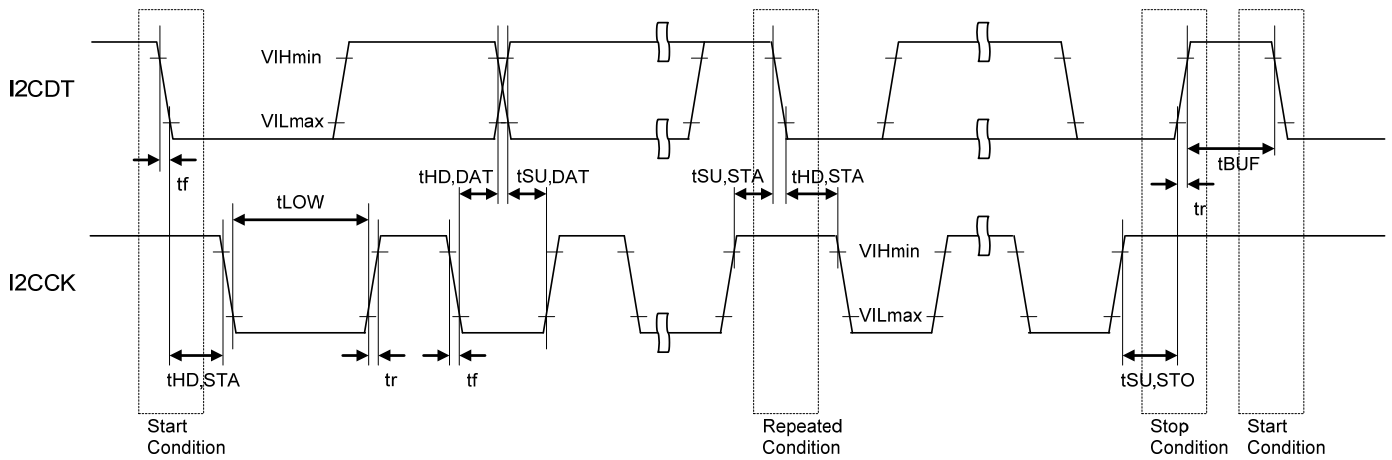
I2CDT, I2CCK, EXCLK and EIRQ0 tolerate 3V input at the time of power off.

The data in the flash memory may be destroyed if you do not keep specifications.

And it is forbidden to power off during flash access. The data in the flash memory may be destroyed.

2-wire serial Interface Timing

The communication protocol is compatible with I²C (Fast mode Plus). This circuit has clock stretch function.



I²C interface timing definition

Item	Symbol	Pin name	Min	Typ	Max	Units
SCL clock frequency	Fscl	I2CCK			1000	kHz
START condition hold time	tHD,STA	I2CCK I2CDT	0.26			μs
SCL clock Low period	tLOW	I2CCK	0.5			μs
SCL clock High period	tHIGH	I2CCK	0.26			μs
Setup time for repetition START condition	tSU,STA	I2CCK I2CDT	0.26			μs
Data hold time	tHD,DAT	I2CCK I2CDT	0 (*1)		0.9	μs
Data setup time	tSU,DAT	I2CCK I2CDT	50			ns
SDA, SCL rising time	tr	I2CCK I2CDT			120	ns
SDA, SCL falling time	tf	I2CCK I2CDT			120	ns
STOP condition setup time	tSU,STO	I2CCK I2CDT	0.26			μs
Bus free time between STOP and START	tBUF	I2CCK I2CDT	0.5			μs

(*1) Although the I²C specification defines a condition that 300 ns of hold time is required internally, LC898123 is designed for a condition with typ. 100 ns of hold time. If SDA signal is unstable around falling point of SCL signal, please implement an appropriate treatment on board, such as inserting a resistor.

ORDERING INFORMATION

Device	Package	Shipping (Qty / Packing)
LC898123XC-VH	WLCSP35, 3.39x2.3 (Pb-Free / Halogen Free)	4000 / Tape & Reel

ON Semiconductor and the ON logo are registered trademarks of Semiconductor Components Industries, LLC (SCILLC) or its subsidiaries in the United States and/or other countries. SCILLC owns the rights to a number of patents, trademarks, copyrights, trade secrets, and other intellectual property. A listing of SCILLC's product/patent coverage may be accessed at www.onsemi.com/site/pdf/Patent-Marking.pdf. SCILLC reserves the right to make changes without further notice to any products herein. SCILLC makes no warranty, representation or guarantee regarding the suitability of its products for any particular purpose, nor does SCILLC assume any liability arising out of the application or use of any product or circuit, and specifically disclaims any and all liability, including without limitation special, consequential or incidental damages. "Typical" parameters which may be provided in SCILLC data sheets and/or specifications can and do vary in different applications and actual performance may vary over time. All operating parameters, including "Typicals" must be validated for each customer application by customer's technical experts. SCILLC does not convey any license under its patent rights nor the rights of others. SCILLC products are not designed, intended, or authorized for use as components in systems intended for surgical implant into the body, or other applications intended to support or sustain life, or for any other application in which the failure of the SCILLC product could create a situation where personal injury or death may occur. Should Buyer purchase or use SCILLC products for any such unintended or unauthorized application, Buyer shall indemnify and hold SCILLC and its officers, employees, subsidiaries, affiliates, and distributors harmless against all claims, costs, damages, and expenses, and reasonable attorney fees arising out of, directly or indirectly, any claim of personal injury or death associated with such unintended or unauthorized use, even if such claim alleges that SCILLC was negligent regarding the design or manufacture of the part. SCILLC is an Equal Opportunity/Affirmative Action Employer. This literature is subject to all applicable copyright laws and is not for resale in any manner.