

SANYO

No. 5114

LC89973M**PAL CCD Delay Line****Overview**

The LC89973M is a CCD delay line for PAL television systems. It incorporates a comb filter for chrominance signal and a 1H delay line for luminance signal.

Structure

- NMOS + CCD

Structure

- NMOS + CCD

Functions

- Two CCD shift registers (for chrominance and luminance signals)
- CCD drive circuits
- CCD stage count switching circuit
- CCD signal adder
- Auto-bias circuit
- Sync tip clamping circuit (luminance signal)
- Center-bias circuit (chrominance signal)
- Sample-and-hold circuit
- PLL 3 × frequency multiplier
- fsc clock output circuit
- RD voltage generator

Features

- 5 V single-voltage power supply
- Built-in PLL 3 × frequency multiplier circuit allows 3 fsc operation from an fsc (4.43 MHz) input.
- Control pin switchable to handle PAL/GBI and 4.43 MHz NTSC systems.
- Built-in chrominance signal crosstalk exclusion comb filter features high precision comb characteristics in an adjustment-free circuit.

Specifications

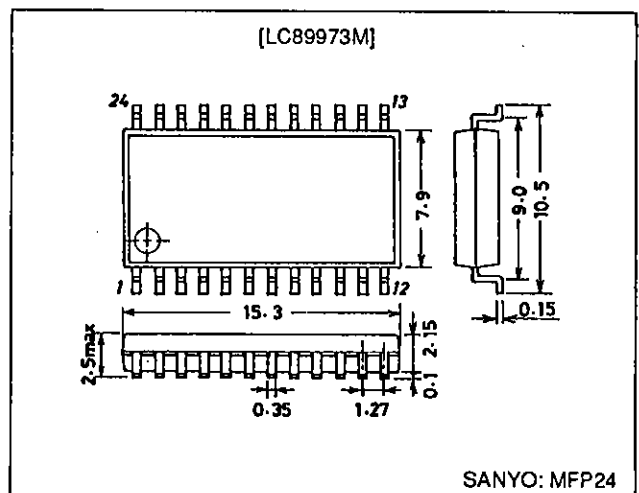
Absolute Maximum Ratings at Ta = 25°C

Parameter	Symbol	Conditions	Ratings	Unit
Maximum supply voltage	V _{DD} max		-0.3 to +6.0	V
Allowable power dissipation	P _d max		600	mW
Operating temperature	T _{opr}		-10 to +70	°C
Storage temperature	T _{stg}		-55 to +150	°C

- Built-in peripheral circuits allow applications to be constructed with a minimum number of external components.
- Positive-phase signal input/positive-phase signal output (luminance signal)

Package Dimensions

unit: mm

3045B-MFP24

LC89973M

Allowable Operating Ranges at Ta = 25°C

Parameter	Symbol	Conditions	min	typ	max	Unit
Supply voltage	V _{DD}		4.75	5.00	5.25	V
Clock input amplitude	V _{CLK}		300	500	1000	mVp-p
Clock frequency	F _{CLK}	Sine wave	—	4.43361875	—	MHz
Clock signal input amplitude	V _{IN-C}		—	350	500	mVp-p
Luminance signal input amplitude	V _{IN-Y}		—	400	572	mVp-p

Electrical Characteristics at V_{DD} = 5.0 V, Ta = 25°C, F_{CLK} = 4.43361875 MHz, V_{CLK} = 500 mVp-p

Parameter	Symbol	Switch states			Conditions	min	typ	max	Unit	
		SW1	SW2	SW3						
Supply current	I _{DD-1}	a	a	b	1	40	50	60	mA	
	I _{DD-2}	b	a	b						
Chrominance System Characteristics (with no Y-IN input)										
Pin voltage (input)	V _{INC-1}	a	a	b	2	2.0	2.4	2.8	V	
	V _{INC-2}	b	a	b						
Pin voltage (output)	V _{OUYC-1}	a	a	b		1.2	1.6	2.0		V
	V _{OUTC-2}	b	a	b						
Voltage gain	G _{VC-1}	a	a	b	3	-2	0	+2	dB	
	G _{VC-2}	b	a	b						
Comb depth	C _{D-1}	a	a	b	4	—	-40	-35	dB	
	C _{D-2}	b	a	b						
Linearity	L _{NC-1}	a	a	b	5	-0.3	0.0	+0.3	dB	
	L _{NC-2}	b	a	b						
Clock leakage (3 fsc)	L _{CK3C-1}	a	a	b	6	—	10	50	mVrms	
	L _{CK3C-2}	b	a	b						
Clock leakage (fsc)	L _{CK1C-1}	a	a	b		—	0.8	1.5		mVrms
	L _{CK1C-2}	b	a	b						
Noise	N _{C-1}	a	a	b	7	—	0.5	2.0	mVrms	
	N _{C-2}	b	a	b						
Output impedance	Z _{OC-1}	a	a	a, b	8	200	350	500	Ω	
	Z _{OC-2}	b	a	a, b						
OH delay time	T _{DC-1}	a	a	b	9	—	245	—	ns	
	T _{DC-2}	b	a	b						

Continued on next page.

Continued from preceding page.

Parameter	Symbol	Switch states			Conditions	min	typ	max	Unit
		SW1	SW2	SW3					
Luminance System Characteristics (with no C-IN1 or C-IN2 input)									
Pin voltage (input)	V _{INY-1}	a	a	b	10	1.7	2.1	2.5	V
	V _{INY-2}	b	a	b					
Pin voltage (output)	V _{OUTY-1}	a	a	b		0.8	1.2	1.6	V
	V _{OUTY-2}	b	a	b					
Voltage gain	G _{VY-1}	a	a	b	11	-2	0	+2	dB
	G _{VY-2}	b	a	b					
Frequency response	G _{FY-1}	a	b	b	12	-2	0	+2	dB
	G _{FY-2}	b	b	b					
Differential gain	D _{GY-1}	a	a	b	13	0	5	7	%
	D _{GY-2}	b	a	b					
Differential phase	D _{PY-1}	a	a	b		0	5	7	deg
	D _{PY-2}	b	a	b					
Linearity	L _{SY-1}	a	a	b	14	37	40	43	%
	L _{SY-2}	b	a	b					
Clock leakage (3 fsc)	L _{CK3Y-1}	a	a	b	15	—	10	50	mVrms
	L _{CK3Y-2}	b	a	b					
Clock leakage (fsc)	L _{CK1Y-1}	a	a	b		—	0.8	1.5	mVrms
	L _{CK1Y-2}	b	a	b					
Noise	N _{V-1}	a	a	b	16	—	0.5	2.0	mVrms
	N _{V-2}	b	a	b					
Output impedance	Z _{OY-1}	a	a	c, b	17	250	400	550	Ω
	Z _{OY-2}	b	a	c, b					
Delay time	T _{DV-1}	a	a	b	18	—	63.84	—	μs
	T _{DV-2}	b	a	b					

Test Conditions

1. Supply current with no signal input.
2. C-OUT voltage (center bias voltage) with no signal input.
3. Measure the C-OUT output with 350 mVp-p sine wave signals input to C-IN1 and C-IN2.

$$GVC = 20 \log \frac{\text{C-OUT output [mVp-p]}}{350 \text{ [mVp-p]}} \text{ [dB]}$$

Test frequencies

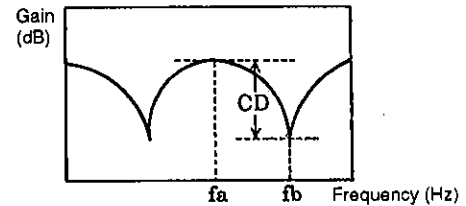
- GVC-1 4.429662 MHz (PAL/GBI)
- GVC-2 4.425749 MHz (4.43 NTSC)

4. Measure the comb depth from the C-OUT output with a 350 mVp-p sine wave signal of frequency f_a input to C-IN1 and C-IN2 and with a frequency of f_b input.

$$CD = 20 \log \frac{\text{C-OUT output with } f_b \text{ input [mVp-p]}}{\text{C-OUT output with } f_a \text{ input [mVp-p]}} \text{ [dB]}$$

Test frequencies

	f_a	f_b
CD-1	4.429662 MHz	4.425756 MHz (PAL/GBI)
CD-2	4.425749 MHz	4.417930 MHz (4.43 NTSC)



5. Measure the C-OUT output with a 200 mVp-p sine wave signal input to C-IN1 and C-IN2 and with 500 mVp-p sine wave signal input and calculate the difference in the gains.

$$LNC = 20 \log \left(\frac{\text{Output for a 500 mVp-p input [mVp-p]}}{500 \text{ [mVp-p]}} / \frac{\text{Output for a 200 mVp-p input [mVp-p]}}{200 \text{ [mVp-p]}} \right) \text{ [dB]}$$

Test frequencies

LNC-1	4.429662 MHz (PAL/GBI)
LNC-2	4.425749 MHz (4.43 NTSC)

6. Measure the 3 fsc (13.3 MHz) and fsc (4.43 MHz) components in the C-OUT output with no input.
7. Measure the noise in the C-OUT output with no input.
Measure the noise with a noise meter set up with a 200 kHz high-pass filter and a 5 MHz low-pass filter.
8. Let V1 be the C-OUT output with a 350 mVp-p sine wave input to C-IN1 and C-IN2 and SW3 set to a, and let V2 be the C-OUT output with SW3 set to b.

$$ZOC = \frac{V2 \text{ [mVp-p]} - V1 \text{ [mVp-p]}}{V1 \text{ [mVp-p]}} \times 500 \text{ } [\Omega]$$

Test frequencies

ZOC-1	4.429662 MHz (PAL/GBI)
ZOC-2	4.425749 MHz (4.43 NTSC)

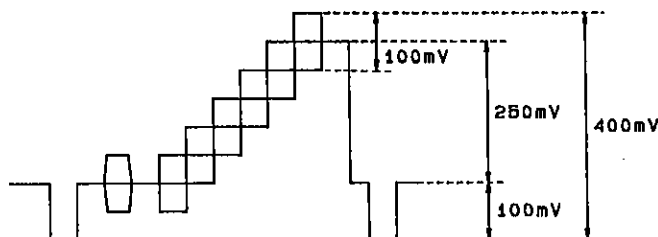
9. The C-OUT output delay time with respect to inputs to C-IN1. (the CCD 2.5 bit delay)
10. Y-OUT voltage (clamp voltage) with no signal input.
11. Measure the Y-OUT output with a 200 kHz 400 mVp-p sine wave input to Y-IN.
12. Measure the Y-OUT output with a 200 kHz 200 mVp-p sine wave input to Y-IN and with a 3.3 MHz 200 mVp-p sine wave input.

$$GVY = 20 \log \frac{\text{Y-OUT output [mVp-p]}}{400 \text{ [mVp-p]}} \text{ [dB]}$$

$$GFY = 20 \log \frac{\text{Y-OUT output with a 3.3 MHz input [mVp-p]}}{\text{Y-OUT output with a 200 kHz input [mVp-p]}} \text{ [dB]}$$

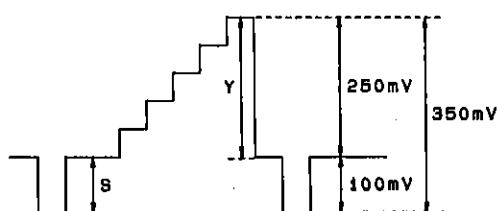
Note that V_{bias} should be adjusted so that the circuit is biased to the clamp level plus 250 mV.

13. Input a five-level step waveform (see the figure below) to Y-IN and measure the differential gain and differential phase in the Y-OOUT output with a vector scope.



A098B3

14. Input a five-level step waveform (see the figure below) to Y-IN and measure the luminance level (Y) and the sync level (S) in the Y-OOUT output.



A098B4

$$LS = \frac{S \text{ [mV]}}{Y \text{ [mV]}} \times 100 \text{ [%]}$$

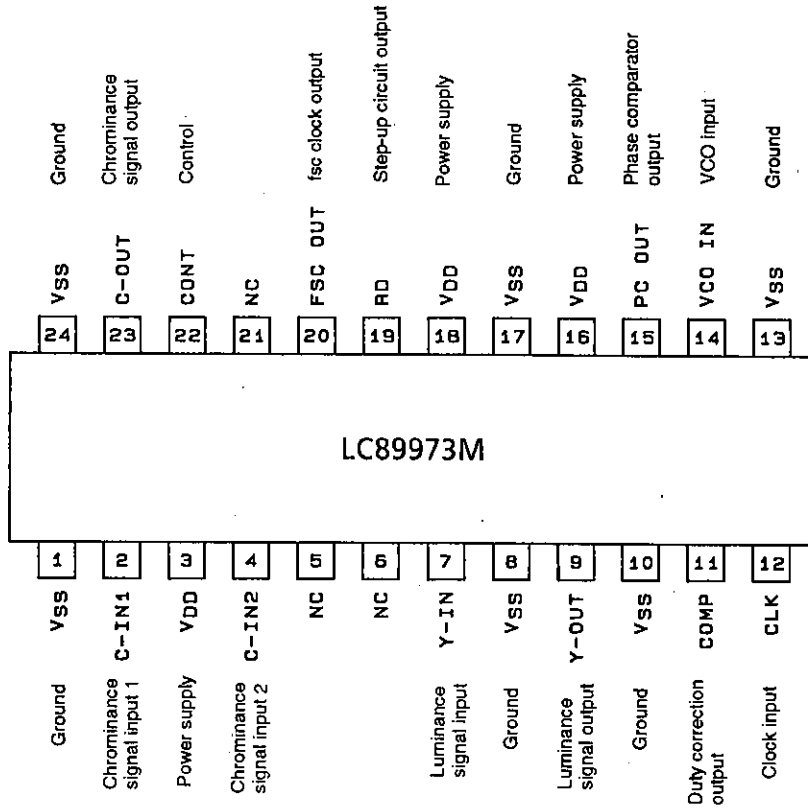
15. Measure the 3 fsc (13.3 MHz) and fsc (4.43 MHz) components in the Y-OOUT output with no input.
16. Measure the noise in the Y-OOUT output with no input.
Measure the noise with a noise meter set up with a 200 kHz high-pass filter, a 5 MHz low-pass filter, and a 4.43 MHz trap filter.
17. Let V1 be the Y-OOUT output with a 200 kHz 400 mVp-p sine wave input and SW3 set to c, and let V2 be the C-OOUT output with SW3 set to b.

$$ZOY = \frac{V2 \text{ [mVp-p]} - V1 \text{ [mVp-p]}}{V1 \text{ [mVp-p]}} \times 500 \text{ [\Omega]}$$

18. The Y-OOUT delay time with respect to Y-IN

LC89973M

Pin Assignment

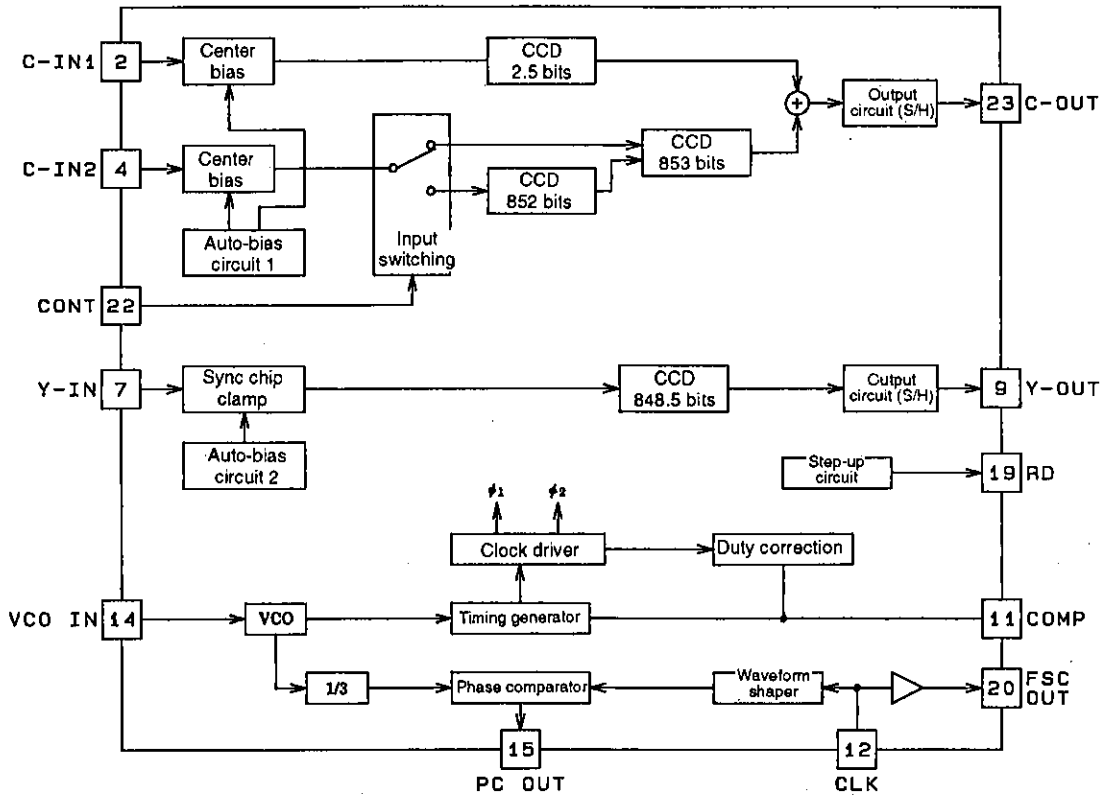


LC89973M

Top view

A03850

Block Diagram



Control Pin Function

CONT	Mode (representative example)	Chrominance signal delay (CCD bits)	Luminance signal delay (CCD bits)
Low	PAL/GBI	2 H (1705) + 0 H (2.5)	1 H (848.5)
High	4.43 NTSC	1 H (853) + 0 H (2.5)	1 H (848.5)

Switching Voltage Levels

Low/high	Symbol	min	typ	max	Unit
Low	V _L	-0.3	0.0	+0.5	V
High	V _H	2.0	5.0	6.0	V

Note: Since the control pin has a built-in pull-down resistor, the pin will be set to the low state if left open.

FSC OUT Pin Function

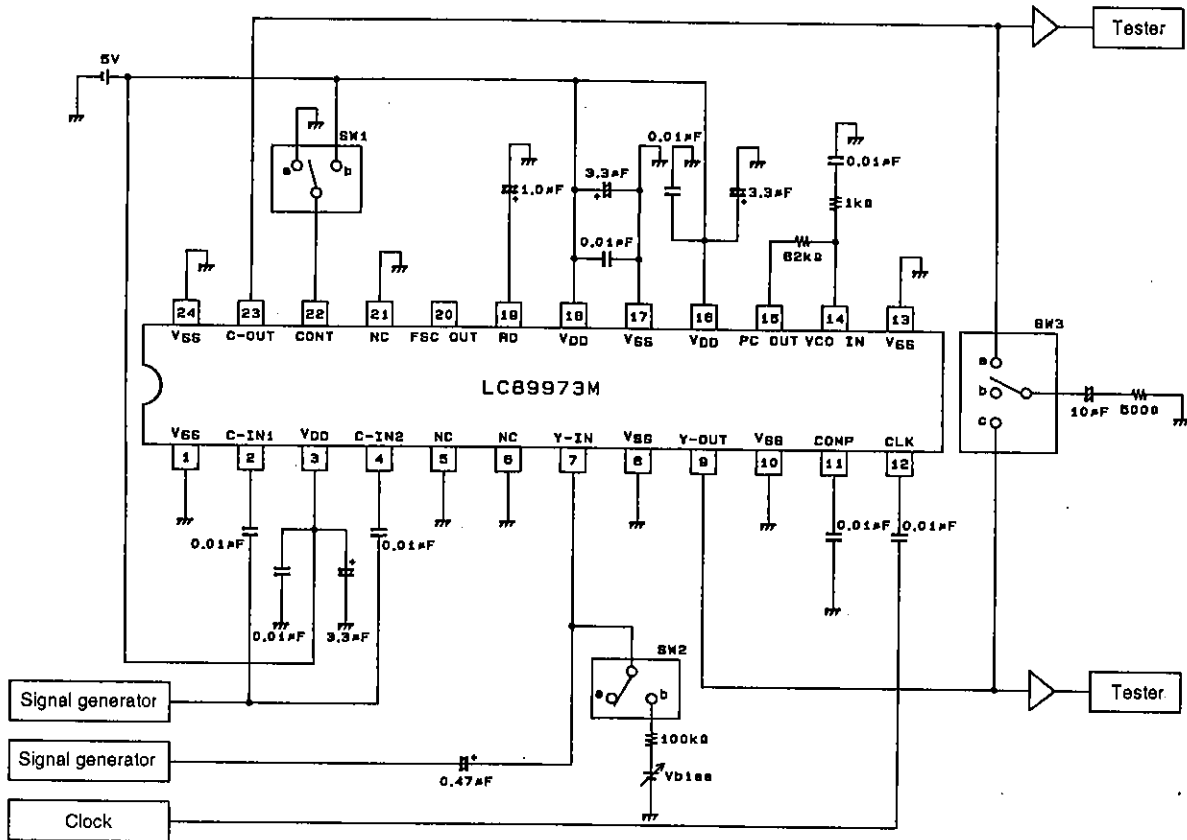
This pin provides a buffer output for the clock signal input to the CLK pin.



A03852

Note: Since this pin has a built-in pull-up resistor, the pin voltage will go to the supply voltage and output will cease if left open.

Test Circuit



403608

■ No products described or contained herein are intended for use in surgical implants, life-support systems, aerospace equipment, nuclear power control systems, vehicles, disaster/crime-prevention equipment and the like, the failure of which may directly or indirectly cause injury, death or property loss.

■ Anyone purchasing any products described or contained herein for an above-mentioned use shall:

- ① Accept full responsibility and indemnify and defend SANYO ELECTRIC CO., LTD., its affiliates, subsidiaries and distributors and all their officers and employees, jointly and severally, against any and all claims and litigation and all damages, cost and expenses associated with such use:
- ② Not impose any responsibility for any fault or negligence which may be cited in any such claim or litigation on SANYO ELECTRIC CO., LTD., its affiliates, subsidiaries and distributors or any of their officers and employees jointly or severally.

■ Information (including circuit diagrams and circuit parameters) herein is for example only; it is not guaranteed for volume production. SANYO believes information herein is accurate and reliable, but no guarantees are made or implied regarding its use or any infringements of intellectual property rights or other rights of third parties.

This catalog provides information as of June, 1995. Specifications and information herein are subject to change without notice.