

Nota :

Este manual de service también puede utilizarse con las siguientes marcas y modelos salvando la cosmética :

Noblex 32LC829FT y 32LC831HT
Philco PLF3211T y PLH3211T
JVC LT32DR51

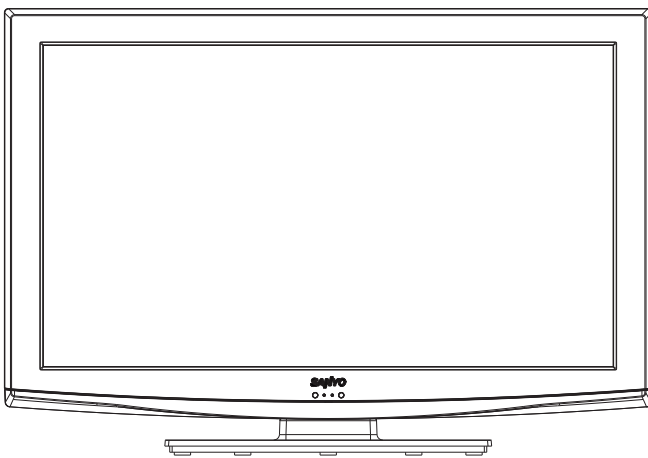


SERVICE MANUAL LCD Television

FILE NO.

Model No. LCD-32XH8T
LCD-32XF8T

Service Ref.No. LCD-32XH8T-00
LCD-32XF8T-00
LCD-32XH8T-01
LCD-32XF8T-01



Contents

Safety Notice.....	2
Specifications.....	3
Chassis Block Diagrams.....	4-5
IC Block Diagrams	6-8
On-screen Service Menu System.....	9-10
Service Adjustments.....	11-13
Mechanical Disassembly.....	14-17
Cabinet Parts List.....	18
Chassis Electrical Parts List.....	19-35
Printed Wiring Board.....	36-42
Schematic Diagram.....	43-48

Product Code:

LCD-32XH8T: 1-130-255-16

LCD-32XF8T: 1-130-255-17

Original Version

Chassis Series: UE8-L

Give complete "SERVICE REF. NO." for parts order or servicing. It is shown on the rating lable at the cabinet back of the unit.

This T.V. receiver will not work properly in foreign countries where the television transmission system and power source differ from the design specifications. Refer to the specification table.

Safety Notice

Safety Precautions

The following precautions must be observed.

1: Comply with all caution and safety-related notes provided on the cabinet back, cabinet bottom, inside the cabinet or on the chassis.

2: When replacing a chassis in the cabinet, always be certain that all the protective devices are installed properly, such as, control knobs, adjustment covers or shields, barriers, etc..

DO NOT OPERATE THIS TELEVISION WITHOUT THE PROTECTIVE SHIELD IN POSITION AND PROPERLY SECURED

3: Before replacing the cabinet cover, thoroughly inspect the inside of the cabinet to see that no stray parts or tools have been left inside.

Before returning any television to the customer, the service personnel must be sure that it is completely safe to operate without danger of electrical shock.

Product Safety Notice

Product safety should be considered when a component replacement is made in any area of a receiver. Components indicated by mark \triangle in the parts list and the schematic diagram designate components in which safety can be of special significance.

It is particularly recommended that only parts designated on the parts list in this manual be used for component replacement designated by mark \triangle .

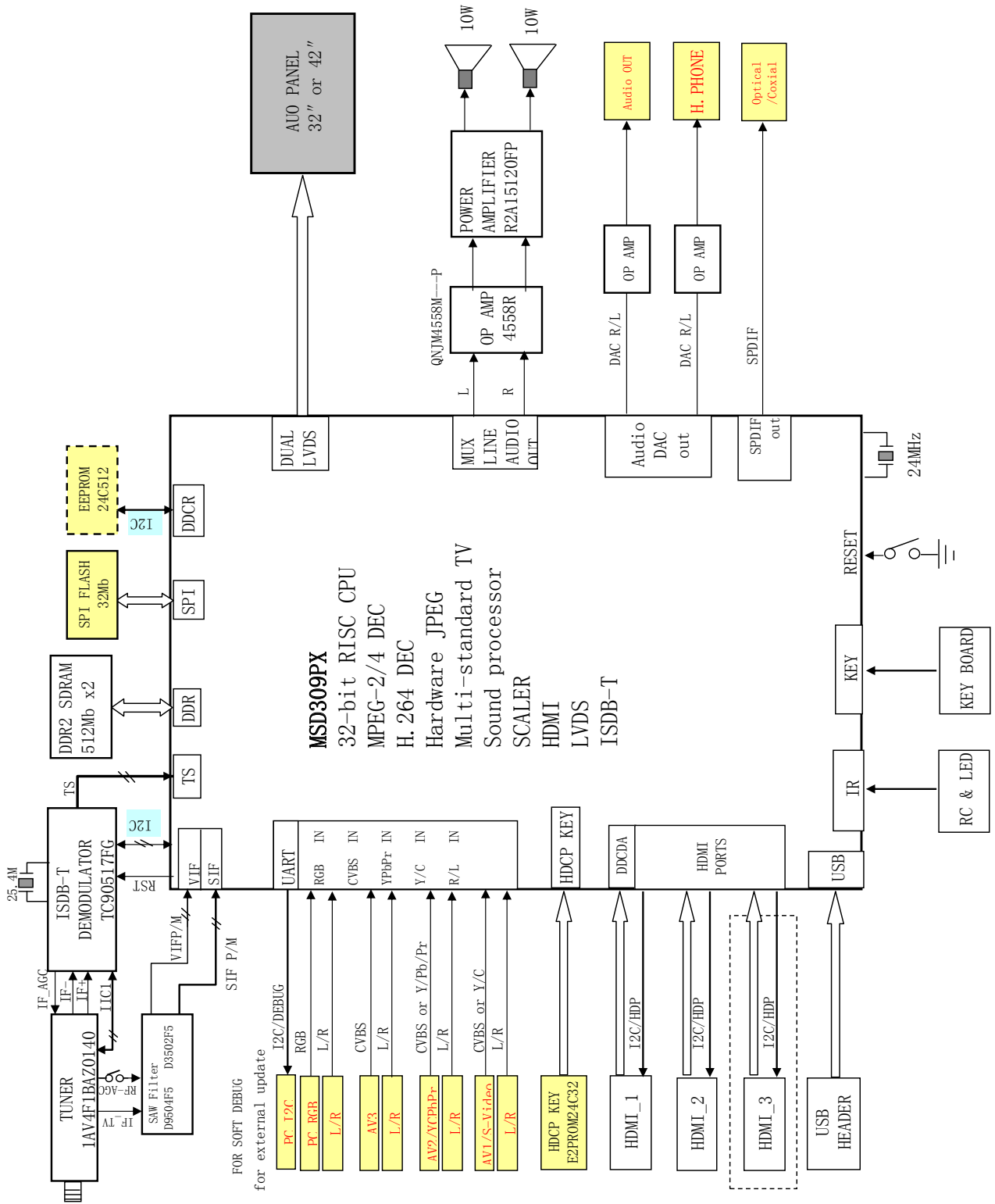
No deviations from resistance wattage or voltage ratings may be made for replacement items designated by mark \triangle .

Specifications

Model	LCD-32XH8T/LCD-32XF8T
Maximum Visible Range	80cm (Screen Diagonal Size)
Picture Resolution	LCD-32XH8T: 1366(H)x768(V) ; LCD-32XF8T: 1920(H) x 1080(V)
Viewable Angle (L°/3)	L/R: +/-89D, U/D: +/-89D H
Brightness	450 cd/m ²
Degree of Colour Coverage	≥30%
Mobile Trailer Time	6.5 ms
Voltage	AC100-240 V, 50/60Hz
Power Consumption	125W
Digital TV System	SBTVD Video decoder: Up to H.264 Audio decoder: MPEG4, Dolby Pulse, Dolby Digital, Dolby Digital Plus
Analogue TV System	PAL-N, PAL-M, NTSC M
Aerial input impedance	75Ω
Speaker Size	Mains: 6cm x 12cm x 2pcs
Sound speciality	Maximum Output Power is 10W+10W Total Harmonic Distortion (THD)≤10%
Input terminals	PC input terminal : RGB X 1 HDMI terminal: x 3 Audio: Mini stereo jack x 1 (Audio input of PC) Video: Composite video terminals x 2 (1Vp-p, 75Ω) S-VIDEO input: x 1 (DIN 4-pin, Y/C separate signal input) DVD input: Component video input Y, CB/PB, CR/PR input x 1 Audio input: (R/L) x 6 (400mVrms) USB terminal: X 1
Output terminals	Audio Monitor Output: R/L x 2 (400mVrms, ≤1KΩ) S/P DIF (Coaxial) Output x 1 Headphone Jack : Mini stereo jack x1
Dimensions (Width x Height x Depth)	LCD-32XH8T: 795mm X 545mm X 236mm (Including Stand) LCD-32XF8T: 795mm X 545mm X 236mm (Including Stand)
Net Weight (Including Stand)	11.5 KG
Operating Environment	
Operating Temperature	0°C~40°C (32°F~104°F)
Operating Humidity	20~80%
Storage Temperature	-10°C~50°C (14°F~122°F)
Storage Humidity	20~80%

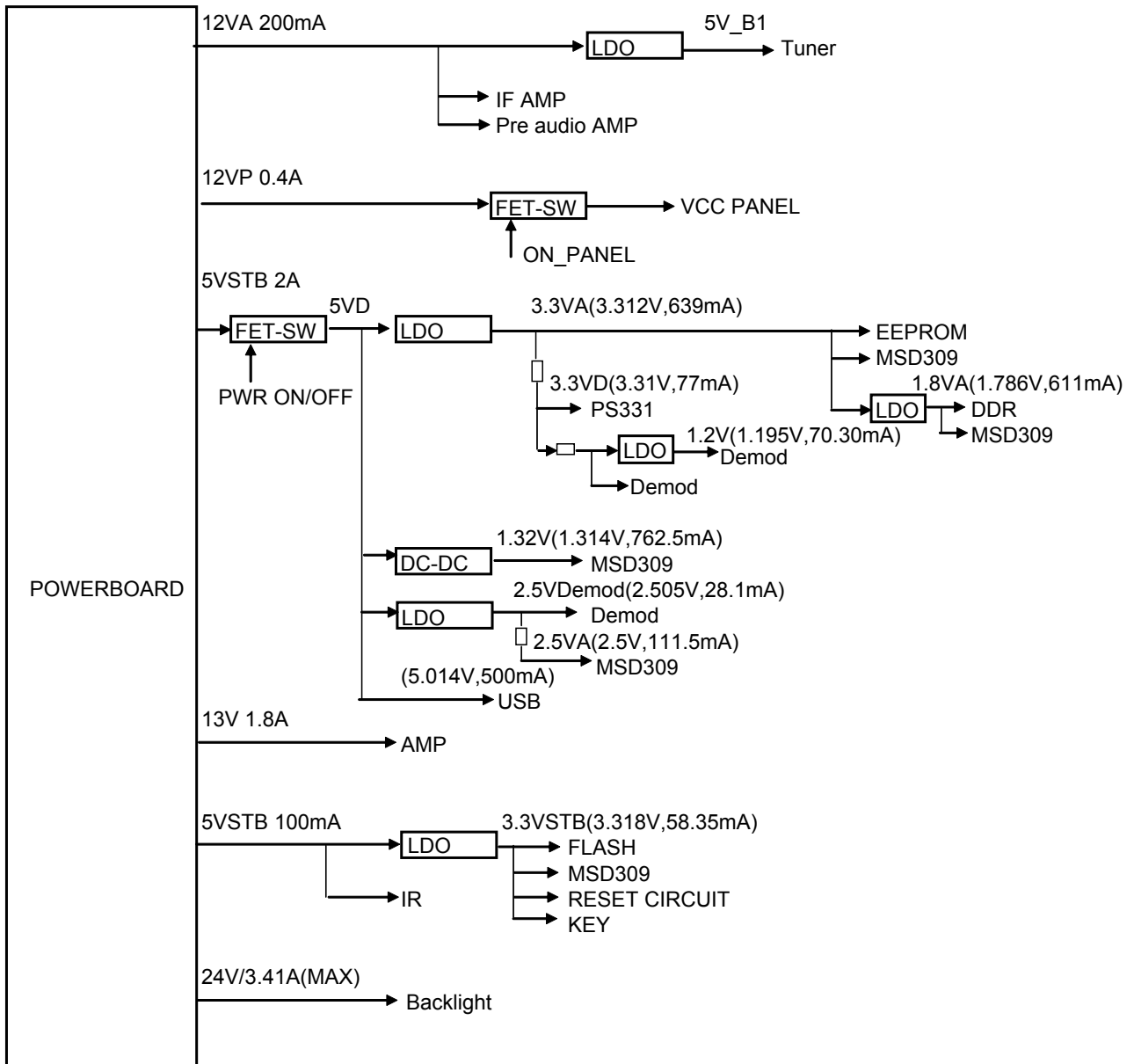
Chassis Block Diagrams

MAIN SIGNAL PROCESSING CIRCUIT



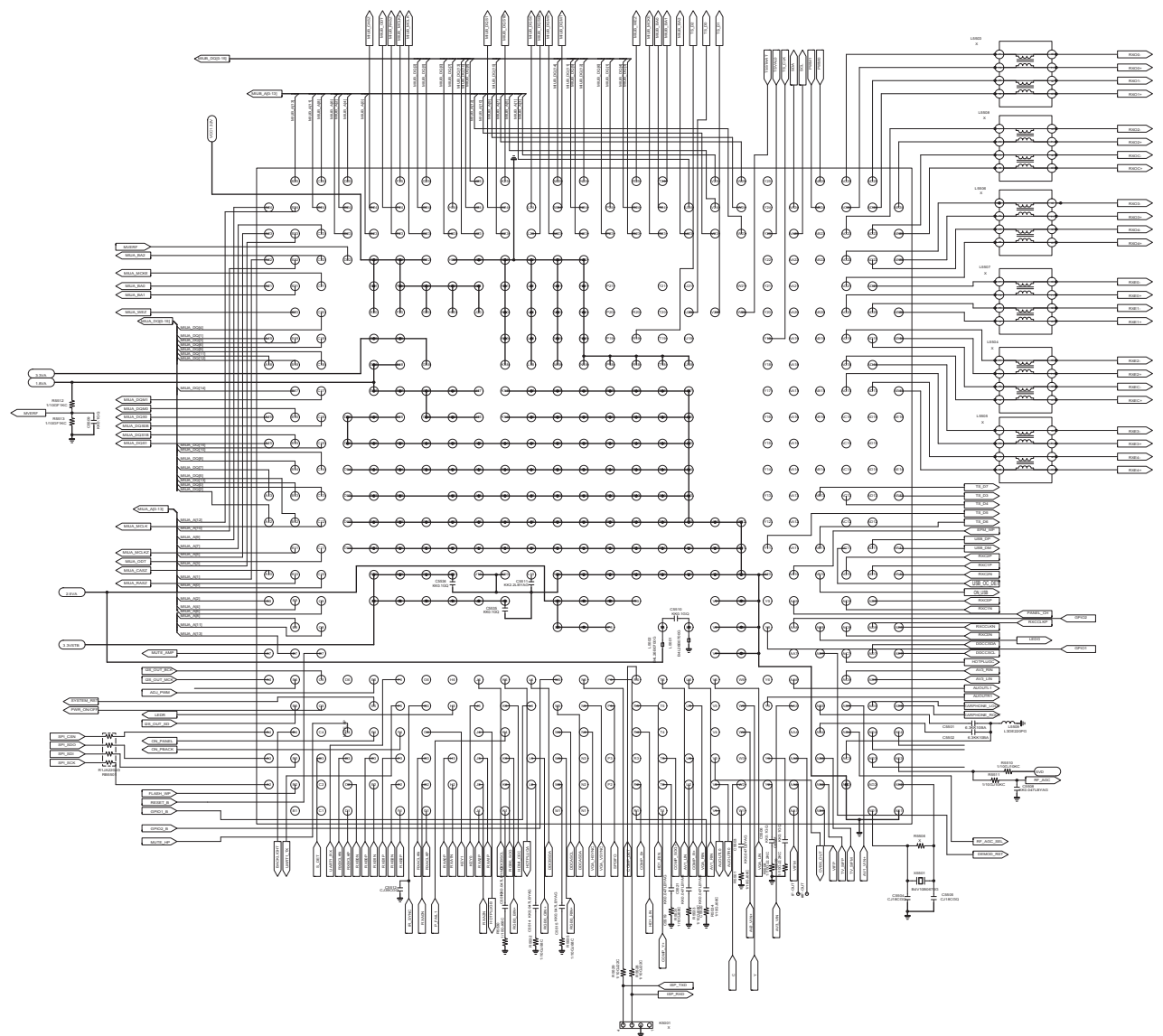
Chassis Block Diagrams

POWER SUPPLY IC

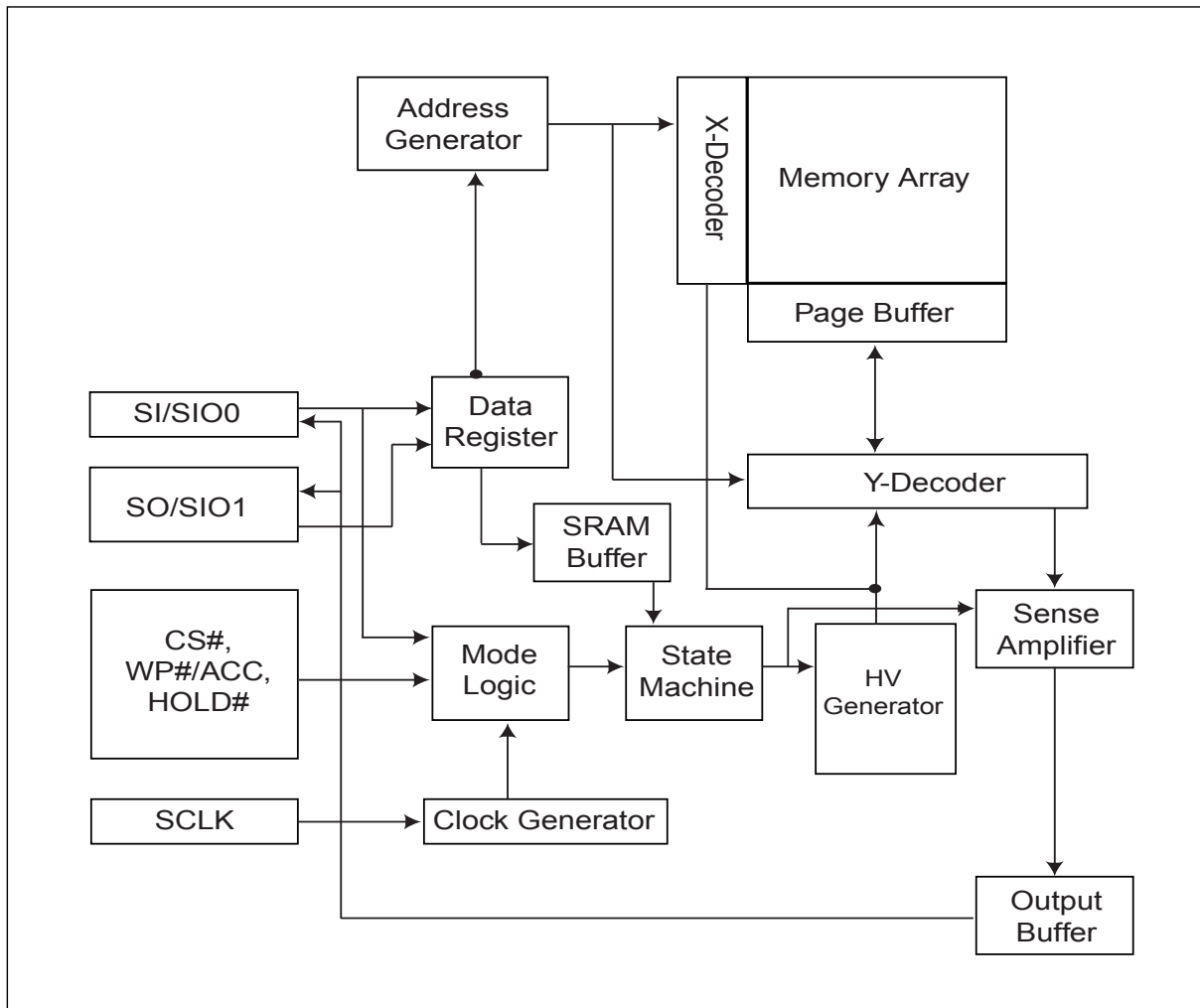


IC Block Diagrams

IC5501 MSD309PX-LFM

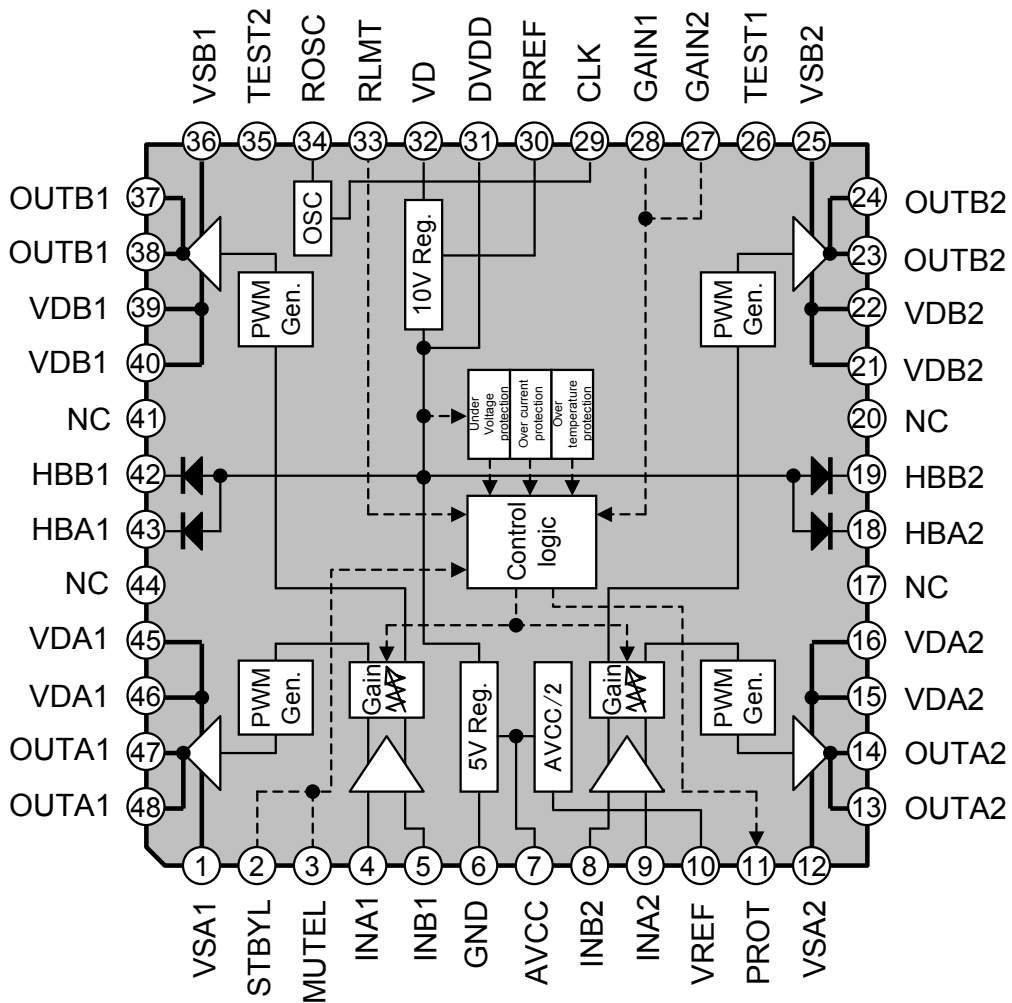


IC5700 MX25L3206EM2I

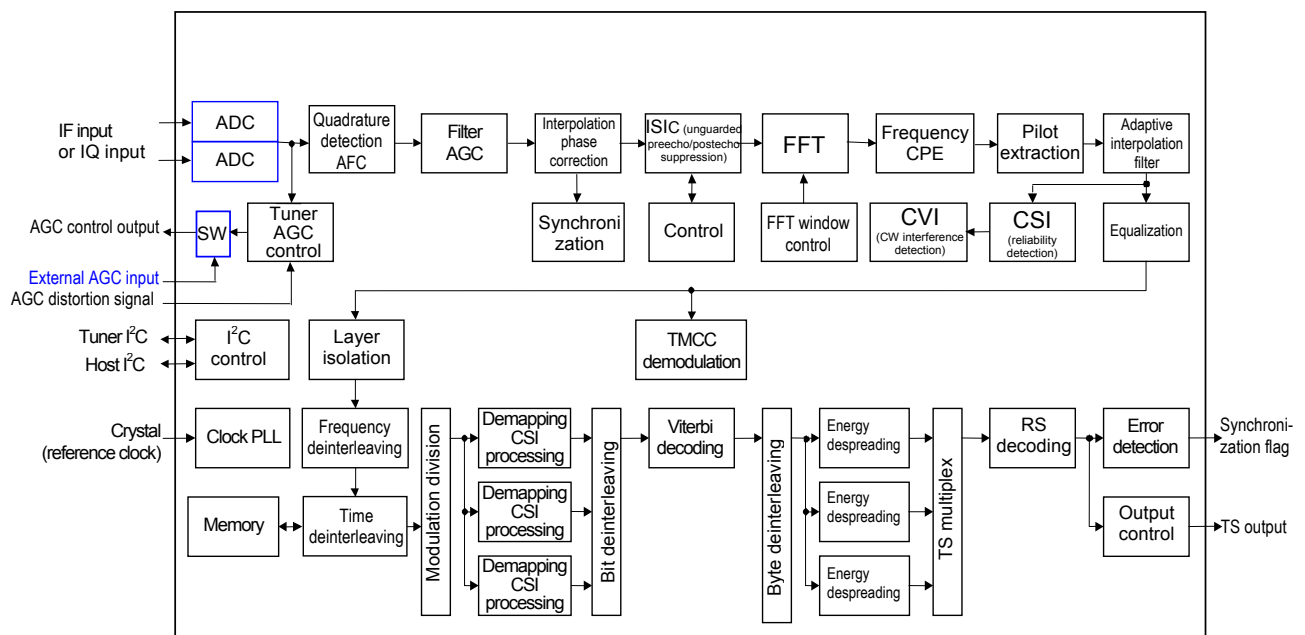


IC Block Diagrams

IC001 R2A15120FAP



IC5801 TC90517FGP



On-screen Service Menu System

General

This set has an On-screen Menu system included in the CPU that allows remote operation for most of the service adjustments.

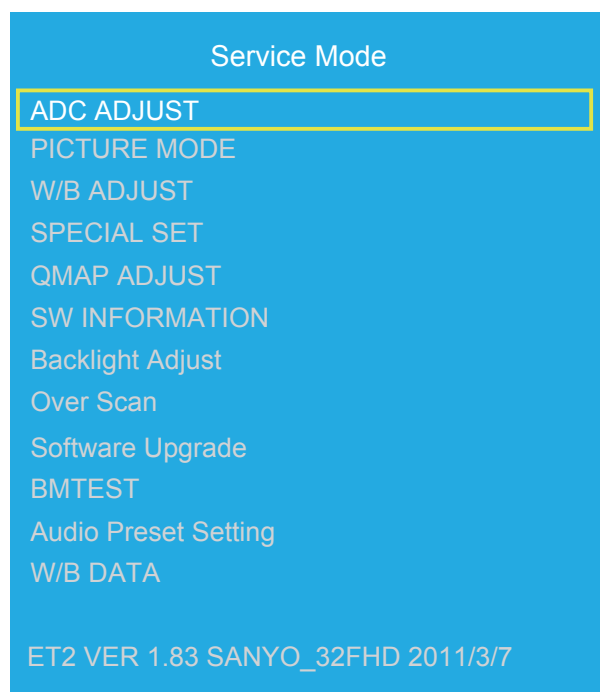
On-screen Service Menu System

Quick operation is needed to enter Service Mode.

❑ How to enter the Service Menu

1. Press the **INPUT** button on Side Controls or on the remote control.
2. Press the numeric buttons "2", "5", "8", "0" orderly on the remote control, and the Service Mode will be displayed.

[Service Mode Menu]



❑ How to select the service item and adjust data:

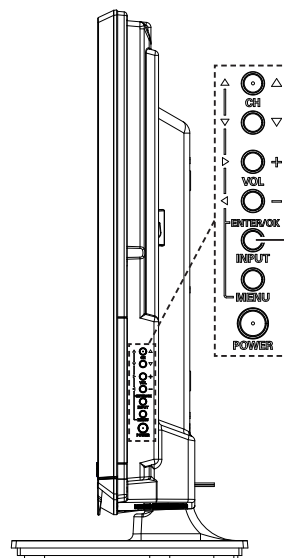
With the menu, press ▲, ▼, ◀ or ▶ button to navigate through the options or adjust an option. Press **ENTER** button to confirm a selection or enter a sub-menu.

Press **BACK** button to return to previous layer menu.

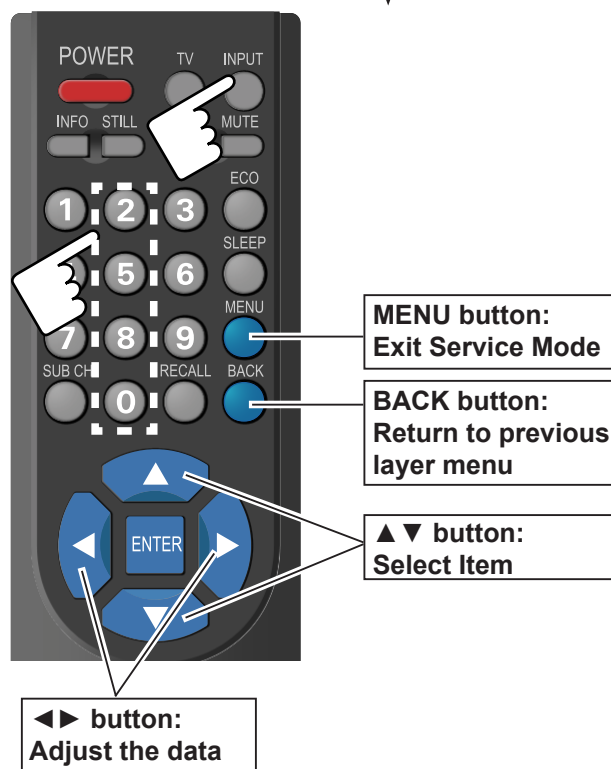
❑ To exit service mode

Press **MENU** button to exit service mode.

Side Controls



Remote Control



On-screen Service Menu System

■ Service Adjustment Data Table

ADC ADJUST	MODE	RGB
	R-GAIN	4096
	G-GAIN	4096
	B-GAIN	4096
	RED OFFSET	0
	GREEN OFFSET	0
	BLUE OFFSET	0
	AUTO ADC	<FAIL/SUCCESS>

MODE	YPbPr(SD)
R-GAIN	4626
G-GAIN	4522
B-GAIN	4626
RED OFFSET	2048
GREEN OFFSET	256
BLUE OFFSET	2048
AUTO ADC	<FAIL/SUCCESS>

MODE	YPbPr(HD)
R-GAIN	4626
G-GAIN	4522
B-GAIN	4626
RED OFFSET	2048
GREEN OFFSET	256
BLUE OFFSET	2048
AUTO ADC	<FAIL/SUCCESS>

W/B ADJUST		
	RED	78
	GREEN	78
	BLUE	78

CAUTION !

Do not attempt to adjust service adjustments not listed below otherwise it may cause loss of performance and for correct operation.

□ Setting the Initial data

This adjustment is controlled by the CPU (IC5501) through the IIC Bus Data Line in the chassis, and those adjustment data are memorized the memory IC (IC5601, IC5602). Therefore, Main board or the memory IC (IC5601, IC5602) is replaced, these data will be disappeared. Readjust should be made. Initial data is provided in the CPU ROM, when the memory IC (IC5601, IC5602) is replaced with new one. CPU ROM data is loaded into the memory. Initial data is provided to operating the monitor basically. For operating the monitor quality performance, further adjustment is required following chassis electrical adjustment.

1. Enter the Service Mode, and select NVM Initial.

- ① Enter the **Service Mode**.
- ② Select "**SPECIAL SET**" by pressing ▲ or ▼ button, then press ENTER button to enter **SPECIAL SET** menu.
- ③ With the menu, press ▲ ▼ buttons to select **NVM Initial**, then press ENTER button, after NVM initial operation is finished, please exit the menu. Disconnect the AC power supply and reconnect it, then all the data will return to factory default settings.

(Note: After executed reset function, **ADC ADJUST** and **W/B ADJUST** should be readjusted. Please enter **Service Mode** to adjust data.)

2. Enter the Service Mode, and select ADC ADJUST / W/B ADJUST to adjust the data according "Service Adjustment Data Table" on page 10.

- How to enter the Service Mode. Please refer to page 9.

Service Adjustments

□ ADC ADJUST

1. Enter the **Service Mode**.
2. Select "**ADC ADJUST**" by pressing ▲ or ▼ button, then press ENTER button to enter **ADC ADJUST** menu.

ADC ADJUST	
MODE	RGB
R-GAIN	4096
G-GAIN	4096
B-GAIN	4096
RED OFFSET	0
GREEN OFFSET	0
BLUE OFFSET	0
AUTO ADC	FAIL

3. Press ▲ or ▼ button to select "**MODE**" item, press ◀ or ▶ button to select **RGB**, **YPbPr(SD)** or **YPbPr(HD)**.

RGB

- (1). For **VGA** source, the signal should be 1024x768@60Hz and the pattern should be ANSI Pattern (C).
- (2). Enter the **ADC ADJUST** menu. Press ▲ or ▼ button to select "**MODE**" item.
- (3). Press ◀ or ▶ button to select **RGB**.
- (4). Press ▲ or ▼ button to select AUTO ADC item, then press ENTER button.

YPbPr (SD)

- (1). For **YPbPr(SD)** source, the signal should be 480i and the pattern is 100%, 8 STEP COLOR BAR.
- (2). Enter the **ADC ADJUST** menu. Press ▲ or ▼ button to select "**MODE**" item.
- (3). Press ◀ or ▶ button to select **YPbPr (SD)**.
- (4). Press ▲ or ▼ button to select AUTO ADC item, then press ENTER button.

YPbPr (HD)

- (1). For **YPbPr(HD)** source, the signal should be 1920X1080i@60Hz and the pattern is 100%, 8 STEP COLOR BAR.
- (2). Enter the **ADC ADJUST** menu. Press ▲ or ▼ button to select "**MODE**" item.
- (3). Press ◀ or ▶ button to select **YPbPr (HD)**.
- (4). Press ▲ or ▼ button to select AUTO ADC item, then press ENTER button.

4. Exit the **Service Mode**.

Wait for about several seconds until AUTO ADC adjust completed. Then press MENU button to exit.

Note: If you want to adjust any item, please consult qualified service personnel.

□ W/B ADJUST

Pattern

PAL-N White 80%.

Condition

Picture Mode: STANDARD

Color Temperature: NORMAL

Aging Time: More than 10 minutes

Adjustment

1. Enter the **Service Mode**.
2. Select "**W/B ADJUST**" by pressing ▲ or ▼ button, then press ENTER button to enter **W/B ADJUST** menu.

W/B ADJUST	
RED	78
GREEN	78
BLUE	78

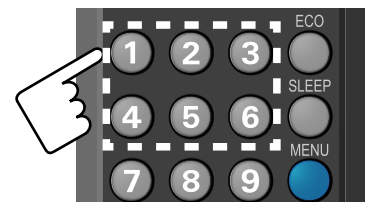
3. Press ▲ or ▼ button to select **RED**, **GREEN** or **BLUE**, then press ◀ or ▶ button to adjust data.

Or you can adjust values by simply pressing numeric buttons on the remote control.

To adjust **RED**: Press **1** (data value up) and **4** (data value down).

To adjust **GREEN**: Press **2** (data value up) and **5** (data value down).

To adjust **BLUE**: Press **3** (data value up) and **6** (data value down).



4. Exit the **Service Mode**.

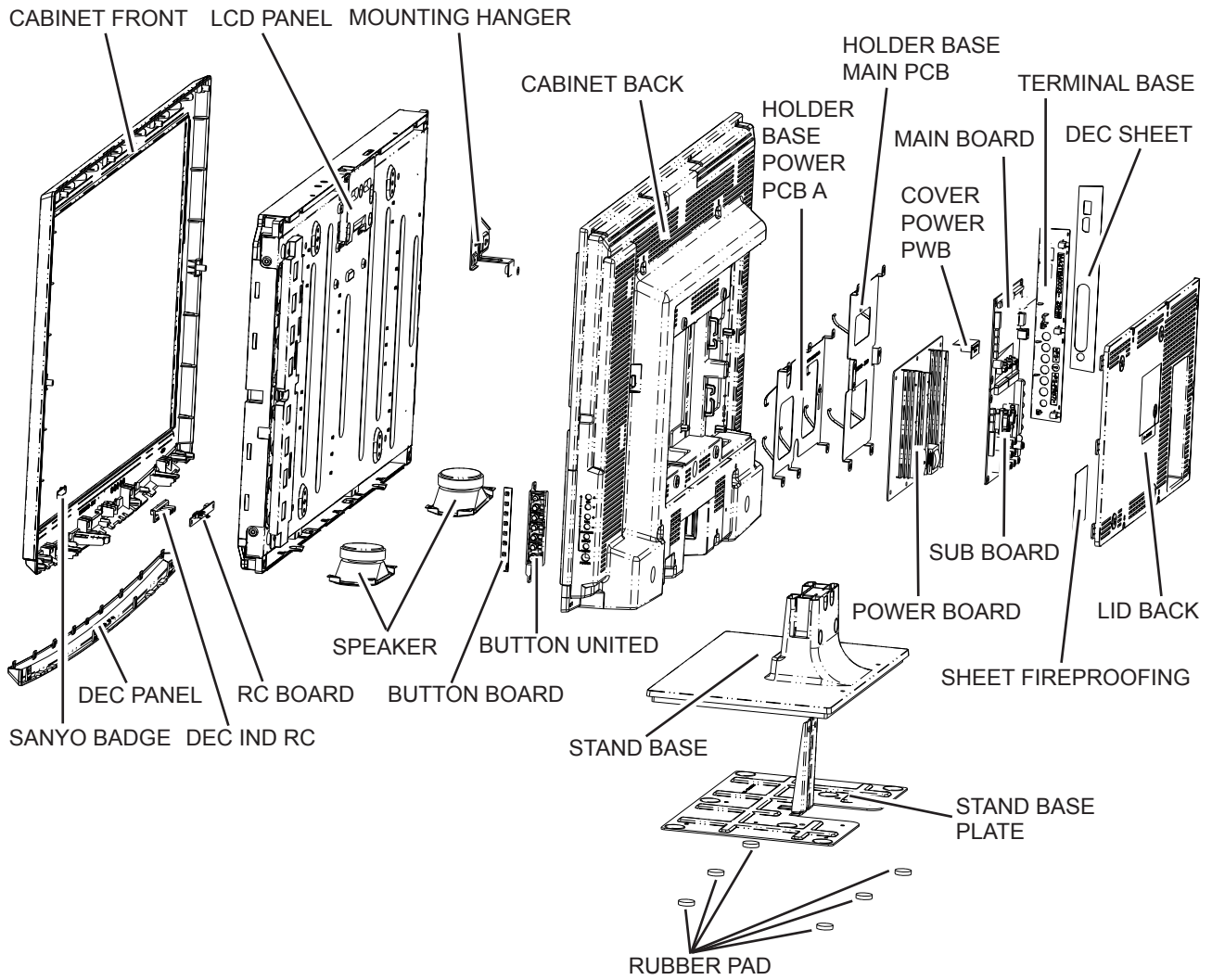
After adjustment, confirm white balance again by normal picture.

Note: • Maybe BASE data for each TV set is different. And the items are for factory setting and Service Centre.

- If you want to adjust any item, please consult qualified service personnel.

Mechanical Disassembly

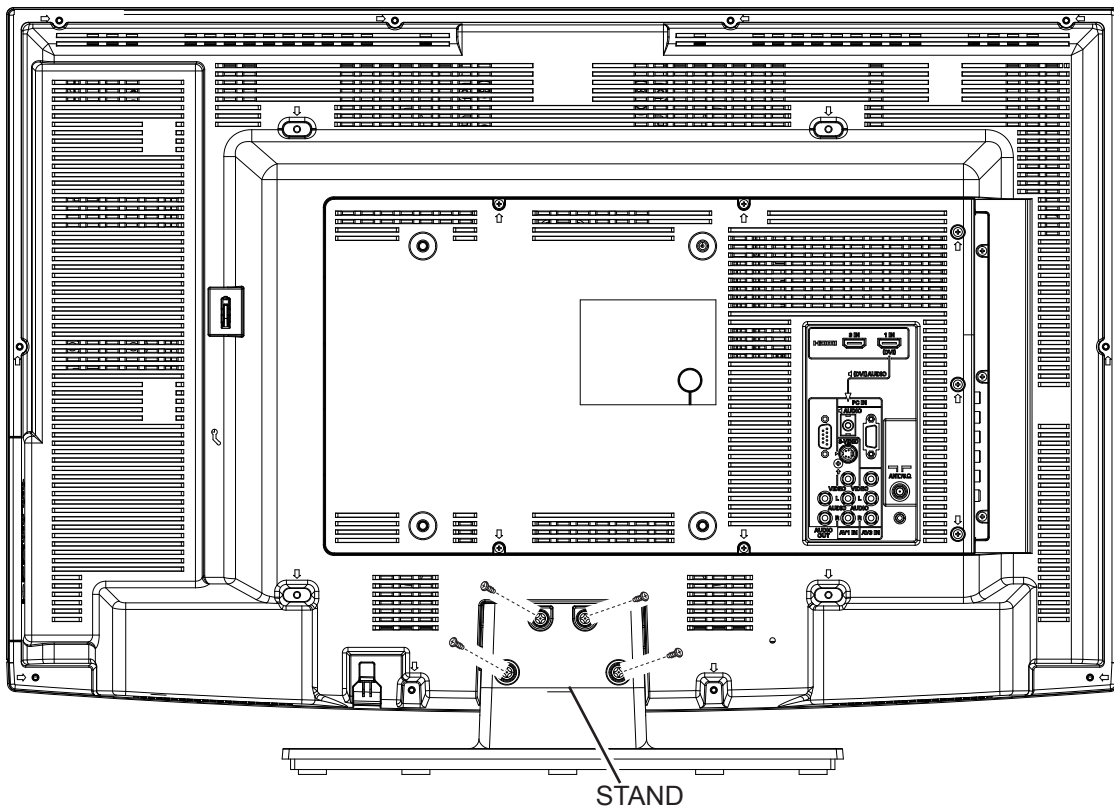
[Disassembly Diagram]



Mechanical Disassembly

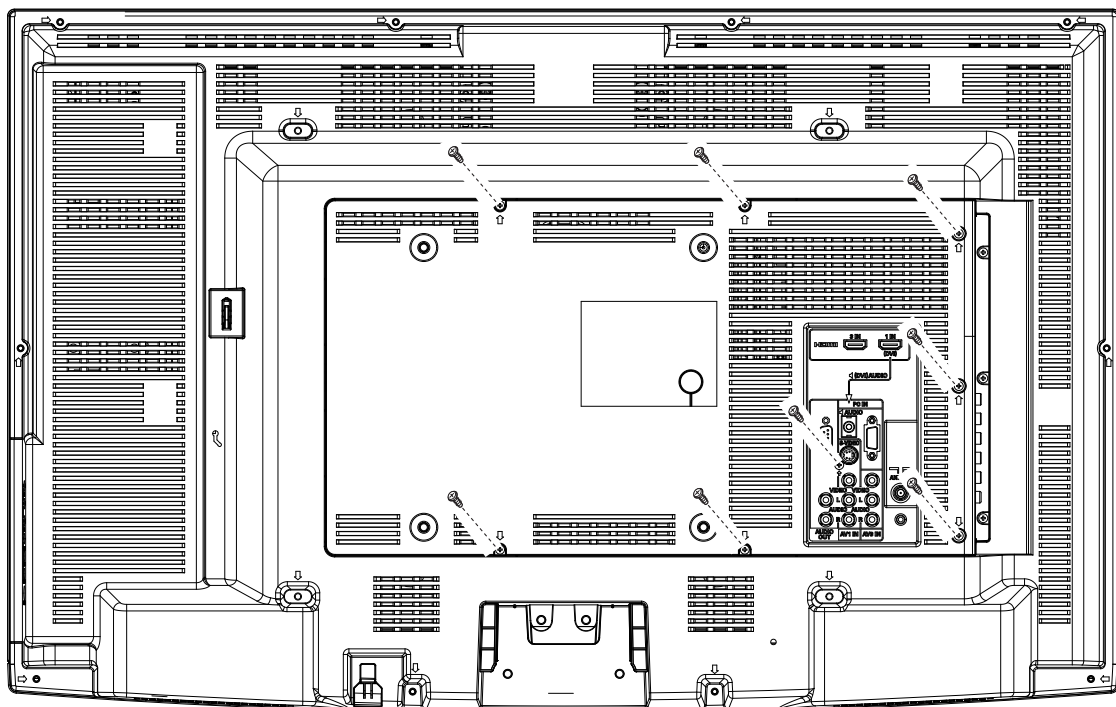
1. STAND Removal

1. Remove 4 screws and remove the STAND.



2. LID BACK Removal

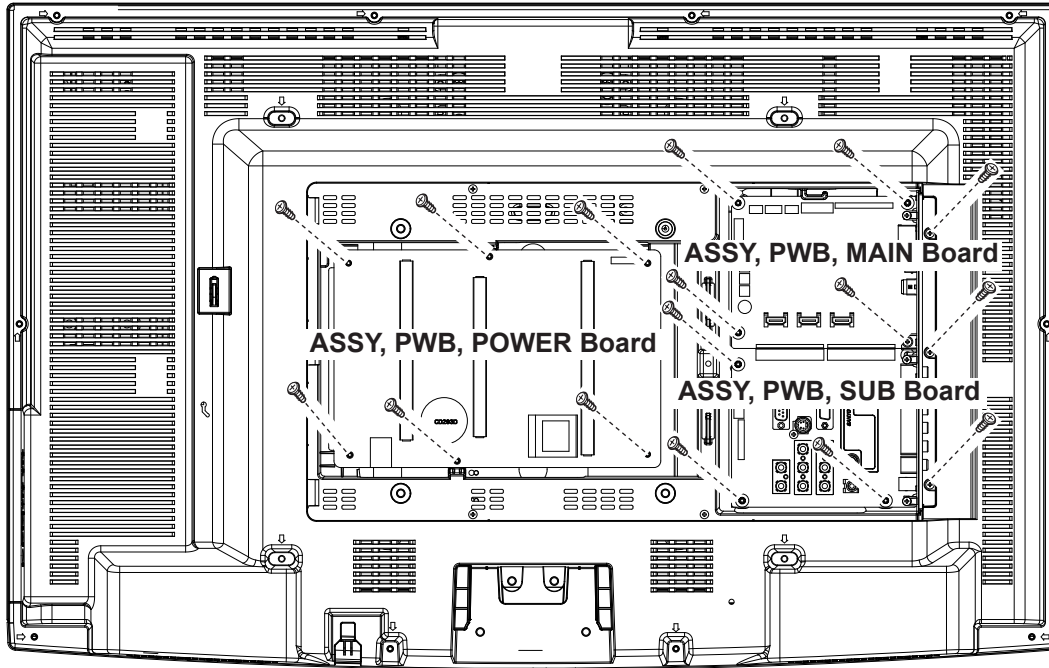
1. Remove 8 screws and take the LID BACK off.



Mechanical Disassembly

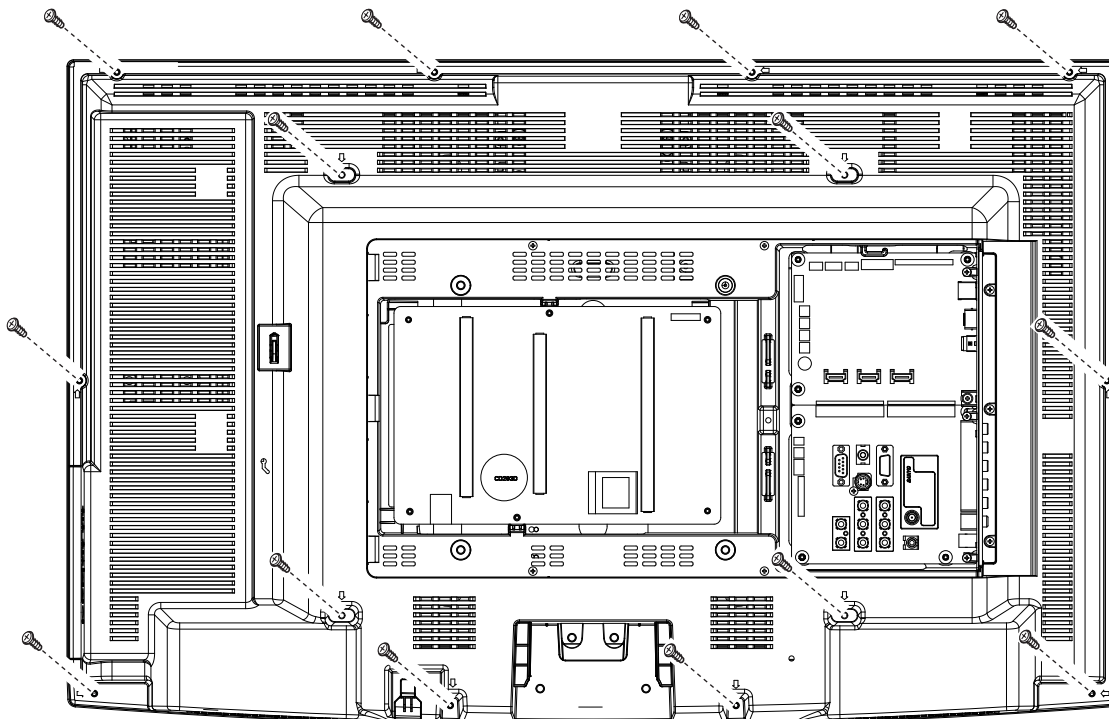
3. ASSY, PWB, POWER Board, ASSY, PWB, MAIN Board and ASSY, PWB, SUB Board Removal

1. Remove 6 screws and take **ASSY, PWB, POWER Board** off.
2. Remove 10 screws and take **ASSY, PWB, MAIN Board** and **ASSY, PWB, SUB Board** off.



4. CABINET BACK Removal

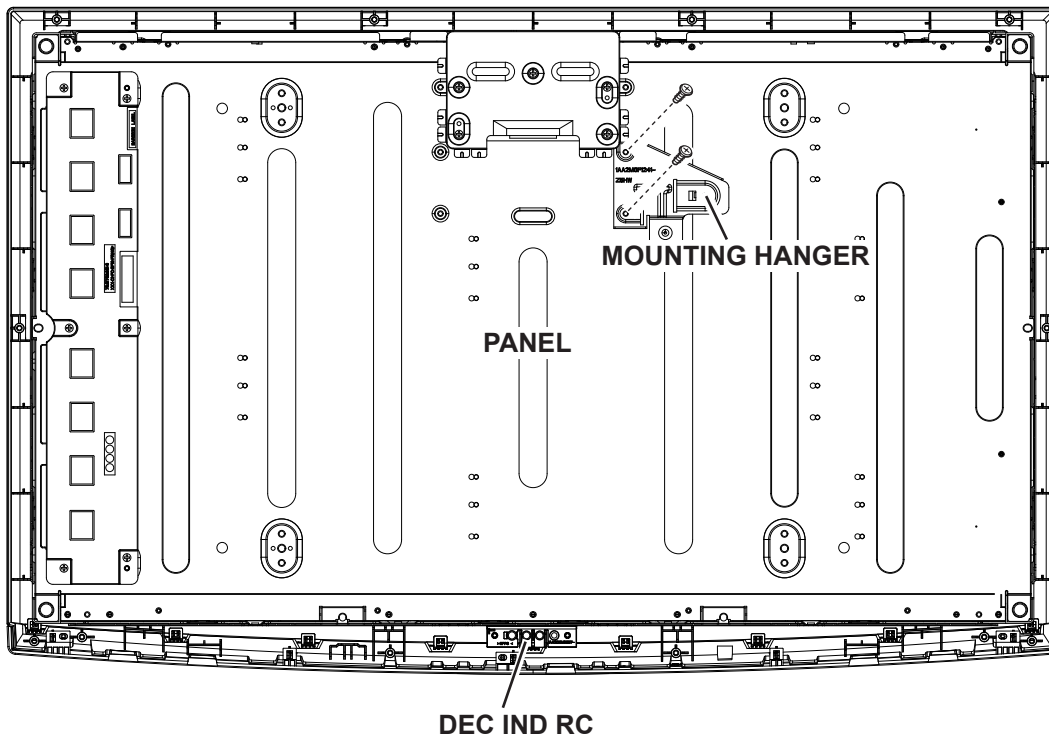
1. Remove 14 screws and take the **CABINET BACK** off.



Mechanical Disassembly

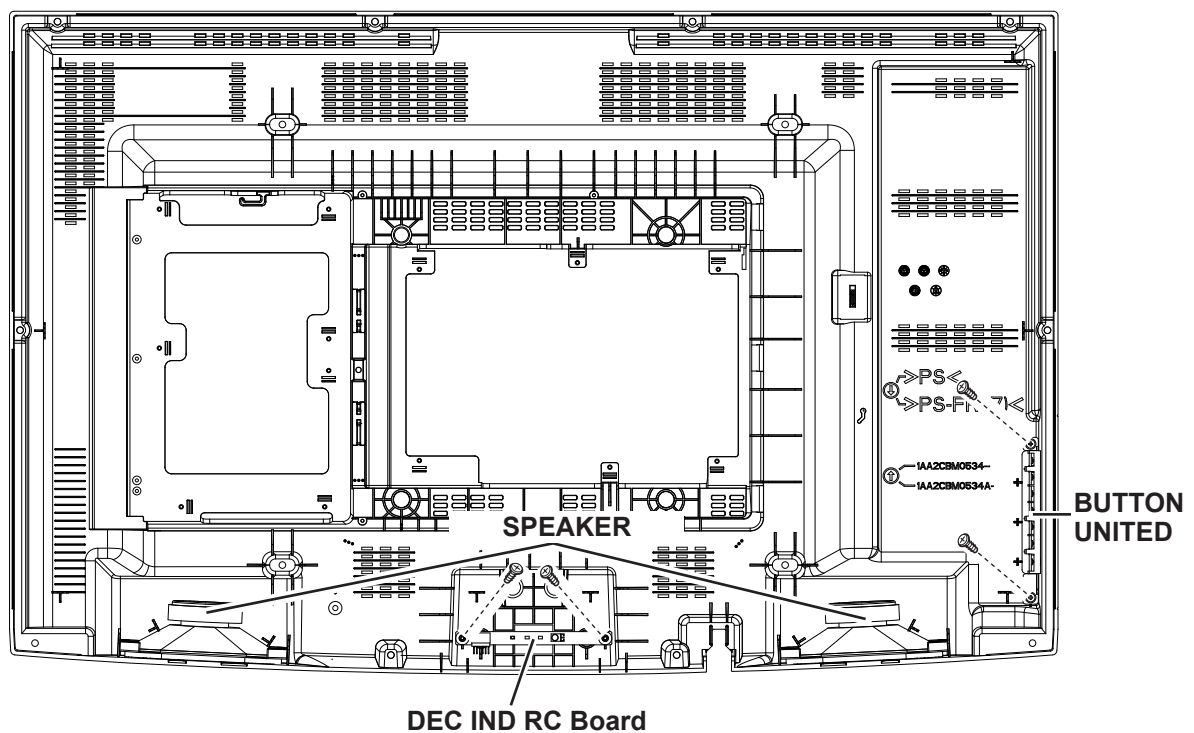
5. DEC IND RC, MOUNTING HANGER and PANEL Removal

1. Take the **DEC IND RC** off.
2. Remove 2 screws and take **MOUNTING HANGER** off.
3. Take the **PANEL** off.



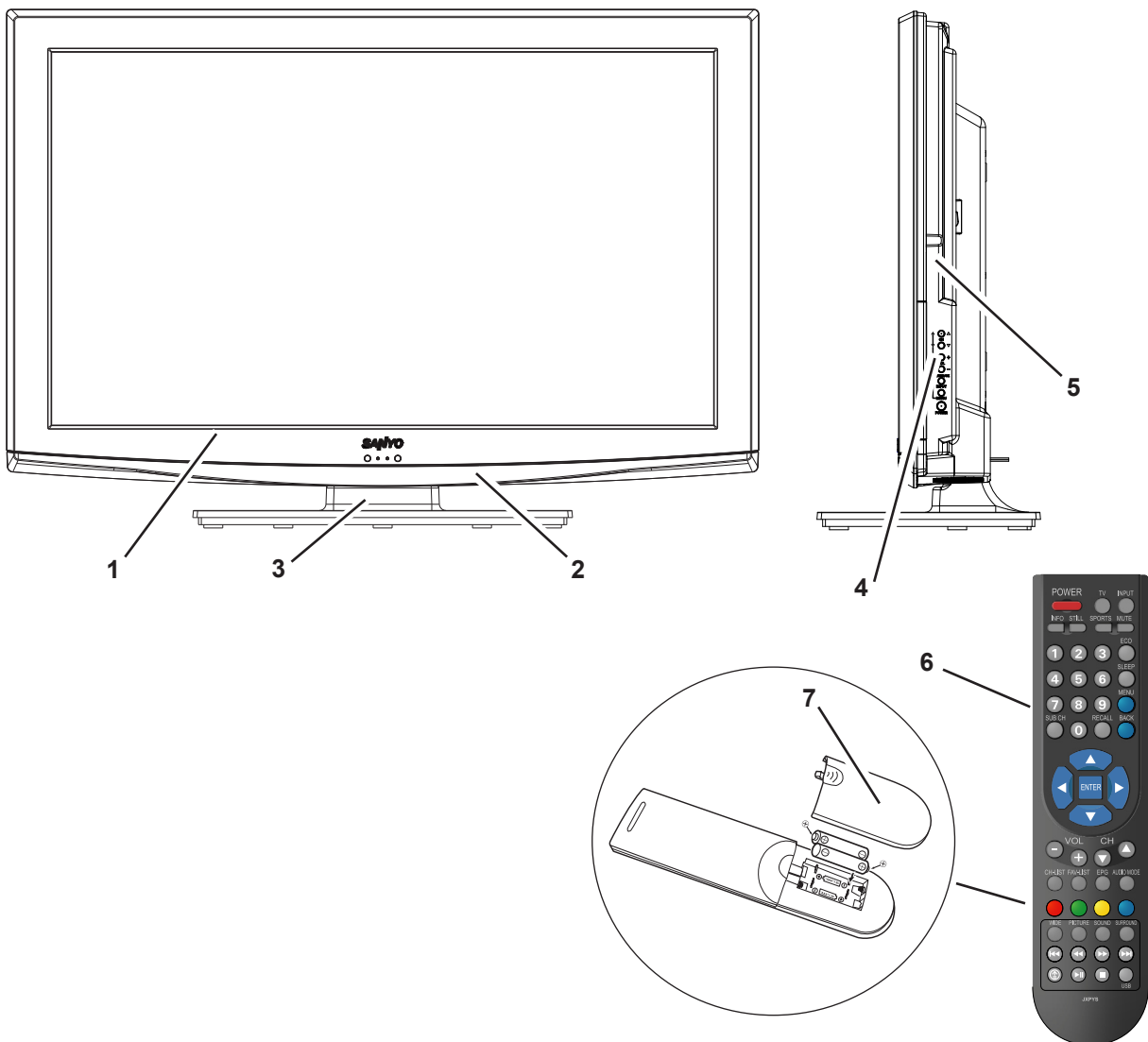
6. SPEARKE, DEC IND RC Board and BUTTON UNITED Removal

1. Take the **SPEARKE** off.
2. Remove 2 screws and take **DEC IND RC Board** off.
3. Remove 2 screws and take **BUTTON UNITED** off.



Cabinet Parts List

Note: Parts order must contain Service Ref. No., Part No., and descriptions.



Note: The parts which are not described the part number in this parts list are not supplied for the service parts.

Key No.	Part No.	Description	Key No.	Part No.	Description
1	1AA2CAM0748-C	CABINET FRONT-Z5HV (For Z5HV/Z5HVA)			
	1AA2CAM0748--	CABINET FRONT-Z5HW (For Z5HW/Z5HWA)			
2	1AA2PAM0228--	DEC PANEL-Z5HW			
3	1AA2SDM0269--	STAND BASE-Z5HW			
4	1AA2BUM0617--	BUTTON UNITED-Z5HW			
5	1AA0CBM0144--	ASSY,CABINET BACK-Z5HW			
6	1LB0U10B03800	REMOCON,JXPYS			
7	1AA2RCM0314--	RC-BATTERY LID-JXPYC			
	1LG6P1P0791--	INSTRUCTIONS MANUAL-Z5HW			

Chassis Electrical Parts List

Note: Parts order must contain Service Ref. No., Part No., and descriptions.

Key No.	Part No.	Description	Key No.	Part No.	Description
ASSEMBLED BOARDS			R1907	301 162 2417	MT-GLAZE 1.2K JA 1/10W
A102	655 004 5133	ASSY,PWB,KEY Z5LW	R1908	301 256 5416	MT-GLAZE 3.6K JA 1/10W
A103	655 004 5140	ASSY,PWB,RC Z5LW	R1909	301 256 3412	MT-GLAZE 7.5K JA 1/10W
⚠ A101	655 004 7564	ASSY,PWB,MAIN Z5HV (For Z5HV)	R1910	301 256 1715	MT-GLAZE 33K JA 1/10W
	655 004 7526	ASSY,PWB,MAIN Z5HVA (For Z5HVA)	DIODE		
	655 004 7489	ASSY,PWB,MAIN Z5HW (For Z5HW)	D1903	307 206 5611	ZENER DIODE UDZS-TE-1710B
	655 004 7441	ASSY,PWB,MAIN Z5HWA (For Z5HWA)		408 063 2403	ZENER DIODE MM3Z 10B
⚠ A200	655 004 5232	ASSY,PWB,SUB COMP Z5LW	D1904	307 206 5611	ZENER DIODE UDZS-TE-1710B
⚠ A300	655 004 4150	ASSY,PWB,POWER COMP Z5HW (For Z5HV/Z5HVA)		408 063 2403	ZENER DIODE MM3Z 10B
⚠ A600	655 004 4150	ASSY,PWB,POWER COMP Z5HW (For Z5HW/Z5HWA)	D1905	307 206 5611	ZENER DIODE UDZS-TE-1710B
OUT OF CIRCUIT BOARD				408 063 2403	ZENER DIODE MM3Z 10B
	652 002 3222	SOCKET,HOUSING 2P	D1906	307 206 5611	ZENER DIODE UDZS-TE-1710B
03	952 001 6324	SOCKET,HOUSING 3P		408 063 2403	ZENER DIODE MM3Z 10B
03	952 001 6348	SOCKET,HOUSING 4P	D1907	307 206 5611	ZENER DIODE UDZS-TE-1710B
03	952 001 6300	SOCKET,HOUSING 5P		408 063 2403	ZENER DIODE MM3Z 10B
03	952 001 6270	SOCKET,HOUSING 9P	D1908	307 206 5611	ZENER DIODE UDZS-TE-1710B
03	952 001 6355	SOCKET,HOUSING 10P		408 063 2403	ZENER DIODE MM3Z 10B
03	652 002 1501	SOCKET,HOUSING 14P	D1909	307 206 5611	ZENER DIODE UDZS-TE-1710B
03	952 001 6164	TERMINAL,SOCKET		408 063 2403	ZENER DIODE MM3Z 10B
03	952 001 6164	TERMINAL,SOCKET		408 063 2403	ZENER DIODE MM3Z 10B
03	952 001 6164	TERMINAL,SOCKET		408 063 2403	ZENER DIODE MM3Z 10B
03	952 001 6164	TERMINAL,SOCKET		408 063 2403	ZENER DIODE MM3Z 10B
⚠ EL901	645 104 3375	LCD(T315XW03 V305) (For Z5HV)	MISCELLANEOUS		
	645 102 6767	LCD(T315XW03 V3) (For Z5HVA)	K1980	645 074 0299	PLUG,SIDE-ZR-SM4 4P
	645 104 3450	LCD(T315HW04 VD) (For Z5HW)	SC1900	945 076 3503	SURGE-ABSORBER
	645 103 5806	LCD(T315HW04 V7,Z29) (For Z5HWA)	SC1901	945 076 3503	SURGE-ABSORBER
SP901	652 003 1968	SPEAKER,8	SW1901	952 001 8830	SWITCH,PUSH1P-1TX1
SP902	652 003 1968	SPEAKER,8		945 026 2792	SWITCH,PUSH 1P-1TX1
W1606	652 003 4297	NONSTANDARD WIRE ASSY	SW1902	952 001 8830	SWITCH,PUSH1P-1TX1
W6902	652 003 4358	NON STANDARD WIRE		945 026 2792	SWITCH,PUSH 1P-1TX1
W7500	652 003 4433	CORD 30PIN (LVDS) (For Z5HV/Z5HVA)	SW1903	952 001 8830	SWITCH,PUSH1P-1TX1
	652 003 4419	CORD 51PIN (LVDS) (For Z5HW/Z5HWA)		945 026 2792	SWITCH,PUSH 1P-1TX1
⚠ W901	652 003 1470	CORD,POWER-2415MM	SW1904	952 001 8830	SWITCH,PUSH1P-1TX1
WSP9L	652 003 4310	NONSTANDARD WIRE ASSY		945 026 2792	SWITCH,PUSH 1P-1TX1
WSP9R	652 003 4327	NONSTANDARD WIRE ASSY	SW1905	952 001 8830	SWITCH,PUSH1P-1TX1
RESISTOR				945 026 2792	SWITCH,PUSH 1P-1TX1
R1903	301 162 2417	MT-GLAZE 1.2K JA 1/10W	SW1906	952 001 8830	SWITCH,PUSH1P-1TX1
R1905	301 256 5416	MT-GLAZE 3.6K JA 1/10W		945 026 2792	SWITCH,PUSH 1P-1TX1
R1906	301 256 3412	MT-GLAZE 7.5K JA 1/10W	SW1907	952 001 8830	SWITCH,PUSH1P-1TX1
				945 026 2792	SWITCH,PUSH 1P-1TX1
			TRANSISTOR		
			Q1901	305 015 8727	TR 2SC2812-L6-TB
				305 015 8925	TR 2SC2812-L7-TB
				305 163 1615	TR 2SC2812N-L6-TB0
				305 173 9915	TR 2SC3928A1S
				305 173 9816	TR 2SC3928A1R
				406 021 4407	TR MMBTSC3928R
			Q1902	305 015 8727	TR 2SC2812-L6-TB
				305 015 8925	TR 2SC2812-L7-TB
				305 163 1615	TR 2SC2812N-L6-TB0
				305 173 9915	TR 2SC3928A1S
				305 173 9816	TR 2SC3928A1R
				406 021 4407	TR MMBTSC3928R
			Q1903	305 015 8727	TR 2SC2812-L6-TB

Chassis Electrical Parts List

Key No.	Part No.	Description	Key No.	Part No.	Description
	305 015 8925	TR 2SC2812-L7-TB		305 015 8925	TR 2SC2812-L7-TB
	305 163 1615	TR 2SC2812N-L6-TB0		305 163 1615	TR 2SC2812N-L6-TB0
	305 173 9915	TR 2SC3928A1S		305 173 9915	TR 2SC3928A1S
	305 173 9816	TR 2SC3928A1R		305 173 9816	TR 2SC3928A1R
	406 021 4407	TR MMBTSC3928R		406 021 4407	TR MMBTSC3928R
INTEGRATED CIRCUIT			Q3222	305 015 8727	TR 2SC2812-L6-TB
IC1901	409 691 5814	IC BH1600FVC		305 015 8925	TR 2SC2812-L7-TB
CAPACITOR				305 163 1615	TR 2SC2812N-L6-TB0
C1920	303 368 7319	CERAMIC 10U K 6.3V		305 173 9915	TR 2SC3928A1S
C1921	303 368 7319	CERAMIC 10U K 6.3V		305 173 9816	TR 2SC3928A1R
C1922	303 113 3818	CERAMIC 1000P K 50V		406 021 4407	TR MMBTSC3928R
	304 090 1108	CERAMIC 1000P K 50V	Q3223	305 015 8727	TR 2SC2812-L6-TB
	304 103 2405	CERAMIC 1000P K 50V		305 015 8925	TR 2SC2812-L7-TB
C1923	304 091 2609	CERAMIC 0.1U K 50V		305 163 1615	TR 2SC2812N-L6-TB0
	303 367 0410	CERAMIC 0.1U K 50V		305 173 9915	TR 2SC3928A1S
	304 104 4903	CERAMIC 0.1U K 50V		305 173 9816	TR 2SC3928A1R
RESISTOR				406 021 4407	TR MMBTSC3928R
R1920	301 162 2912	MT-GLAZE 220 JA 1/10W	Q5501	305 147 2218	TR 2SA1037AK-S-T146
R1921	301 162 2912	MT-GLAZE 220 JA 1/10W		405 220 3016	TR ISA1235AC1F
R1922	301 255 6513	MT-GLAZE 100 JA 1/10W		305 134 5928	TR 2SA1037AK-T146-R
R1923	301 162 3018	MT-GLAZE 22K JA 1/10W		405 220 3115	TR ISA1235AC1E
R1924	301 256 6215	MT-GLAZE 270 JA 1/10W		305 173 9717	TR 2SA1235A1F
R1925	301 162 3018	MT-GLAZE 22K JA 1/10W		305 173 9618	TR 2SA1235A1E
R1926	301 256 0312	MT-GLAZE 820 JA 1/10W		406 021 4308	TR MMBTSA1235F
R1929	301 150 5918	MT-GLAZE 10K JA 1/10W	Q6521	305 015 8727	TR 2SC2812-L6-TB
R1930	301 150 6014	MT-GLAZE 0.000 ZA 1/10W		305 015 8925	TR 2SC2812-L7-TB
R1932	301 150 5918	MT-GLAZE 10K JA 1/10W		305 163 1615	TR 2SC2812N-L6-TB0
R1933	301 255 9514	MT-GLAZE 220K JA 1/10W		305 173 9915	TR 2SC3928A1S
R1935	301 162 2813	MT-GLAZE 1.8K JA 1/10W		305 173 9816	TR 2SC3928A1R
R1936	301 256 5911	MT-GLAZE 2.7K JA 1/10W		406 021 4407	TR MMBTSC3928R
R1937	301 162 3117	MT-GLAZE 3.3K JA 1/10W	Q6541	305 015 8727	TR 2SC2812-L6-TB
R1938	301 162 3018	MT-GLAZE 22K JA 1/10W		305 015 8925	TR 2SC2812-L7-TB
DIODE				305 163 1615	TR 2SC2812N-L6-TB0
D1901	407 261 9118	LED SML-012BC4TT86		305 173 9915	TR 2SC3928A1S
D1902	307 199 1812	LED SML-020MLT-T86		305 173 9816	TR 2SC3928A1R
MISCELLANEOUS				406 021 4407	TR MMBTSC3928R
K1905	645 074 0336	PLUG,SIDE-ZR-SM4 6P	Q6561	305 015 8727	TR 2SC2812-L6-TB
U1901	652 003 1999	UNIT,REMOCON,RECEIVER		305 015 8925	TR 2SC2812-L7-TB
	645 091 7189	UNIT,REMOCON RECEIVER		305 163 1615	TR 2SC2812N-L6-TB0
TRANSISTOR				305 173 9915	TR 2SC3928A1S
Q001	305 015 8727	TR 2SC2812-L6-TB		305 173 9816	TR 2SC3928A1R
	305 015 8925	TR 2SC2812-L7-TB		406 021 4407	TR MMBTSC3928R
	305 163 1615	TR 2SC2812N-L6-TB0	Q6850	305 147 2218	TR 2SA1037AK-S-T146
	305 173 9915	TR 2SC3928A1S		405 220 3016	TR ISA1235AC1F
	305 173 9816	TR 2SC3928A1R		305 134 5928	TR 2SA1037AK-T146-R
	406 021 4407	TR MMBTSC3928R		405 220 3115	TR ISA1235AC1E
Q080	305 015 8727	TR 2SC2812-L6-TB		305 173 9717	TR 2SA1235A1F
	305 015 8925	TR 2SC2812-L7-TB		305 173 9618	TR 2SA1235A1E
	305 163 1615	TR 2SC2812N-L6-TB0		406 021 4308	TR MMBTSA1235F
	305 173 9915	TR 2SC3928A1S	Q6851	305 015 8727	TR 2SC2812-L6-TB
	305 173 9816	TR 2SC3928A1R		305 015 8925	TR 2SC2812-L7-TB
	406 021 4407	TR MMBTSC3928R		305 163 1615	TR 2SC2812N-L6-TB0
Q3221	305 015 8727	TR 2SC2812-L6-TB		305 173 9915	TR 2SC3928A1S

Chassis Electrical Parts List

Key No.	Part No.	Description	Key No.	Part No.	Description																																																			
Q6861	305 173 9816	TR 2SC3928A1R	IC5750	410 625 6200	IC MX25L3206EM2I-12G-Z5HWA (For Z5HWA)																																																			
	406 021 4407	TR MMBTSC3928R																																																						
	305 015 8727	TR 2SC2812-L6-TB																																																						
	305 015 8925	TR 2SC2812-L7-TB																																																						
	305 163 1615	TR 2SC2812N-L6-TB0																																																						
	305 173 9915	TR 2SC3928A1S																																																						
	305 173 9816	TR 2SC3928A1R																																																						
	406 021 4407	TR MMBTSC3928R																																																						
	305 015 8727	TR 2SC2812-L6-TB																																																						
	305 015 8925	TR 2SC2812-L7-TB																																																						
Q6880	305 163 1615	TR 2SC2812N-L6-TB0	IC5801	409 711 0921	IC 24LC32AT-I/SNG--N3VP																																																			
	305 173 9915	TR 2SC3928A1S																																																						
	305 173 9816	TR 2SC3928A1R																																																						
	406 021 4407	TR MMBTSC3928R																																																						
	305 015 8727	TR 2SC2812-L6-TB																																																						
	305 015 8925	TR 2SC2812-L7-TB																																																						
	305 163 1615	TR 2SC2812N-L6-TB0																																																						
	305 173 9915	TR 2SC3928A1S																																																						
	305 173 9816	TR 2SC3928A1R																																																						
	406 021 4407	TR MMBTSC3928R																																																						
Q6881	305 015 8727	TR 2SC2812-L6-TB	IC5802	409 711 5312	IC AP1122EG-13																																																			
	305 015 8925	TR 2SC2812-L7-TB																																																						
	305 163 1615	TR 2SC2812N-L6-TB0																																																						
	305 173 9915	TR 2SC3928A1S																																																						
	305 173 9816	TR 2SC3928A1R																																																						
	406 021 4407	TR MMBTSC3928R																																																						
	305 015 8727	TR 2SC2812-L6-TB																																																						
	305 015 8925	TR 2SC2812-L7-TB																																																						
	305 163 1615	TR 2SC2812N-L6-TB0																																																						
	305 173 9915	TR 2SC3928A1S																																																						
Q6883	305 173 9816	TR 2SC3928A1R	IC6601	409 695 9313	IC RT9711CGB																																																			
	406 021 4407	TR MMBTSC3928R																																																						
	305 015 8727	TR 2SC2812-L6-TB																																																						
	305 015 8925	TR 2SC2812-L7-TB																																																						
	305 163 1615	TR 2SC2812N-L6-TB0																																																						
	305 173 9915	TR 2SC3928A1S																																																						
	305 173 9816	TR 2SC3928A1R																																																						
	406 021 4407	TR MMBTSC3928R																																																						
	305 015 8727	TR 2SC2812-L6-TB																																																						
	305 015 8925	TR 2SC2812-L7-TB																																																						
Q6921	305 163 1615	TR 2SC2812N-L6-TB0	IC6801	409 683 6515	IC LM1117S-3.3																																																			
	305 173 9915	TR 2SC3928A1S																																																						
	305 173 9816	TR 2SC3928A1R																																																						
	406 021 4407	TR MMBTSC3928R																																																						
	305 015 8727	TR 2SC2812-L6-TB																																																						
	305 015 8925	TR 2SC2812-L7-TB																																																						
	305 163 1615	TR 2SC2812N-L6-TB0																																																						
	305 173 9915	TR 2SC3928A1S																																																						
	305 173 9816	TR 2SC3928A1R																																																						
	406 021 4407	TR MMBTSC3928R																																																						
Q6922	406 022 6004	TR RQJ0201UGDQA#H6	IC6802	409 683 6515	IC AMS1117-3.3																																																			
	305 015 8727	TR 2SC2812-L6-TB																																																						
	305 015 8925	TR 2SC2812-L7-TB																																																						
	305 163 1615	TR 2SC2812N-L6-TB0																																																						
	305 173 9915	TR 2SC3928A1S																																																						
	305 173 9816	TR 2SC3928A1R																																																						
	406 021 4407	TR MMBTSC3928R																																																						
	305 015 8727	TR 2SC2812-L6-TB																																																						
	305 015 8925	TR 2SC2812-L7-TB																																																						
	305 163 1615	TR 2SC2812N-L6-TB0																																																						
Q6931	305 173 9915	TR 2SC3928A1S	IC6803	309 644 4010	IC AMS1117-1.8																																																			
	305 173 9816	TR 2SC3928A1R																																																						
	406 021 4407	TR MMBTSC3928R																																																						
	305 015 8727	TR 2SC2812-L6-TB																																																						
	305 015 8925	TR 2SC2812-L7-TB																																																						
	305 163 1615	TR 2SC2812N-L6-TB0																																																						
	305 173 9915	TR 2SC3928A1S																																																						
	305 173 9816	TR 2SC3928A1R																																																						
	406 021 4407	TR MMBTSC3928R																																																						
	406 021 4407	TR MMBTSC3928R																																																						
INTEGRATED CIRCUIT			IC6804	409 701 4219	IC LM1117S-2.5																																																			
IC001	409 711 0713	IC R2A15120FA																																																						
IC003	309 387 0911	IC BA4558F-E2																																																						
IC005	409 691 0314	IC TPA6110A2DGNR																																																						
IC5501	409 711 0812	IC MSD309PX-LF-SA																																																						
IC5502	410 671 6308	IC XC6108N28AMR																																																						
IC5601	410 688 1105	IC H5PS5162FFR-25C																																																						
IC5602	410 688 1105	IC H5PS5162FFR-25C																																																						
IC5700	410 729 9602	IC MX25L3206EM2I-12G-Z5HV (For Z5HV)																																																						
		IC MX25L3206EM2I-12G-Z5HVA (For Z5HVA)																																																						
	410 729 9800	IC MX25L3206EM2I-12G-Z5HW (For Z5HW)																																																						
			CAPACITOR	C001	303 400 9219	ELECT	330U M	35V																																																
									C002	304 091 2609	303 367 0410	CERAMIC	0.1U K	50V																																										
															C003	304 091 2609	304 104 4903	CERAMIC	0.1U K	50V																																				
																					C004	304 091 2609	303 367 0410	CERAMIC	0.1U K	50V																														
																											C005	304 091 2609	304 104 4903	CERAMIC	0.1U K	50V																								
																																	C006	303 437 4614	304 104 4903	CERAMIC	10U K	25V																		
																																							C007	304 091 2609	303 367 0410	CERAMIC	0.1U K	50V												
																																													C008	404 121 2903	304 104 4903	CERAMIC	0.1U K	50V						
																																																			C009	404 121 2903	303 382 7814	CERAMIC	2.2U K	10V
			C011	404 121 2903	303 382 7814	CERAMIC	2.2U K	10V																																																
									C012	404 121 2903	303 382 7814	CERAMIC	2.2U K	10V																																										
															C013	303 437 4614	303 336 3510	CERAMIC	0.47U K	16V																																				
																					C015	303 336 3510	303 336 3510	CERAMIC	0.47U K	16V																														
																											C016	303 336 3510	303 336 3510	CERAMIC	0.47U K	16V																								
																																	C017	303 336 3510	303 336 3510	CERAMIC	0.47U K	16V																		
																																							C018	303 336 3510	303 336 3510	CERAMIC	0.47U K	16V												
																																													C019	303 336 3510	303 336 3510	CERAMIC	0.47U K	16V						
																																																			C020	303 336 3510	303 336 3510	CERAMIC	0.47U K	16V
			C022	303 336 3510	303 336 3510	CERAMIC	0.47U K	16V																																																
									C036	303 386 0910	303 386 0910	ELECT	100U M	16V																																										
															C039	304 103 7608	304 103 7608	CERAMIC	220P J	50V																																				

Chassis Electrical Parts List

Key No.	Part No.	Description	Key No.	Part No.	Description
	303 157 4215	CERAMIC 220P J 50V		304 104 6709	CERAMIC 0.047U K 50V
	304 094 7700	CERAMIC 220P J 50V	C5504	304 103 2702	CERAMIC 18P J 50V
C040	303 379 6714	CERAMIC 10U K 16V		304 094 7304	CERAMIC 18P J 50V
C041	304 103 7608	CERAMIC 220P J 50V		303 139 7319	CERAMIC 18P J 50V
	303 157 4215	CERAMIC 220P J 50V	C5505	304 103 2702	CERAMIC 18P J 50V
	304 094 7700	CERAMIC 220P J 50V		304 094 7304	CERAMIC 18P J 50V
C042	303 113 4112	CERAMIC 2200P K 50V		303 139 7319	CERAMIC 18P J 50V
	304 091 3309	CERAMIC 2200P K 50V	C5506	304 091 2609	CERAMIC 0.1U K 50V
	304 104 5702	CERAMIC 2200P K 50V		303 367 0410	CERAMIC 0.1U K 50V
C043	304 094 6505	CERAMIC 1000P J 50V		304 104 4903	CERAMIC 0.1U K 50V
	303 265 3216	CERAMIC 1000P J 50V	C5507	304 091 2609	CERAMIC 0.1U K 50V
	304 104 0301	CERAMIC 1000P J 50V		303 367 0410	CERAMIC 0.1U K 50V
C044	304 103 7608	CERAMIC 220P J 50V		304 104 4903	CERAMIC 0.1U K 50V
	303 157 4215	CERAMIC 220P J 50V	C5508	304 091 4504	CERAMIC 0.047U K 50V
	304 094 7700	CERAMIC 220P J 50V		303 356 5112	CERAMIC 0.047U K 50V
C045	304 094 6505	CERAMIC 1000P J 50V		304 104 6709	CERAMIC 0.047U K 50V
	303 265 3216	CERAMIC 1000P J 50V	C5509	304 091 2609	CERAMIC 0.1U K 50V
	304 104 0301	CERAMIC 1000P J 50V		303 367 0410	CERAMIC 0.1U K 50V
C046	303 379 6714	CERAMIC 10U K 16V		304 104 4903	CERAMIC 0.1U K 50V
C047	304 103 7608	CERAMIC 220P J 50V	C5510	304 091 2609	CERAMIC 0.1U K 50V
	303 157 4215	CERAMIC 220P J 50V		303 367 0410	CERAMIC 0.1U K 50V
	304 094 7700	CERAMIC 220P J 50V		304 104 4903	CERAMIC 0.1U K 50V
C048	303 113 4112	CERAMIC 2200P K 50V	C5511	404 121 2903	CERAMIC 2.2U K 10V
	304 091 3309	CERAMIC 2200P K 50V		303 382 7814	CERAMIC 2.2U K 10V
	304 104 5702	CERAMIC 2200P K 50V	C5512	303 139 7517	CERAMIC 39P J 50V
C071	304 091 2609	CERAMIC 0.1U K 50V	C5513	304 091 4504	CERAMIC 0.047U K 50V
	303 367 0410	CERAMIC 0.1U K 50V		303 356 5112	CERAMIC 0.047U K 50V
	304 104 4903	CERAMIC 0.1U K 50V		304 104 6709	CERAMIC 0.047U K 50V
C073	303 386 0910	ELECT 100U M 16V	C5514	304 091 4504	CERAMIC 0.047U K 50V
C080	304 091 2609	CERAMIC 0.1U K 50V		303 356 5112	CERAMIC 0.047U K 50V
	303 367 0410	CERAMIC 0.1U K 50V		304 104 6709	CERAMIC 0.047U K 50V
	304 104 4903	CERAMIC 0.1U K 50V	C5515	304 091 4504	CERAMIC 0.047U K 50V
C081	404 121 2903	CERAMIC 2.2U K 10V		303 356 5112	CERAMIC 0.047U K 50V
	303 382 7814	CERAMIC 2.2U K 10V		304 104 6709	CERAMIC 0.047U K 50V
C082	303 382 6312	CERAMIC 1U K 16V	C5519	304 091 4504	CERAMIC 0.047U K 50V
	404 116 7500	CERAMIC 1U K 16V		303 356 5112	CERAMIC 0.047U K 50V
C083	304 091 2609	CERAMIC 0.1U K 50V		304 104 6709	CERAMIC 0.047U K 50V
	303 367 0410	CERAMIC 0.1U K 50V	C5520	304 091 4504	CERAMIC 0.047U K 50V
	304 104 4903	CERAMIC 0.1U K 50V		303 356 5112	CERAMIC 0.047U K 50V
C084	303 384 1414	ELECT 47U M 16V		304 104 6709	CERAMIC 0.047U K 50V
C085	304 103 3006	CERAMIC 0.022U K 50V	C5521	304 091 4504	CERAMIC 0.047U K 50V
	303 284 4317	CERAMIC 0.022U K 50V		303 356 5112	CERAMIC 0.047U K 50V
	304 090 1504	CERAMIC 0.022U K 50V		304 104 6709	CERAMIC 0.047U K 50V
C086	304 103 3006	CERAMIC 0.022U K 50V	C5522	304 091 2609	CERAMIC 0.1U K 50V
	303 284 4317	CERAMIC 0.022U K 50V		303 367 0410	CERAMIC 0.1U K 50V
	304 090 1504	CERAMIC 0.022U K 50V		304 104 4903	CERAMIC 0.1U K 50V
C087	404 121 2903	CERAMIC 2.2U K 10V	C5524	404 115 0809	CERAMIC 0.22U K 50V
	303 382 7814	CERAMIC 2.2U K 10V		304 091 3408	CERAMIC 0.22U K 50V
C3221	404 116 7500	CERAMIC 1U K 16V	C5526	304 094 6505	CERAMIC 1000P J 50V
C5501	303 437 4614	CERAMIC 10U K 25V		303 265 3216	CERAMIC 1000P J 50V
C5502	303 437 4614	CERAMIC 10U K 25V		304 104 0301	CERAMIC 1000P J 50V
C5503	304 091 4504	CERAMIC 0.047U K 50V	C5527	404 121 2903	CERAMIC 2.2U K 10V
	303 356 5112	CERAMIC 0.047U K 50V		303 382 7814	CERAMIC 2.2U K 10V

Chassis Electrical Parts List

Key No.	Part No.	Description	Key No.	Part No.	Description
	303 367 0410	CERAMIC 0.1U K 50V		303 367 0410	CERAMIC 0.1U K 50V
	304 104 4903	CERAMIC 0.1U K 50V		304 104 4903	CERAMIC 0.1U K 50V
C5704	304 091 2609	CERAMIC 0.1U K 50V	C5818	303 382 6312	CERAMIC 1U K 16V
	303 367 0410	CERAMIC 0.1U K 50V		404 116 7500	CERAMIC 1U K 16V
	304 104 4903	CERAMIC 0.1U K 50V	C5819	304 091 2609	CERAMIC 0.1U K 50V
C5750	304 091 2609	CERAMIC 0.1U K 50V		303 367 0410	CERAMIC 0.1U K 50V
	303 367 0410	CERAMIC 0.1U K 50V		304 104 4903	CERAMIC 0.1U K 50V
	304 104 4903	CERAMIC 0.1U K 50V	C5820	303 382 6312	CERAMIC 1U K 16V
C5801	304 091 2609	CERAMIC 0.1U K 50V		404 116 7500	CERAMIC 1U K 16V
	303 367 0410	CERAMIC 0.1U K 50V	C5821	304 091 2609	CERAMIC 0.1U K 50V
	304 104 4903	CERAMIC 0.1U K 50V		303 367 0410	CERAMIC 0.1U K 50V
C5802	304 098 0707	ELECT 47U M 6.3V		304 104 4903	CERAMIC 0.1U K 50V
	303 384 1315	ELECT 47U M 6.3V	C5822	304 091 2609	CERAMIC 0.1U K 50V
C5803	304 091 2609	CERAMIC 0.1U K 50V		303 367 0410	CERAMIC 0.1U K 50V
	303 367 0410	CERAMIC 0.1U K 50V		304 104 4903	CERAMIC 0.1U K 50V
	304 104 4903	CERAMIC 0.1U K 50V	C5823	304 091 2609	CERAMIC 0.1U K 50V
C5804	304 091 2609	CERAMIC 0.1U K 50V		303 367 0410	CERAMIC 0.1U K 50V
	303 367 0410	CERAMIC 0.1U K 50V		304 104 4903	CERAMIC 0.1U K 50V
	304 104 4903	CERAMIC 0.1U K 50V	C5824	304 103 2702	CERAMIC 18P J 50V
C5805	304 091 2609	CERAMIC 0.1U K 50V		304 094 7304	CERAMIC 18P J 50V
	303 367 0410	CERAMIC 0.1U K 50V		303 139 7319	CERAMIC 18P J 50V
	304 104 4903	CERAMIC 0.1U K 50V	C5825	304 103 2702	CERAMIC 18P J 50V
C5806	304 091 2609	CERAMIC 0.1U K 50V		304 094 7304	CERAMIC 18P J 50V
	303 367 0410	CERAMIC 0.1U K 50V		303 139 7319	CERAMIC 18P J 50V
	304 104 4903	CERAMIC 0.1U K 50V	C5826	304 103 2702	CERAMIC 18P J 50V
C5807	304 091 2609	CERAMIC 0.1U K 50V		304 094 7304	CERAMIC 18P J 50V
	303 367 0410	CERAMIC 0.1U K 50V		303 139 7319	CERAMIC 18P J 50V
	304 104 4903	CERAMIC 0.1U K 50V	C5827	304 103 2702	CERAMIC 18P J 50V
C5808	303 394 3118	ELECT 100U M 10V		304 094 7304	CERAMIC 18P J 50V
C5809	304 091 2609	CERAMIC 0.1U K 50V		303 139 7319	CERAMIC 18P J 50V
	303 367 0410	CERAMIC 0.1U K 50V	C5828	304 094 6505	CERAMIC 1000P J 50V
	304 104 4903	CERAMIC 0.1U K 50V		303 265 3216	CERAMIC 1000P J 50V
C5810	304 091 2609	CERAMIC 0.1U K 50V		304 104 0301	CERAMIC 1000P J 50V
	303 367 0410	CERAMIC 0.1U K 50V	C5829	304 091 2609	CERAMIC 0.1U K 50V
	304 104 4903	CERAMIC 0.1U K 50V		303 367 0410	CERAMIC 0.1U K 50V
C5811	304 091 2609	CERAMIC 0.1U K 50V		304 104 4903	CERAMIC 0.1U K 50V
	303 367 0410	CERAMIC 0.1U K 50V	C5830	304 091 2609	CERAMIC 0.1U K 50V
	304 104 4903	CERAMIC 0.1U K 50V		303 367 0410	CERAMIC 0.1U K 50V
C5812	304 091 2609	CERAMIC 0.1U K 50V		304 104 4903	CERAMIC 0.1U K 50V
	303 367 0410	CERAMIC 0.1U K 50V	C5831	304 091 2609	CERAMIC 0.1U K 50V
	304 104 4903	CERAMIC 0.1U K 50V		303 367 0410	CERAMIC 0.1U K 50V
C5813	304 091 2609	CERAMIC 0.1U K 50V		304 104 4903	CERAMIC 0.1U K 50V
	303 367 0410	CERAMIC 0.1U K 50V	C5832	303 382 6312	CERAMIC 1U K 16V
	304 104 4903	CERAMIC 0.1U K 50V		404 116 7500	CERAMIC 1U K 16V
C5814	304 091 2609	CERAMIC 0.1U K 50V	C5833	304 091 2609	CERAMIC 0.1U K 50V
	303 367 0410	CERAMIC 0.1U K 50V		303 367 0410	CERAMIC 0.1U K 50V
	304 104 4903	CERAMIC 0.1U K 50V		304 104 4903	CERAMIC 0.1U K 50V
C5815	304 091 2609	CERAMIC 0.1U K 50V	C5835	304 091 2609	CERAMIC 0.1U K 50V
	303 367 0410	CERAMIC 0.1U K 50V		303 367 0410	CERAMIC 0.1U K 50V
	304 104 4903	CERAMIC 0.1U K 50V		304 104 4903	CERAMIC 0.1U K 50V
C5816	303 382 6312	CERAMIC 1U K 16V	C5836	304 091 4504	CERAMIC 0.047U K 50V
	404 116 7500	CERAMIC 1U K 16V		303 356 5112	CERAMIC 0.047U K 50V
C5817	304 091 2609	CERAMIC 0.1U K 50V		304 104 6709	CERAMIC 0.047U K 50V

Chassis Electrical Parts List

Key No.	Part No.	Description	Key No.	Part No.	Description
C5837	304 091 4504	CERAMIC 0.047U K 50V		304 104 4903	CERAMIC 0.1U K 50V
	303 356 5112	CERAMIC 0.047U K 50V	C6811	304 091 2609	CERAMIC 0.1U K 50V
	304 104 6709	CERAMIC 0.047U K 50V		303 367 0410	CERAMIC 0.1U K 50V
C5838	304 091 2609	CERAMIC 0.1U K 50V		304 104 4903	CERAMIC 0.1U K 50V
	303 367 0410	CERAMIC 0.1U K 50V	C6812	303 394 3118	ELECT 100U M 10V
	304 104 4903	CERAMIC 0.1U K 50V	C6813	304 098 0707	ELECT 47U M 6.3V
C5839	304 091 2609	CERAMIC 0.1U K 50V		303 384 1315	ELECT 47U M 6.3V
	303 367 0410	CERAMIC 0.1U K 50V	C6815	304 091 2609	CERAMIC 0.1U K 50V
	304 104 4903	CERAMIC 0.1U K 50V		303 367 0410	CERAMIC 0.1U K 50V
C5840	304 091 2609	CERAMIC 0.1U K 50V		304 104 4903	CERAMIC 0.1U K 50V
	303 367 0410	CERAMIC 0.1U K 50V	C6816	303 397 7618	CERAMIC 1U K 25V
	304 104 4903	CERAMIC 0.1U K 50V	C6819	304 091 2609	CERAMIC 0.1U K 50V
C5841	304 104 4200	CERAMIC 56P J 50V		303 367 0410	CERAMIC 0.1U K 50V
	303 157 3119	CERAMIC 56P J 50V		304 104 4903	CERAMIC 0.1U K 50V
	304 094 8905	CERAMIC 56P J 50V	C6822	304 091 2609	CERAMIC 0.1U K 50V
C5842	304 091 2609	CERAMIC 0.1U K 50V		303 367 0410	CERAMIC 0.1U K 50V
	303 367 0410	CERAMIC 0.1U K 50V		304 104 4903	CERAMIC 0.1U K 50V
	304 104 4903	CERAMIC 0.1U K 50V	C6823	303 394 3118	ELECT 100U M 10V
C5843	304 091 2609	CERAMIC 0.1U K 50V	C6824	304 091 2609	CERAMIC 0.1U K 50V
	303 367 0410	CERAMIC 0.1U K 50V		303 367 0410	CERAMIC 0.1U K 50V
	304 104 4903	CERAMIC 0.1U K 50V		304 104 4903	CERAMIC 0.1U K 50V
C6511	404 121 2903	CERAMIC 2.2U K 10V	C6825	303 382 3212	ELECT 100U M 6.3V
	303 382 7814	CERAMIC 2.2U K 10V	C6826	304 091 2609	CERAMIC 0.1U K 50V
C6521	404 121 2903	CERAMIC 2.2U K 10V		303 367 0410	CERAMIC 0.1U K 50V
	303 382 7814	CERAMIC 2.2U K 10V		304 104 4903	CERAMIC 0.1U K 50V
C6541	404 121 2903	CERAMIC 2.2U K 10V	C6827	304 091 2609	CERAMIC 0.1U K 50V
	303 382 7814	CERAMIC 2.2U K 10V		303 367 0410	CERAMIC 0.1U K 50V
C6602	304 091 2609	CERAMIC 0.1U K 50V		304 104 4903	CERAMIC 0.1U K 50V
	303 367 0410	CERAMIC 0.1U K 50V	C6828	303 403 0114	ELECT 470U M 6.3V
	304 104 4903	CERAMIC 0.1U K 50V	C6829	303 403 0114	ELECT 470U M 6.3V
C6603	304 091 2609	CERAMIC 0.1U K 50V	C6830	304 091 2609	CERAMIC 0.1U K 50V
	303 367 0410	CERAMIC 0.1U K 50V		303 367 0410	CERAMIC 0.1U K 50V
	304 104 4903	CERAMIC 0.1U K 50V		304 104 4903	CERAMIC 0.1U K 50V
C6604	303 397 7618	CERAMIC 1U K 25V	C6831	304 091 2609	CERAMIC 0.1U K 50V
C6803	304 091 2609	CERAMIC 0.1U K 50V		303 367 0410	CERAMIC 0.1U K 50V
	303 367 0410	CERAMIC 0.1U K 50V		304 104 4903	CERAMIC 0.1U K 50V
	304 104 4903	CERAMIC 0.1U K 50V	C6832	304 091 2609	CERAMIC 0.1U K 50V
C6804	304 091 2609	CERAMIC 0.1U K 50V		303 367 0410	CERAMIC 0.1U K 50V
	303 367 0410	CERAMIC 0.1U K 50V		304 104 4903	CERAMIC 0.1U K 50V
	304 104 4903	CERAMIC 0.1U K 50V	C6850	303 113 4112	CERAMIC 2200P K 50V
C6805	303 394 3118	ELECT 100U M 10V		304 091 3309	CERAMIC 2200P K 50V
C6806	303 382 3212	ELECT 100U M 6.3V		304 104 5702	CERAMIC 2200P K 50V
C6807	304 091 2609	CERAMIC 0.1U K 50V	C6881	304 103 7608	CERAMIC 220P J 50V
	303 367 0410	CERAMIC 0.1U K 50V		303 157 4215	CERAMIC 220P J 50V
	304 104 4903	CERAMIC 0.1U K 50V		304 094 7700	CERAMIC 220P J 50V
C6808	304 091 2609	CERAMIC 0.1U K 50V	C6882	304 103 7608	CERAMIC 220P J 50V
	303 367 0410	CERAMIC 0.1U K 50V		303 157 4215	CERAMIC 220P J 50V
	304 104 4903	CERAMIC 0.1U K 50V		304 094 7700	CERAMIC 220P J 50V
C6809	304 091 2609	CERAMIC 0.1U K 50V	C6883	304 094 6505	CERAMIC 1000P J 50V
	303 367 0410	CERAMIC 0.1U K 50V		303 265 3216	CERAMIC 1000P J 50V
	304 104 4903	CERAMIC 0.1U K 50V		304 104 0301	CERAMIC 1000P J 50V
C6810	304 091 2609	CERAMIC 0.1U K 50V	C6884	303 397 7618	CERAMIC 1U K 25V
	303 367 0410	CERAMIC 0.1U K 50V	C6931	303 394 0711	ELECT 470U M 10V

Chassis Electrical Parts List

Key No.	Part No.	Description	Key No.	Part No.	Description
C6932	304 091 2609	CERAMIC 0.1U K 50V	C8521	304 091 4504	CERAMIC 0.047U K 50V
	303 367 0410	CERAMIC 0.1U K 50V		303 356 5112	CERAMIC 0.047U K 50V
	304 104 4903	CERAMIC 0.1U K 50V		304 104 6709	CERAMIC 0.047U K 50V
C7501	303 384 1414	ELECT 47U M 16V	C8522	304 091 4504	CERAMIC 0.047U K 50V
C7502	304 091 2609	CERAMIC 0.1U K 50V		303 356 5112	CERAMIC 0.047U K 50V
	303 367 0410	CERAMIC 0.1U K 50V		304 104 6709	CERAMIC 0.047U K 50V
	304 104 4903	CERAMIC 0.1U K 50V	C8523	304 091 4504	CERAMIC 0.047U K 50V
C8500	404 121 2903	CERAMIC 2.2U K 10V		303 356 5112	CERAMIC 0.047U K 50V
	303 382 7814	CERAMIC 2.2U K 10V		304 104 6709	CERAMIC 0.047U K 50V
C8501	404 121 2903	CERAMIC 2.2U K 10V	RESISTOR		
	303 382 7814	CERAMIC 2.2U K 10V	R001	301 162 3018	MT-GLAZE 22K JA 1/10W
C8502	404 121 2903	CERAMIC 2.2U K 10V	R002	301 264 2810	MT-GLAZE 1.2K FA 1/10W
	303 382 7814	CERAMIC 2.2U K 10V	R004	301 150 6014	MT-GLAZE 0.000 ZA 1/10W
C8503	304 091 4504	CERAMIC 0.047U K 50V	R006	301 162 3711	MT-GLAZE 4.7K JA 1/10W
	303 356 5112	CERAMIC 0.047U K 50V	R007	301 162 3711	MT-GLAZE 4.7K JA 1/10W
	304 104 6709	CERAMIC 0.047U K 50V	R008	301 150 6014	MT-GLAZE 0.000 ZA 1/10W
C8504	304 091 4504	CERAMIC 0.047U K 50V	R009	301 256 6314	MT-GLAZE 47K JA 1/10W
	303 356 5112	CERAMIC 0.047U K 50V	R010	301 256 6314	MT-GLAZE 47K JA 1/10W
	304 104 6709	CERAMIC 0.047U K 50V	R017	301 150 6014	MT-GLAZE 0.000 ZA 1/10W
C8505	404 121 2903	CERAMIC 2.2U K 10V	R018	301 150 5918	MT-GLAZE 10K JA 1/10W
	303 382 7814	CERAMIC 2.2U K 10V	R019	301 150 5918	MT-GLAZE 10K JA 1/10W
C8506	404 121 2903	CERAMIC 2.2U K 10V	R020	301 150 5918	MT-GLAZE 10K JA 1/10W
	303 382 7814	CERAMIC 2.2U K 10V	R021	301 150 5918	MT-GLAZE 10K JA 1/10W
C8507	404 121 2903	CERAMIC 2.2U K 10V	R022	301 255 6513	MT-GLAZE 100 JA 1/10W
	303 382 7814	CERAMIC 2.2U K 10V	R023	301 150 5819	MT-GLAZE 100K JA 1/10W
C8508	404 121 2903	CERAMIC 2.2U K 10V	R024	301 256 2613	MT-GLAZE 2.4K JA 1/10W
	303 382 7814	CERAMIC 2.2U K 10V	R025	301 162 3711	MT-GLAZE 4.7K JA 1/10W
C8509	304 091 4504	CERAMIC 0.047U K 50V	R026	301 162 4015	MT-GLAZE 560 JA 1/10W
	303 356 5112	CERAMIC 0.047U K 50V	R027	301 256 6314	MT-GLAZE 47K JA 1/10W
	304 104 6709	CERAMIC 0.047U K 50V	R028	301 255 6513	MT-GLAZE 100 JA 1/10W
C8510	304 091 4504	CERAMIC 0.047U K 50V	R029	301 150 5819	MT-GLAZE 100K JA 1/10W
	303 356 5112	CERAMIC 0.047U K 50V	R030	301 256 2613	MT-GLAZE 2.4K JA 1/10W
	304 104 6709	CERAMIC 0.047U K 50V	R031	301 162 3711	MT-GLAZE 4.7K JA 1/10W
C8511	304 091 4504	CERAMIC 0.047U K 50V	R032	301 162 4015	MT-GLAZE 560 JA 1/10W
	303 356 5112	CERAMIC 0.047U K 50V	R033	301 256 6314	MT-GLAZE 47K JA 1/10W
	304 104 6709	CERAMIC 0.047U K 50V	R044	301 150 5918	MT-GLAZE 10K JA 1/10W
C8512	304 091 4504	CERAMIC 0.047U K 50V	R046	301 265 1713	MT-GLAZE 4.7K FA 1/10W
	303 356 5112	CERAMIC 0.047U K 50V	R080	301 150 5918	MT-GLAZE 10K JA 1/10W
	304 104 6709	CERAMIC 0.047U K 50V	R081	301 150 5918	MT-GLAZE 10K JA 1/10W
C8513	304 094 6505	CERAMIC 1000P J 50V	R082	301 255 6513	MT-GLAZE 100 JA 1/10W
	303 265 3216	CERAMIC 1000P J 50V	R083	301 256 0411	MT-GLAZE 12K JA 1/10W
	304 104 0301	CERAMIC 1000P J 50V	R084	301 150 6014	MT-GLAZE 0.000 ZA 1/10W
C8514	404 121 2903	CERAMIC 2.2U K 10V	R085	301 256 3610	MT-GLAZE 15K JA 1/10W
	303 382 7814	CERAMIC 2.2U K 10V	R086	301 256 3610	MT-GLAZE 15K JA 1/10W
C8518	304 091 4504	CERAMIC 0.047U K 50V	R087	301 162 4114	MT-GLAZE 5.6K JA 1/10W
	303 356 5112	CERAMIC 0.047U K 50V	R088	301 256 0411	MT-GLAZE 12K JA 1/10W
	304 104 6709	CERAMIC 0.047U K 50V	R089	301 255 6513	MT-GLAZE 100 JA 1/10W
C8519	304 091 4504	CERAMIC 0.047U K 50V	R090	301 162 4114	MT-GLAZE 5.6K JA 1/10W
	303 356 5112	CERAMIC 0.047U K 50V	R3101	301 150 6014	MT-GLAZE 0.000 ZA 1/10W
	304 104 6709	CERAMIC 0.047U K 50V	R3221	301 150 6014	MT-GLAZE 0.000 ZA 1/10W
C8520	304 094 6505	CERAMIC 1000P J 50V	R3222	301 150 5918	MT-GLAZE 10K JA 1/10W
	303 265 3216	CERAMIC 1000P J 50V	R3223	301 150 5918	MT-GLAZE 10K JA 1/10W
	304 104 0301	CERAMIC 1000P J 50V	R3224	301 162 2417	MT-GLAZE 1.2K JA 1/10W

Chassis Electrical Parts List

Key No.	Part No.	Description	Key No.	Part No.	Description
R3225	301 162 2417	MT-GLAZE 1.2K JA 1/10W	R5754	301 150 6014	MT-GLAZE 0.000 ZA 1/10W
R3227	301 150 6014	MT-GLAZE 0.000 ZA 1/10W	R5755	301 162 3711	MT-GLAZE 4.7K JA 1/10W
R3228	301 150 5918	MT-GLAZE 10K JA 1/10W	R5756	301 162 3711	MT-GLAZE 4.7K JA 1/10W
R3229	301 150 5918	MT-GLAZE 10K JA 1/10W	R5801	301 255 6513	MT-GLAZE 100 JA 1/10W
R5501	301 256 6512	MT-GLAZE 68 JA 1/10W	R5802	301 255 6513	MT-GLAZE 100 JA 1/10W
R5508	301 150 6113	MT-GLAZE 2.2K JA 1/10W	R5803	301 150 6014	MT-GLAZE 0.000 ZA 1/10W
R5509	301 150 6113	MT-GLAZE 2.2K JA 1/10W	R5804	301 150 5918	MT-GLAZE 10K JA 1/10W
R5510	301 150 5918	MT-GLAZE 10K JA 1/10W	R5805	301 150 5918	MT-GLAZE 10K JA 1/10W
R5511	301 150 5918	MT-GLAZE 10K JA 1/10W	R5806	301 150 5918	MT-GLAZE 10K JA 1/10W
R5512	301 264 1813	MT-GLAZE 1K FA 1/10W	R5807	301 150 5918	MT-GLAZE 10K JA 1/10W
R5513	301 264 1813	MT-GLAZE 1K FA 1/10W	R5808	301 150 5918	MT-GLAZE 10K JA 1/10W
R5514	301 150 6113	MT-GLAZE 2.2K JA 1/10W	R5809	301 256 3610	MT-GLAZE 15K JA 1/10W
R5515	301 150 6113	MT-GLAZE 2.2K JA 1/10W	R5810	301 150 6212	MT-GLAZE 1K JA 1/10W
R5519	301 150 5918	MT-GLAZE 10K JA 1/10W	R5814	301 150 5918	MT-GLAZE 10K JA 1/10W
R5523	301 150 5918	MT-GLAZE 10K JA 1/10W	R5815	301 162 3711	MT-GLAZE 4.7K JA 1/10W
R5524	301 150 5918	MT-GLAZE 10K JA 1/10W	R5816	301 162 3711	MT-GLAZE 4.7K JA 1/10W
R5525	301 150 5918	MT-GLAZE 10K JA 1/10W	R5818	301 150 5918	MT-GLAZE 10K JA 1/10W
R5526	301 150 5918	MT-GLAZE 10K JA 1/10W	R5819	301 150 5918	MT-GLAZE 10K JA 1/10W
R5527	301 150 5918	MT-GLAZE 10K JA 1/10W	R5820	301 150 5918	MT-GLAZE 10K JA 1/10W
R5528	301 255 8715	MT-GLAZE 22 JA 1/10W	R5821	301 255 6513	MT-GLAZE 100 JA 1/10W
R5529	301 255 8715	MT-GLAZE 22 JA 1/10W	R5822	301 162 3711	MT-GLAZE 4.7K JA 1/10W
R5530	301 256 6512	MT-GLAZE 68 JA 1/10W	R5823	301 255 6513	MT-GLAZE 100 JA 1/10W
R5531	301 256 6512	MT-GLAZE 68 JA 1/10W	R5824	301 255 6513	MT-GLAZE 100 JA 1/10W
R5532	301 256 6512	MT-GLAZE 68 JA 1/10W	R6506	404 121 2903	CERAMIC 2.2U K 10V
R5533	301 256 6512	MT-GLAZE 68 JA 1/10W		303 382 7814	CERAMIC 2.2U K 10V
R5534	301 256 6512	MT-GLAZE 68 JA 1/10W	R6507	404 121 2903	CERAMIC 2.2U K 10V
R5535	301 256 6512	MT-GLAZE 68 JA 1/10W		303 382 7814	CERAMIC 2.2U K 10V
R5536	301 150 6014	MT-GLAZE 0.000 ZA 1/10W	R6512	301 256 6314	MT-GLAZE 47K JA 1/10W
R5537	301 150 5819	MT-GLAZE 100K JA 1/10W	R6514	301 150 6212	MT-GLAZE 1K JA 1/10W
R5538	301 150 5819	MT-GLAZE 100K JA 1/10W	R6515	301 256 6314	MT-GLAZE 47K JA 1/10W
R5539	301 150 5918	MT-GLAZE 10K JA 1/10W	R6521	301 150 5918	MT-GLAZE 10K JA 1/10W
R5540	301 256 6314	MT-GLAZE 47K JA 1/10W	R6522	301 150 5918	MT-GLAZE 10K JA 1/10W
R5541	301 255 6513	MT-GLAZE 100 JA 1/10W	R6523	301 150 6014	MT-GLAZE 0.000 ZA 1/10W
R5542	301 150 5918	MT-GLAZE 10K JA 1/10W	R6524	301 150 6014	MT-GLAZE 0.000 ZA 1/10W
R5543	301 150 6014	MT-GLAZE 0.000 ZA 1/10W	R6525	301 150 6014	MT-GLAZE 0.000 ZA 1/10W
R5550	301 150 6212	MT-GLAZE 1K JA 1/10W	R6526	301 150 6014	MT-GLAZE 0.000 ZA 1/10W
R5551	301 150 6212	MT-GLAZE 1K JA 1/10W	R6527	301 150 6014	MT-GLAZE 0.000 ZA 1/10W
R5552	301 150 5918	MT-GLAZE 10K JA 1/10W	R6528	301 150 6014	MT-GLAZE 0.000 ZA 1/10W
R5553	301 150 5918	MT-GLAZE 10K JA 1/10W	R6529	301 150 6014	MT-GLAZE 0.000 ZA 1/10W
R5554	301 256 0114	MT-GLAZE 8.2K JA 1/10W	R6530	301 150 6014	MT-GLAZE 0.000 ZA 1/10W
R5555	301 256 0114	MT-GLAZE 8.2K JA 1/10W	R6531	301 150 6212	MT-GLAZE 1K JA 1/10W
R5601	301 256 2712	MT-GLAZE 75 JA 1/10W	R6533	301 150 5918	MT-GLAZE 10K JA 1/10W
R5602	301 256 2712	MT-GLAZE 75 JA 1/10W	R6534	301 150 6212	MT-GLAZE 1K JA 1/10W
R5603	301 264 1813	MT-GLAZE 1K FA 1/10W	R6536	301 150 6014	MT-GLAZE 0.000 ZA 1/10W
R5604	301 264 1813	MT-GLAZE 1K FA 1/10W	R6537	301 150 6014	MT-GLAZE 0.000 ZA 1/10W
R5651	301 256 2712	MT-GLAZE 75 JA 1/10W	R6541	301 150 6212	MT-GLAZE 1K JA 1/10W
R5652	301 256 2712	MT-GLAZE 75 JA 1/10W	R6543	301 150 6212	MT-GLAZE 1K JA 1/10W
R5653	301 264 1813	MT-GLAZE 1K FA 1/10W	R6544	301 150 6014	MT-GLAZE 0.000 ZA 1/10W
R5654	301 264 1813	MT-GLAZE 1K FA 1/10W	R6545	301 150 6014	MT-GLAZE 0.000 ZA 1/10W
R5702	301 256 6017	MT-GLAZE 27K JA 1/10W	R6546	301 150 6014	MT-GLAZE 0.000 ZA 1/10W
R5751	301 162 3711	MT-GLAZE 4.7K JA 1/10W	R6547	301 150 5918	MT-GLAZE 10K JA 1/10W
R5752	301 162 3711	MT-GLAZE 4.7K JA 1/10W	R6548	301 150 6014	MT-GLAZE 0.000 ZA 1/10W
R5753	301 150 6014	MT-GLAZE 0.000 ZA 1/10W	R6549	301 150 6014	MT-GLAZE 0.000 ZA 1/10W

Chassis Electrical Parts List

Key No.	Part No.	Description	Key No.	Part No.	Description
R6550	301 150 6014	MT-GLAZE 0.000 ZA 1/10W	R8500	301 256 0718	MT-GLAZE 33 JA 1/10W
R6551	301 150 6014	MT-GLAZE 0.000 ZA 1/10W	R8501	301 256 0718	MT-GLAZE 33 JA 1/10W
R6552	301 150 6014	MT-GLAZE 0.000 ZA 1/10W	R8502	301 256 0718	MT-GLAZE 33 JA 1/10W
R6553	301 150 6014	MT-GLAZE 0.000 ZA 1/10W	R8503	301 256 0718	MT-GLAZE 33 JA 1/10W
R6554	301 150 6014	MT-GLAZE 0.000 ZA 1/10W	R8504	301 150 6014	MT-GLAZE 0.000 ZA 1/10W
R6555	301 150 5918	MT-GLAZE 10K JA 1/10W	R8505	301 256 0718	MT-GLAZE 33 JA 1/10W
R6556	301 150 5918	MT-GLAZE 10K JA 1/10W	R8506	301 256 0718	MT-GLAZE 33 JA 1/10W
R6561	301 150 5918	MT-GLAZE 10K JA 1/10W	R8507	301 256 0718	MT-GLAZE 33 JA 1/10W
R6590	301 150 6014	MT-GLAZE 0.000 ZA 1/10W	R8508	301 256 0718	MT-GLAZE 33 JA 1/10W
R6591	301 150 6014	MT-GLAZE 0.000 ZA 1/10W	R8509	301 255 6513	MT-GLAZE 100 JA 1/10W
R6592	301 150 6014	MT-GLAZE 0.000 ZA 1/10W	R8510	301 255 6513	MT-GLAZE 100 JA 1/10W
R6593	301 150 5918	MT-GLAZE 10K JA 1/10W	R8511	301 255 6513	MT-GLAZE 100 JA 1/10W
R6601	301 150 6014	MT-GLAZE 0.000 ZA 1/10W	R8512	301 255 6513	MT-GLAZE 100 JA 1/10W
R6602	301 150 6014	MT-GLAZE 0.000 ZA 1/10W	R8513	301 256 0718	MT-GLAZE 33 JA 1/10W
R6603	301 037 5017	MT-GLAZE 0.000 ZA 1/10W	R8514	301 256 0718	MT-GLAZE 33 JA 1/10W
R6604	301 150 5918	MT-GLAZE 10K JA 1/10W	R8515	301 256 0718	MT-GLAZE 33 JA 1/10W
R6607	301 150 5918	MT-GLAZE 10K JA 1/10W	R8516	301 150 6014	MT-GLAZE 0.000 ZA 1/10W
R6802	301 264 1912	MT-GLAZE 10K FA 1/10W	R8517	301 150 6014	MT-GLAZE 0.000 ZA 1/10W
R6803	301 264 1912	MT-GLAZE 10K FA 1/10W	R8518	301 150 6014	MT-GLAZE 0.000 ZA 1/10W
R6804	301 265 1713	MT-GLAZE 4.7K FA 1/10W	R8519	301 150 5918	MT-GLAZE 10K JA 1/10W
R6805	301 150 6014	MT-GLAZE 0.000 ZA 1/10W	R8520	301 150 5918	MT-GLAZE 10K JA 1/10W
R6806	301 150 5918	MT-GLAZE 10K JA 1/10W	RB5501	945 037 0824	R-NETWORK 22X4 1/16W
R6811	301 150 6014	MT-GLAZE 0.000 ZA 1/10W	RB5601	945 068 3252	R-NETWORK 75X4 1/16W
R6850	301 256 5911	MT-GLAZE 2.7K JA 1/10W	RB5602	945 037 0824	R-NETWORK 22X4 1/16W
R6851	301 150 6113	MT-GLAZE 2.2K JA 1/10W	RB5603	945 037 0824	R-NETWORK 22X4 1/16W
R6852	301 162 3711	MT-GLAZE 4.7K JA 1/10W	RB5604	945 037 0824	R-NETWORK 22X4 1/16W
R6853	301 256 6314	MT-GLAZE 47K JA 1/10W	RB5605	945 068 3252	R-NETWORK 75X4 1/16W
R6854	301 256 6314	MT-GLAZE 47K JA 1/10W	RB5606	945 037 0824	R-NETWORK 22X4 1/16W
R6855	301 150 5918	MT-GLAZE 10K JA 1/10W	RB5607	945 068 3252	R-NETWORK 75X4 1/16W
R6860	301 150 5918	MT-GLAZE 10K JA 1/10W	RB5608	945 037 0824	R-NETWORK 22X4 1/16W
R6863	301 162 3711	MT-GLAZE 4.7K JA 1/10W	RB5609	945 037 0824	R-NETWORK 22X4 1/16W
R6864	301 150 5918	MT-GLAZE 10K JA 1/10W	RB5610	945 068 3252	R-NETWORK 75X4 1/16W
R6865	301 150 5918	MT-GLAZE 10K JA 1/10W	RB5611	945 037 0824	R-NETWORK 22X4 1/16W
R6880	301 150 5918	MT-GLAZE 10K JA 1/10W	RB5612	945 037 0824	R-NETWORK 22X4 1/16W
R6881	301 150 5918	MT-GLAZE 10K JA 1/10W	RB5613	945 068 3252	R-NETWORK 75X4 1/16W
R6883	301 150 5918	MT-GLAZE 10K JA 1/10W	RB5651	945 068 3252	R-NETWORK 75X4 1/16W
R6884	301 150 6014	MT-GLAZE 0.000 ZA 1/10W	RB5652	945 068 3252	R-NETWORK 75X4 1/16W
R6888	301 150 6014	MT-GLAZE 0.000 ZA 1/10W	RB5653	945 068 3252	R-NETWORK 75X4 1/16W
R6889	301 150 5918	MT-GLAZE 10K JA 1/10W	RB5654	945 068 3252	R-NETWORK 75X4 1/16W
R6891	301 150 5918	MT-GLAZE 10K JA 1/10W	RB5655	945 068 3252	R-NETWORK 75X4 1/16W
R6892	301 150 5918	MT-GLAZE 10K JA 1/10W	RB5656	945 068 3252	R-NETWORK 75X4 1/16W
R6893	301 150 5918	MT-GLAZE 10K JA 1/10W	RB5657	945 037 0824	R-NETWORK 22X4 1/16W
R6894	301 150 6014	MT-GLAZE 0.000 ZA 1/10W	RB5658	945 037 0824	R-NETWORK 22X4 1/16W
R6897	301 150 5918	MT-GLAZE 10K JA 1/10W	RB5659	945 037 0824	R-NETWORK 22X4 1/16W
R6921	301 256 6314	MT-GLAZE 47K JA 1/10W	RB5660	945 037 0824	R-NETWORK 22X4 1/16W
R6922	301 256 6314	MT-GLAZE 47K JA 1/10W	RB5661	945 037 0824	R-NETWORK 22X4 1/16W
R6930	301 150 6014	MT-GLAZE 0.000 ZA 1/10W	RB5662	945 037 0824	R-NETWORK 22X4 1/16W
R6931	301 150 5918	MT-GLAZE 10K JA 1/10W	RB5663	945 037 0824	R-NETWORK 22X4 1/16W
R6932	301 256 6314	MT-GLAZE 47K JA 1/10W	RB6562	945 037 0817	R-NETWORK 0X4 1/16W
R7510	301 150 6014	MT-GLAZE 0.000 ZA 1/10W	RB6563	945 037 0817	R-NETWORK 0X4 1/16W
R7511	301 150 6014	MT-GLAZE 0.000 ZA 1/10W	COIL		
R7512	301 276 4710	MT-GLAZE 0.000 ZA 1/3W	L001	301 190 1413	MT-GLAZE 0.000 ZA 1/2W
R7513	301 276 4710	MT-GLAZE 0.000 ZA 1/3W	L002	645 104 4952	INDUCTOR,22U M

Chassis Electrical Parts List

Key No.	Part No.	Description	Key No.	Part No.	Description
L003	645 104 4952	INDUCTOR,22U M	X5501	652 003 3740	OSC,CRYSTAL 24.000MHZ
L004	645 104 4952	INDUCTOR,22U M	X5801	652 003 3757	OSC,CRYSTAL 25.400MHZ
L005	645 104 4952	INDUCTOR,22U M	XL5801	422 007 1703	SAW F D9504F5
L008	945 080 6828	INDUCTOR,3.3U M	XL5802	422 007 1802	SAW F D3502F5
L010	952 001 6997	INDUCTOR , 120 OHM	TRANSISTOR		
L5501	952 001 6997	INDUCTOR , 120 OHM	Q102	305 147 2218	TR 2SA1037AK-S-T146
L5502	952 001 6997	INDUCTOR , 120 OHM		405 220 3016	TR ISA1235AC1F
L5509	945 050 8333	IMPEDANCE,22 OHM P		305 134 5928	TR 2SA1037AK-T146-R
L5531	952 001 6997	INDUCTOR , 120 OHM		405 220 3115	TR ISA1235AC1E
L5801	952 001 6997	INDUCTOR , 120 OHM		305 173 9717	TR 2SA1235A1F
L5803	952 001 6997	INDUCTOR , 120 OHM		305 173 9618	TR 2SA1235A1E
L5804	952 001 6997	INDUCTOR , 120 OHM		406 021 4308	TR MMBTSA1235F
L5805	952 001 6997	INDUCTOR , 120 OHM	Q103	305 015 9724	TR 2SC2814-F4-TB
L5806	952 001 6997	INDUCTOR , 120 OHM	Q104	305 015 8727	TR 2SC2812-L6-TB
L5808	652 003 4402	INDUCTOR ,220NH		305 015 8925	TR 2SC2812-L7-TB
L5809	952 001 6997	INDUCTOR , 120 OHM		305 163 1615	TR 2SC2812N-L6-TB0
L6601	945 036 3895	INDUCTOR,220 OHM		305 173 9915	TR 2SC3928A1S
L6805	952 001 6997	INDUCTOR , 120 OHM		305 173 9816	TR 2SC3928A1R
L6806	945 036 3895	INDUCTOR,220 OHM		406 021 4407	TR MMBTSC3928R
L6807	645 098 0336	INDUCTOR,3.6U N	Q1250	305 015 8727	TR 2SC2812-L6-TB
L6808	945 036 3895	INDUCTOR,220 OHM		305 015 8925	TR 2SC2812-L7-TB
L6810	952 001 6997	INDUCTOR , 120 OHM		305 163 1615	TR 2SC2812N-L6-TB0
DIODE				305 173 9915	TR 2SC3928A1S
D5502	307 166 1111	DIODE 1SS356-TW11		305 173 9816	TR 2SC3928A1R
	408 062 7003	DIODE 1SS356WS		406 021 4407	TR MMBTSC3928R
D6512	301 253 3712	MT-GLAZE 0.000 ZA 1/4W	Q1251	305 015 8727	TR 2SC2812-L6-TB
D6862	408 062 7201	DIODE 1SS355		305 015 8925	TR 2SC2812-L7-TB
	307 163 0414	DIODE 1SS352-(TPH3)		305 163 1615	TR 2SC2812N-L6-TB0
	408 066 0000	DIODE L1SS355T1G		305 173 9915	TR 2SC3928A1S
D6863	408 062 7201	DIODE 1SS355		305 173 9816	TR 2SC3928A1R
	307 163 0414	DIODE 1SS352-(TPH3)		406 021 4407	TR MMBTSC3928R
	408 066 0000	DIODE L1SS355T1G	Q1252	305 015 8727	TR 2SC2812-L6-TB
MISCELLANEOUS				305 015 8925	TR 2SC2812-L7-TB
IC6931	406 022 1603	TR HAT1131R-EL-E		305 163 1615	TR 2SC2812N-L6-TB0
K6502	645 104 3016	SOCKET,IF(HDMI) 19P		305 173 9915	TR 2SC3928A1S
K6503	645 104 3016	SOCKET,IF(HDMI) 19P		305 173 9816	TR 2SC3928A1R
K6504	652 003 3917	SOCKET,HDMI 19P		406 021 4407	TR MMBTSC3928R
K6601	652 002 4540	SOCKET,USB 4P	Q1253	305 015 8727	TR 2SC2812-L6-TB
SC5551	945 076 3503	SURGE-ABSORBER		305 015 8925	TR 2SC2812-L7-TB
SC5552	945 076 3503	SURGE-ABSORBER		305 163 1615	TR 2SC2812N-L6-TB0
SC6511	945 076 3503	SURGE-ABSORBER		305 173 9915	TR 2SC3928A1S
SC6512	945 076 3503	SURGE-ABSORBER		305 173 9816	TR 2SC3928A1R
SC6513	945 076 3503	SURGE-ABSORBER		406 021 4407	TR MMBTSC3928R
SC6514	945 076 3503	SURGE-ABSORBER	Q1254	305 015 8727	TR 2SC2812-L6-TB
SC6515	945 076 3503	SURGE-ABSORBER		305 015 8925	TR 2SC2812-L7-TB
SC6521	945 076 3503	SURGE-ABSORBER		305 163 1615	TR 2SC2812N-L6-TB0
SC6522	945 076 3503	SURGE-ABSORBER		305 173 9915	TR 2SC3928A1S
SC6523	945 076 3503	SURGE-ABSORBER		305 173 9816	TR 2SC3928A1R
SC6524	945 076 3503	SURGE-ABSORBER		406 021 4407	TR MMBTSC3928R
SC6541	945 076 3503	SURGE-ABSORBER	INTEGRATED CIRCUIT		
SC6542	945 076 3503	SURGE-ABSORBER	IC6873	309 437 4715	IC L88M05TL-TL
SC6543	945 076 3503	SURGE-ABSORBER		309 370 8016	IC TA7805F
SC6544	945 076 3503	SURGE-ABSORBER			

Chassis Electrical Parts List

Key No.	Part No.	Description	Key No.	Part No.	Description
CAPACITOR					
C1002	303 256 5014	CERAMIC 560P J 50V	C161	304 103 2900	CERAMIC 0.01U K 50V
	304 103 7103	CERAMIC 560P J 50V		304 091 2609	CERAMIC 0.1U K 50V
	404 116 8507	CERAMIC 560P J 50V		303 367 0410	CERAMIC 0.1U K 50V
C1003	303 256 5014	CERAMIC 560P J 50V		304 104 4903	CERAMIC 0.1U K 50V
	304 103 7103	CERAMIC 560P J 50V	C3101	404 113 2706	ELECT 4.7U M 50V
	404 116 8507	CERAMIC 560P J 50V		304 097 3303	ELECT 4.7 U M 50V
C102	304 091 2609	CERAMIC 0.1U K 50V	C3202	404 112 5906	ELECT 470U M 10V
	303 367 0410	CERAMIC 0.1U K 50V		304 107 1909	ELECT 470U M 10V
	304 104 4903	CERAMIC 0.1U K 50V	C3205	404 112 5906	ELECT 470U M 10V
C1021	303 256 5014	CERAMIC 560P J 50V		304 107 1909	ELECT 470U M 10V
	304 103 7103	CERAMIC 560P J 50V	C6876	304 109 1105	ELECT 47U M 16V
	404 116 8507	CERAMIC 560P J 50V		304 096 8200	ELECT 47U M 16V
C1022	303 256 5014	CERAMIC 560P J 50V	C6877	304 091 2609	CERAMIC 0.1U K 50V
	304 103 7103	CERAMIC 560P J 50V		303 367 0410	CERAMIC 0.1U K 50V
	404 116 8507	CERAMIC 560P J 50V		304 104 4903	CERAMIC 0.1U K 50V
C103	304 094 6505	CERAMIC 1000P J 50V	C6878	404 112 7504	ELECT 47U M 10V
	303 265 3216	CERAMIC 1000P J 50V		304 107 1800	ELECT 47U M 10V
	304 104 0301	CERAMIC 1000P J 50V	C6879	304 091 2609	CERAMIC 0.1U K 50V
C104	304 091 2609	CERAMIC 0.1U K 50V		303 367 0410	CERAMIC 0.1U K 50V
	303 367 0410	CERAMIC 0.1U K 50V		304 104 4903	CERAMIC 0.1U K 50V
	304 104 4903	CERAMIC 0.1U K 50V	C6901	304 091 2609	CERAMIC 0.1U K 50V
C105	404 112 5906	ELECT 470U M 10V		303 367 0410	CERAMIC 0.1U K 50V
	304 107 1909	ELECT 470U M 10V		304 104 4903	CERAMIC 0.1U K 50V
C1061	304 109 0504	ELECT 10U M 16V	C6902	304 109 0108	ELECT 100U M 16V
	304 096 7906	ELECT 10U M 16V		304 097 1705	ELECT 100U M 16V
C1062	304 109 0504	ELECT 10U M 16V	C6903	304 091 2609	CERAMIC 0.1U K 50V
	304 096 7906	ELECT 10U M 16V		303 367 0410	CERAMIC 0.1U K 50V
C1250	304 108 9706	ELECT 470U M 16V		304 104 4903	CERAMIC 0.1U K 50V
	304 107 2005	ELECT 470U M 16V	C6904	304 109 0108	ELECT 100U M 16V
C1251	304 091 2609	CERAMIC 0.1U K 50V		304 097 1705	ELECT 100U M 16V
	303 367 0410	CERAMIC 0.1U K 50V	C6905	304 109 0108	ELECT 100U M 16V
	304 104 4903	CERAMIC 0.1U K 50V		304 097 1705	ELECT 100U M 16V
C1252	301 150 6014	MT-GLAZE 0.000 ZA 1/10W	C6906	304 091 2609	CERAMIC 0.1U K 50V
C1253	304 091 2609	CERAMIC 0.1U K 50V		303 367 0410	CERAMIC 0.1U K 50V
	303 367 0410	CERAMIC 0.1U K 50V		304 104 4903	CERAMIC 0.1U K 50V
	304 104 4903	CERAMIC 0.1U K 50V	C6912	304 091 2609	CERAMIC 0.1U K 50V
C1254	301 150 6014	MT-GLAZE 0.000 ZA 1/10W		303 367 0410	CERAMIC 0.1U K 50V
C1255	304 103 7004	CERAMIC 330P J 50V		304 104 4903	CERAMIC 0.1U K 50V
	304 094 8202	CERAMIC 330P J 50V	RESISTOR		
	303 169 2810	CERAMIC 330P J 50V	R1002	301 256 2712	MT-GLAZE 75 JA 1/10W
C1256	304 103 7004	CERAMIC 330P J 50V	R1004	301 256 0411	MT-GLAZE 12K JA 1/10W
	304 094 8202	CERAMIC 330P J 50V	R1006	301 150 5918	MT-GLAZE 10K JA 1/10W
	303 169 2810	CERAMIC 330P J 50V	R1007	301 256 0411	MT-GLAZE 12K JA 1/10W
C138	304 091 2609	CERAMIC 0.1U K 50V	R1008	301 150 5918	MT-GLAZE 10K JA 1/10W
	303 367 0410	CERAMIC 0.1U K 50V	R102	301 150 6212	MT-GLAZE 1K JA 1/10W
	304 104 4903	CERAMIC 0.1U K 50V	R1021	301 256 0411	MT-GLAZE 12K JA 1/10W
C154	403 455 1616	CERAMIC 10U K 16V	R1022	301 150 5918	MT-GLAZE 10K JA 1/10W
C155	304 103 2801	CERAMIC 0.047U K 25V	R1023	301 256 0411	MT-GLAZE 12K JA 1/10W
	304 095 3800	CERAMIC 0.047U K 25V	R1024	301 150 5918	MT-GLAZE 10K JA 1/10W
	303 205 2811	CERAMIC 0.047U K 25V	R1025	301 256 2712	MT-GLAZE 75 JA 1/10W
C158	303 215 2214	CERAMIC 0.01U K 50V	R1041	301 256 2712	MT-GLAZE 75 JA 1/10W
	304 090 1207	CERAMIC 0.01U K 50V	R1042	301 256 2712	MT-GLAZE 75 JA 1/10W
			R1061	301 150 5819	MT-GLAZE 100K JA 1/10W

Chassis Electrical Parts List

Key No.	Part No.	Description	Key No.	Part No.	Description
R1062	301 150 5819	MT-GLAZE 100K JA 1/10W	R3105	301 255 9019	MT-GLAZE 82 JA 1/10W
R108	301 162 3711	MT-GLAZE 4.7K JA 1/10W	R3106	301 256 2712	MT-GLAZE 75 JA 1/10W
R1081	301 256 2712	MT-GLAZE 75 JA 1/10W	R3201	301 150 6212	MT-GLAZE 1K JA 1/10W
R1082	301 256 2712	MT-GLAZE 75 JA 1/10W	R3203	301 150 6212	MT-GLAZE 1K JA 1/10W
R1083	301 256 2712	MT-GLAZE 75 JA 1/10W	R6872	301 225 5614	MT-GLAZE 2.2 JA 1W
R1084	301 150 5918	MT-GLAZE 10K JA 1/10W	COIL		
R1085	301 256 0411	MT-GLAZE 12K JA 1/10W	L100	952 001 6997	INDUCTOR , 120 OHM
R1086	301 150 5918	MT-GLAZE 10K JA 1/10W	L111	652 003 4396	INDUCTOR ,0.82UH
R1087	301 256 0411	MT-GLAZE 12K JA 1/10W	DIODE		
R109	301 162 3711	MT-GLAZE 4.7K JA 1/10W	D1501	307 208 9716	ZD UDZS-TE-175.6B
R114	301 150 5819	MT-GLAZE 100K JA 1/10W		408 062 9700	ZENER DIODE MM3Z5V6B
R115	301 150 5918	MT-GLAZE 10K JA 1/10W	D1502	307 208 9716	ZD UDZS-TE-175.6B
R117	301 150 5918	MT-GLAZE 10K JA 1/10W		408 062 9700	ZENER DIODE MM3Z5V6B
R118	301 150 6212	MT-GLAZE 1K JA 1/10W	D3221	307 221 7119	ZENER DIODE UDZS-TE-1712B
R1250	301 162 3711	MT-GLAZE 4.7K JA 1/10W		408 063 1802	ZENER DIODE MM3Z12B
R1251	301 162 3612	MT-GLAZE 470 JA 1/10W	D6807	408 062 7201	DIODE 1SS355
R1252	301 256 6314	MT-GLAZE 47K JA 1/10W		307 163 0414	DIODE 1SS352-(TPH3)
R1253	301 150 5918	MT-GLAZE 10K JA 1/10W		408 066 0000	DIODE L1SS355T1G
R1254	301 256 0114	MT-GLAZE 8.2K JA 1/10W	MISCELLANEOUS		
R1255	301 256 5614	MT-GLAZE 47 JA 1/10W	A102	645 104 2668	TUNER,U/V
R1256	301 162 3711	MT-GLAZE 4.7K JA 1/10W	J1012	301 150 6014	MT-GLAZE 0.000 ZA 1/10W
R1257	301 162 3612	MT-GLAZE 470 JA 1/10W	K1003	652 003 1432	SOCKET,DIN 4P
R1258	301 256 6314	MT-GLAZE 47K JA 1/10W	K1005	652 003 3658	JACK,RCA-5
R1259	301 150 5918	MT-GLAZE 10K JA 1/10W	K1501	652 002 9934	SOCKET,D-SUB 15P
R1260	301 256 0114	MT-GLAZE 8.2K JA 1/10W	K1502	652 002 9958	JACK,PHONE D3.6
R1261	301 256 5614	MT-GLAZE 47 JA 1/10W	K3101	652 003 3665	JACK,RCA-1
R1262	301 150 5918	MT-GLAZE 10K JA 1/10W	K3201	652 003 4082	JACK,PHONE D3.6
R1263	301 150 6212	MT-GLAZE 1K JA 1/10W	SC1081	945 076 3503	SURGE-ABSORBER
R1264	301 150 5918	MT-GLAZE 10K JA 1/10W	SC1082	945 076 3503	SURGE-ABSORBER
R1265	301 150 6212	MT-GLAZE 1K JA 1/10W	SC1083	945 076 3503	SURGE-ABSORBER
R1266	301 150 5918	MT-GLAZE 10K JA 1/10W	SC1084	945 076 3503	SURGE-ABSORBER
R143	301 146 5212	MT-GLAZE 150 JA 1/4W	SC1085	945 076 3503	SURGE-ABSORBER
R144	301 162 3711	MT-GLAZE 4.7K JA 1/10W	TRANSISTOR		
R145	301 150 6212	MT-GLAZE 1K JA 1/10W	Q1603	305 147 2218	TR 2SA1037AK-S-T146
R146	301 256 0718	MT-GLAZE 33 JA 1/10W		405 220 3016	TR ISA1235AC1F
R147	301 256 2910	MT-GLAZE 150 JA 1/10W		305 134 5928	TR 2SA1037AK-T146-R
R148	301 256 6918	MT-GLAZE 680 JA 1/10W		405 220 3115	TR ISA1235AC1E
R149	301 256 2811	MT-GLAZE 15 JA 1/10W		305 173 9717	TR 2SA1235A1F
R1501	301 255 6513	MT-GLAZE 100 JA 1/10W		305 173 9618	TR 2SA1235A1E
R1502	301 255 6513	MT-GLAZE 100 JA 1/10W		406 021 4308	TR MMBTSA1235F
R1503	301 256 2712	MT-GLAZE 75 JA 1/10W	Q1604	305 015 8727	TR 2SC2812-L6-TB
R1504	301 256 2712	MT-GLAZE 75 JA 1/10W		305 015 8925	TR 2SC2812-L7-TB
R1505	301 256 2712	MT-GLAZE 75 JA 1/10W		305 163 1615	TR 2SC2812N-L6-TB0
R1506	301 150 5918	MT-GLAZE 10K JA 1/10W		305 173 9915	TR 2SC3928A1S
R1507	301 150 5918	MT-GLAZE 10K JA 1/10W		305 173 9816	TR 2SC3928A1R
R1521	301 256 0411	MT-GLAZE 12K JA 1/10W		406 021 4407	TR MMBTSC3928R
R1522	301 150 5918	MT-GLAZE 10K JA 1/10W	Q1605	305 147 2218	TR 2SA1037AK-S-T146
R1523	301 150 5918	MT-GLAZE 10K JA 1/10W		405 220 3016	TR ISA1235AC1F
R1524	301 256 0411	MT-GLAZE 12K JA 1/10W		305 134 5928	TR 2SA1037AK-T146-R
R156	301 150 6014	MT-GLAZE 0.000 ZA 1/10W		405 220 3115	TR ISA1235AC1E
R158	301 255 6513	MT-GLAZE 100 JA 1/10W		305 173 9717	TR 2SA1235A1F
R159	301 255 6513	MT-GLAZE 100 JA 1/10W		305 173 9618	TR 2SA1235A1E
R3104	301 255 9019	MT-GLAZE 82 JA 1/10W		406 021 4308	TR MMBTSA1235F

Chassis Electrical Parts List

Key No.	Part No.	Description	Key No.	Part No.	Description
Q1606	305 147 2218	TR 2SA1037AK-S-T146	C1634	404 115 6504	CERAMIC 470P K 1K
	405 220 3016	TR ISA1235AC1F		303 269 1822	CERAMIC 470P K 1K
	305 134 5928	TR 2SA1037AK-T146-R	C1635	304 106 4109	ELECT 1000U M 25V
	405 220 3115	TR ISA1235AC1E	C1636	304 106 4109	ELECT 1000U M 25V
	305 173 9717	TR 2SA1235A1F	C1637	304 090 1207	CERAMIC 0.01U K 50V
	305 173 9618	TR 2SA1235A1E		304 103 2900	CERAMIC 0.01U K 50V
	406 021 4308	TR MMBTSA1235F	C1638	304 106 4109	ELECT 1000U M 25V
Q1607	305 015 8727	TR 2SC2812-L6-TB	C1639	303 370 1510	CERAMIC 0.1U K 50V
	305 015 8925	TR 2SC2812-L7-TB		304 091 2609	CERAMIC 0.1U K 50V
	305 163 1615	TR 2SC2812N-L6-TB0	C1640	303 370 1510	CERAMIC 0.1U K 50V
	305 173 9915	TR 2SC3928A1S		304 091 2609	CERAMIC 0.1U K 50V
	305 173 9816	TR 2SC3928A1R	C1641	304 106 4109	ELECT 1000U M 25V
	406 021 4407	TR MMBTSC3928R	C1642	304 090 1207	CERAMIC 0.01U K 50V
Q1608	305 015 8727	TR 2SC2812-L6-TB		304 103 2900	CERAMIC 0.01U K 50V
	305 015 8925	TR 2SC2812-L7-TB	C1643	404 115 6504	CERAMIC 470P K 1K
	305 163 1615	TR 2SC2812N-L6-TB0		303 269 1822	CERAMIC 470P K 1K
	305 173 9915	TR 2SC3928A1S	C1644	304 106 4000	ELECT 1000U M 16V
	305 173 9816	TR 2SC3928A1R	C1645	304 106 4000	ELECT 1000U M 16V
	406 021 4407	TR MMBTSC3928R	C1646	303 370 1510	CERAMIC 0.1U K 50V
Q601	405 221 8802	TR STF13NK50Z		304 091 2609	CERAMIC 0.1U K 50V
Q602	405 221 8802	TR STF13NK50Z	C1647	304 106 4000	ELECT 1000U M 16V
Q603	405 223 7407	TR STP7NK80ZFP	C1648	303 370 1510	CERAMIC 0.1U K 50V
Q604	405 221 8802	TR STF13NK50Z		304 091 2609	CERAMIC 0.1U K 50V
Q605	305 018 0619	TR 2SC3332-S-AA	C1649	303 370 1510	CERAMIC 0.1U K 50V
				304 091 2609	CERAMIC 0.1U K 50V
			C1650	303 370 1510	CERAMIC 0.1U K 50V
				304 091 2609	CERAMIC 0.1U K 50V
			C1653	303 370 1510	CERAMIC 0.1U K 50V
				304 091 2609	CERAMIC 0.1U K 50V
			C1654	303 224 5718	CERAMIC 1000P K 50V
				304 090 1108	CERAMIC 1000P K 50V
			△C601	304 088 8805	MT-POLYEST 0.22U M 275V
INTEGRATED CIRCUIT			C601H1	655 001 8410	EYELET
IC1601	409 691 5210	IC TL431ATA	C601H2	655 001 8410	EYELET
IC1603	409 691 0106	IC KIA378R12PI	△C604	304 088 8805	MT-POLYEST 0.22U M 275V
IC1604	409 691 5210	IC TL431ATA	C604H1	655 001 8410	EYELET
IC601	409 686 7618	IC L6599DTR	C604H2	655 001 8410	EYELET
IC602	409 696 5710	IC L6562ADTR	△C608	304 073 5109	CERAMIC 470P K 250V
IC603	409 691 0512	IC FAN7602M		404 114 4303	CERAMIC 470P K 400V
			△C610	304 073 5109	CERAMIC 470P K 250V
				404 114 4303	CERAMIC 470P K 400V
CAPACITOR			C611	303 260 1623	MT-POLYEST 1U J 400V
C1601	303 281 2415	CERAMIC 0.22U K 16V	C611H1	655 001 8410	EYELET
	303 364 5913	CERAMIC 0.22U K 16V	C611H2	655 001 8410	EYELET
C1604	404 115 6504	CERAMIC 470P K 1K	C612	303 371 8617	MT-POLYEST 0.1U K 450V
	303 269 1822	CERAMIC 470P K 1K		303 427 1814	MT-POLYEST 0.1U K 450V
C1605	404 115 6504	CERAMIC 470P K 1K	C613	404 121 6000	ELECT 150U M 450V
	303 269 1822	CERAMIC 470P K 1K	C613H1	655 001 8403	EYELET
C1606	304 106 3508	ELECT 1000U M 35V	C613H2	655 001 8403	EYELET
C1607	303 370 1510	CERAMIC 0.1U K 50V	C616	303 370 1510	CERAMIC 0.1U K 50V
	304 091 2609	CERAMIC 0.1U K 50V		304 091 2609	CERAMIC 0.1U K 50V
C1608	304 106 3508	ELECT 1000U M 35V	C617	404 128 3804	ELECT 10U M 25V
C1610	304 106 3508	ELECT 1000U M 35V	C619	303 245 4407	CERAMIC 470P K 2K
C1620	404 115 6504	CERAMIC 470P K 1K			
	303 269 1822	CERAMIC 470P K 1K			
C1621	404 115 6504	CERAMIC 470P K 1K			
	303 269 1822	CERAMIC 470P K 1K			
C1622	304 106 3508	ELECT 1000U M 35V			
C1623	304 106 3508	ELECT 1000U M 35V			
C1624	304 106 3508	ELECT 1000U M 35V			
C1625	303 370 1510	CERAMIC 0.1U K 50V			
	304 091 2609	CERAMIC 0.1U K 50V			
C1626	304 106 3508	ELECT 1000U M 35V			

Chassis Electrical Parts List

Key No.	Part No.	Description	Key No.	Part No.	Description
C620	304 091 3408	CERAMIC 0.22U K 50V	R1619	301 150 6113	MT-GLAZE 2.2K JA 1/10W
C621	303 323 8818	CERAMIC 2.2U Z 16V	R1622	301 162 3612	MT-GLAZE 470 JA 1/10W
C622	304 094 8707	CERAMIC 470P J 50V	R1624	301 162 3018	MT-GLAZE 22K JA 1/10W
C623	304 090 1207	CERAMIC 0.01U K 50V	R1625	301 162 3711	MT-GLAZE 4.7K JA 1/10W
	304 103 2900	CERAMIC 0.01U K 50V	R1627	301 150 6212	MT-GLAZE 1K JA 1/10W
C625	404 122 8607	MT-POLYEST 1.0U K 250V	R1628	301 150 6212	MT-GLAZE 1K JA 1/10W
C626	303 371 8617	MT-POLYEST 0.1U K 450V	R1630	301 150 6113	MT-GLAZE 2.2K JA 1/10W
	303 427 1814	MT-POLYEST 0.1U K 450V	R1631	301 265 5711	MT-GLAZE 8.2K FA 1/10W
C627	404 115 7204	ELECT 47U M 35V	R1632	301 264 3718	MT-GLAZE 1.5K FA 1/10W
C628	303 370 1510	CERAMIC 0.1U K 50V	R1633	301 264 1912	MT-GLAZE 10K FA 1/10W
	304 091 2609	CERAMIC 0.1U K 50V	R1634	301 162 3612	MT-GLAZE 470 JA 1/10W
C629	304 091 3408	CERAMIC 0.22U K 50V	R1635	301 256 6017	MT-GLAZE 27K JA 1/10W
C630	304 091 4306	CERAMIC 470P K 50V	R1636	301 188 2316	MT-GLAZE 4.7K JA 1/4W
	304 104 6501	CERAMIC 470P K 50V	R1637	301 162 3018	MT-GLAZE 22K JA 1/10W
C631	304 090 1306	CERAMIC 1500P K 50V	R1638	301 103 5613	MT-GLAZE 10K JA 1/4W
	304 104 5207	CERAMIC 1500P K 50V	R1639	301 146 5113	MT-GLAZE 1K JA 1/4W
C632	304 091 3408	CERAMIC 0.22U K 50V	R1640	301 150 5918	MT-GLAZE 10K JA 1/10W
C633	304 090 1108	CERAMIC 1000P K 50V	R1641	301 162 4114	MT-GLAZE 5.6K JA 1/10W
	304 103 2405	CERAMIC 1000P K 50V	R1642	301 256 6017	MT-GLAZE 27K JA 1/10W
C634	303 323 8818	CERAMIC 2.2U Z 16V	R1643	301 150 6113	MT-GLAZE 2.2K JA 1/10W
C635	303 245 4407	CERAMIC 470P K 2K	R1645	301 150 6212	MT-GLAZE 1K JA 1/10W
C636	403 481 8016	MT-POLYPRO 0.047U J 630V	R1646	301 150 6212	MT-GLAZE 1K JA 1/10W
C637	303 271 9625	CERAMIC 1000P K 1K	R1647	301 150 6014	MT-GLAZE 0.000 ZA 1/10W
C639	403 256 4826	MT-COMPO 0.1U J 100V	R1648	301 264 1813	MT-GLAZE 1K FA 1/10W
C640	304 091 3408	CERAMIC 0.22U K 50V	R1649	301 258 2611	MT-GLAZE 150 FA 1/10W
C642	303 370 1510	CERAMIC 0.1U K 50V	R1652	301 188 2316	MT-GLAZE 4.7K JA 1/4W
	304 091 2609	CERAMIC 0.1U K 50V	△R601	408 070 7309	THERMISTOR NTPAD5R1LDUB0
C643	304 117 4600	ELECT 47U M 25V	R601H1	655 001 8410	EYELET
C650	304 090 1207	CERAMIC 0.01U K 50V	R601H2	655 001 8410	EYELET
	304 103 2900	CERAMIC 0.01U K 50V	△R602	402 123 3201	SOLID CRE 10MKA
C652	304 117 4600	ELECT 47U M 25V		402 123 3409	SOLID CRE 15MKA
C653	304 090 1108	CERAMIC 1000P K 50V	△R603	402 123 3201	SOLID CRE 10MKA
	304 103 2405	CERAMIC 1000P K 50V		402 123 3409	SOLID CRE 15MKA
C654	303 370 1510	CERAMIC 0.1U K 50V	R609	301 150 5819	MT-GLAZE 100K JA 1/10W
	304 091 2609	CERAMIC 0.1U K 50V	R610	301 187 9217	MT-GLAZE 10 JA 1/4W
C655	304 108 1106	ELECT 100U M 50V	R611	301 187 9217	MT-GLAZE 10 JA 1/4W
C656	303 370 1510	CERAMIC 0.1U K 50V	R612	301 150 5918	MT-GLAZE 10K JA 1/10W
	304 091 2609	CERAMIC 0.1U K 50V	R613	301 150 6212	MT-GLAZE 1K JA 1/10W
△C661	304 073 4409	CERAMIC 220P K 250V	R614	302 105 8609	OXIDE-MT 0.22JB 2W
	404 117 1804	CERAMIC 220P K 400V	R615	302 105 8609	OXIDE-MT 0.22JB 2W
△C662	304 073 4409	CERAMIC 220P K 250V	R616	401 360 5316	MT-GLAZE 750K FA 1/4W
	404 117 1804	CERAMIC 220P K 400V	R617	301 008 9013	CARBON 2.2M JA 1/2W
C663	403 480 2510	CERAMIC 22P J 2K	R618	401 360 5316	MT-GLAZE 750K FA 1/4W
RESISTOR			R619	301 265 0310	MT-GLAZE 3.9K FA 1/10W
R1601	301 188 2316	MT-GLAZE 4.7K JA 1/4W	R620	301 187 9316	MT-GLAZE 100 JA 1/4W
R1602	301 150 6113	MT-GLAZE 2.2K JA 1/10W	R621	301 256 3610	MT-GLAZE 15K JA 1/10W
R1603	301 150 6212	MT-GLAZE 1K JA 1/10W	R622	301 254 3018	MT-GLAZE 33K JA 1/4W
R1604	301 256 5614	MT-GLAZE 47 JA 1/10W	R623	301 187 9514	MT-GLAZE 1M JA 1/4W
R1605	301 264 1912	MT-GLAZE 10K FA 1/10W	R624	301 187 9514	MT-GLAZE 1M JA 1/4W
R1606	301 188 2316	MT-GLAZE 4.7K JA 1/4W	R625	301 255 2713	MT-GLAZE 3.9M JA 1/4W
R1607	302 106 0206	OXIDE-MT 1.2KJB 1W	R626	301 255 2713	MT-GLAZE 3.9M JA 1/4W
R1617	402 121 3302	OXIDE-MT 0.47JB 2W	R627	301 256 3511	MT-GLAZE 150K JA 1/10W
R1618	301 256 6017	MT-GLAZE 27K JA 1/10W	R628	301 256 3610	MT-GLAZE 15K JA 1/10W

Chassis Electrical Parts List

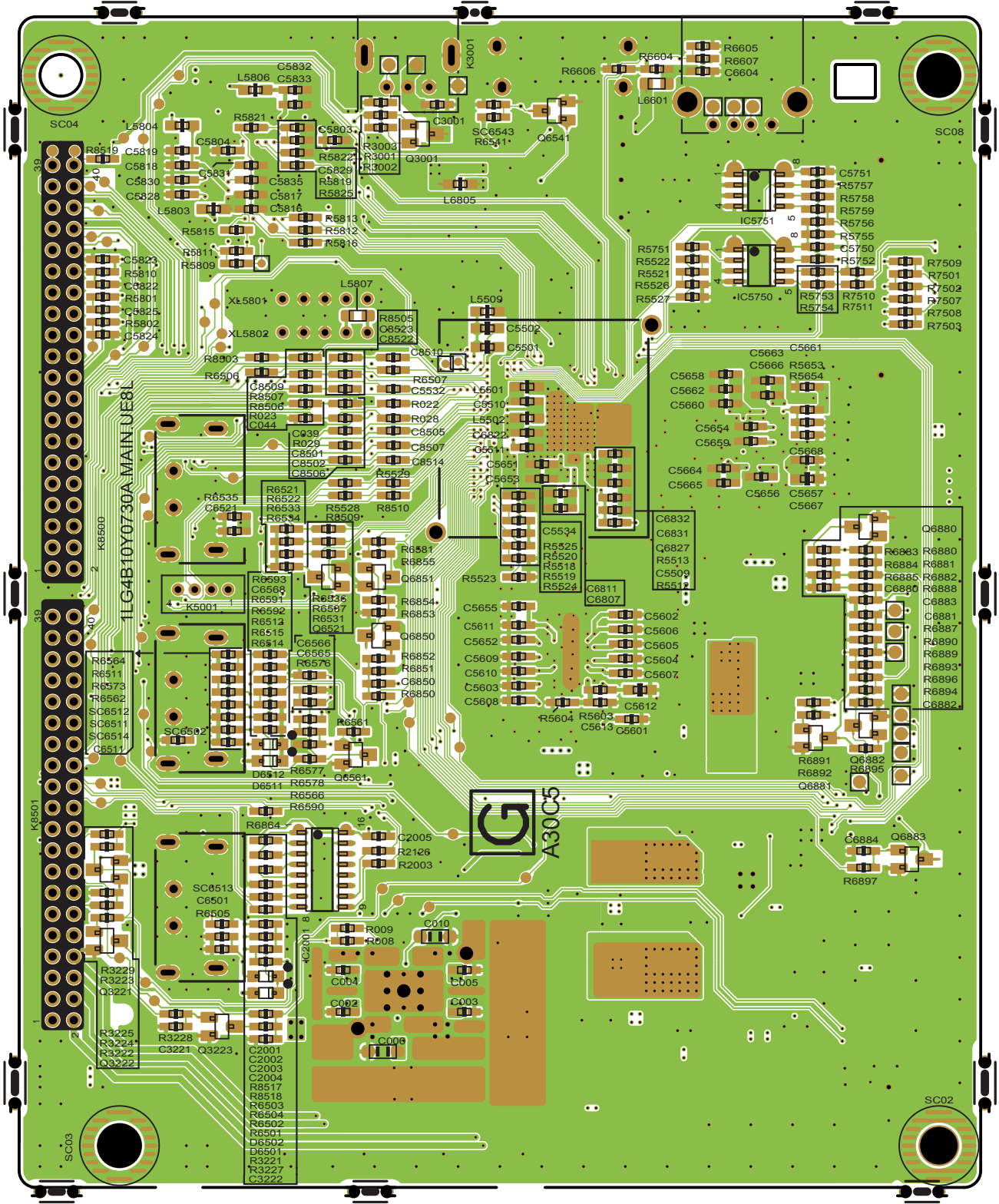
Key No.	Part No.	Description	Key No.	Part No.	Description
R629	301 256 5317	MT-GLAZE 56K JA 1/10W	T602H10	655 001 8410	EYELET
R630	301 255 9217	MT-GLAZE 6.2K JA 1/10W	T602H12	655 001 8410	EYELET
R631	301 188 0510	MT-GLAZE 2.2K JA 1/4W	T602H4	655 001 8410	EYELET
R632	301 162 4114	MT-GLAZE 5.6K JA 1/10W	COIL		
R634	301 188 2019	MT-GLAZE 4.7 JA 1/4W	L1601	652 003 0992	INDUCTOR,1.0UH
R635	302 106 0909	OXIDE-MT 1.0JB 1W	L1603	652 002 9569	CORE,PIPE
R636	402 122 1208	OXIDE-MT 0.39JB 1W		952 000 1818	CORE,PIPE
R637	301 150 6212	MT-GLAZE 1K JA 1/10W	△L601	652 003 4020	LINE FILTER
R638	301 187 9217	MT-GLAZE 10 JA 1/4W	L601H1	655 001 8410	EYELET
R639	301 188 2613	MT-GLAZE 56 JA 1/4W	L601H2	655 001 8410	EYELET
R640	301 150 5918	MT-GLAZE 10K JA 1/10W	L601H3	655 001 8410	EYELET
R641	301 188 2019	MT-GLAZE 4.7 JA 1/4W	L601H4	655 001 8410	EYELET
R642	402 122 1109	OXIDE-MT 68KJB 2W	△L603	652 003 4013	LINE FILTER
R643	301 188 2811	MT-GLAZE 56K JA 1/4W		652 003 1012	LINE FILTER
R644	301 188 2811	MT-GLAZE 56K JA 1/4W	L603H1	655 001 8410	EYELET
R645	301 255 2713	MT-GLAZE 3.9M JA 1/4W	L603H2	655 001 8410	EYELET
R646	301 255 2713	MT-GLAZE 3.9M JA 1/4W	L603H3	655 001 8410	EYELET
R647	301 150 5918	MT-GLAZE 10K JA 1/10W	L603H4	655 001 8410	EYELET
R648	301 256 6314	MT-GLAZE 47K JA 1/10W	△L604	652 003 4044	INDUCTOR ,220UH
R649	301 187 9217	MT-GLAZE 10 JA 1/4W		652 003 1586	INDUCTOR ,220UH
R650	301 187 9217	MT-GLAZE 10 JA 1/4W	L604H1	655 001 8410	EYELET
R651	301 256 6314	MT-GLAZE 47K JA 1/10W	L604H10	655 001 8410	EYELET
R652	301 187 9217	MT-GLAZE 10 JA 1/4W	L604H9	655 001 8410	EYELET
R653	301 256 6215	MT-GLAZE 270 JA 1/10W	L605	952 001 0131	CORE,PIPE
R654	301 265 3113	MT-GLAZE 5.6K FA 1/10W	L605H1	655 001 8410	EYELET
R655	301 187 9217	MT-GLAZE 10 JA 1/4W	L605H2	655 001 8410	EYELET
R656	301 162 2714	MT-GLAZE 180 JA 1/10W	L616	652 002 9569	CORE,PIPE
R657	301 188 2019	MT-GLAZE 4.7 JA 1/4W		952 000 1818	CORE,PIPE
R657A	302 105 8500	OXIDE-MT 12KJB 1W	DIODE		
R658	301 264 9314	MT-GLAZE 3.3K FA 1/10W	D1601	408 069 5705	DIODE STPS10LCD100C
R659	301 264 3817	MT-GLAZE 15K FA 1/10W	D1604	408 069 5804	DIODE STPS20LCD100C
R660	301 256 1418	MT-GLAZE 330K JA 1/10W	D1609	408 069 5705	DIODE STPS10LCD100C
R661	402 121 0004	OXIDE-MT 0.47JB 1W	D1610	408 069 5606	DIODE STPS10LCD60C
R662	301 150 5918	MT-GLAZE 10K JA 1/10W	D1613	307 226 4717	DIODE BAS316,115
R663	301 255 5813	MT-GLAZE 2K JA 1/10W	D1614	307 231 2210	ZENER DIODE UDZS13B-TE-17
R664	301 008 9013	CARBON 2.2M JA 1/2W	D1615	307 226 4717	DIODE BAS316,115
R665	301 188 2217	MT-GLAZE 470 JA 1/4W	D1616	307 226 4717	DIODE BAS316,115
R666	301 188 2217	MT-GLAZE 470 JA 1/4W	D1617	307 221 9618	ZENER DIODE UDZS27B-TE-17
R667	301 255 6513	MT-GLAZE 100 JA 1/10W	D1619	307 226 4717	DIODE BAS316,115
R669	301 150 5819	MT-GLAZE 100K JA 1/10W	D603	408 069 6207	DIODE D4SB80
R670	301 150 5819	MT-GLAZE 100K JA 1/10W	D603H1	655 001 8410	EYELET
R671	301 150 5819	MT-GLAZE 100K JA 1/10W	D603H2	655 001 8410	EYELET
VARIABLE RESISTOR			D603H3	655 001 8410	EYELET
△VA602	307 255 1401	VARISTOR S14K385E2	D603H4	655 001 8410	EYELET
	307 262 0602	VARISTOR MYG3-14K385	D604	307 218 7610	ZENER DIODE UDZS18B-TE-17
TRANSFORMER			D605	307 226 4717	DIODE BAS316,115
△T601	652 003 1043	TRANS,POWER,PULSE	D606	307 253 7405	DIODE FMXA-1106S
	652 003 4068	TRANS,POWER,PULSE	D606H1	655 001 8410	EYELET
T601H10	655 001 8410	EYELET	D612	307 226 4717	DIODE BAS316,115
T601H16	655 001 8410	EYELET	D613	307 218 7511	ZENER DIODE UDZS16B-TE-17
T601H3	655 001 8410	EYELET	D614	307 099 7320	ZENER DIODE MTZJ-T-7216B
T601H7	655 001 8410	EYELET	△D615	307 234 8704	PHOTO COUPLE PC123X5YFZ0F
△T602	652 003 1036	TRANS,POWER,PULSE		407 262 6700	PHOTO COUPLE BPC-817MC

Chassis Electrical Parts List

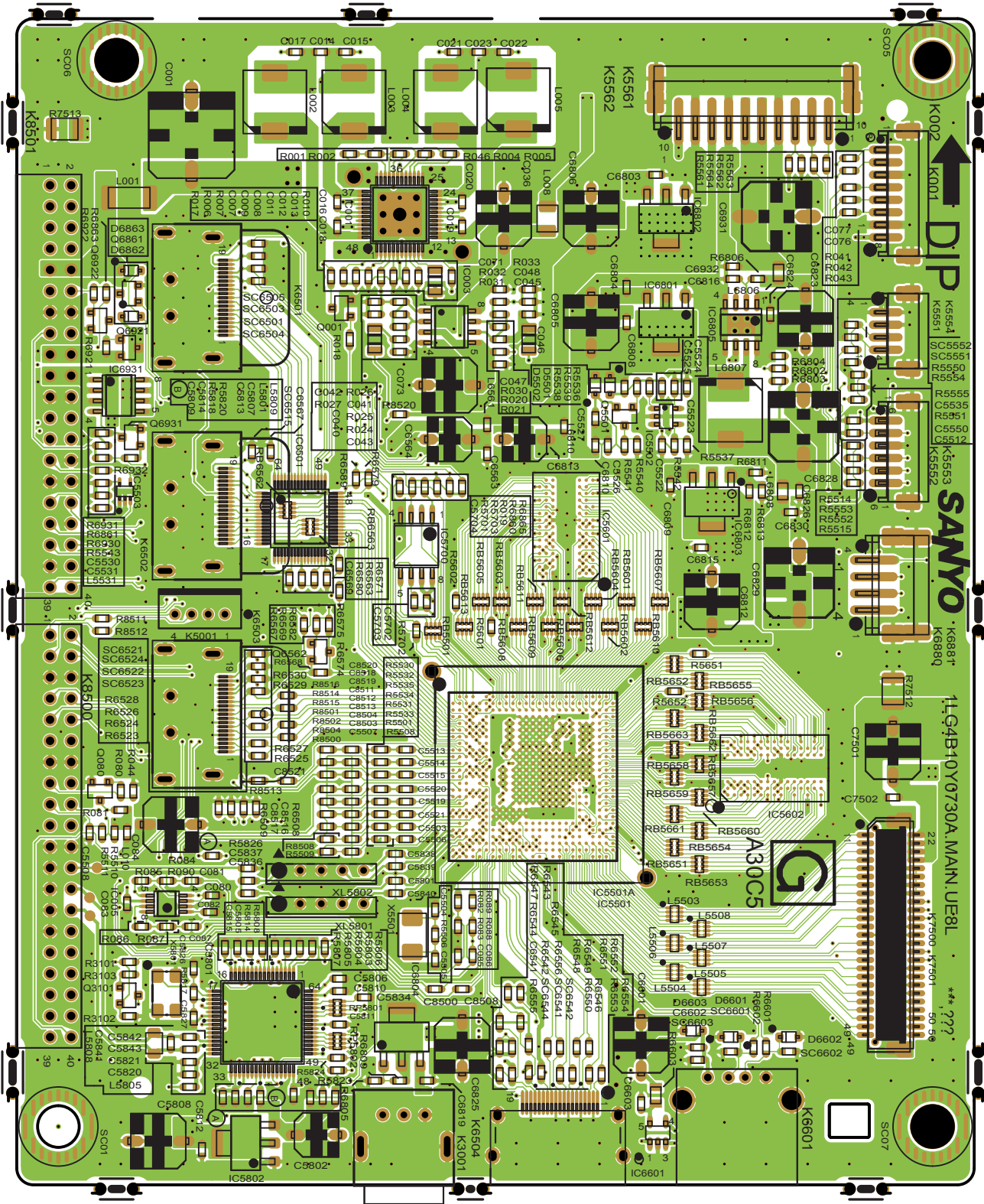
Key No.	Part No.	Description	Key No.	Part No.	Description
	307 230 3901	PHOTO COUPLE PC123Y52J00F	PACKING MATERIALS DIRECTORY		
⚠ D616	307 234 8704	PHOTO COUPLE PC123X5YFZ0F		610 353 8556	CARTON CASE-Z5HV (For Z5HV/Z5HVA)
	407 262 6700	PHOTO COUPLE BPC-817MC		610 353 5364	CARTON CASE-Z5HW (For Z5HW/Z5HWA)
	307 230 3901	PHOTO COUPLE PC123Y52J00F		610 354 2133	BAG A-Z5HW
D617	408 065 7802	DIODE EU1		610 354 2140	BAG B-Z5HW
D618	408 065 7802	DIODE EU1		610 353 5357	CUSHION BTM-Z5HW
D619	307 226 4717	DIODE BAS316,115		610 353 5371	CUSHION TOP-Z5HW
D620	307 221 9618	ZENER DIODE UDZS27B-TE-17	ACCESSORIES		
D621	408 065 3408	DIODE EG01C		610 352 8281	BAG MANUAL-N9AB
D630	307 226 4717	DIODE BAS316,115		610 352 8564	POLY BAG-IFVF
D631	307 226 4717	DIODE BAS316,115		652 003 3597	REMOCON,JXPYS
D638	307 231 2210	ZENER DIODE UDZS13B-TE-17	*03*	610 339 8365	RC-BATTERY LID-JXPYC
⚠ D650	307 234 8704	PHOTO COUPLE PC123X5YFZ0F		655 004 2200	INSTRUCTIONS MANUAL-Z5HW
	407 262 6700	PHOTO COUPLE BPC-817MC		411 189 9508	SCR PAN+SW+W 6X18
	307 230 3901	PHOTO COUPLE PC123Y52J00F	SCREWS-CABINET-Z5HW		
D652	307 226 4717	DIODE BAS316,115		411 192 6303	SCR S-TPG BRZ+FLG 3.0X10.0 V
MISCELLANEOUS				411 102 2203	SCR BIN 4X8
⚠ F602	424 007 2308	FUSE 250V 5A		411 195 0605	SCR TPG FLT 4X8
JA502	301 150 6014	MT-GLAZE 0.000 ZA 1/10W		411 208 0608	SCR TPG BRZ 3X10
JA503	301 150 6014	MT-GLAZE 0.000 ZA 1/10W		411 206 3502	SCR TPG BRZ 4X14
JB607	301 150 6014	MT-GLAZE 0.000 ZA 1/10W	SCREWS -CHASSIS-Z5HW		
JP1602	301 150 6014	MT-GLAZE 0.000 ZA 1/10W		411 208 0608	SCR TPG BRZ 3X10
JP1609	301 150 6014	MT-GLAZE 0.000 ZA 1/10W		411 192 6303	SCR S-TPG BRZ+FLG 3.0X10.0 V
JP1611	301 150 6014	MT-GLAZE 0.000 ZA 1/10W		411 036 5509	SCR PAN+SW+W 3X8
JP1612	301 150 6014	MT-GLAZE 0.000 ZA 1/10W			
K601H1	655 001 8403	EYELET			
K601H2	655 001 8403	EYELET			
CABINET PARTS					
	610 353 5258	ASSY,CABINET BACK-Z5HW			
⚠ *03*	610 353 5241	CABINET BACK-Z5HW			
03	412 075 5703	SPECIAL NUT			
	610 353 5272	BUTTON UNITED-Z5HW			
	610 353 8518	CABINET FRONT-Z5HV (For Z5HV/Z5HVA)			
	610 353 5234	CABINET FRONT-Z5HW (For Z5HW/Z5HWA)			
	610 353 5302	DEC IND-Z5HW			
	610 353 5326	DEC SHEET-Z5HW			
	610 336 5138	PAD RUBBER-N5MA			
⚠	610 353 5296	LID BACK-Z5HW			
	610 353 5265	DEC PANEL-Z5HW			
	610 355 1616	AL TAPE-Z5HW			
	610 355 1609	SHEET FIREPROOFING-Z5HW			
	610 355 0251	SPACER SHEET A-Z5HW			
	610 355 2989	SPACER SHEET B-Z5HW			
	610 353 5289	STAND BASE-Z5HW			
	655 002 3377	BADGE,SANYO*43.5X10L43.5			
	655 001 8212	SPACER SHEET-N5CP			
	655 003 5141	SPACER SHEET-N6WY			
		SPACER SHEET D-N7TW			
CHASSIS PARTS					
	610 355 3764	ADHESIVE CLOTH TAPE-Z5HW			
	610 353 5319	TERMINAL BASE-Z5HW			

Printed Wiring Board

MAIN BOARD (Solder Side)

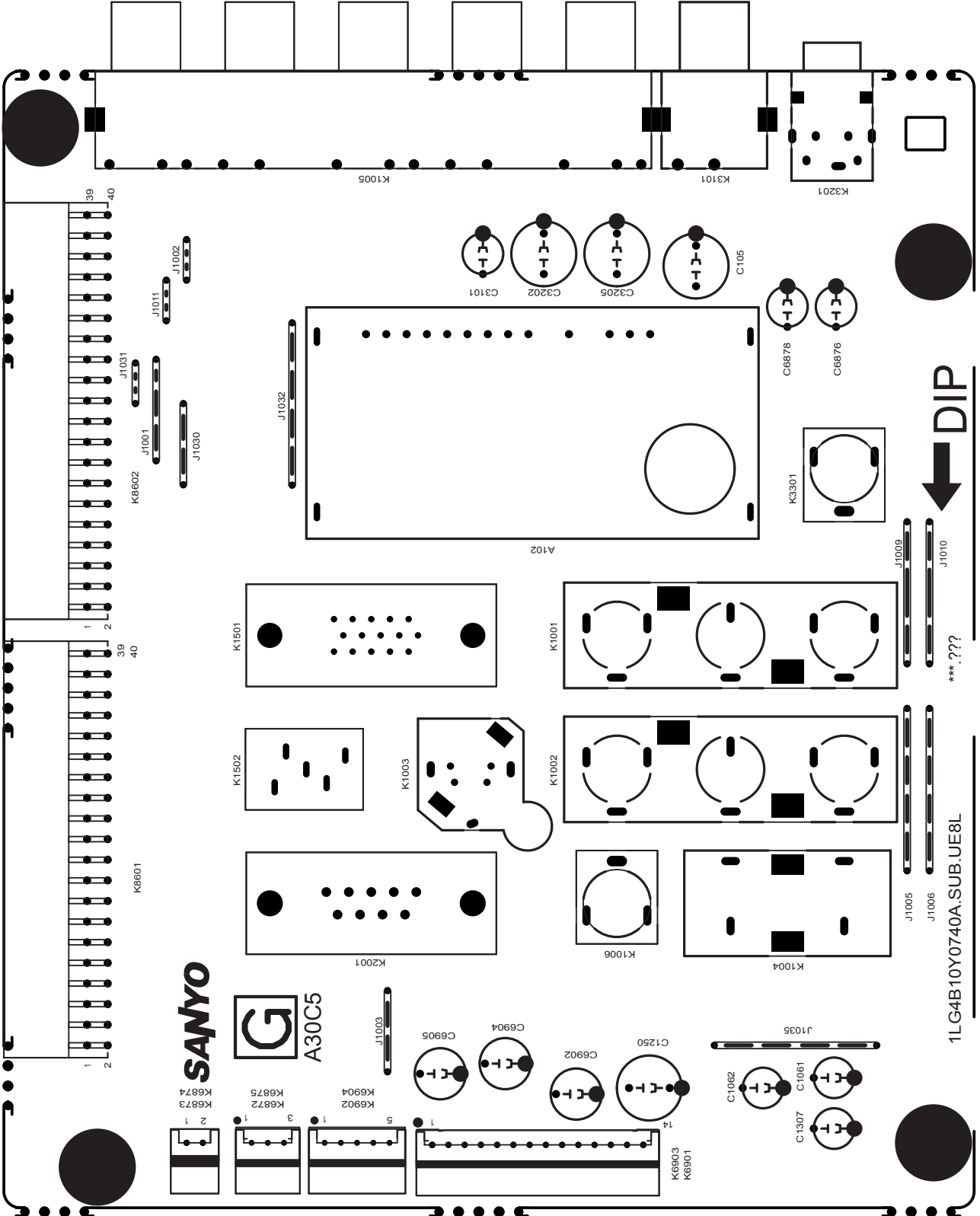


MAIN BOARD (Part Side)



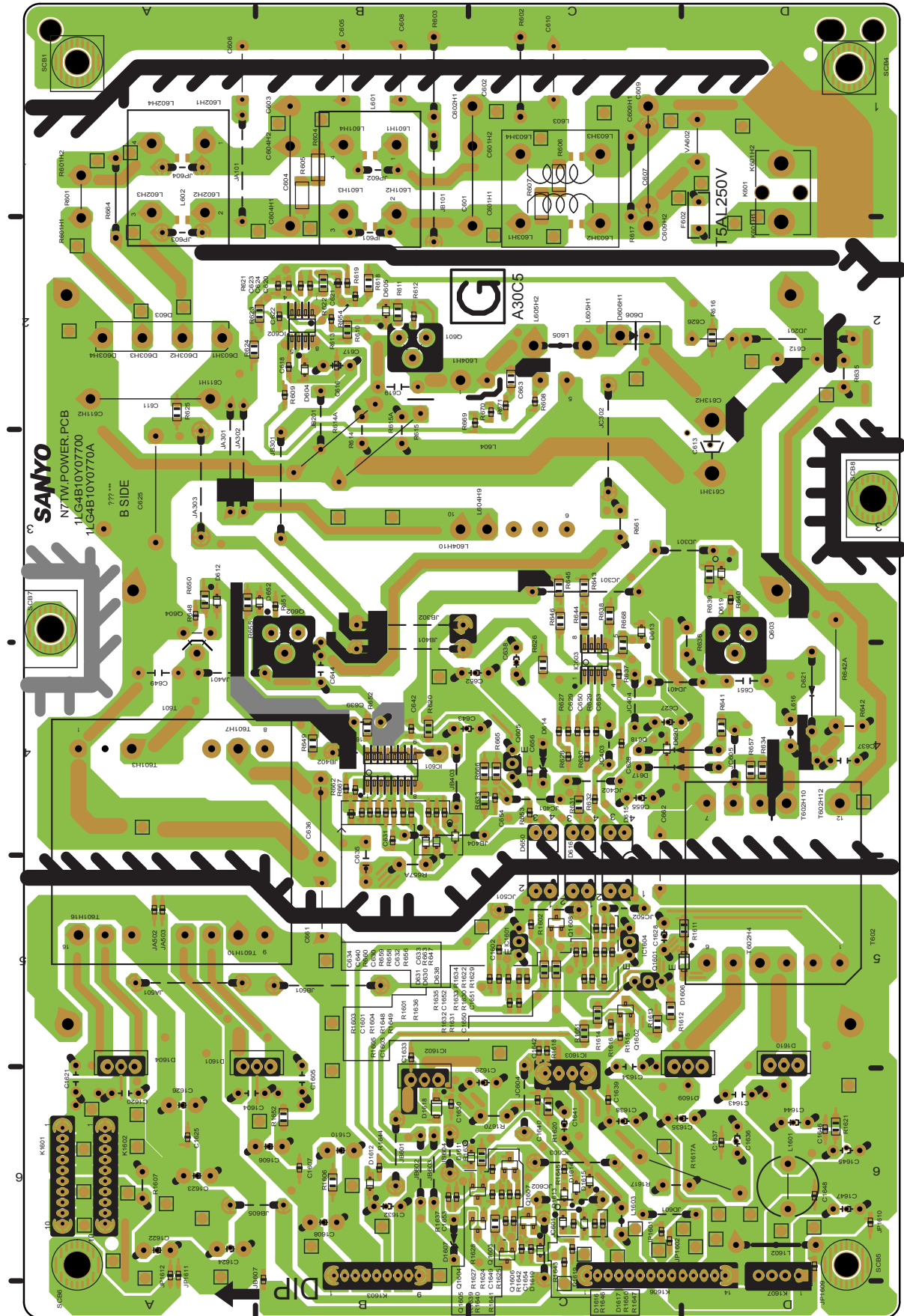
Printed Wiring Board

SUB BOARD (Part Side)



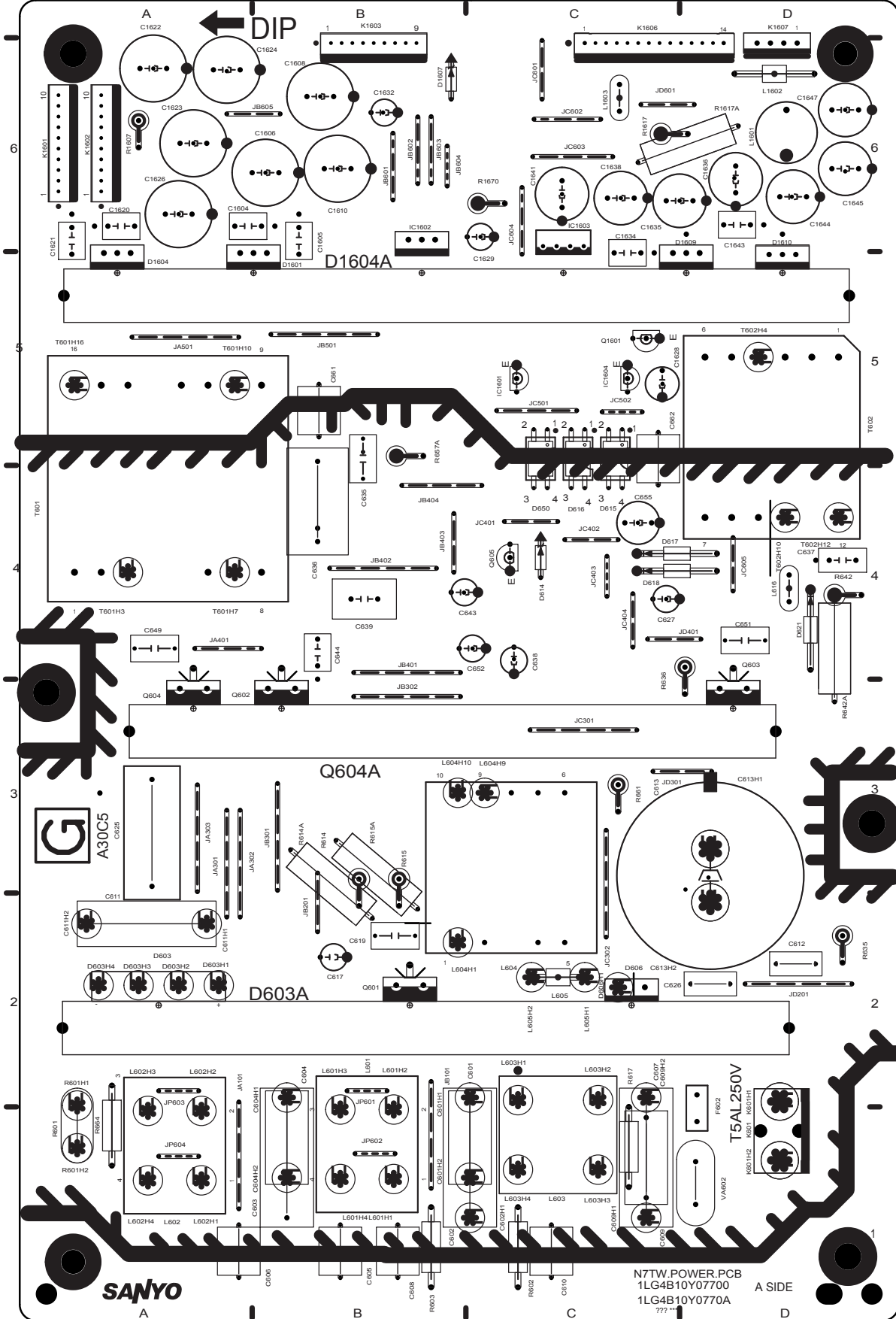
Printed Wiring Board

POWER BOARD (Solder Side)



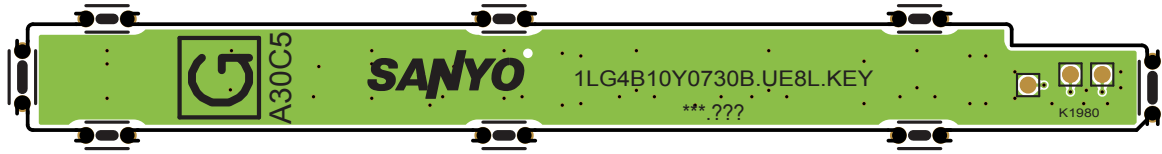
Printed Wiring Board

POWER BOARD (Part Side)

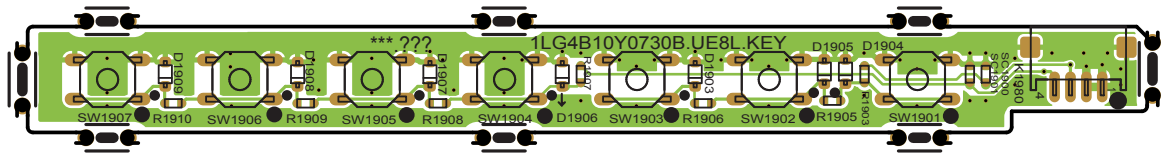


Printed Wiring Board

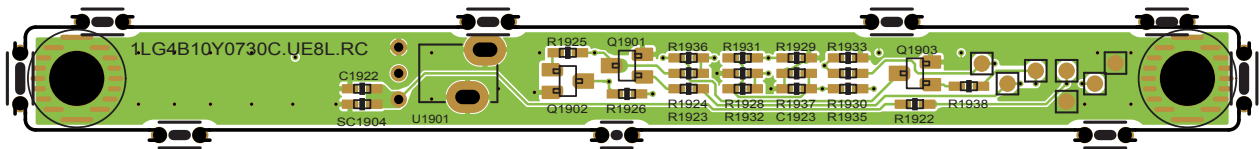
KEY BOARD (Solder Side)



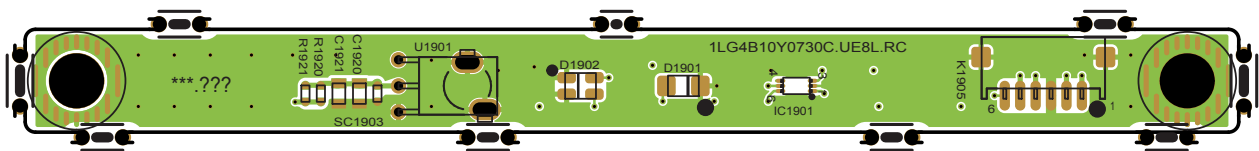
KEY BOARD (Part Side)



RC BOARD (Solder Side)

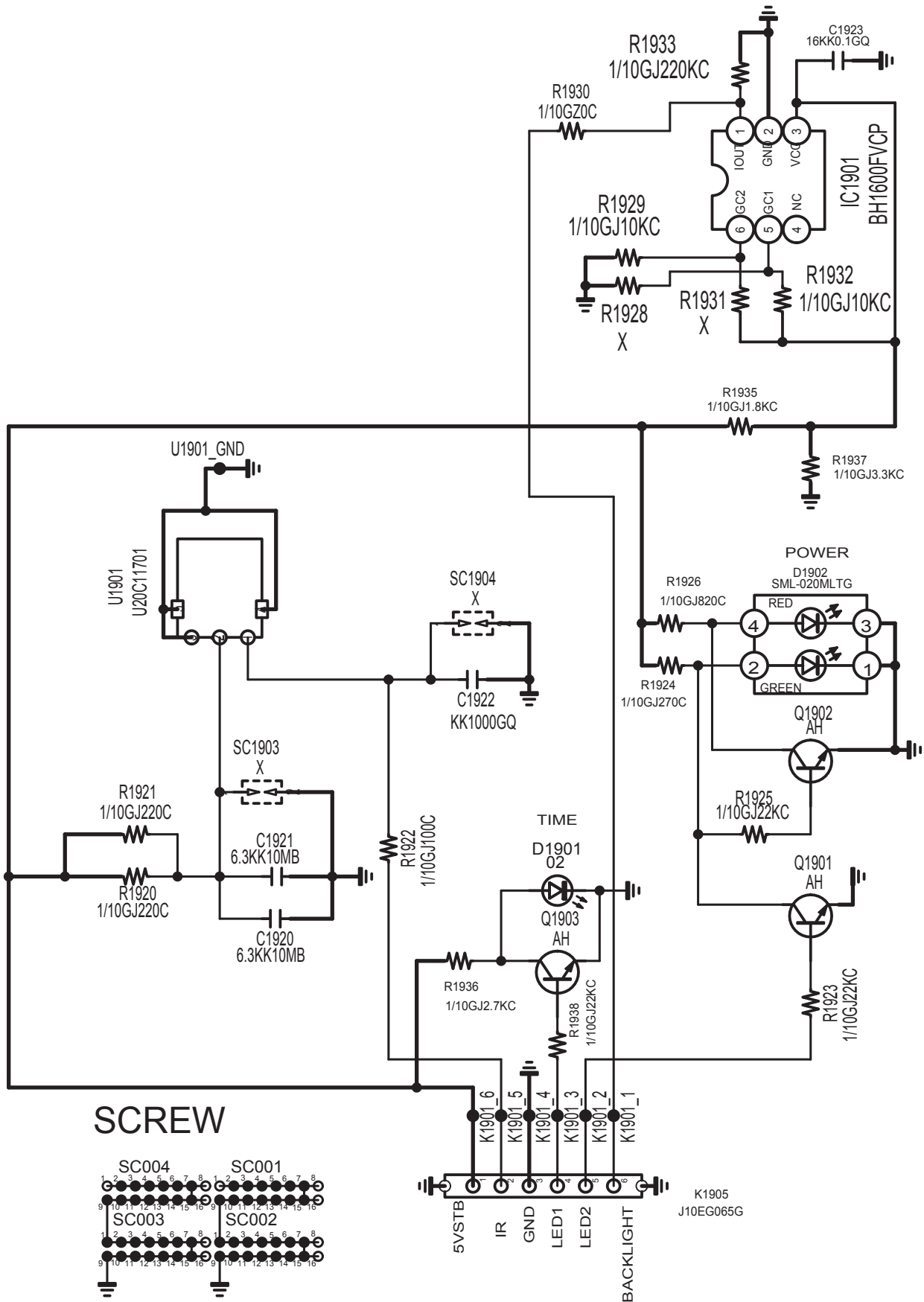


RC BOARD (Part Side)



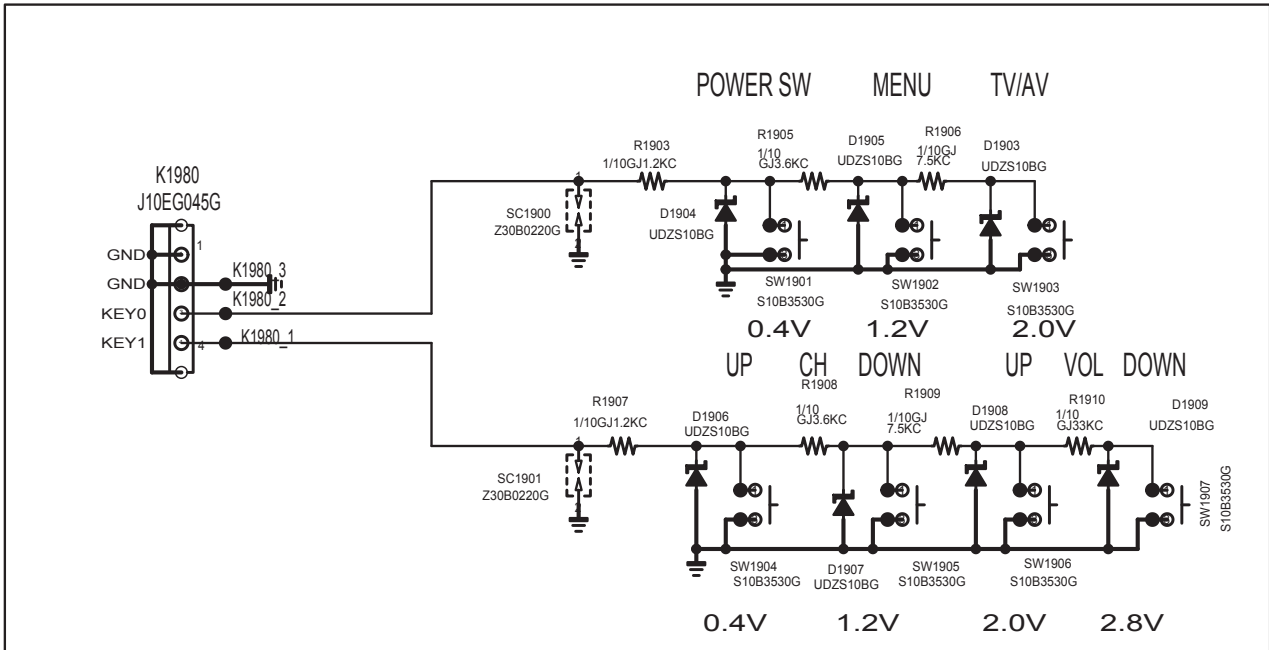
Schematic Diagram

RC BOARD



Schematic Diagram

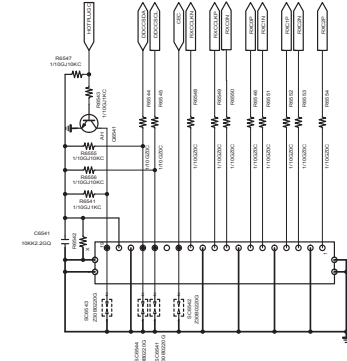
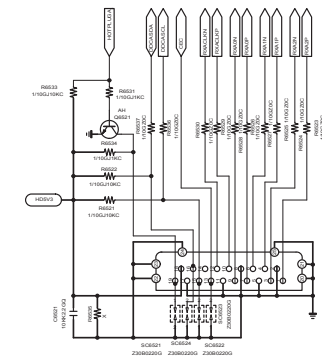
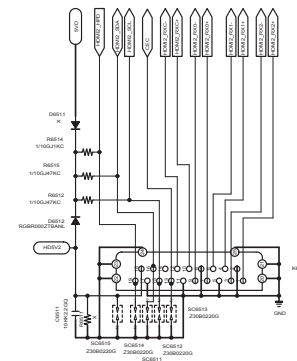
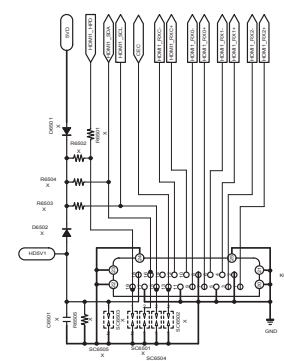
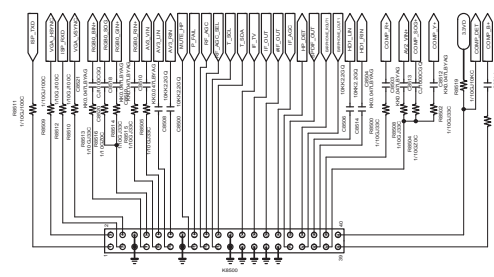
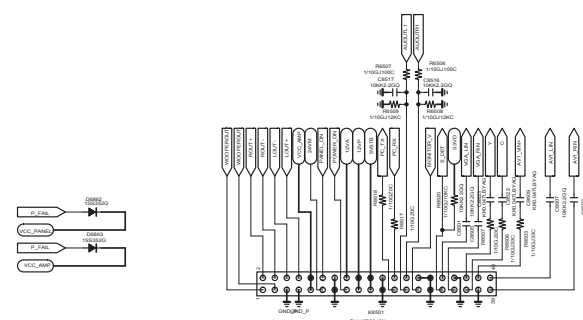
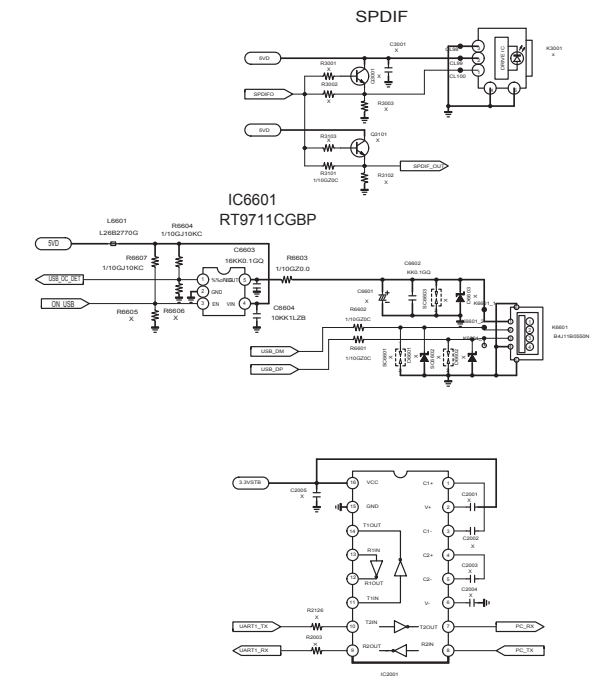
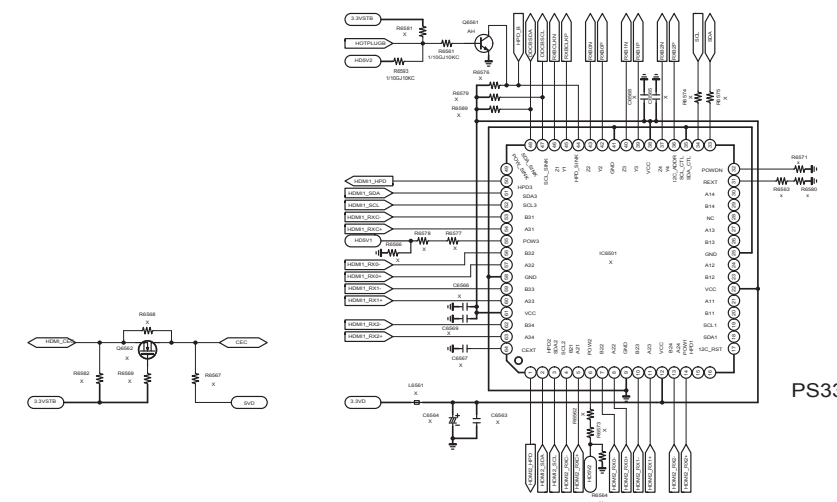
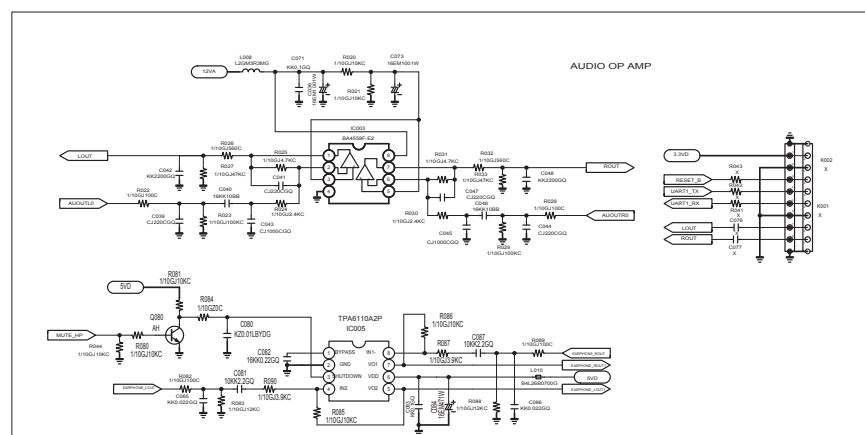
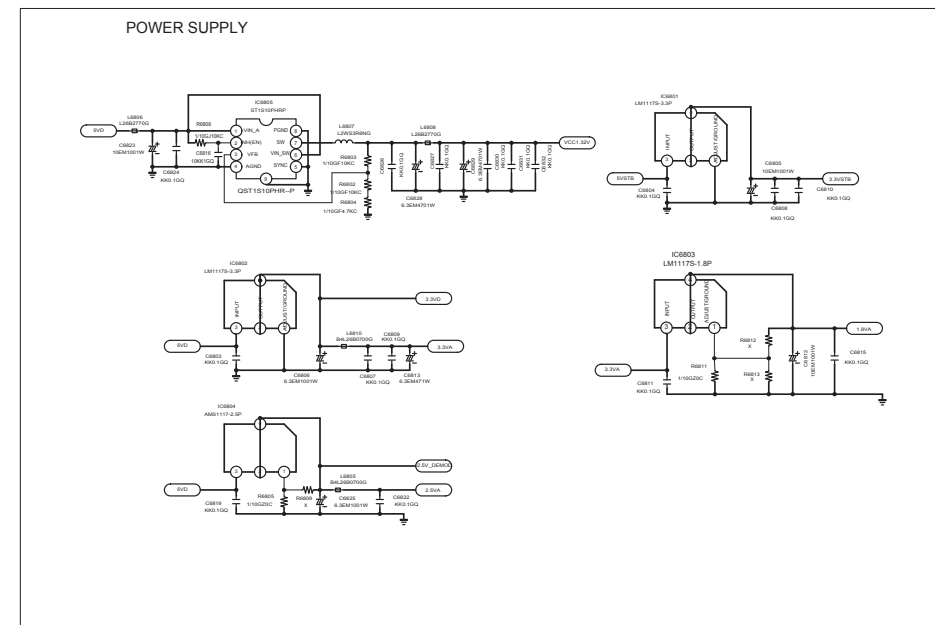
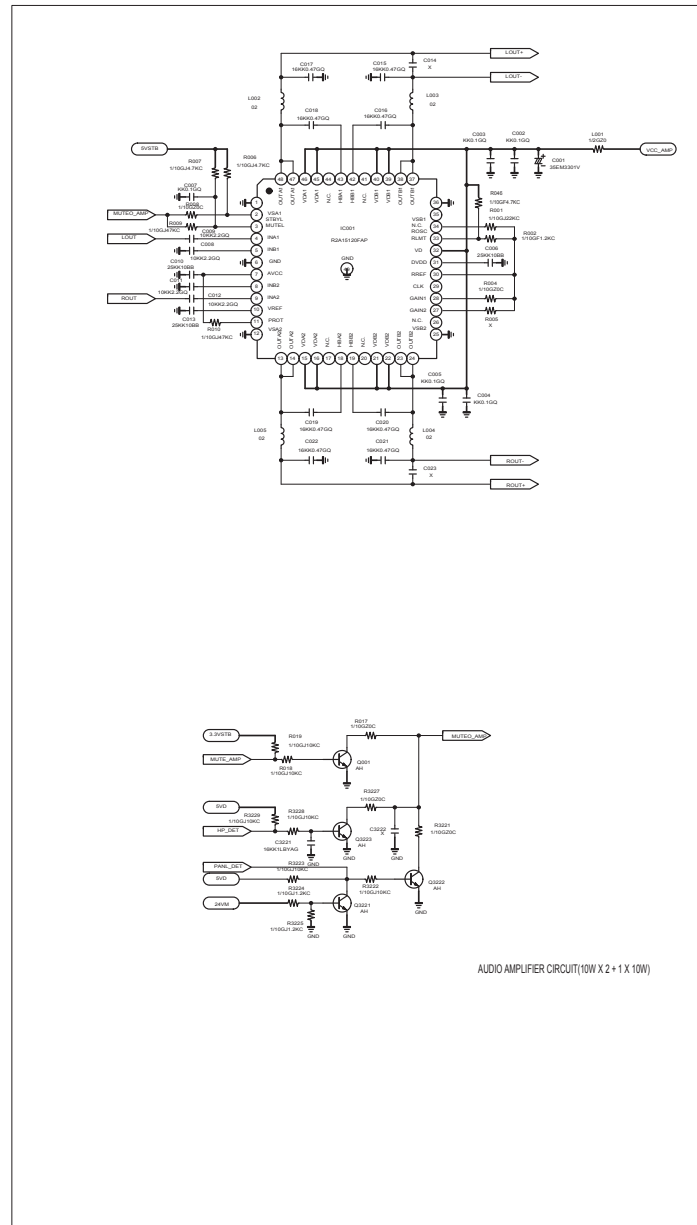
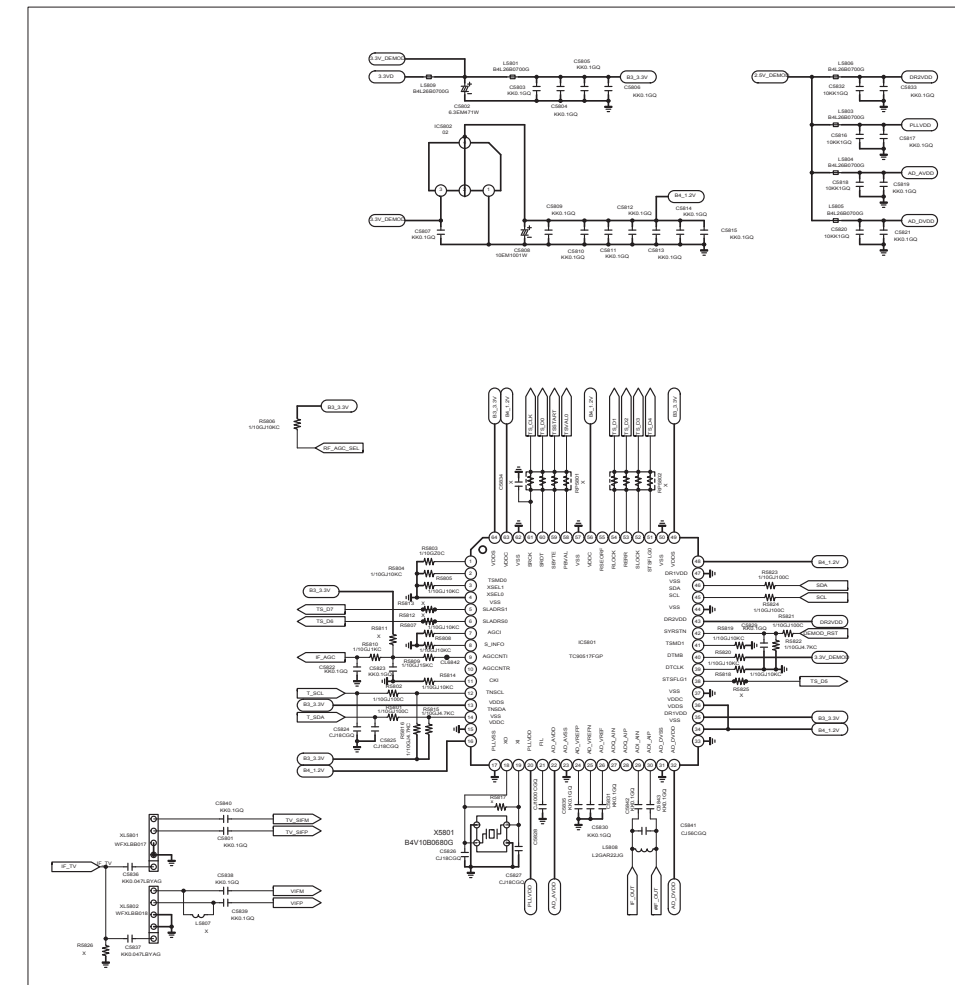
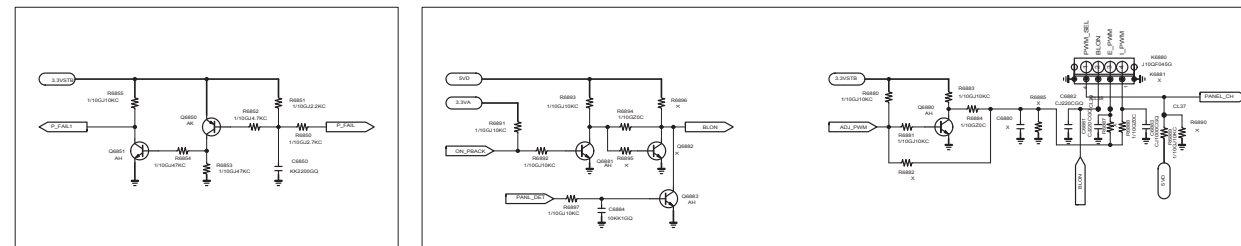
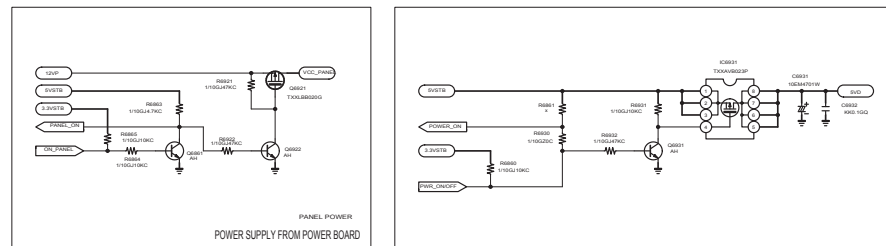
KEY BOARD

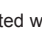


SANYO

SANYO Electronics CO., Ltd.

MAIN BOARD (1)



THE SERVICE PRECAUTION:
The area enclosed by this line () is directly connected with AC mains voltage. When servicing the area, connect an isolating transformer between TV receiver and AC line to eliminate hazard of electric shock.

SANYO COLOUR TELEVISION CHASSIS SERIES
SERVICE LCD-32XH8T-00/01 REF. NO. LCD-32XF8T-00/01

PRODUCT SAFETY NOTICE:
Product safety should be considered when a component replacement is made in any area of a receiver. Components indicated by a mark Δ in this circuit diagram show components whose values have special significance to product safety. It is particularly recommended that only parts specified on the part service manual be used for components replacement pointed out by the mark.

- CIRCUIT DIAGRAM NOTICE:**
1. All resistance value are in ohms, K=1,000, M=1,000,000.
 2. All resistance rated wattages are 1/6W unless otherwise noted.
 3. Excepting electrolytic capacitors, all capacitance values of less than 1 are expressed in μ F and more than 1 are μ F.
 4. All capacitance rated voltages are 50V unless otherwise noted.
 5. All inductance values are in μ H.
 6. This circuit diagram covers a basic or representative chassis only. There may be some components or partial circuit differences between the actual chassis and the circuit diagram.
 7. Parts specified with "X" are not installed in this model.
 8. Parts specified with "J" are just jumper wires.

9. Expression of capacitance and resistance in circuit diagram.
- Capacitance (Example)
1000 C M 2000 D
- Characteristic Capacitance value (220pF)
 - Allowable error ($\pm 20\%$)
 - Kind (Ceramic)
 - Rated voltage (1,000V)
- Resistance (Example)
1/2 N J 1.2
- Resistance value (1.2 Ω)
 - Allowable error ($\pm 5\%$)
 - Kind (M.carbon)
 - Rated wattage (1/2W)
- $\pm 5\%$
 - $\pm 10\%$
 - $\pm 20\%$
 - T, A, U, D: Electrolytic
 - C, K, B: Ceramic
 - F: Mylar film
 - M, N: Polypropylene
 - Z: Metalized paper
 - D: Carbon
 - N: Metalized carbon
 - S: Oxidized metalized
 - W: Wire winding
 - C: Solid

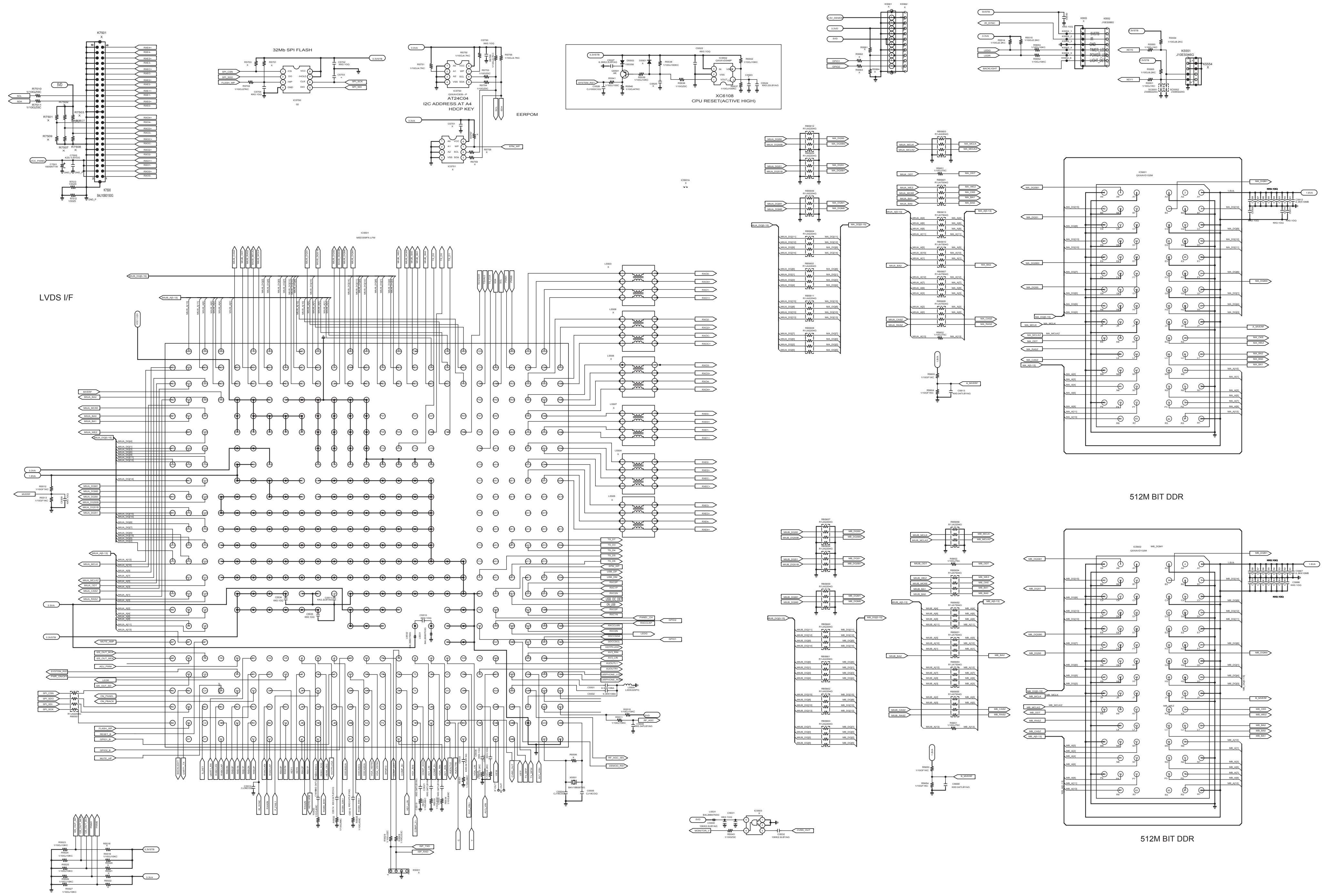
TRANSISTOR, DIODE AND INTEGRATED CIRCUIT TERMINAL GUIDE

C: COLLECTOR A: ANODE
B: BASE K: KATHODE
E: EMITTER

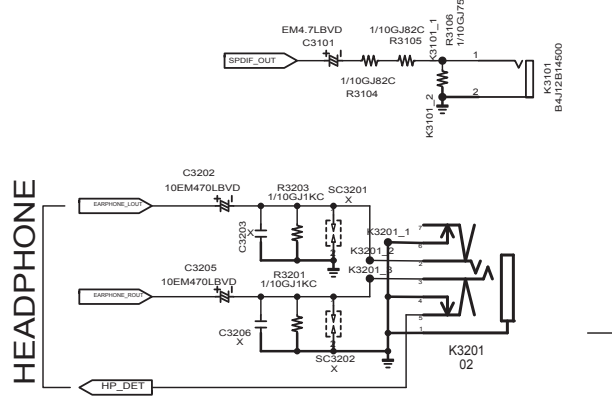
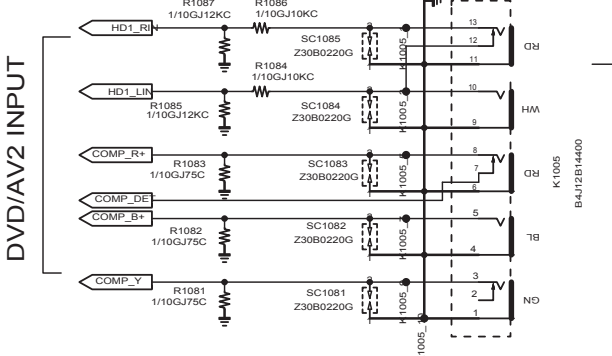
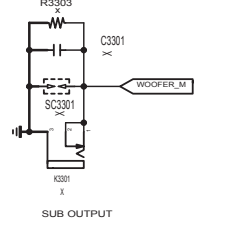
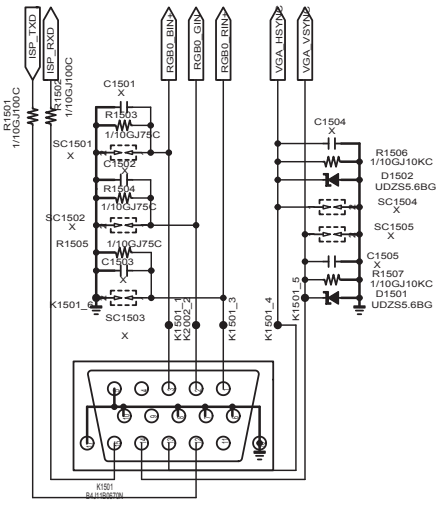
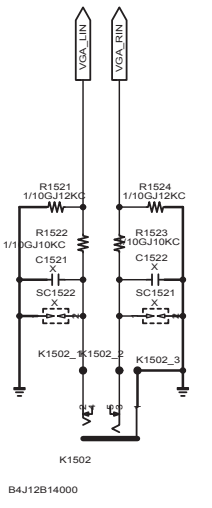
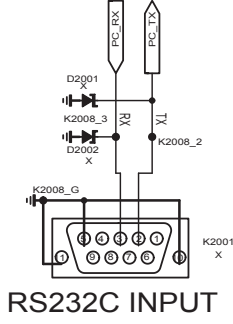
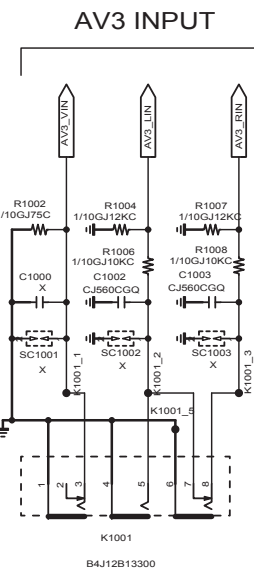
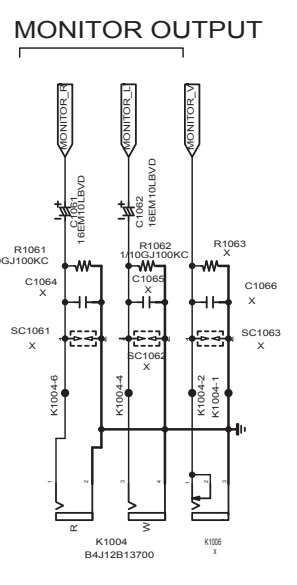
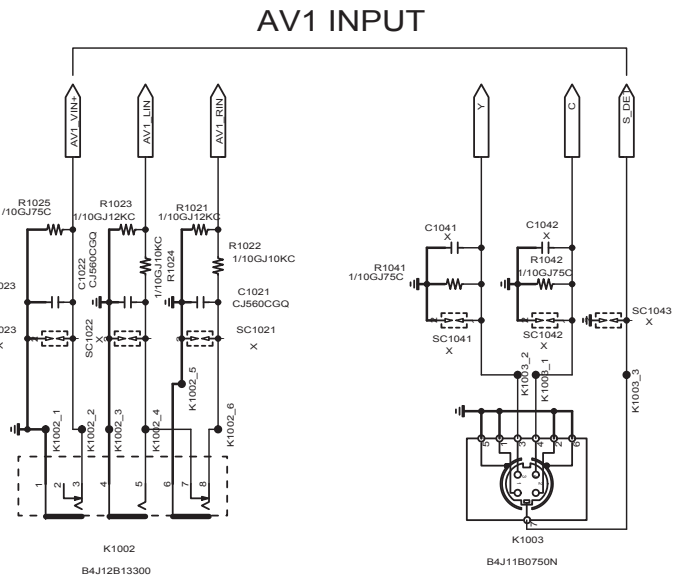
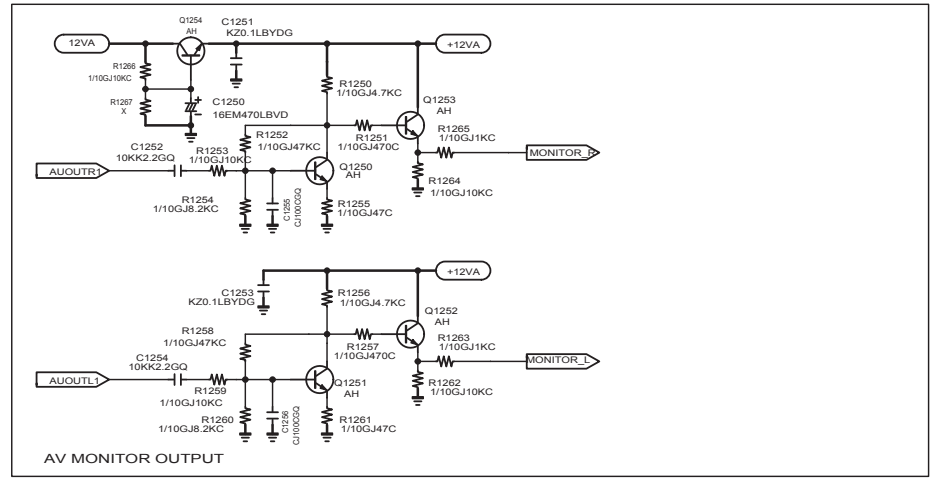
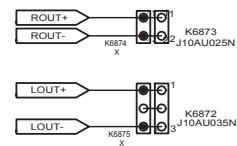
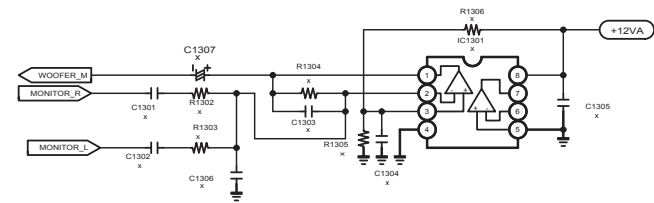
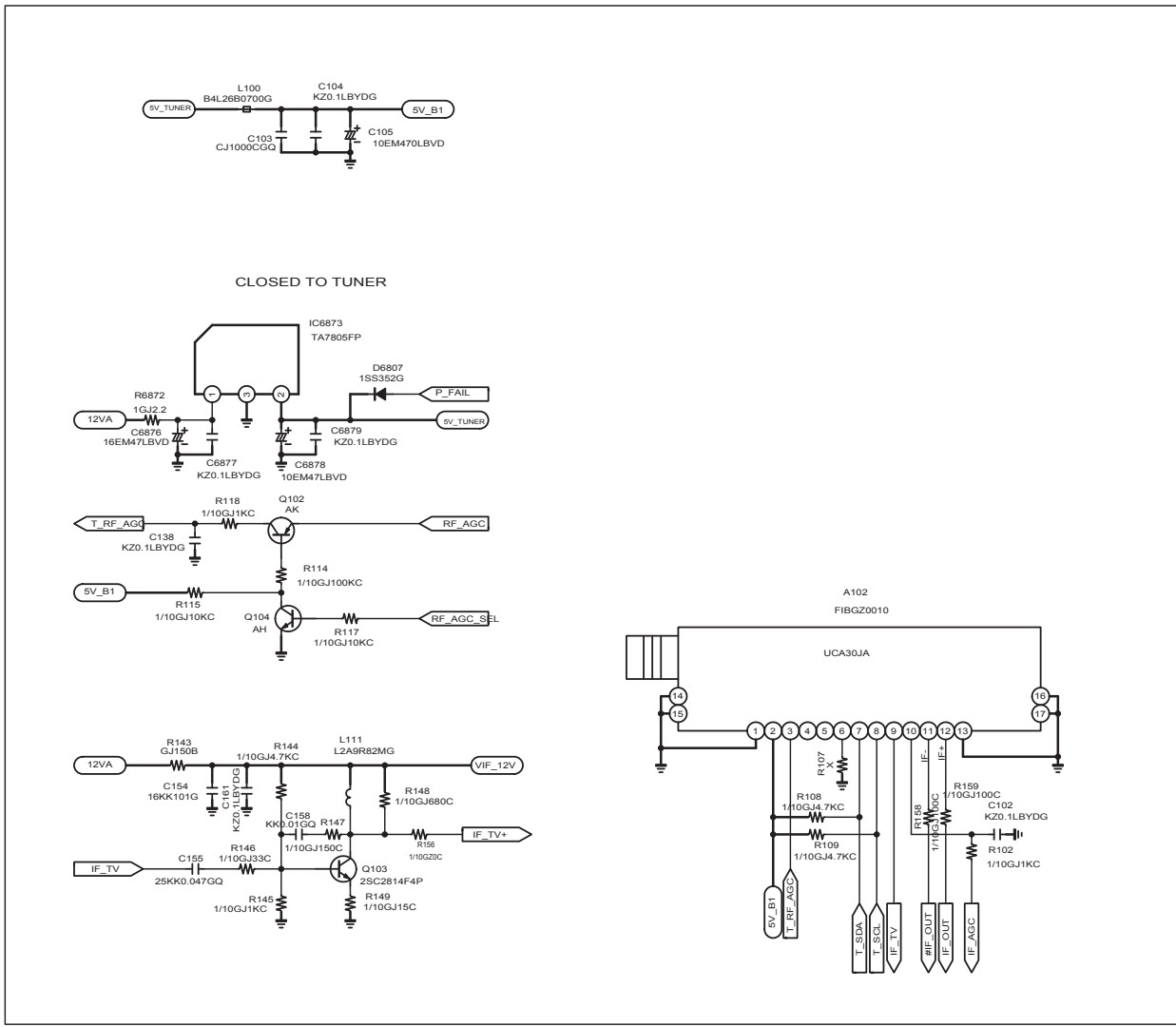
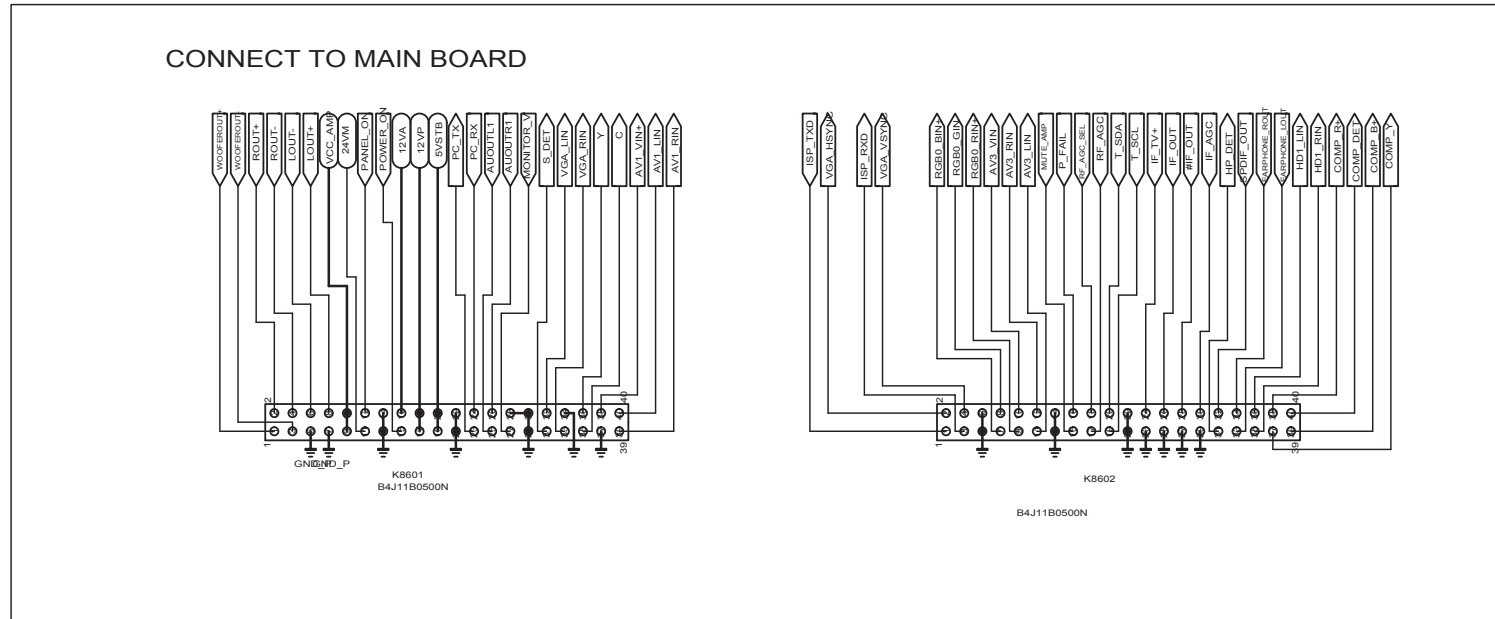
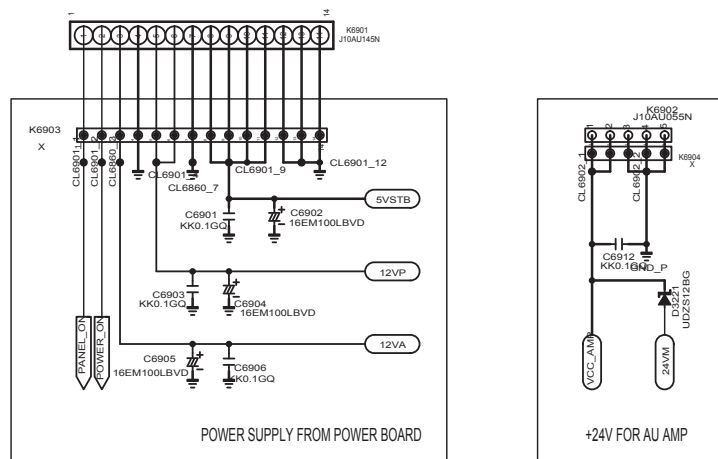
CHIP COMPONENTS
TRANSISTOR
DIODE
RESISTOR

PARTICULAR PARTS SYMBOL
FUSIBLE RESISTOR
NON POLE ELECTRIC CAPACITOR
POSISTER

MAIN BOARD (2)



SUB BOARD



SIDE CONNECTOR

BACK SIDE CONNECTOR

