



# LCD Television Service Manual

---

**Chassis: MTK8222**

**Product Type: LCD42P69P、LCD47P69P**

**Ver 1.0**

**Hisense Electric Co., Ltd.**

**March, 2009**

---

# Contents

<b>Contents</b> .....	- 2 -
<b>Service Manual</b> .....	- 3 -
1. Precautions and notices.....	- 3 -
1.1 Warning.....	- 4 -
1.2 Notes.....	- 7 -
2. Product Function Specifications.....	- 10 -
2.1 Product Function.....	- 10 -
2.2 Specifications.....	- 12 -
3. LCD Panel Spec.....	- 13 -
4. Chassis Layout and Overall Wiring Diagrams .....	- 16 -
Boards and Chassis Layout.....	- 16 -
5. Factory/Service OSD Menu and Adjustment.....	- 17 -
5.1 To enter the Factory OSD Menu.....	- 17 -
5.2 Factory OSD Menu.....	- 17 -
6 Software Upgrading.....	- 21 -
6.1 Get ready for upgrading.....	- 21 -
6.2 Upgrading with the MtkTool .....	- 23 -
6.3 Update with USB directly.....	- 27 -
7. Troubleshooting .....	- 29 -
7.1 Troubleshooting for Remote Control.....	- 29 -
7.2 Troubleshooting for Function Key.....	- 30 -
7.3 TV won't Power On.....	- 31 -
7.4 Troubleshooting for Audio.....	- 32 -
7.5 Troubleshooting for TV/VGA/HDMI input.....	- 33 -
7.6 Troubleshooting for YPbPr input.....	- 34 -
7.7 Troubleshooting for Video/S-Video input.....	- 35 -
8. Explode View.....	- 36 -
9. Schematic circuit diagram .....	- 36 -

# Service Manual

## 1. Precautions and notices

BEFORE SERVICING THE LCD TV, READ THE SAFETY PRECAUTIONS IN THIS MANUAL.

WHEN REPLACEMENT PARTS ARE REQUIRED, BE SURE TO USE REPLACEMENT PARTS SPECIFIED BY THE MANUFACTURER.

Proper service and repair is important to the safe, reliable operation of all Hisense Electric Co., Ltd Equipment. The service procedures recommended by Hisense and described in this Service Guide are effective methods of performing service operations. Some of these service operations require the use of tools specially designed for the purpose. The special tools should be used when and as recommended.

It is important to note that this manual contains various CAUTIONS and NOTICES which should be carefully read in order to minimize the risk of personal injury to service personnel. The possibility exists that improper service methods may damage the equipment. It is also important to understand that these CAUTIONS and NOTICES ARE NOT EXHAUSTIVE. Hisense could not possibly know, evaluate and advise the service trade of all conceivable ways in which service might be done or of the possible hazardous consequences of each way. Consequently, Hisense has not undertaken any such broad evaluation. Accordingly, a serviceman that uses a service procedure or tools,

which are not recommended by Hisense, must first satisfy himself thoroughly that neither his safety nor the safe of the equipment will be jeopardized by the service method selected.

Hereafter throughout this manual, Hisense Electric Co., Ltd will be referred to as Hisense.

### 1.1 Warning

#### 1.1.1

Critical components having special safety characteristics are identified with a **▲** by the Ref. No. in the parts list. Use of substitute replacement parts, which do not have the same specified safety characteristics, may create shock, fire, or other hazards.

Under no circumstances should the original design be modified or altered without written permission from Hisense. Hisense assumes no liability, express or implied, arising out of any unauthorized modification of design. Serviceman assumes all liability.

#### DANGERCAUTION CAUTION

TO ENSURE THE CONTINUED RELIABILITY OF THIS PRODUCT, USE ONLY ORIGINAL MANUFACTURER'S REPLACEMENT PARTS, WHICH ARE LISTED WITH THEIR PART NUMBERS IN THE PARTS LIST SECTION OF THIS SERVICE GUIDE.

#### 1.1.2.

All ICs and many other semiconductors are susceptible to electrostatic discharges (ESD).

Careless handling during repair can reduce life drastically. When repairing, make sure

that you are connected with the same potential as the mass of the set by a wristband with resistance. Keep components and tools also at this same potential.

1. Never replace modules or other components while the unit is switched on.

2. When making settings, use plastic rather than metal tools. This will prevent any short circuits and the danger of a circuit becoming unstable.

### 1.1.3

To prevent electrical shock, do not use this polarized ac plug with an extension cord, receptacle, or the outlet unless the blades can be fully inserted to prevent blade exposure.

To prevent electrical shock, match wide blade or plug to wide slot, fully insert.

### 1.1.4

When replacement parts are required, be sure to use replacement parts specified by the manufacturer or have the same characteristics as the original part. Unauthorized substitutions may result in fire, electric shock, or other hazards.

### 1.1.5

Safety regulations require that after a repair the set must be returned in its original condition. In particular attention should be paid to the following points.

- Note: The wire trees should be routed correctly and fixed with the mounted cable clamps.

- The insulation of the mains lead should be checked for external damage.

### 1.1.6

- (1) Do not touch Signal and Power Connector while this product operates. Do not

touch EMI ground part and Heat Sink of Film Filter.

(2) Do not supply a voltage higher than that specified to this product. This may damage the product and may cause a fire.

(3) Do not use this product in locations where the humidity is extremely high, where it may be splashed with water, or where flammable materials surround it. Do not install or use the product in a location that does not satisfy the specified environmental conditions. This may damage the product and may cause a fire.

(4) If a foreign substance (such as water, metal, or liquid) gets inside the panel module, immediately turn off the power. Continuing to use the product may cause fire or electric shock.

(5) If the product emits smoke, and abnormal smell, or makes an abnormal sound, immediately turn off the power. Continuing to use the product, it may cause fire or electric shock.

(6) Do not disconnect or connect the connector while power to the product is on. It takes some time for the voltage to drop to a sufficiently low level after the power has been turned off. Confirm that the voltage has dropped to a safe level before disconnecting or connecting the connector.

(7) Do not pull out or insert the power cable from/to an outlet with wet hands. It may cause electric shock.

(8) Do not damage or modify the power cable. It may cause fire or electric shock.

(9) If the power cable is damaged, or if the connector is loose, do not use the product:

otherwise, this can lead to fire or electric shock.

(10) If the power connector or the connector of the power cable becomes dirty or dusty, wipe it with a dry cloth. Otherwise, this can lead to fire.

(11) Use only with the cart, stand, tripod, bracket, or table specified by the manufacturer, or sold with the apparatus. When a cart is used, use caution when moving the cart/apparatus combination to avoid injury from tip-over.

### 1.2 Notes

Notes on Safe Handling of the LCD panel and during service

The work procedures shown with the Note indication are important for ensuring the safety of the product and the servicing work. Be sure to follow these instructions.

- Before starting the work, secure a sufficient working space.
- At all times other than when adjusting and checking the product, be sure to turn OFF the POWER Button and disconnect the power cable from the power source of the TV during servicing.
- To prevent electric shock and breakage of PC board, start the servicing work at least 30 seconds after the main power has been turned off. Especially when installing and removing the power board, start servicing at least 2 minutes after the main power has been turned off.
- While the main power is on, do not touch any parts or circuits other than the ones specified. If any connection other than the one specified is made between the measuring

equipment and the high voltage power supply block, it can result in electric shock or activation of the leakage-detection circuit breaker.

- When installing the LCD module in, and removing it from the packing carton, be sure to have at least two persons perform the work.
- When the surface of the panel comes into contact with the cushioning materials, be sure to confirm that there is no foreign matter on top of the cushioning materials before the surface of the panel comes into contact with the cushioning materials. Failure to observe this precaution may result in, the surface of the panel being scratched by foreign matter.
- When handling the circuit board, be sure to remove static electricity from your body before handling the circuit board.
- Be sure to handle the circuit board by holding the large parts as the heat sink or transformer. Failure to observe this precaution may result in the occurrence of an abnormality in the soldered areas.
- Do not stack the circuit boards. Failure to observe this precaution may result in problems resulting from scratches on the parts, the deformation of parts, and short-circuits due to residual electric charge.
- Routing of the wires and fixing them in position must be done in accordance with the original routing and fixing configuration when servicing is completed. All the wires are routed far away from the areas that become hot (such as the heat sink). These wires are fixed in position with the wire clamps so that the wires do not move, thereby ensuring



that they are not damaged and their materials do not deteriorate over long periods of time. Therefore, route the cables and fix the cables to the original position and states using the wire clamps.

- Perform a safety check when servicing is completed. Verify that the peripherals of the serviced points have not undergone any deterioration during servicing. Also verify that the screws, parts and cables removed for servicing purposes have all been returned to their proper locations in accordance with the original setup.



The lightning flash with arrowhead symbol, within an equilateral triangle is intended to alert the user to the presence of uninsulated dangerous voltage within the products enclosure that may be of sufficient magnitude to constitute a risk of electric shock.

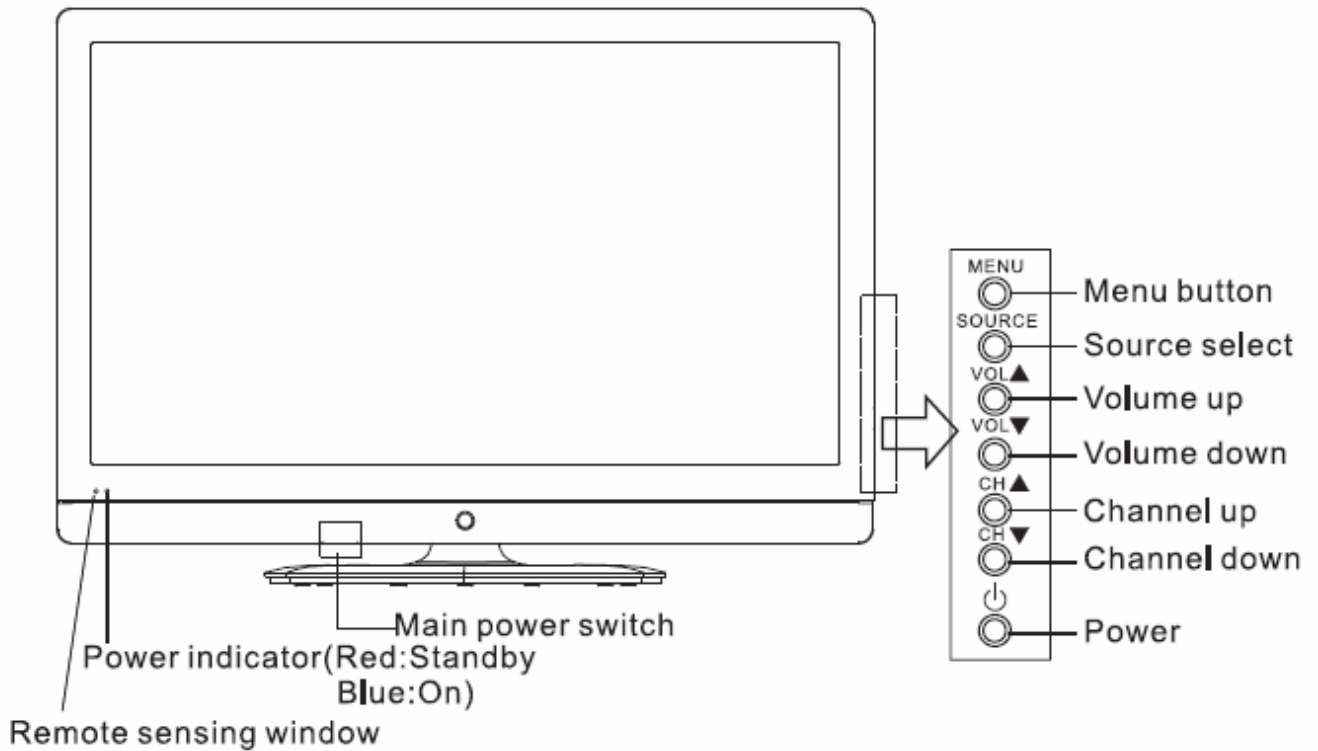


The exclamation point within an equilateral triangle is intended to alert the user to the presence of important operating and maintenance (servicing) instructions in the literature accompanying the set.

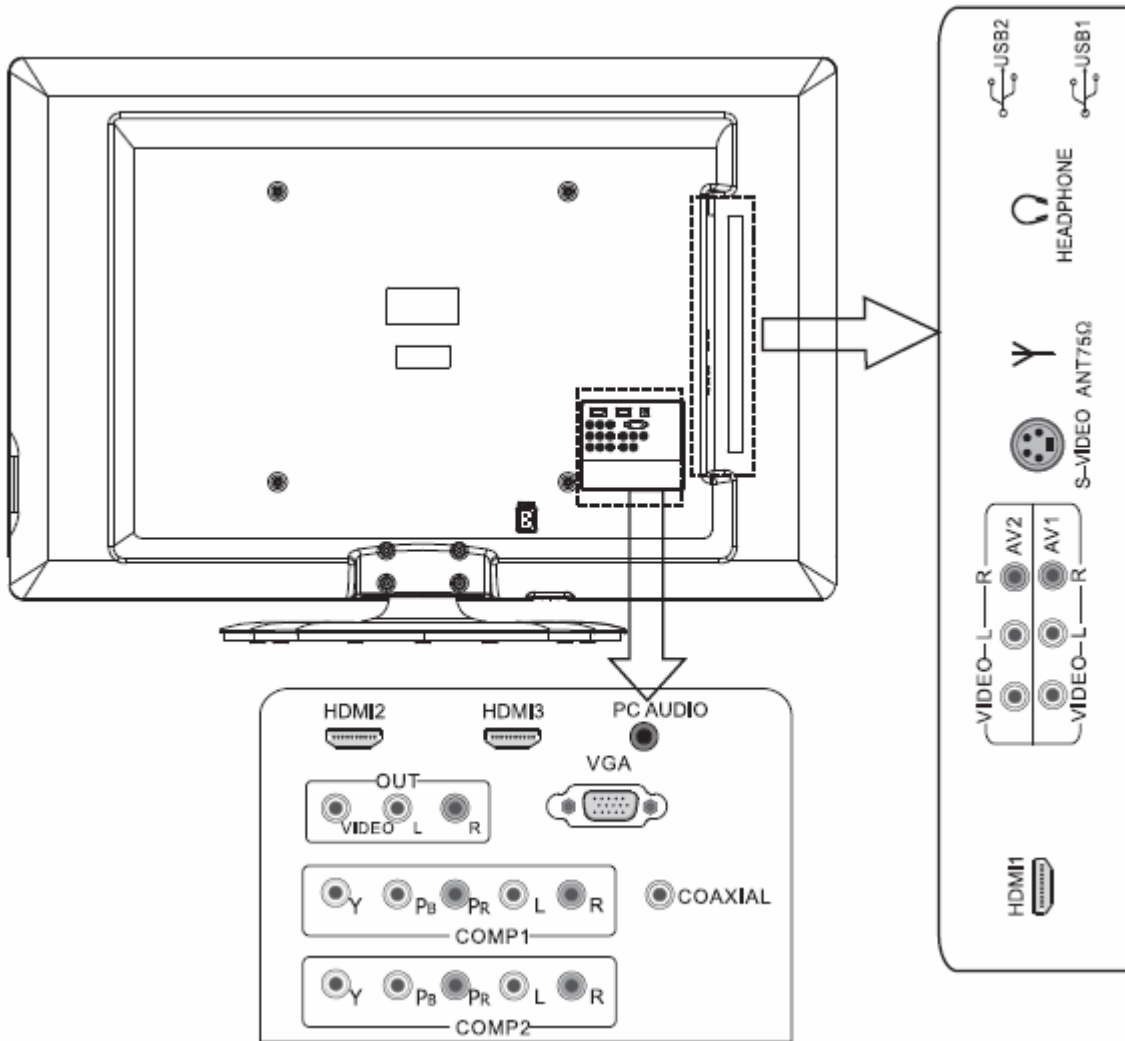
## 2. Product Function Specifications

### 2.1 Product Function

#### Front Cabinet



Back Cabinet



## 2.2 Specifications

Model Name		LCD42P69P	LCD47P69P
Dimension (W×H×D)(mm)	Without stand	1033×113.5×681	1140×747×112
	With stand	1033×302×738	1140×806×346
Weight(kg)	Without stand	21	26.5
	With stand	24	31
LCD Panel			
Minimum size(diagonal)		107	119
Screen resolution		1920×1080	1920×1080
Power consumption		250W	280W
Audio power		8W+8W	8W+8W
Power supply		Refer to rating label	
Receiving systems	RF	PAL(D/K, I, B/G,L,L'), SECAM	
	AV	PAL, SECAM, NTSC	
Channel range		C1~C57 Z1~Z38	
Environmental conditions		Temperature 5°C~ 35°C Humidity:20%-80% RH, Atmospheric pressure: 86kPa-106kPa	
Component Input		480I、480P、576I、576P 720P/60Hz、1080I/50Hz、1080I/60Hz 1080P/50Hz、1080P/60Hz	
VGA Input		VGA ( 640×480 60Hz ) 、 SVGA ( 800×600 60Hz ) XGA ( 1024×768 60Hz )	
HDMI Input		RGB/60Hz ( 640×480、800×600、1024×768 ) YUV/50Hz ( 576P、720P、1080I、1080P ) YUV/60Hz ( 480I、480P、720P、1080I、1080P )	

**NOTE: Specifications and design are subject to possible modifications without notice  
Due to improvements.**

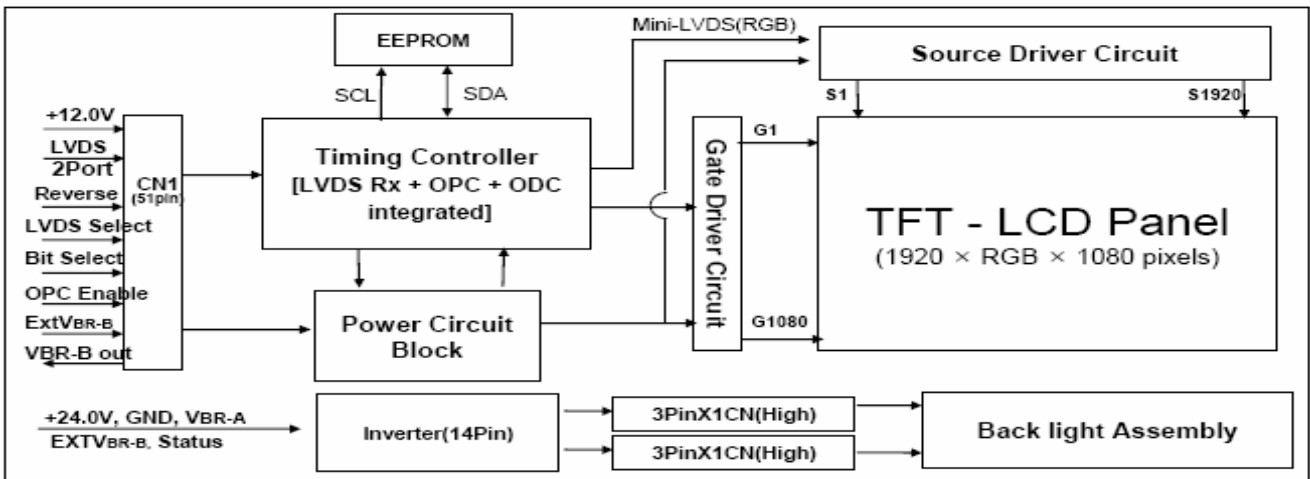
### 3. LCD Panel Spec

#### LCD42P69P

Panel: LC420WUN-SBD1 \ROH SN: 1056497

#### 3.1 General Description

The LC420WUN is a Color Active Matrix Liquid Crystal Display with an integral External Electrode Fluorescent Lamp (EEFL) backlight system. The matrix employs a-Si Thin Film Transistor as the active element. It is a transmissive display type which is operating in the normally black mode. It has a 42.02 inch diagonally measured active display area with WUXGA resolution (1080 vertical by 1920 horizontal pixel array). Each pixel is divided into Red, Green and Blue sub-pixels or dots which are arrayed in vertical stripes. Gray scale or the luminance of the sub-pixel color is determined with a 10-bit gray scale signal for each dot. Therefore, it can present a palette of more than 1.06B colors. It has been designed to apply the 10-bit 2-port LVDS interface. It is intended to support LCD TV, PCTV where high brightness, super wide viewing angle, high color gamut, high color depth and fast response time are important.



#### 3.2 General Features

Active Screen Size	42.02 inches(1067.31mm) diagonal
Outline Dimension	983.0(H) x 576.0 (V) x 51.0 mm(D) (Typ.)
Pixel Pitch	0.4845 mm x 0.4845 mm
Pixel Format	1920 horiz. by 1080 vert. Pixels, RGB stripe arrangement
Color Depth	10-bit(D), 1.06B colors
Luminance, White	500 cd/m <sup>2</sup> (Center 1point ,Typ.)
Viewing Angle (CR>10)	Viewing angle free ( R/L 178 (Min.), U/D 178 (Min.))
Power Consumption	Total(166.7)W (Typ.) (Logic=6.7W, Inverter=160W) [VBR-A=1.65V]
Weight	11.5 Kg (Typ.)
Display Mode	Transmissive mode, Normally black
Surface Treatment	Hard coating(3H), Anti-glare treatment of the front polarizer (Haze 10%)

## LCD47P69P

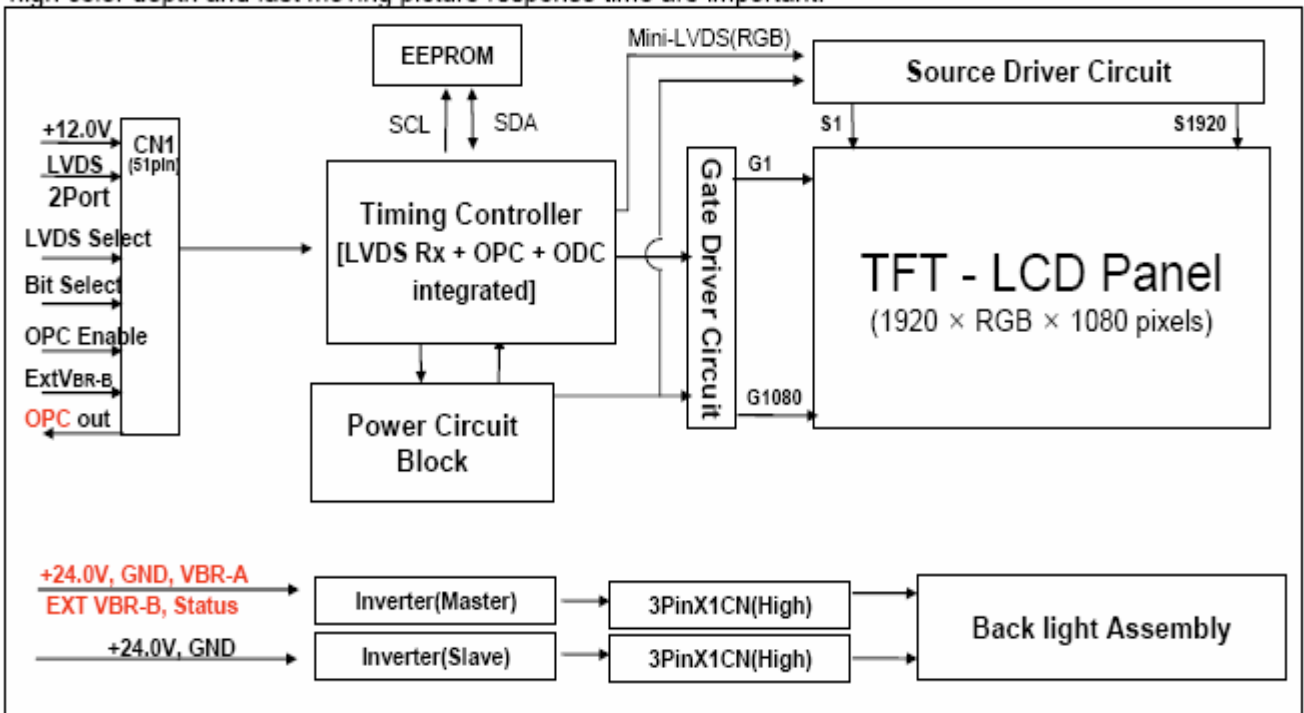
Panel: LC470WUN-SBC1\ROH SN: 1056802

### 3.1 General Description

LC470WUN is a Color Active Matrix Liquid Crystal Display with an **External Electrode Fluorescent Lamp (EEFL)** backlight system. The matrix employs a-Si Thin Film Transistor as the active element. It is a transmissive type display operating in the normally black mode. It has a 46.96 inch diagonally measured active display area with WUXGA resolution (1080 vertical by 1920 horizontal pixel array) Each pixel is divided into Red, Green and Blue sub-pixels or dots which are arranged in vertical stripes. Gray scale or the luminance of the sub-pixel color is determined with a 10-bit gray scale signal for each dot, thus presenting a palette of more than 1.06Billion(FRC) of colors.

It has been designed to apply the 10-bit 4 port LVDS interface.

It is intended to support LCD TV, PCTV where high brightness, super wide viewing angle, high color gamut, high color depth and fast moving picture response time are important.



## 3.2 General Features

Active Screen Size	46.96 inch (1192.87mm) diagonal
Outline Dimension	1096.0(H) x 640.0 (V) x 51.0 mm (D) (Typ.)
Pixel Pitch	0.5415 mm x 0.5415 mm x RGB
Pixel Format	1920 horiz. by 1080 vert. Pixels, RGB stripe arrangement
Color Depth	10Bit(D), 1.06 Billion colors
Luminance, White	500 cd/m <sup>2</sup> (Center 1point ,Typ.)
Viewing Angle (CR>10)	Viewing angle free ( R/L 178 (Min.), U/D 178 (Min.))
Power Consumption	Total 212W (Typ.) [Logic= 6.0W, Backlight=205W (V <sub>BR-A</sub> =1.65V)]
Weight	13.0 Kg (Typ.)
Display Mode	Transmissive mode, Normally black
Surface Treatment	Hard coating(3H), Anti-glare treatment of the front polarizer (Haze : 10%)

## 4. Chassis Layout and Overall Wiring Diagrams

### Boards and Chassis Layout

#### LCD42P69P:

No	Description	Part No.	Type/Model	PCB/ Model
(1)	Main board	118963	RSAG2.908.1497\ROH	RSAG7.820.1637\VER.D\ROH
(2)	Power board	116947	RSAG2.908.1192-7\ROH	RSAG7.820.1185\VER.D\ROH
(3)	Keypad PCA	113354	RSAG2.908.1088\ROH	RSAG7.820.1101\VER.B\ROH
(4)	IR board	113523	RSAG2.908.1029-2\ROH	40RSAG7.820.996\VER.C\ROH
(5)	Led board	117467	RSAG2.908.1279-1\ROH	RSAG7.820.1343\VER.D\ROH

#### LCD47P69P:

No	Description	Part No.	Type/Model	PCB/ Model
(1)	Main board	120028	RSAG2.908.1497-1\ROH	RSAG7.820.1637\VER.D\ROH
(2)	Power board	115259	RSAG2.908.1131-2\ROH	RSAG7.820.977\VER.F\ROH
(3)	Keypad PCA	113354	RSAG2.908.1088\ROH	RSAG7.820.1101\VER.B\ROH
(4)	IR board	113523	RSAG2.908.1029-2\ROH	RSAG7.820.996\VER.C\ROH
(5)	Led board	117467	RSAG2.908.1279-1\ROH	RSAG7.820.1343\VER.D\ROH



## 5. Factory/Service OSD Menu and Adjustment

### 5.1 To enter the Factory OSD Menu

- a. With factory RC (remote control)
  1. Press “M” button and enter factory mode.
  2. Press “Menu” button and enter factory OSD menu.
  3. Press “CH+”/“CH-” button select the function menu, press “VOL+”/“VOL-” enter the selected function menu. Press “VOL+”/“VOL-” button adjust values in the menu.
- b. With user’s RC
  1. Power TV On
  2. Press Menu button and call up User OSD Menu
  3. Select Audio-> Balance
  4. Enter 0->5->3 ->2 in sequence.  
Note: If necessary, re-do number keys.
  5. Factory OSD appears.
  6. Press Menu again and leave factory OSD.

### 5.2 Factory OSD Menu

#### 5.2.1 White Balance

**Note: Different source has different WB values. Before adjusting, please change to desired source.**

##### 1. Auto Color

For VGA and Component Video sources, WB values must be adjusted. And at others signal sources, the “auto colour “does not work.

Before adjusting, prepare the signal instruments such as DVD or K-8256 first, and find the video picture with gray and color bars. Then please change to desired source.

	source	Timing	Pattern	Notes
<b>1</b>	<b>ADC VGA</b>	<b>1024*768</b>	<b>gray-3color</b>	<b>For VGA source</b>
<b>2</b>	<b>ADC HDTV</b>	<b>720P</b>	<b>gray-3color</b>	<b>For Component Video</b>

Notes:

- a、 Press “M” button and enter factory mode.
- b、 Press “Menu” button and enter factory OSD menu.
- c、 Select the item “Auto Color” .
- d、 Press VOL+ button to auto color.

## LCD TV Service Manual

e、Close the OSD menu after 5 seconds.

### 5.2.2 Factory Option

Item 0	Item 1	Note
White Balance	R DRV	Red Driver adjust
	G DRV	Green Driver adjust
	B DRV	Blue Driver adjust
	R CUT	Red Cut adjust
	G CUT	Green Cut adjust
	B CUT	Blue Cut adjust
<b>Note: Before adjusting, please change to desired source. Different source has different WB values.</b>		
Set Channel	Zhong Shi	Qingdao Jiangxi Road factory
	Huang Dao	Huangdao Industrial Park
	Gui Yang	Gui Yang Industrial Park
	Liao Ning	Liao Ning Industrial Park
	Hungary	Hisense Hungary
	Australia	Hisense Australia
	France	Hisense France
Auto Color	For VGA and Component Video sources, WB values must be adjusted	And at others signal sources, the "auto colour "does not work.
Color Temp		Standard\cool\warm
Color Temp	R Offset	
	G Offset	
	B Offset	
Video Curve	Brightness Min	Min Brightness
	Brightness Mid	Mid Brightness
	Brightness Max	Max Brightness
	Contrast Min	Min Contrast
	Contrast Mid	Mid Contrast
	Contrast Max	Max Contrast s
	Saturation Min	Min Saturation
	Saturation Mid	Mid Saturation
Factory Option	To FAC	M-Can enter factory mode with factory RC or user RC. U-Can enter factory mode only with user's RC.
	Logo Option	Logo Selection
	OSD	Chinese English

## LCD TV Service Manual

	Scart	Yes or No
<b>MODE “M” is only used for factory production.</b>		
Version Info		
	Version:	Current Software version
	Date:	The date of current version
<b>Note:</b> Software version info of the TV, readable only.		
Clean Protected		Clean data except WB data and Auto Color data
Clean All		Clean all data

**Note:** The factory menu date varies according to different sources. In case changing the factory data by error, you can choose to “Clean Protected”, by which you can resume the default value.

**To clear the EEPROM:**

- a. Select the item “Clean All” .
- b. Press VOL+ button to clear the EEPROM data.
- c. Close the OSD menu after 5 seconds.
- d. Restart the TV.

### 5.3 Designer Menu

Item 0	Item 1	Item 2	Note
Designer Menu	Picture Mode	SOURCE	The current program source
		VIVID Brightness	Brightness of VIVID mode
		VIVID Contrast	Contrast of VIVID mode
		VIVID Saturation	Saturation of VIVID mode
		STD Brightness	Brightness of STD mode
		STD Contrast	Contrast of STD mode
		STD Saturation	Saturation of STD mode
		MOVIE Brightness	Brightness of Movie mode
		MOVIE Contrast	Contrast of Movie mode
		MOVIE Saturation	Saturation of Movie mode
Sound Mode	Volume Curve	Volume Min	When value is 1

## LCD TV Service Manual

			Audio out power before adjusting
		Volume 25	When value is 25 Think about the Audio out power before adjusting
		Volume Mid	When value is 50 Think about the Audio out power before adjusting
		Volume 75	When value is 75 Think about the Audio out power before adjusting
		Volume Max	When value is 100 Think about the Audio out power before adjusting
	Audio Mode	Audio Mode	Standard 、 user 、 Music 、 Speech, Music
		120HZ	Different frequencies for different Audio Mode
		500HZ	
		1.5kHz	
		5kHz	
		10kHz	

**The above “Factory/Service OSD Menu” are reference only, please refer to the actual units to determine the appearances.**

## 6 Software Upgrading

### The first upgrading method:

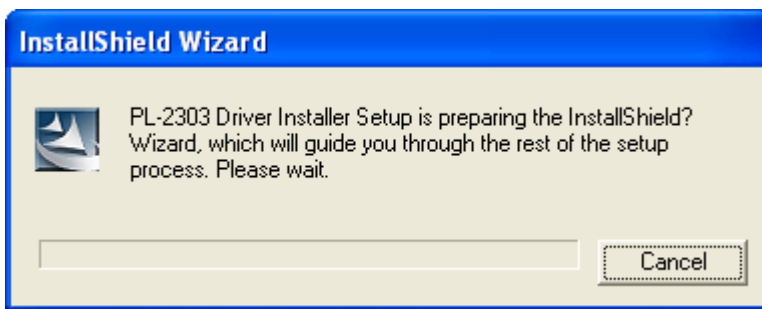
The software is upgraded by a burning tool-MtkTool, which can burn the program file \*.bin to the main board of the unit.

### 6.1 Get ready for upgrading

#### 6.1.1 Install the driver



Double click the icon MTKtools2.44.04+cp210xDriver.rar , install the driver.



Select the default value, the driver will be installed step by step.

#### 6.1.2 Hardware connecting

Connect the unit to your pc with a USB-to-serial port cable. USB port connects to your pc, and serial port to the TV's RS232 port.

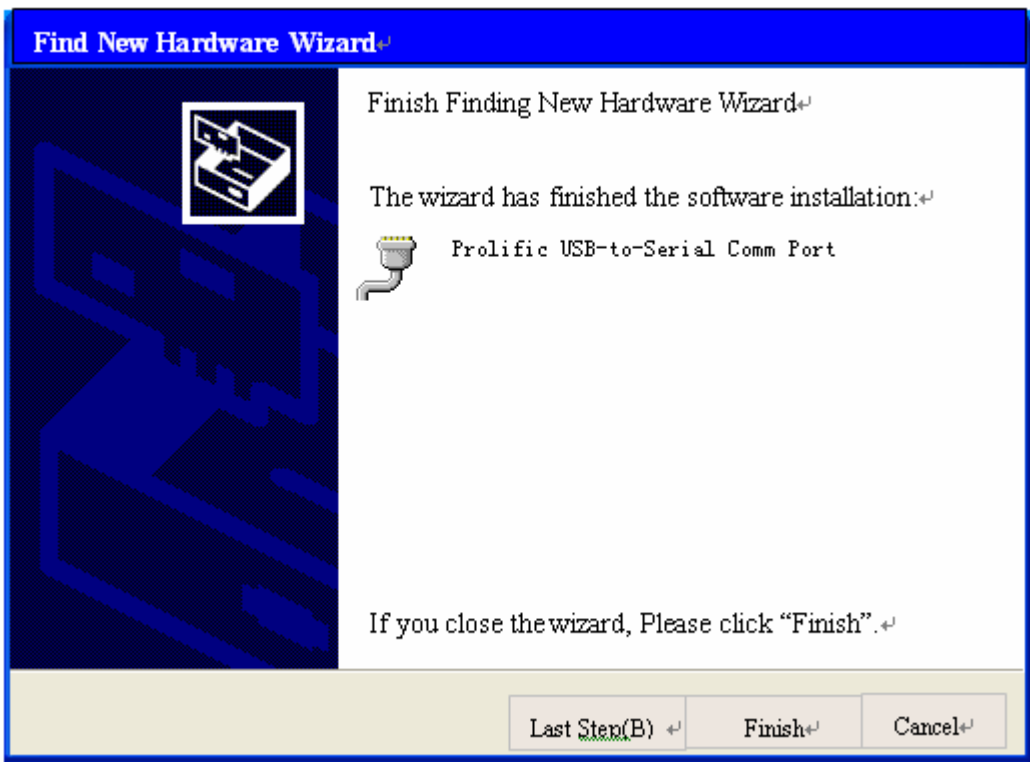
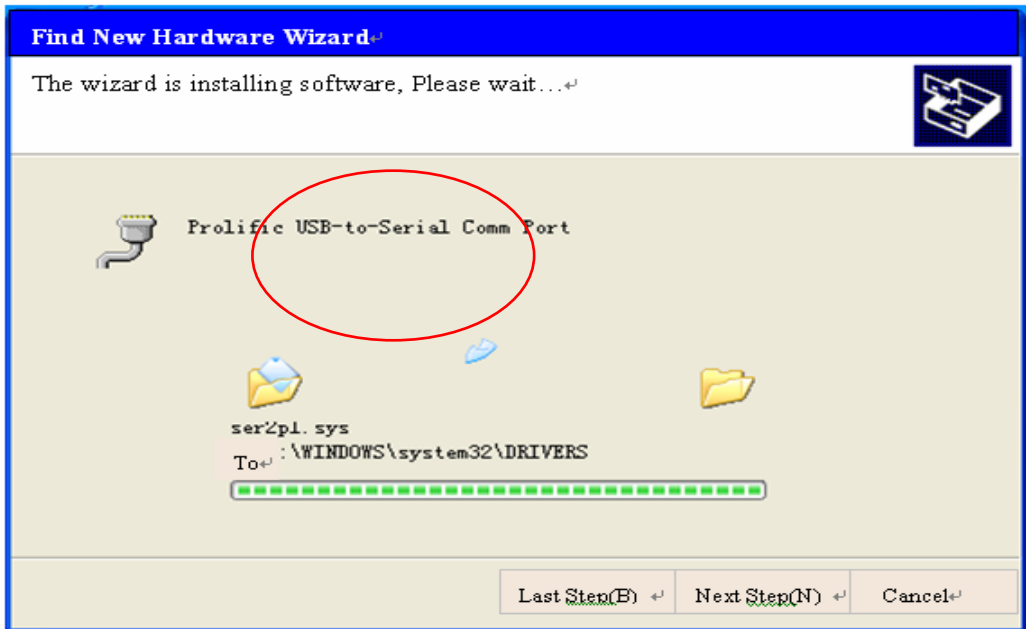


USB connector: to PC.

Serial connector: to TV's RS232 port.

## LCD TV Service Manual

For the first connecting, the pc will recognize and automatically install the USB device. The process is just like the installation of a mini disk, see the following picture.



## 6.2 Upgrading with the MtkTool

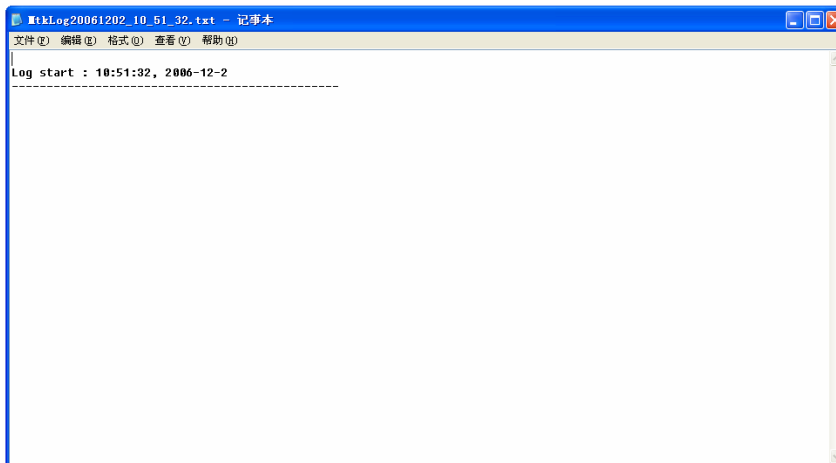
Mtktool is a green program needing no installation. It is saved in the folder




. There are five folders/files in this folder altogether.

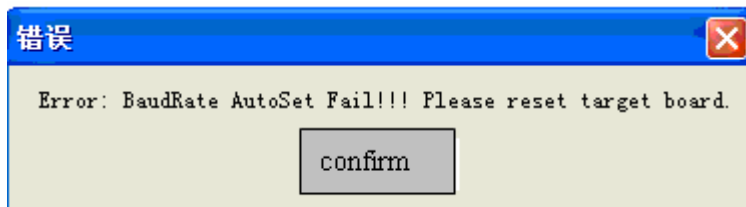


The MtkTool using log is restored in the MtkLog folder. It records the running time and date whenever the tool is used. The log will be a txt file named by the date and time.



After connecting the TV with your PC, double click  icon, open the MtkTool.

If following error appears, it means the related port is not be set properly.



Ignore these errors, click “Confirm” and enter the MtkTool main interface, see the following picture.

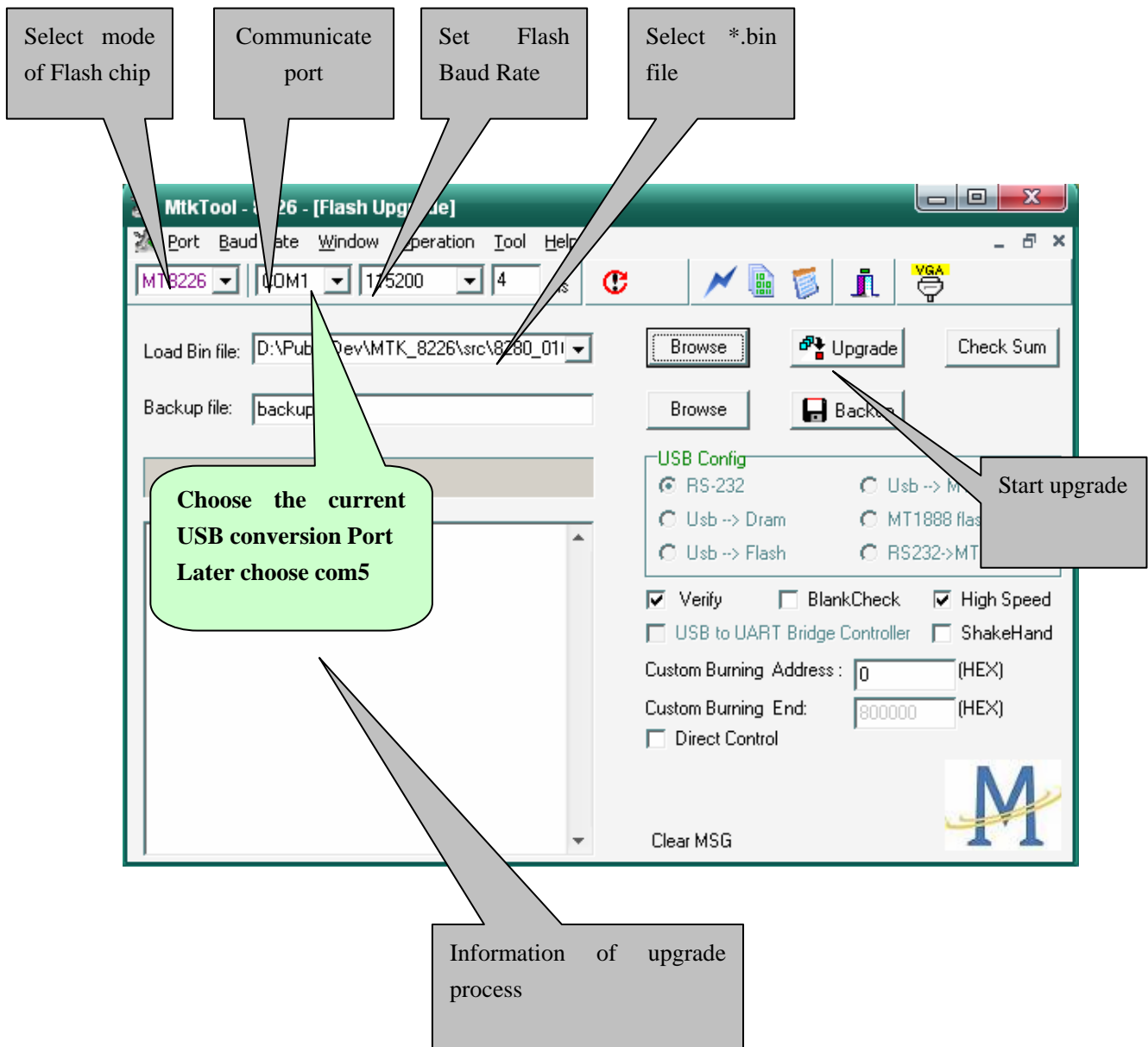
Flash chip model

Please refer to follow steps to update the software:

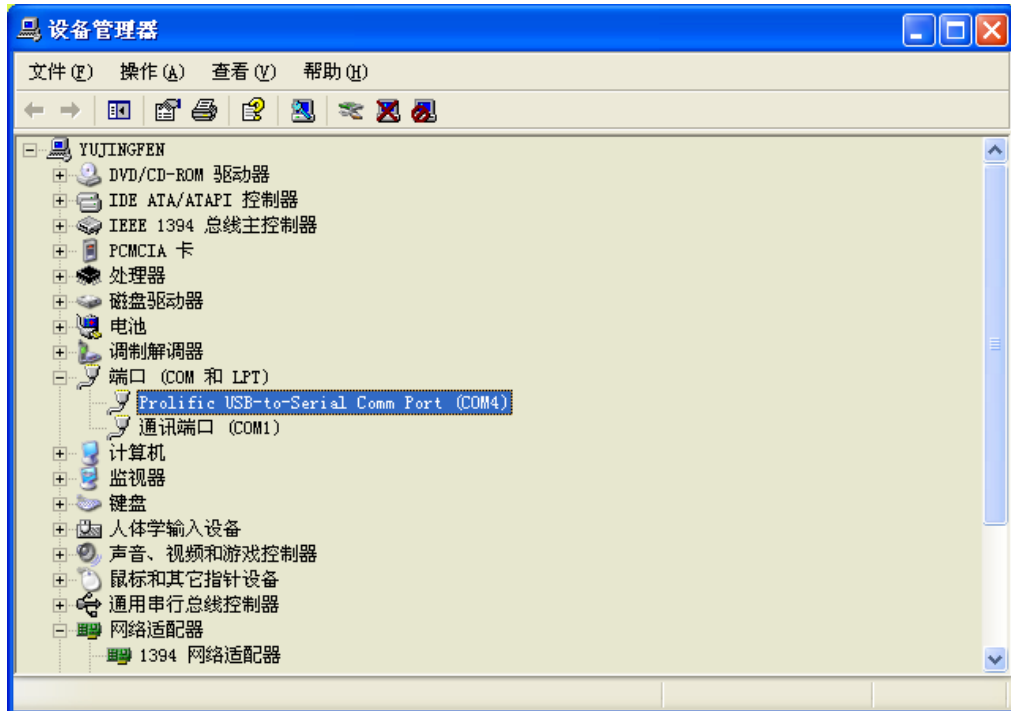
1—Select mode of Flash chip to MT8226 as the below picture.

## LCD TV Service Manual

- 2—Refer to the next page instruction to select the communicate port.
- 3—Press the icon beside the baud rate and make sure it is green as the below picture.
- 4—Set the flash baud rate to 115200 as the below picture.
- 5—Click the browse button to select the \*.bin file that will be updated.
- 6—Click the “start” button to update software.



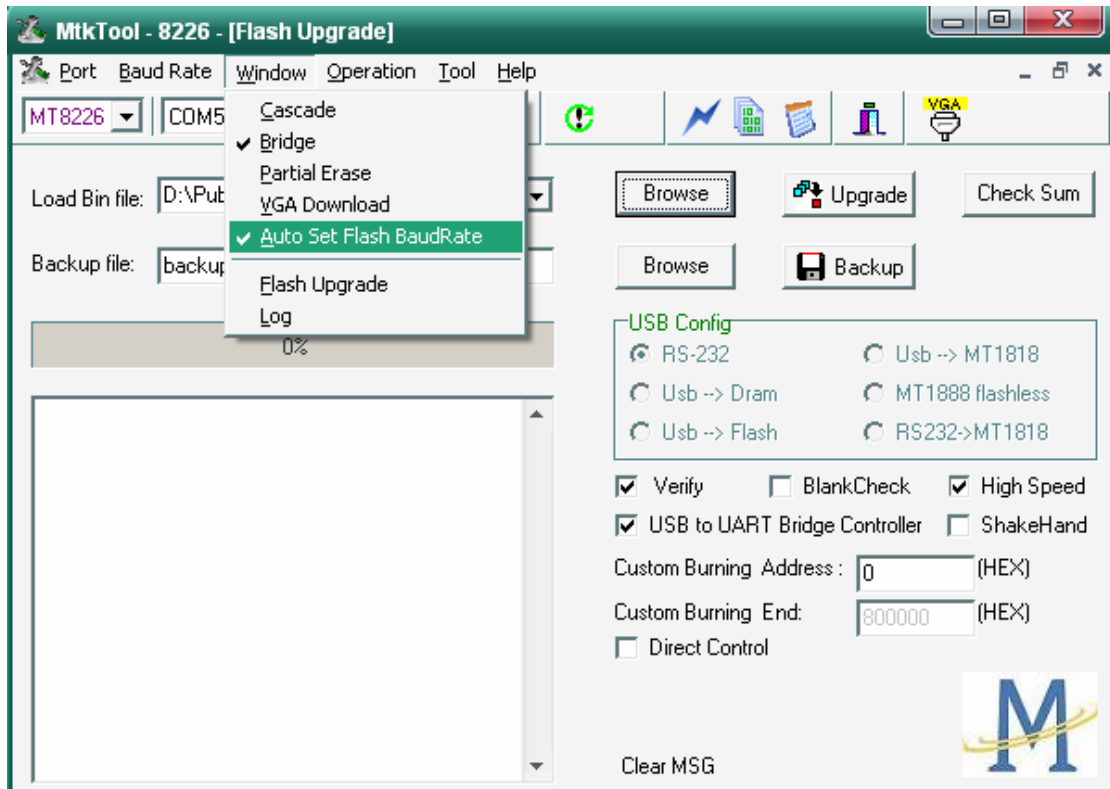




Open “Device Manager” and find which port is connected with the TV. In this operation, COM5 is connected to the TV; so, select “COM5” in the MtkTool main interface. Select the right baud rate according to chip model. For this unit( chip model is MT8226), select 115200..So choose “Auto Set Flash BaudRate”

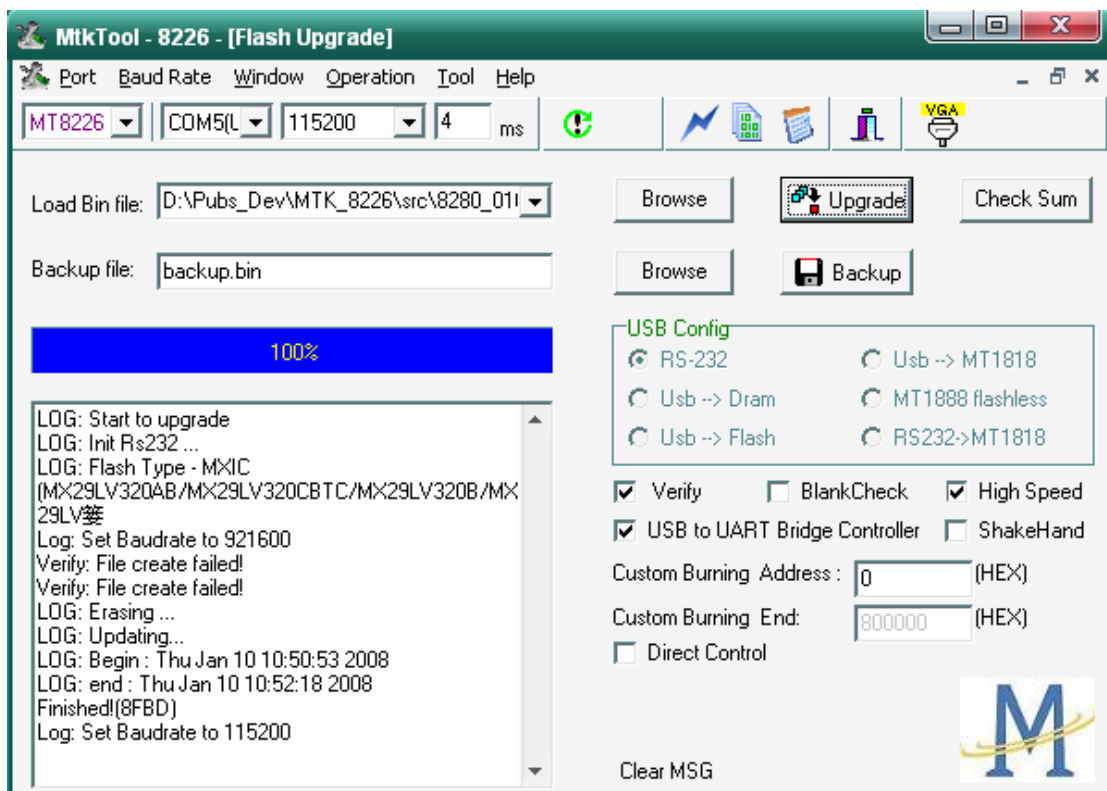
**Note:** Whether or not click the “Auto Set Flash Baud Rate” in the “window” menu depends on the chip type. If the flash chip does not support high speed transport, do not select this option; otherwise, reserve the selected mood.

## LCD TV Service Manual



Click “Browse” button, find the upgrading program file, and select it. Press “Upgrade” button and start upgrading.

The following interface appears on the screen, indicating upgrading successfully.



### 6.3 Update with USB directly

The second update method is with USB directly:

MTK8222 Series can update with USB, the software name should be **HISENSE.bin**.

The Updating Steps is set the Source to "DMP interface", insert the USB(the update file **HISENSE.bin**,which should be in root directory),The TV automatic identify the upgrading software. step by step according as the informations of the upgrading process.



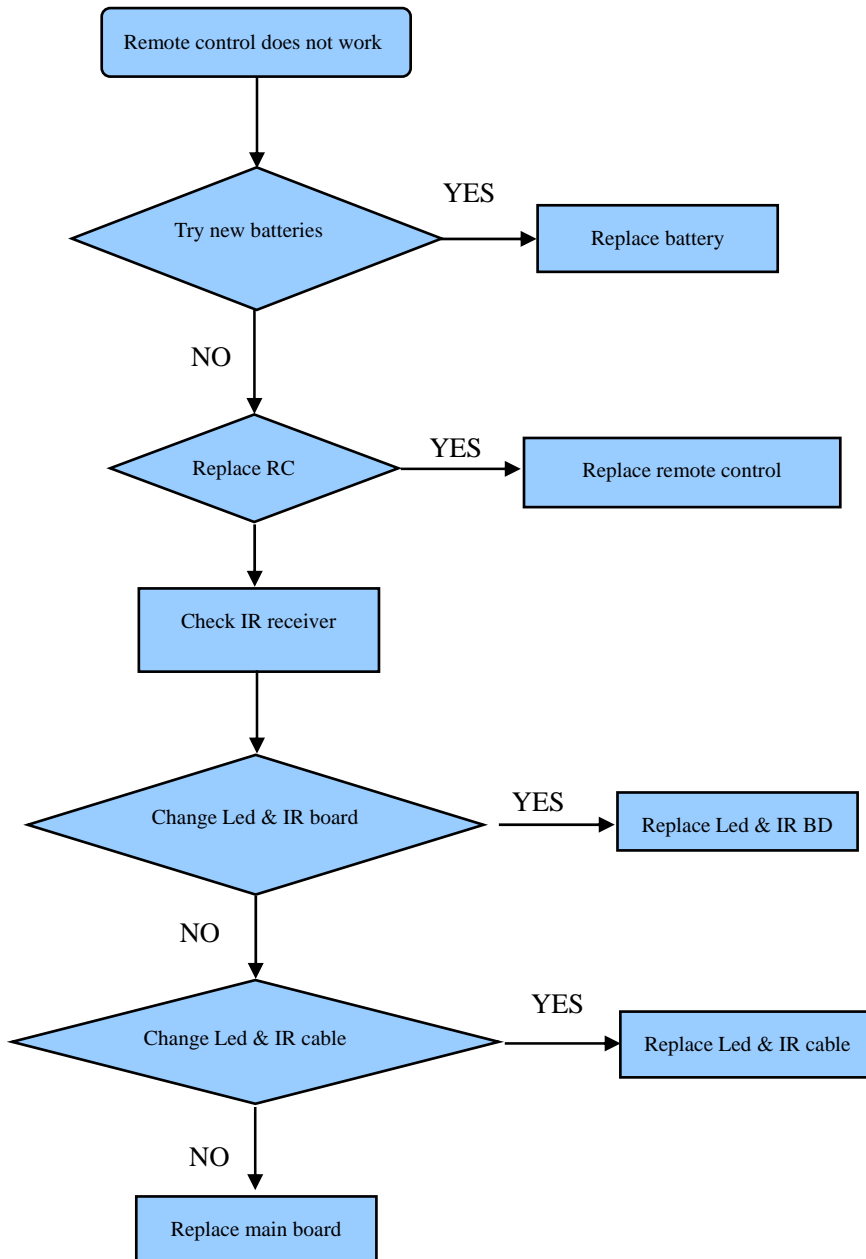
(USB to the Main board directly)



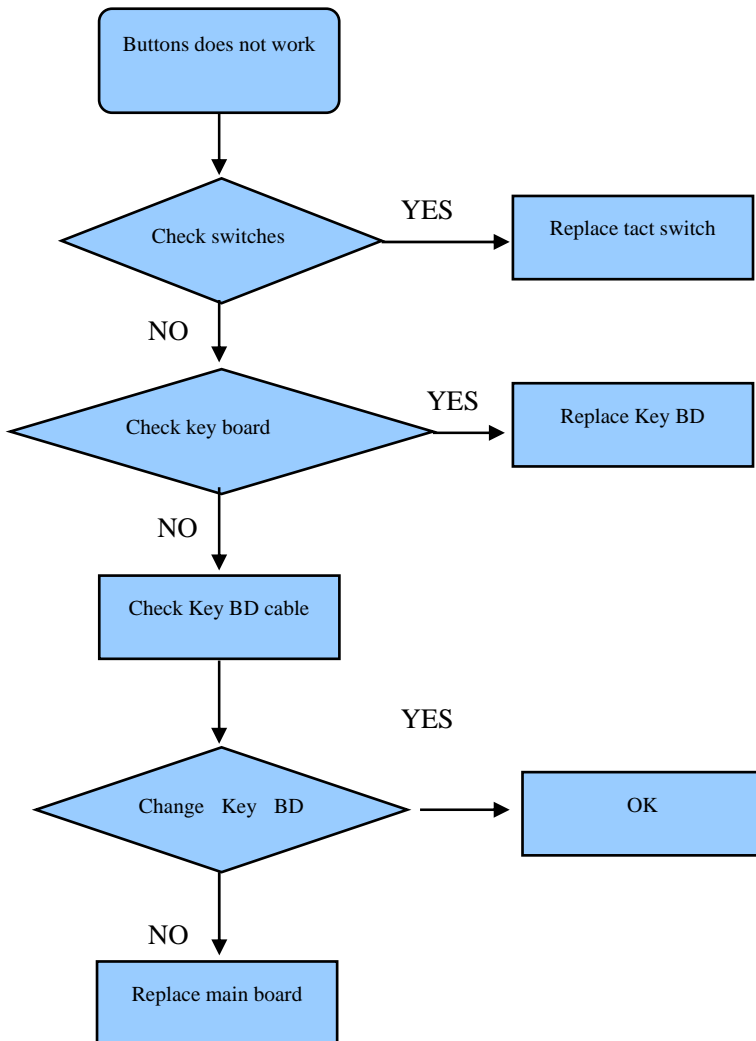
**After upgrading, you must confirm the software in the Factory Menu and you'd better "CLEAR UNPROTECTLY".**

## 7. Troubleshooting

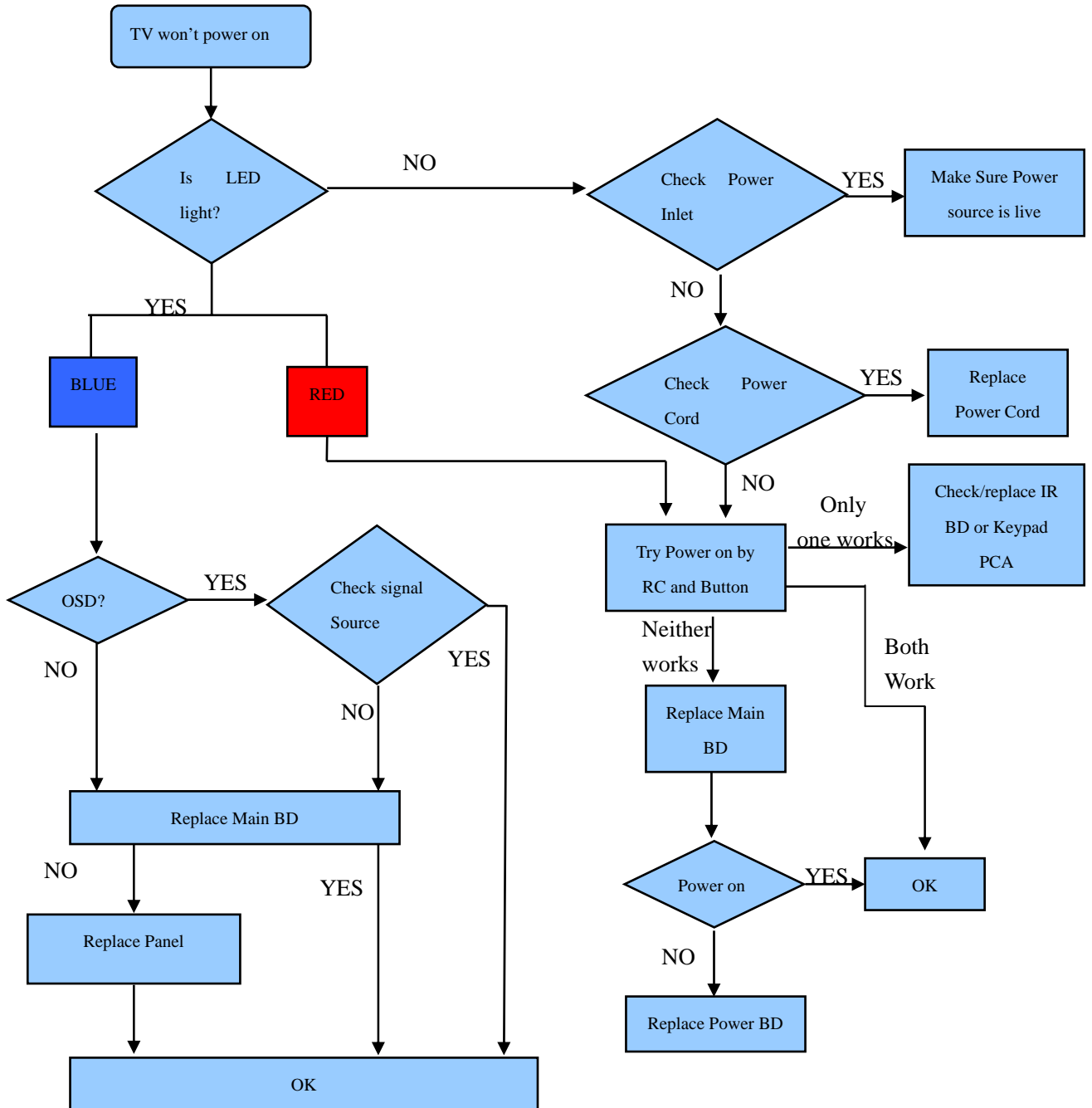
### 7.1 Troubleshooting for Remote Control



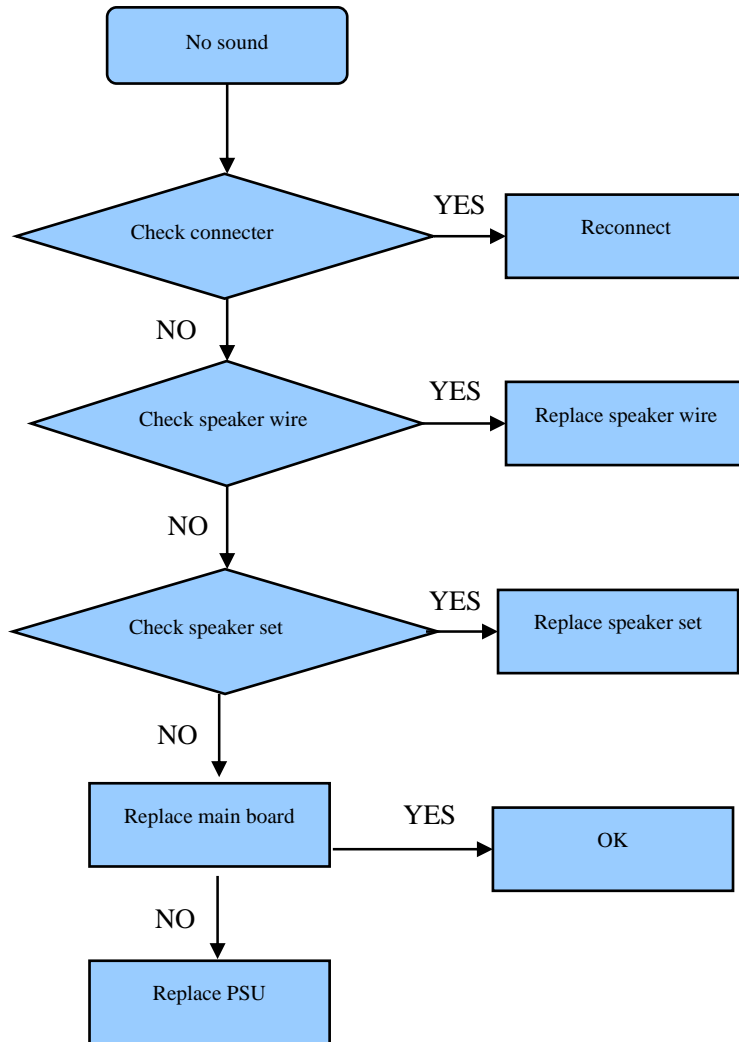
## 7.2 Troubleshooting for Function Key



### 7.3 TV won't Power On

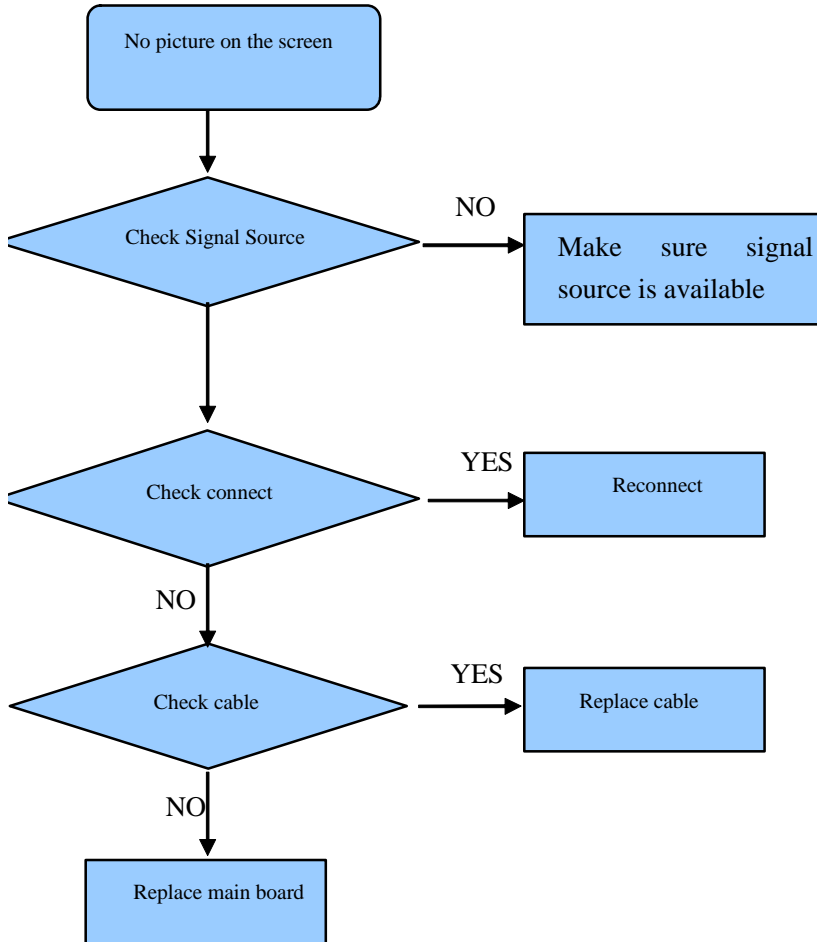


## 7.4 Troubleshooting for Audio

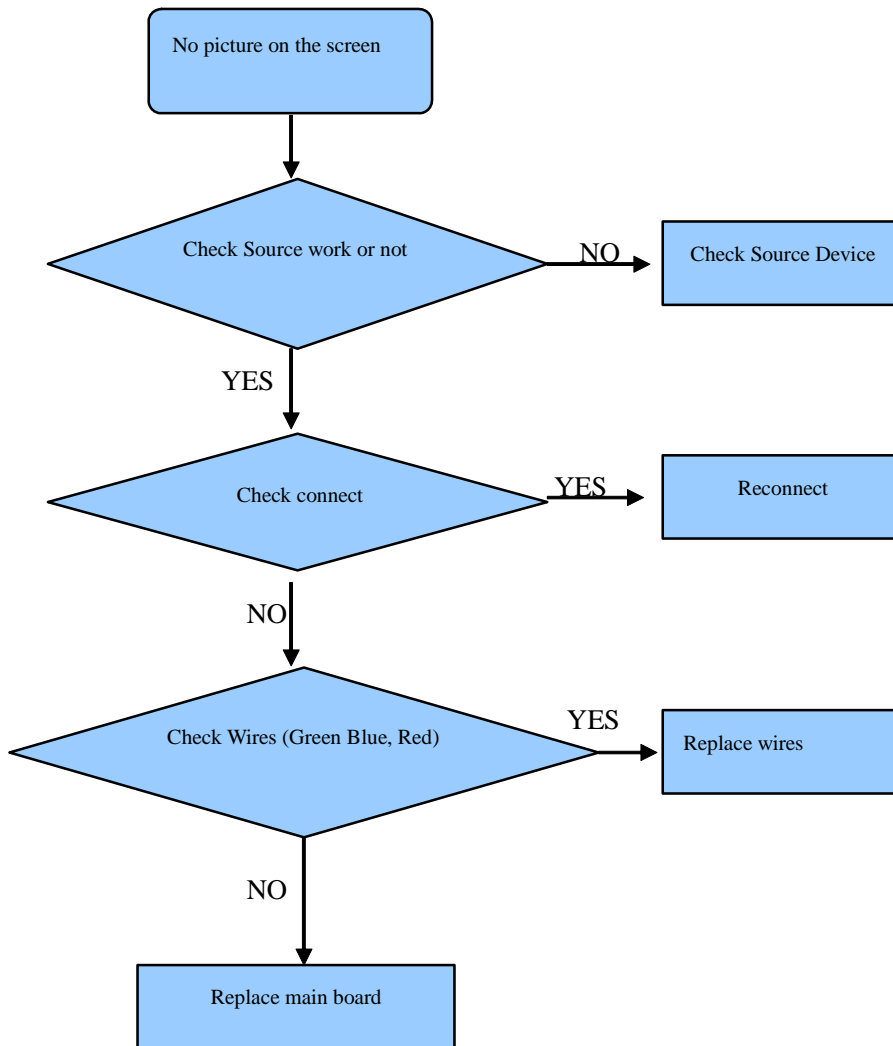




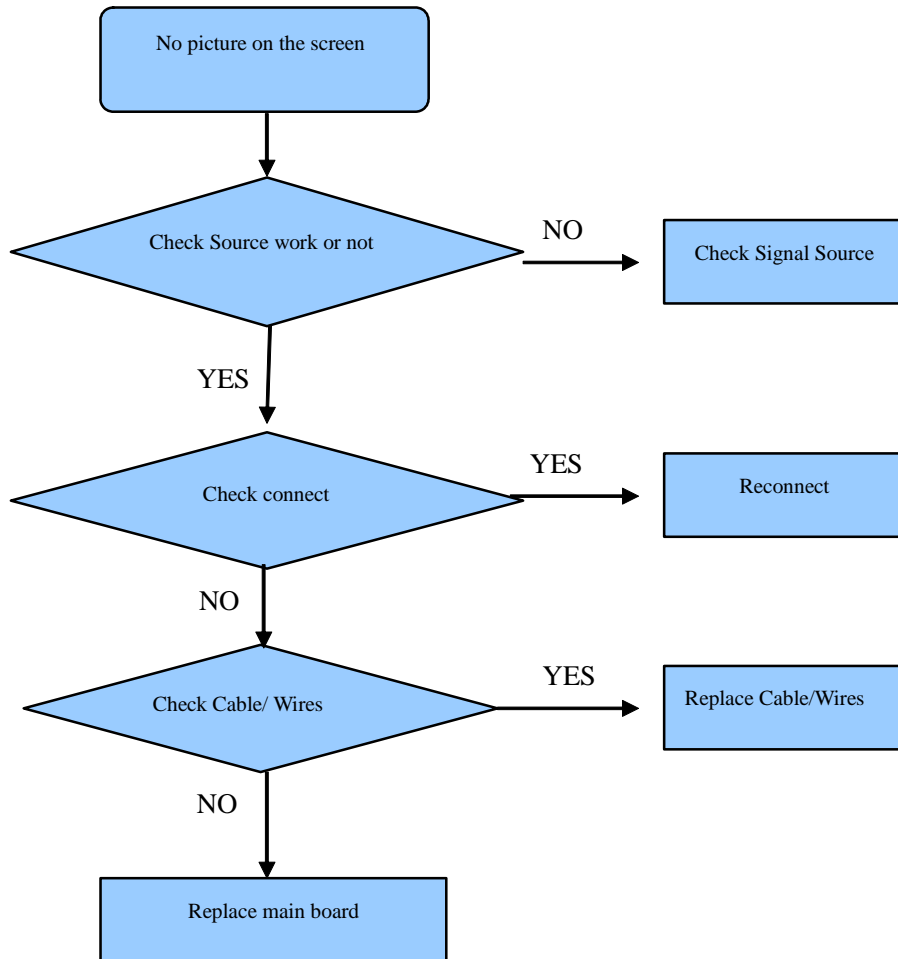
## 7.5 Troubleshooting for TV/VGA/HDMI input



## 7.6 Troubleshooting for YPbPr input



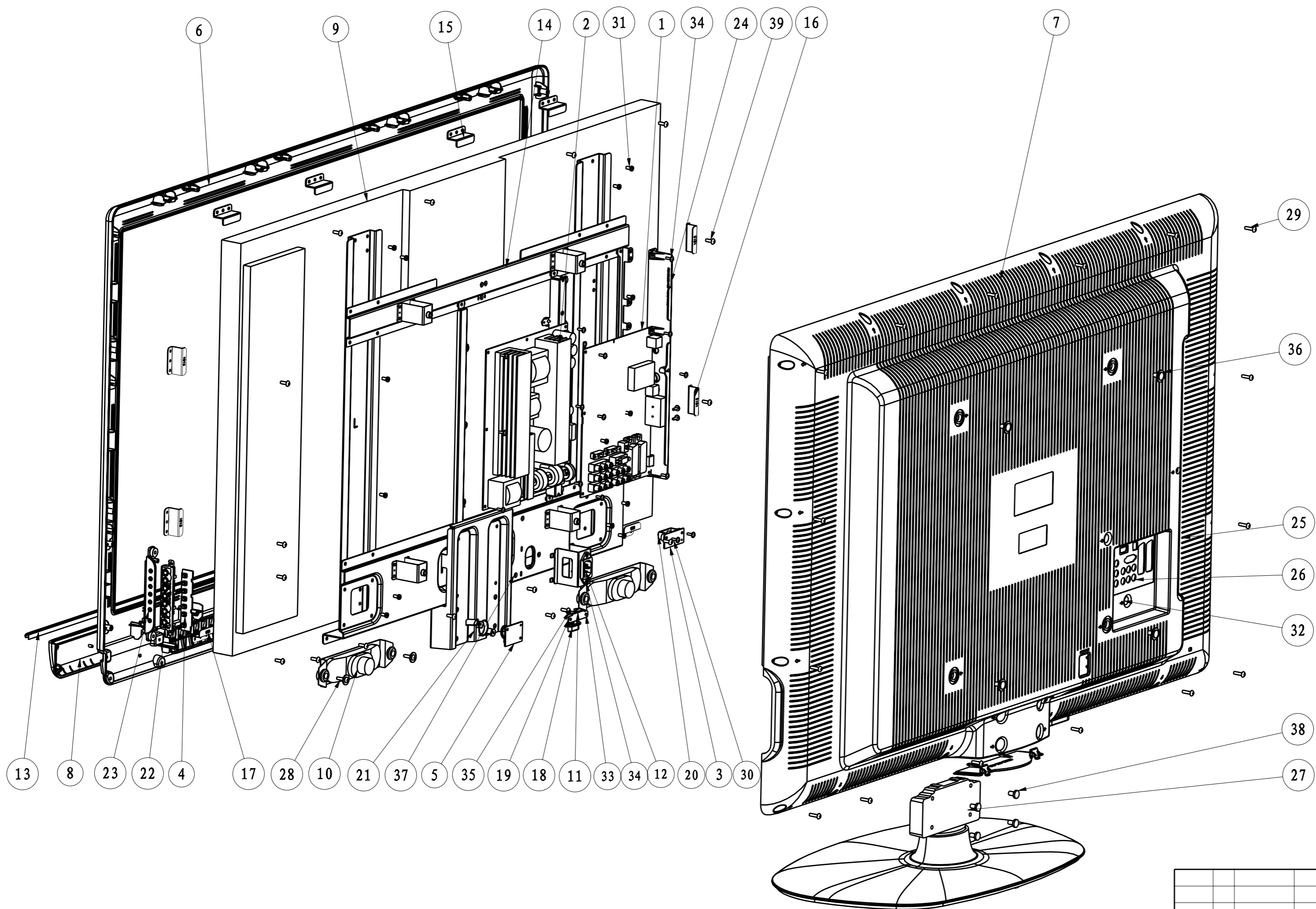
### 7.7 Troubleshooting for Video/S-Video input



## **8. Explode View**

## **9. Schematic circuit diagram**

RSAG2.025.1410



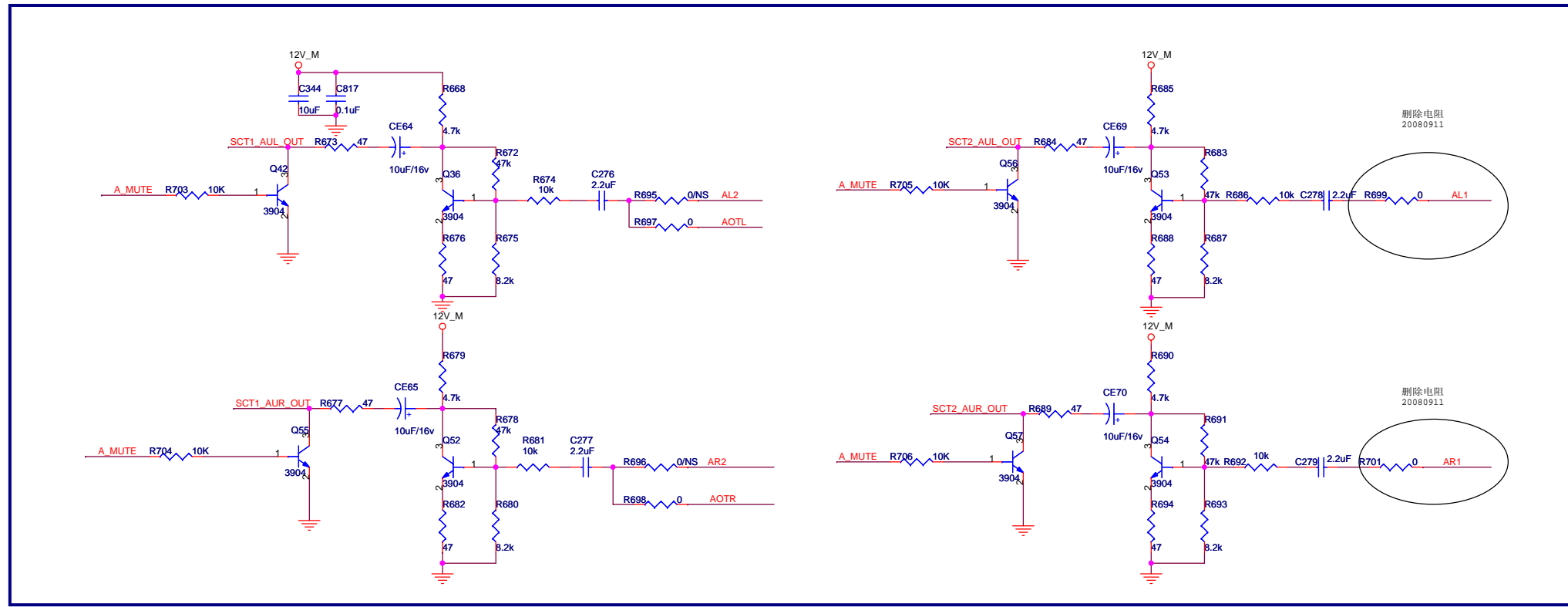
39	Screw	18	SJ2824-87 ST4X12F	
38	Screw	4	GB/T 818-2000 M6X12	
37	Screw	2	SJ2836-87 M4X8	
36	Screw	4	SJ2834-87 M6X12. III	
35	Screw	2	SJ2822-87 ST3X10F	
34	Screw	13	SJ2832-87 ST3X8	
33	Screw	2	SJ2836-87 M3X8	
32	Screw	3	GB/T 818-2000 M4X8	
31	Screw	12	GB/T 818-2000 M4X6	
30	Screw	15	SJ2825-87 ST3X12C	
29	Screw	16	SJ2824-87 ST4X14F	
28	Screw	4	SJ2838-87 ST4X16C. II	
27	Base Unit	1	RSAG6.121.059	
26	Scutcheon	1	RSAG8.804.3401	
25	Scutcheon	1	RSAG8.804.3400	
24	Terminal Bracket	1	RSAG8.081.488	
23	Bracket	1	RSAG8.078.481	
22	Key	1	RSAG8.335.067	
21	Ornament	1	RSAG6.434.014	
20	Lens Led	1	RSAG8.640.056	
19	Bracket	1	RSAG8.038.1055	
18	Button	1	RSAG8.337.058	
17	Bracket	2	RSAG8.038.091	
16	Bracket	4	RSAG8.038.1013	
15	Bracket	4	RSAG8.038.962	
14	Bracket Unit	1	RSAG4.114.095	
13	Ornament	1	RSAG8.647.269	
12	Electrical Outlet	1	HF-301\ROH	
11	Power Switch	1	KDC-A04&KDC-A04-2	
10	Speaker	2	YDT415E-10W8R-F	
9	LCD Panel	1	LC470WUN-SBC1\JK	
8	Panel	1	RSAG8.642.042	
7	Back Cover	1	RSAG8.074.636	
6	Front Cover	1	RSAG8.074.515B	
5	Light Board Unit	1	RSAG2.908.1279-1	
4	Key Board Unit	1	RSAG2.908.1088	
3	IR Board Unit	1	RSAG2.908.1029-2	
2	Power Board Unit	1	RSAG2.908.1131-2	
1	Main Board Unit	1	RSAG2.908.1497-1	

序号 名称 数量 代号 备注

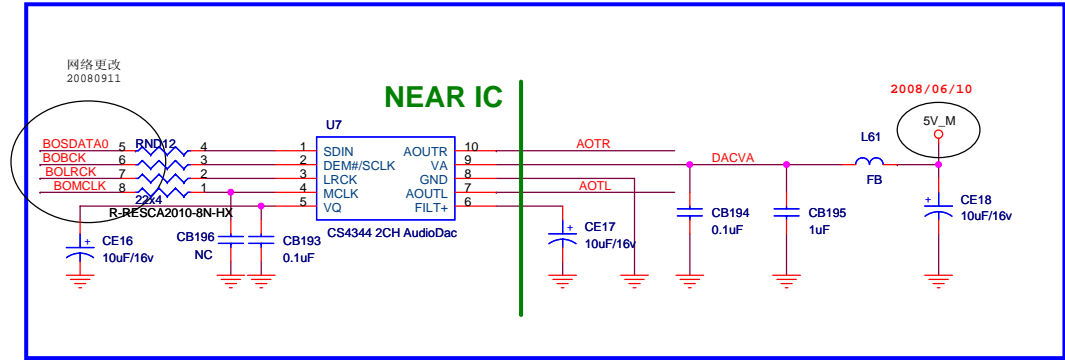
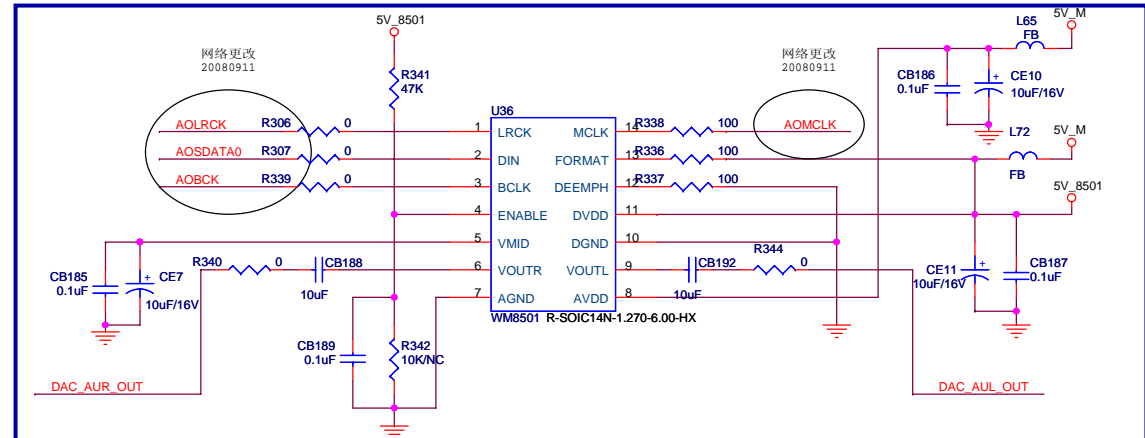
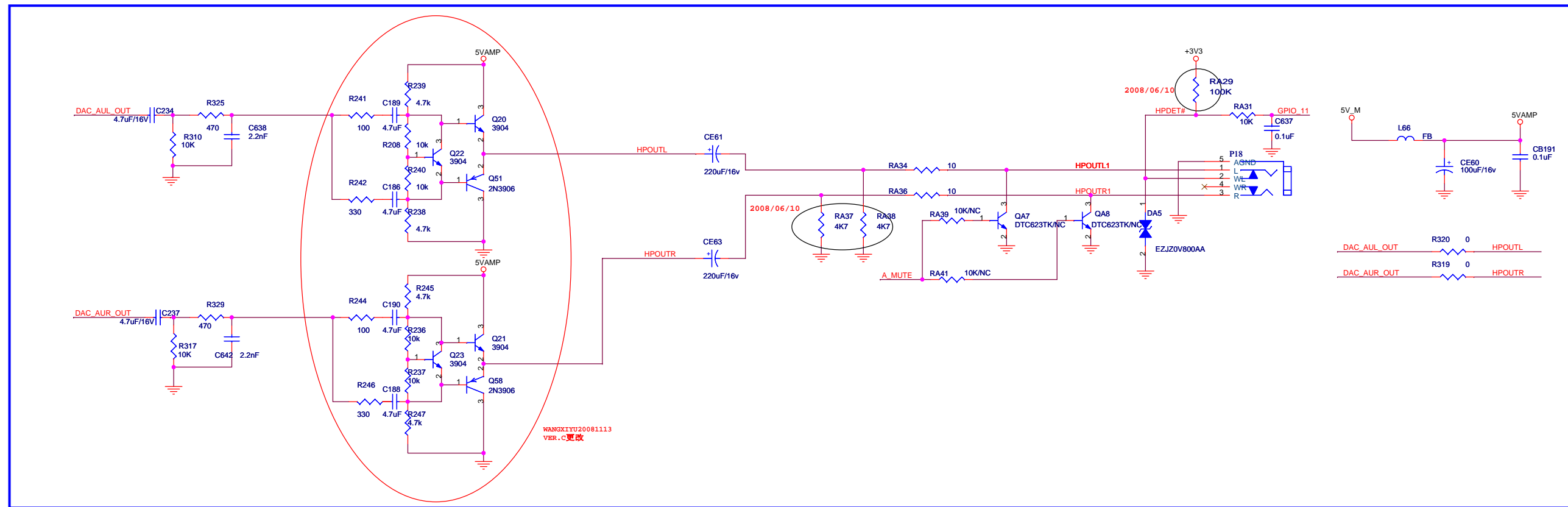
更改标记	数量	更改单号	签名	日期
设计				
审核				
工艺				
标准化				
批准				

爆炸图 LCD47P69GPAM			RSAG2.025.1410		
			阶段标记	质量	比例
				1: 5	
			第 1 页	共 1 页	
			青岛海信电器股份有限公司		

旧底图总号  
底图总号  
签名

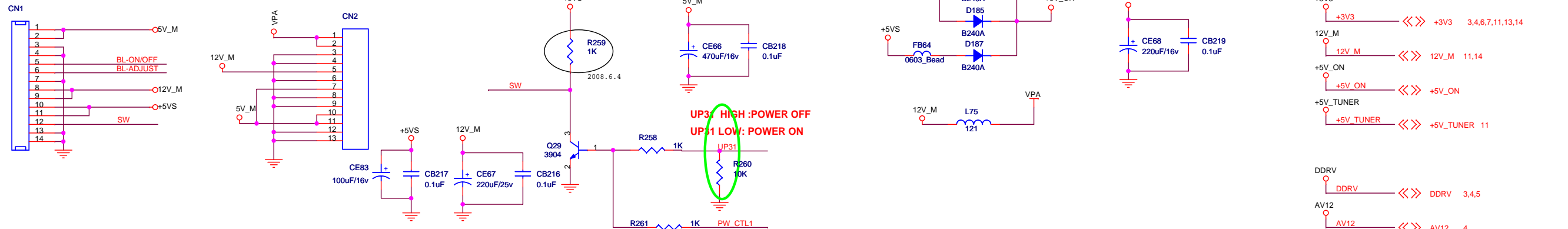


- 5V\_M <<> 5V\_M 2,3,6,8,12,14
- 12V\_M <<> 12V\_M 2,11,14
- +3V3 <<> +3V3 2,3,4,6,7,11,14
- OFF\_MUTE <<> OFF\_MUTE 3,14
- A\_MUTE <<> A\_MUTE 14
- GPIO\_11 <<> GPIO\_11 3
- SCT1\_AUR\_OUT <<> SCT1\_AUR\_OUT 10
- SCT1\_AUL\_OUT <<> SCT1\_AUL\_OUT 10
- SCT2\_AUR\_OUT <<> SCT2\_AUR\_OUT 8,10
- SCT2\_AUL\_OUT <<> SCT2\_AUL\_OUT 8,10
- DAC\_AUL\_OUT <<> DAC\_AUL\_OUT 14
- DAC\_AUR\_OUT <<> DAC\_AUR\_OUT 14
- AOSDATA0 <<> AOSDATA0 3,6,12
- AOBCK <<> AOBCK 3,12
- AOLRCK <<> AOLRCK 3,12
- AGMCLK <<> AGMCLK 3,12
- GND <<> GND 2,3,4,5,6,7,8,9,10,11,12,14
- AR1 <<> AR1 3
- AL1 <<> AL1 3
- AR2 <<> AR2 3
- AL2 <<> AL2 3
- BOSDATA0 <<> BOSDATA0 3,6
- BOBCK <<> BOBCK 3,6
- BOLRCK <<> BOLRCK 3,6
- BOMCLK <<> BOMCLK 3,6



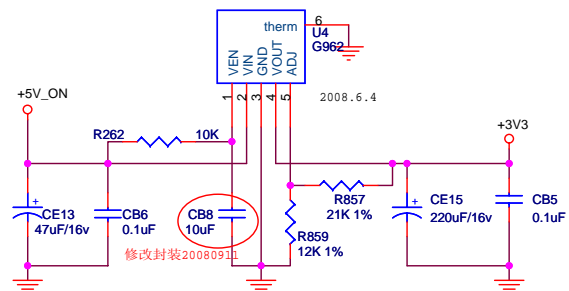


MAIN POWER



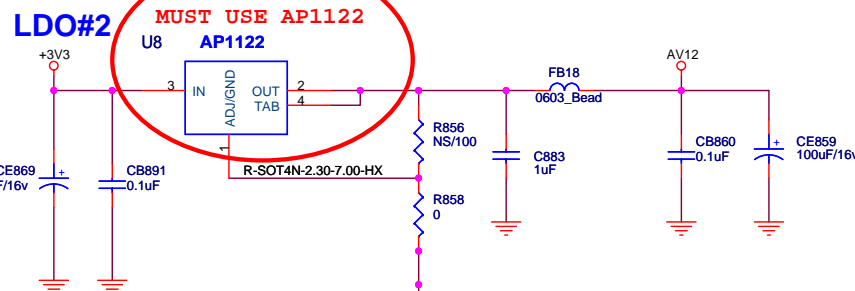
Power for MT8222 only ( Always on )

LDO#1



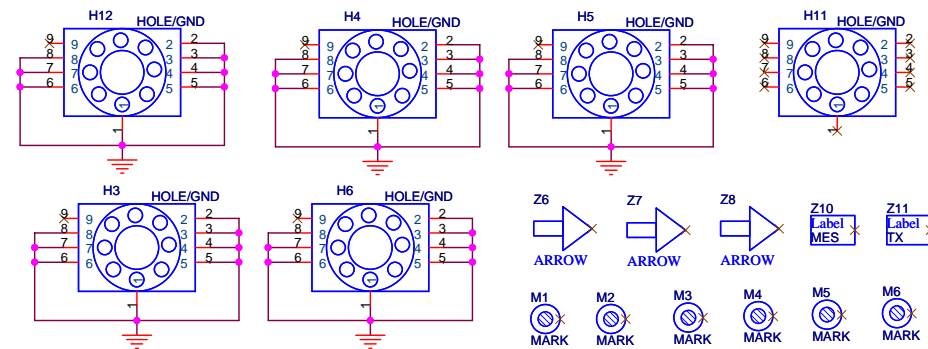
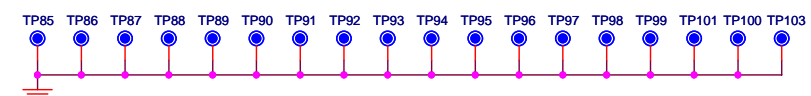
1.2 x (21K+12K)/12K = 3.3V  
 5V to 3.3V  
 Estimated Power consumed : ??? A

LDO#2

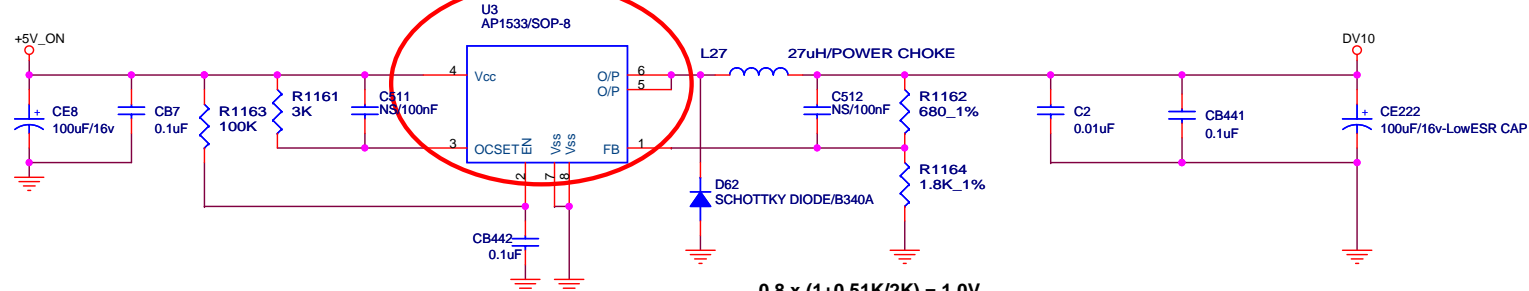


3.3V to 1.2V  
 Estimated Power consumed : ??? A

Test GND Pin ( Spread Around PCB )



Switch Regulator Core Power 1.0V MUST USE AP1533

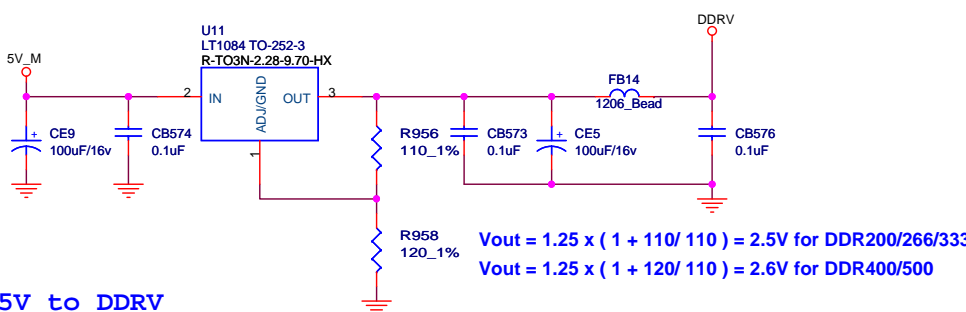


5V to 1.0V  
 Estimated Power consumed : ??? A

$0.8 \times (1 + 0.51K/2K) = 1.0V$

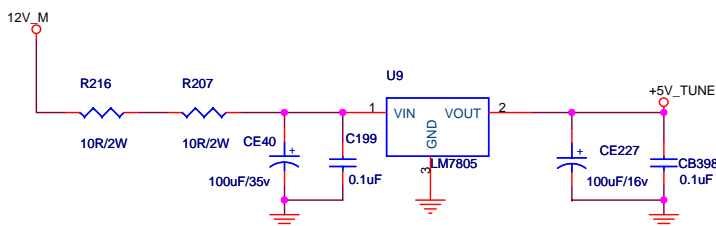
Works at normal mode

LDO#3



5V to DDRV  
 Estimated Power consumed : ??? A

$V_{out} = 1.25 \times (1 + 110/110) = 2.5V$  for DDR200/266/333  
 $V_{out} = 1.25 \times (1 + 120/110) = 2.6V$  for DDR400/500



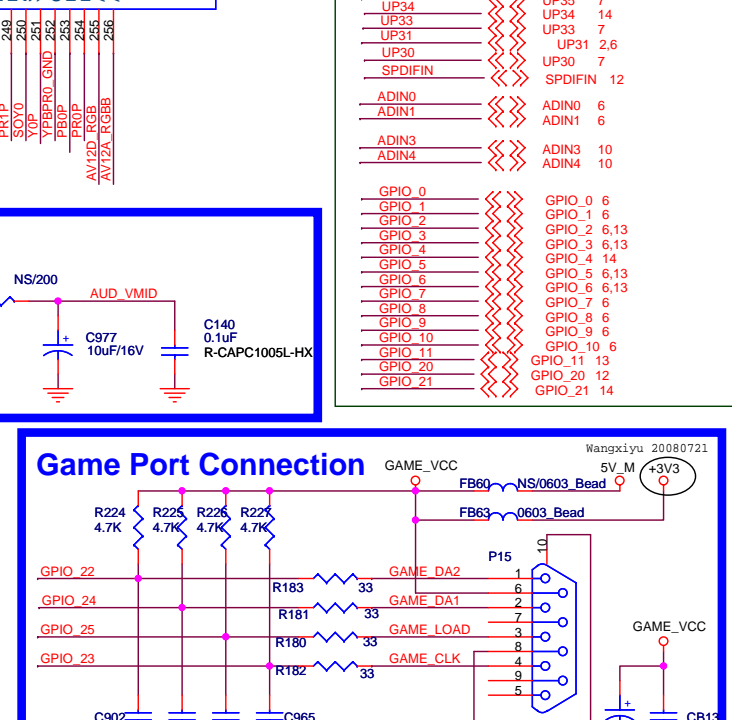
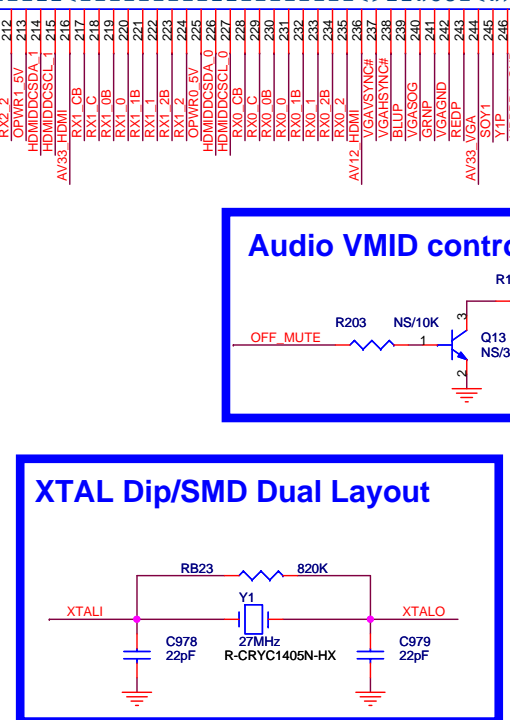
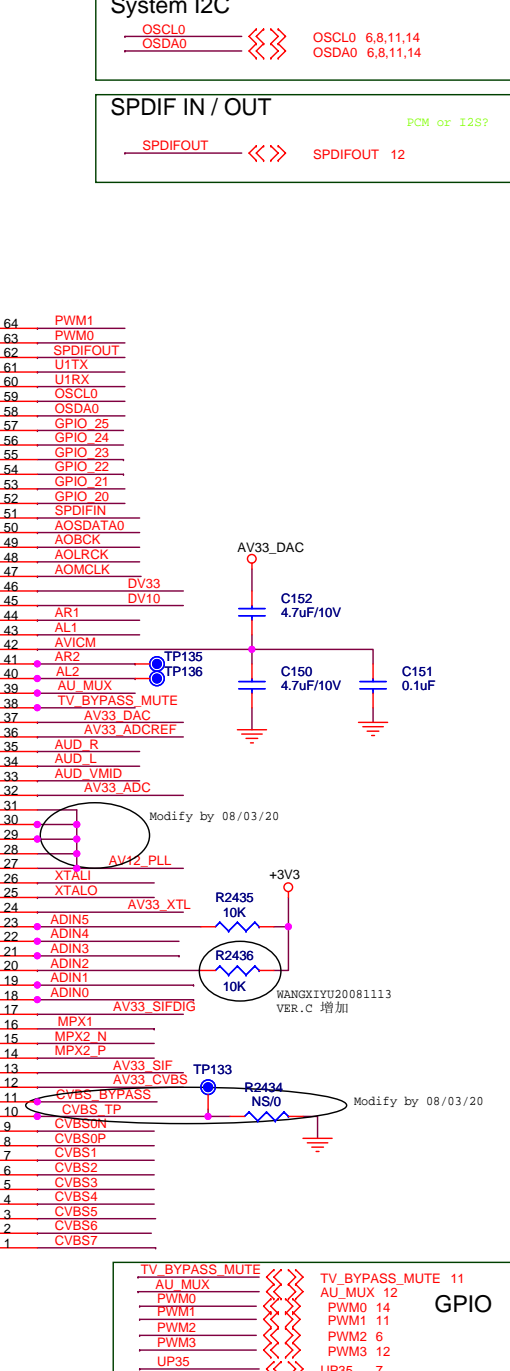
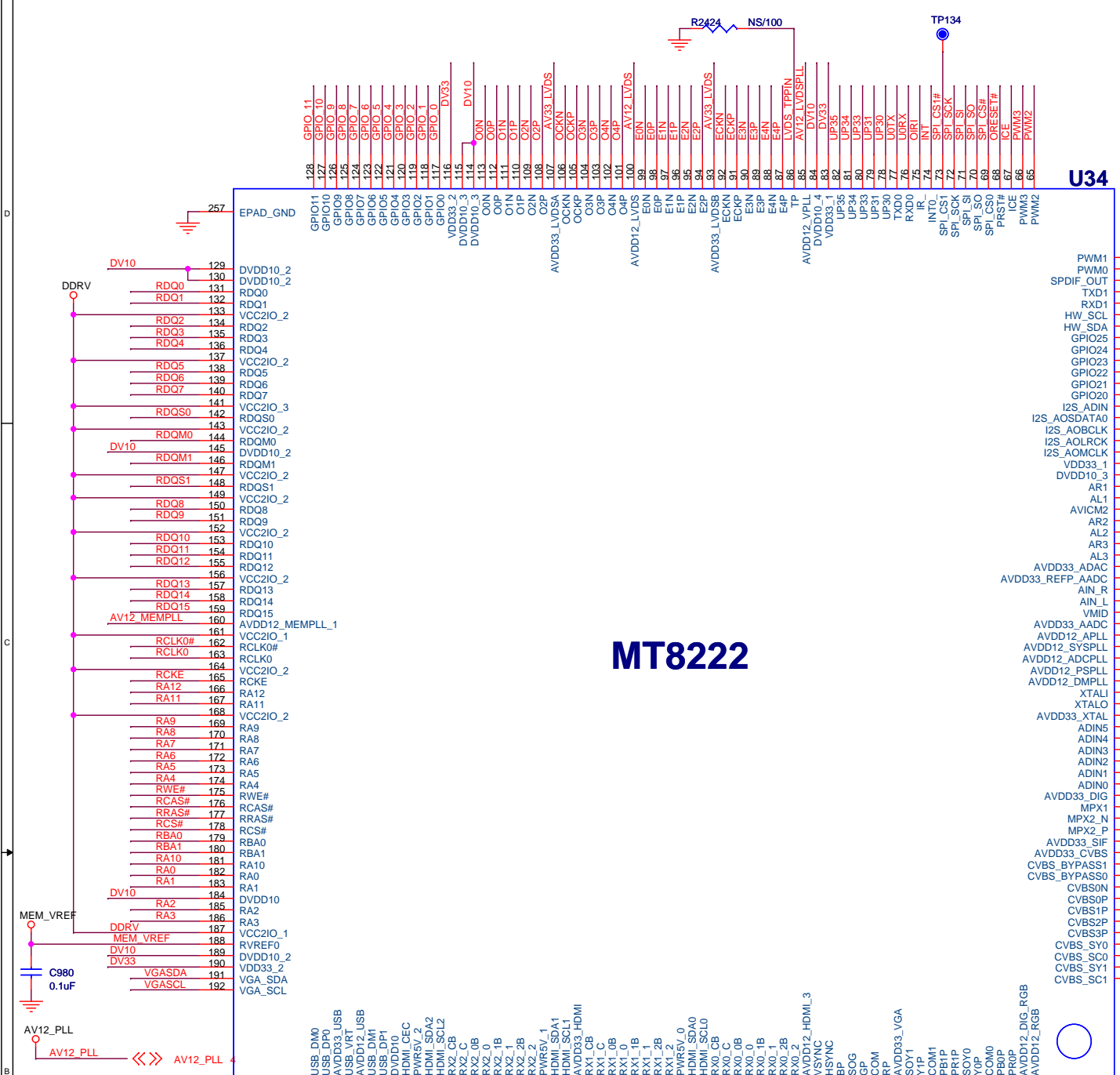
12V to 5V  
 For Tuner 5V power

If use sdr ,NC FB14  
 If use ddr ,NC FB14

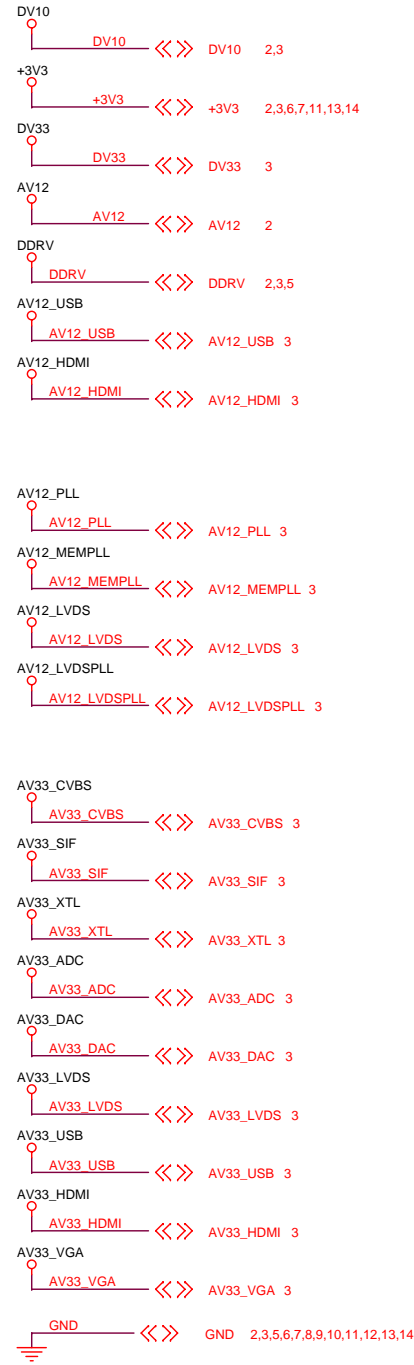
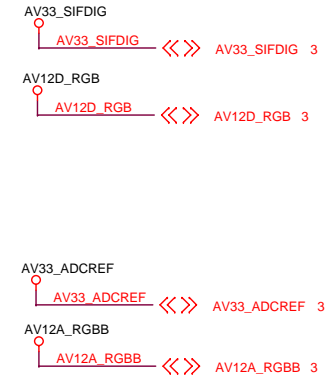
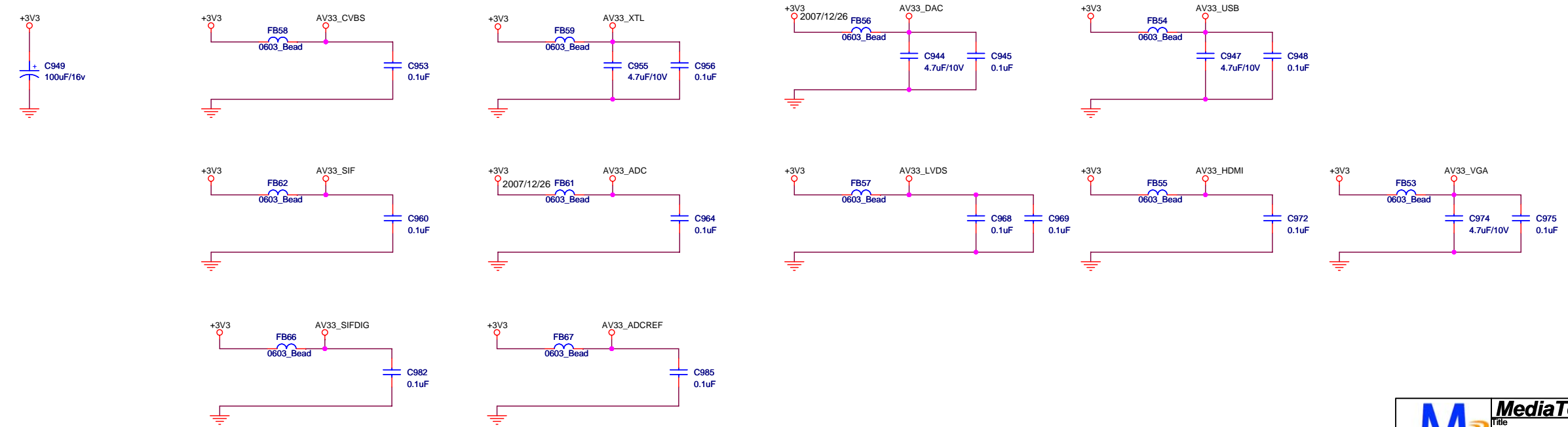
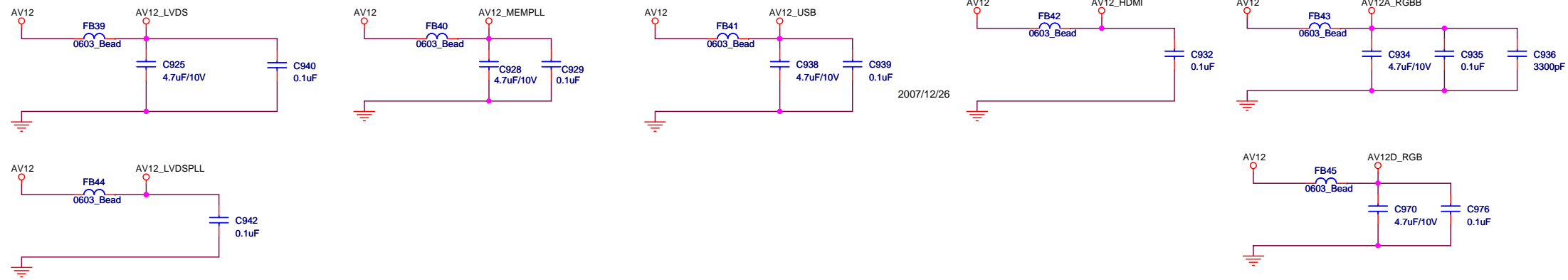
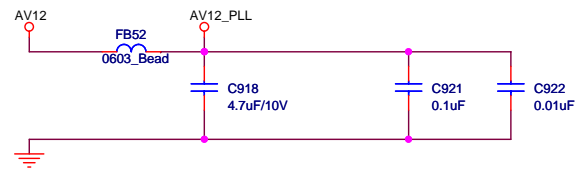
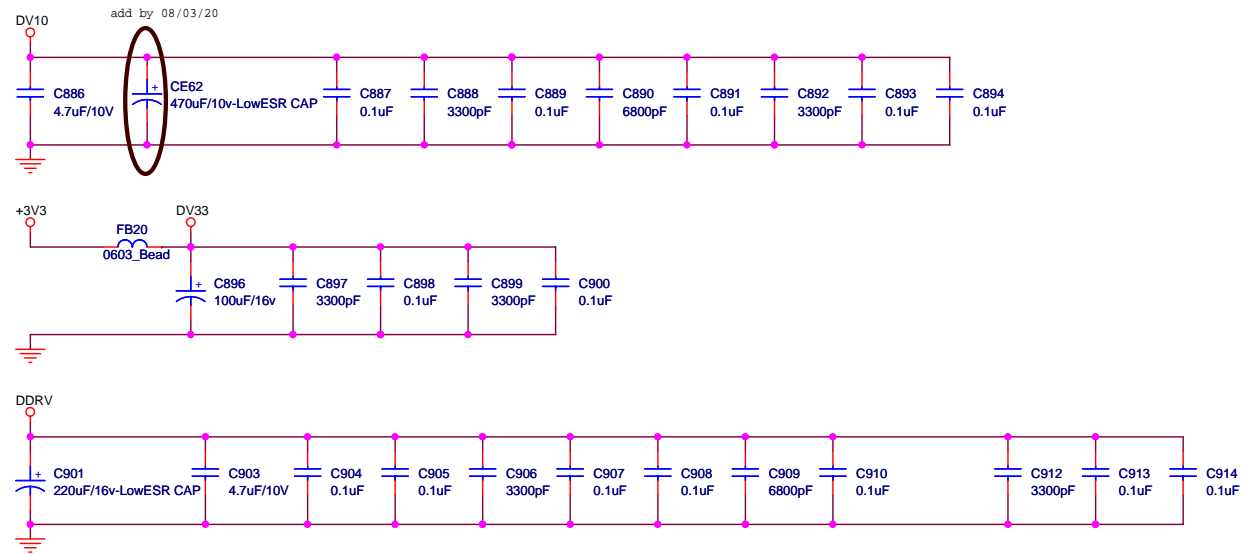
MediaTek Confidential

				<b>MediaTek (ShenZhen) Inc.</b>	
				<b>Power LDO</b>	
Size	Document Number	Drawn: Jiu.Ni	Rev	1	
C	HISENSE_MT8222_EU	Sheet	2	of 14	
Date:	2008/1/25				





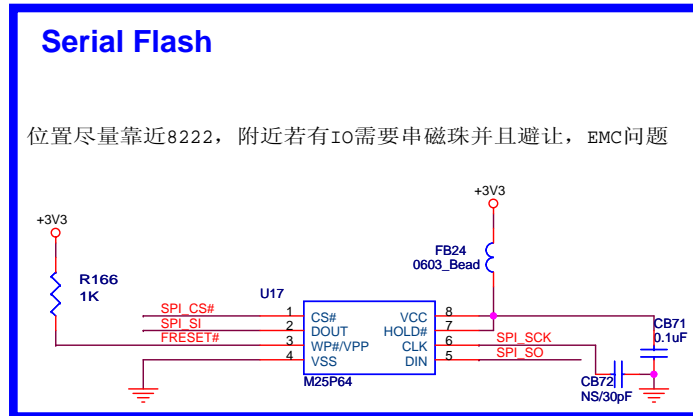
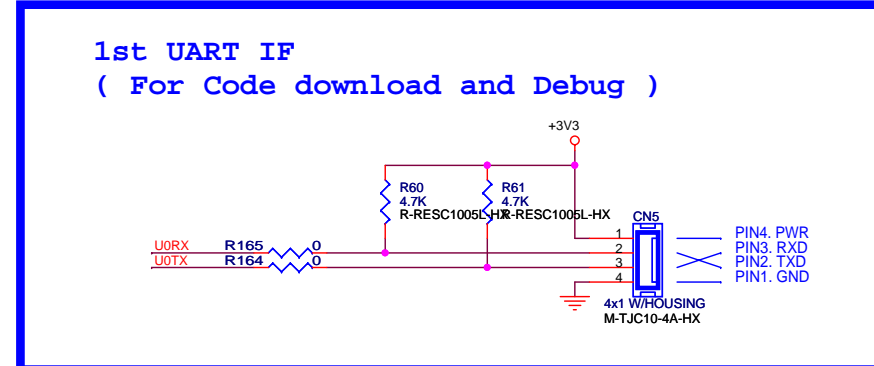
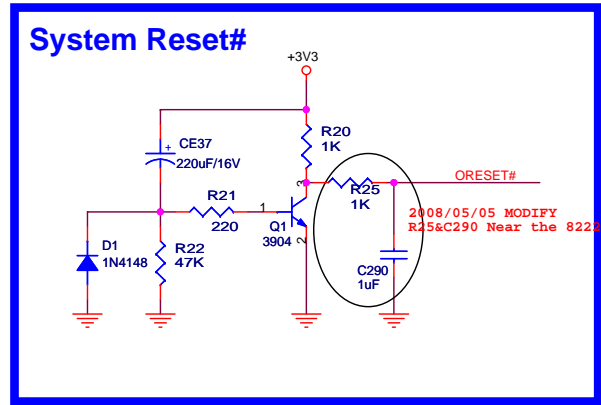
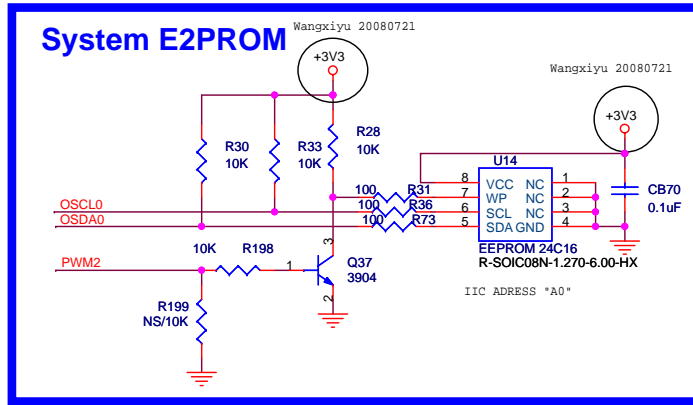
# ( Bypass CAPs arround MT8222 )



MediaTek Confidential

	<b>MediaTek (ShenZhen) Inc.</b>		
	Title: MT8222 Bypass CAPs		
	Size: C	Document Number: HISENSE MT8222 EU	Drawn: Jiu.Ni
	Date: 2008/1/25	Sheet: 4	Rev: 1 of 14





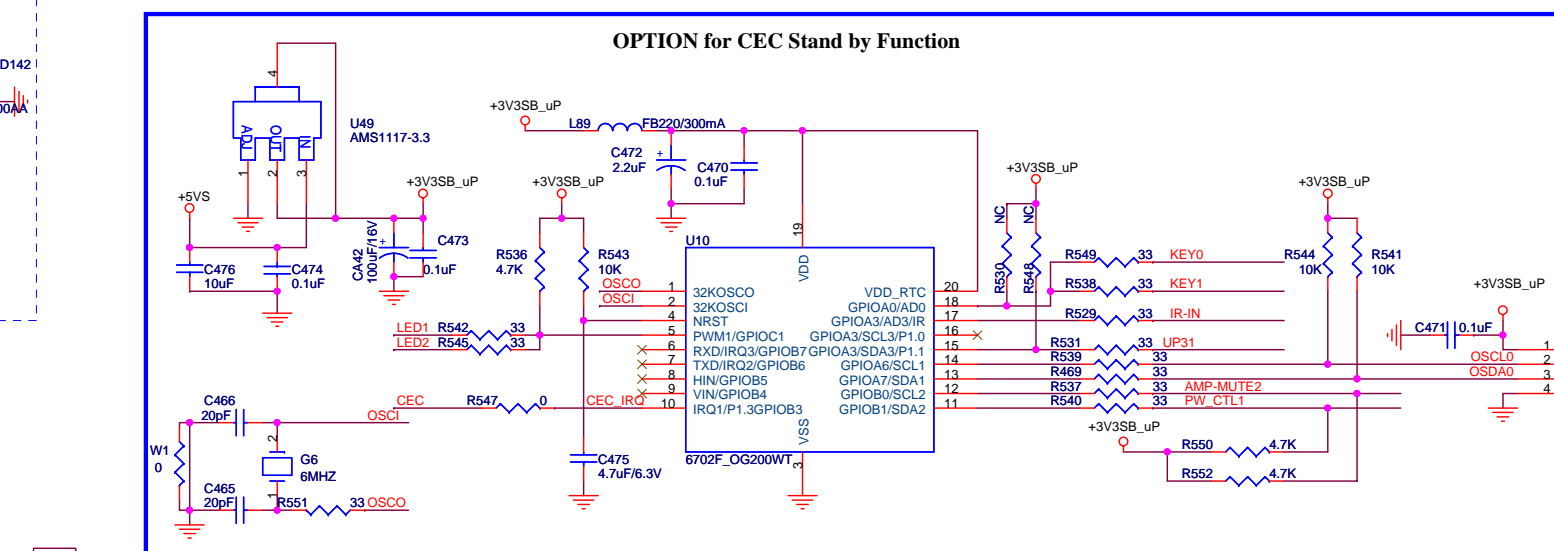
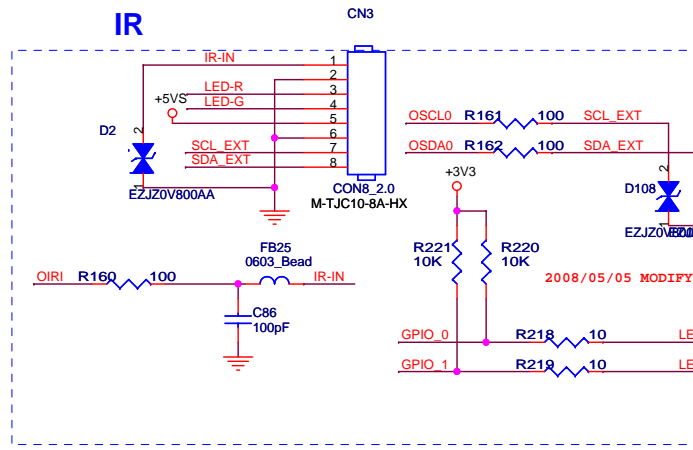
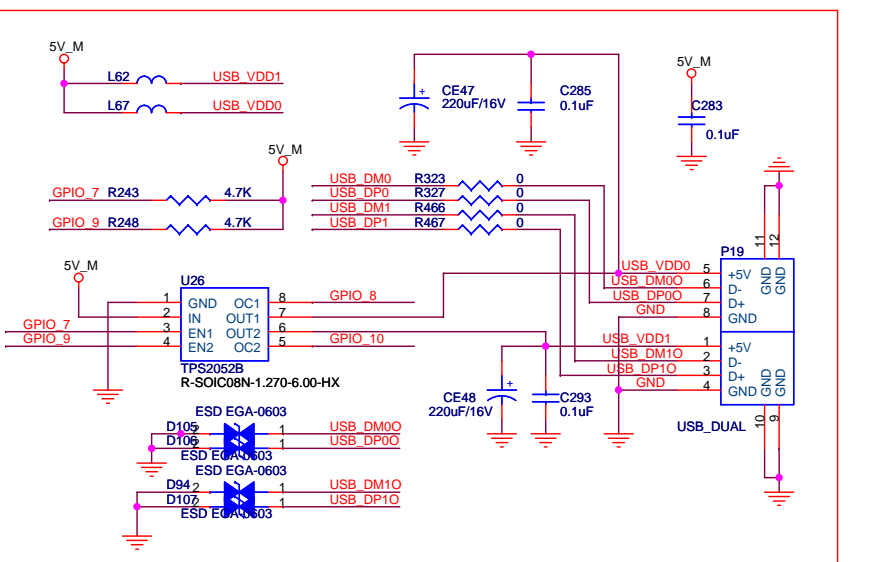
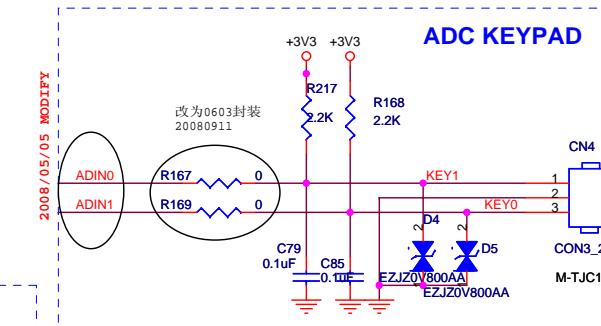
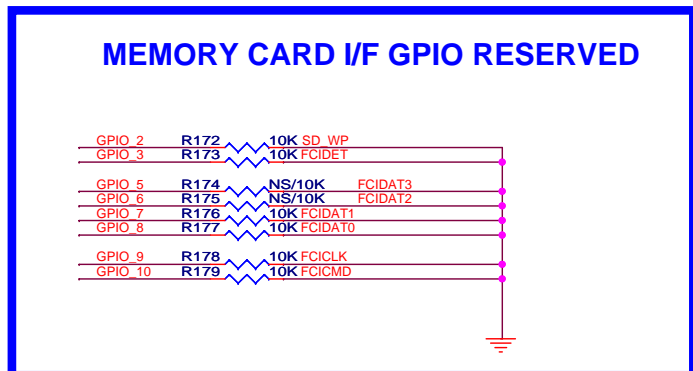
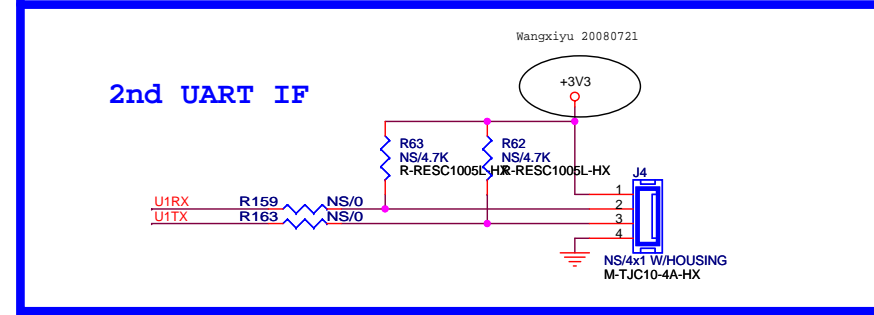
### MT8222 Trapping

Wangxiyu 20080721

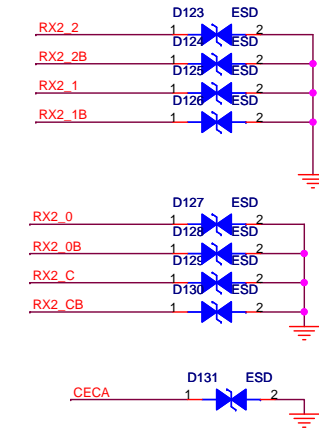
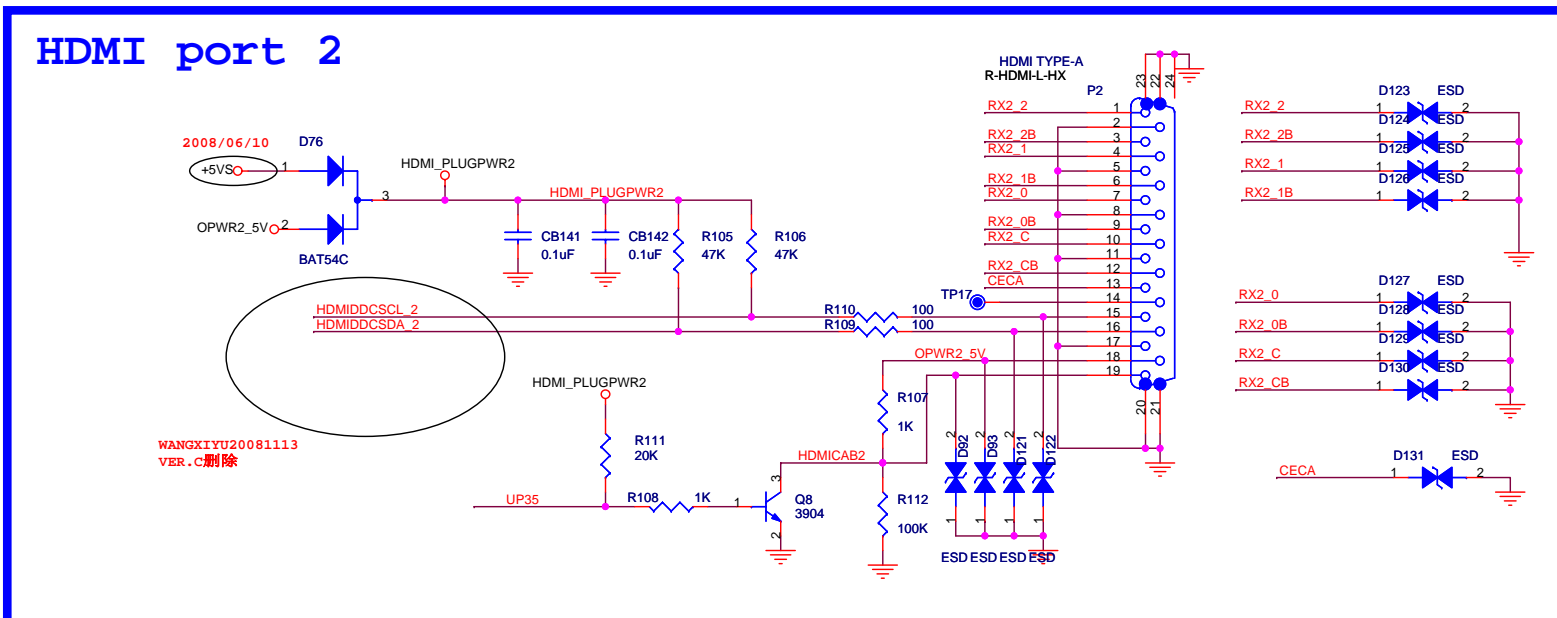
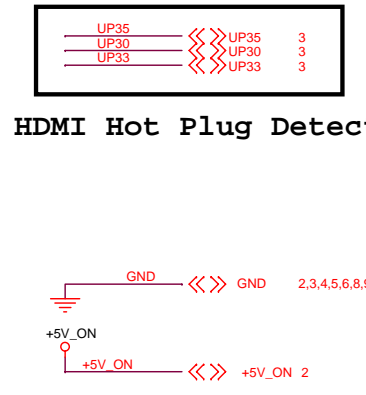
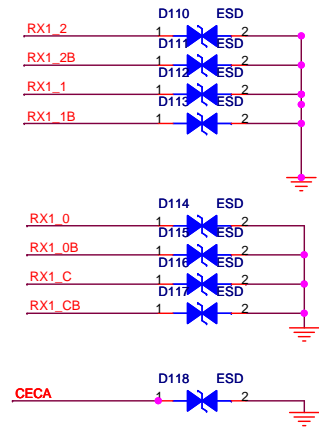
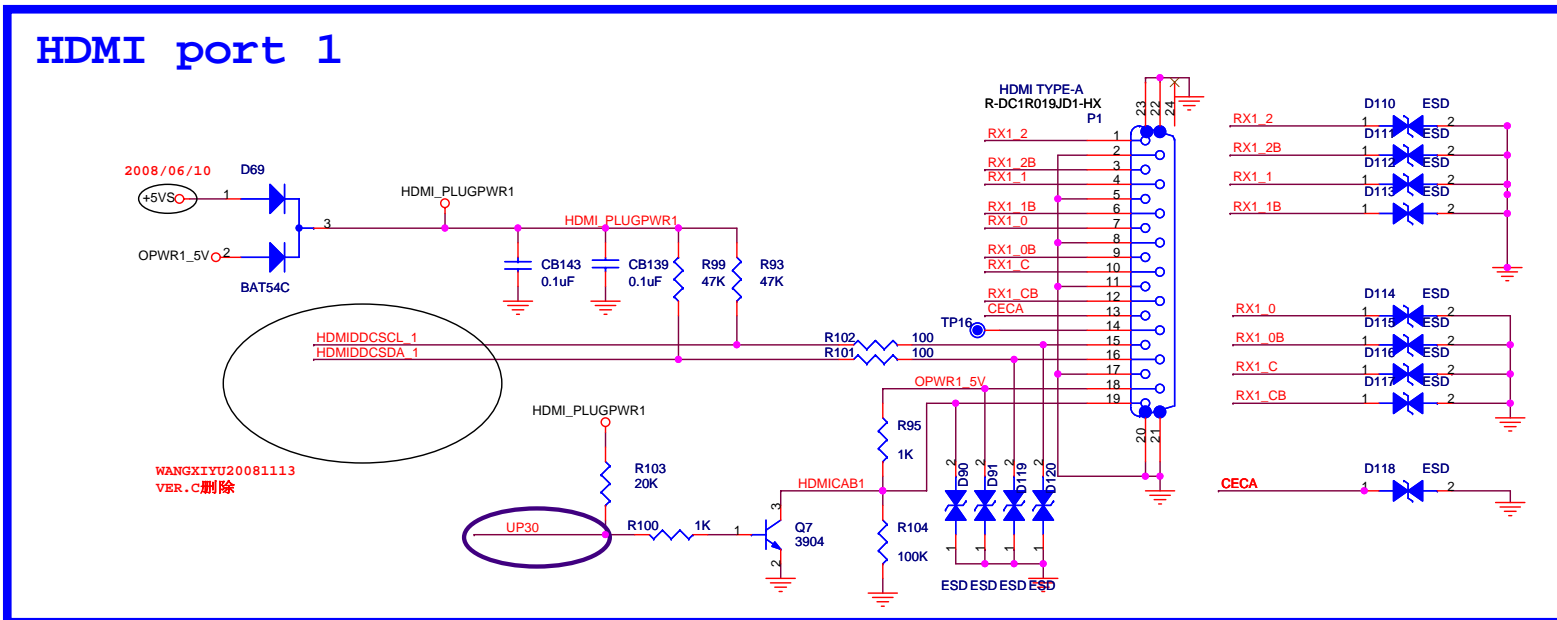
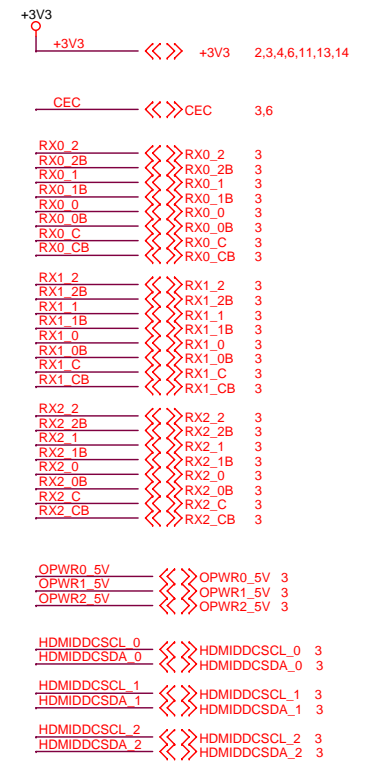
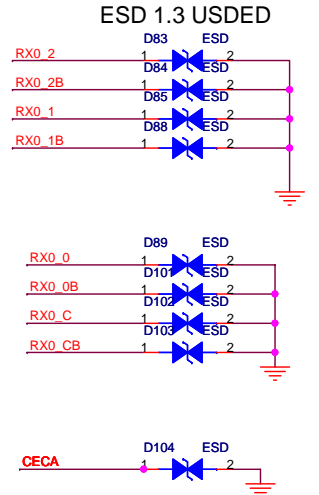
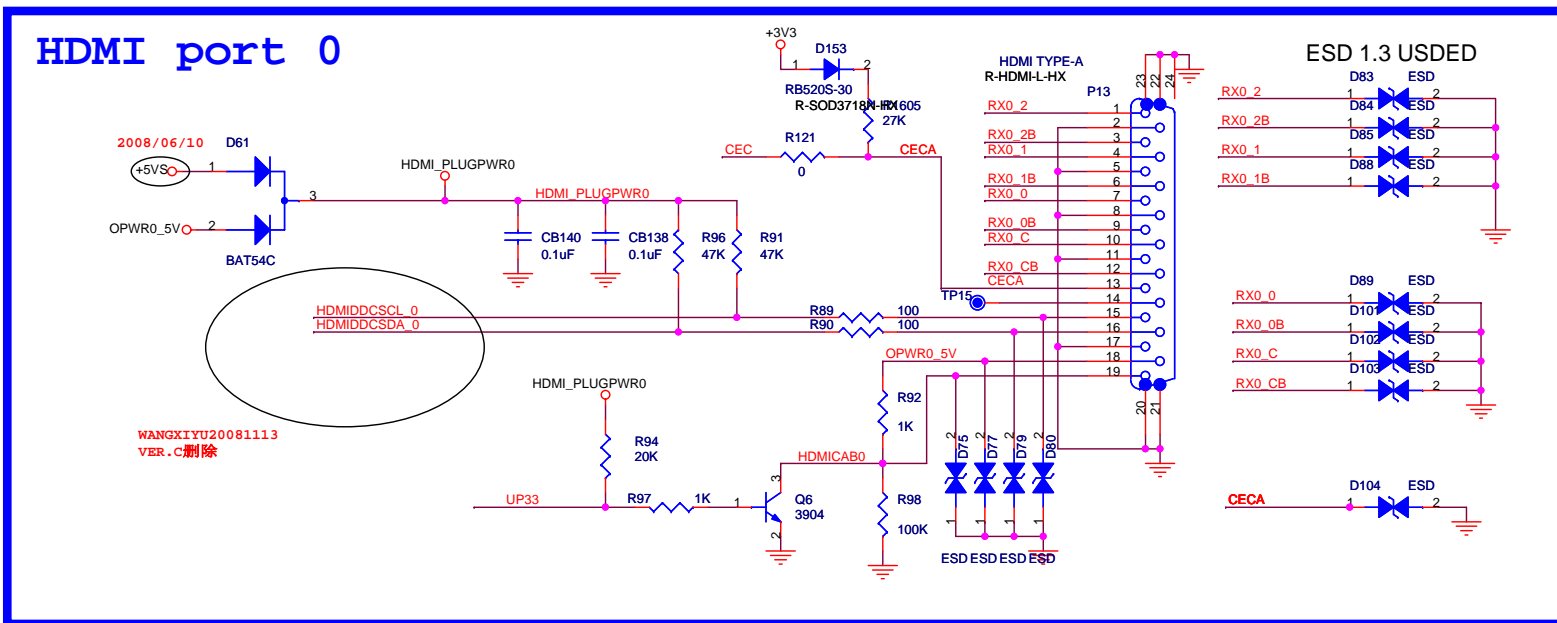
Status	ICE	AOBCLK	AOLRCK	Description
Normal	0	---	0	Normal operation ST/SST flash
TEST_ICE	1	0	0	ICE mode
TEST_CPU	1	0	1	Used in simulation and pattern generation
TEST_SCAN	1	1	0	Used to generate ATPG test patterns
OLT_MODE	1	1	1	OLT mode

AOSDATA0	Description
0	ST/SST flash
1	ATMEL flash

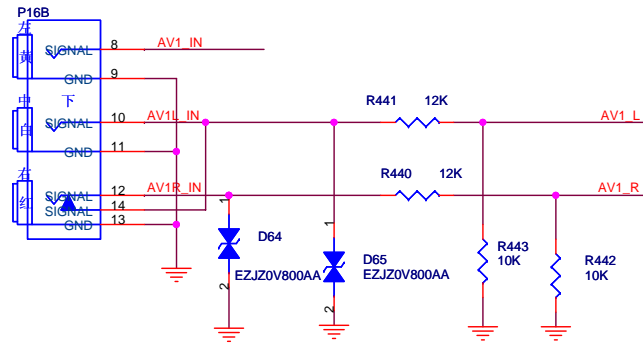


- PWM2 >>> PWM2 3
- ORESET# >>> ORESET# 3
- OIRI >>> OIRI 3
- UORX >>> UORX 3
- UOTX >>> UOTX 3
- U1RX >>> U1RX 3
- U1TX >>> U1TX 3
- USB\_DP0 >>> USB\_DP0 3
- USB\_DM0 >>> USB\_DM0 3
- USB\_DP1 >>> USB\_DP1 3
- USB\_DM1 >>> USB\_DM1 3
- OSCL0 >>> OSCL0 3,8,11,14
- OSDA0 >>> OSDA0 3,8,11,14
- GPIO\_2 >>> GPIO\_2 3,13
- GPIO\_3 >>> GPIO\_3 3,13
- GPIO\_5 >>> GPIO\_5 3,13
- GPIO\_6 >>> GPIO\_6 3,13
- GPIO\_7 >>> GPIO\_7 3
- GPIO\_8 >>> GPIO\_8 3
- GPIO\_9 >>> GPIO\_9 3
- GPIO\_10 >>> GPIO\_10 3
- +3V3 >>> +3V3 2,3,4,7,11,13,14
- +5V\_ON >>> +5V\_ON 2
- 5V\_M >>> 5V\_M 2,3,8,12,13,14
- GND >>> GND 2,3,4,5,7,8,9,10,11,12,13,14
- ICE\_AOSDATA0 >>> ICE\_AOSDATA0 3,12,13
- AOSDATA0 >>> AOSDATA0 3,12,13
- ADIN0 >>> ADIN0 3
- ADIN1 >>> ADIN1 3
- GPIO\_0 >>> GPIO\_0 3
- GPIO\_1 >>> GPIO\_1 3
- CEC >>> CEC 3,7
- UP31 >>> UP31 2,3
- PW\_CTL1 >>> PW\_CTL1 2
- AMP-MUTE2 >>> AMP-MUTE2 14

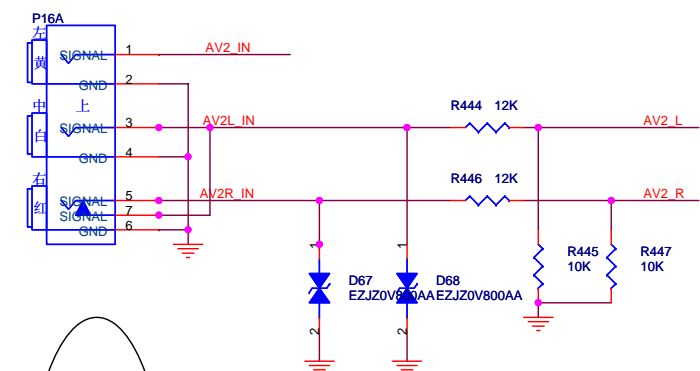


1. E2P供电更改  
2. 各信号上ESD器件更改

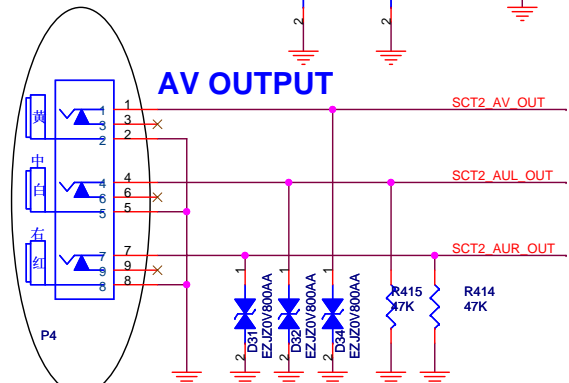
### AV1+S-Video1 Input



### AV2 Input

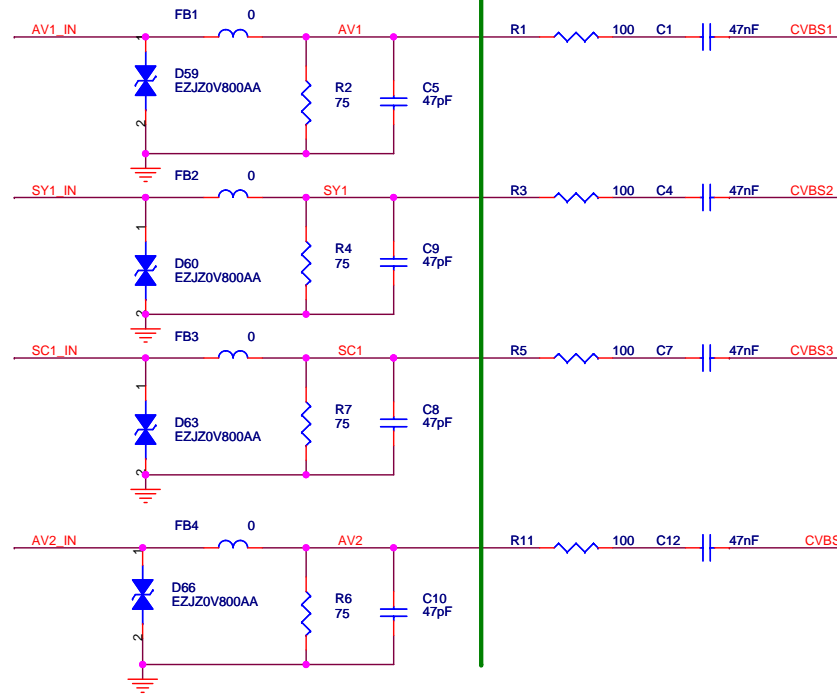


### AV OUTPUT

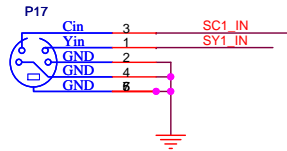
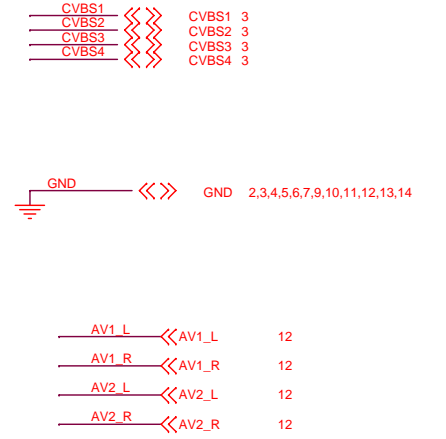
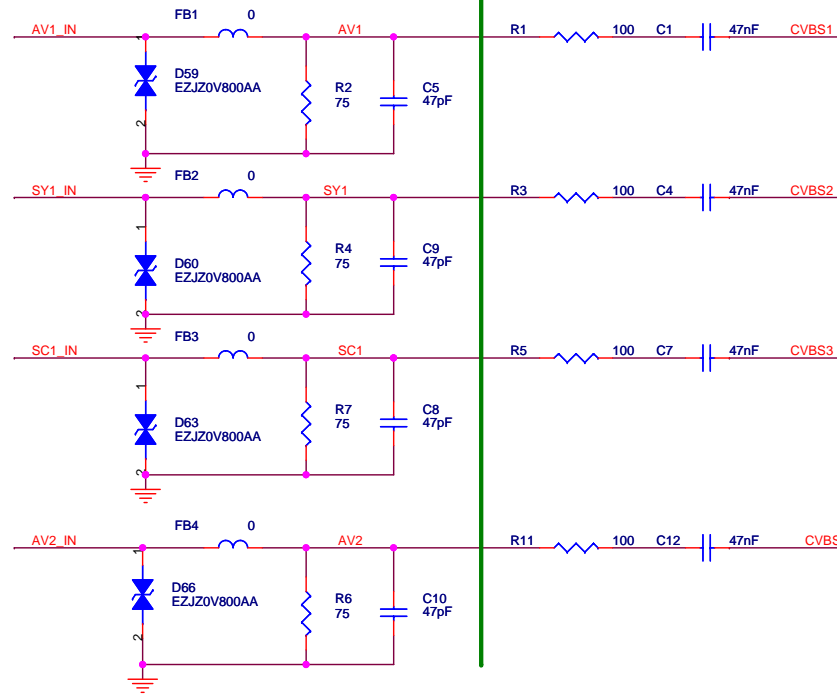


Only for US, EU not stuff

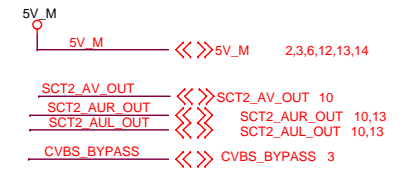
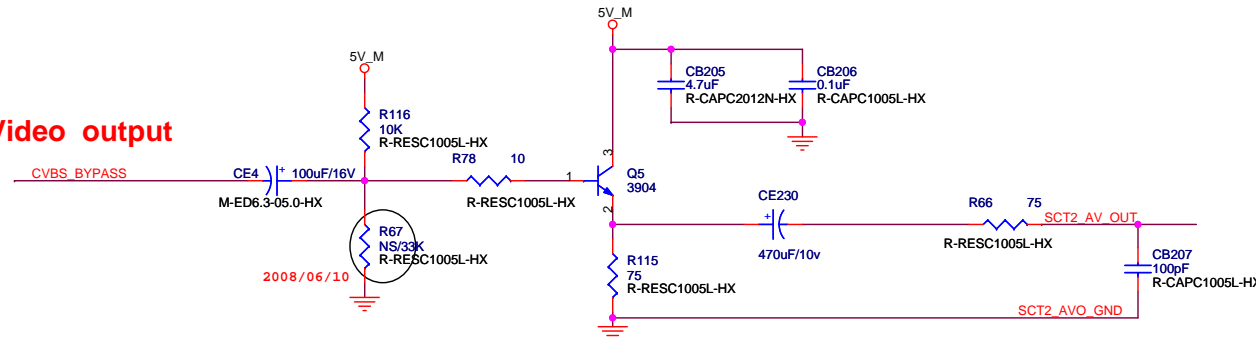
### NEAR CONNECTOR



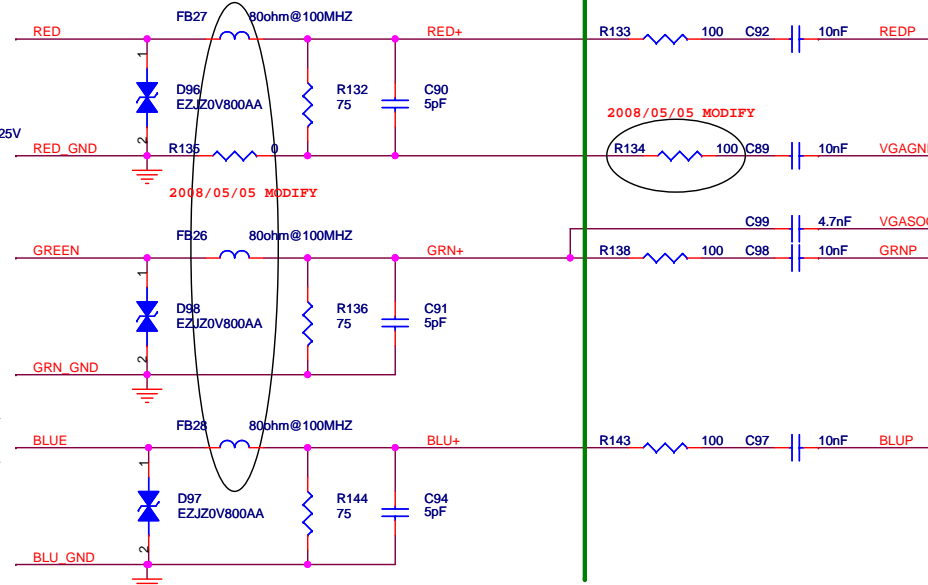
### NEAR IC



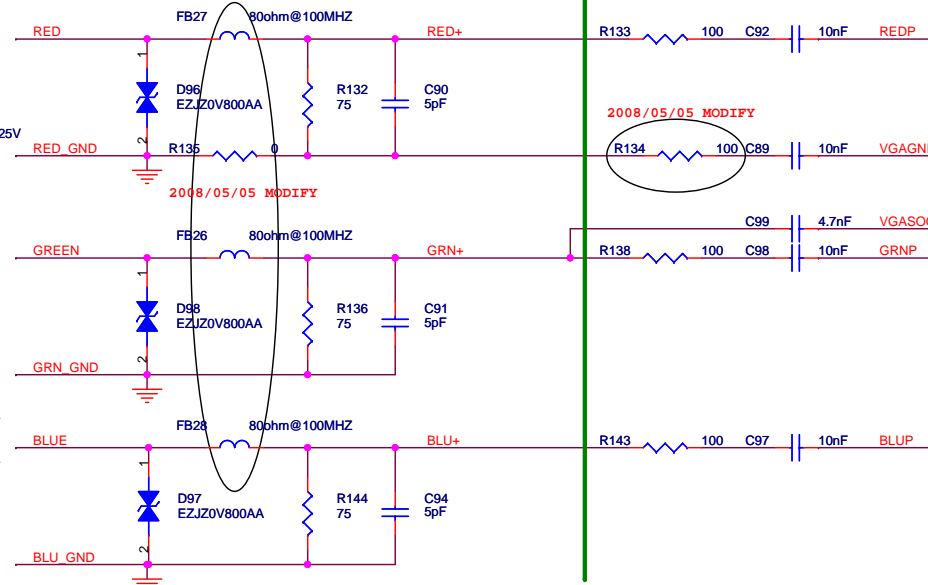
### Video output



### NEAR CONNECTOR

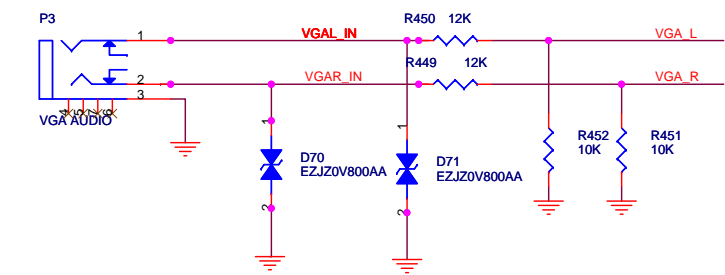
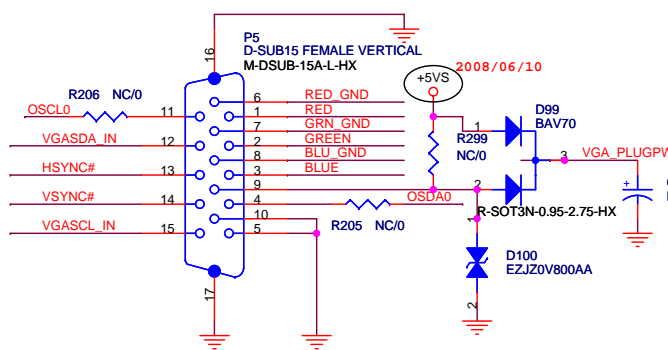
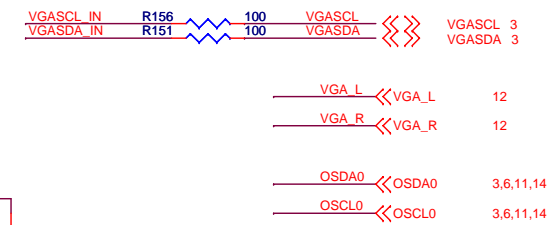
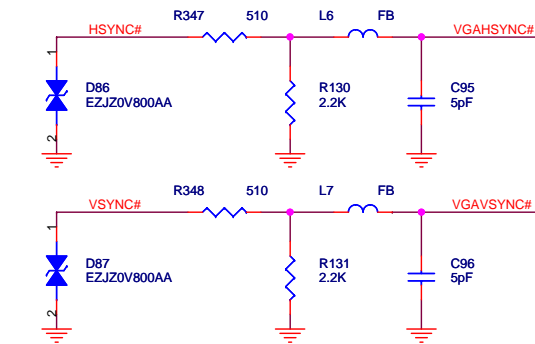


### NEAR IC



2008/05/05 MODIFY

2008/05/05 MODIFY

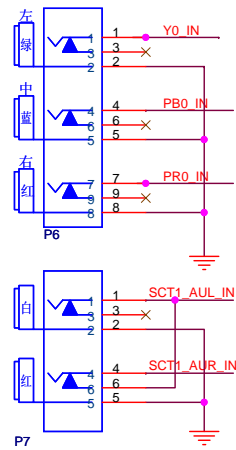


**MediaTek Confidential**

	<b>MediaTek (ShenZhen) Inc.</b>		
	CVBS/ S-Video / VGA		
Size	Document Number	Drawn: Jiu.Ni	Rev 1
C	HISENSE MT8222 EU	Date: 2008/17/25	Sheet 8 of 14

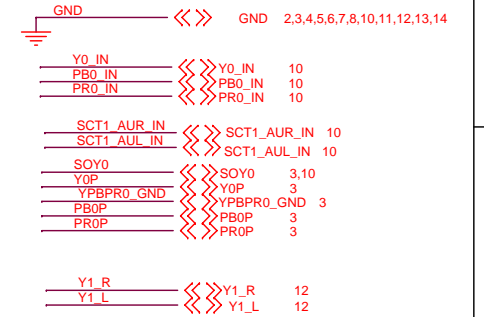
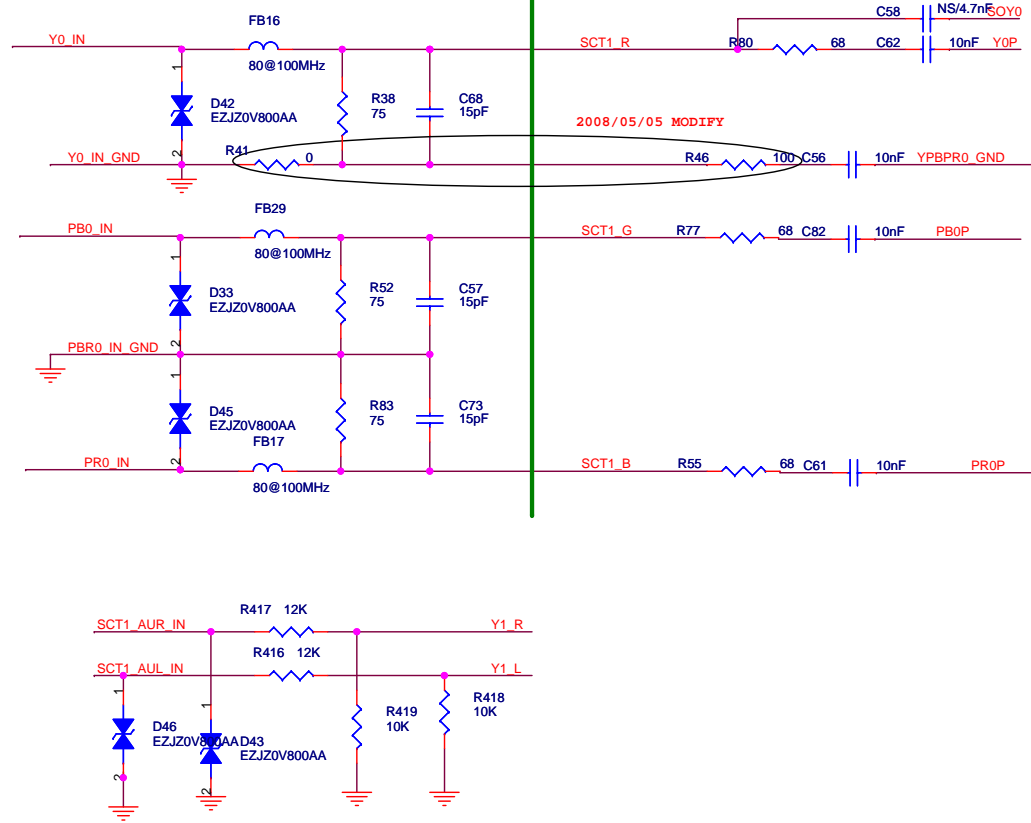
Only for US, EU not stuff

YPbPr0 port

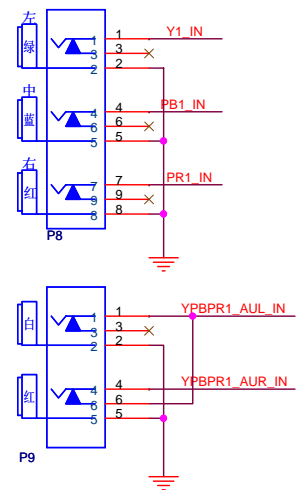


NEAR CONNECTOR

NEAR IC

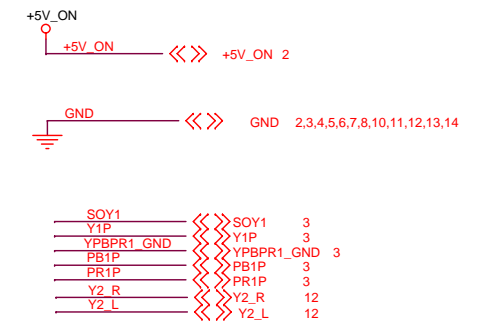
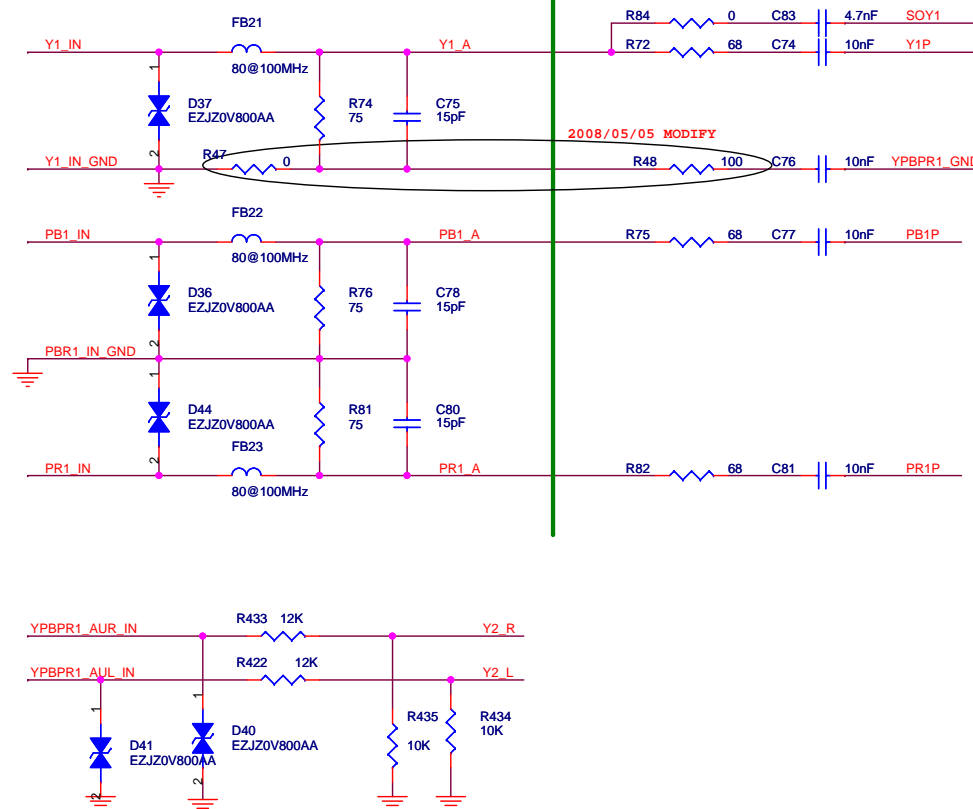


YPbPr1 port



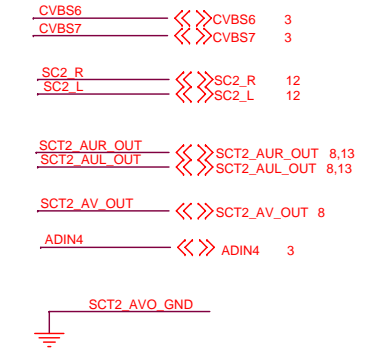
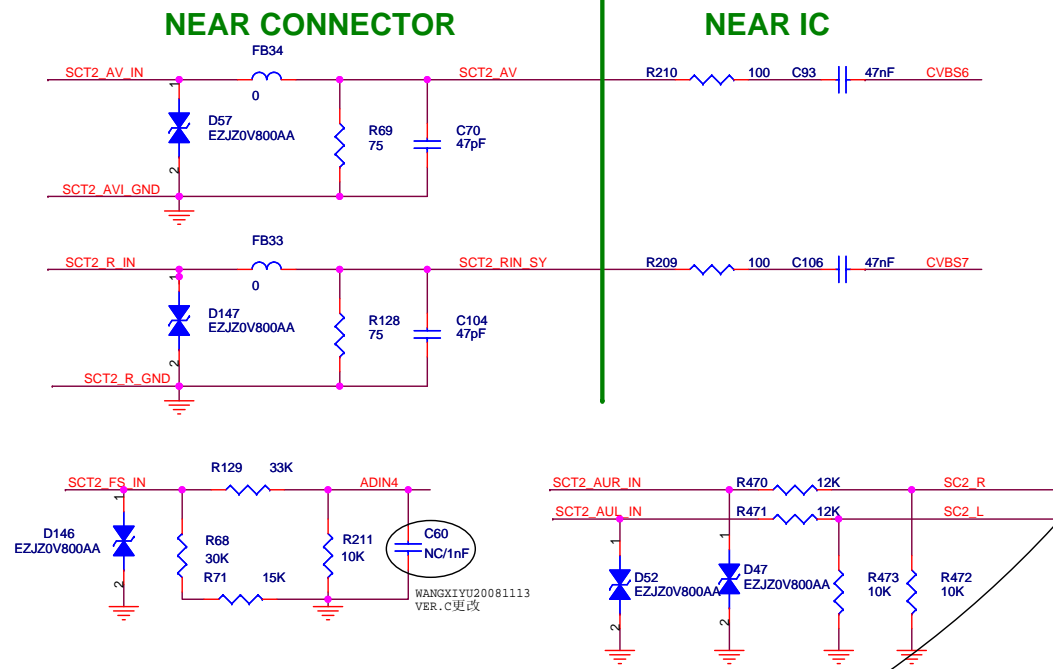
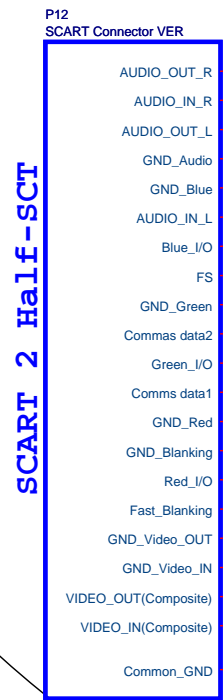
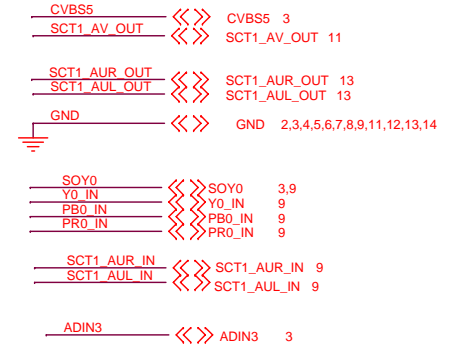
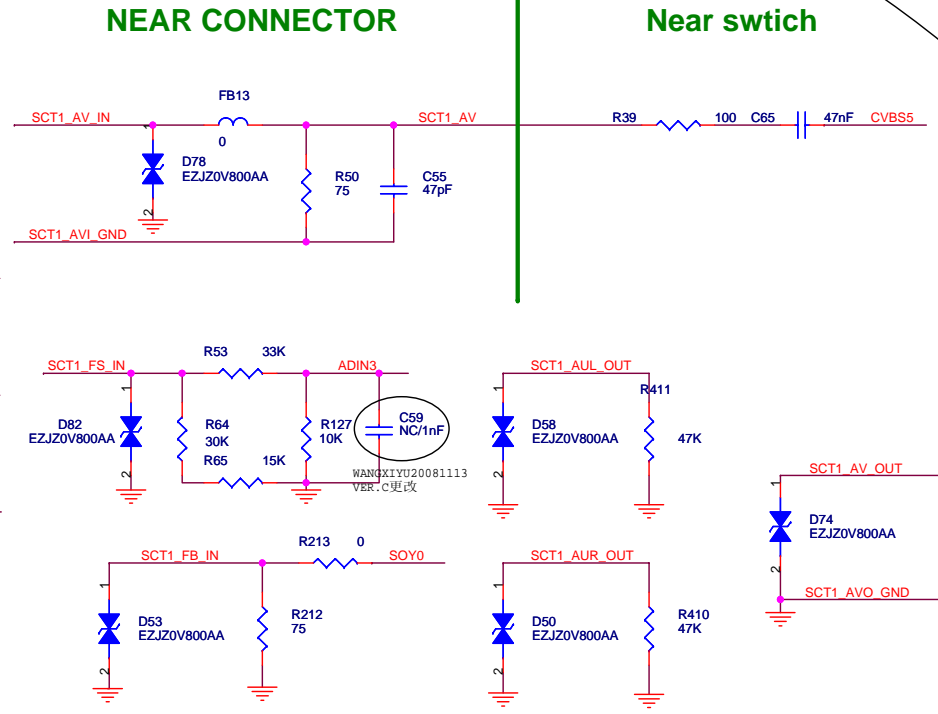
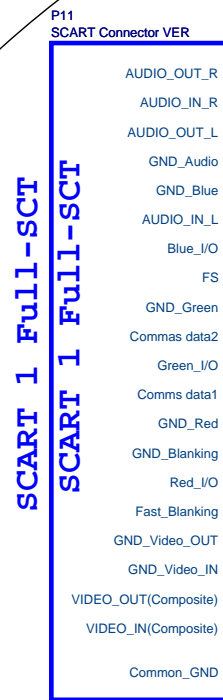
NEAR CONNECTOR

NEAR IC



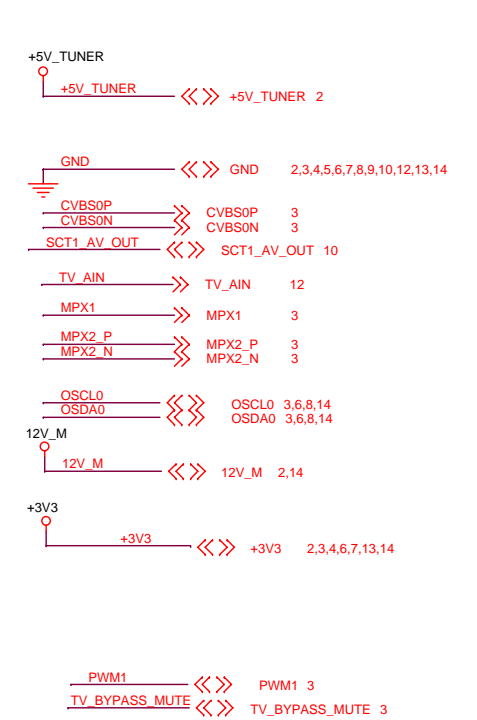
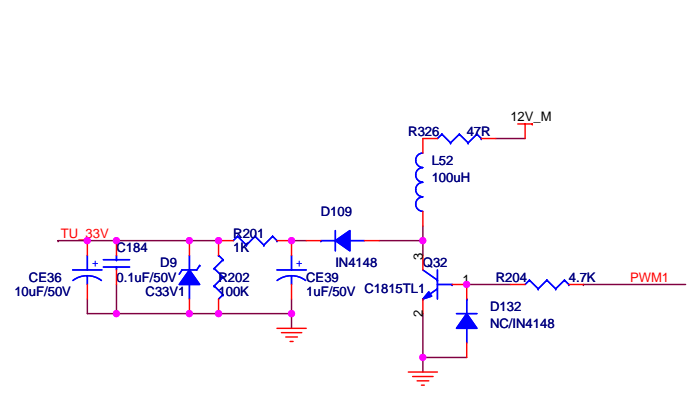
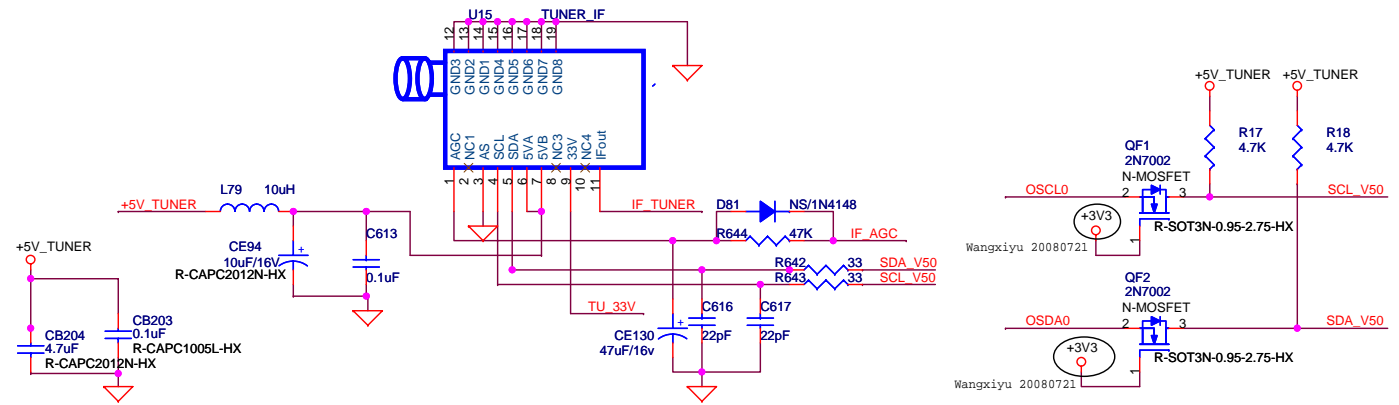
MediaTek Confidential

Only for EU, US not stuff

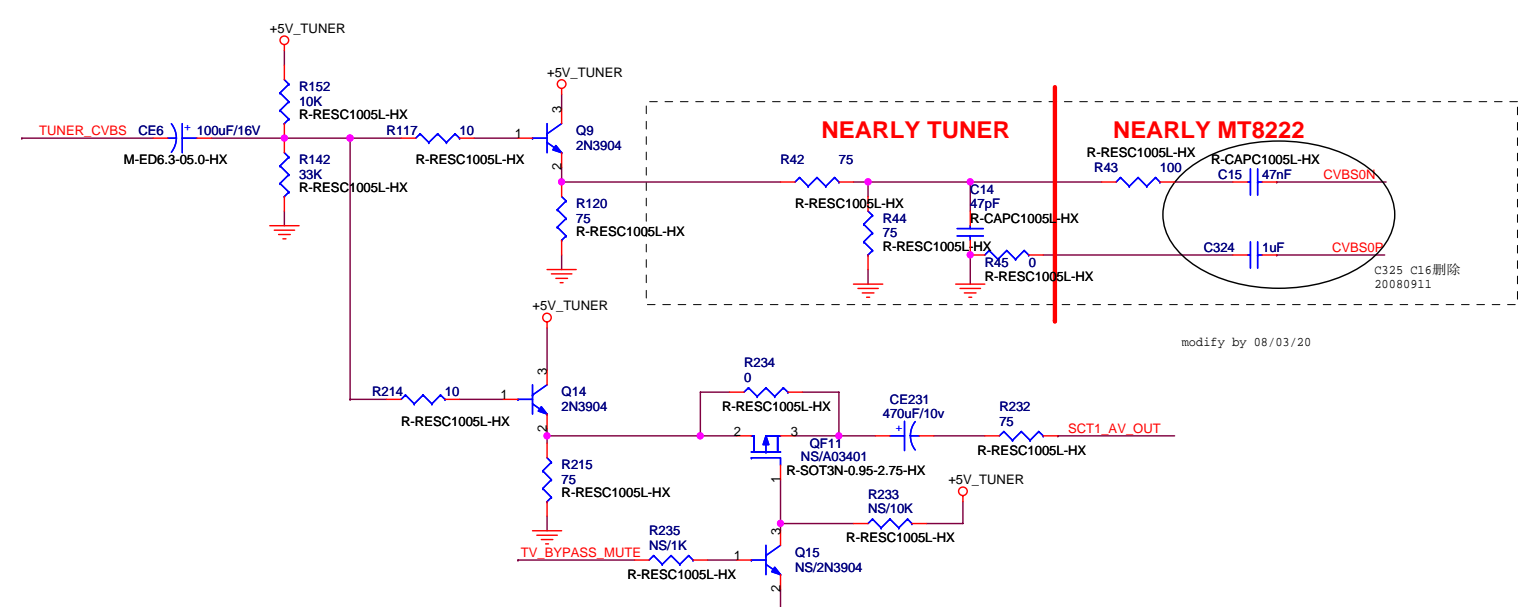
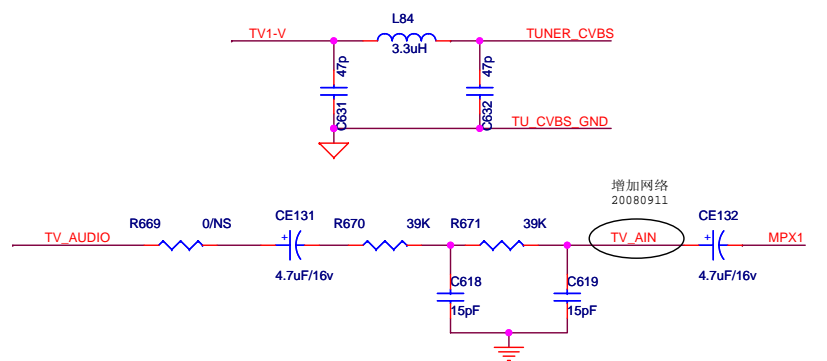
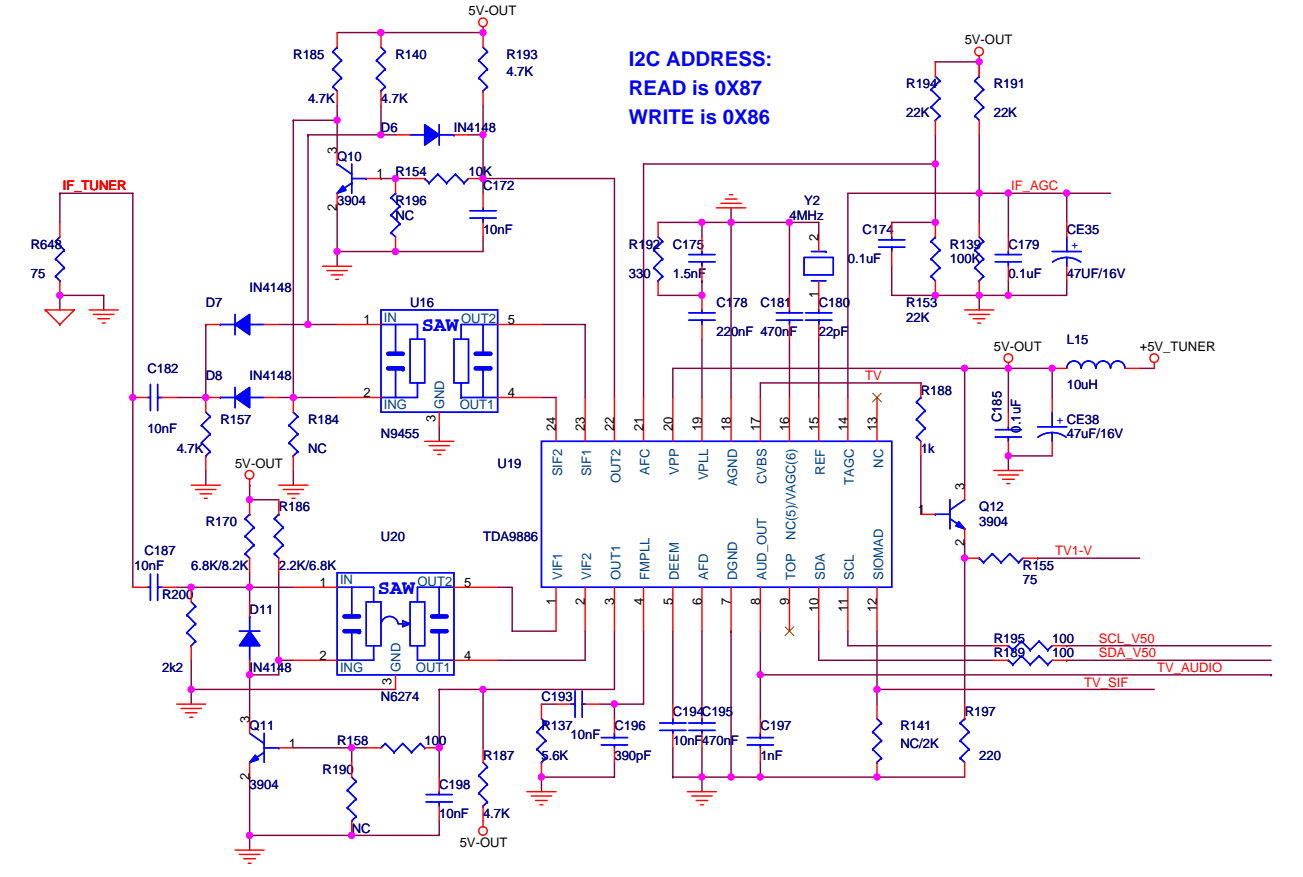


MediaTek Confidential

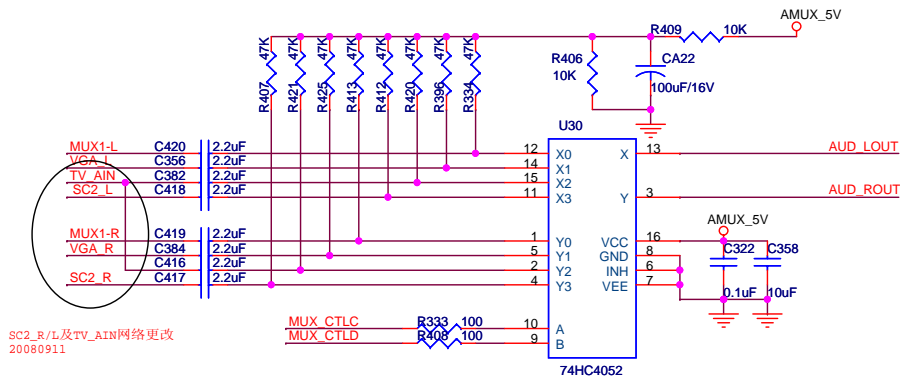
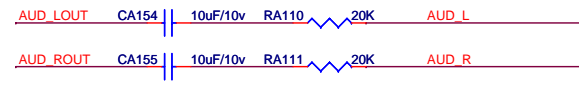
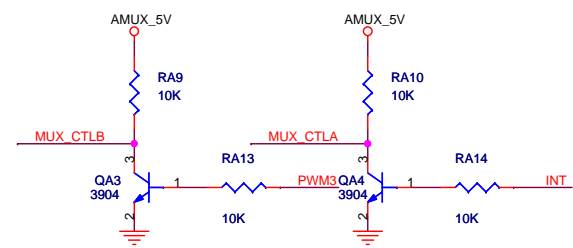
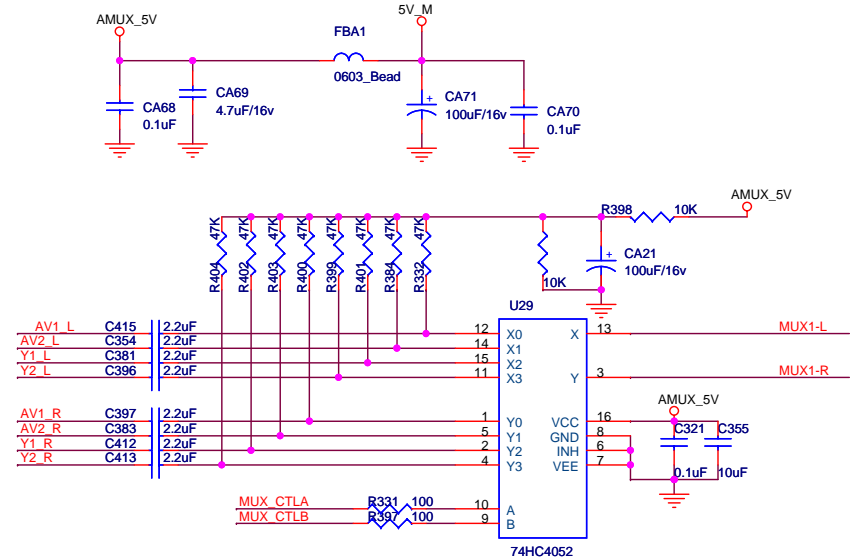




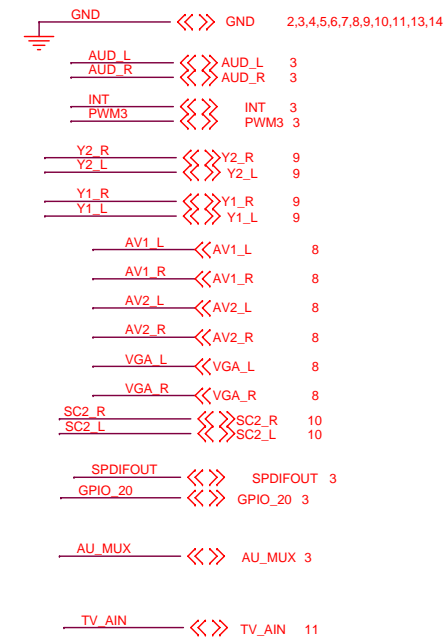
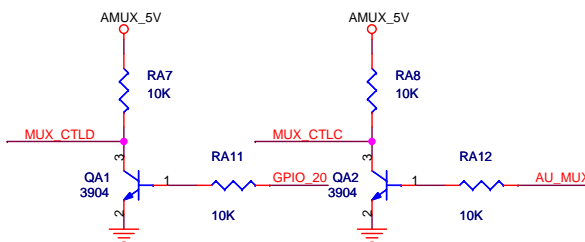
I2C ADDRESS:  
READ is 0X87  
WRITE is 0X86



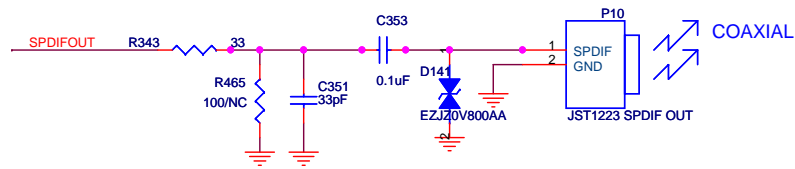
MediaTek Confidential



SC2\_R/L及TV\_AIN网络更改  
20080911

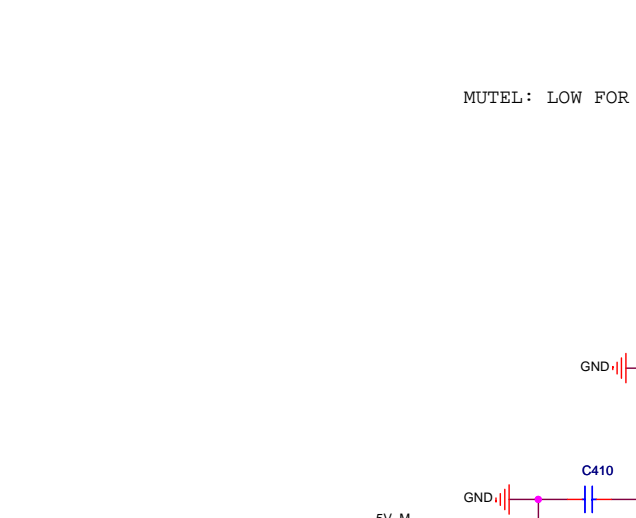
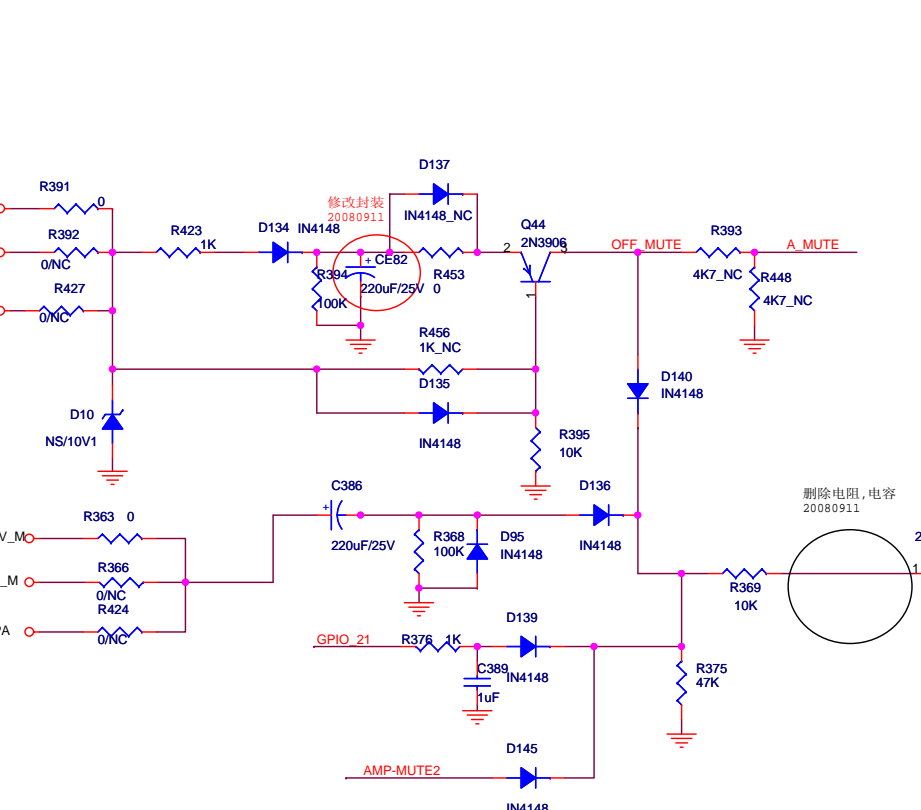
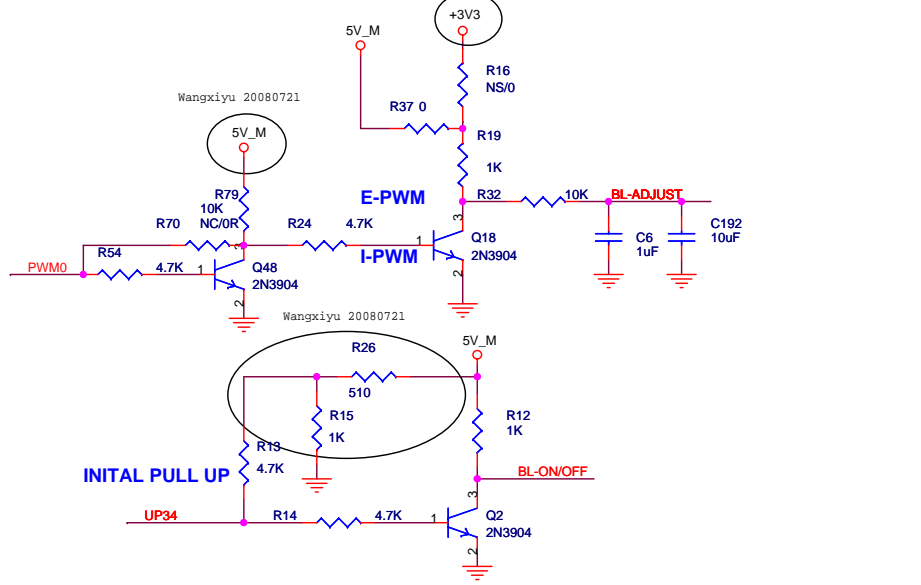
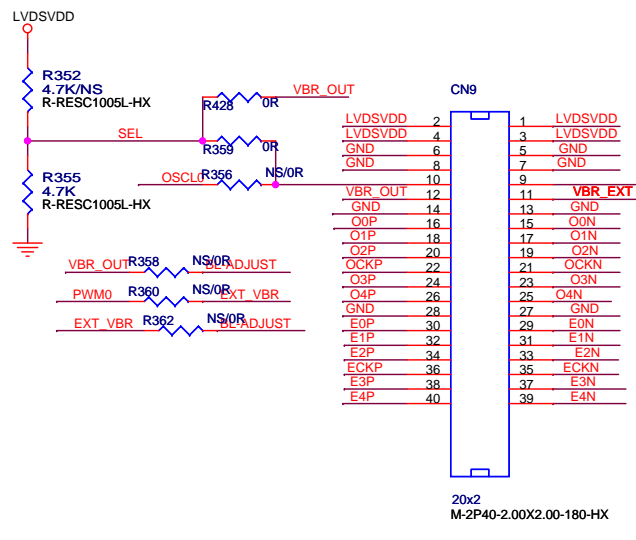
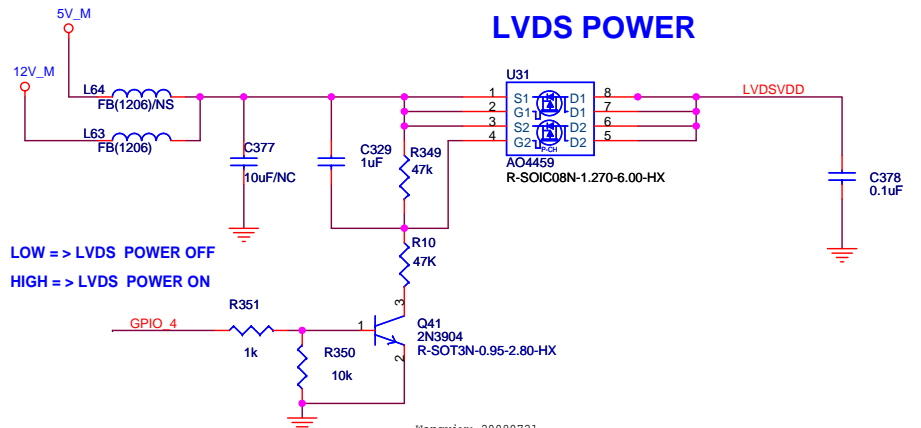


PWM3	INT	GPIO_20	AU_MUX	AUDIO OUTPUT
1	1	1	1	AV1 OUT
1	0	1	1	AV2 OUT
0	1	1	1	YPBPR1 OUT
0	0	1	1	YPBPR2 OUT
X	X	1	0	VGA OUT
X	X	0	1	TV AUDIO OUT
X	X	0	0	SCART2 OUT



MediaTek Confidential

	<b>MediaTek (ShenZhen) Inc.</b>		
	Title: <b>AudioMUX/SPDIF</b>		
	Size: C	Document Number: <b>HISENSE_MT8222_EU</b>	Drawn: <b>Jiu.Ni</b>
	Date: 2008/11/25	Sheet: 12	Rev: 1 of 14



Amplifier Gain(dB)	AGAIN1	AGAIN0
20	0	0
26	0	1
32	1	0
36	1	1

