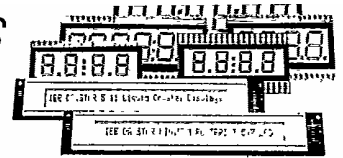




POLARIS™ LIQUID CRYSTAL DISPLAYS & DAYSTAR™ ASCII LCD MODULES



T-41-38

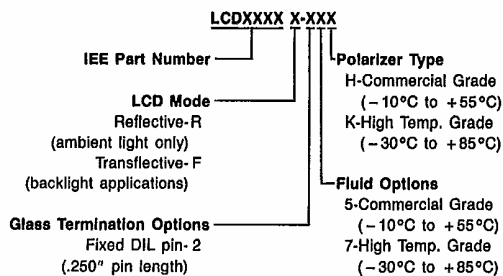
POLARIS FEATURES

- Models in direct drive/multiplexed circuitry available
- Low 25μw typical average power consumption
- CMOS drive compatible
- Reflective and transfective polarizing modes available for every lighting requirement
- Excellent readability in direct sunlight
- Choice of operating voltages: 3 to 9 VAC or 4.5 to 13.5 VAC
- Choice of environmental usage: -10° to +55°C at low humidity levels or -30° to 85°C at high humidity levels
- High stability, displays offer long life and reliability—greater than 5 years average life
- Variety of "off-the-shelf" standard instrument models
- Rugged 0.250" D.I.L. fixed pins
- Complete mounting hardware kit (bezel/viewing screen) available; contact authorized representative or factory
- Available options:
 - Dual TKC snap-on terminals in pin lengths of 0.100" or 0.200"
 - Special fixed pin lengths up to 0.500" maximum
 - Custom Displays—custom design worksheet available upon request
 - Colored polarizers available

Part No.	No. of Char.	Char. Height	Glass Size	Recommended Driver	Type*
LCD5676	3½	0.32"	2.00 x 0.90"	ICL7106	DD
LCD5672	4	0.32"	2.00 x 0.90"	ICM7211	DD
LCD5675	4½	0.35"	2.00 x 0.90"	ICM7224	DD
LCD5660	4½	0.40"	2.00 x 1.20"	ICM7224	DD
LCD5666	5	0.40"	2.00 x 1.20"	CD4055A	DD
LCD5679	3½	0.50"	2.00 x 1.20"	ICL7106	DD
LCD5654	3½	0.50"	2.00 x 1.20"	ICL7106	DD
LCD5657	4	0.50"	2.00 x 1.20"	ICM7211	DD
LCD5663	6	0.50"	2.75 x 1.20"	CD4055A	DD
LCD5665	8	0.50"	3.70 x 1.20"	ICM7211	DD
LCD5655	3½	0.70"	2.75 x 1.50"	ICL7106	DD
LCD5658	4	0.70"	2.75 x 1.50"	ICM7211	DD
LCD5681	5	0.70"	3.20 x 1.50"	CD4055A	DD
LCD5682	6	0.70"	3.70 x 1.50"	CD4055A	DD

*DD = Direct Drive

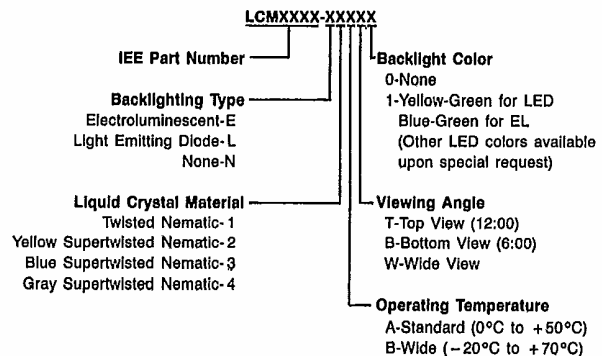
ORDERING INFORMATION



FEATURES

- High contrast/wide viewing angle
- Simple "microprocessor" interface
- On-board controller
- 96 character ASCII set by Internal Character Generator
- Backlighting available with EL panels or LED

ORDERING INFORMATION



Part No.	Format (lines x char.)	Module Size (W x H x D) (mm)	Char. Height (mm)
LCM1610	1 x 16	80 x 36 x 9.8	6.56
LCM1621	2 x 16	84 x 44 x 9.8	4.89
LCM2020	2 x 20	116 x 37 x 9.3	5.55
LCM2040	4 x 20	98 x 60 x 10	4.75
LCM4021	2 x 40	182 x 33.5 x 9.3	5.50
LCM4040	4 x 40	190 x 55 x 9.3	4.89

OPTIONAL FEATURES

Various optional formats and features not contained in this catalog are either available now or will be in the very near future. Please contact the Sales Department of the Component Products Division of IEE with your requirements for any of the following:

- Wide operating temperature (-20°C to +70°C)
- Electroluminescent (EL) backlighting
- Light emitting diode (LED) backlighting
- Yellow, blue or gray supertwisted nematic fluid
- Top (12:00) viewing angle
- Other formats (characters x lines):
 - 8 x 1
 - 16 x 4
 - 20 x 1
 - 24 x 1
 - 24 x 2
 - 40 x 1
 - 80 x 2
- Graphic modules (pixels x pixels):
 - 480 x 64
 - 480 x 128
 - 640 x 200
 - 640 x 400