

LCK4953 Low-Voltage PLL Clock Driver

Features

- Fully integrated PLL
- Output frequency up to 130 MHz in PLL mode
- Nine outputs with high-impedance disable
- 32-lead TQFP
- 50 ps cycle-to-cycle jitter
- Pin compatible with the *Motorola*® MPC953 clock driver

Description

The LCK4953 is a PLL-based clock driver device intended for high-performance clock tree designs. The LCK4953 is 3.3 V compatible with output frequencies of up to 130 MHz and output skews of 75 ps. The LCK4953 can meet the most demanding timing requirements and employs on-chip voltage regulators to minimize cycle-to-cycle jitter and phase jitter.

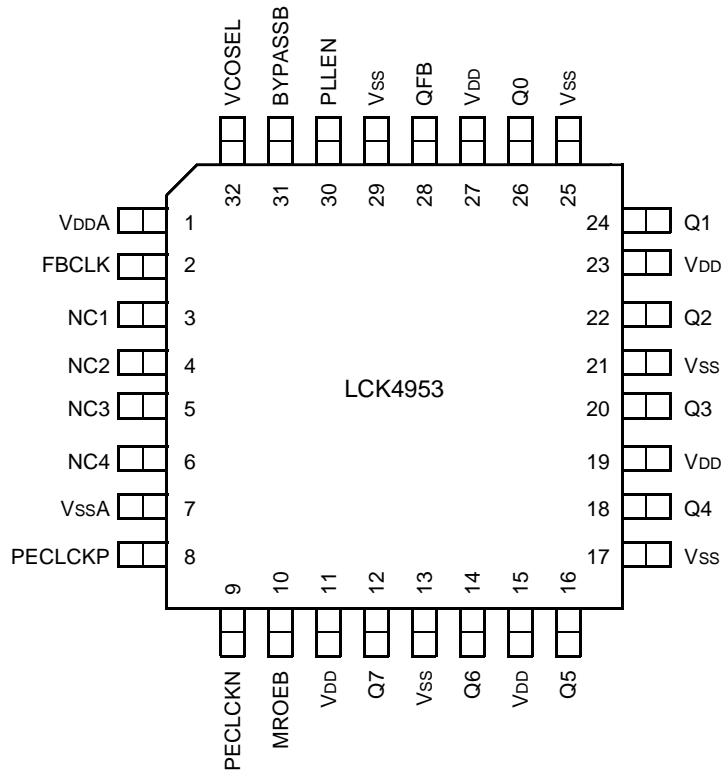
The LCK4953 is ideal for use as a zero delay, low skew, fan-out buffer due to its differential LVPECL reference input along with an external feedback input. The MROEB pin of the LCK4953, when driven high, will reset the internal counters and 3-state the output buffers. The LCK4953 has been optimized for zero delay performance.

The LCK4953 is fully 3.3 V compatible and requires no external loop filter components. All control inputs accept LVCMOS or LVTTTL compatible levels while the outputs provide LVCMOS levels with the ability to drive terminated 50 Ω transmission lines. For series-terminated 50 Ω lines, each of the LCK4953 outputs can drive two traces giving the device an effective fan-out of 1:18. For the optimum combination of board density and performance, the device is packaged in a 7 mm \times 7 mm 32-lead TQFP package.

Table 1. Function Table

BYPASSB	Function
1	PLL Enabled
0	PLL Bypass
MROEB	Function
1	Outputs Disabled
0	Outputs Enabled
VCOSEL	Function
1	$\div 8$
0	$\div 4$
PLLEN	Function
1	Select VCO
0	Select PELCLK

Description (continued)



5-8653(F)

Figure 1. 32-Lead Pinout (Top View)

Absolute Maximum Ratings

Stresses which exceed the absolute maximum ratings can cause permanent damage to the device. These are absolute stress ratings only. Functional operation of the device is not implied at these or any other conditions in excess of those given in the operational sections of the data sheet. Exposure to absolute maximum ratings for extended periods of time can adversely affect device reliability.

Table 2. Absolute Maximum Ratings

Parameter	Symbol	Min	Max	Unit
Supply Voltage	VDD	-0.3	4.2	V
Input Voltage	VIN	-0.3	VDD + 0.3	V
Input Current	IIN	—	±20	mA
Storage Temperature Range	T _{stg}	-40	125	°C

Absolute Maximum Ratings (continued)

Table 3. dc Characteristics (TA = 0 °C to 70 °C, VDD = 3.3 V ± 5%)

Parameter	Symbol	Min	Typ	Max	Unit	Condition
Input High-voltage LVCMOS Inputs	V _{IH}	2.0	—	3.6	V	—
Input Low-voltage LVCMOS Inputs	V _{IL}	—	—	0.8	V	—
Peak-to-peak Input Voltage PECL_CLK	V _{p-p}	300	—	1000	mV	—
Common-mode Range PECL_CLK	V _{CMR}	V _{DD} – 1.5	—	V _{DD} – 0.6	mV	—*
Output High Voltage	V _{OH}	2.4	—	—	V	I _{OH} = –30 mA [†]
Output Low Voltage	V _{OL}	—	—	0.6	V	I _{OL} = 30 mA [†]
Input Current	I _{IN}	—	—	±120	μA	—
Input Capacitance	C _{IN}	—	—	4	pF	—
Power Dissipation Capacitance	C _{pd}	—	12	—	pF	Per output
Maximum Quiescent Supply Current Non-PLL	I _{DDQ}	—	—	1	mA	All VDD pins except VDDA [‡]
Maximum PLL Supply Current	I _{DDPLL}	—	—	45	mA	VDDA pin only

* V_{CMR} is the difference from the most positive side of the differential input signal. Normal operation is obtained when the high input is within the V_{CMR} range and the input swing lies within the V_{p-p} specification.

† The LCK4953 outputs can drive series- or parallel-terminated 50 Ω (or 50 Ω to V_{CC}/2) transmission lines on the incident edge.

‡ Total Power = (I_{DDPLL} + I_{DDQ} + fCV) * V; where f = f_{ref}, V = V_{DD}, C = total load capacitance on all outputs.

Table 4. PLL Input Reference Characteristics (TA = 0 °C to 70 °C)

Parameter	Symbol	Min	Max	Unit	Condition
Reference Input Frequency	f _{ref}	25	130	MHz	—
Reference Input Duty Cycle	t _{refdc}	25	75	%	—

Table 5. ac Characteristics (TA = 0 °C to 70 °C, VDD = 3.3 V ± 5%)

Parameter	Symbol	Min	Typ	Max	Unit	Condition
Output Rise/Fall Time	t _r , t _f	0.10	—	1.0	ns	0.8 V to 2.0 V
Output Duty Cycle	t _{pw}	47	50	53	%	—
Output-to-output Skews	t _{sk(O)}	—	—	75	ps	—
PLL Vco Lock Range	f _{Vco}	200	—	520	MHz	—
Frequency Output: Frequency PLL Bypass Mode	f _{out}	25 50 —	— — —	65 130 250	MHz MHz MHz	VCOSEL = 1 VCOSEL = 0 —
Input to Ext_FB Delay (with PLL locked)	t _{pd (lock)}	–75	—	125	ps	t _{ref} = 75 MHz
Input to Q Delay	t _{pd(bypass)}	3	—	7	ns	PLL bypassed
Part to Part Delay				1.5		
Output Disable Time	t _{PLZHZ}	—	—	7	ns	—
Output Enable Time	t _{PZL}	—	—	6	ns	—
Cycle-to-cycle Jitter (peak-to-peak)	t _{jitter}	—	—	50	ps	f _{out} > 75 MHz

Electrical Characteristics

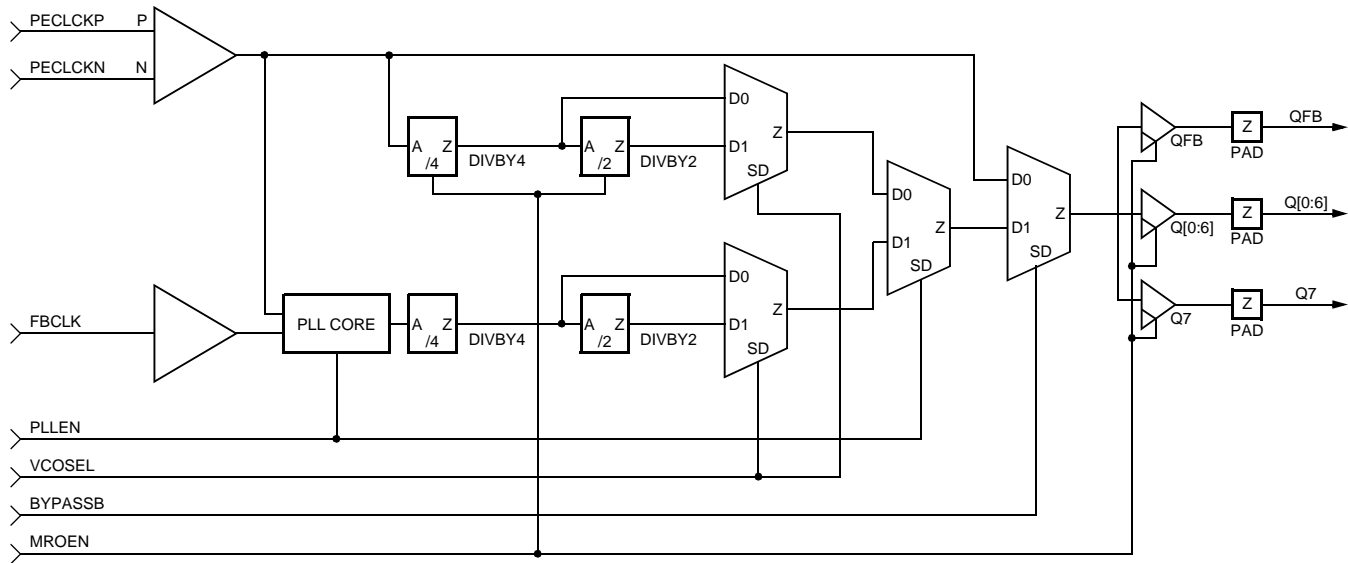


Figure 2. Logic Diagram

5-8654.a (F)

Power Supply Filtering

The LCK4953 is a mixed-signal product which is susceptible to random noise, especially when this noise is on the power supply pins. To isolate the output buffer switching from the internal phase-locked loop, the LCK4953 provides separate power supplies for the phase-locked loop (V_{DDA}) and for the output buffers (V_{DD}). In a digital system environment, besides this isolation technique, it is highly recommended that both V_{DDA} and V_{DD} power supplies be filtered to reduce the random noise as much as possible.

Figure 3 illustrates a typical power supply filter scheme. A filter for the LCK4953 should be designed to target noise in the 100 kHz to 10 MHz range, due to its susceptibility to noise with spectral content in this range. The RC filter in Figure 3 will provide a broadband filter with approximately -40 dB attenuation for noise with spectral content above 20 kHz. More elaborate power supply schemes may be used to achieve increased power supply noise filtering.

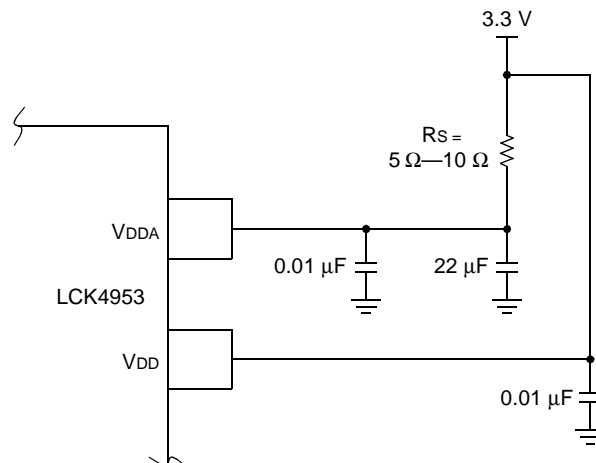


Figure 3. Power Supply Filter

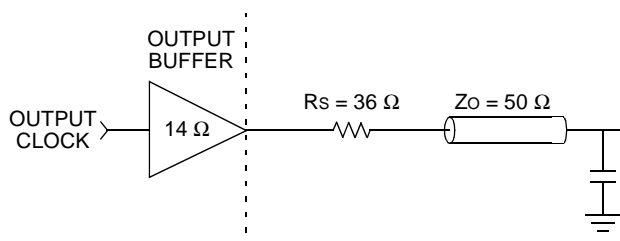
5-9575(F)

Electrical Characteristics (continued)

Driving Transmission Lines

The LCK4953 clock driver was designed to drive high-speed clock terminals in a terminated transmission line environment. Point-to-point distribution of signals is a common method in most high-performance clock networks. Either series-terminated or parallel-terminated transmission lines can be used in a point-to-point scheme. The parallel technique terminates the signal at the end of a line with a $50\ \Omega$ resistance to $V_{DD}/2$. This draws a fairly high level of dc current. Due to this aspect, only a single terminated line can be driven by each output of the LCK4953 clock driver. For the series-terminated case, however, there is no dc current draw; in turn, the outputs are capable of driving multiple series-terminated lines.

Figure 4 illustrates an output driving a single series-terminated line.

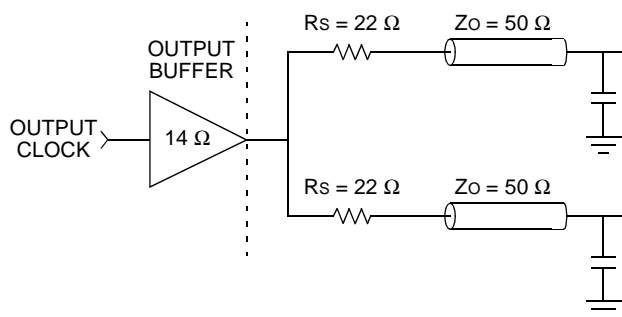


5-9576(F)

Figure 4. Single Transmission Line

In Figure 4, because the output buffer has an impedance of $14\ \Omega$, the series resistance (R_s) is set at $36\ \Omega$. This ensures that the total impedance is matched with the $50\ \Omega$ transmission line.

Figure 5 illustrates an output driving two series-terminated lines.



5-9577(F)

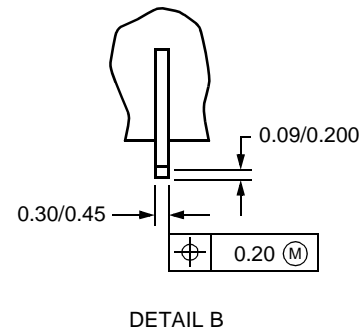
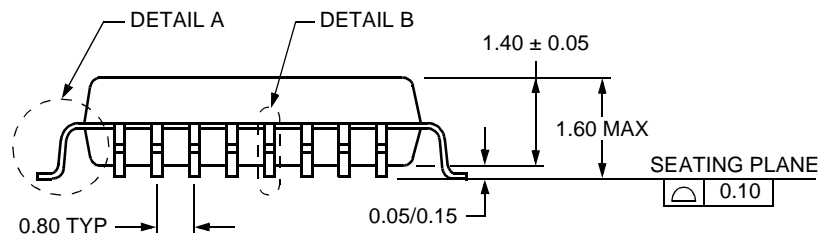
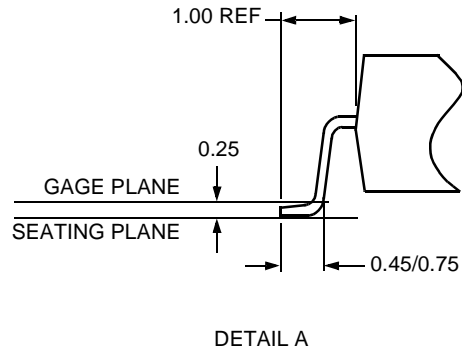
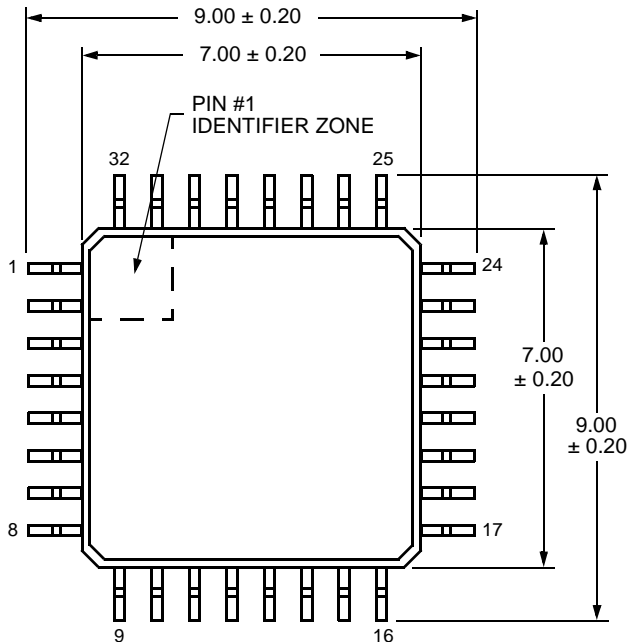
Figure 5. Dual Transmission Lines

In Figure 5, the two series resistors (R_s) are set at $22\ \Omega$ because the $14\ \Omega$ output buffer can be viewed as two $28\ \Omega$ resistors in parallel. Accordingly, for each transmission line, the impedance is well matched.

Outline Diagram

32-Pin TQFP

Dimensions are in millimeters.



12-3076(F)

Motorola is a registered trademark of Motorola, Inc.

For additional information, contact your Agere Systems Account Manager or the following:

INTERNET: <http://www.agere.com>

E-MAIL: docmaster@agere.com

N. AMERICA: Agere Systems Inc., 555 Union Boulevard, Room 30L-15P-BA, Allentown, PA 18109-3286

1-800-372-2447, FAX 610-712-4106 (In CANADA: 1-800-553-2448, FAX 610-712-4106)

ASIA: Agere Systems Hong Kong Ltd., Suites 3201 & 3210-12, 32/F, Tower 2, The Gateway, Harbour City, Kowloon

Tel. (852) 3129-2000, FAX (852) 3129-2020

CHINA: (86) 21-5047-1212 (Shanghai), (86) 10-6522-5566 (Beijing), (86) 755-695-7224 (Shenzhen)

JAPAN: (81) 3-5421-1600 (Tokyo), KOREA: (82) 2-767-1850 (Seoul), SINGAPORE: (65) 778-8833, TAIWAN: (886) 2-2725-5858 (Taipei)

EUROPE: Tel. (44) 7000 624624, FAX (44) 1344 488 045

Agere Systems Inc. reserves the right to make changes to the product(s) or information contained herein without notice. No liability is assumed as a result of their use or application.