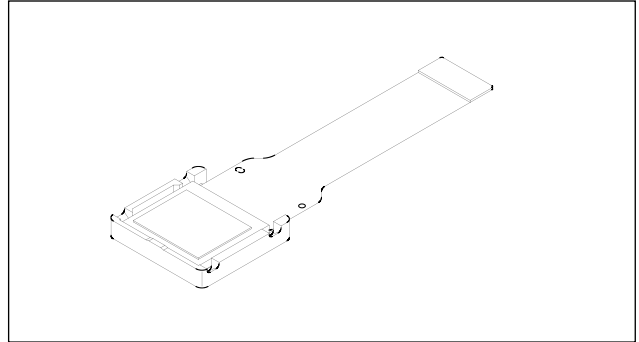


1.4cm (0.44 Type) NTSC/PAL Color LCD Panel

Description

The LCX033ANB is a 1.1cm diagonal active matrix TFT-LCD panel addressed by polycrystalline silicon super thin film transistors with built-in peripheral driving circuit. This panel provides full-color representation in NTSC/PAL mode. RGB dots are arranged in a delta pattern featuring high picture quality of no fixed color patterns, which is inherent in vertical stripes and mosaic pattern arrangements.



Features

- The number of active dots: 180,000 (0.44 Type; 1.1cm in diagonal)
- Horizontal resolution: 400 TV lines
- High optical transmittance: 4.0% (typ.)
- High contrast ratio with normally white mode: 200 (typ.)
- Built-in H and V drivers (built-in input level conversion circuit, TTL drive possible)
- High quality picture representation with RGB delta arranged color filters
- Full-color representation
- NTSC/PAL compatible
- Up/down and/or right/left inverse display function
- 4:3 and 16:9 aspect switching function
- Power save mode (Through current reduction by stop of level shifter and scanner during power supply cutoff)

Element Structure

- Dots

Total dots : 827 (H) × 228 (V) = 188,556

Active dots: 800 (H) × 225 (V) = 180,000

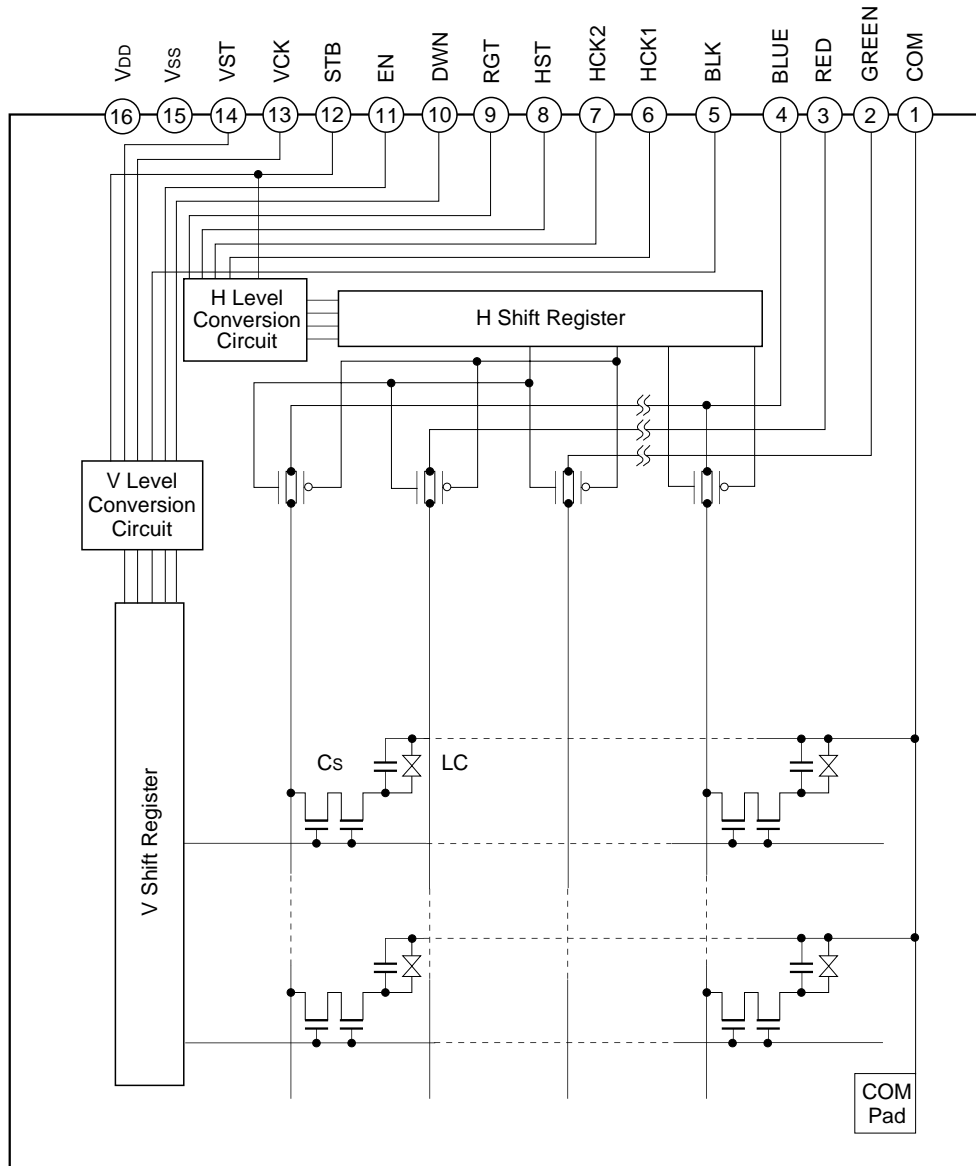
- Built-in peripheral driver using polycrystalline silicon super thin film transistors.

Applications

- Viewfinders
- Super compact liquid crystal monitors etc.

Sony reserves the right to change products and specifications without prior notice. This information does not convey any license by any implication or otherwise under any patents or other right. Application circuits shown, if any, are typical examples illustrating the operation of the devices. Sony cannot assume responsibility for any problems arising out of the use of these circuits.

Block Diagram



Absolute Maximum Ratings ($V_{SS} = 0V$)

• H and V driver supply voltages	V_{DD}	-1.0 to +17	V
• Common pad voltage	COM	-1.0 to +17	V
• H driver input pin voltage	HST, HCK1, HCK2 RGT	-1.0 to +17	V
• V driver input pin voltage	VST, VCK EN, BLK, DWN	-1.0 to +17	V
• Power save mode input pin voltage	STB	-1.0 to +17	V
• Video signal input pin voltage	GREEN, RED, BLUE	-1.0 to +15	V
• Operating temperature	T_{opr}	-10 to +70	°C
• Storage temperature	T_{stg}	-30 to +85	°C

Operating Conditions ($V_{SS} = 0V$)

Supply voltage

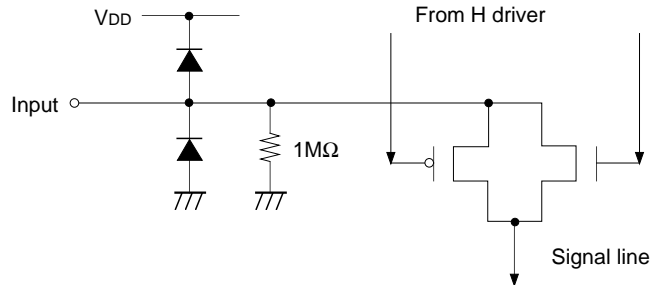
 V_{DD} 11.4 to 14.0 VInput pulse voltage (V_{p-p} of all input pins except video signal input pins) V_{in} 2.6V (more than)**Pin Description**

Pin No.	Symbol	Description	Pin No.	Symbol	Description
1	COM	Common voltage of panel	9	RGT	Drive direction pulse for H shift register (H: normal, L: reverse)
2	GREEN	Video signal (G) to panel	10	DWN	Drive direction pulse for V shift register (H: normal, L: reverse)
3	RED	Video signal (R) to panel	11	EN	Enable pulse for gate selection
4	BLUE	Video signal (B) to panel	12	STB	For power save mode control (L-power save mode)
5	BLK	Top/bottom block display pulse	13	VCK	Clock pulse for V shift register drive
6	HCK1	Clock pulse for H shift register drive	14	VST	Start pulse for V shift register drive
7	HCK2	Clock pulse for H shift register drive	15	V_{SS}	GND (H, V drivers)
8	HST	Start pulse for H shift register drive	16	V_{DD}	Power supply for H and V drivers

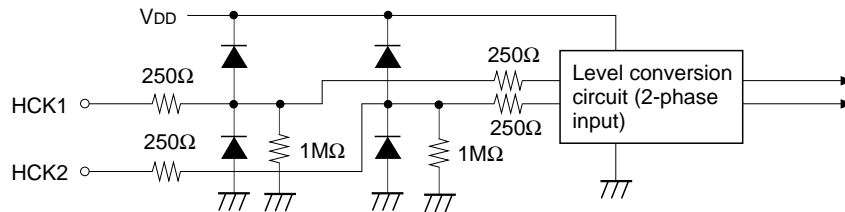
Input Equivalent Circuit

To prevent static charges, protective diodes are provided for each pin except the power supply. In addition, protective resistors are added to all pins except video signal input. All pins are connected to Vss with a high resistance of 1MΩ (typ.). The equivalent circuit of each input pin is shown below: (The resistor value: typ.)

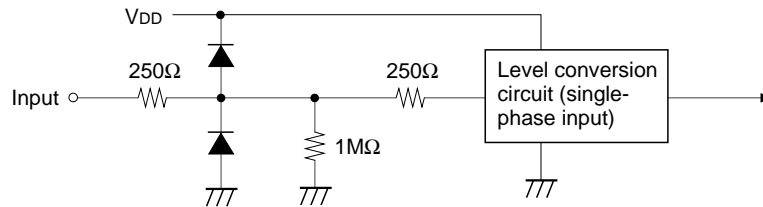
(1) Video signal input



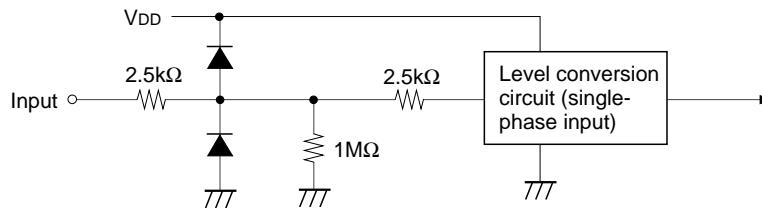
(2) HCK1, HCK2



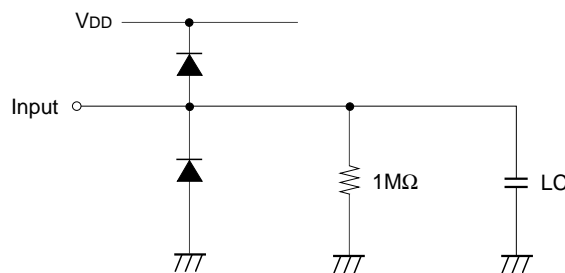
(3) HST



(4) RGT, VST, EN, VCK, BLK, DWN, STB



(5) COM



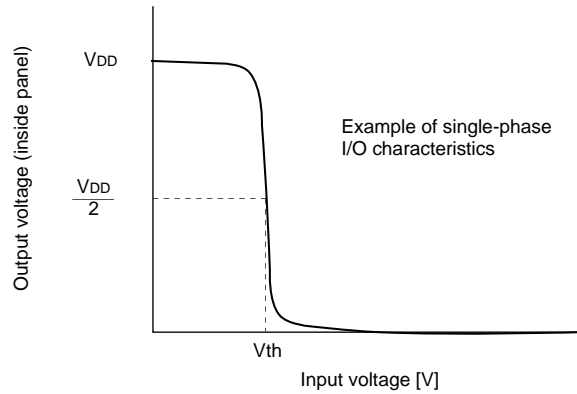
Level Conversion Circuit

The LCX033ANB has a built-in level conversion circuit in the clock input unit located inside the panel. The circuit voltage is stepped up to V_{DD} inside the panel. This level conversion circuit meets the specifications of a 3.0V power supply of the externally-driven IC.

1. I/O characteristics of level conversion circuit

(For a single-phase input unit)

An example of the I/O voltage characteristics of a level conversion circuit is shown in the figure to the right. The input voltage value that becomes half the output voltage (after voltage conversion) is defined as V_{th} . The V_{th} value varies depending on the V_{DD} voltage. The V_{th} values under standard conditions are indicated in the table below. (HST, VST, EN, RGT, VCK, BLK, DWN and STB in the case of a single-phase input)

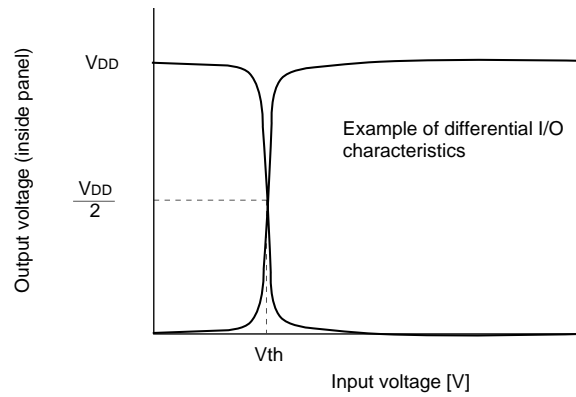


$V_{DD} = 12.0V$

Item	Symbol	Min.	Typ.	Max.	Unit
Vth voltage of circuit	Vth	0.35	1.50	2.60	V

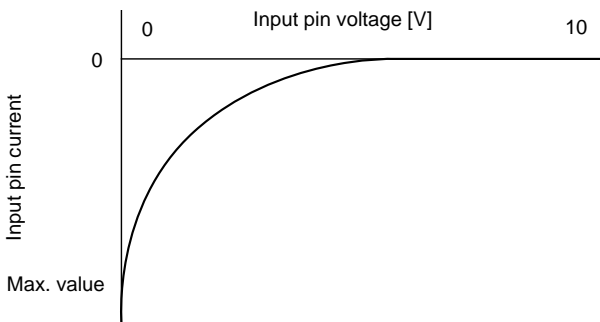
(For a differential input unit)

An example of I/O voltage characteristics of a level conversion circuit for a differential input is shown in the figure to the right. Although the characteristics, including those of the V_{th} voltage, are basically the same as those for a single-phased input, the two-phased input phase is defined. (Refer to clock timing conditions.)

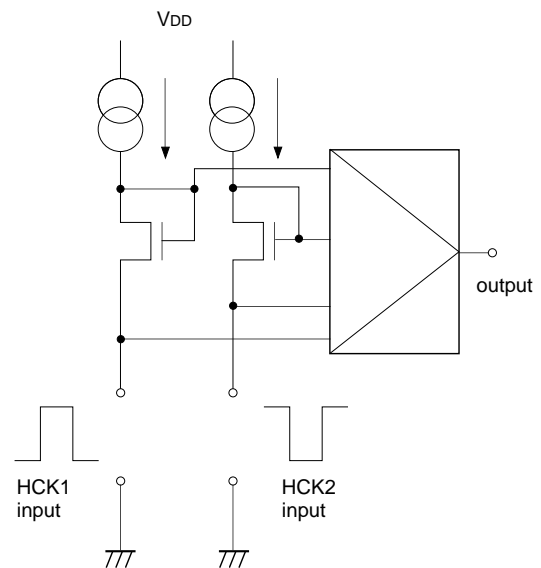


2. Current characteristics at the input pin of level conversion circuit

A slight pull-in current is generated at the input pin of the level conversion circuit. (The equivalent circuit is shown to the right.) The current volume increases as the voltage at the input pin decreases, and is maximized when the pin is grounded. (Refer to electrical characteristics.)



Pull-in current characteristics at the input pin



Level conversion equivalent circuit

Input Signals

1. Input signal voltage conditions ($V_{SS} = 0V$, $V_{DD} = 11.4$ to $14.0V$)

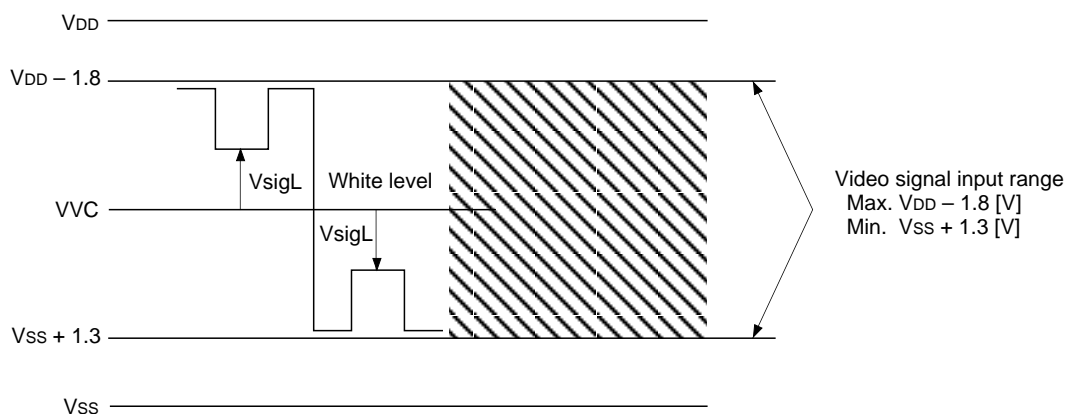
Item		Symbol	Min.	Typ.	Max.	Unit
H driver input voltage (HST, HCK1, HCK2, RGT)	(Low)	VHIL	-0.35	0.0	0.35	V
	(High)	VHIH	2.6	3.0	3.5	V
V driver input voltage (VST, VCK, EN, BLK, DWN)	(Low)	VVIL	-0.35	0.0	0.35	V
	(High)	VVIH	2.6	3.0	3.5	V
Common voltage of panel		V_{COM}	$VVC - 0.45$	$VVC - 0.3$	$VVC - 0.15$	V

Item	Symbol	Min.	Typ.	Max.	Unit
Video signal input range	Vsig	$V_{SS} + 1.3$		$V_{DD} - 1.8$	V
Video signal input white level	VsigL	0.5			V

Note) Video signal shall be symmetrical to video signal center voltage VVC.

Supplement1) Video signal input range is set within the range shown below for V_{DD} and V_{SS} .

Also, video signal white level is defined for VVC as shown below.



Supplement2) When power save mode is used, use video signal and COM pin within the condition $\pm 0.15V$ to prevent DC applying to LCD.

2. Clock timing conditions (Ta = 25°C, Input voltage = 3.0V, V_{DD} = 12.0V)

	Item	Symbol	Min.	Typ.	Max.	Unit
HST	Hst rise time	trHst			30	ns
	Hst fall time	tfHst			30	
	Hst data set-up time	tdHst	-100	60	130	
	Hst data hold time	thHst	-200	-120	-50	
HCK	Hckn ^{*2} rise time	trHckn			30	ns
	Hckn ^{*2} fall time	tfHckn			30	
	Hck1 fall to Hck2 rise time	to1Hck	-15	0	15	
	Hck1 rise to Hck2 fall time	to2Hck	-15	0	15	
VST	Vst rise time	trVst			100	μs
	Vst fall time	tfVst			100	
	Vst data set-up time	tdVst	-50	32	50	
	Vst data hold time	thVst	-50	-32	-20	
VCK	Vck rise time	trVck			100	ns
	Vck fall time	tfVck			100	
EN	En rise time	trEn			100	ns
	En fall time	tfEn			100	
	En fall time to Vck rise/fall time	toVck	100	3000	3500	
	Vck rise/fall to En rise time	tdVck	100	500	1000	
BLK ^{*3}	Blk rise time	trBlk			100	ms
	Blk fall time	tfBlk			100	
	Blk pulse width	twBlk		1.0		ns
	Blk fall to En rise time	tdEnb	600	700	800	

^{*2} Hckn means Hck1, Hck2. (fHckn = 2.75MHz, fVckn = 7.865kHz)

^{*3} BLK pulse is used only for 16:9 mode. For 4:3 mode, connect to V_{ss}.

<Horizontal Shift Register Driving Waveform>

Item		Symbol	Waveform	Conditions
HST	Hst rise time	trHst		<ul style="list-style-type: none"> Hckn*2 duty cycle 50% to1Hck = 0ns to2Hck = 0ns
	Hst fall time	tfHst		
	Hst data set-up time	tdHst		<ul style="list-style-type: none"> Hckn*2 duty cycle 50% to1Hck = 0ns to2Hck = 0ns
	Hst data hold time	thHst		
HCK	Hckn*2 rise time	trHckn		<ul style="list-style-type: none"> Hckn*2 duty cycle 50% to1Hck = 0ns to2Hck = 0ns tdHst = 135ns thHst = -135ns
	Hckn*2 fall time	tfHckn		
	Hck1 fall to Hck2 rise time	to1Hck		<ul style="list-style-type: none"> tdHst = 135ns thHst = -135ns
	Hck1 rise to Hck2 fall time	to2Hck		

<Vertical Shift Register Driving Waveform>

Item		Symbol	Waveform	Conditions
VST	Vst rise time	trVst		<ul style="list-style-type: none"> • VCK duty cycle 50%
	Vst fall time	tfVst		
	Vst data set-up time	tdVst		
	Vst data hold time	thVst		
VCK	Vck rise time	trVck		<ul style="list-style-type: none"> • VCK duty cycle 50% tdVst = 32μs thVst = -32μs
	Vck fall time	tfVck		
EN	En rise time	trEn		<ul style="list-style-type: none"> • VCK duty cycle 50%
	En fall time	tfEn		
	En fall to Vck rise/fall time	toVck		
	Vck rise/fall to En rise time	tdVck		
BLK	Blk rise time	trBlk		
	Blk fall time	tfBlk		
	Blk pulse width	twBlk		
	Blk fall to En rise time	tdEnb		

*4 Definitions: The right-pointing arrow (●→) means +.
 The left-pointing arrow (←●) means -.
 The black dot at an arrow (●) indicates the start of measurement.

Electrical Characteristics

(Ta = 25°C, VDD = 12.0V, Input voltage = 3.0V)

1. Horizontal drivers

Item	Symbol	Min.	Typ.	Max.	Unit	Condition
Input pin capacitance	HCKn		5	10	pF	
	HST		5	10	pF	
Input pin current	HCK1	-500	-130		μA	HCK1 = GND
	HCK2	-500	-150		μA	HCK2 = GND
	HST	-300	-20		μA	HST = GND
	RGT	-100	-15		μA	RGT = GND
	STB	-100	-15		μA	STB = GND
Video signal input pin capacitance	Csig		50		pF	

2. Vertical drivers

Item	Symbol	Min.	Typ.	Max.	Unit	Condition
Input pin capacitance	VCK		5	10	pF	
	VST		5	10	pF	
VST EN DWN VCK BLK	IVst IEn IDwn IVck IBlk	-100	-15		μA	VST, EN, DWN, VCK, BLK = GND

3. Total power consumption of the panel

Item	Symbol	Min.	Typ.	Max.	Unit
Total power consumption of the panel (NTSC)	PWR		30	50	mW
Power consumption during power save (NTSC)			0.6		mW

4. VCOM input resistance, video signal input resistance

Item	Symbol	Min.	Typ.	Max.	Unit
VCOM – Vss input resistance	Rcom	0.5	1	1.2	MΩ
Video signal – Vss input resistance	Rsig	0.5	1	1.2	MΩ

Electro-optical Characteristics

(Ta = 25°C, NTSC mode)

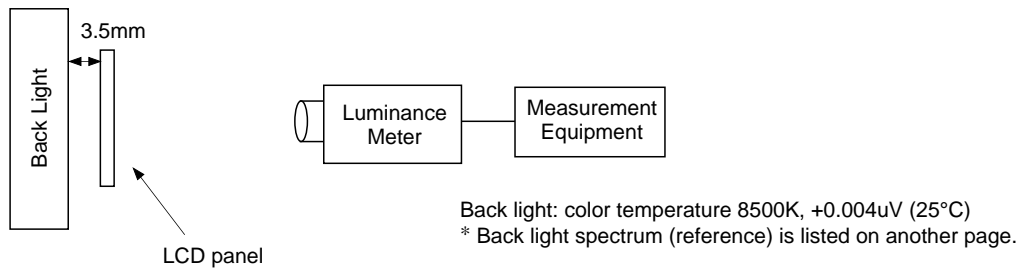
Item			Symbol	Measurement method	Min	Typ.	Max.	Unit
Contrast ratio	V _{DD} = 12.0V V _{sig} = 6.0 ± 4.0V	60°C	CR _{4.060}	1	70	200	—	—
		25°C	CR _{4.025}		70	200	—	
Optical transmittance		60°C	T	2	3.2	4.0	—	%
Chromaticity	R	X	R _x	3	0.580	0.620	0.660	CIE standards
		Y	R _y		0.300	0.340	0.380	
	G	X	G _x		0.250	0.290	0.330	
		Y	G _y		0.550	0.590	0.630	
	B	X	B _x		0.105	0.140	0.175	
		Y	B _y		0.070	0.110	0.150	
V-T characteristics	V ₉₀	25°C	V ₉₀₋₂₅	4	1.1	1.6	2.2	V
		60°C	V ₉₀₋₆₀		1.0	1.5	2.1	
	V ₅₀	25°C	V ₅₀₋₂₅		1.5	2.0	2.5	
		60°C	V ₅₀₋₆₀		1.4	1.9	2.4	
	V ₁₀	25°C	V ₁₀₋₂₅		2.2	2.6	3.2	
		60°C	V ₁₀₋₆₀		2.1	2.5	3.1	
Half tone color reproduction range		R vs. G	V _{50RG}	5	—	-0.10	-0.25	V
		B vs. G	V _{50BG}		—	0.07	0.45	
Response time	ON time	0°C	ton0	6	—	30	100	ms
		25°C	ton25		—	20	40	
	OFF time	0°C	toff0		—	65	150	
		25°C	toff25		—	20	60	
Flicker		60°C	F	7	—	—	-40	dB
Image retention time		60 min.	YT60	8	—	—	20	s

<Electro-optical Characteristics Measurement>

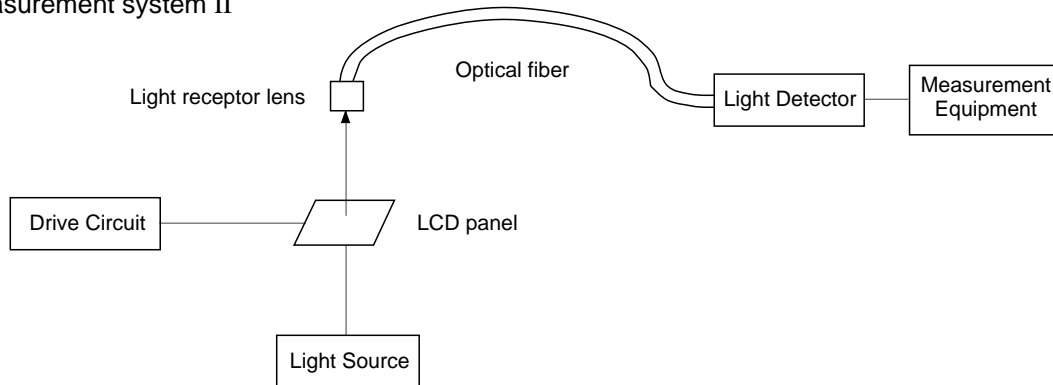
Basic measurement conditions

- (1) Driving voltage
 $V_{DD} = 12.0V$
 $V_{VC} = 6.0V, V_{COM} = 5.70V$
- (2) Measurement temperature
 $25^{\circ}C$ unless otherwise specified.
- (3) Measurement point
 One point in the center of screen unless otherwise specified.
- (4) Measurement systems
 Two types of measurement system are used as shown below.
- (5) RGB input signal voltage (V_{sig})
 $V_{sig} = 6.0 \pm V_{AC} [V]$ (V_{AC} : signal amplitude)

* Measurement system I



* Measurement system II



1. Contrast Ratio

Contrast Ratio ($CR_{4.0}$) is given by the following formula (1).

$$CR_{4.0} = \frac{L_{4.0} (White)}{L_{4.0} (Black)} \dots(1)$$

$L_{4.0} (White)$: Surface luminance of the TFT-LCD panel at $V_{DD} = 12.0V, V_{VC} = 6.0V, V_{COM} = 5.70V$ and the RGB signal amplitude $V_{AC} = 0.5V$.

$L_{4.0} (Black)$: Surface luminance of the panel at $V_{AC} = 4.0V$.

2. Optical Transmittance

Optical Transmittance (T) is given by the following formula (2).

$$T = \frac{L \text{ (White)}}{\text{Luminance of Back Light}} \times 100 [\%] \dots(2)$$

L (White) is the same expression as defined in the "Contrast Ratio" section.

3. Chromaticity

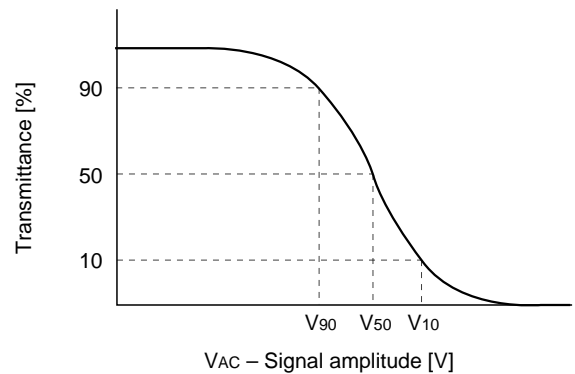
Chromaticity of the panels are measured by System I. Raster modes of each color are defined by the representations at the input signal amplitude conditions shown in the table below. System I uses Chromaticity of x and y on the CIE standards here.

		Signal amplitudes (V _{AC}) supplied to each input		
		R input	G input	B input
Raster	R	0.5	4.0	4.0
	G	4.0	0.5	4.0
	B	4.0	4.0	0.5

(Unit: V)

4. V-T Characteristics

V-T characteristics, the relationship between signal amplitude and the transmittance of the panels, are measured by System II. V₉₀, V₅₀ and V₁₀ correspond to the each voltage which defines 90%, 50% and 10% of transmittance respectively. (Transmittance at V_{AC} = 0.5V is 100%.)

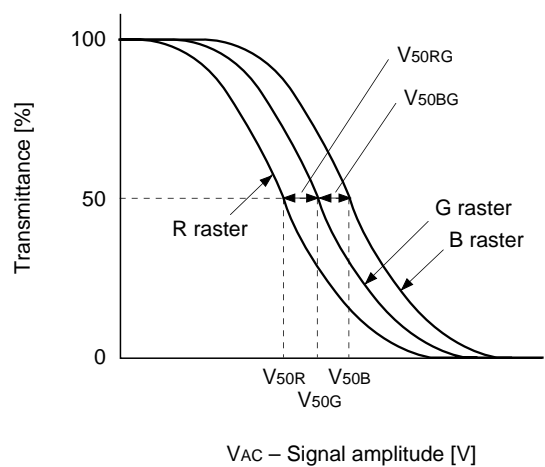


5. Half Tone Color Reproduction Range

Half tone color reproduction range of the LCD panels is characterized by the differences between the V-T characteristics of R, G and B. The differences of these V-T characteristics are measured by System II. System II defines signal voltages of each R, G, B raster modes which correspond to 50% of transmittance, V_{50R}, V_{50G} and V_{50B} respectively. V_{50RG} and V_{50BG}, the voltage differences between V_{50R} and V_{50G}, V_{50B} and V_{50G}, are simply given by the following formulas (3) and (4) respectively.

$$V_{50RG} = V_{50R} - V_{50G} \dots(3)$$

$$V_{50BG} = V_{50B} - V_{50G} \dots(4)$$



6. Response Time

Response time t_{on} and t_{off} are defined by the formulas (5) and (6) respectively.

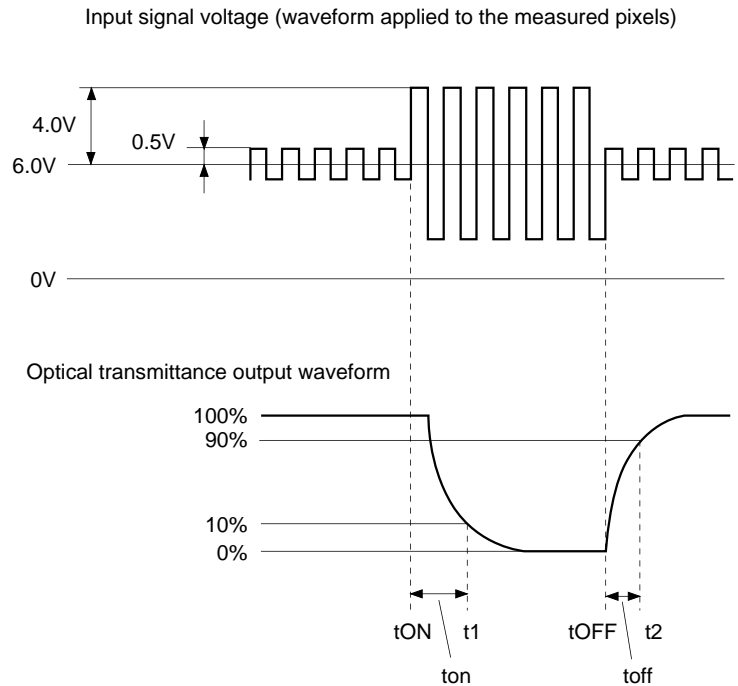
$$t_{on} = t_1 - t_{ON} \dots(5)$$

$$t_{off} = t_2 - t_{OFF} \dots(6)$$

t_1 : time which gives 10% transmittance of the panel.

t_2 : time which gives 90% transmittance of the panel.

The relationships between t_1 , t_2 , t_{ON} and t_{OFF} are shown in the right figure.



7. Flicker

Flicker (F) is given by the formula (7). DC and AC (NTSC: 30Hz, rms, PAL: 25Hz, rms) components of the panel output signal for gray raster* mode are measured by a DC voltmeter and a spectrum analyzer in System II.

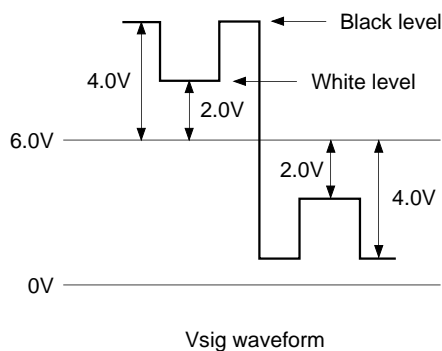
$$F \text{ (dB)} = 20 \log \left\{ \frac{\text{AC component}}{\text{DC component}} \right\} \dots(7)$$

* R, G, B input signal condition for gray raster mode is given by $V_{sig} = 6.0 \pm V_{50}$ (V) where: V_{50} is the signal amplitude which gives 50% of transmittance in V-T characteristics.

8. Image Retention Time

Apply the monoscope signal to the LCD panel for 60 minutes and then change this signal to the gray scale of $V_{sig} = 6.0 \pm V_{AC}$ (V_{AC} : 3 to 4V), judging by sight at V_{AC} that hold the maximum image retention, measure the time till the residual image becomes indistinct.

* Monoscope signal conditions:
 $V_{sig} = 6.0 \pm 4.0$ or 6 ± 2.0 (V)
 (shown in the right figure)
 $V_{COM} = 5.70V$



9. Method of Measuring the Optimum Vcom

There are two methods of measuring the optimum Vcom using the photoelectric element.

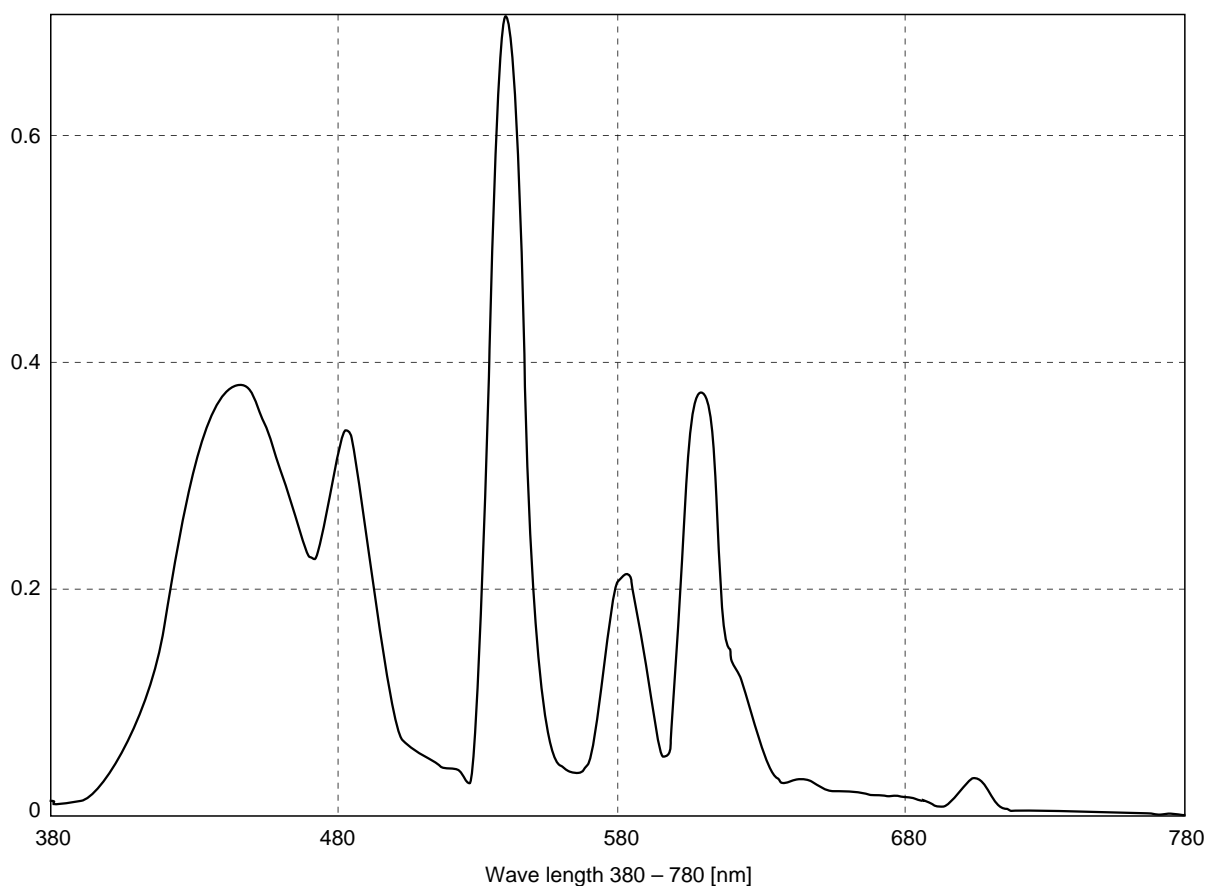
9-1. Method of Measuring Flicker

In the field invert drive mode, adjust the flicker level of the half tone ($V_{sig} = 1.5$ to $2.5V$) using the photoelectric element and oscilloscope so that its 30Hz component becomes minimum. The Vcom value at this time is taken to be the optimum Vcom.

9-2. Method of Measuring Contrast

In the normal 1H invert drive mode, adjust the optical output voltage of the half tone ($V_{sig} = 1.5$ to $2.5V$) so that it becomes minimum. The Vcom value at this time is taken to be the optimum Vcom.

Example of Back Light Spectrum (Reference)

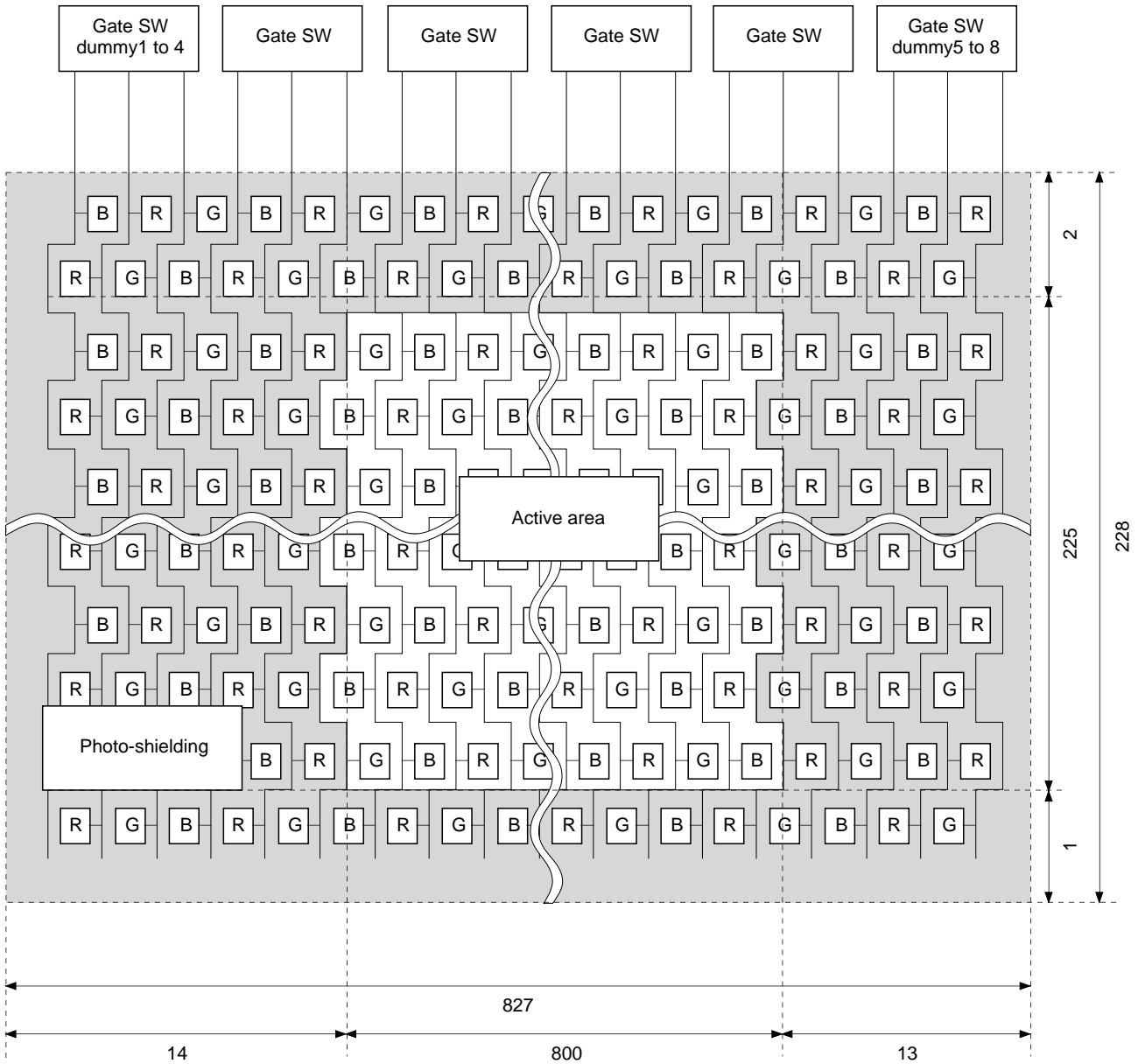


Description of Operation

1. Color Coding

Color filters are coded in a delta arrangement.

The shaded area is used for the dark border around the display.



2. LCD Panel Operations

- A vertical driver, which consists of vertical shift registers, enable-gates and buffers, applies a selected pulse to every 225 gate lines sequentially in every horizontal scanning period. A vertical shift register scans the gate lines from the top to bottom of the panel at DWN = High level.
- The selected pulse is delivered when the enable pin turns to High level. PAL mode images are displayed by controlling the enable and VCK pin. The enable pin should be High when not in use.
- A horizontal driver, which consists of horizontal shift registers, gates and CMOS sample-and-hold circuits applies selected pulses to every 800 signal electrodes sequentially in a single horizontal scanning period.
- Through current of the level shifter during power supply cutoff can be reduced by STB pin. (power save mode)
Power save mode is set at STB = Low level.
- Vertical and horizontal drivers address one pixel and then turn on Thin Film Transistors (TFTs; two TFTs) to apply a video signal to the dot. The same procedures lead to the entire 225 × 800 dots to display a picture in a single vertical scanning period.
- Pixel dots are arranged in a delta pattern, where sets of RGB pixels are positioned with 1.5-dot shifted against adjacent horizontal line. 1.5-dot shift of a horizontal driver output pulse against horizontal synchronized signal is required to apply a video signal to each dot properly. 1H reversed displaying mode is required to apply video signal to the panel.
- The video signal shall be input with polarity-inverted system in every horizontal cycle.
- Timing diagrams of the vertical and the horizontal right-direction scanning (RGT = High level) display cycle are shown below:

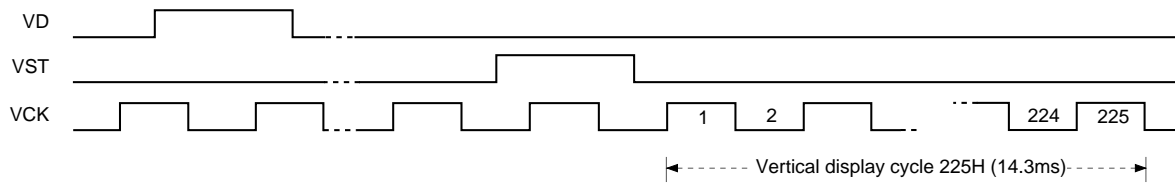
- This LCD panel provides the following functions.
 - Right/left inverse mode
 - Up/down inverse mode

These modes are controlled by two signals, RGT and DWN.

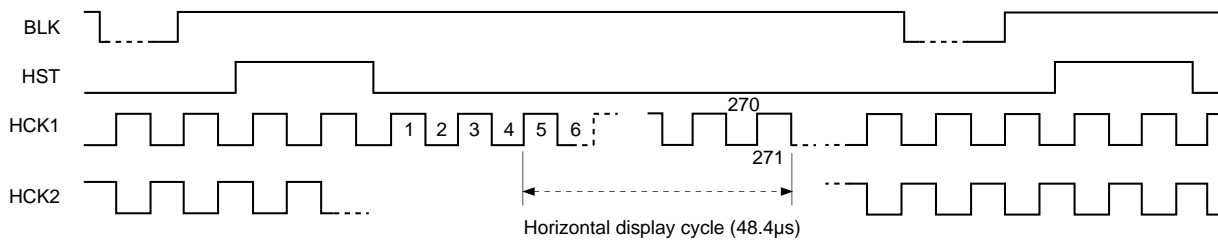
RGT	Mode	DWN	Mode
H	Right scan	H	Down scan
L	Left scan	L	Up scan

HCK1 and HCK2 should be inverted to display the left-direction horizontal scanning (RGT = Low level). This inversion enables the center of the image to be fixed by eliminating offsets. (When an example of system mentioned on this data sheet is used, TG performs this operation automatically.)

(1) Vertical display cycle



(2) Horizontal display cycle (right scan)



The horizontal display cycle consists of $800/3 = 267$ clock pulses because of RGB simultaneous sampling.
 * Refer to Description of Operation "3. RGB Simultaneous Sampling."

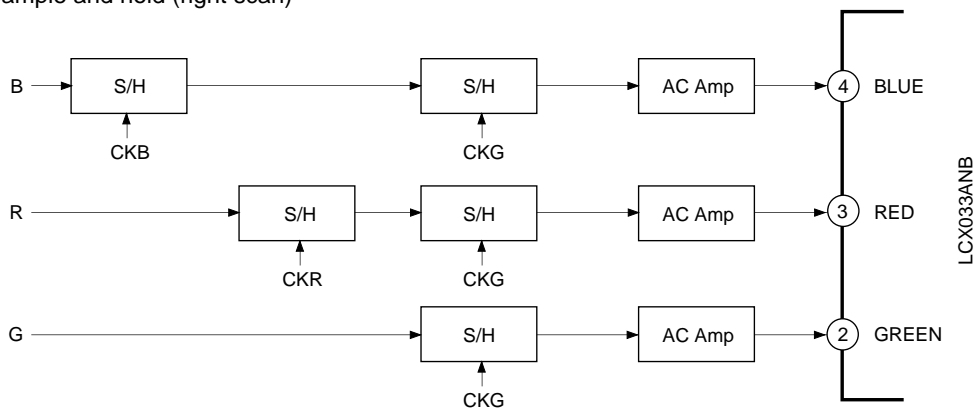
3. RGB Simultaneous Sampling

Horizontal driver samples R, G and B signal simultaneously, which requires the phase matching between R, G and B signals to prevent horizontal resolution from deteriorating. Thus phase matching between each signal is required using an external signal delaying circuit before applying video signal to the LCD panel.

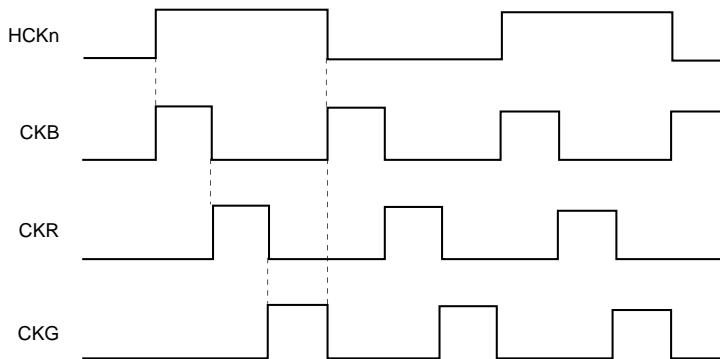
Two methods are applied for the delaying procedure: Sample and hold and Delay circuit. These two block diagrams are as follows.

The LCX033ANB has the right/left inverse function. The following phase relationship diagram indicates the phase setting for the right scan (RGT = High level). For the left scan (RGT = Low level), the phase setting shall be inverted between B and G signals.

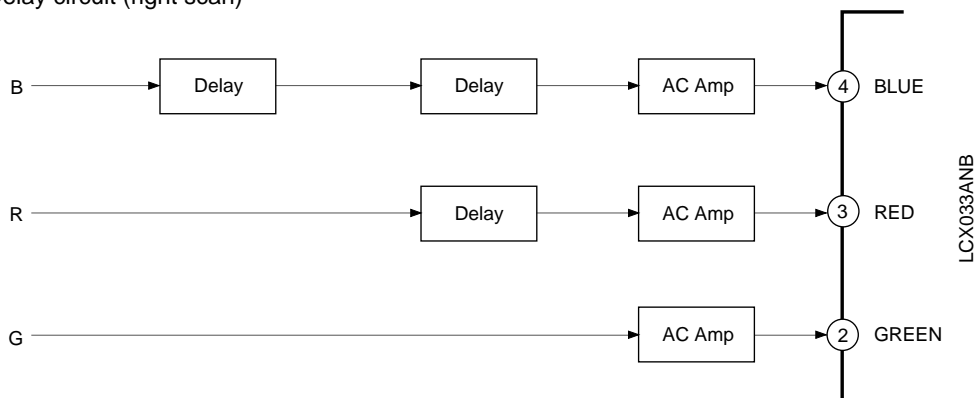
(1) Sample and hold (right scan)



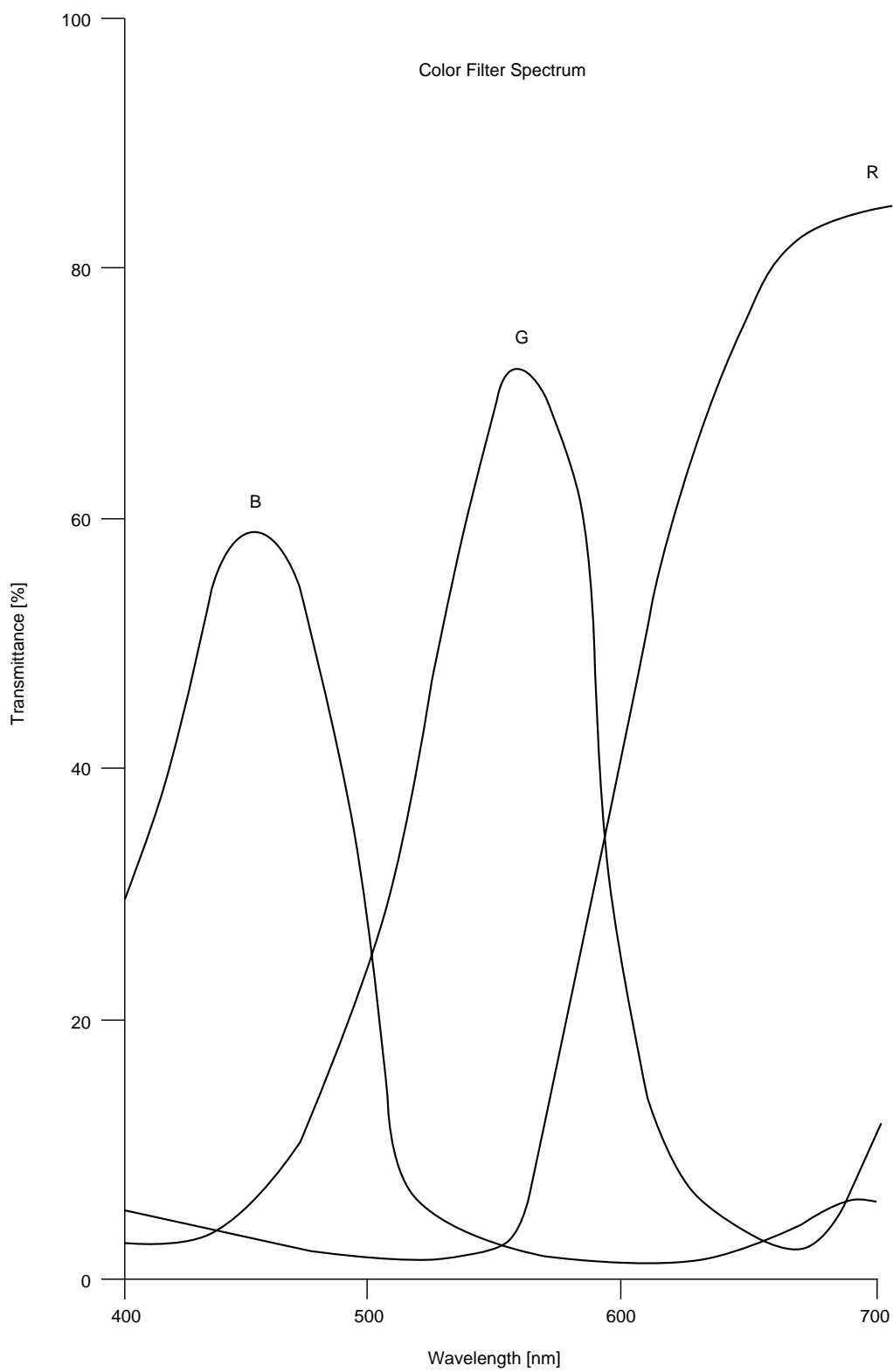
<Phase relationship of delaying sample-and-hold pulses> (right scan)



(2) Delay circuit (right scan)

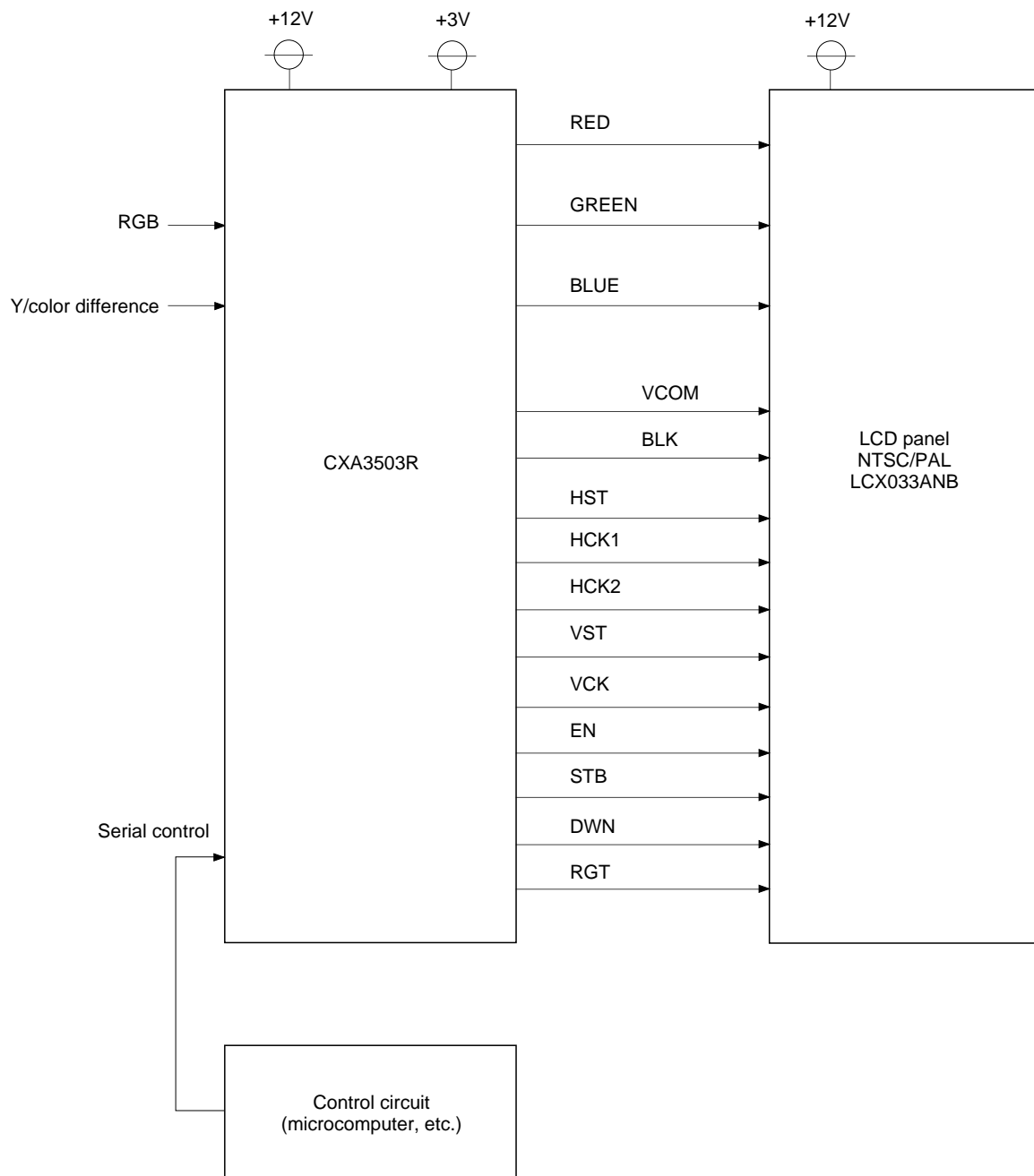


Example of Color Filter Spectrum (Reference)



Color Display System Block Diagram

An example of single-chip display system is shown below.



Notes on Handling**(1) Static charge prevention**

Be sure to take following protective measures. TFT-LCD panels are easily damaged by static charge.

- a) Use non-chargeable gloves, or simply use bare hands.
- b) Use an earth-band when handling.
- c) Do not touch any electrodes of a panel.
- d) Wear non-chargeable clothes and conductive shoes.
- e) Install conductive mat on the working floor and working table.
- f) Keep panels away from any charged materials.
- g) Use ionized air to discharge the panels.

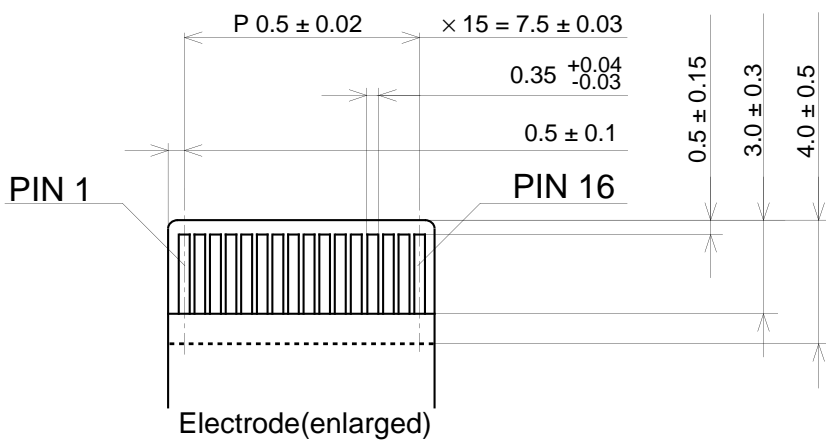
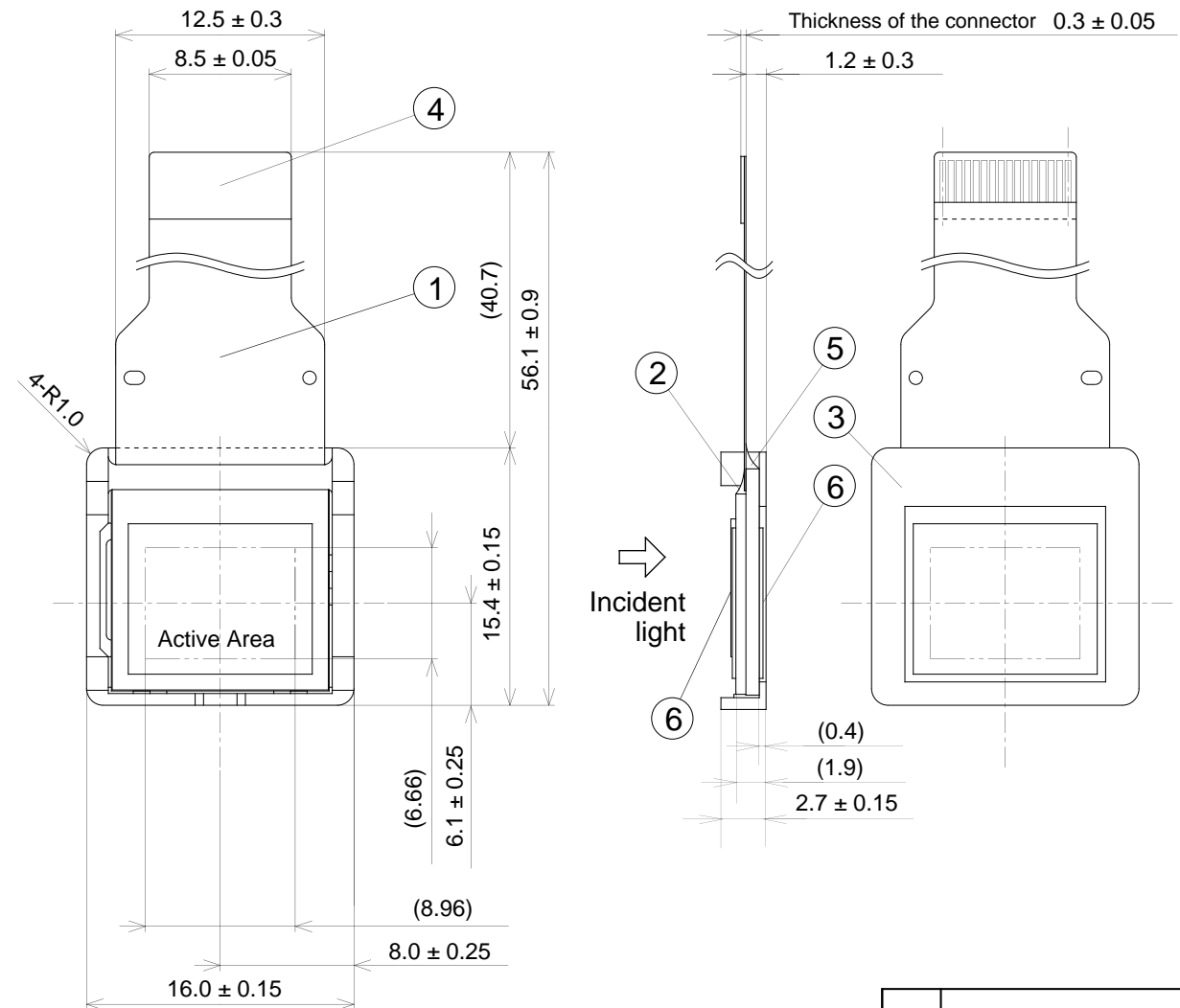
(2) Protection from dust and dirt

- a) Operate in clean environment.
- b) When delivered, a surface of a panel (Polarizer) is covered by a protective sheet. Peel off the protective sheet carefully not to damage the panel.
- c) Do not touch the surface of a panel. The surface is easily scratched. When cleaning, use a clean-room wiper with isopropyl alcohol. Be careful not to leave stain on the surface.
- d) Use ionized air to blow off dust at a panel.

(3) Other handling precautions

- a) Do not twist or bend the flexible PC board especially at the connecting region because the board is easily deformed.
- b) Do not drop a panel.
- c) Do not twist or bend a panel or a panel frame.
- d) Keep a panel away from heat source.
- e) Do not dampen a panel with water or other solvents.
- f) Avoid to store or to use a panel in a high temperature or in a high humidity, which may result in panel damages.

Package Outline Unit: mm



No	Description
1	F P C
2	Molding material
3	Outside frame
4	Reinforcing board
5	Reinforcing material
6	Polarizing film

Mass 0.9g