



## SINGLE PORT 10/100 BASE-T SMD LAN TRANSFORMERS

P/N: LCZ3A1CB

### Feature

- Compliant with IEEE 802.3u and ANSI X3.263 standards.
- Symmetrical TX and RX channels for auto MDI/MDIX capability.
- Customer deigns available for specific application.
- RoHS compliant.

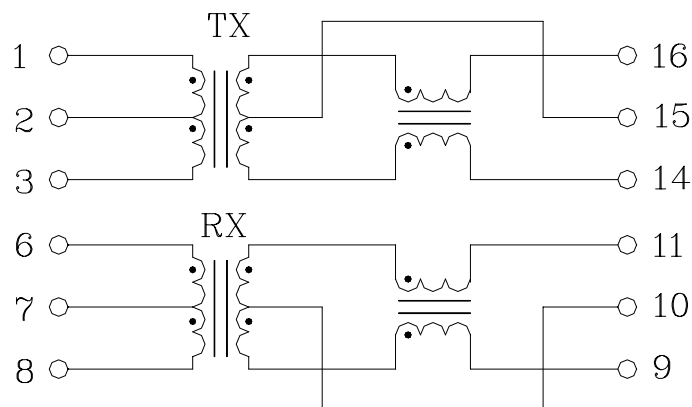


Electrical Specifications @ 25°C					
Part Number	Turns Ratio (±5%)		OCL(μH Min) @100KHz/0.1V with 8.0mA DC	Insertion Loss (dB Max)	HI-POT (Vrms)
	TX	RX		0.3-100MHz	
LCZ3A1CB	1CT:1CT	1CT:1CT	350	-1.15	1500

Electrical Specifications @ 25°C								
Part Number	Return Loss (dB Min)			Cross Talk (dB Min)		DCMR (dB Min)		
	0.3-30MHz	30-60MHz	60-80MHz	0.3-60MHz	60-100MHz	60MHz	100MHz	200MHz
LCZ3A1CB	-16	-12	-10	-45	-35	-37	-28	-25

\* Operating temperature range: 0°C to +70°C. Storage temperature range: -25°C to +125°C.

### Schematic



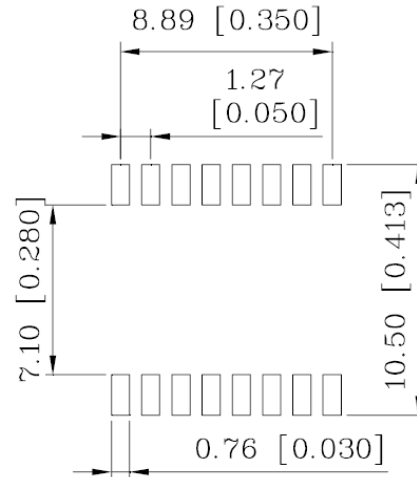
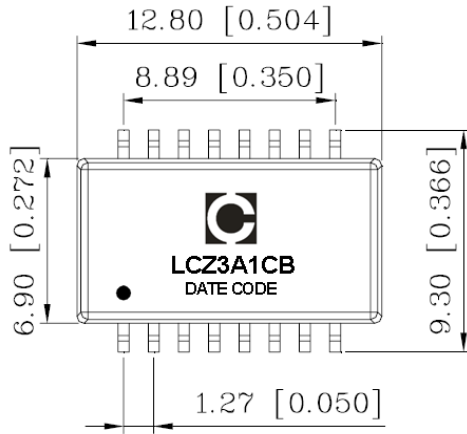
Tel:+86-757-81811611	Fax:+86-757-81811621
E-mail:sales@ceetus.com.cn	Website:www.ceetus.com.cn



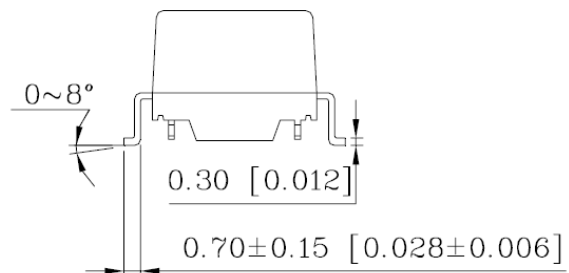
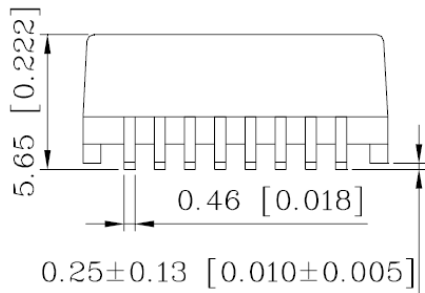
## SINGLE PORT 10/100 BASE-T SMD LAN TRANSFORMERS

P/N: LCZ3A1CB

### Mechanical



SUGGESTED PAD LAYOUT



Units: mm[Inches].

Tolerance:  $\pm 0.25(0.010)$  unless specified otherwise.

Tel:+86-757-81811611	Fax:+86-757-81811621
E-mail:sales@ceetus.com.cn	Website:www.ceetus.com.cn