

## 0.56"(14.2mm)Single Digit 7 Segment Display

### Features:

- \*Ultra segment intensity
- \*Wide viewing angle
- \*Range of colors
- \*Gray face White segment
- \*RoHS compliant

### Available option:

- \*Alternative face and segment color
- \*Alternative font
- \*Cropped terminal pins
- \*Available emitting color
- \*Low current version

### Electro/Optical Characteristics If=20mA Ta=25°C

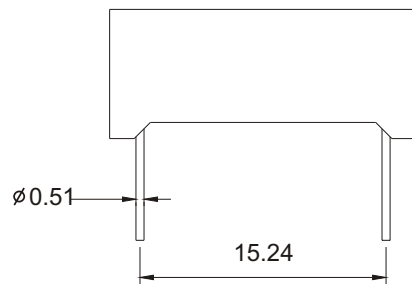
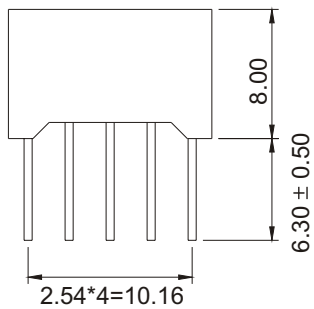
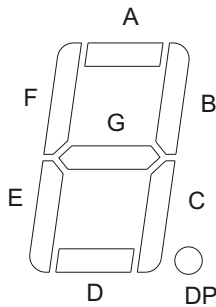
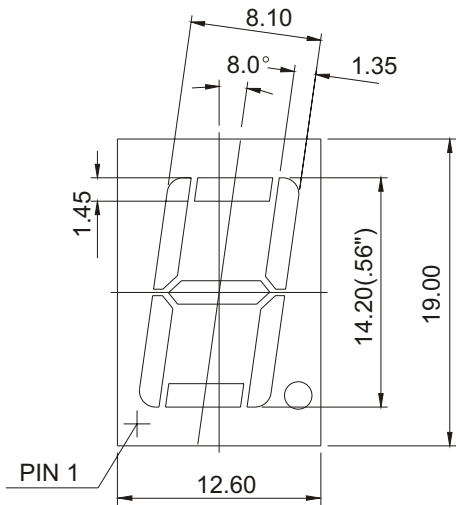
Part Number Common Cathode	Part Number Common Anode	Emitting Color	Peak Wavelength	Forward Voltage V <sub>F</sub> /Seg.		Luminous Intensity I <sub>v</sub> /Seg.	
				Typ.	Max.	Min.	Typ.
LD-S056UR-CC	LD-S056UR-C	GaAlAs/GaAs DDH Ultra Red	660	1.90	2.50	30.00	50.00
LD-S056UO-CC	LD-S056UO-C	AlGaInP/GaAs Ultra Orange	632	2.00	2.50	40.00	60.00
LD-S056UA-CC	LD-S056UA-C	AlGaInP/GaAs Ultra Amber	605	2.00	2.50	40.00	60.00
LD-S056UY-CC	LD-S056UY-C	AlGaInP/GaAs Ultra Yellow	590	2.00	2.50	40.00	60.00
LD-S056UG-CC	LD-S056UG-C	AlGaInP/GaAs Ultra Green	574	2.10	2.50	25.00	40.00
LD-S056UPG-CC	LD-S056UPG-C	InGaN/SiC Pure Green	525	3.50	4.00	50.00	80.00
LD-S056UB-CC	LD-S056UB-C	InGaN/SiC Ultra Blue	470	3.50	4.00	40.00	60.00
LD-S056UW-CC	LD-S056UW-C	InGaN/SiC Ultra White	X-0.31/Y-0.31	3.50	4.00	40.00	60.00
Units			nm	V		mcd	

### Maximum Ratings Ta=25°C (Derate above 25°C)

Characteristic	Test Condition	Symbol	UR	UE	YO	UY	UG	PG	UB	UW	Units
Pulse Forward Current Per Seg.	1/10 duty cycle 0.1ms Pulse width	I <sub>FP</sub>	100	100	100	100	100	100	100	100	mA
DC Forward Current Per Seg.		I <sub>F</sub>	25	30	30	30	30	30	30	30	mA
Reverse Current Per Seg.	V <sub>R</sub> =5V	I <sub>R</sub>	10	10	10	10	10	10	10	10	μA
Power Dissipation		P <sub>D</sub>	60*8	65*8	65*8	65*8	75*8	110*8	120*8	120*8	mW
Operating Temperature		T <sub>OPR</sub>	-40 to +80								°C
Storage Temperature		T <sub>TSG</sub>	-40 to +85								°C
Lead soldering temperature	1.60mm from body maximum 3 seconds		260								°C

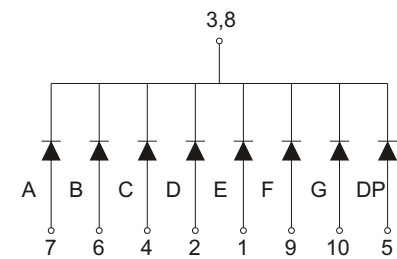
# 0.56"(14.20mm)Single Digit 7 Segment Display

## PACKAGE DIMENSION

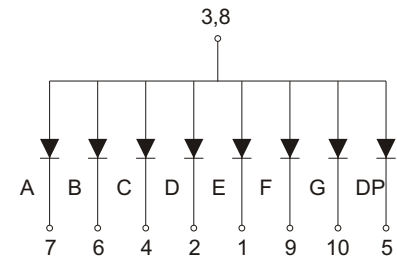


## INTERNAL CIRCUIT DIAGRAM

### Common Cathode LD-S056XX-CC



### Common Anode LD-S056XX-C



Tolerance  $\pm 0.25\text{mm}$  unless stated