

Green-Mode PWM Controller with BNO and OTP Protections

Rev. 00

General Description

The LD7539R is built-in with several functions, protection and EMI-improved solution in a tiny package. It takes less components counts or circuit space, especially ideal for those total solutions of low cost.

The implemented functions include low startup current, green-mode power-saving operation, leading-edge blanking of the current sensing and internal slope compensation. It also features more protections like BNO (Brownout), OTP (Over Temperature Protection), OLP (Over Load Protection) and OVP (Over Voltage Protection) to prevent circuit from any damage under abnormal conditions.

Furthermore, the Frequency Swapping function is to reduce the noise level and thus helps the power circuit designers to easily deal with the EMI filter design by spending minimum amount of component cost and developing time.

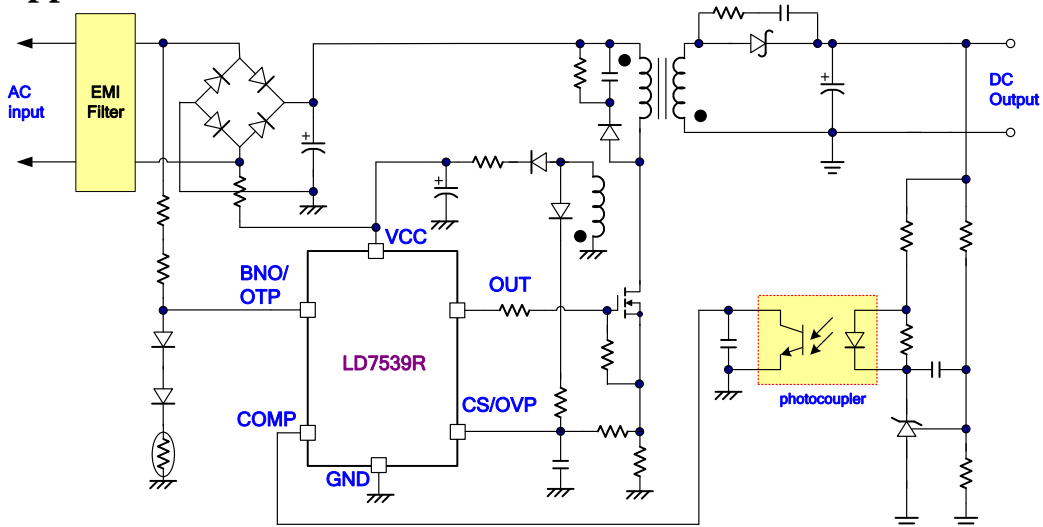
Features

- High-Voltage CMOS Process with Excellent ESD protection
- Very Low Startup Current (<14 μ A)
- Green Mode Control
- UVLO (Under Voltage Lockout)
- LEB (Leading-Edge Blanking) on CS Pin
- Internal Frequency Swapping
- Internal Slope Compensation
- AC Input BNO (Brownout) Protection
- OVP (Over Voltage Protection) on Vcc Pin
- Adjustment OVP(Over Voltage Protection) on CS Pin
- Adjustment OCP(Over Current Protection) on CS Pin
- OTP (Over Temperature Protection) through a NTC
- OLP (Over Load Protection)
- 250/-500mA Driving Capability

Applications

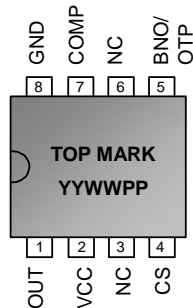
- Switching AC/DC Adaptor and Battery Charger
- Open Frame Switching Power Supply

Typical Application

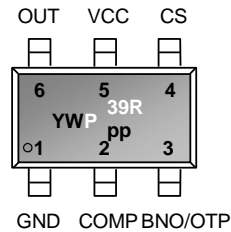


Pin Configuration

DIP-8 (TOP VIEW)



SOT-26 (TOP VIEW)



YY, Y : Year code (D: 2004, E: 2005.....)
 WW, W : Week code
 PP : Production code
 P39R : LD7539R

Ordering Information

| Part number | Package | Top Mark | Shipping |
|-------------|---------|-----------|--------------------|
| LD7539R GL | SOT-26 | YWP/39R | 3000 /tape & reel |
| LD7539R GN | DIP-8 | LD7539RGN | 3600 /tube /Carton |

The LD7539R is RoHs compliant/ Green Packaged.

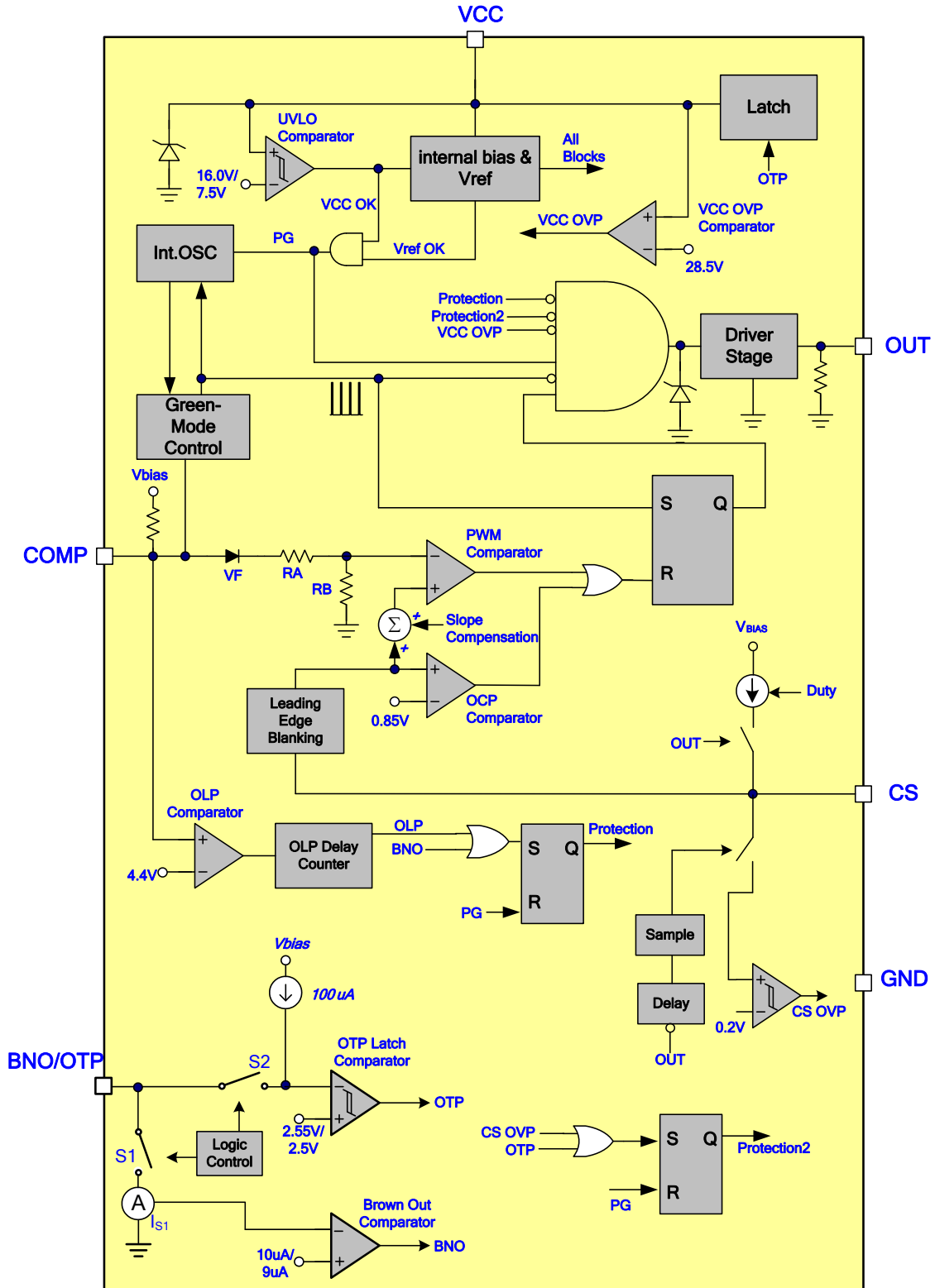
Protection Mode

| Switching Freq. | VCC OVP | CS OVP | OLP | OTP Pin |
|-----------------|---------------|---------------|---------------|---------|
| 65kHz | Auto recovery | Auto recovery | Auto recovery | Latch |

Pin Descriptions

| PIN SOT-26 | PIN DIP-8 | NAME | FUNCTION |
|---------------|--------------|---------|---|
| 1 | 8 | GND | Ground |
| 2 | 7 | COMP | Voltage feedback pin (same as the COMP pin in UC384X). Connect a photo-coupler to close the control loop and achieve the regulation. |
| 3 | 5 | BNO/OTP | This pin is connected to the AC line input via two resistors to achieve brownout function. This pin also can achieve the OTP latching function by connecting an external NTC thermal resistor from this pin to GND pin. |
| 4 | 4 | CS/OVP | Current sense pin, connect it to sense the MOSFET current. This pin is also connected to an auxiliary winding of the PWM transformer through a resistor and a diode for output over-voltage protection. |
| 5 | 2 | VCC | Supply voltage pin |
| 6 | 1 | OUT | Gate drive output to drive the external MOSFET |

Block Diagram



Absolute Maximum Ratings

| | |
|--|-----------------|
| Supply Voltage VCC..... | -0.3V ~30V |
| COMP, BNO/OTP, CS..... | -0.3V ~6V |
| OUT..... | -0.3V ~Vcc+0.3V |
| Maximum Junction Temperature..... | 150°C |
| Storage Temperature Range..... | -65°C to 150°C |
| Package Thermal Resistance (SOT-26, θ_{JA})..... | 250°C/W |
| Package Thermal Resistance (DIP-8, θ_{JA})..... | 100°C/W |
| Power Dissipation (SOT-26, at Ambient Temperature = 85°C)..... | 160mW |
| Power Dissipation (DIP-8, at Ambient Temperature = 85°C)..... | 400mW |
| Lead temperature (Soldering, 10sec)..... | 260°C |
| ESD Voltage Protection, Human Body Model..... | 2.5 KV |
| ESD Voltage Protection, Machine Model..... | 250 V |

Caution:

Stress exceeding Maximum Ratings may damage the device. Maximum Ratings are stress ratings only. Functional operation above the Recommended Operating Conditions is not implied. Extended exposure to stress above Recommended Operating Conditions may affect device reliability.

Recommended Operating Conditions

| Item | Min. | Max. | Unit |
|--|------|------|------|
| Operating Ambient Temperature | -40 | 85 | °C |
| Operating Junction Temperature | -40 | 125 | °C |
| Supply VCC Voltage | 8.5 | 26.5 | V |
| VCC Capacitor | 3.3 | 10 | μF |
| Start-up resistor Value (AC Side, Half Wave) | 400K | 1.8M | Ω |
| Comp Pin Capacitor | 1 | 100 | nF |
| CS Pin Capacitor Value | 47 | 390 | pF |

Note:

1. It's essential to connect VCC pin with a SMD ceramic capacitor (0.1μF~0.47μF) to filter out the undesired switching noise for stable operation. This capacitor should be placed close to IC pin as possible
2. Connecting a capacitor to COMP pin is also essential to filter out the undesired switching noise for stable operation.
3. The small signal components should be placed to IC pin as possible.

Electrical Characteristics

($T_A = +25^\circ\text{C}$ unless otherwise stated, $V_{CC}=15.0\text{V}$)

| PARAMETER | CONDITIONS | MIN | TYP | MAX | UNITS |
|---|--|-------|-------|-------|---------------|
| Supply Voltage (Vcc Pin) | | | | | |
| Startup Current | $V_{CC} < UVLO$ (ON) | | 9 | 14 | μA |
| Operating Current (with 1nF load on OUT pin) | $V_{COMP}=0\text{V}$ | 0.5 | 0.58 | 0.66 | mA |
| | $V_{COMP}=3\text{V}$ | | 1.85 | | mA |
| | OLP Tripped/ Auto | | 0.45 | | mA |
| | OVP Tripped/ Auto | | 0.45 | | mA |
| | BNO Tripped/ Auto | | 0.45 | | mA |
| | OTP Pin Tripped/Latch | | | 0.95 | |
| Holding Current | $V_{CC}=6\text{V}$ (latched) | 370 | 430 | 490 | μA |
| UVLO (off) | | 7.0 | 7.5 | 8.0 | V |
| UVLO (on) | | 15 | 16 | 17 | V |
| BNO Enable VCC Level | | 12 | 13 | 14 | V |
| VCC OVP Level | | 27.5 | 28.5 | 29.5 | V |
| VCC OVP pin de-bounce time | * | | 8 | | cycle |
| Voltage Feedback (Comp Pin) | | | | | |
| Short Circuit Current | $V_{COMP}=0\text{V}$ | 0.105 | 0.125 | 0.145 | mA |
| Open Loop Voltage | COMP pin open | 4.75 | 5 | 5.25 | V |
| Green Mode Threshold VCOMP | * | | 2.4 | | V |
| Zero Duty Threshold VCOMP | | | 1.4 | | V |
| Zero Duty Hysteresis | | | 100 | | mV |
| Current Sensing (CS/OVP pin) | | | | | |
| Maximum Input Voltage, V_{CS_OFF} | | 0.837 | 0.85 | 0.863 | V |
| Max. OCP Compensation Current, I_{OCP} | | 234 | 240 | 246 | μA |
| Leading Edge Blanking Time, LEB | | 170 | 230 | 290 | ns |
| Internal Slope Compensation | 0% to D_{MAX} . (Linearly increase)* | | 300 | | mV |
| Input impedance | | 1 | | | $M\Omega$ |
| Delay to Output | * | | | 100 | ns |
| Soft Start Duration | * | | 6.5 | | ms |
| Over Voltage Protection (CS/OVP pin) | | | | | |
| OVP Trip Current Level | | 0.182 | 0.2 | 0.218 | V |
| De-bounce Cycle | * | | 8 | | Cycle |

| PARAMETER | CONDITIONS | MIN | TYP | MAX | UNITS |
|---|--------------------------------------|------|-----------|------|---------|
| Oscillator for Switching Frequency | | | | | |
| Frequency, FREQ | | 63 | 65 | 67 | kHz |
| Green Mode Frequency, FREQG | | 21.5 | 25 | 28 | kHz |
| Frequency Swapping | $V_{COMP} > 3V$ | | ± 4.0 | | kHz |
| Temp. Stability | $(-20^{\circ}C \sim -85^{\circ}C)^*$ | 0 | 5 | | % |
| Voltage Stability | $(V_{CC} = 11V \sim 25V)^*$ | 0 | 1 | | % |
| Gate Drive Output (OUT Pin) | | | | | |
| Output Low Level | $V_{CC} = 15V, I_o = 20mA$ | | | 1 | V |
| Output High Level | $V_{CC} = 15V, I_o = 20mA$ | 8 | | 15 | V |
| Output High Clamp Level | $V_{CC} = 20V$ | 13 | 15 | 17 | V |
| Rising Time | Load Capacitance=1000pF | | 150 | 250 | ns |
| Falling Time | Load Capacitance=1000pF | | 50 | 100 | ns |
| Max. Duty | | 71 | 75 | 79 | % |
| OLP (Over Load Protection) | | | | | |
| OLP Trip Level | | 4.2 | 4.4 | 4.6 | V |
| OLP Delay Time at start-up | OLP+ Soft Start* | | 71.5 | | ms |
| OLP Delay Time after start-up | | 60 | 65 | 70 | ms |
| BNO Pin Protection (BNO/OTP Pin) Auto Recovery | | | | | |
| BNO IN Trip Level | | 9.2 | 10 | 10.8 | μA |
| BNO Out Trip Level | | 8.28 | 9 | 9.72 | μA |
| BNO IN De-bounce Time | $V_{COMP} > 3V$ | | 250 | | μs |
| BNO Out De-bounce Time | $V_{COMP} > 3V$ | 63 | 70 | 77 | ms |
| OTP Pin Latch Protection (BNO/OTP Pin) | | | | | |
| OTP Pin Source Current | | 93 | 100 | 107 | μA |
| OTP Turn-On Trip Level | | 2.50 | 2.55 | 2.60 | V |
| OTP Turn-Off Trip Level | | 2.45 | 2.5 | 2.55 | V |
| OTP pin de-bounce time | $V_{COMP} > 3V$ | 400 | 500 | 600 | μs |
| OTP detect time | * | | 2 | | ms |

*: Guaranteed by design.

Typical Performance Characteristics

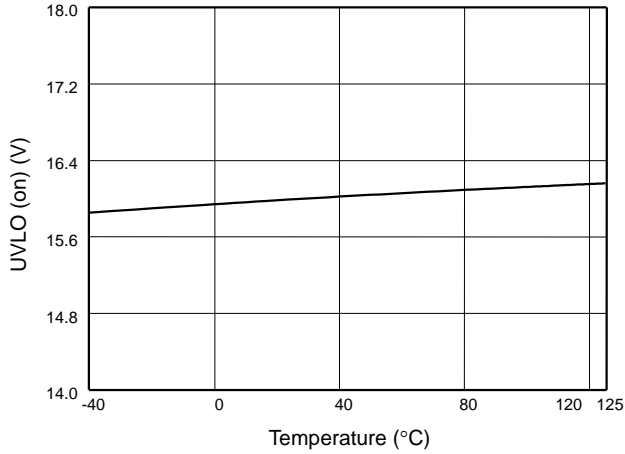


Fig. 1 UVLO (on) vs. Temperature

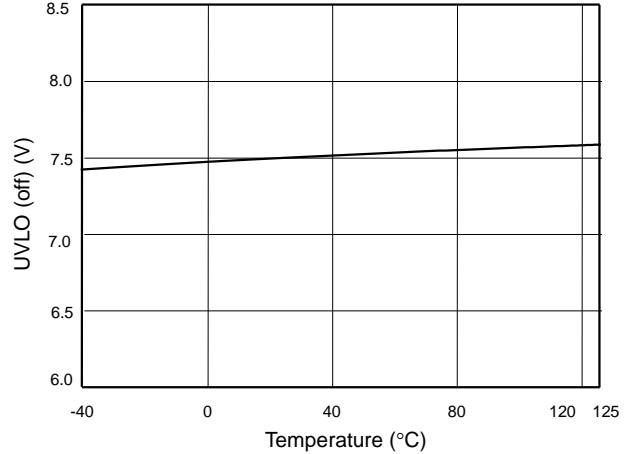


Fig. 2 UVLO (off) vs. Temperature

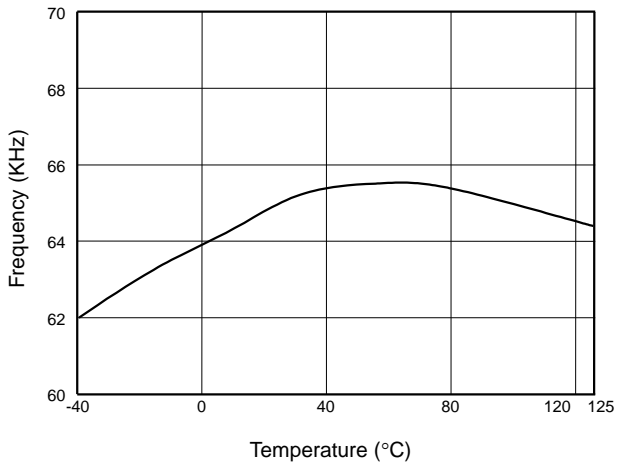


Fig. 3 Frequency vs. Temperature

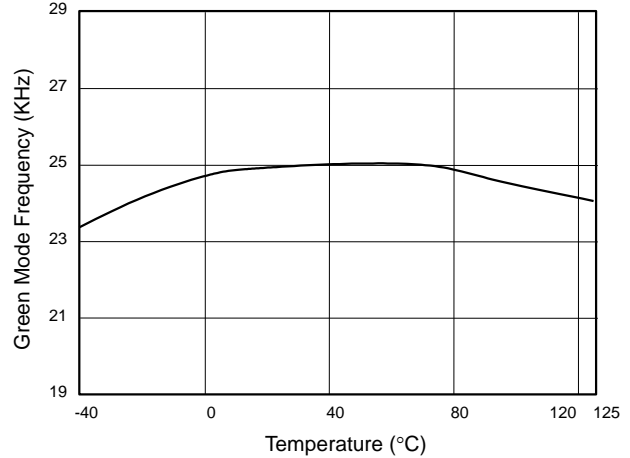


Fig. 4 Green Mode Frequency vs. Temperature

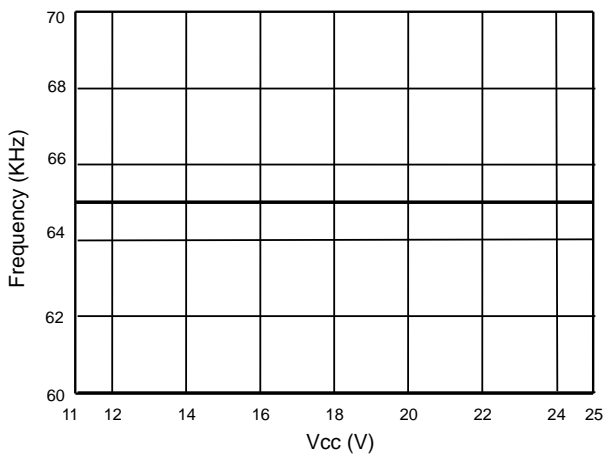


Fig. 5 Frequency vs. Vcc

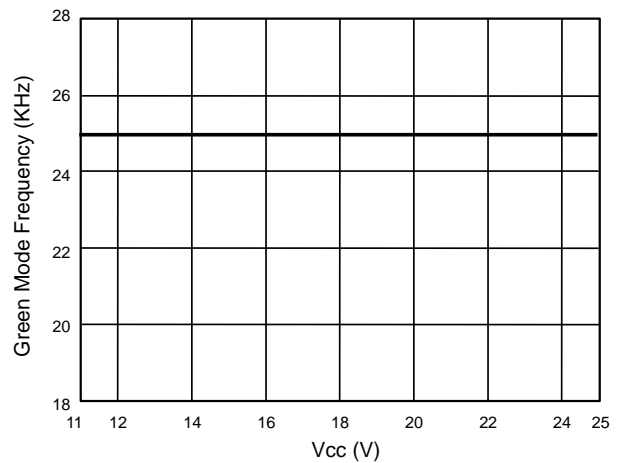


Fig. 6 Green Mode Frequency vs. Vcc

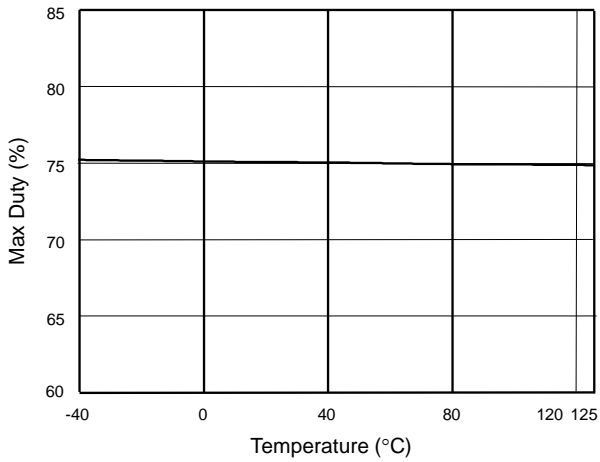


Fig. 7 Max Duty vs. Temperature

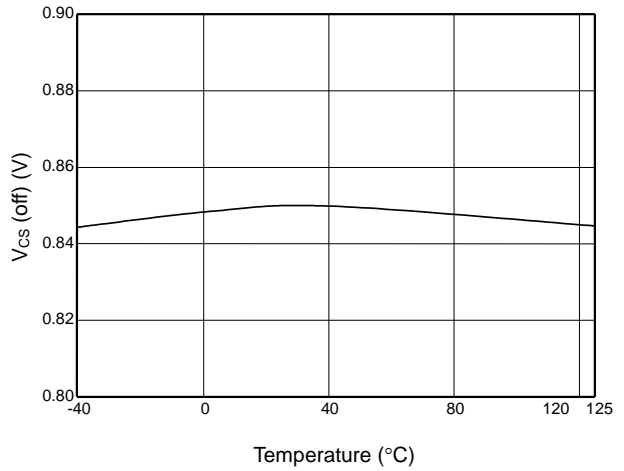


Fig. 8 V_{cs} (off) vs. Temperature

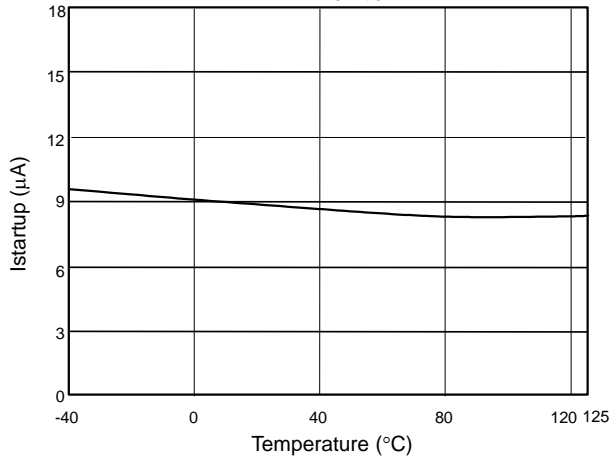


Fig. 9 Start up Current (I_{start up}) vs. Temperature

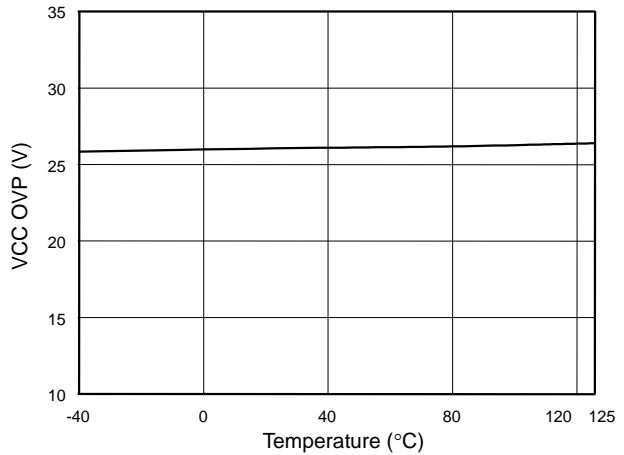


Fig. 10 VCC OVP vs. Temperature

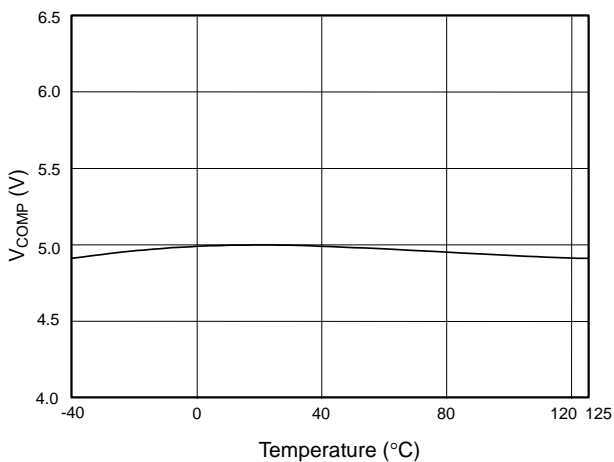


Fig. 11 V_{COMP} open loop voltage vs. Temperature

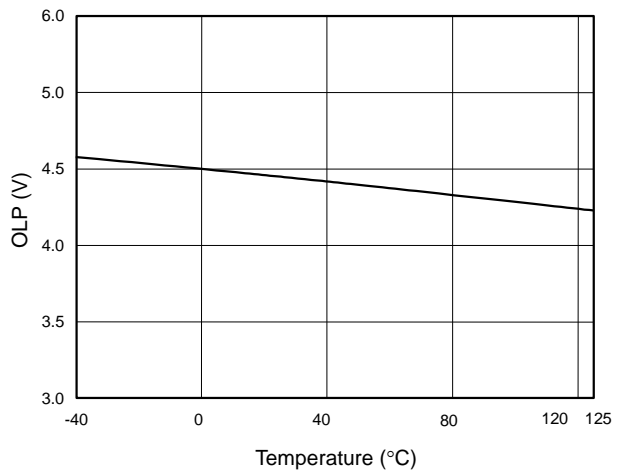


Fig. 12 OLP-Trip Level vs. Temperature

Application Information

Operation Overview

The LD7539R meets the green-power requirement and is intended for the use in those modern switching power suppliers and adaptors which demand higher power efficiency and power-saving. It integrates with more functions to reduce the external components counts and the size. Its major features are described as below.

Under Voltage Lockout (UVLO)

An UVLO comparator is implemented in it to detect the voltage on the VCC pin. It would assure the supply voltage enough to turn on the LD7539R PWM controller and further to drive the power MOSFET. As shown in Fig. 13, a hysteresis is built in to prevent the shutdown from the voltage dip during startup.

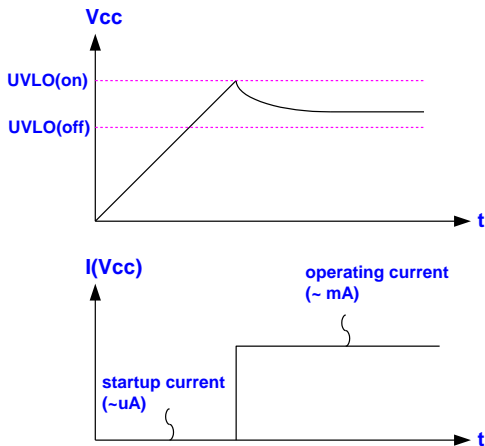


Fig. 13

Startup Current and Startup Circuit

The typical startup circuit to generate V_{CC} of the LD7539R is shown in Fig. 14. During the startup transient, the V_{CC} is below UVLO threshold. Before it has sufficient voltage to develop OUT pulse to drive the power MOSFET, R₁ will provide the startup current to charge the capacitor C₁. Once V_{CC} obtain enough voltage to turn on the LD7539R and further to deliver the gate drive signal, it will enable the auxiliary winding of the transformer to provide supply current. Lower startup current requirement on the PWM

controller will help to increase the value of R₁ and then reduce the power consumption on R₁. By using CMOS process and the special circuit design, the maximum startup current for LD7539R is only 14μA.

If a higher resistance value of the R₁ is chosen, it will usually take more time to start up. To carefully select the value of R₁ and C₁ will optimize the power consumption and startup time.

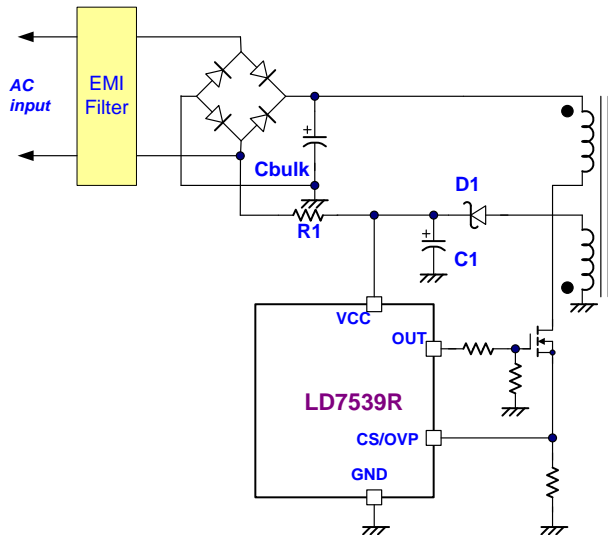


Fig. 14

Current Sensing and Leading-edge Blanking

The typical current mode of PWM controller feedbacks both current signal and voltage signal to close the control loop and achieve regulation. As shown in Fig. 15, the LD7539R detects the primary MOSFET current from the CS pin, which is not only for the peak current mode control but also for the pulse-by-pulse current limit. The maximum voltage threshold of the current sensing pin is set at 0.85V. From above, the MOSFET peak current can be obtained from below.

$$I_{PEAK(MAX)} = \frac{0.85V}{R_S}$$

A leading-edge blanking (LEB) time is included in the input of CS pin to prevent the false-trigger from the current spike.

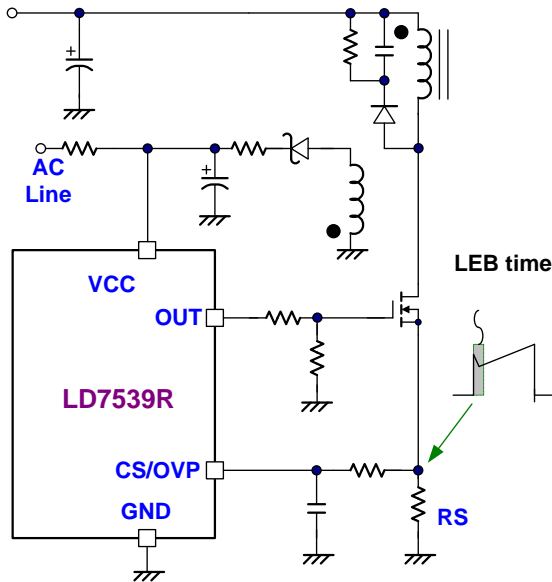


Fig. 15

Output Stage and Maximum Duty-Cycle

An output stage of a CMOS buffer, with typical 250/500mA driving capability, is incorporated to drive a power MOSFET directly. And the maximum duty-cycle of LD7539R is limited to 75% to avoid the transformer saturation.

Voltage Feedback Loop

The voltage feedback signal is provided from the TL431 at the secondary side through the photo-coupler to the COMP pin of the LD7539R. Similar to UC3842, the LD7539R would carry a diode voltage offset at the stage to feed the voltage divider at the ratio of RA and RB, that is,

$$V_{-(PWM_{COMPARATOR})} = \frac{R_B}{R_A + R_B} \times (V_{COMP} - V_F)$$

A pull-high resistor is embedded internally and can be eliminated externally.

Oscillator and Switching Frequency

The LD7539R is implemented with Frequency Swapping function which helps the power supply designers both to optimize EMI performance and lower system cost. The switching frequency substantially centers at 65KHz, and swap between a range of ± 4 KHz.

Green-Mode Operation

With the green-mode control, the switching frequency can be reduced under the light load condition. This feature helps to improve the efficiency in light load conditions. The green-mode control is Leadtrend Technology's own property. Fig. 16 shows the characteristics of the switching frequency vs. the comp pin voltage (V_{COMP})

On/Off Control

The LD7539R will be turned off if COMP pin is pulled below 1.4V. The output of the LD7539R will be disabled immediately under such condition. The off-mode will not be released until the pull-low signal is removed.

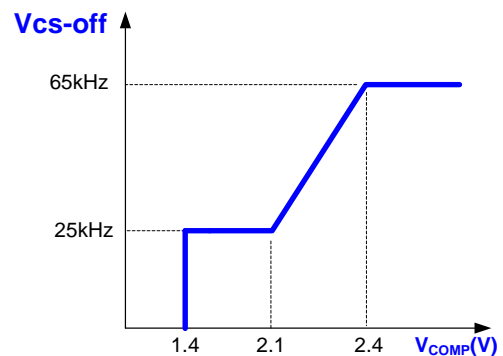


Fig. 16

Internal Slope Compensation

In the conventional applications, the problem of the stability is a critical issue for current mode controlling, when it operates over 50% duty-cycle. As UC384X, It takes slope compensation from injecting the ramp signal of the RT/CT pin through a coupling capacitor. It therefore requires no extra design for the LD7539R since it is integrated with it already.

Brownout and OTP Protection

LD7539R is implemented with BNO and OTP protection in one pin. As shown in Fig. 17. It detects BNO signal during positive cycle of AC input voltage and OTP signal during negative cycle, in cooperation with unfiltered AC input (Line or Neutral). During the positive cycle, S1 will turn on and BNO comparator will sense the input voltage S1. Then, BNO/OTP pin voltage will drop to 0.3V, less than the forward conducted voltage of D1, D2. Meanwhile, there's no more current flowing through NTC to affect BNO function. However, the D1 and D2 will leak a little at high temperature. So, the BNO level will be affected. It's suggested to choose low leakage current type of D1 and D2 (EX: BAS116WS) to increase BNO accuracy. While S1's current stays at low level (<BNO out trip level) for more than a de-bounce time, the BNO comparator will turn off the controller and VCC will hiccup between UVLO-ON and UVLO-OFF until the S1's current draws back above BNO in trip level. The brownout protection is auto recovery.

During negative cycle, the S1 current will sink to 2μA and S1 is disabled, leaving S2 enabled to detect OTP function. After 2ms of OTP detecting time, the OTP function will be disabled and BNO function enabled. When S2 is on, a constant current (I_{OTP}) flows through NTC resistor and produces voltage over BNO/OTP pin. If the BNO/OTP pin voltage is lower than OTP turn-off trip level and lasts for a de-bounce time, latch mode is activated and stops PWM switching. There are two conditions required to restart it successfully. First, cool down the circuit so that NTC resistance will increase and raise BNO/OTP pin voltage up above OTP turn-on trip level. Then, remove the AC power cord and restart AC power-on recycling.

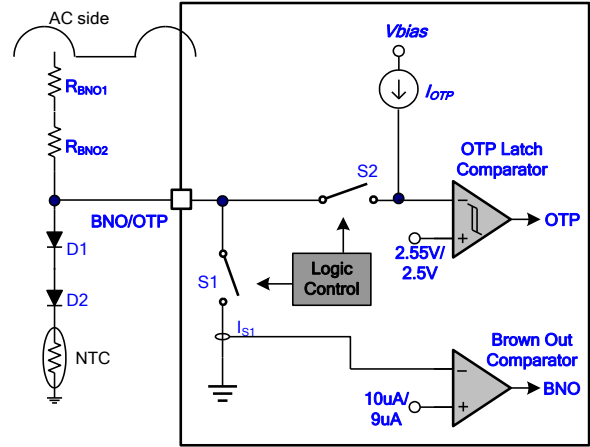


Fig. 17

Adjustable Over Current Compensation (CS/OVP Pin)

In general, the power converter can deliver more current with high input voltage than low input voltage. To compensate this, an offset voltage is added to the CS signal by an internal current source (I_{OCP}) and an external resistor (R_{OCP}) in series between the sense resistor (R_s) and the CS/OVP pin, as shown in Fig. 18. By selecting a proper value of the resistor in series with the CS pin, the amount of compensation can be adjusted. The value of I_{OCP} depends on the duty cycle of OUT pin. The equation of I_{OCP} is decreased as:

$$I_{OCP} = \begin{cases} (0.625 - \text{Duty}) \cdot 480\mu\text{A} & (0.125 < \text{Duty} < 0.625) \\ 0\mu\text{A} & (\text{Duty} \geq 0.625) \\ 240\mu\text{A} & (\text{Duty} \leq 0.125) \end{cases}$$

In light load, this offset is in same level of magnitude as the current sense signal, it shall be canceled. Therefore the compensation current will be fully added once the COMP voltage is above 2.9V.

$R_{OCP}: 470\Omega \sim 1.2k\Omega$; $C_{OCP}: 47pF \sim 390pF$

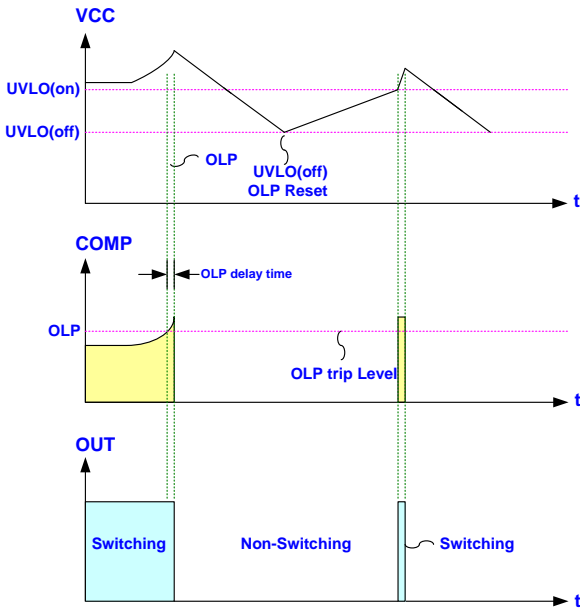


Fig. 21

OVP (Over Voltage Protection) on Vcc - Auto Recovery

The Vcc OVP function of LD7539R is auto-recoverable. If the OVP condition is not released, which is usually caused by open-loop of feedback, the Vcc will tripped the OVP level again and re-shutdown the output. The Vcc works in hiccup mode. Figure 22 shows its operation.

Otherwise, when the OVP condition is removed, the Vcc level will be resumed and the output will automatically return to the normal operation.

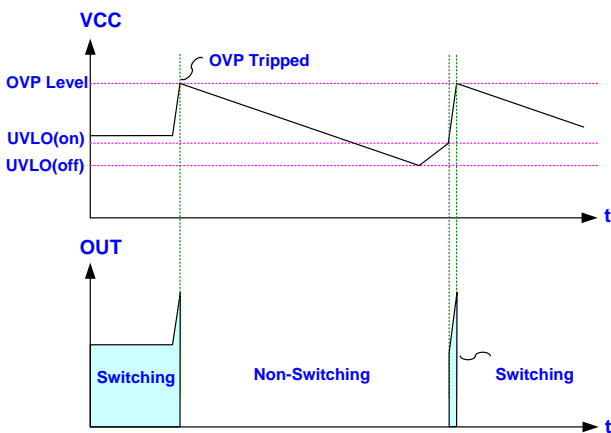


Fig. 22

MOSFET Characteristic

The MOSFET is divided into three operation regions, ohmic region, saturation region, and the cut-off region, shown as Fig. 23. For switching power supply applications, it shall operate in ohmic and cut-off region. Never reach the region of saturation; it would cause damage for acting beyond the maximum safety operating area. It's necessary to check the characteristic of MOSFET. Fig. 24 shows a totem pole architecture for the circuit of OUT. The output high level of OUT is at around VCC-1.5V. Refer to on-region characteristics of the MOSFET, check the saturation current of $V_{GS_{H(MIN)}}$ to make sure the saturation current is high enough to activate MOSFET to operate in ohmic region. In order not to decrease the voltage across VG, it's recommended not to connect a forward diode between the gate of the MOSFET and OUT pin, for example like Fig 25.

In addition, pulling VCC level high can keep VGS_H in high level, for example:

1. Increase N_x value to pull VCC level high.
2. Increase VCC capacitance to improve VCC's performance to drop at startup transient, shown as Fig 26.

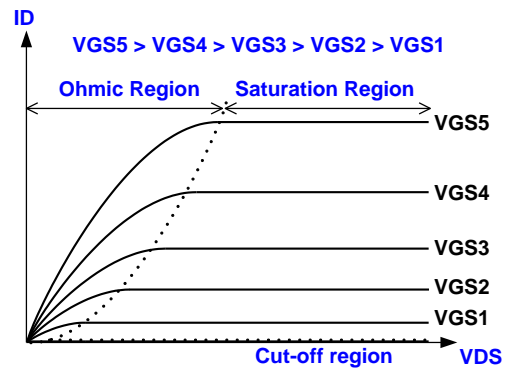


Fig. 23

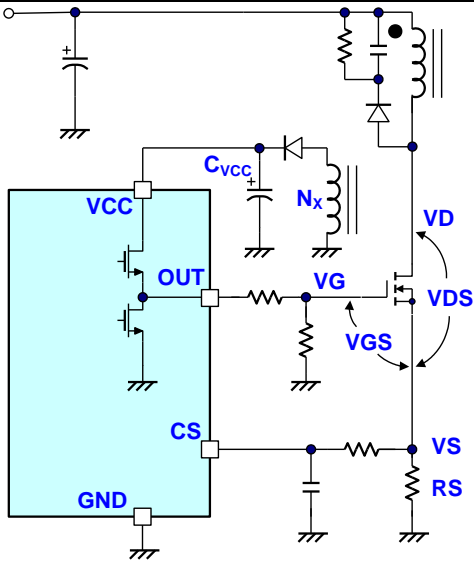


Fig. 24

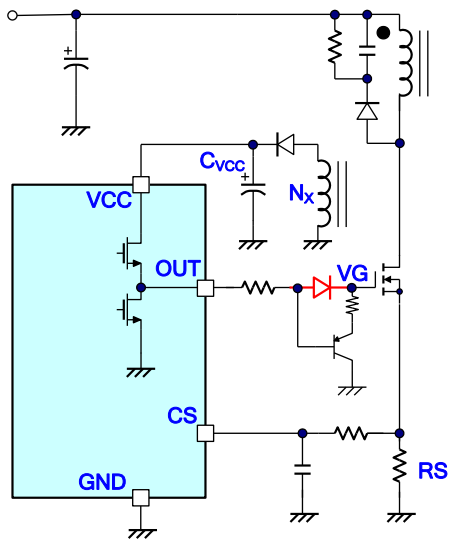


Fig. 25

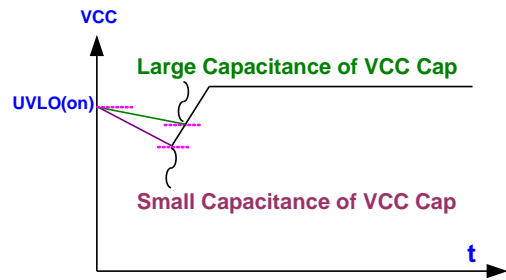
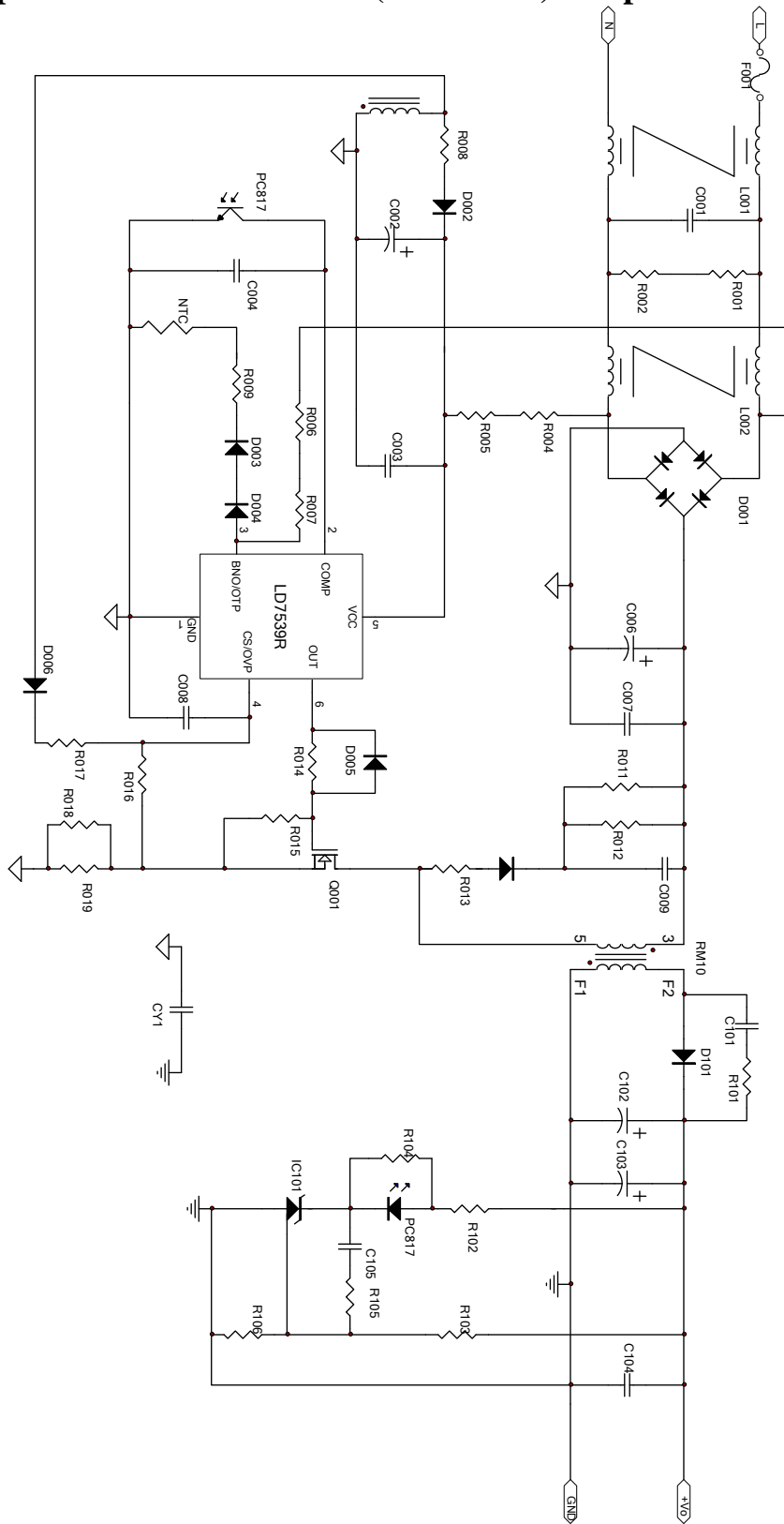


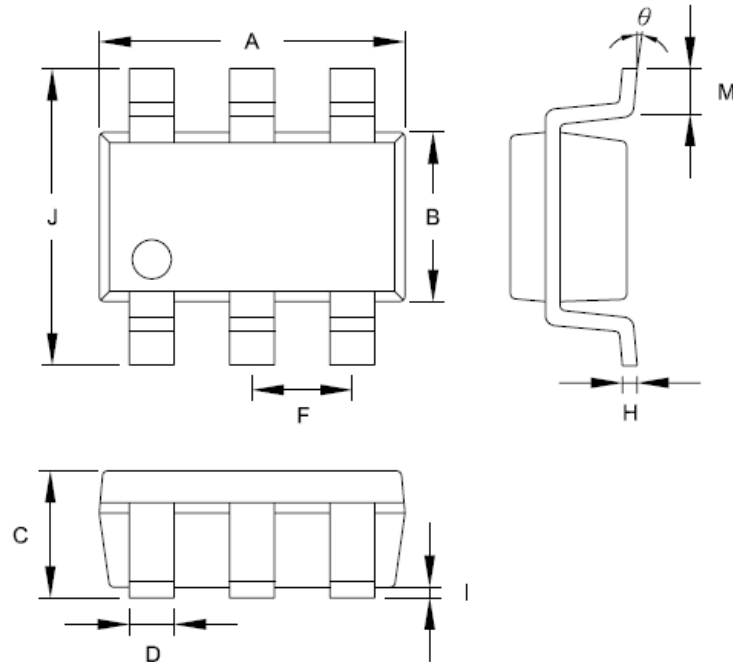
Fig. 26

Reference Application Circuit --- 65W (19V/3.42A) Adapter



Package Information

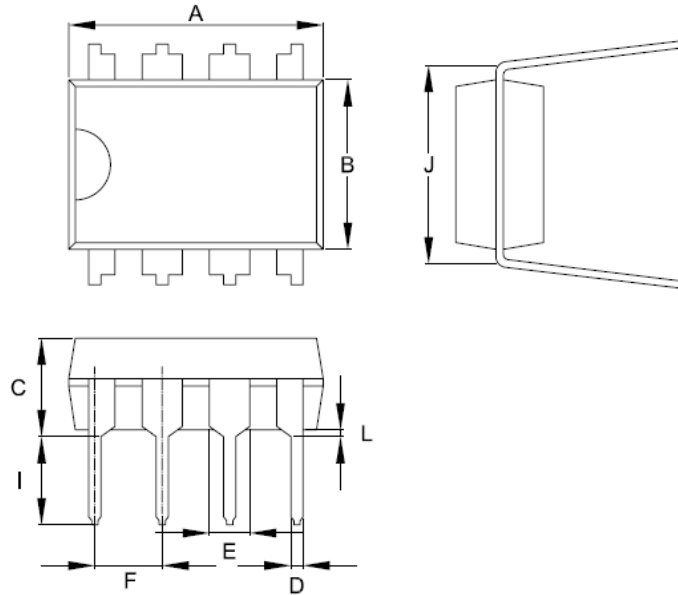
SOT-26



| Symbol | Dimension in Millimeters | | Dimensions in Inches | |
|--------|--------------------------|-------|----------------------|-------|
| | Min | Max | Min | Max |
| A | 2.692 | 3.099 | 0.106 | 0.122 |
| B | 1.397 | 1.803 | 0.055 | 0.071 |
| C | ----- | 1.450 | ----- | 0.057 |
| D | 0.300 | 0.500 | 0.012 | 0.020 |
| F | 0.95 TYP | | 0.037 TYP | |
| H | 0.080 | 0.254 | 0.003 | 0.010 |
| I | 0.050 | 0.150 | 0.002 | 0.006 |
| J | 2.600 | 3.000 | 0.102 | 0.118 |
| M | 0.300 | 0.600 | 0.012 | 0.024 |
| θ | 0° | 10° | 0° | 10° |

Package Information

DIP-8



| Symbol | Dimension in Millimeters | | Dimensions in Inches | |
|--------|--------------------------|--------|----------------------|-------|
| | Min | Max | Min | Max |
| A | 9.017 | 10.160 | 0.355 | 0.400 |
| B | 6.096 | 7.112 | 0.240 | 0.280 |
| C | ----- | 5.334 | ----- | 0.210 |
| D | 0.356 | 0.584 | 0.014 | 0.023 |
| E | 1.143 | 1.778 | 0.045 | 0.070 |
| F | 2.337 | 2.743 | 0.092 | 0.108 |
| I | 2.921 | 3.556 | 0.115 | 0.140 |
| J | 7.366 | 8.255 | 0.29 | 0.325 |
| L | 0.381 | ----- | 0.015 | ----- |

Important Notice

Leadtrend Technology Corp. reserves the right to make changes or corrections to its products at any time without notice. Customers should verify the datasheets are current and complete before placing order.

Revision History

| Rev. | Date | Change Notice |
|------|------------|------------------------|
| 00 | 11/21/2012 | Original Specification |