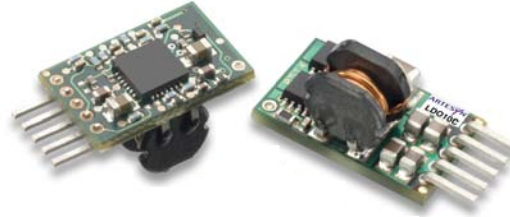


## LDO10C Series

50 Watts

Total Power: 50 Watts  
Input Voltage: 3-13.8 Vdc  
No. of Outputs: Single



## Special Features

- 10 A output current rating
- Input voltage range: 3-13.8 Vdc
- Adjustable out voltage: 0.59-5.1 V
- Factory set with power good option
- Excellent transient response
- Power enable
- Minimum airflow
- Small package
- Termination voltage capability
- RoHS compliant

## Safety

UL, cUL 60950-1  
TÜV Product Service (EN60950)  
Certificate No. TBD  
CB Report and  
Certificate to IEC60950

## Electrical Specifications

Output		
Output voltage	See Note 5	0.59-5.1 V
Output setpoint accuracy	0.1% trim resistors	±1.0%
Line regulation	Low line to high line	±0.2%
Load regulation	Full load to min. load	±0.5%
Min./max. load		0 A/10 A
Overshoot	At turn-on	0.5% max.
Undershoot	At turn-off	100 mV max.
Ripple and noise 5 Hz to 20 MHz	See Note 1	20 mV Vin=5 V, Vout=2.5 V
Transient response	See Notes 1, 2	130 mV max. deviation 15 µs recovery to within regulation band
Input		
Input voltage range		3-13.8 Vdc
Input current	Minimum load Remote OFF	50 mA 5 mA
Input current (max.)	See Note 3	10 A @ Io max.
Start-up time	Power up Remote ON/OFF	3 ms 2 ms
General		
Efficiency	Vin=5 V, Vo=2.5 V, Io=10 A	91%
Switching frequency	Fixed	620 kHz
Material flammability		UL94V-0
Weight		1.899 g (0.067 oz.)
MTBF	12 V @ 40 °C, 100% load Bellcore 332	8,220,210 hours
Coplanarity	Surface mount models	150µm

## Environmental Specifications

Thermal performance See Note 5	Operating ambient Non-operating ambient	-40 °C to +85 °C -40 °C to +125 °C
-----------------------------------	--	---------------------------------------

### Protection

Short-circuit	Hiccup, non-latching
Overvoltage protection	Hiccup, non-latching

### Recommended System Capacitance

Input	See Note 6	0 μF
Output	See Note 7	0 μF

### Ordering Information

Output Power (Max.)	Input Voltage	Output Voltage	Output Current (Min.)	Output Current (Max.)	Efficiency (Typical)	Regulation Line	Regulation Load	Model Number <sup>(3,5)</sup>
50W	3-13.8 Vdc	0.59-5.1 V	0 A	10 A	94%	±0.2%	±0.5%	LDO10C-005W05-VJ
50W	3-13.8 Vdc	0.59-5.1 V	0 A	10 A	94%	±0.2%	±0.5%	LDO10C-005W05-HJ
50W	3-13.8 Vdc	0.59-5.1 V	0 A	10 A	94%	±0.2%	±0.5%	LDO10C-005W05-SJ

## Part Number System with Options

Product Family	Rated Output Current	Performance	Input Voltage	Number of Pins Type of Output	Output Voltage	Mounting Option	Custom Option	RoHS Compliance
<b>LDO</b>	<b>10</b>	<b>C</b>	<b>00</b>	<b>5W</b>	<b>05</b>	<b>V</b>	<b>X</b>	<b>J</b>
<b>Product Family</b> LDO = LDO Series	<b>Rated Output Current</b> 10 = 10 Amp	<b>Performance</b> C = Cost Optimized	<b>Input Voltage</b> 00 = 3-13.8 V 01 = 4.5-13.8V	<b>Type of Output</b> 5W = 5 Pins and Wide Output	<b>Output Voltage</b> 05 = 0.59-5.1 V	<b>Mounting Option</b> V = Vertical H = Horizontal S = Horizontal SMT VS = Vertical SMT	<b>Custom Option</b>	<b>RoHS Compliance</b> J = Pb free (RoHS 6/6 compliant)

### Output Voltage Adjustment of the LDO10C Series

The ultra-wide output voltage trim range offers major advantages to users who select the LDO10C series. It is no longer necessary to purchase a variety of modules in order to cover different output voltages. The output voltage can be trimmed in a range of 0.59-5.1 Vdc. When the LDO10C converter leaves the factory, the output has been adjusted to the default voltage of 0.59 V.

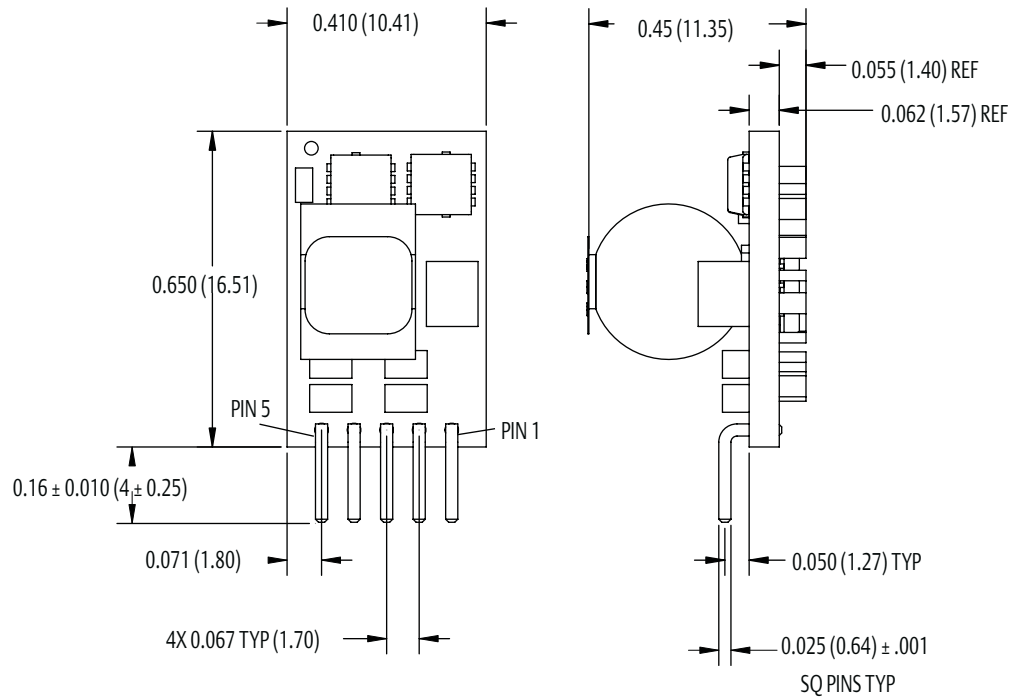
#### Notes:

1. Measured as per recommended system capacitance. See Technical Reference Note.
2.  $di/dt = 10 \text{ A}/\mu\text{s}$ ,  $V_{in} = \text{Nom}$ ,  $T_c = 25 \text{ }^\circ\text{C}$ , load change = 0.50  $I_o$  to full  $I_o$  and full  $I_o$  to 0.50.
3. External input fusing is recommended.
4. Additional part numbers may be available with different output voltages.
5. Airflow dependent, 100 LFM minimum required.
6. No capacitors needed for ripple current stability.
7. No capacitors needed for stability.
8. TSE RoHS 5/6 (non Pb-free) compliant versions may be available on special request, please consult your local sales representative for details.
9. NOTICE: Some models do not support all options. Please contact your local Emerson Network Power representative or use the on-line model number search tool at <http://www.powerconversion.com/powergroup/products.htm> to find a suitable alternative.

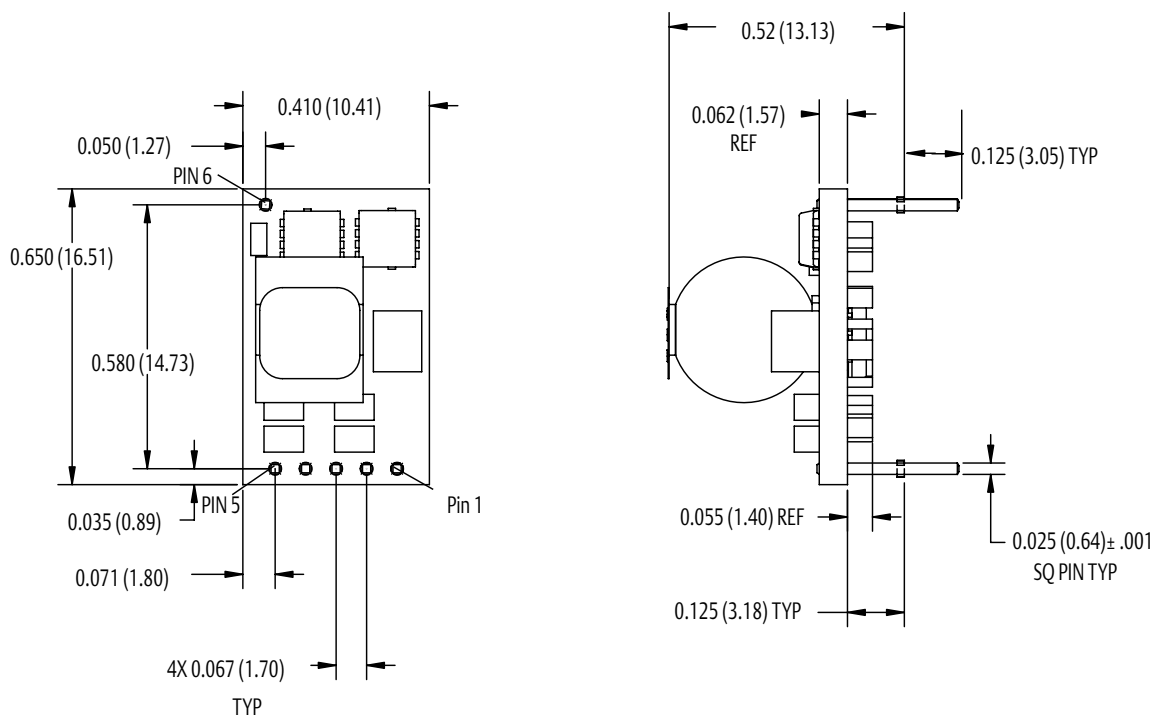
# Mechanical Drawings

## Vertical Mount

Dimensions in inches (mm). Tolerances es (unless otherwise specified) 2 Places  $\pm 0.030$  ( $\pm 0.76$ ) 3 Places  $\pm 0.010$  ( $\pm 0.25$ )

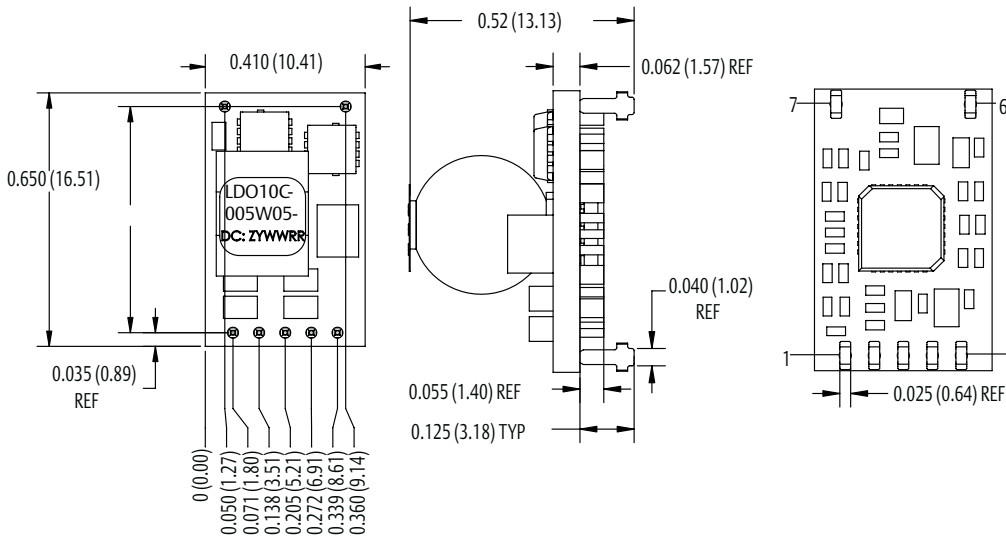


## Horizontal Mount



## Mechanical Drawings (Cont'd)

### Surface Mount



### Pin Assignments

#### Single Output

1. Enable
2. Vin
3. Common/RTN
4. Vout
5. PG/Trim
6. Mech Pin (Horz/SMT only)

\*This is a Preliminary Datasheet. Emerson Network Power reserves the right to make changes to the information contained herein without notice and assumes no liability as a result of its use or application.

### Americas

5810 Van Allen Way  
Carlsbad, CA 92008  
USA  
Telephone: +1 760 930 4600  
Facsimile: +1 760 930 0698

### Europe (UK)

Waterfront Business Park  
Merry Hill, Dudley  
West Midlands, DY5 1LX  
United Kingdom  
Telephone: +44 (0) 1384 842 211  
Facsimile: +44 (0) 1384 843 355

### Asia (HK)

16th - 17th Floors, Lu Plaza  
2 Wing Yip Street, Kwun Tong  
Kowloon, Hong Kong  
Telephone: +852 2176 3333  
Facsimile: +852 2176 3888

For global contact, visit:

[www.powerconversion.com](http://www.powerconversion.com)

For technical support, visit:

<http://www.powerconversion.com/support/product/technical-support.php>

While every precaution has been taken to ensure accuracy and completeness in this literature, Emerson Network Power assumes no responsibility, and disclaims all liability for damages resulting from use of this information or for any errors or omissions.

### Emerson Network Power.

The global leader in enabling  
business-critical continuity.

- AC Power
- Connectivity
- DC Power
- **Embedded Power**
- Inbound Power
- Integrated Cabinet Solutions
- Outside Plant
- Precision Cooling
- Site Monitoring and Services

[EmersonNetworkPower.com](http://EmersonNetworkPower.com)

Emerson Network Power and the Emerson Network Power logo are trademarks and service marks of Emerson Electric Co.  
©2008 Emerson Electric Co.