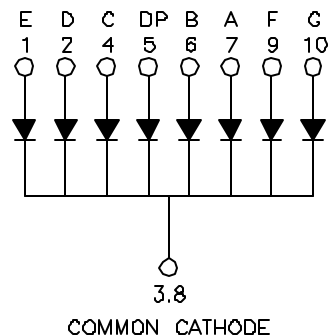
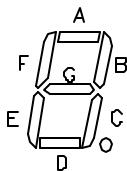
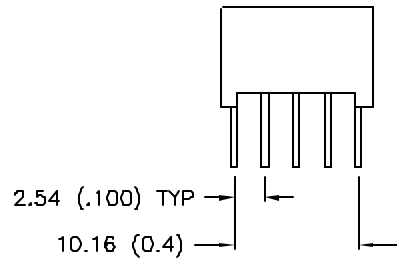
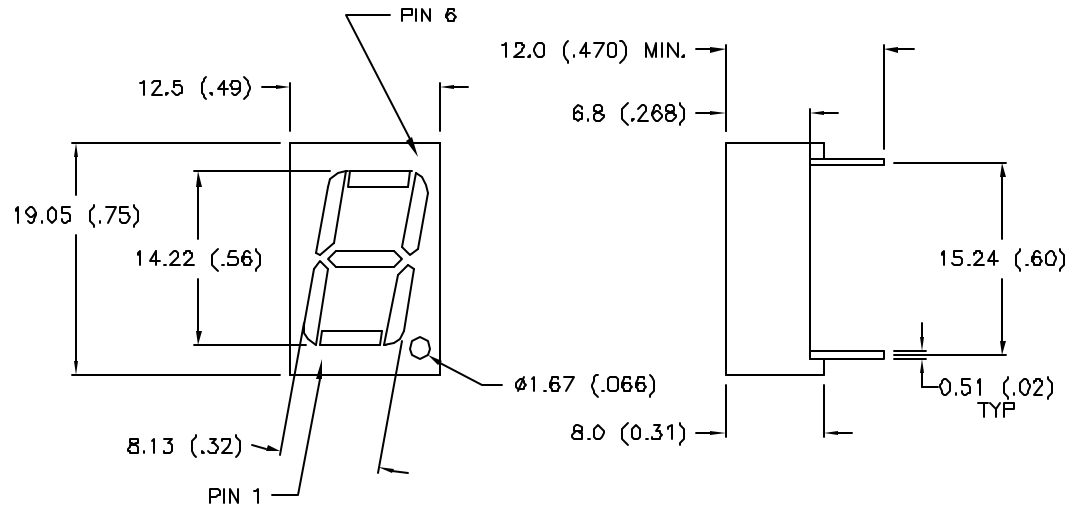


| | | |
|---------|-----------------|-----|
| DATE | REVISIONS | REV |
| 10-4-96 | E.C.N. #10255./ | A |

| | |
|----------------|-----|
| DRAWING NUMBER | REV |
| LDS-C514RI | A |




ELECTRO-OPTICAL CHARACTERISTICS $T_A=25^\circ\text{C}$ $I_f=20\text{mA}$

| PARAMETER | MIN | TYP | MAX | UNITS | TEST COND |
|-----------------|----------------------|-----------|-----|-------|----------------------|
| PEAK WAVELENGTH | | 635 (RED) | | nm | |
| FORWARD VOLTAGE | | 2.1 | 2.8 | V_f | |
| REVERSE VOLTAGE | 5.0 | | | V_r | $I_f=100\mu\text{A}$ |
| AXIAL INTENSITY | | 3900 | | ucd | $I_f=20\text{mA}$ |
| EMITTED COLOR | RED | | | | |
| EPOXY SEGMENT | MILKY WHITE DIFFUSED | | | | |
| FONT COLOR | GRAY | | | | |

LIMITS OF SAFE OPERATION PER SEGMENT AT 25°C

| PARAMETER | MAX | UNITS |
|--------------------------------|------------|----------------------------|
| PEAK FORWARD CURRENT* | 150 | mA |
| STEADY CURRENT | 30 | mA |
| POWER DISSIPATION | 105 | mW |
| DERATE FROM 25°C | -1.6 | $\text{mW}/^\circ\text{C}$ |
| OPERATING, STORAGE TEMP | -4D TO +85 | $^\circ\text{C}$ |
| LEAD SOLDERING TEMP | +260 | $^\circ\text{C}$ |
| 2.0mm FROM BODY | | 3 SEC. MAX |

* $t < 10\mu\text{s}$



290 E. HELLEN ROAD
PALATINE, ILLINOIS 60067
(847) 359-2790

CONFIDENTIAL INFORMATION
THE INFORMATION CONTAINED IN THIS DOCUMENT IS THE PROPERTY OF LUMEX OPTO COMPONENTS, INC. EXCEPT AS SPECIFICALLY AUTHORIZED IN WRITING BY LUMEX OPTO COMPONENTS, INC., THE HOLDER OF THIS DOCUMENT SHALL KEEP ALL INFORMATION CONTAINED HEREIN CONFIDENTIAL AND SHALL PROTECT SAME IN WHOLE OR IN PART FROM DISCLOSURE AND DISSEMINATION TO ALL THIRD PARTIES.

| | | | |
|--------------|------|--------|-------|
| DATE: 9-5-95 | DWN: | CHK'D: | APPD: |
| SCALE: N/A | | | |

.56" SINGLE DIGIT, SEVEN SEGMENT DISPLAY,
635nm, RED

| | | |
|-------------|------------------------------|----------|
| PAGE 1 OF 1 | DRAWING NUMBER LDS-C514RI | REV A |
|-------------|------------------------------|----------|

ns/ex