



NO.: QB/SPS 73 PS 1068A

SPECIFICATIONS

NAME: 0.36 inch DIGITAL DISPLAY

TYPE: LDS20361SRA

www.DataSheet.in

**SHENZHEN DITELONG INDUSTRIAL CO.,LTD.
SHENZHEN CANDELA ELECTRONIC CO.,LTD.
SHENZHEN SUCCESS PHOTOELECTRONICS CO.,LTD**

SHENZHEN OFFICE

Add: Room 1911,Zhongwin Science & Techn.Bldg,Bagua 3th Rd.Bagualing Industry Zone Shenzhen,China

Tel: 86-755-25884151

Fax: 86-755-25884659

Post Code: 518029

E-mail:candela@ditelong.com

<http://www.ditelong.com>

SHENZHEN FACTORY

Add:4/F Ranbao Bldg,NO. 189 Industrial Zone,Henggang,ShenZhen,china

Tel:86-755-28630148 28630040

Fax:86-755-28631216

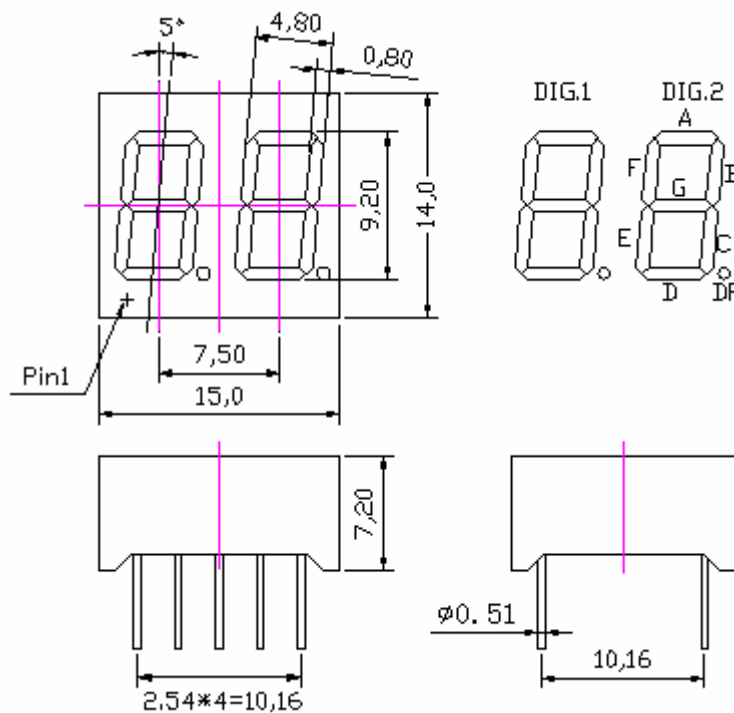
Post Code:518115

LDS—20361SRA

1. FEATURES

- High intensity and reliability.
- Low power requirement
- I.C. compatible

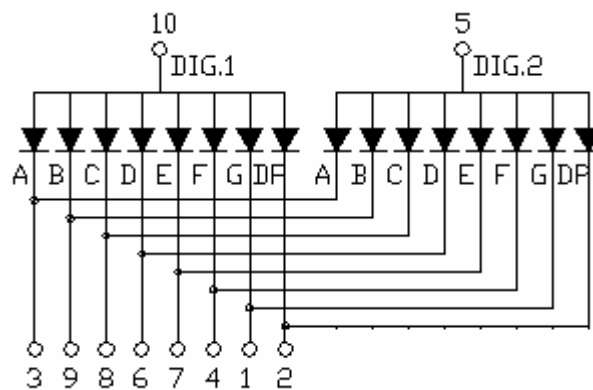
2. PACKAGE DIMENSIONS:



NOTES:

All dimensions are in millimeters, tolerance are ± 0.25 mm unless otherwise noted.

3. INTERNAL CIRCUIT DIAGRAM.



4. ABSOLUTE MAXIMUM RATINGS Ta=25°C

PARAMETER	RED	Green	UNIT
Power dissipation per segment	60		mw
Peak forward current per segment*	80		mA
Continuous forward current per segment**	15		mA
Reverse voltage per segment	5		V
Operating temperature range	-35~80		°C
Storage temperature range	-35~85		°C
Solder temperature 1/16 inch below seating plane for 3 seconds at 260°C			

NOTES:

* 1/10 duty cycle 10 mes pulse width

** We advise average forward c urrent is 15mA

5. ELECTRICAL/OPTICAL CHARACTERISTICS Ta=25°C

ITEM	SYMBOL	CONDITION		RATING			UNIT
				min	typ	max	
Luminous Intensity	IV	Red	IF=20mA	—	30	—	mcd
		Green		—	—	—	
Peak Emission Wavelength	λP	Red	IF=20mA	—	640	—	nm
		Green		—	—	—	
Spectral Line Half-width	$\Delta \lambda$	Red	IF=20mA	—	35	—	nm
		Green		—	—	—	
Forward Voltage per segment	VF	Red	IF=20mA	—	1.85	2.0	V
		Green		—	—	—	
Reverse Current per segment	IR	Red	VR=5V	—	—	50	μA
		Green	VR=5V	—	—	—	

6. CAUTIONS:

- When being used, do not be over the corresponding limited scale and note in our specification.
- For some products with the static electricity mark, please operate refer to the rules of static electricity fence.
- When designing, please consider the factor of heat, and taking keep away measure to avoid high temperature.
- Do not clean the product with organic impregnant as some of them may damage the product.