

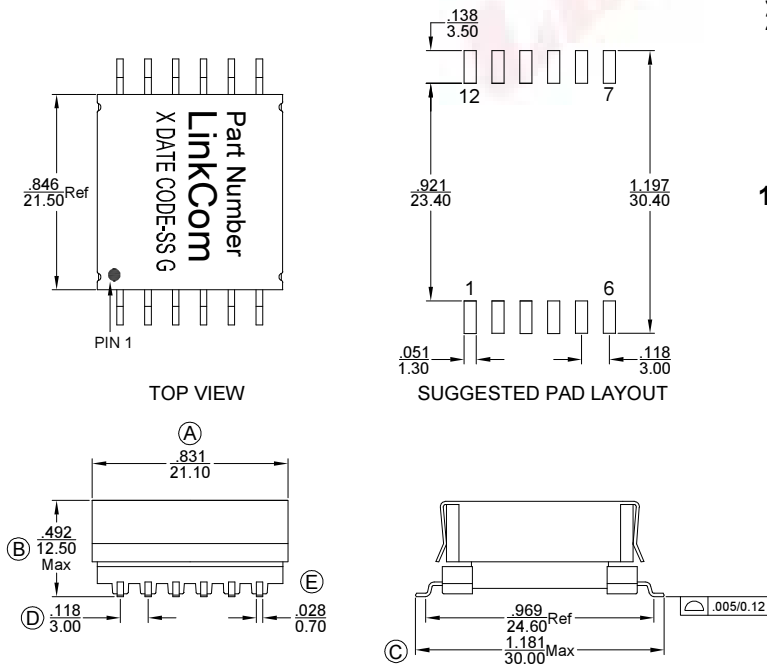
DC/DC Transformer

- Flyback transformer for PoE applications
- RoHS Compliant
- Operating Temperature -40°C to +105°C
- Storage Temperature -40°C to +85°C

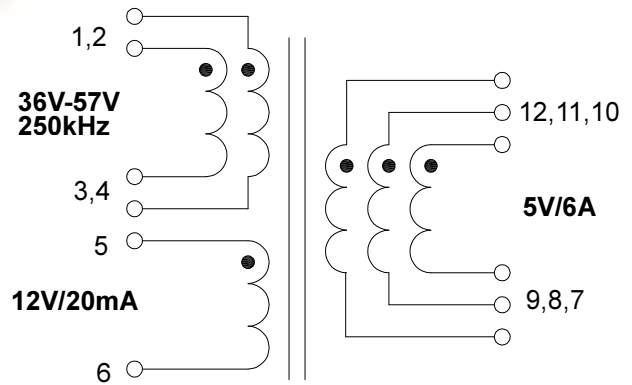
| Electrical Specifications @25°C | |
|---------------------------------|--|
| Inductance: | PIN 1,2-3,4 = 42.0uH ±10% @ 250KHz/0.1V (PIN1-2,3-4 Short) |
| | PIN 1,2-3,4 = 37.8 uH Min. @ 250KHz/0.1V/2.6A DC-bias (PIN1-2,3-4 Short) |
| Leakage Inductance: | PIN 1,2-3,4 = 1.60uH Max. @ 250KHz/0.1V (PIN1-2,3-4,7-8-9-10-11-12 Short) |
| D.C.R | PIN 1,2-3,4 = 69 mohm Max. (PIN1-2,3-4 Short) |
| | PIN 5-6 = 225 mohm Max. |
| | PIN 12,11,10-9,8,7 = 5 mohm Max.(PIN12-11-10,9-8-7 Short) |
| Turn Ratio: | PIN 1,2-3,4 : PIN 5-6 = 3.0±3%:1 (PIN1-2,3-4 Short) |
| | PIN 1,2-3,4 : PIN 12,11,10-9,8,7 = 7.0±3%:1(PIN1-2,3-4,12-11-10,9-8-7 Short) |
| Hi-POT : | PRI. – SEC. = 1500V/60Hz/2Sec/1mA |

Dimensions

(Units: $\frac{\text{Inches}}{\text{mm}}$, Unless otherwise specified, all tolerances are $\pm \frac{.010}{0.25}$)



Schematic



Primary windings and secondary windings to be connected in parallel on PC board.

Mark

- 1.Part Number----LDT0696
- 2.X----PRODUCT LINE or BLANK
- 3.DATE CODE----YYWW
- 4.SS----50 or BLANK
- 5.G----RoHS

Package info

LDT0696-50R - Tape reel