

Transformers

For Power Supply

SMD

LDT Series LDT5656 Type

These are ultra-low-profile compact multi-output power supply transformers that increase the flexibility in designing compact and thin digital devices, including digital cameras.

FEATURES

- With a height of only 2 mm (or 3 mm), these products are optimally suited as power supply transformers for small and thin devices.
- They are lightweight with a mass of 0.2g (0.25g).
- Because the coiled terminals and terminals that are attached to the board are separated from each other, these transformers can be mounted and soldered to boards with a high degree of reliability.
- These products support lead-free soldering.

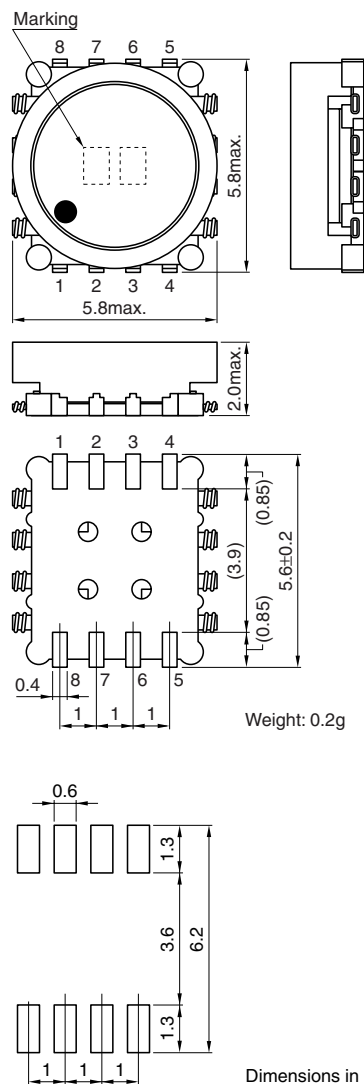
APPLICATIONS

DC to DC converter transformers in small and thin electronic devices, CCD power supplies, LCD power supplies, digital still cameras, digital movie cameras and pocket game machines, etc.

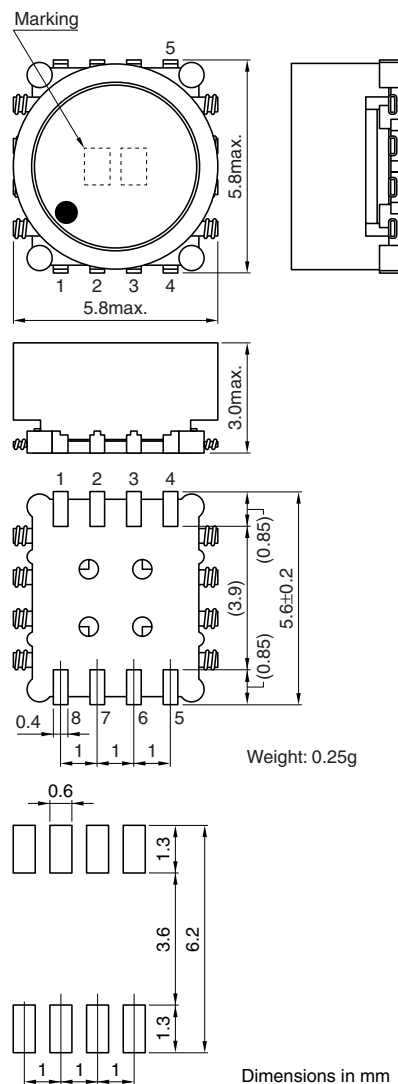


SHAPES AND DIMENSIONS/RECOMMENDED PC BOARD PATTERN

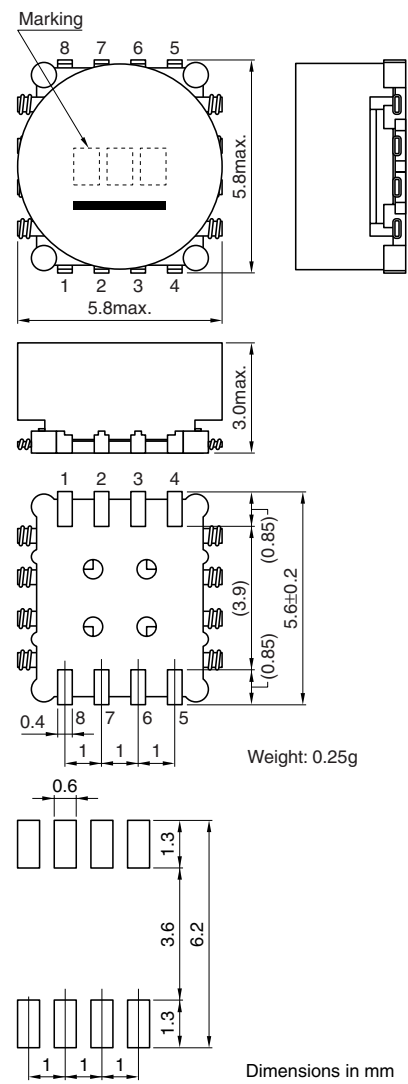
LDT565620T



LDT565630T



LDT565630T-00



• All specifications are subject to change without notice.

Transformers

For Power Supply

SMD

LDT Series LDT5656 Type

ELECTRICAL CHARACTERISTICS

For DC to DC Converters

Part No.	LDT565620T	LDT565630T	LDT565630T-00
Power supply efficiency	70%	70%	70%
	[When a power supply control IC is used]	[When a power supply control IC is used]	[When a power supply control IC is used]
Temperature rise ΔT	10°C[Output power: 0.5W]	10°C[Output power: 0.7W]	10°C[Output power: 0.7W]
Maximum output power	0.7W	1W	1W

TYPICAL CIRCUIT

