

Digital transistors (built-in resistors)

●Features

- 1) Built-in bias resistors enable the configuration of an inverter circuit without connecting external input resistors (see equivalent circuit).
- 2) The bias resistors consist of thin-film resistors with complete isolation to allow negative biasing of the input. They also have the advantage of almost completely eliminating parasitic effects.
- 3) Only the on/off conditions need to be set for operation, making device design easy.

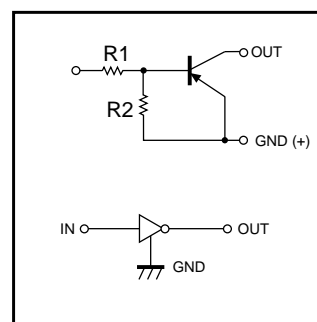
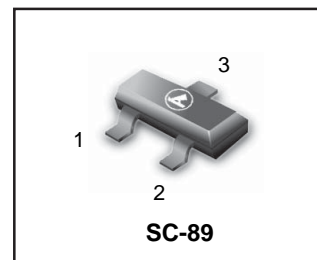
●Device marking

LDTA144EET1=6C

●Absolute maximum ratings (Ta=25°C)

Parameter	Symbol	Value	Unit
Supply voltage	V _{CC}	-50	V
Input voltage	V _{IN}	-40~+10	V
Output current	I _o	-30	mA
	I _{c(Max.)}	-100	mA
Power dissipation	P _d	150	mW
Junction temperature	T _J	150	°C
Storage temperature	T _{stg}	-55~+150	°C

LDTA144EET1



●Electrical characteristics (Ta=25°C)

Parameter	Symbol	Min.	Typ.	Max.	Unit	Conditions
Input voltage	$V_{I(off)}$	-	-	-0.5	V	$V_{CC}=-5V, I_{O}=-100\mu A$
	$V_{I(on)}$	-3.0	-	-		$V_{O}=-0.3V, I_{O}=-2mA$
Output voltage	$V_{O(on)}$	-	-0.1	-0.3	V	$I_{O}/I_{I}=-10mA/-0.5mA$
Input current	I_{I}	-	-	-0.18	mA	$V_{I}=-5V$
Output current	$I_{O(off)}$	-	-	-0.5	μA	$V_{CC}=-50V, V_{I}=0V$
DC current gain	G_{I}	68	-	-	-	$V_{O}=-5V, I_{O}=-5mA$
Input resistance	R_{I}	32.9	47	61.1	k Ω	-
Resistance ratio	R_{2}/R_{1}	0.8	1	1.2	-	-
Transition frequency	f_{T}	-	250	-	MHz	$V_{CE}=-10V, I_{E}=5mA, f=100MHz$ *

* Transition frequency of the device

●Electrical characteristic curves

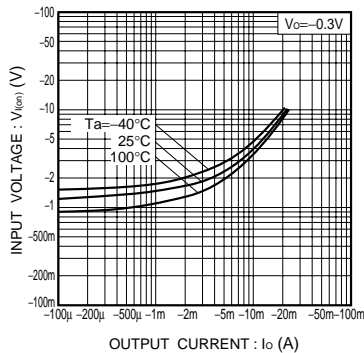


Fig.1 Input voltage vs. output current (ON characteristics)

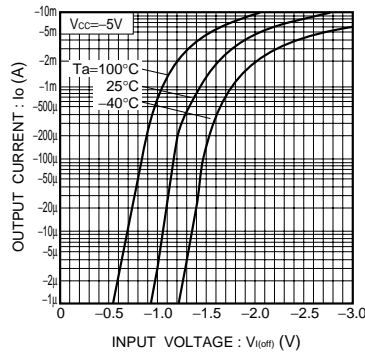


Fig.2 Output current vs. input voltage (OFF characteristics)

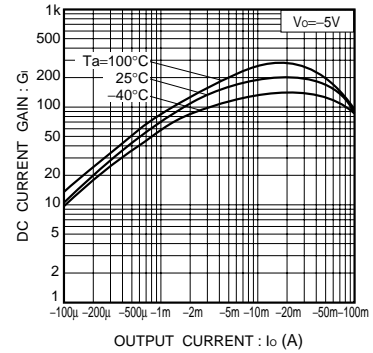


Fig.3 DC current gain vs. output current

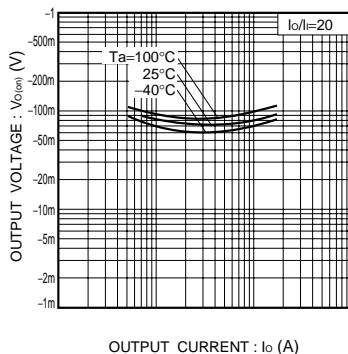
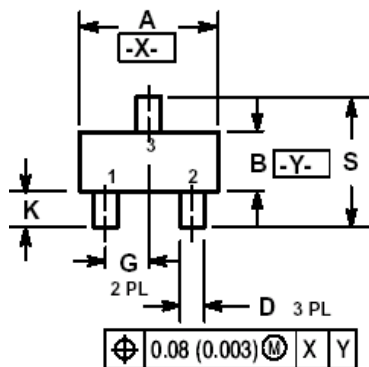
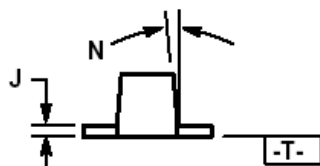
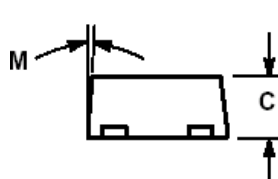


Fig.4 Output voltage vs. output current

SC-89



- NOTES:
- 1.DIMENSIONING AND TOLERANCING PER ANSI Y14.5M, 1982.
 - 2.CONTROLLING DIMENSION: MILLIMETERS
 - 3.MAXIMUM LEAD THICKNESS INCLUDES LEAD FINISH THICKNESS. MINIMUM LEAD THICKNESS IS THE MINIMUM THICKNESS OF BASE MATERIAL.
 - 4.463C-01 OBSOLETE, NEW STANDARD 463C-02.



DIM	MILLIMETERS			INCHES		
	MIN	NOM	MAX	MIN	NOM	MAX
A	1.50	1.60	1.70	0.059	0.063	0.067
B	0.75	0.85	0.95	0.030	0.034	0.040
C	0.60	0.70	0.80	0.024	0.028	0.031
D	0.23	0.28	0.33	0.009	0.011	0.013
G	0.50 BSC			0.020 BSC		
H	0.53 REF			0.021 REF		
J	0.10	0.15	0.20	0.004	0.006	0.008
K	0.30	0.40	0.50	0.012	0.016	0.020
L	1.10 REF			0.043 REF		
M	---	---	10 °	---	---	10 °
N	---	---	10 °	---	---	10 °
S	1.50	1.60	1.70	0.059	0.063	0.067

