

Bias Resistor Transistor

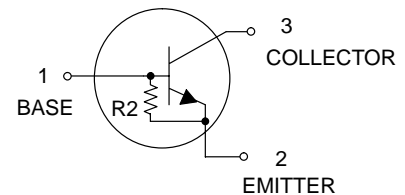
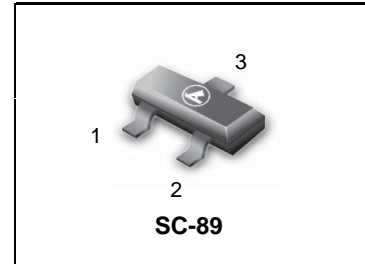
NPN Silicon Surface Mount Transistor with Monolithic Bias Resistor Network

LDTC124GET1G

- **Applications**
Inverter, Interface, Driver

- **Features**
 - 1) Built-in bias resistors enable the configuration of an inverter circuit without connecting external input resistors (see equivalent circuit).
 - 2) The bias resistors consist of thin-film resistors with complete isolation to allow positive biasing of the input. They also have the advantage of almost completely eliminating parasitic effects.
 - 3) Only the on/off conditions need to be set for operation, making the device design easy.

- We declare that the material of product compliance with RoHS requirements.



● **Absolute maximum ratings** (Ta=25°C)

Parameter	Symbol	Limits	Unit
Collector-base voltage	V _{CB0}	50	V
Collector-emitter voltage	V _{CE0}	50	V
Emitter-base voltage	V _{EB0}	5	V
Collector current	I _c	100	mA
Collector power dissipation	P _c	200	mW
Junction temperature	T _j	150	°C
Storage temperature	T _{stg}	-55 to +150	°C

DEVICE MARKING AND RESISTOR VALUES

Device	Marking	R1 (K)	R2 (K)	Shipping
LDTC124GET1G	N9	—	22	3000/Tape & Reel
LDTC124GET3G	N9	—	22	10000/Tape & Reel

● **Electrical characteristics** (Ta=25°C)

Parameter	Symbol	Min.	Typ.	Max.	Unit	Conditions
Collector-base breakdown voltage	BV _{CB0}	50	—	—	V	I _c = 50μA
Collector-emitter breakdown voltage	BV _{CE0}	50	—	—	V	I _c = 1mA
Emitter-base breakdown voltage	BV _{EB0}	5	—	—	V	I _E = 330μA
Collector cutoff current	I _{CB0}	—	—	0.5	μA	V _{CB} = 50V
Emitter cutoff current	I _{EB0}	140	—	260	μA	V _{EB} = 4V
Collector-emitter saturation voltage	V _{CE(sat)}	—	—	0.3	V	I _c = 10mA , I _B = 0.5mA
DC current transfer ratio	h _{FE}	56	—	—	—	I _c = 5mA , V _{CE} = 5V
Emitter-base resistance	R	15.4	22	28.6	kΩ	—
Transition frequency	f _T	—	250	—	MHz	V _{CE} = 10V , I _E = -5mA , f= 100MHz *

* Transition frequency of the device.

LDTC124GET1G

● Electrical characteristic curves

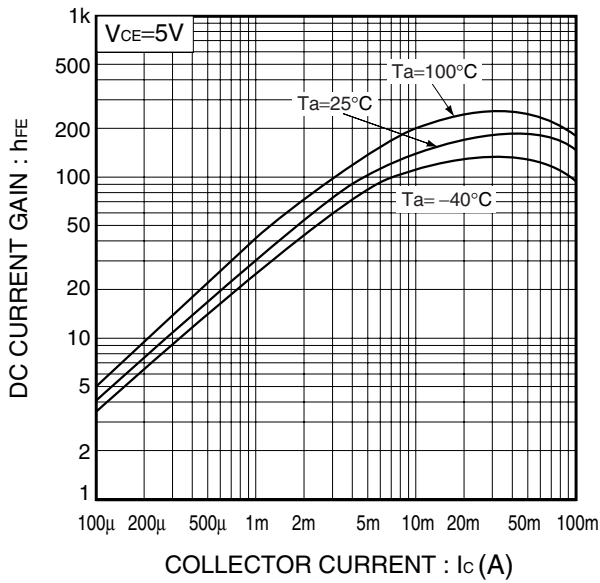


Fig.1 DC current gain vs. Collector current

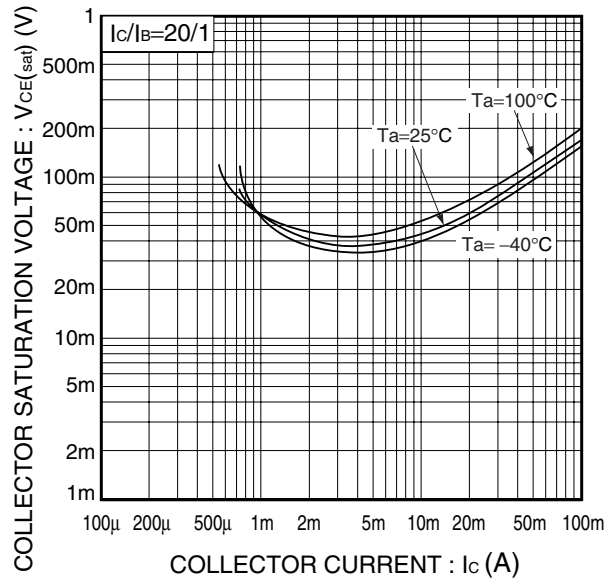
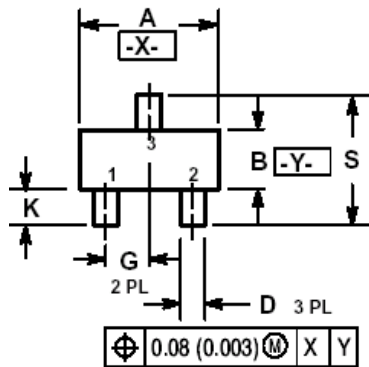
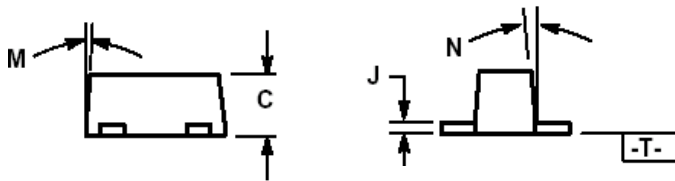


Fig.2 Collector-Emitter saturation voltage vs. Collector current

LDTC124GET1G
SC-89

NOTES:

1. DIMENSIONING AND TOLERANCING PER ANSI Y14.5M, 1982.
2. CONTROLLING DIMENSION: MILLIMETERS
3. MAXIMUM LEAD THICKNESS INCLUDES LEAD FINISH THICKNESS. MINIMUM LEAD THICKNESS IS THE MINIMUM THICKNESS OF BASE MATERIAL.
4. 463C-01 OBSOLETE, NEW STANDARD 463C-02.



DIM	MILLIMETERS			INCHES		
	MIN	NOM	MAX	MIN	NOM	MAX
A	1.50	1.60	1.70	0.059	0.063	0.067
B	0.75	0.85	0.95	0.030	0.034	0.040
C	0.60	0.70	0.80	0.024	0.028	0.031
D	0.23	0.28	0.33	0.009	0.011	0.013
G	0.50 BSC			0.020 BSC		
H	0.53 REF			0.021 REF		
J	0.10	0.15	0.20	0.004	0.006	0.008
K	0.30	0.40	0.50	0.012	0.016	0.020
L	1.10 REF			0.043 REF		
M	---	---	10 °	---	---	10 °
N	---	---	10 °	---	---	10 °
S	1.50	1.60	1.70	0.059	0.063	0.067

