

- (√) Preliminary Specification
() Final Specification

BACKLIGHT SPECIFICATION

Product's Name: [LED43E](#)
Customer's Model NO:

For Customer's Acceptance Customer's Name:	
Approved by	Comment

Approved by	Checked by	Designed by

CONTENTS

RECORD HISTORY	-----3
1. General Description	-----4
1.1 Overview	
1.2 Available OpenCell Ass'y	
2. BACKLIGHT Configuration	-----6
2.1 Factory Standard Configuration	
2.2 Other available configurations	
3. Reilability Test	-----6
4. Package Specification	-----7
5. Mechanical Drawing	-----8
6. Impression Drawing	-----9

Record of Revision

Version NO.	Revise Date	Page	Description
0.0	2016/ 03/ 20	-	Preliminary Specification(First Draft)

1. General Description

1.1 Overview

This specification applies to of the whole machine.

Technology Co.,Ltd, ELED430L06E1 backlight module

1.2 Available OpenCell Ass'y

No.	Manufacturer	Model	Specifications	Transmition	Remarks
1	LG	LC430DUY-SHM1	FHD		
2	LG	LC430DUY-SHA1	FHD		
3	LG	LC430EGY-SHM1	FHD		
4	LG	LC430EGY-SJM1	FHD		
5	LG	LC430DUY-SHA2	FHD		
6	BOE	HV430FHB-N40	FHD		
7	BOE	HV430QUB-N8A	FHD		
8	BOE	HV430FHB-N4A	FHD		
9	CSOT	ST4251B01-1	FHD		
10	SUMSANG	LSC430HN01	FHD		
11	SUMSANG	LSC430HQ01	FHD		
12	SUMSANG	LSC430HW01	FHD		
13	AUO	T430QVR01V1	FHD		
14	AUO	T430QVN02V1	FHD		
15	AUO	T430QVN01V08	FHD		
16	AUO	T430QVN01V0	FHD		
17	AUO	T430QVN01V2	FHD		
18					
19					
20					
21					
22					
23					
24					

The above information is only for reference, please take the material as the standard.

2 .BACKLIGHT Configuration

2.1 Factory Standard Configuration

标准配置方案: 4*22*2 (4014 90mA) + 两扩一增

2.1.1 BACKLIGHT Electric Parameter(背光电气参数)

Parameter	Symbol	Value			Unit	Note
		Min.	Typ.	Max.		
BLU Voltage	U	66	--	72.6	V	IL =90mA
BLU Power	P		53	--	W	IL =90mA
BLU Current	I	--	700	720	mA	
BLU lifetime	T	30000			h	(1)

Note (1) The lifetime is defined as the time which luminance of the LED decays to 50% compared to the initial value, Operating condition: Continuous operating at $T_a = 25 \pm 2^\circ\text{C}$, $I_L = 330\text{mA}$

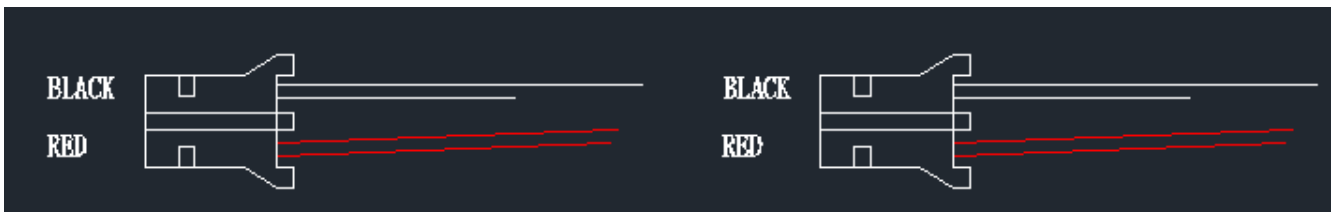
2.1.2 BACK LIGHT Electrical Circuit (背光电路)



PER LED light bar circuit is(4)Parallel (22)Series, Backlight circuit is(1)Parallel (18)Series

2.1.3 Backlight UNIT Connector Definition (背光接口)

Backlight Input connector model: PHR-2(JST) PITCH2.0mm *2 (一路 PH2.0 2pin 插头)

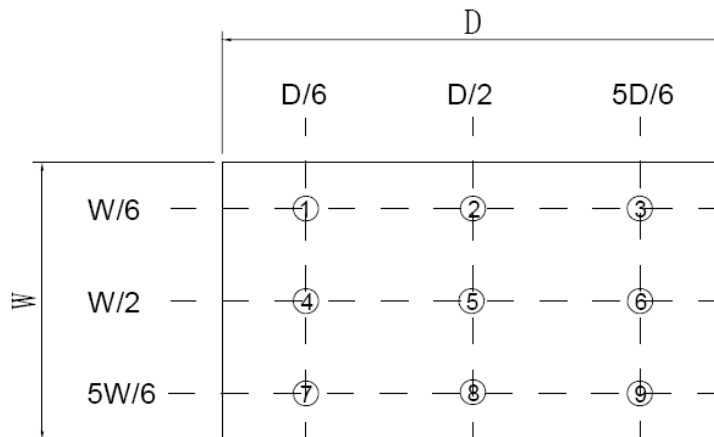


2.1.4 BACKLIGHT Optical Characteristics (背光光学参数)

项目	符号	最小值	典型值	最大值	单位	测试条件
电压	Vf	66	--	72.6	V	If= 720mA
电流	Ir	--	700	720	mA	If= 720mA
中心点亮度	Lv	--	6000	--	cd/m ²	If= 720mA
均匀性	U	--	75	--	%	
色坐标	X	0.225	0.255	0.385		IF=330mA Ta=25℃ Each chip
	Y	0.200	0.220	0.250		

- 注 1: 测试条件: 1) 时间: 点亮 5 分钟后;
 2) 测试环境: 暗室 (10Lux 以下)
 3) 辉度、色坐标测试点: 见下图
 4) 光学特性测试点图

注 2: 均匀性 $\Delta I = (I_{MIN} \div I_{MAX}) \times 100\%$

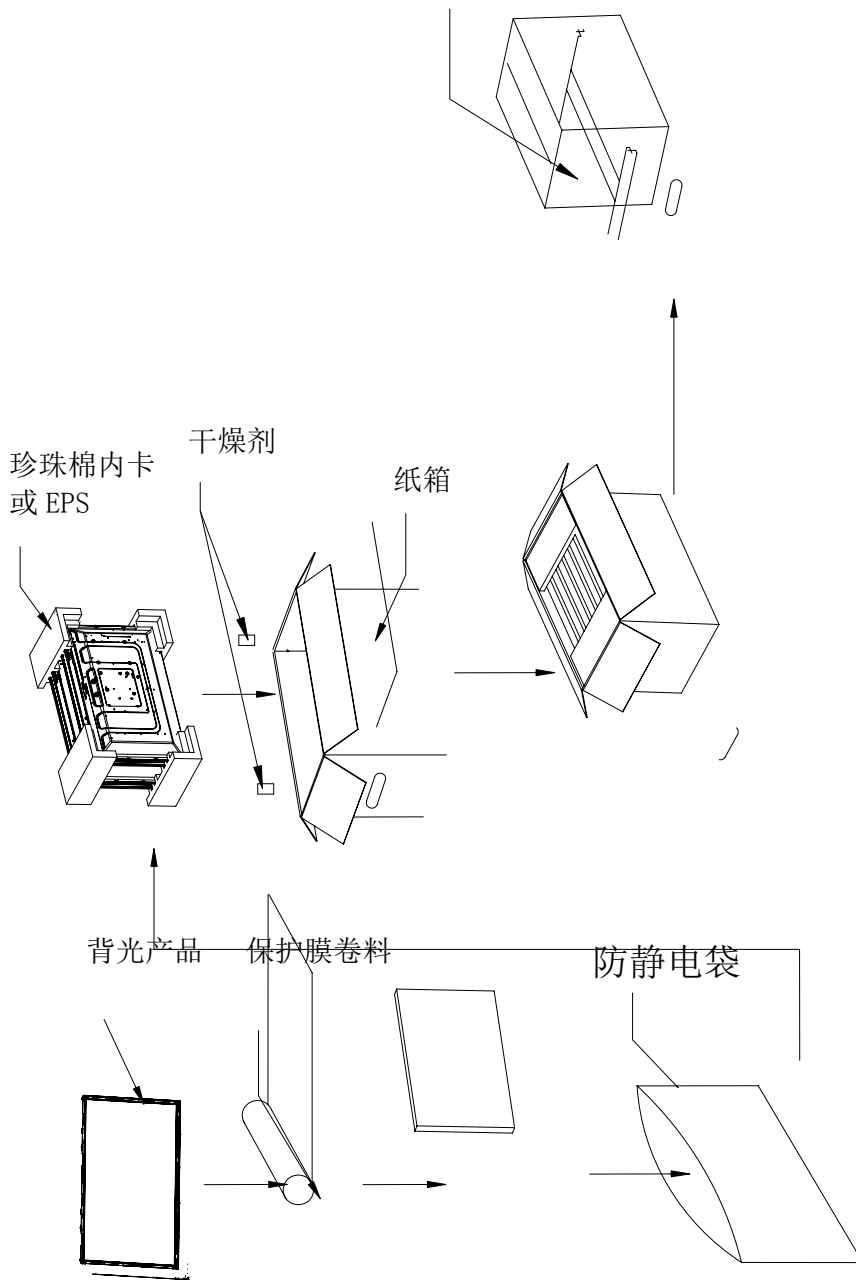


3. Reliability Test

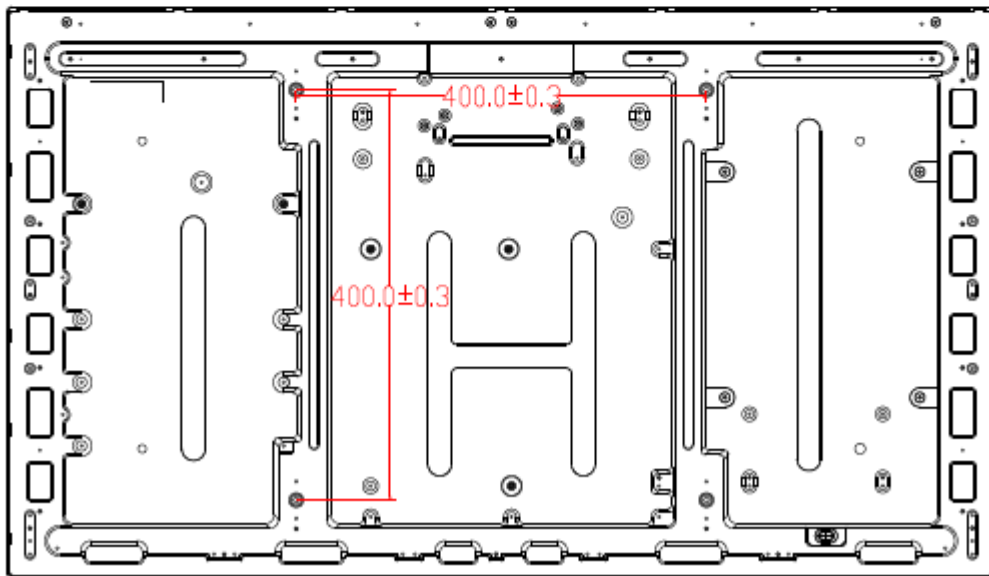
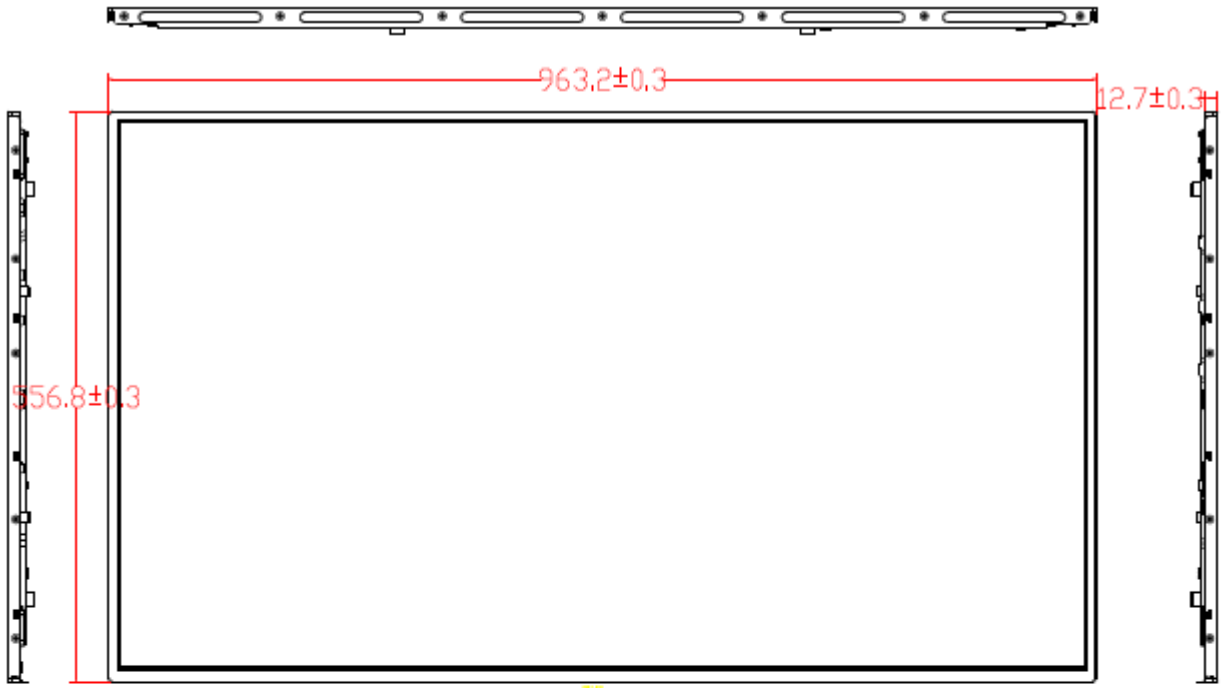
	Test Item	Q'ty	Condition
1	High temperature storage test	3	60℃,300hrs
2	Low temperature storage test	3	-20℃,300hrs
3	High temperature operation test	3	50℃,300hrs
4	Low temperature operation test	3	-5℃,300hrs
5	Drop test (With carton)	3	Height: 50cm 1 corner, 3 edges, 6 surfaces (ASTMD4169-I)

4. Package Specification

1 个纸箱装满共 4PCS 产品



5.Mechanical Drawing



6. Impression Drawing

